
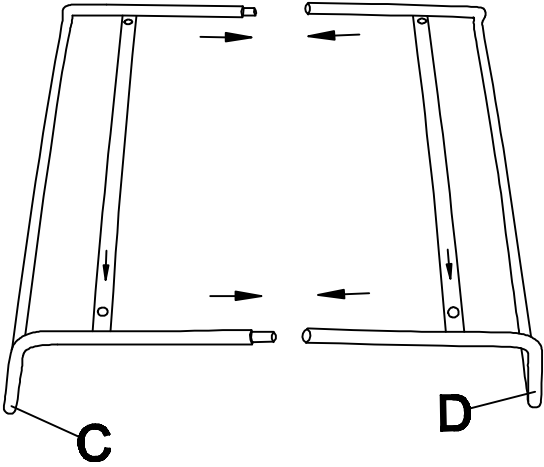
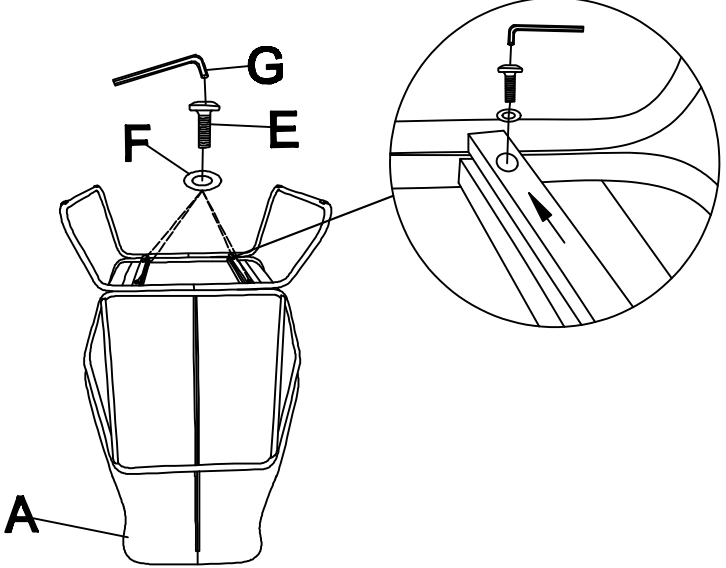

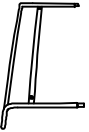
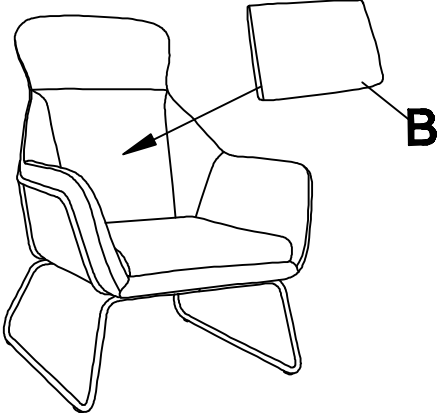
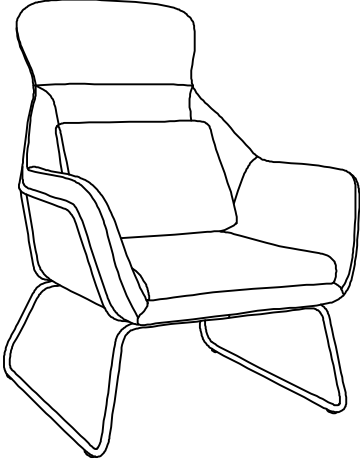
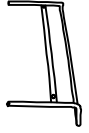
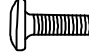



# ASSEMBLY INSTRUCTION

<< Before assembling, read all the instruction >>

<b>A×1</b> 	<b>1</b> 	<b>2</b> 
<b>B×1</b> 		
<b>C×1</b> 	<b>3</b> 	<b>4</b> 
<b>D×1</b> 		
<b>E×4</b> 		
<b>F×4</b> 		
<b>G×1</b> 