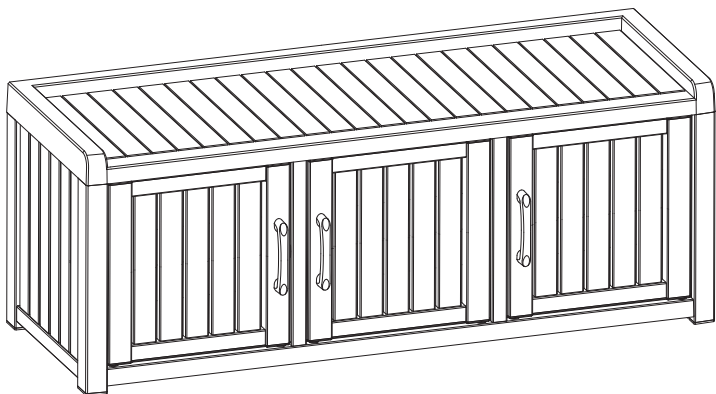


ASSEMBLE INSTRUCTIONS



IMPORTANT

Once installed, the product cannot be detached. Strictly follow each step in the installation manual.

- Gather and organize all required parts prior to assembly. If you have any problems or discover any missing parts, please contact customer service.
- Some parts may contain sharp edges. Wear protective gloves if necessary during assembly.

CARE & SAFETY

- Assemble on a flat, clean and soft surface.
- In case of fire, do not attempt to extinguish any burning polypropylene with water.
- Wear safety-goggles and always follow the manufacturer's instructions when using power tools.
- During installation, please refer to the accessories guide to ensure that they are installed in the correct directions.
- Do not stand on the lid.

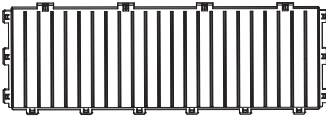
PARTS LIST



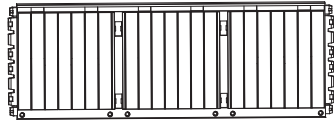
A(X3)



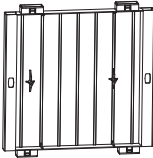
B(X2)



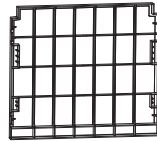
C(X1)



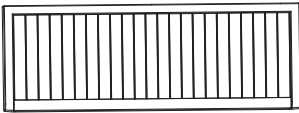
D(X1)



E(X2)



F(X2)



J(X1)




(X6)

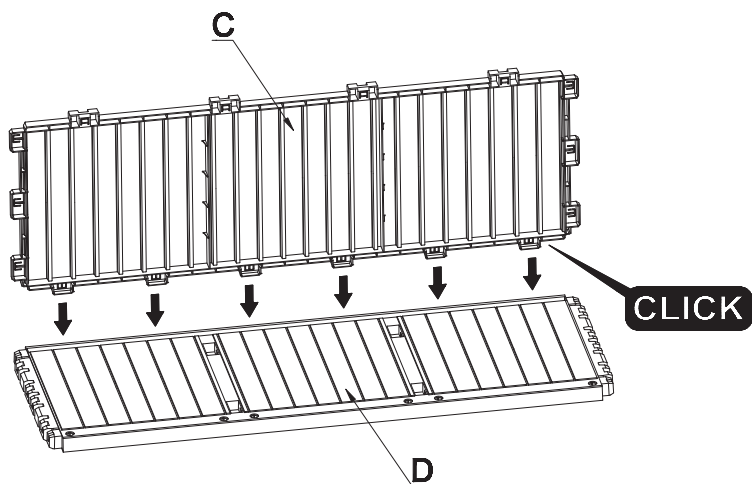


(X3)

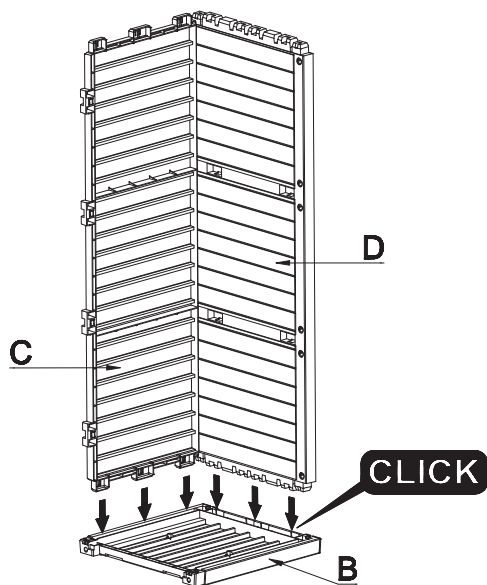


**M4x19mm
(X6)**

1  C(X1)  D(X1)

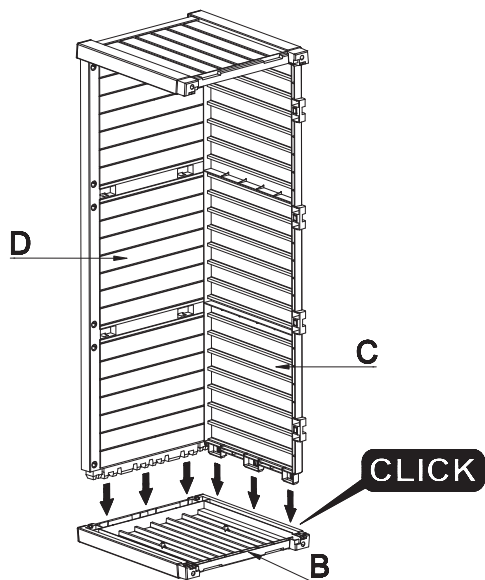


2  B(X1)

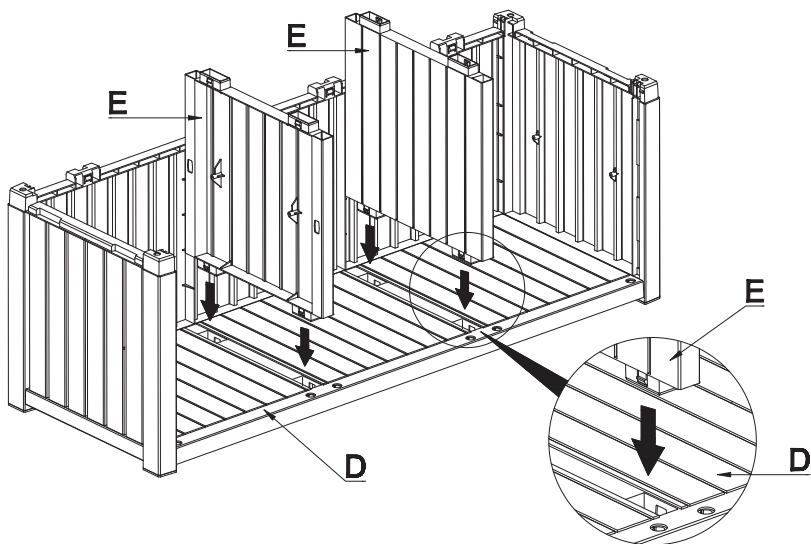


3

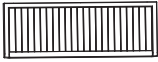
3  B(X1)



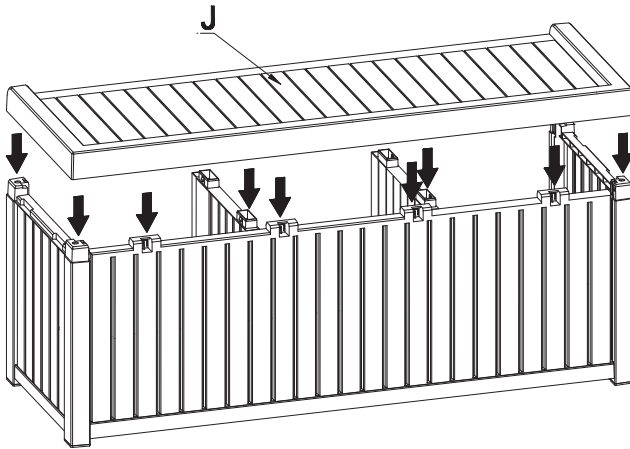
4  E(X2)



5



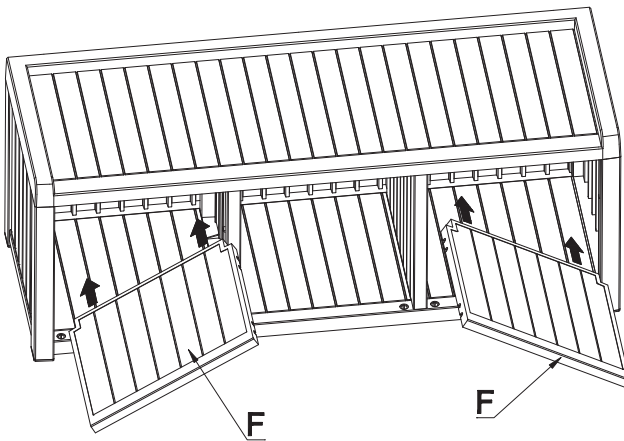
J(X1)



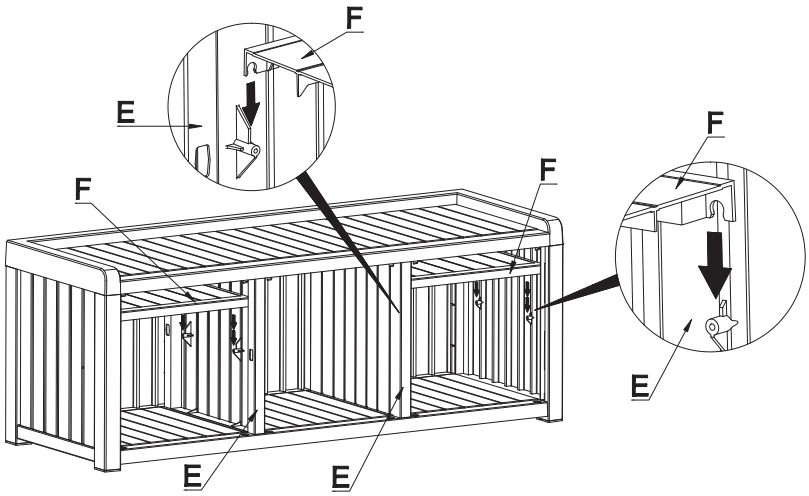
6



F(X2)



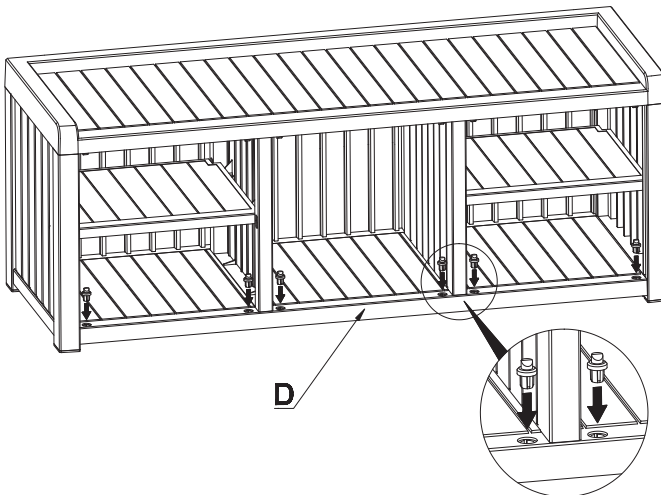
7



8



(X6)



9



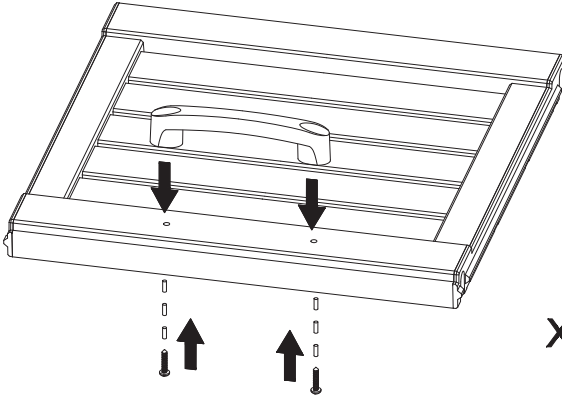
A(X3)



(X3)



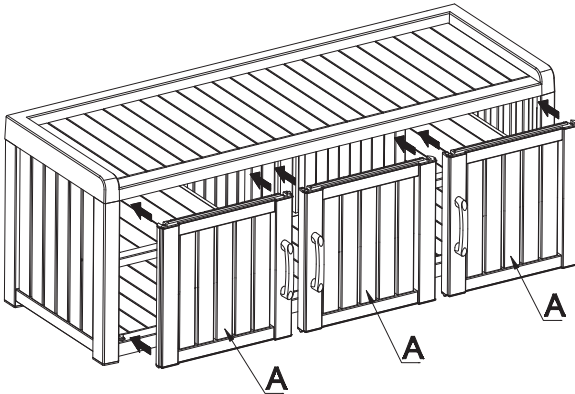
M4x19mm
(X6)



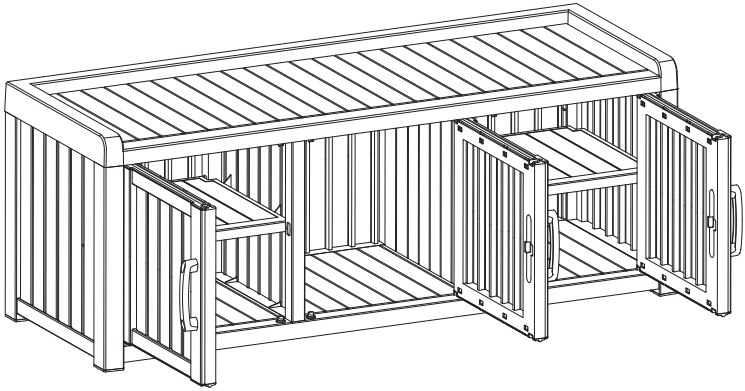
10



A(X3)



11



12

