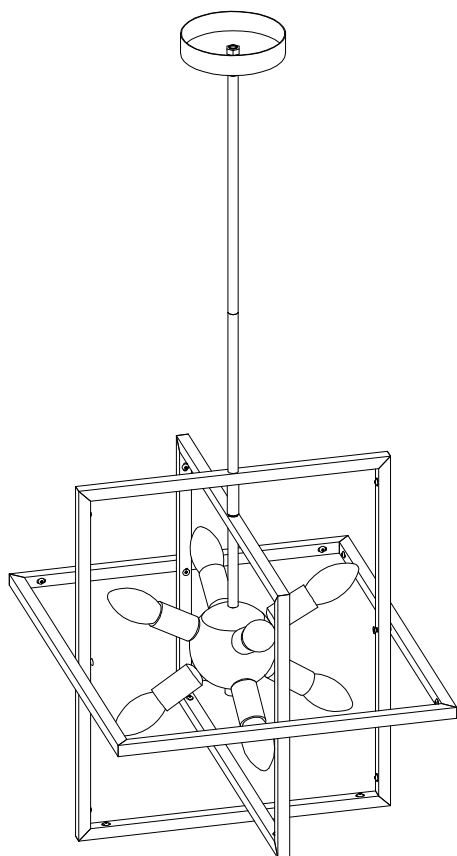


outline drawing:



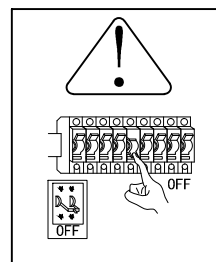
model:

Technical data: Power supply voltage 110-120V, bulb type E12Max40Wx8PCS (not included)

CAUTION



- Before installing the lighting fixtures, please check the insulation of the wires for any cuts, wear, or possible damage during transportation. If the wires are defective, do not attempt installation .
- In some countries, electrical installation work can only be carried out by authorized electrical contractors. Please contact the local power department for advice.



IMPORTANT Before starting the installation work, please make sure to cut off the power supply to the circuit.

IMPORTANT Keep children away from the installation process .

Required tools (not included):



Ladder

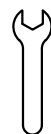


Phillips
screwdriver



pincers

Required tools (including):

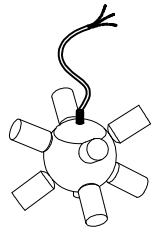


Hex
Wrench



glove

The hardware kit provides:



Lights, Ancient



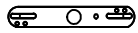
mounting screw



Hanging plate screws



CONNECTORS



Installation board



Middle tube



long Middle tube



tray



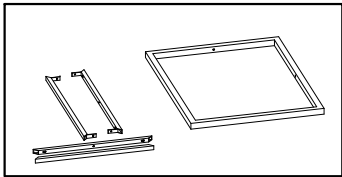
Universal joint



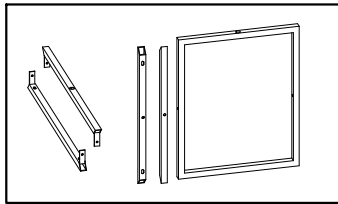
Short middle tube



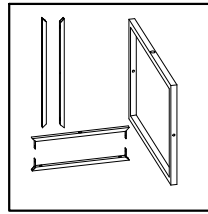
Water pipes



Decorate A-frame



Decorate B frame



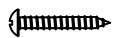
Decorate C-frame



cable tie



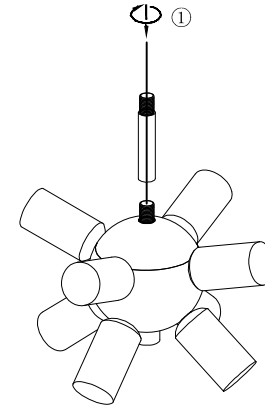
Gecko rubber stopper



Self tapping screws

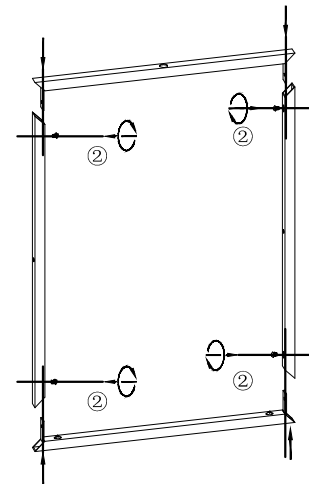
• The components displayed on each lamp may vary slightly

Step 1



① Tighten the short middle tube to the light and ancient connections.

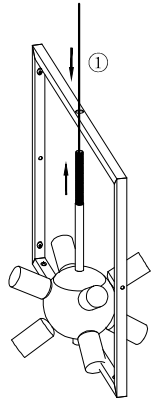
Step 2



① Take out all the decorative tubes from the packaging and place them on the tabletop, then separate them into the same ones and place them together.

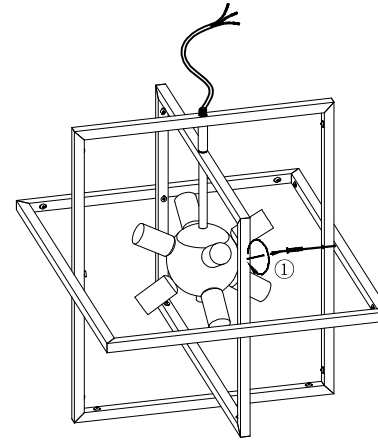
② Insert the decorative tube with an L-shape into the decorative tube without an L-shape, lock it with screws, and follow this step for the rest.

Step 3



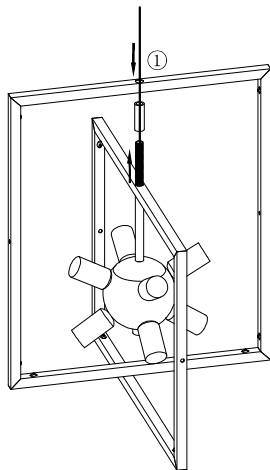
① Thread the dental canal through the large hole on the decorative C-frame.

Step 5



① Thread the screws through the decorative frame B, connect the small holes on the decorative frame C to the threaded holes on the decorative frame A.

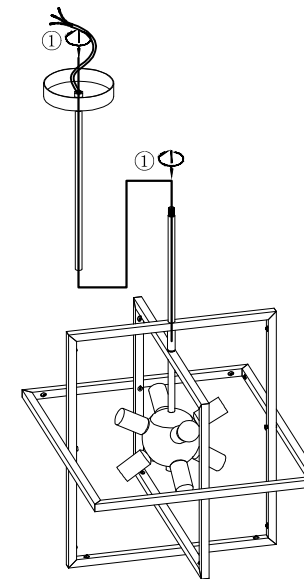
Step 4



① Thread the dental canal through the water pipe and insert it into the large hole of the decorative B-frame.

5

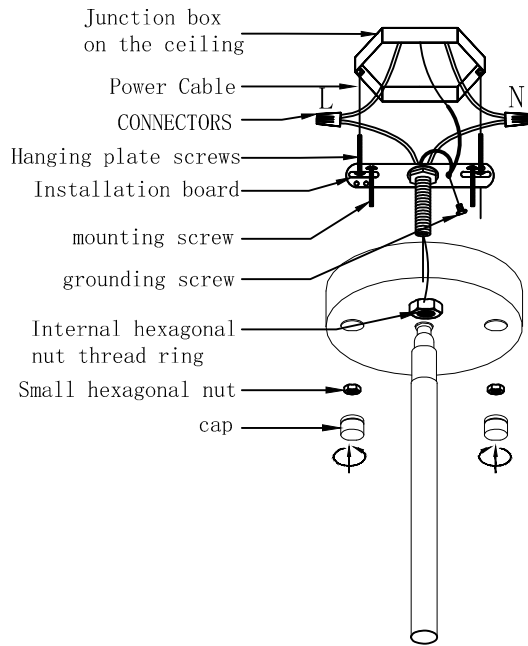
Step 6



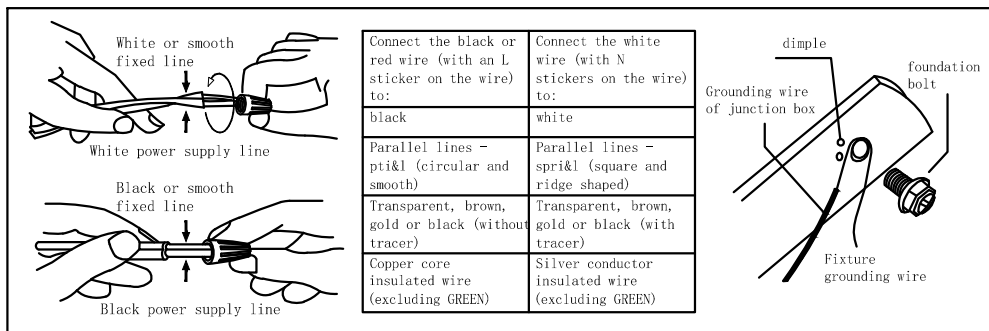
① Connect and tighten the long and middle pipes, universal joints, and discs.

6

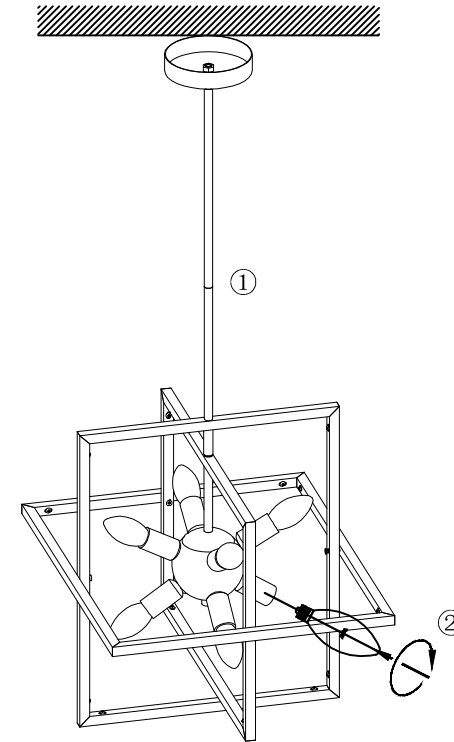
Step 7



- ① Thread all the wires through the canopy and installation kit.
- ② Connect the power cable with two cable connectors.
- ③ Connect the grounding wire and tighten it with the grounding screw.
- ④ Install the fixing screws into the mounting plate, install the installation unit under the junction box, and tighten with two mounting screws.
- ⑤ Fix the canopy in place using a suspension ring. Tighten the screw ring and hex nut with a wrench to tighten the hex nut.
- ⑥ Tighten the fixing screws on the rain shelter holes.
- ⑦ Tighten the cap tightly.



Step 8



- ① The installation of medium pipes and long medium pipes can be adjusted according to the height of the house.
- ② Tighten the light bulb (E12 maximum 40W, not included).