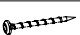


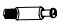






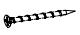
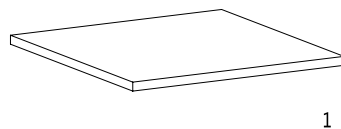


ASSEMBLING INSTRUCTIONS

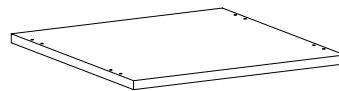
- 1.WARNING:Read all the instructions before assembly.
- 2.WARNING:Periodically check to ensure that all the components are in their proper position, free from damage, and that all connections are tight.
- 3.WARNING:Do Not substitute parts, contact the manufacturer or dealer for replacement parts.
- 4.WARNING:Keep these instructions for further reference.
- 5.WARNING:Check component list and product before assembly. Make sure all the components were included. Call our customer service if missing.
- 6.WARNING:Check all components were installed as instruction.
- 7.WARNING:Not for Sitting.

PARTS LIST SOFA SIDE TABLE

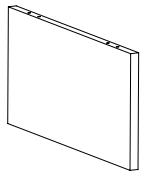
A			4pcs/1pc
B			8pcs
C			8pcs
D			4pcs
E			4pcs
F			4pcs
G			20pcs
H			1pc
I			12pcs
J			4pcs



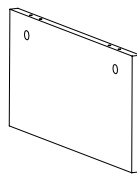
1



2



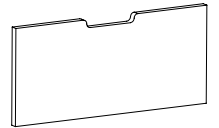
3



4



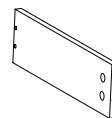
5



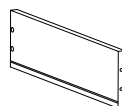
6



7



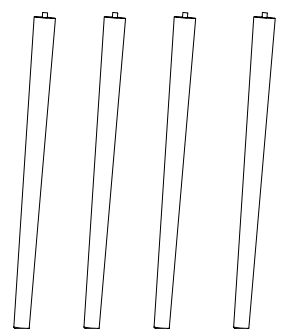
8



9

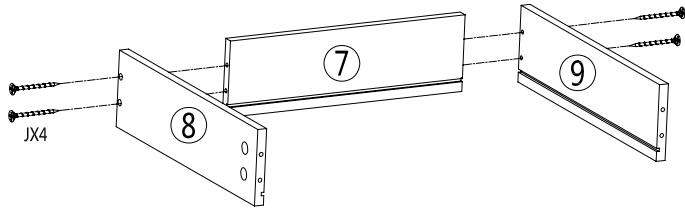


10

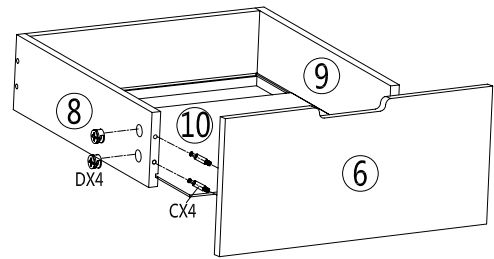


11

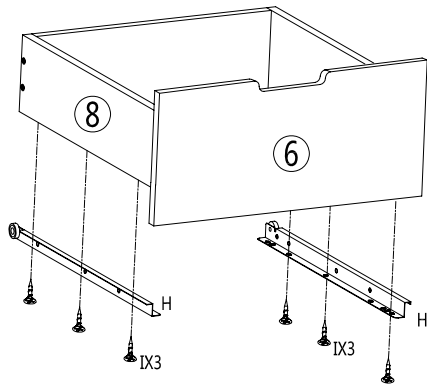
1 Use screw J to fix drawer side board 8 and 9 with drawer back board 7



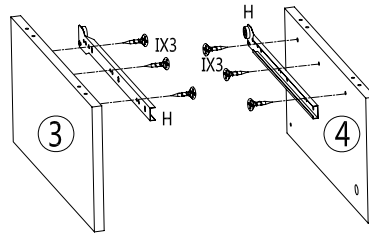
2 Slide drawer bottom board 10 along slot between drawer side board 8 and 9. Use screw C and screw bolt D to fix drawer front board 6 with step 1 parts



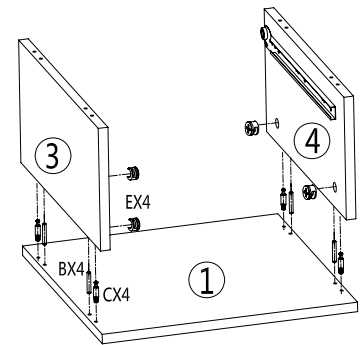
3 Use screw I to fix drawer rail H with step 2 parts



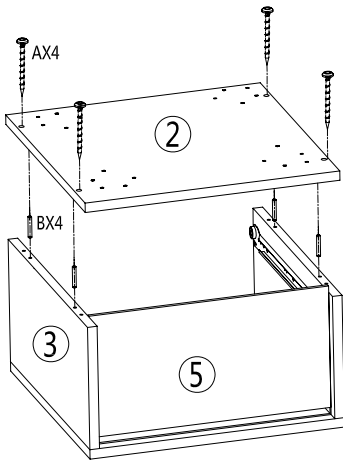
4 Use screw I to fix drawer rail H with side board 3 and 4



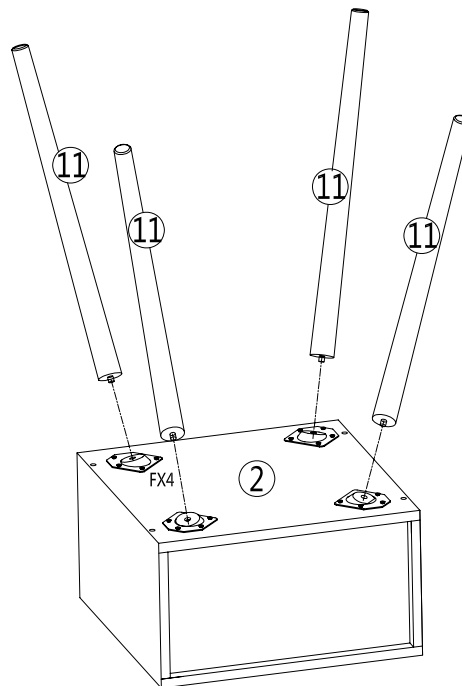
5 Use wood plug B, screw C and screw bolt D to fix side board 3 and 4 with top board 1



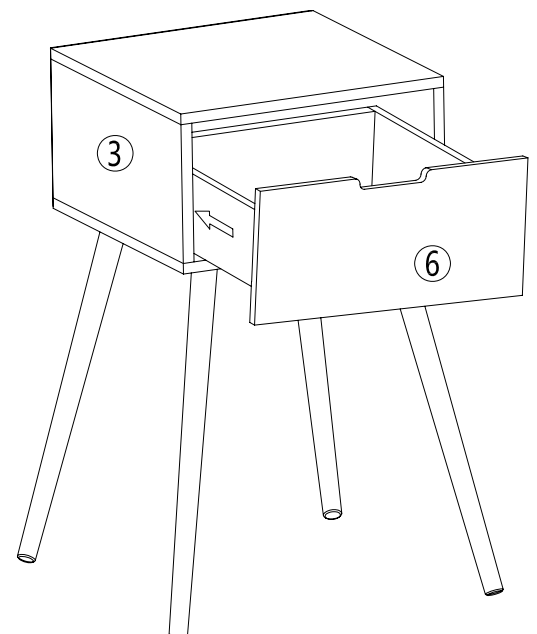
6 Insert back board 6 along slot between side board 3 and 4. Use plug B and screw A to fix bottom board 2 with step 5 parts



8 Plug legs 11 into step 7 parts



9 Insert step 2 parts along slide rail into cabinet



7 Use screw G to fix metal back-up plate F with bottom board 2

