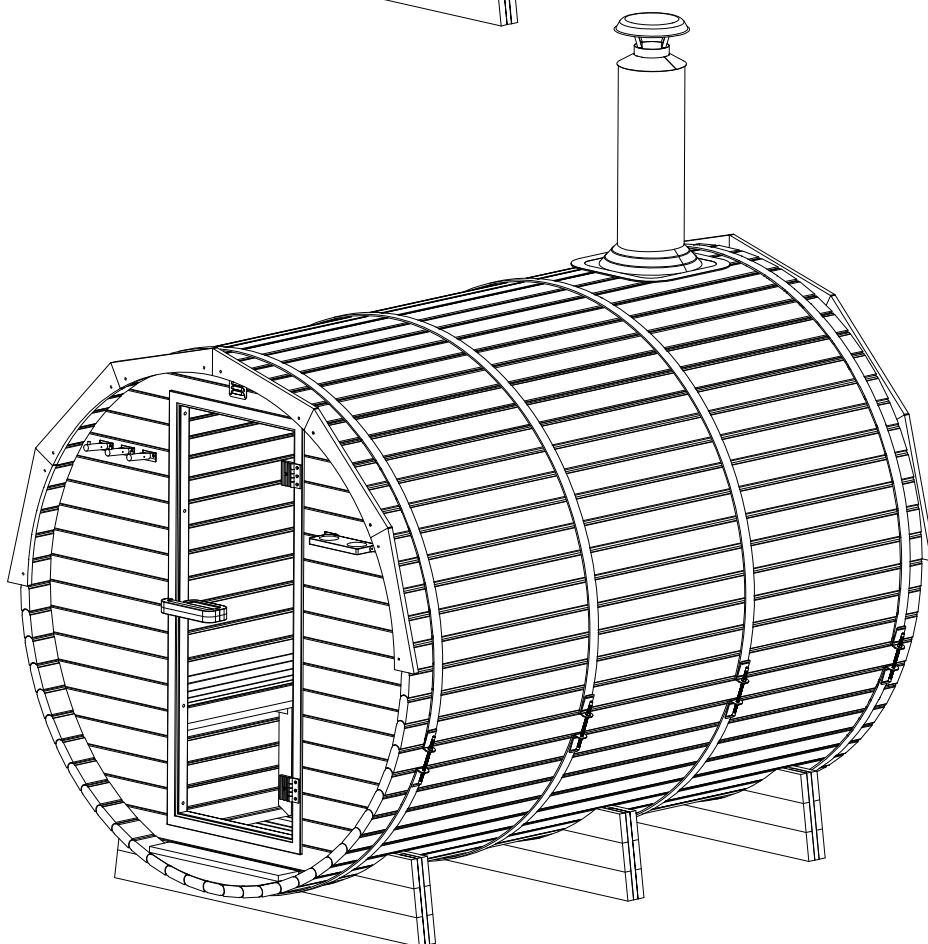
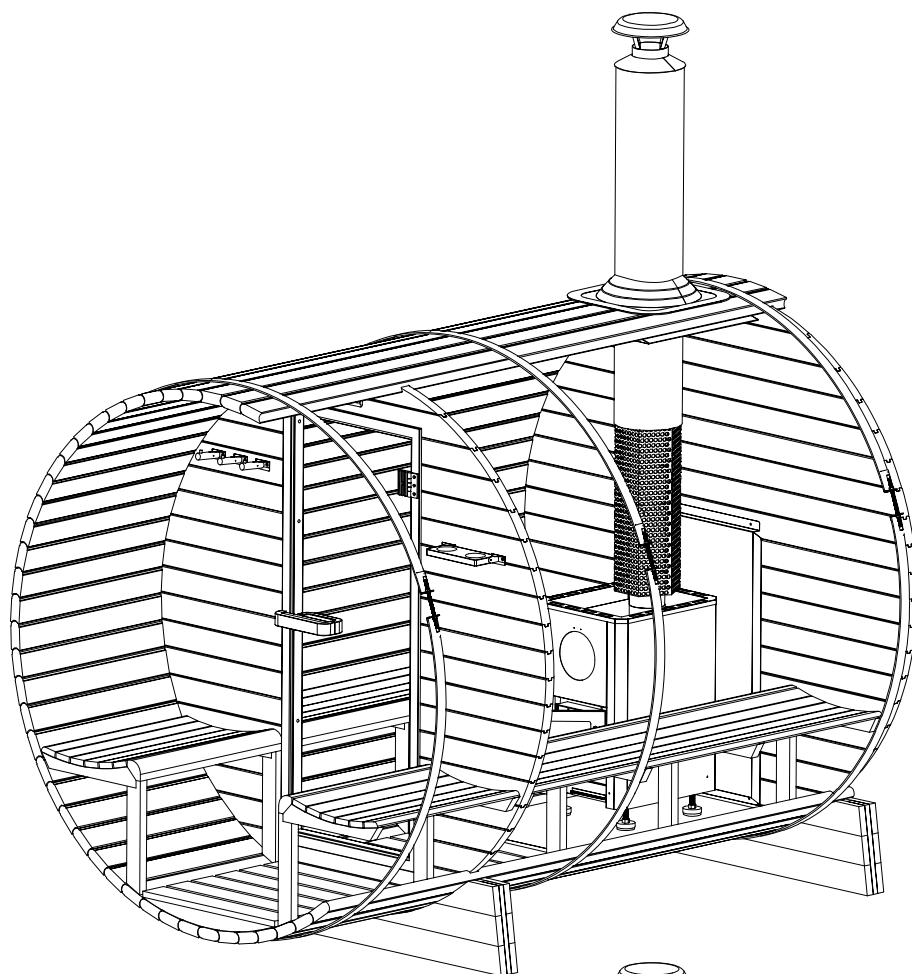
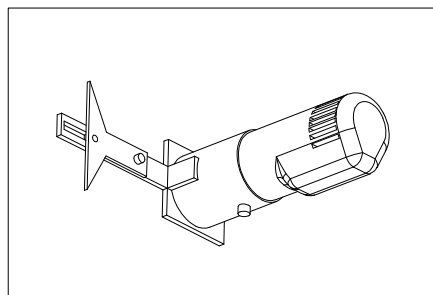
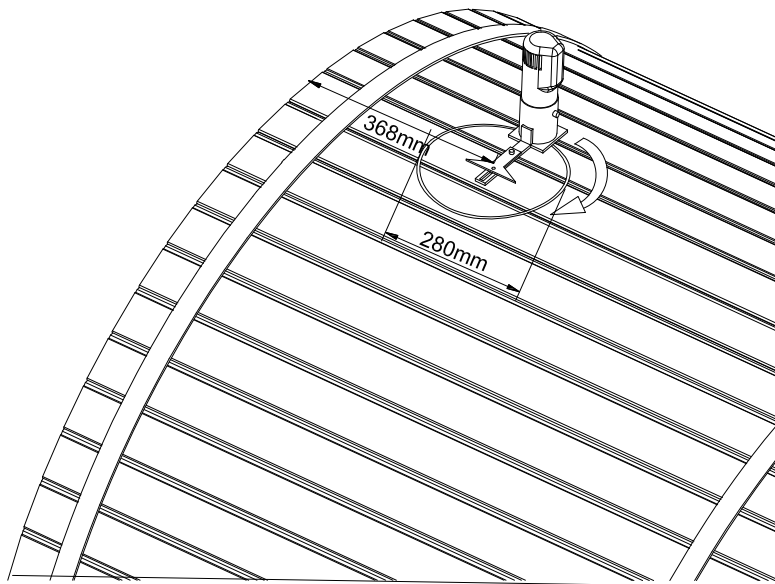


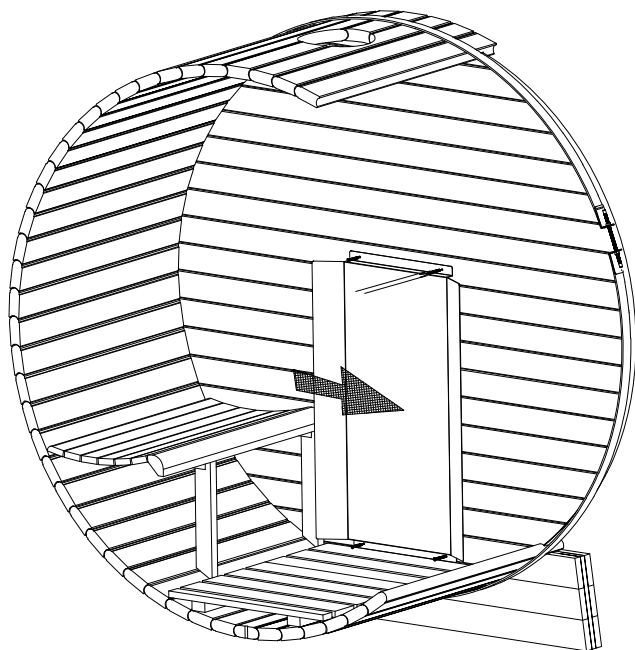
The installation example for Internal wood-burning heater



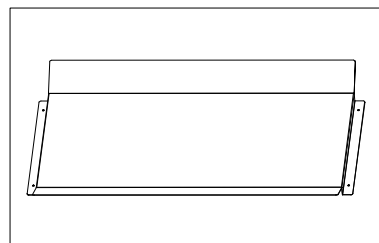
1.



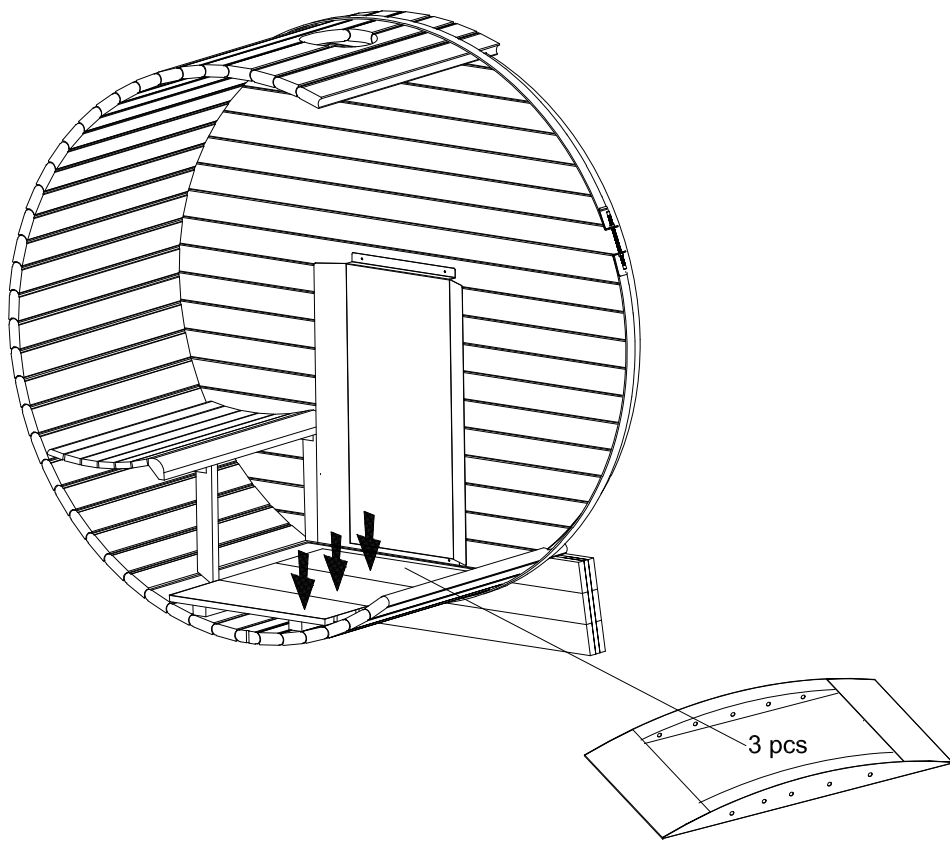
2.



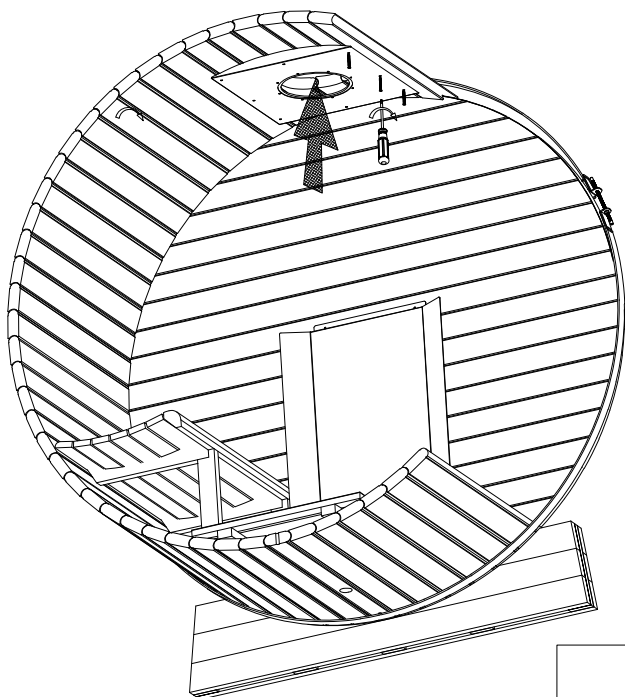
木螺丝 M4X35mm (4 sets)



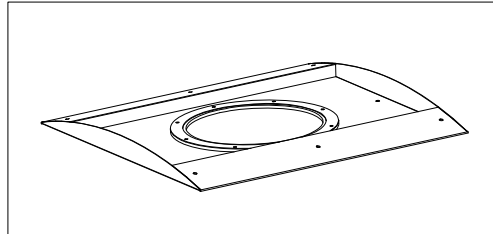
3.



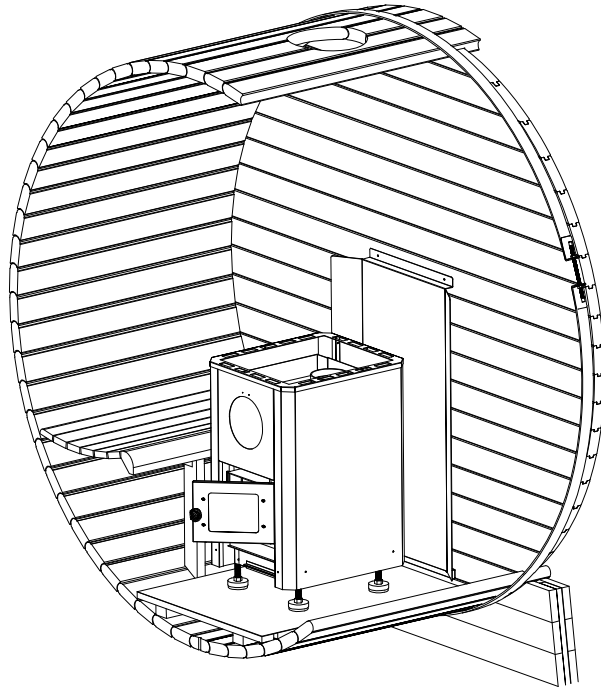
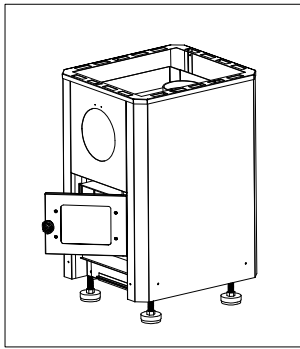
4.



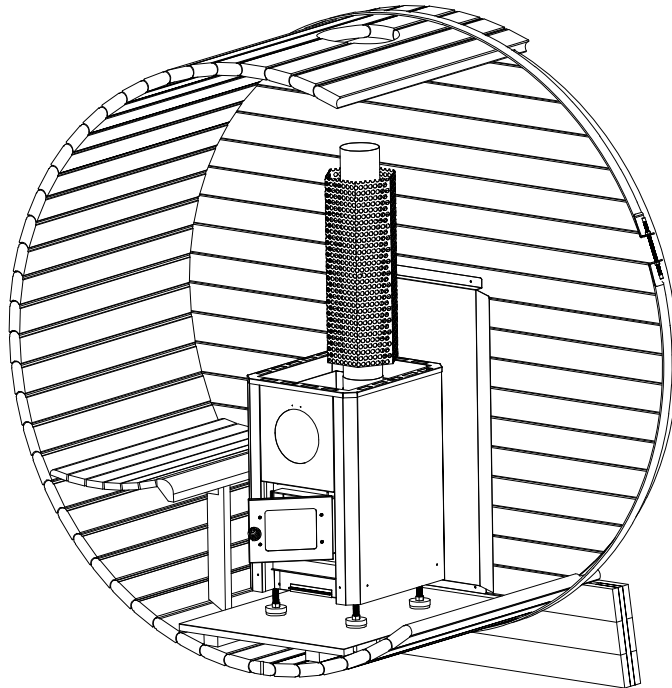
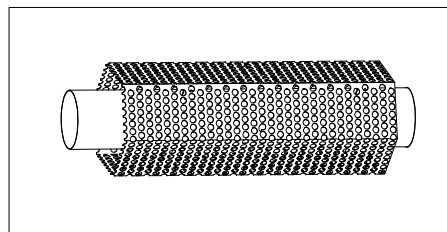
Wood screws
M4X35mm (6 sets)



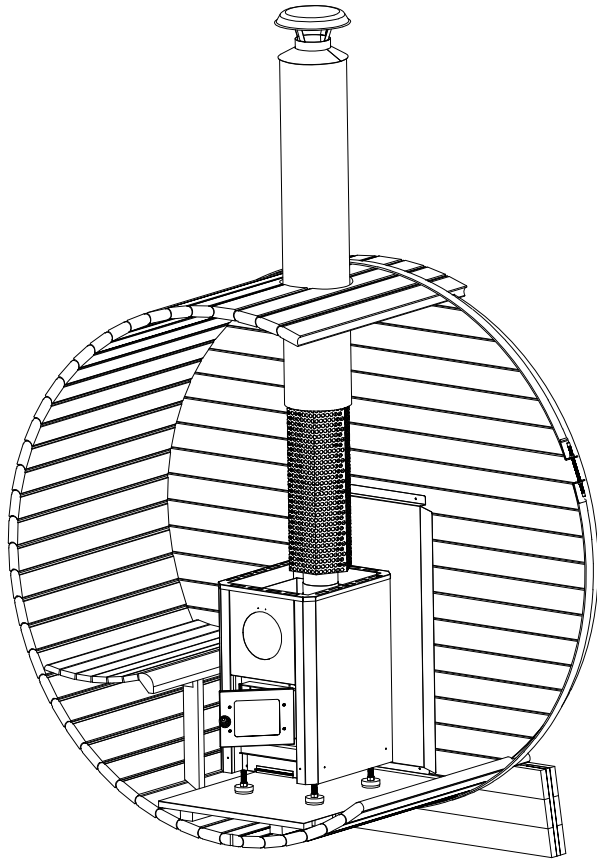
5.



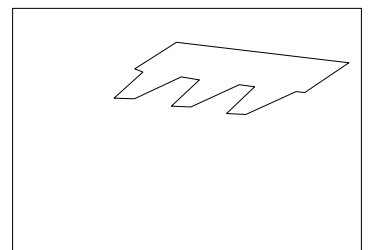
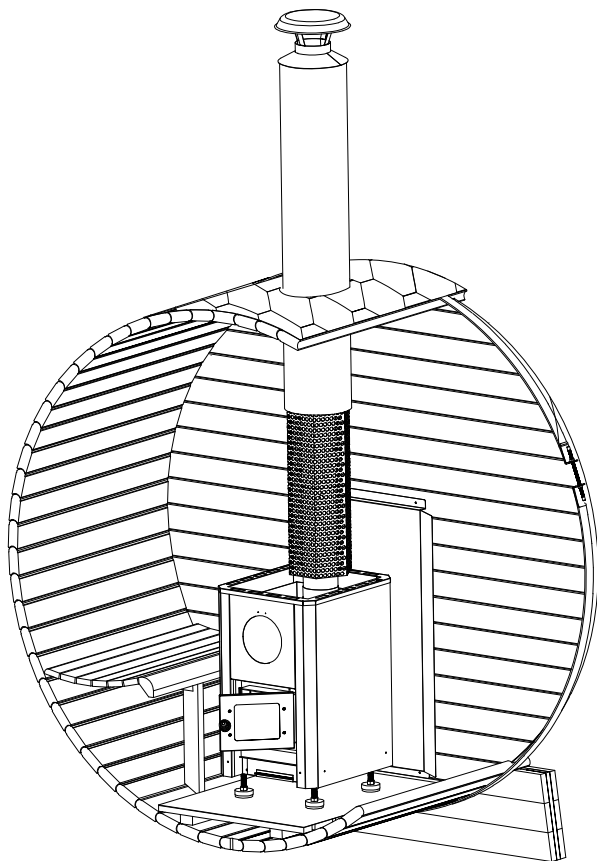
6.



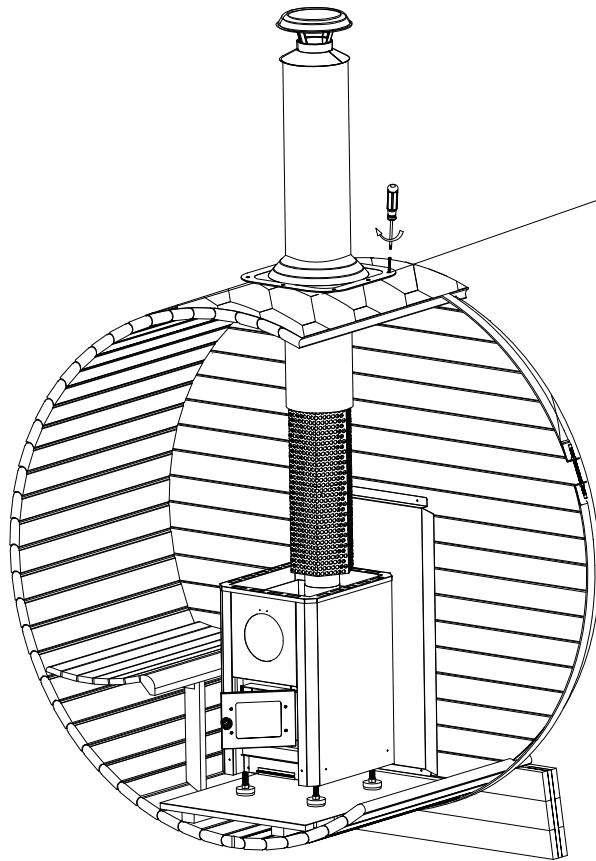
7.



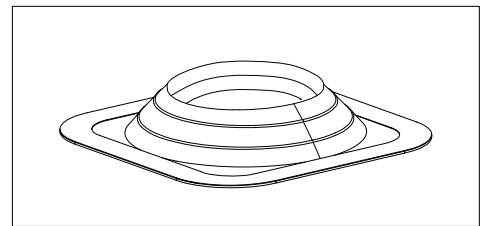
8.



9.



Wood screws
M3.2X35mm (8 sets)



10.

Customer need to purchase
glue in local market

Make a circle of waterproof
sealing silicone

