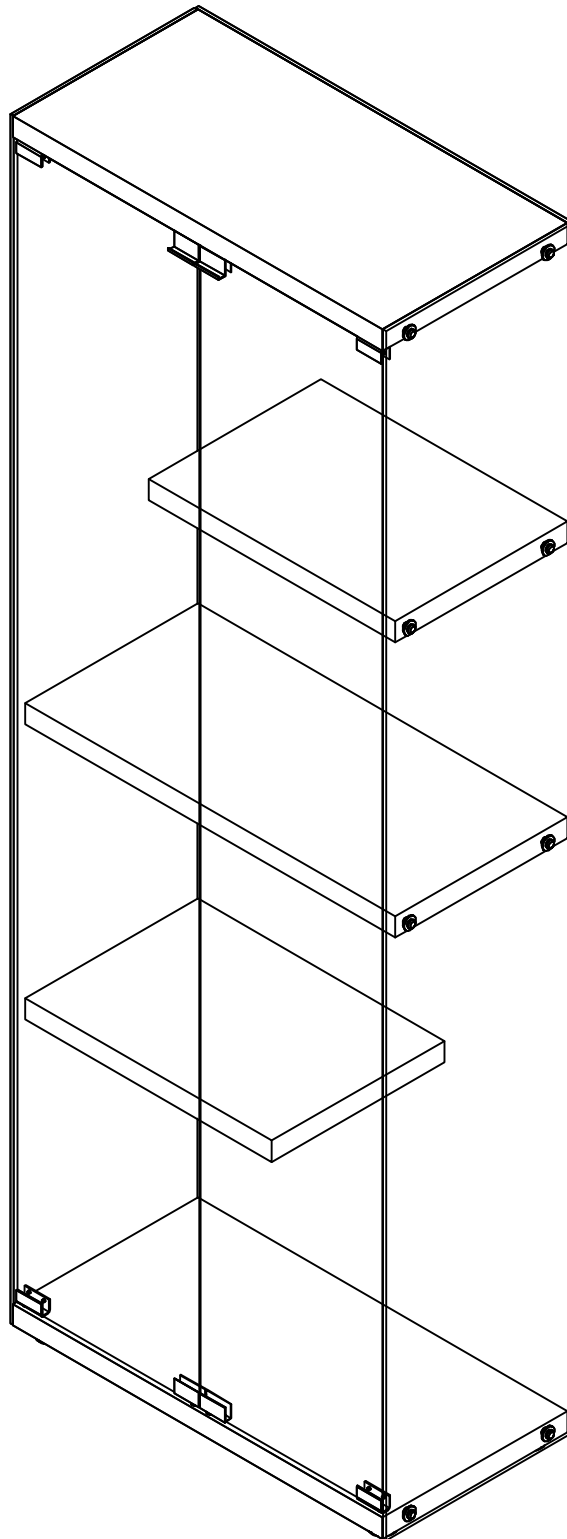
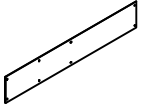

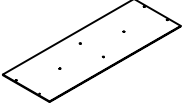
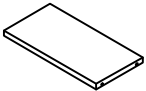

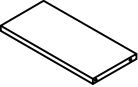

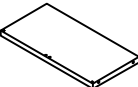




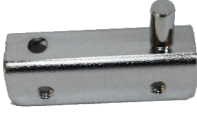
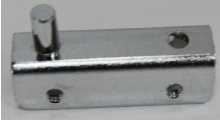





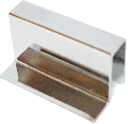
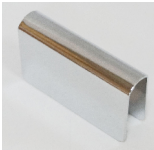
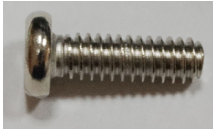
ASSEMBLY INSTRUCTIONS





ASSEMBLY INSTRUCTIONS

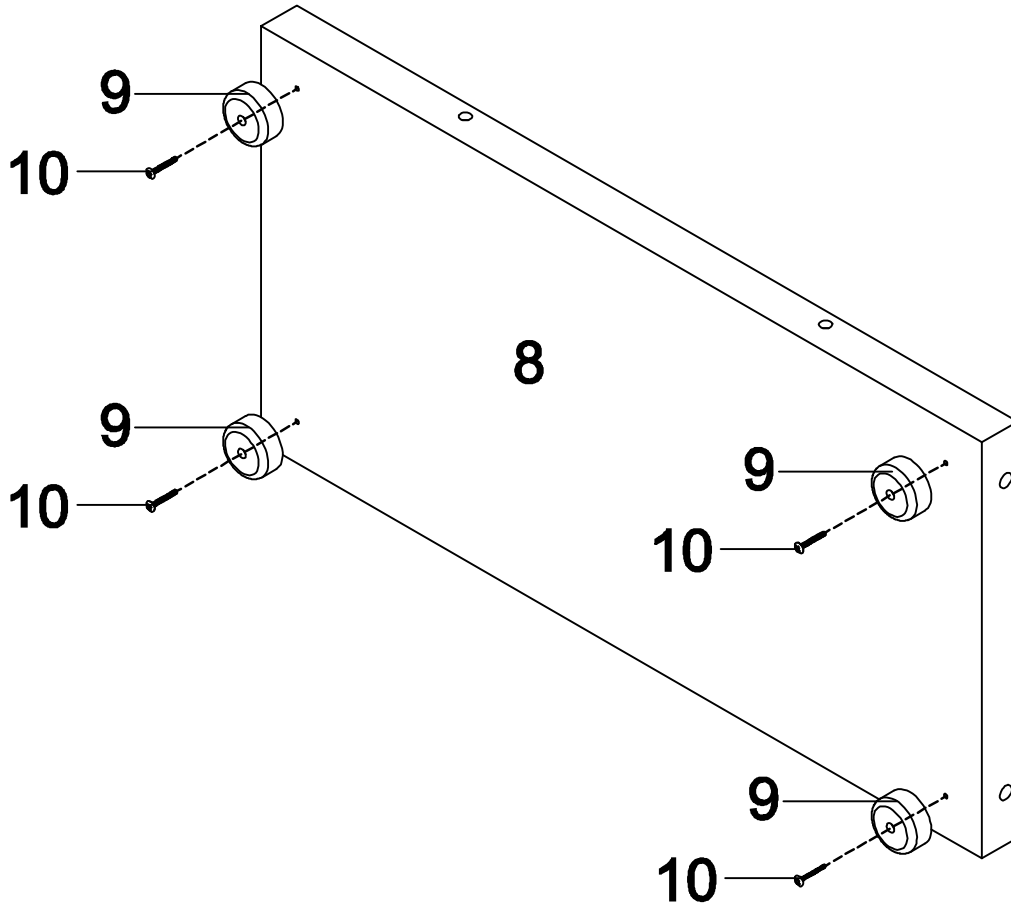
**Please identify and locate all assembly parts (see parts list) before discarding any packing materials.
Some parts may have become loose during transit.**

PARTS LIST			
NO.	SKETCH	DESCRIPTION	QYT
1		SIDE GLASS	2PCS
2		DOOR GLASS	2PCS
3		BACK GLASS	1PC
4		SHELF A	1PC
5		SHELF B	1PC
6		SHELF C	1PC
7		SHELF D	1PC
8		SHELF E	1PC
9		PLASTIC FEET	4PCS
10		SCREW	4PCS

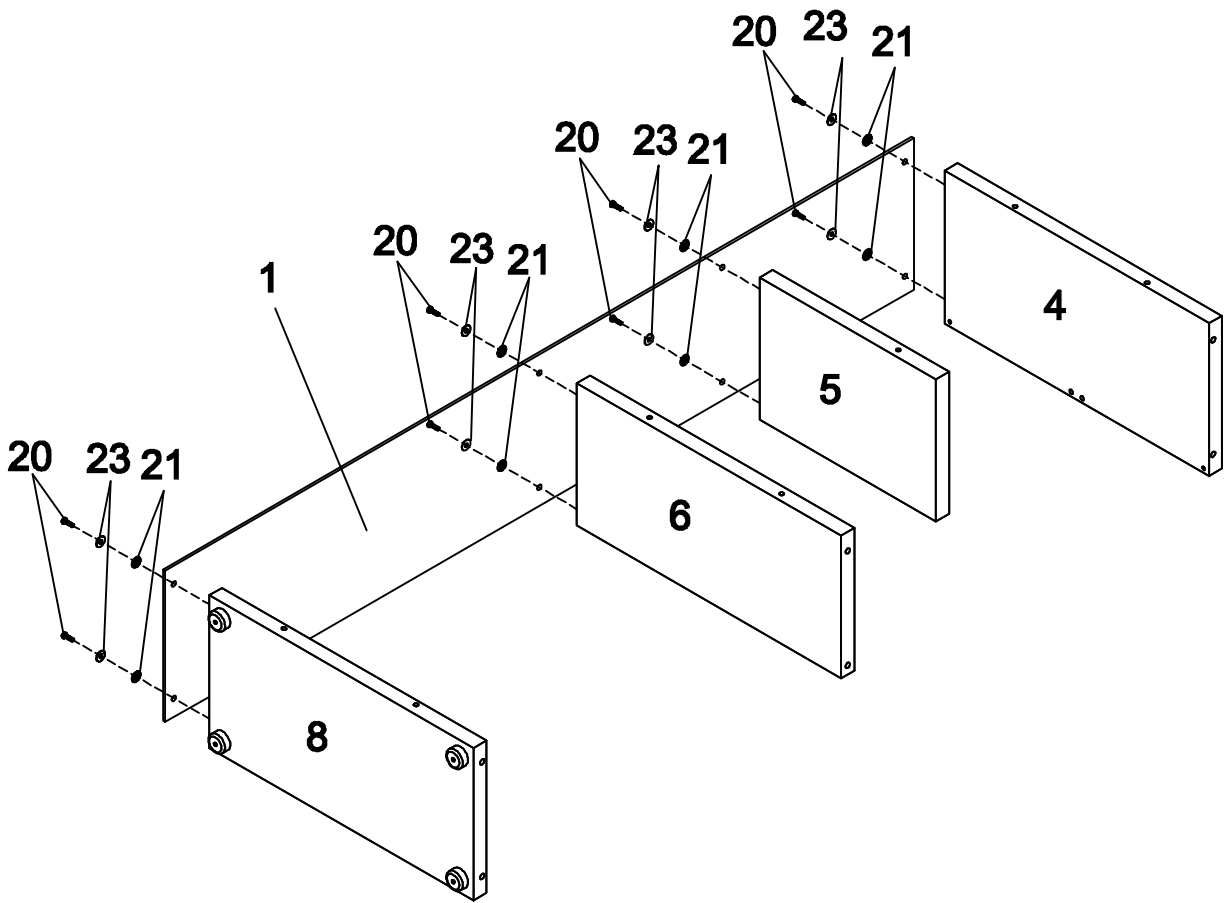
PARTS LIST			
NO.	SKETCH	DESCRIPTION	QYT
11		HINGE A	2CPS
12		HINGE B	2CPS
13		HINGE BOLT	8CPS
14		PLASTIC MAGENT	4PCS
15		HINGE INSERT	4PCS
16		METAL CONTACT	4PCS
17		TWIN ADHESIVE	4PCS
18		TOP HANDLE	2PCS
19		BOTTOM HANDLE	2PCS
20		BOLT	24PCS

NO.	SKETCH	DESCRIPTION	QYT
21		PLASTIC WASHER	24PCS
22		COVER	16PCS

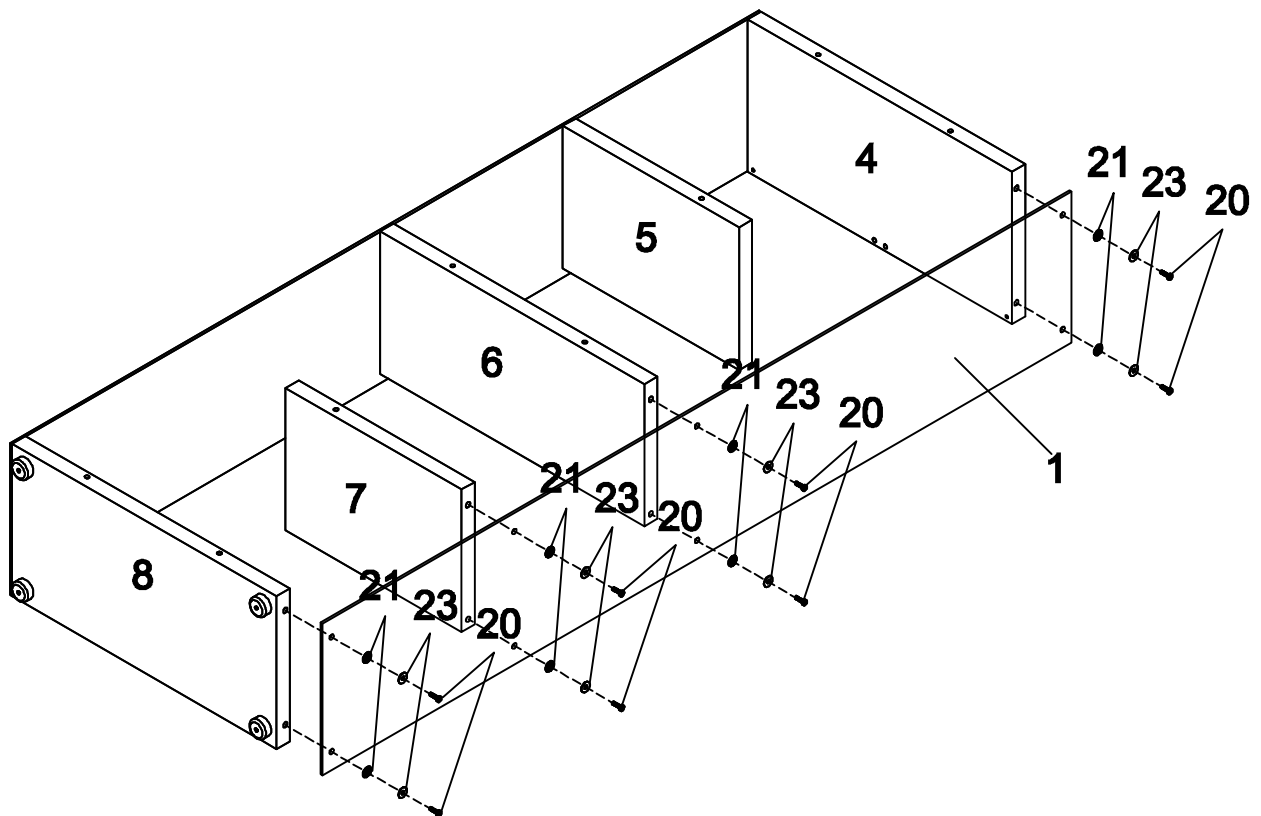
NO.	SKETCH	DESCRIPTION	QYT
23		WASHER	24PCS
24		ALLEN KEY	1PC



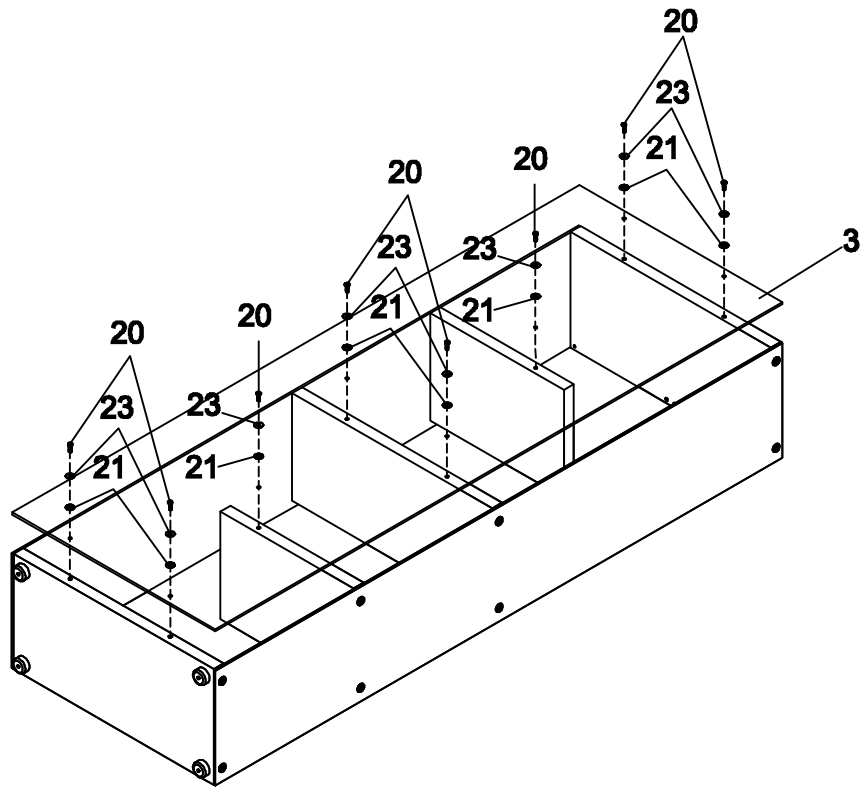
Step 1: Assemble Plastic Feet (9) onto the Shelf E (8) with Screws (10) as illustrated.



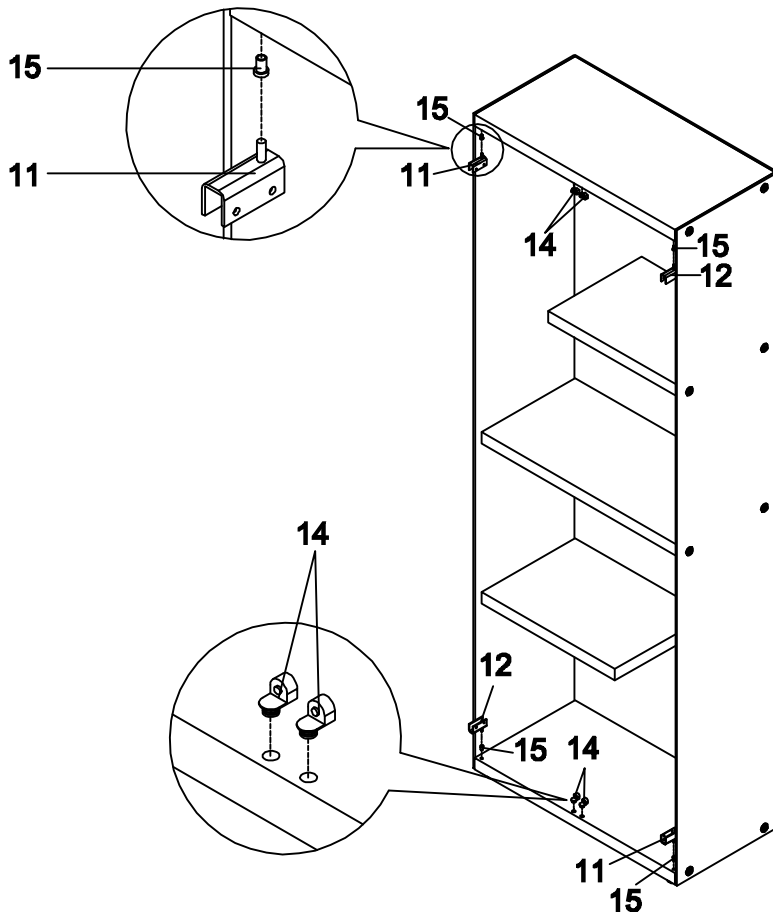
Step 2: Assemble Side Glass (1) onto the Shelf A (4), Shelf B (5), Shelf C (6), Shelf E (8) with Bolts (20), Plastic Washer (21) and Washer (23) as illustrated.



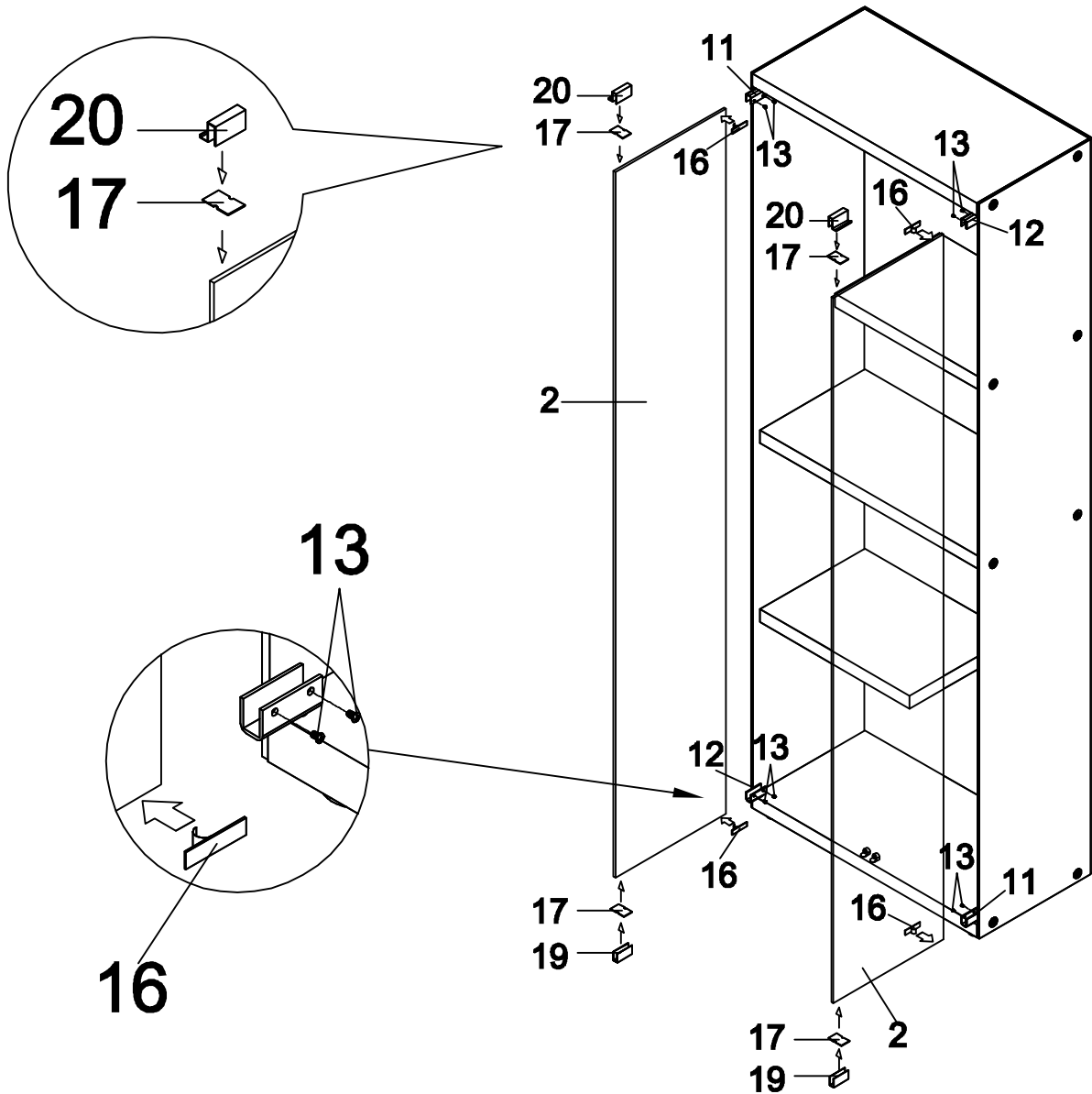
Step 3: Assemble Side Glass (1) onto the Shelf A (4), Shelf C (6), Shelf D (7) and Shelf E (8) with Bolts (20), Plastic Washer (21) and Washer (23) as illustrated.



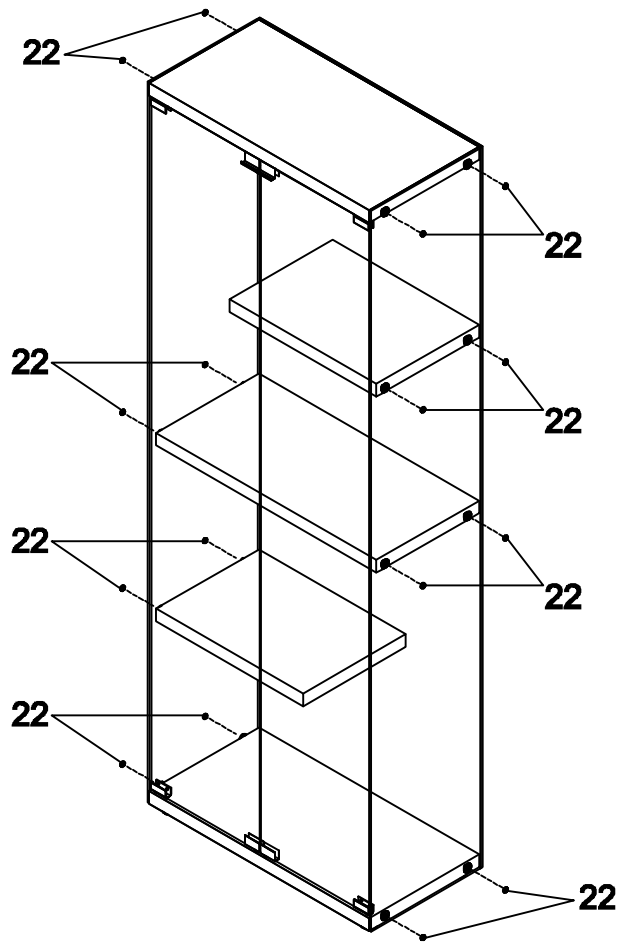
Step 4: Attach Back Glass (3) to the assemble in Step 3 using Bolts (20), Plastic Washer (21) and Washer (23) as shown.



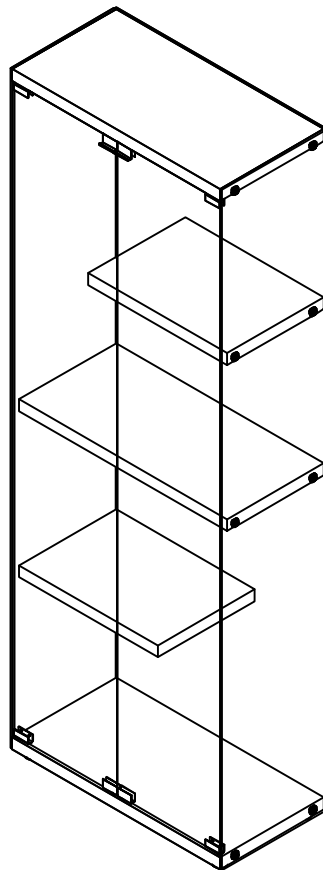
**Step 5: 1.Insert Plastic Magnet (14) into the assemble in Step 4 as shown.
 2.Insert Hinge Insert (15) into the assemble in Step 4 as shown.
 3.Insert Hinge A (11) and Hinge B (12) into the assemble in Step 4-2 as shown.**



Step 6: 1. Install Metal Contact (16) onto Door Glass (2) as shown.
 2. Attach Door Glass (2) to Hinge A (11) and Hinge B (12) by using Hinge Bolt (13) as shown.
 3. Install Twin Adhesive (17) onto Door Glass (2) and then insert Top Handle (18) and Bottom Handle (19) into the Door Glass (2) as shown.



Step 7: 1.Insert Cover (22) into the assemble in Step 6 as shown.



Complete. Congratulations on your assemble success.