



WARNING!

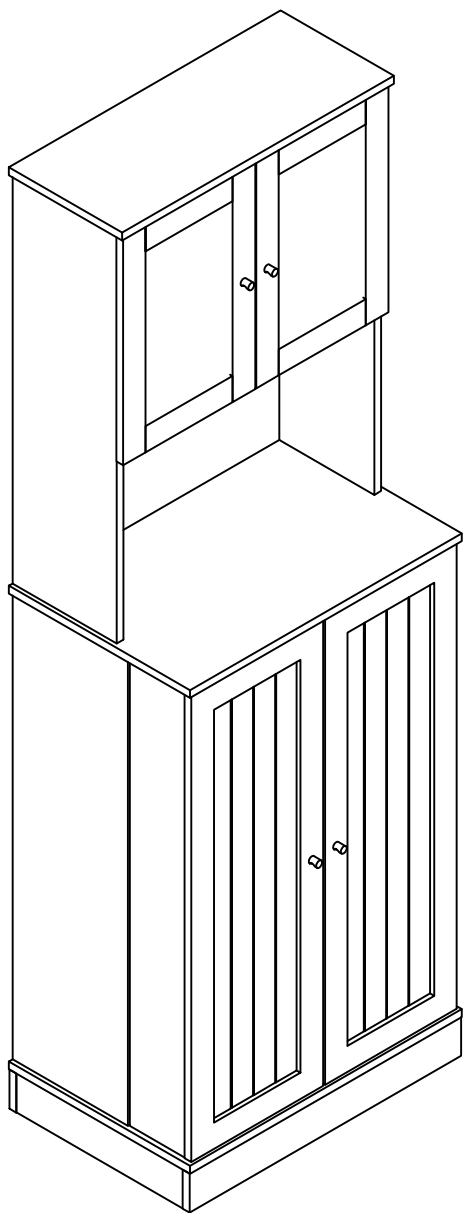
Children have died from furniture tipover. Fixed wall device have been included with this product;you must install the fixed wall device according to these instructions in order to minimize the risk of furniture.If you have any questions about this product or the Fixed wall device , please contact us immediately.

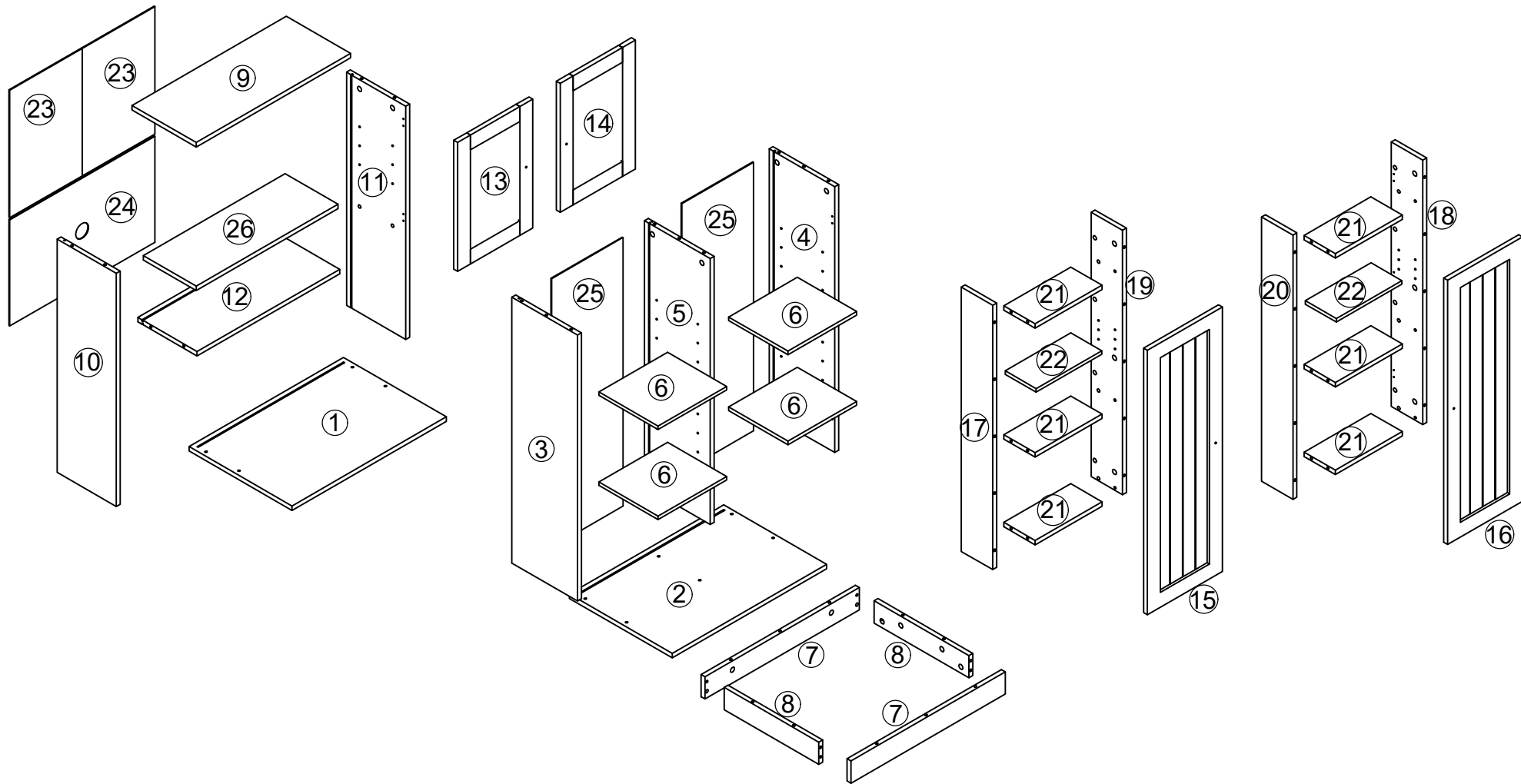
Never allow children to climb or hang on furniture,including drawers or cabiner doors.

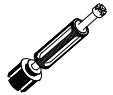

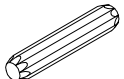


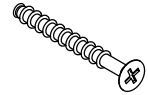
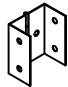

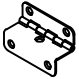
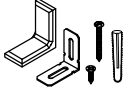
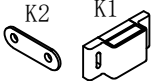


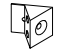

In addition to installing the restrains,to help prevent tip-over.

1. Never put a TV or other heavy objects on top of this product.
2. Do not stand on the product.

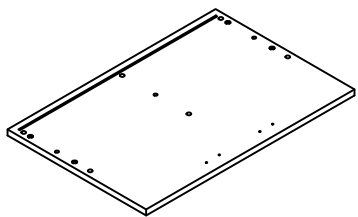
⚠ WARNING	
	<p>Children have died from furniture tipover. To reduce the risk of furniture tipover:</p> <ul style="list-style-type: none">• ALWAYS install tipover restraint provided.• NEVER put a TV on this product.• NEVER allow children to stand, climb or hang on drawers, doors, or shelves.• NEVER open more than one drawer at a time.• Place heaviest items in the lowest drawers.• Do not defeat or remove the drawer interlock system.
	<p><i>This is a permanent label. Do not remove!</i></p>





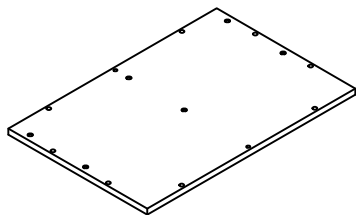
<p>A</p>  <p>50PCS</p>	<p>B</p>  <p>50PCS</p>	<p>C</p> <p>8*40</p>  <p>29PCS</p>	<p>D</p> <p>3.5*14</p>  <p>72PCS</p>	<p>E</p> <p>277mm</p>  <p>8PCS</p>	<p>F</p> <p>7*50</p>  <p>10PCS</p>	<p>G</p>  <p>6PCS</p>	<p>H</p>  <p>28PCS</p>	<p>I</p>  <p>4PCS</p>	<p>J</p>  <p>2PCS</p>
<p>K</p>  <p>4PCS</p>	<p>L</p>  <p>4PCS</p>	<p>M</p> <p>4*20</p>  <p>4PCS</p>	<p>N</p>  <p>22PCS</p>	<p>O</p> <p>3*12</p>  <p>22PCS</p>					

1



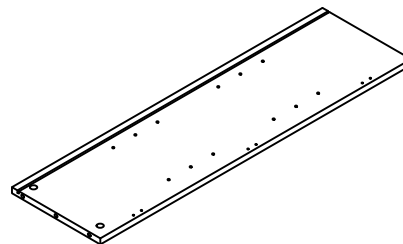
600*400 1PS

2



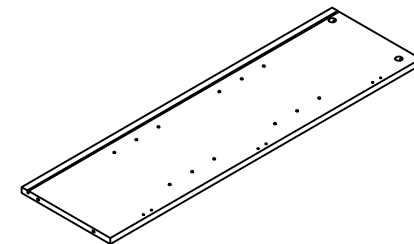
600*400 1PS

3



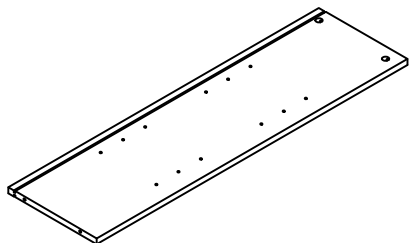
895*255 1PS

4



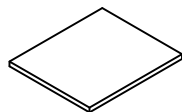
895*255 1PS

5



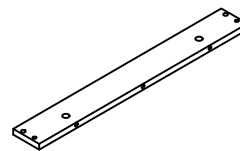
895*255 1PS

6



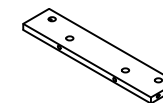
267*230 4PS

7



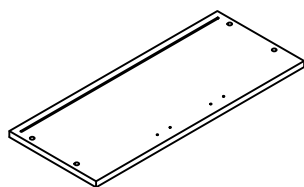
600*75 2PS

8



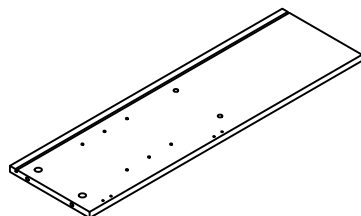
368*75 2PS

9



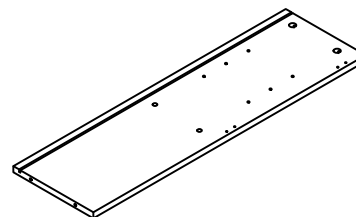
600*250 1PS

10



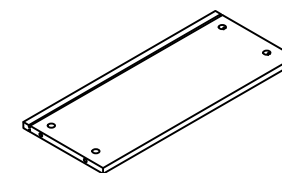
785*230 1PS

11



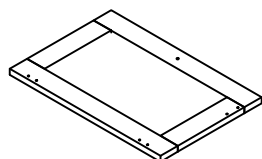
785*230 1PS

12



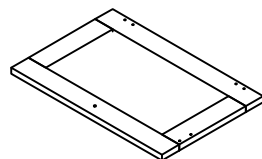
554*230 1PS

13



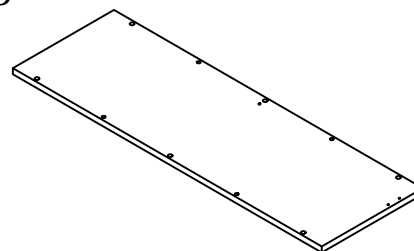
434*292 1PS

14



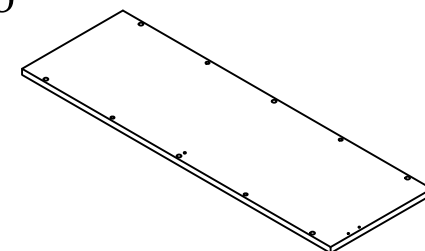
434*292 1PS

15



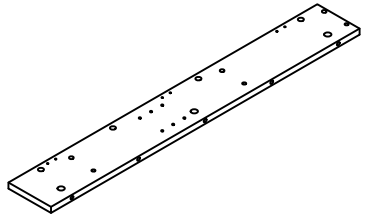
890*291 1PS

16



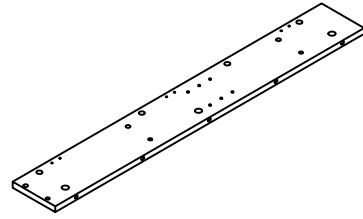
890*291 1PS

17



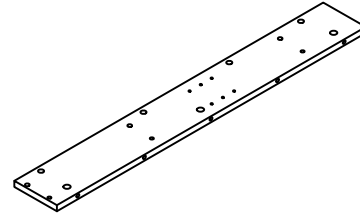
890*122 1PS

18



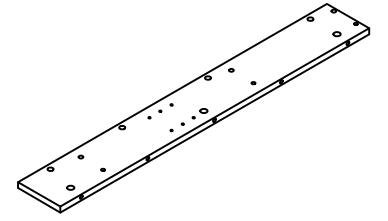
890*122 1PS

19



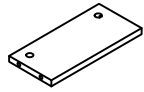
890*122 1PS

20



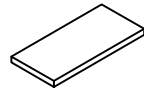
890*122 1PS

21



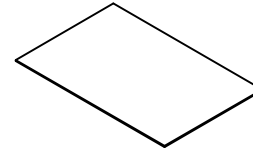
259*122 6PS

22



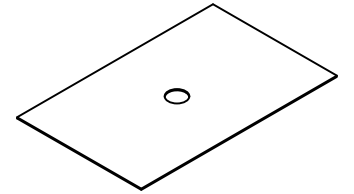
254*120 2PS

23



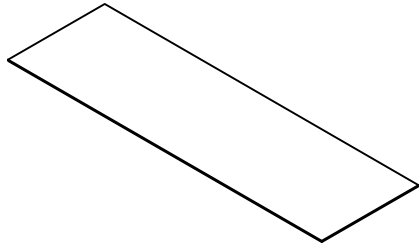
429*282 2PS

24



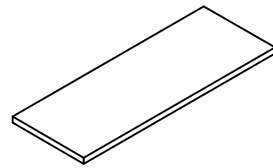
357*564 1PS

25



904*278 2PS

26



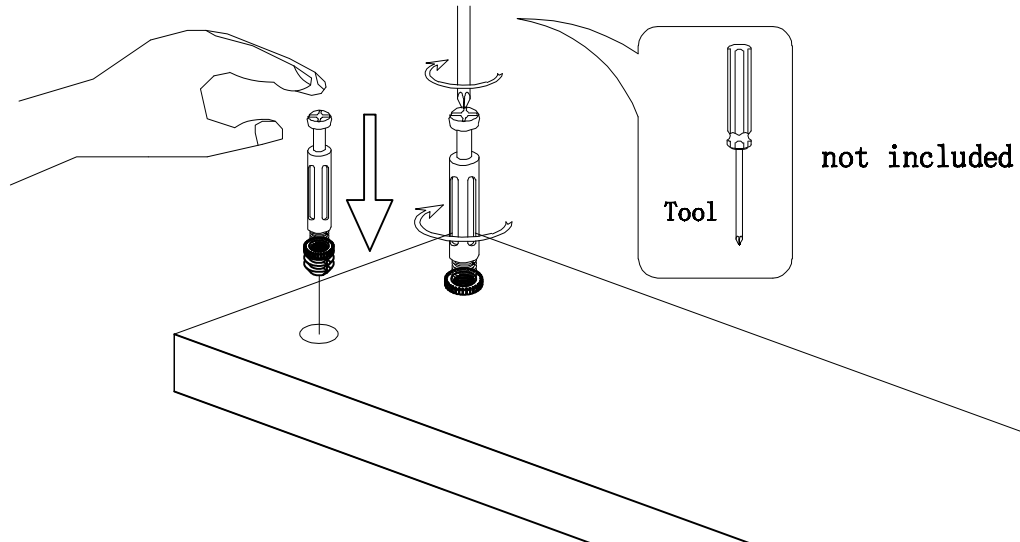
551*205 1PS



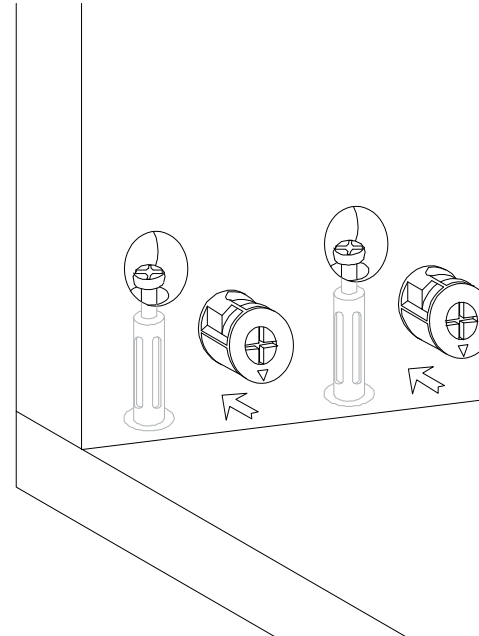
Hardware installation demonstration

NOTE: Please make sure "A" hardware tightened and can't be pulled out!

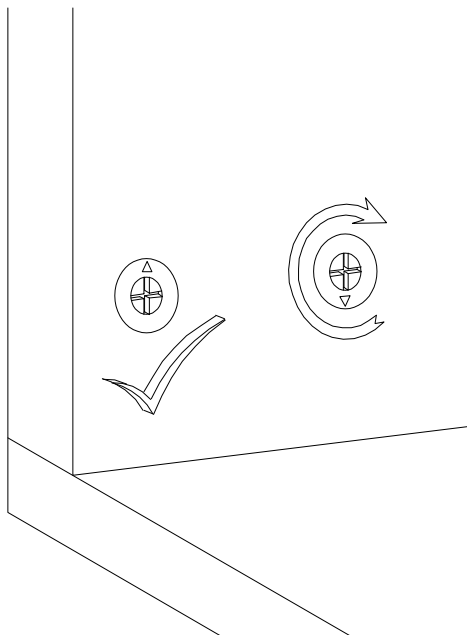
I



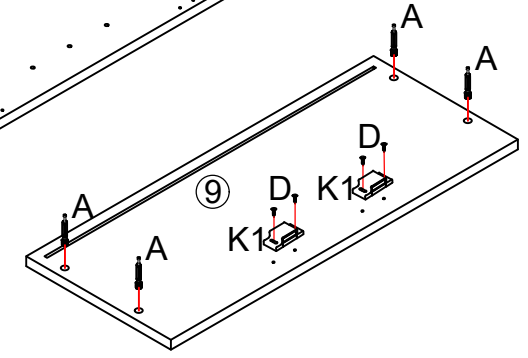
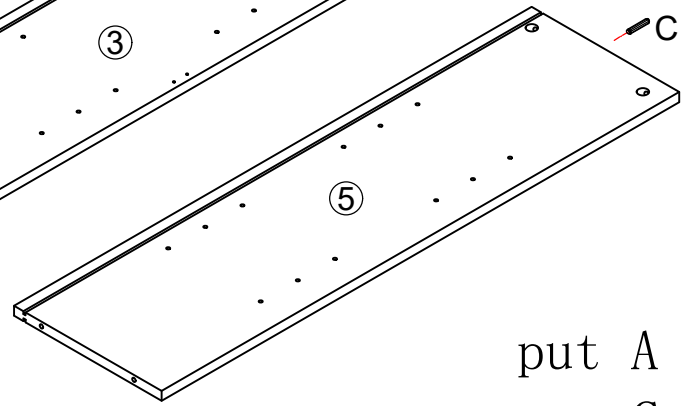
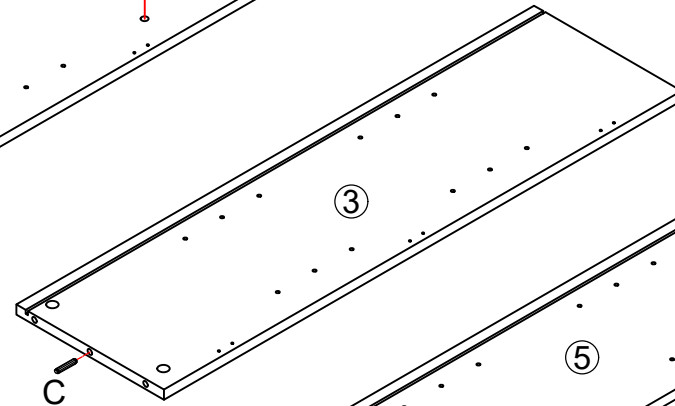
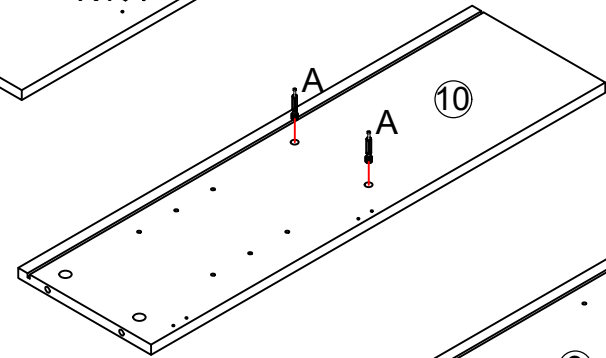
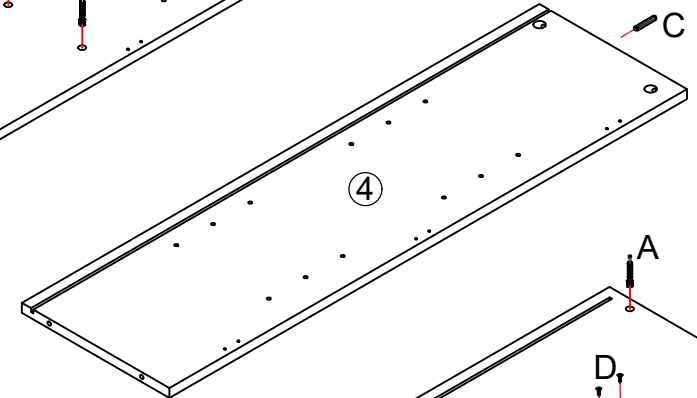
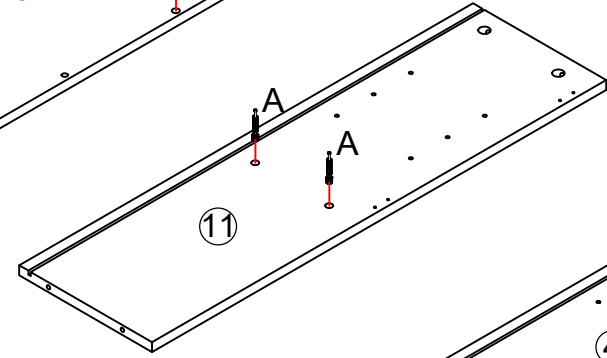
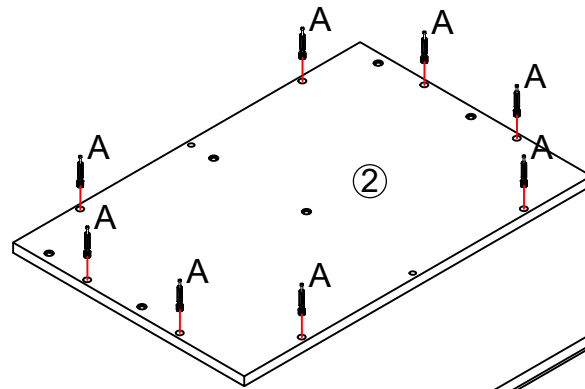
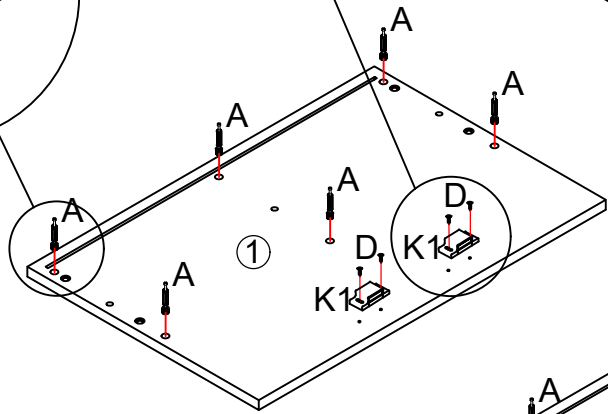
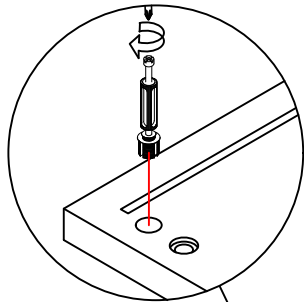
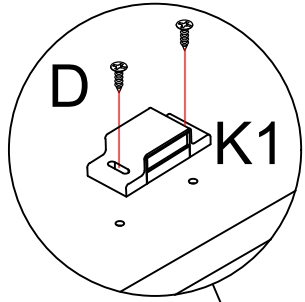
II


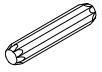




III



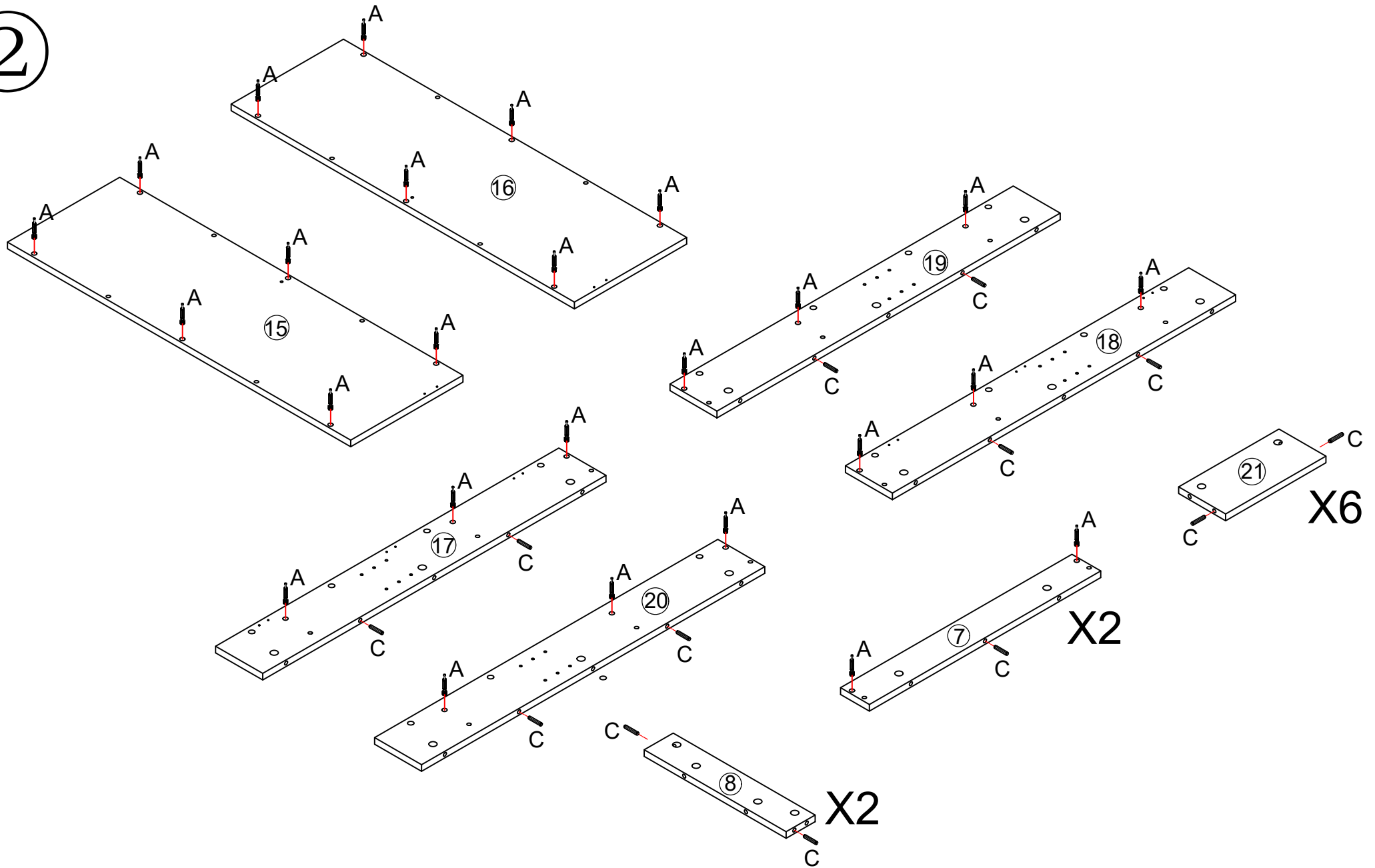
1


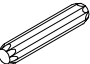


	A*22
	C*3
	D*8
	K1*4

put A on board ① ② ⑨ ⑩ ⑪
 put C on board ③ ④ ⑤

2

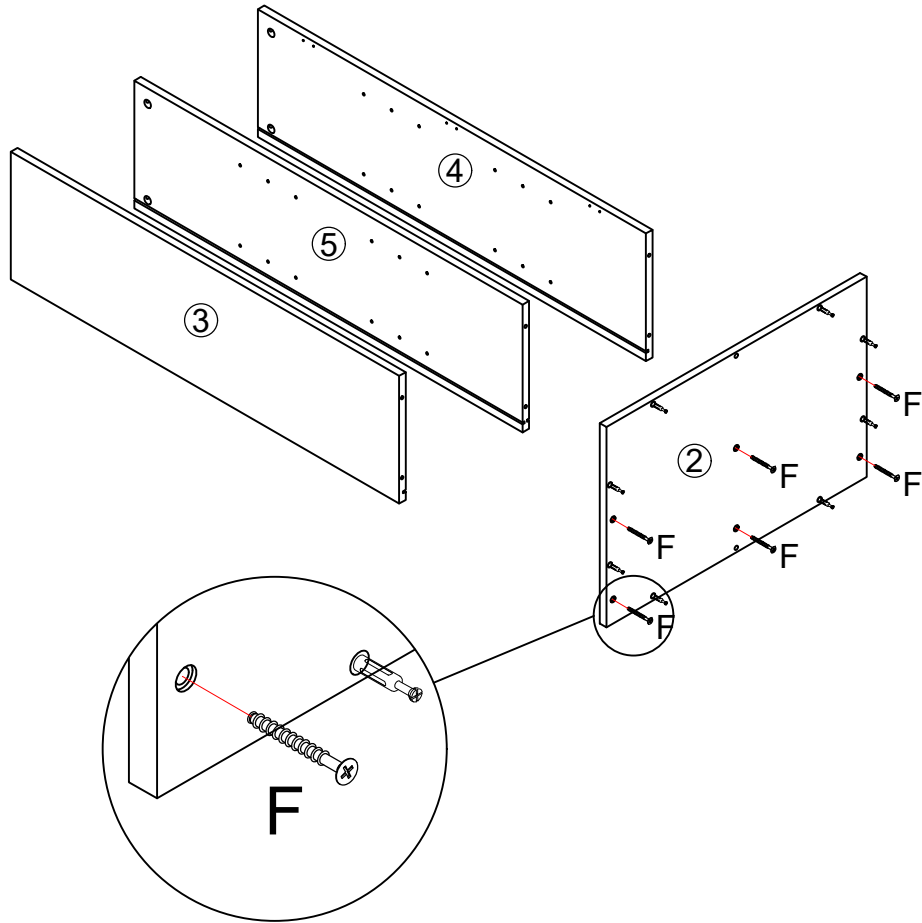


	A*28
	C*26

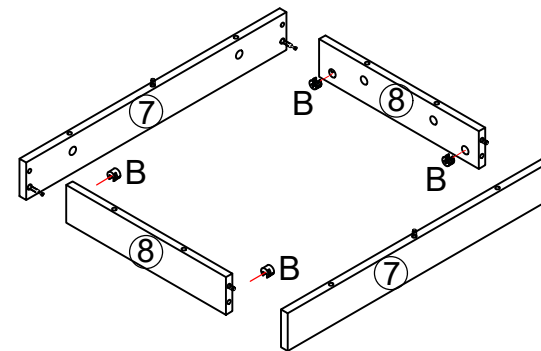
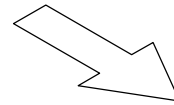
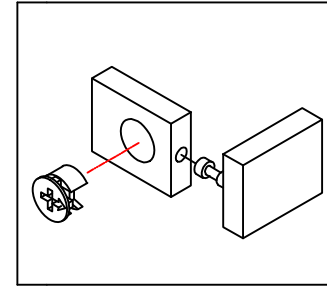
put A on board ⑦ ⑮ ⑯ ⑰ ⑱ ⑳

put C on board ⑦ ⑧ ⑰ ⑱ ㉑

3



Make sure the arrow on the screw align to the hole on the side.

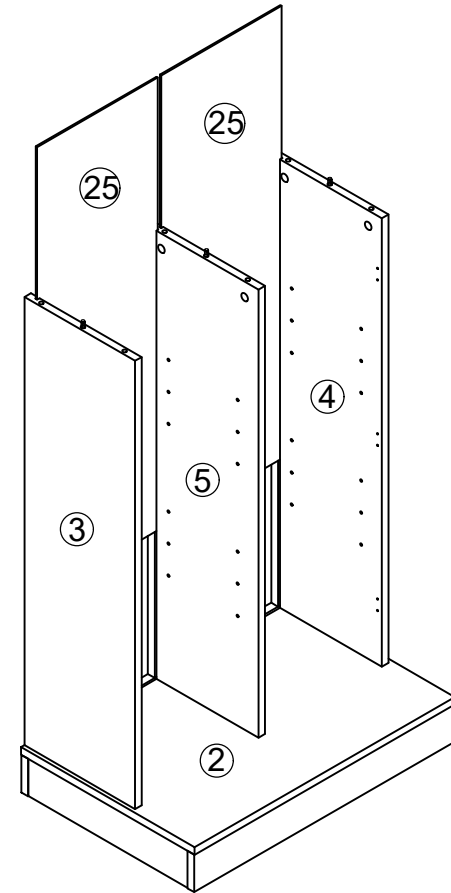
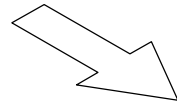
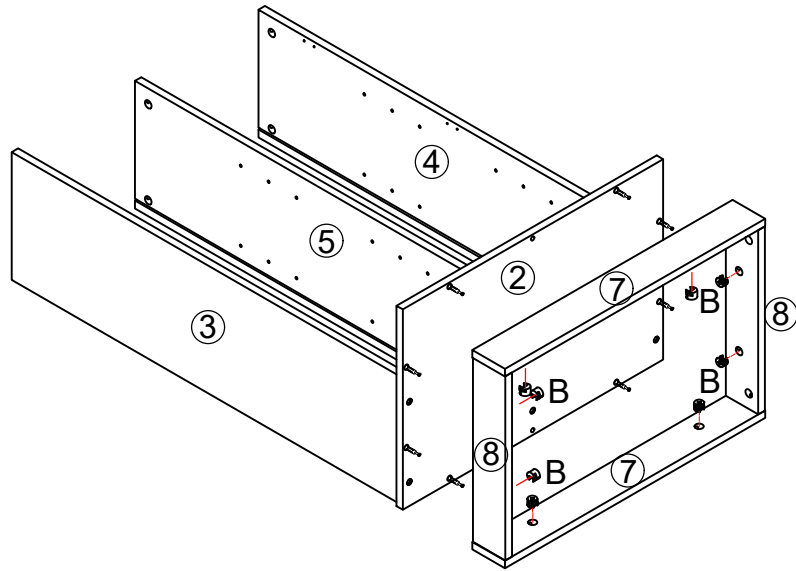


B*4



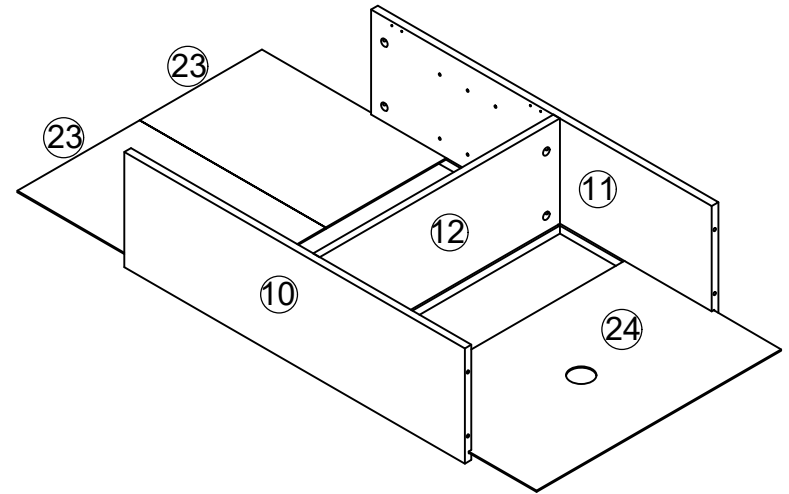
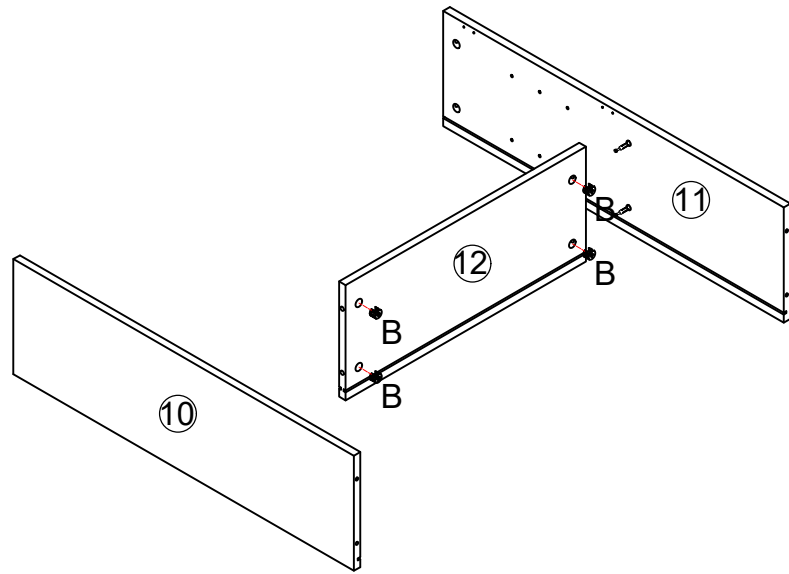
F*6

4



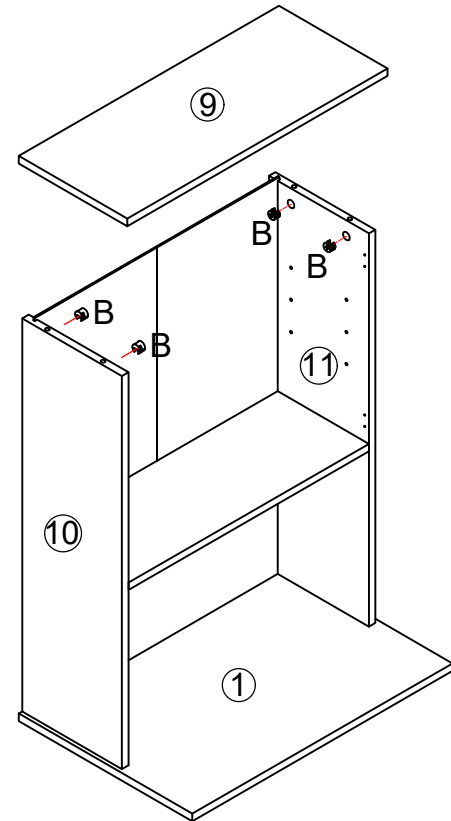
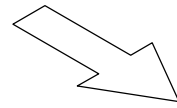
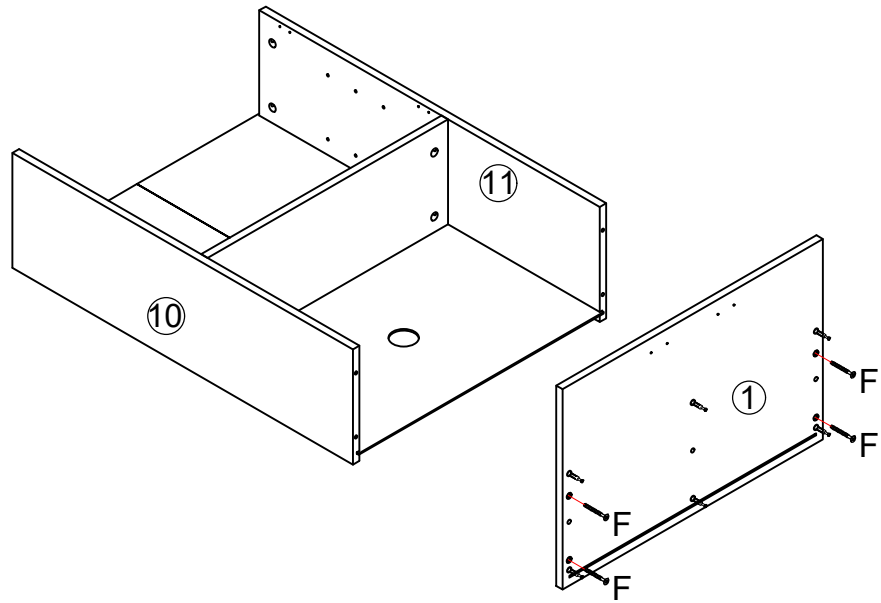
B*8

5

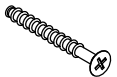


B*4

6

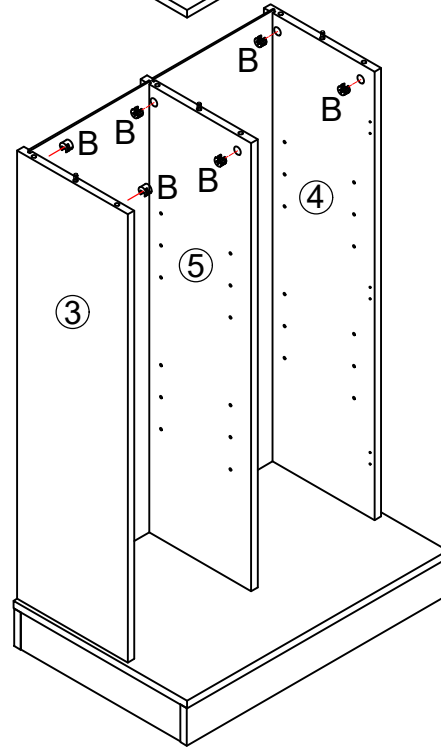
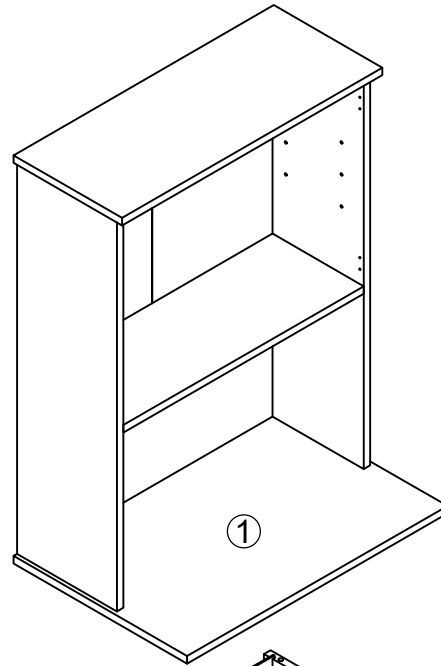


B*4



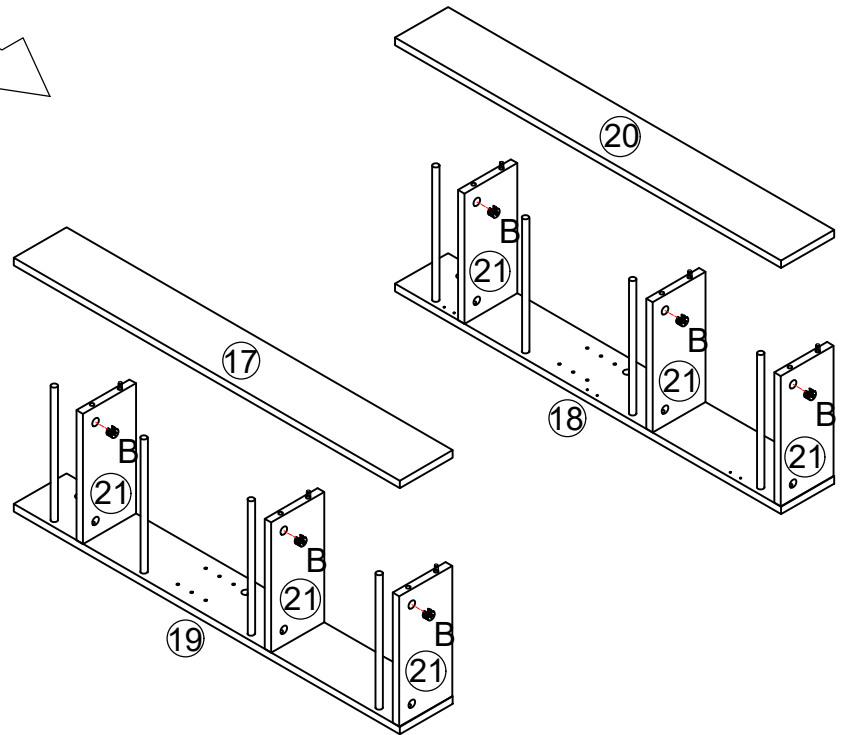
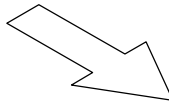
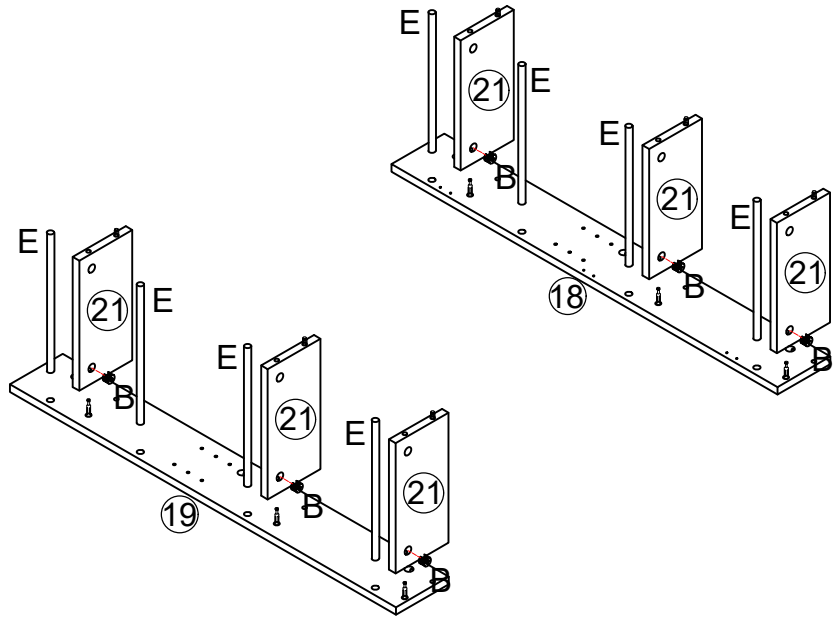
F*4

7



B*6

8

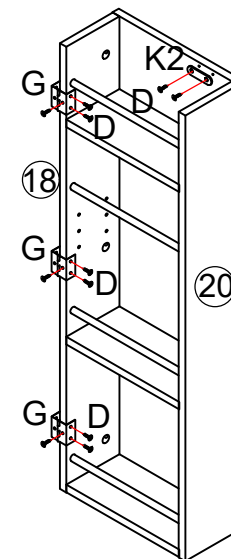
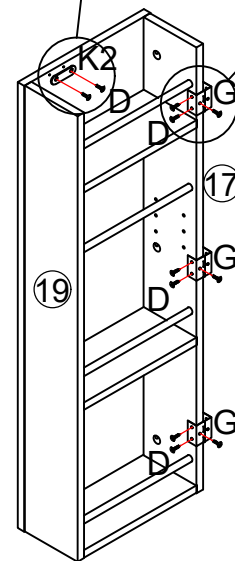
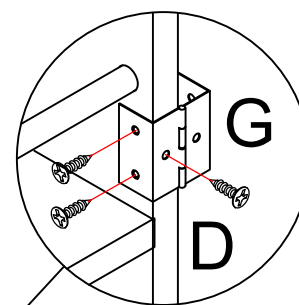
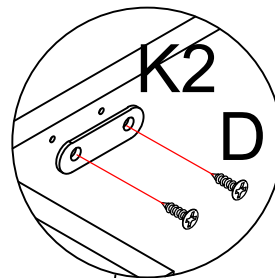
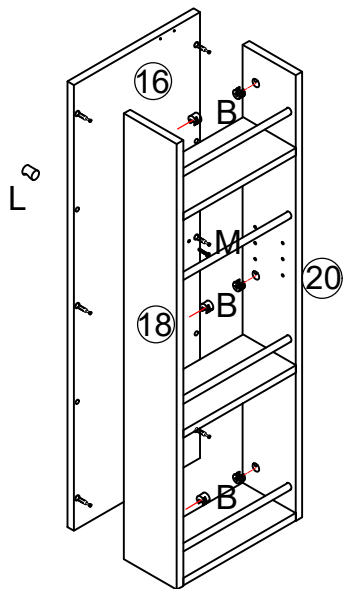
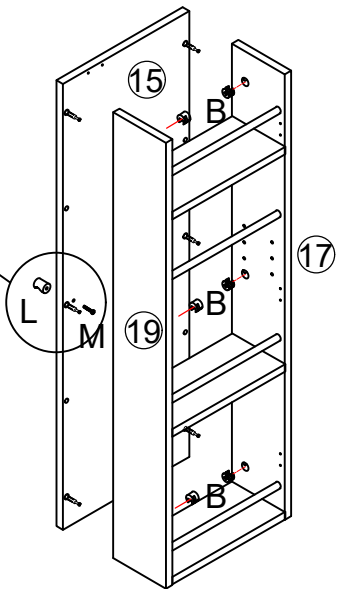
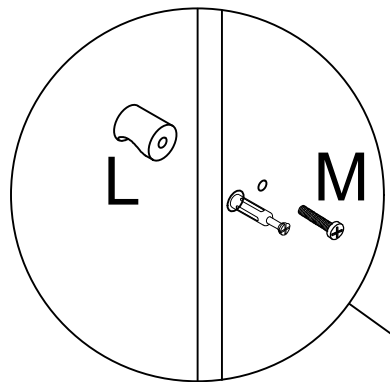


B*12



E*8

9



B*12



D*22



K2*2



G*6

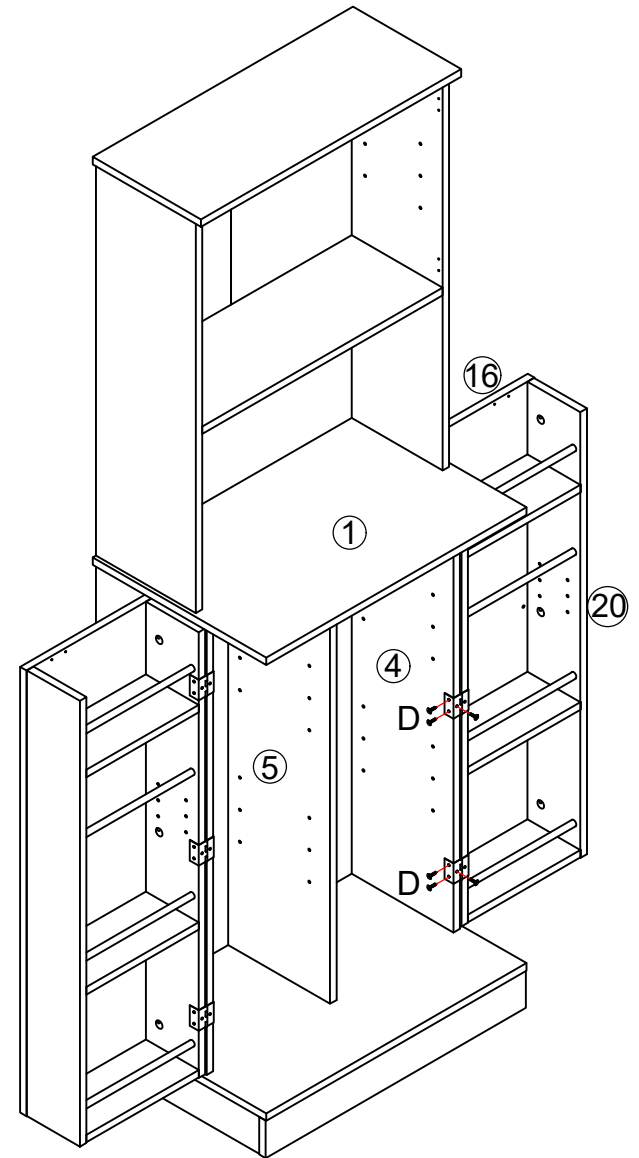
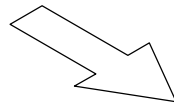
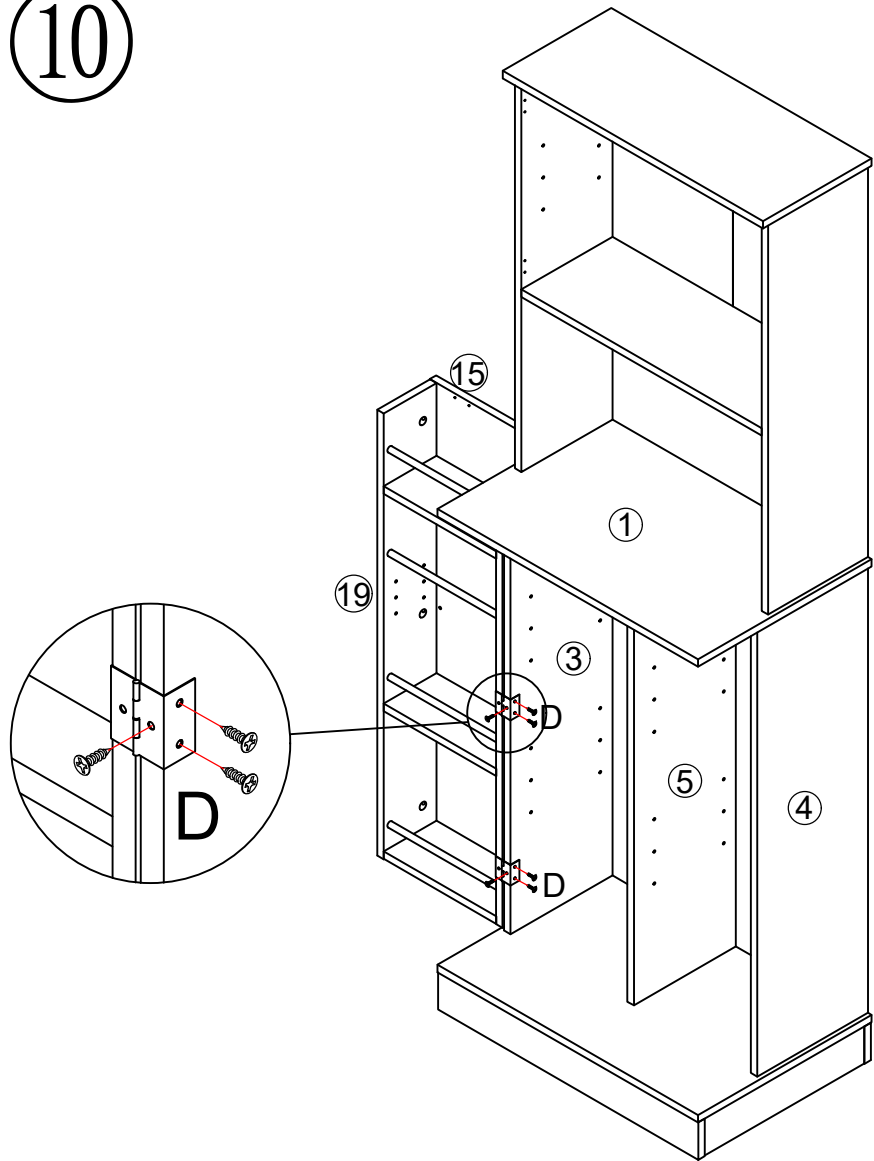


L*2



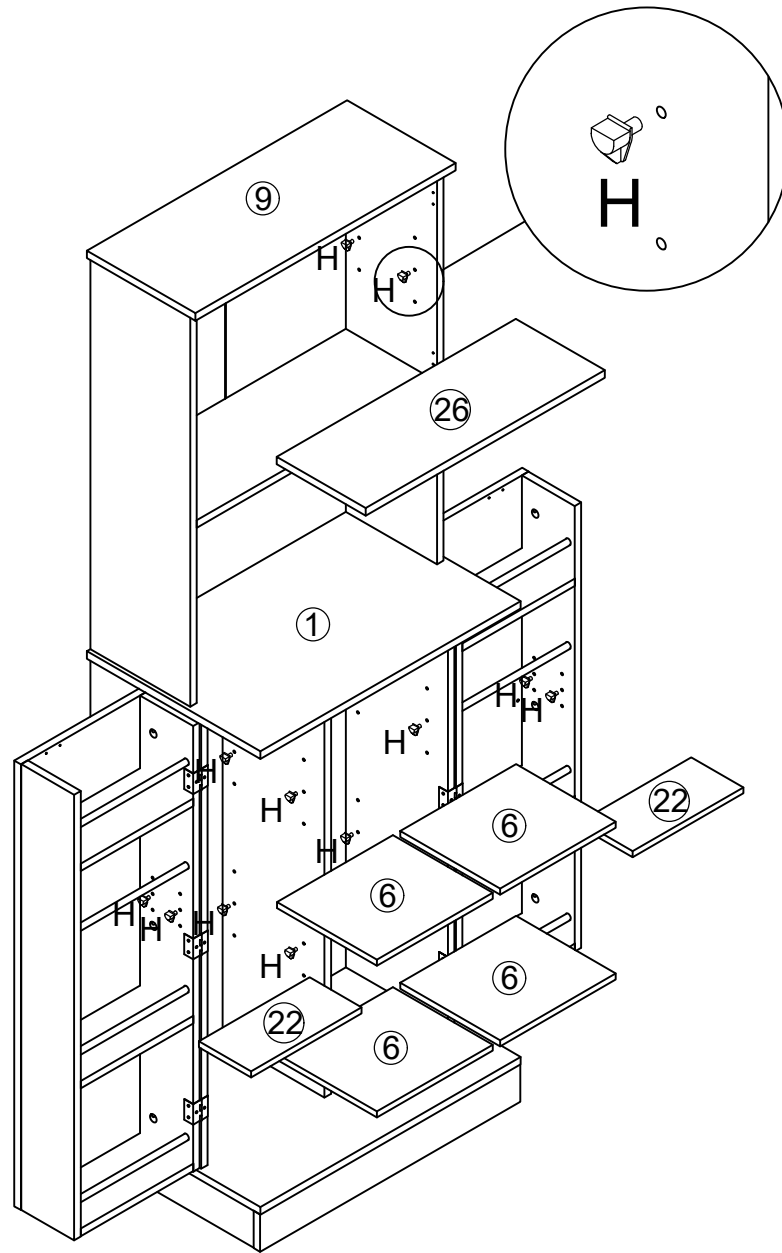
M*2

10



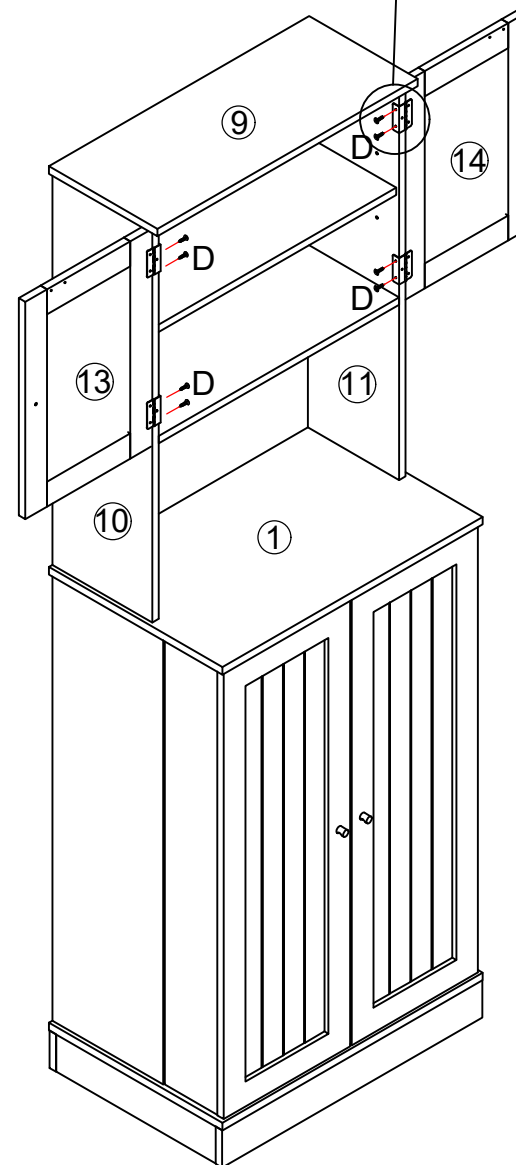
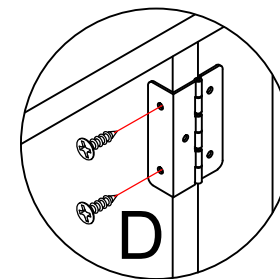
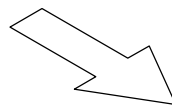
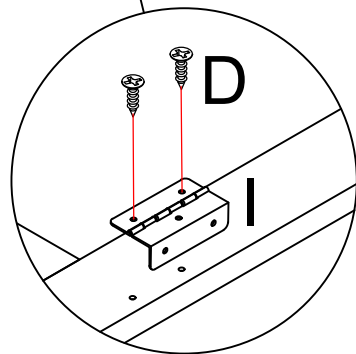
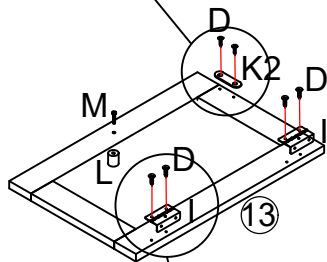
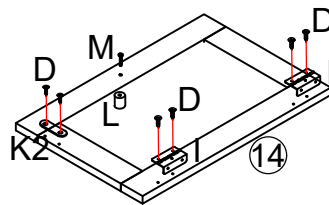
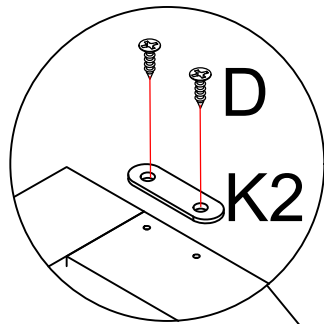
D*18

11



H*28

12



D*24



K2*2



L*2

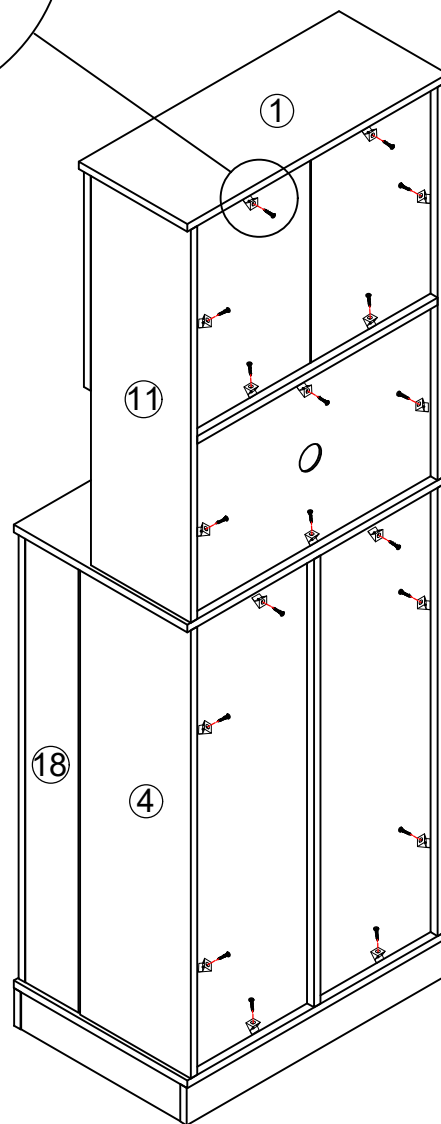
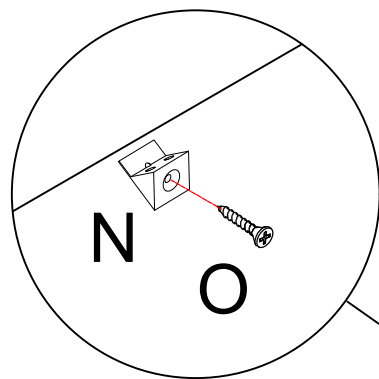


M*2



I*4

13

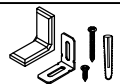
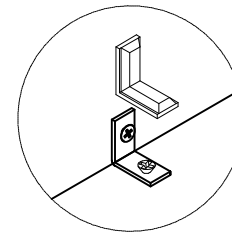
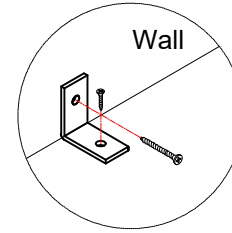
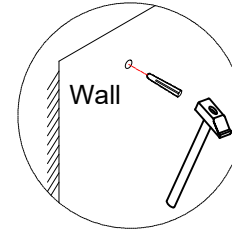
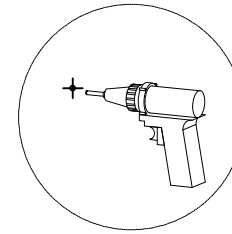
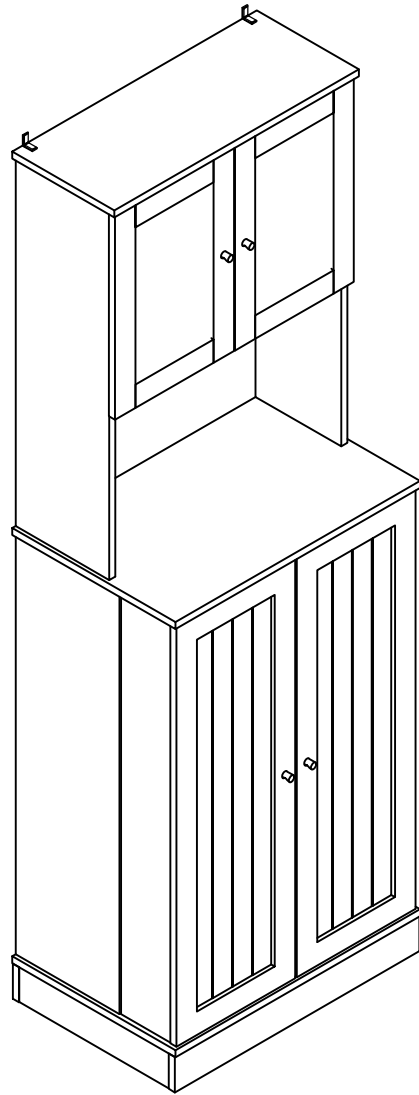


N*18



O*18

14



J*2

Please install tip-proof fitting.