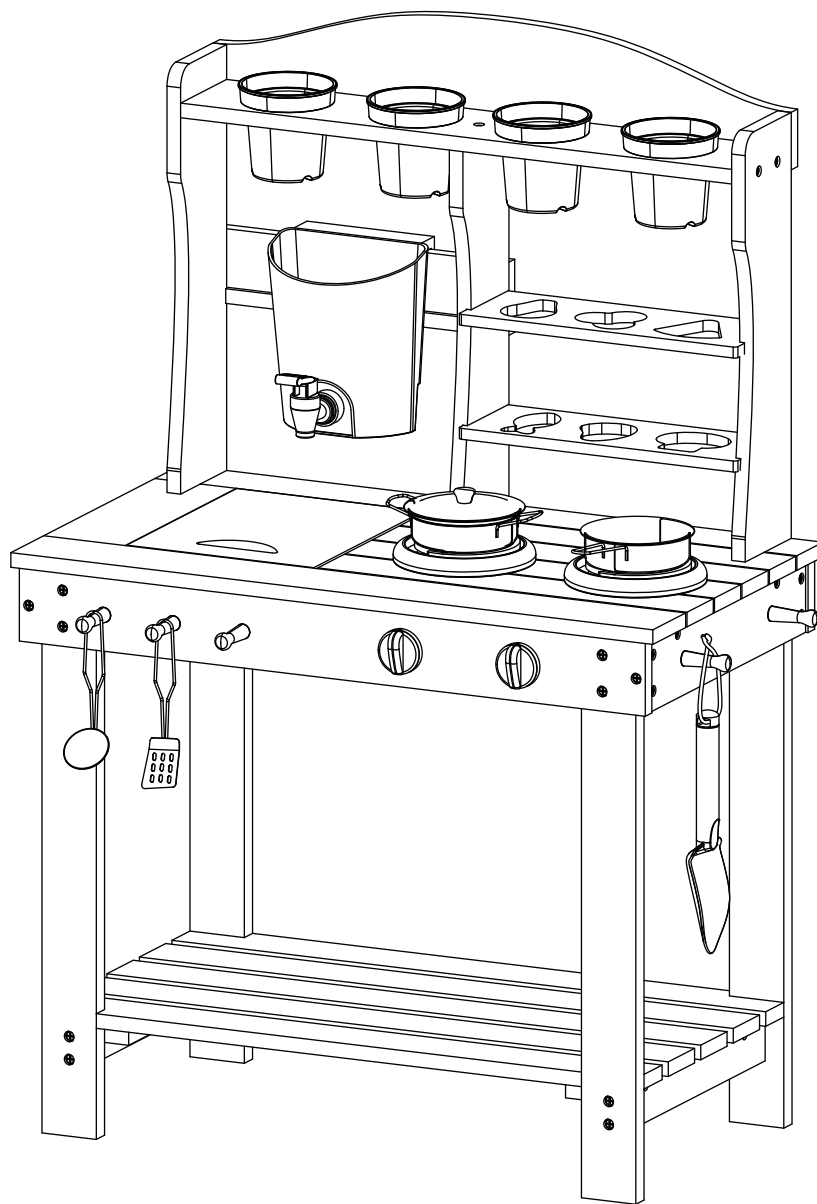


MUD KITCHEN

Instruction manual

93042



E-mail Service : bierumbaby@hotmail.com

Please read and keep the manual properly, it contains important information.

WARNINGS AND SAFE PLAY INSTRUCTIONS



CONTINUOUS ADULT SUPERVISION REQUIRED.

Remember on-site adult supervision is required for children of all ages. Check for splintered, broken or cracked wood; missing, loose, or sharp edged hardware. Replace, tighten and or sand smooth as required prior to playing. Replace defective parts in accordance with manufacturer's instructions.

Instructions for Proper Maintenance

Your Mud Kitchen is designed and crafted from quality materials with a focus on your child's safety. As with all children's outdoor products, it will weather and wear with use. To maximize the enjoyment, safety, and lifespan of your Mud Kitchen, it is essential that you, the owner, perform regular and proper maintenance.

Check the following at the beginning of the play season:

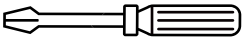

<p>HARDWARE:</p> <ul style="list-style-type: none"> ✓ Check metal parts for rust. If found, sand and repaint using a non-lead paint complying with 16 CFR 1303. ✓ Inspect and tighten all hardware. On wood assemblies DO NOT OVERTIGHTEN as to cause crushing and splintering of wood. 		<p>WOOD PARTS:</p> <ul style="list-style-type: none"> ✓ Check all wood members for deterioration, structural damage and splintering. Sand down splinters and replace deteriorated wood members. As with all wood, some checking and small cracks in grain is normal. ✓ Applying a water repellent or stain (water-based) on a yearly basis is important maintenance to maintain maximum life and performance of the product.
---	--	---

If you dispose of your Mud kitchen:

Please disassemble and dispose of your unit so that it does not create any unreasonable hazards at the time it is discarded. Be sure to follow your local waste ordinances.

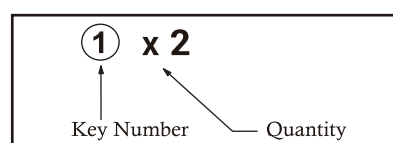
Keys to Assembly Success

Recommended Tools

 <p>screwdriver</p>	 <p>wrench (If need)</p>	 <p>tape measure (If need)</p>	 <p>level (If need)</p>
--	---	--	--

Part Identification Key

On each page, you will find the parts and quantities required to complete the assembly step illustrated on that page. Here is a sample.



ABOUT OUR WOOD

Mud kitchen systems uses only premium playset lumber, ensuring the safest product for your children's use. Although we take great care in selecting the best quality lumber available, wood is still a product of nature and susceptible to weathering which can change the appearance of your set.

What causes weathering? Does it affect the strength of my Play System?

One of the main reasons for weathering is the effects of water (moisture); the moisture content of the wood at the surface is different than the interior of the wood. As the climate changes, moisture moves in or out of the wood, causing tension which can result in checking and or warping. You can expect the following due to weathering. These changes will not affect the strength of the product:

1. **Checking** is surface cracks in the wood along the grain. A post (2" x 2") will experience more checking than a board (1" x 2") because the surface and interior moisture content will vary more widely than in thinner wood.
2. **Warping** results from any distortion (twisting, cupping) from the original plane of the board and often happens from rapid wetting and drying of the wood.
3. **Fading** happens as a natural change in the wood color as it is exposed to sun-light and will turn a grey over time.

How can I reduce the amount of weathering to my Play System?

At the factory we have coated the wood with a water repellent or stain. This coating decreases the amount of water absorption during rain or snow thus decreasing the tension in the wood. Sunlight will break down the coating, so we recommend applying a water repellent or stain on a yearly basis (see your local stain and paint supplier for a recommended product).

Most weathering is just the normal result of nature and will not affect safe play and enjoyment for your child.

MAINTENANCE INSTRUCTIONS

1. To clean the toy, wipe it with a soft, slightly moist cloth.
2. Never use corrosive detergents, wire brushes, abrasive scourers, or metal or sharp utensils to clean the toy.
3. Regularly check that all the components and fasteners are tightened.

WARNING

1. This product contains small parts and must be assembled by an adult before being given to a child. Keep away from children and pets during assembly.
2. This product is suitable for both indoor and outdoor use.
3. Do not stand on this item or use any part of it as a stepladder.
4. Before use, ensure all bolts, screws, and knobs are securely fastened. Avoid over-tightening, as this may reduce their holding strength.
5. Do not use or store this item near an open flame or flammable/combustible substances.
6. If any parts are missing, broken, damaged, or worn, discontinue use until repairs are made or genuine replacement parts are installed.
7. Misuse of this product inconsistent with the manufacturer's instructions may void the warranty.
8. For extended periods of non-use, store the product indoors in a dry place.

AGE RANGE: 3 years old and up

BEFORE FIRST USE**DANGER**

Risk of suffocation!

Keep any packaging materials away from children and pets-these materials are a potential source of danger, e.g. suffocation.

- Remove all the packing materials.
- Remove and review all components before starting assembly.
- Check the toy for transport damages.

! ATTENTION

- This page lists the contents included in the box. Please take time to identify the hardware as well as the individual components of the product.
- As you unpack and prepare for assembly, place the contents on a carpeted or padded area to protect them from damage.
- Please follow the assembly instructions closely. Improper assembly can result in personal or property damage

**WARNING**

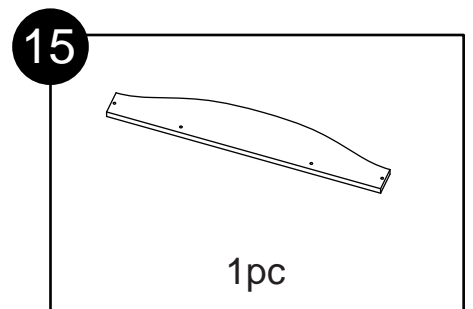
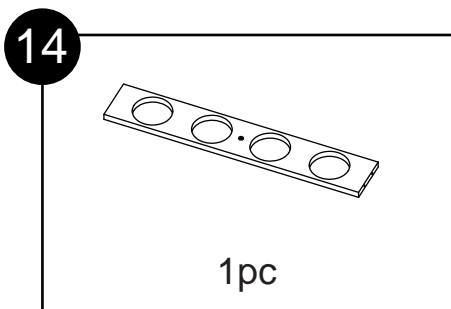
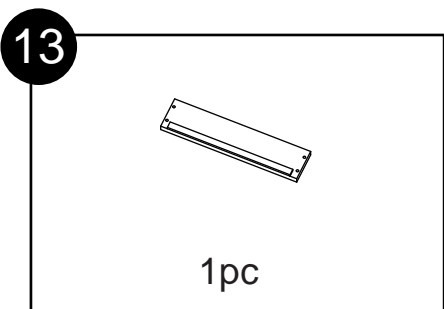
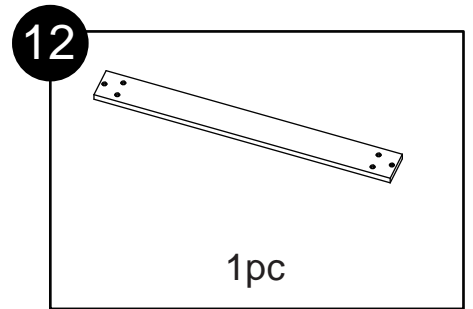
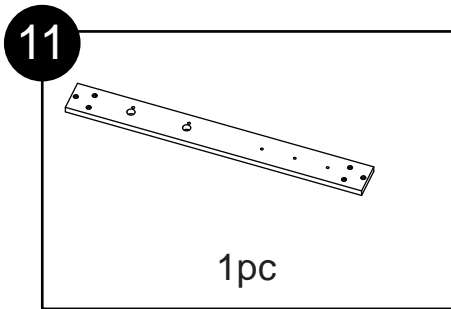
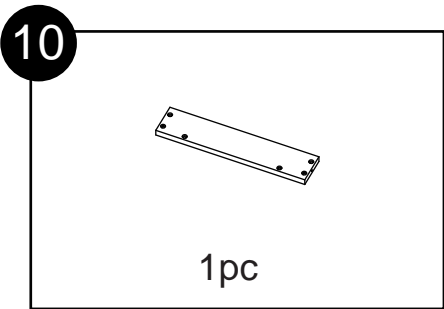
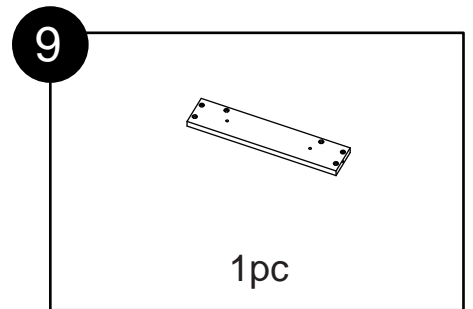
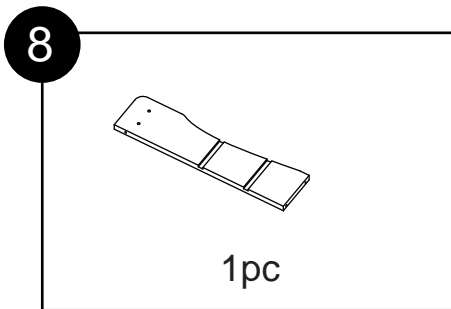
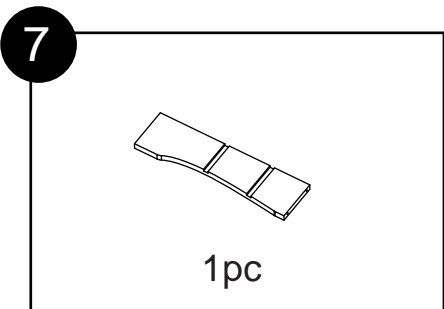
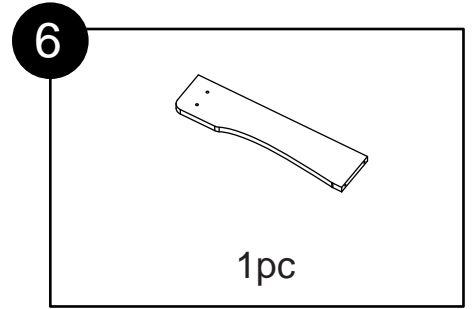
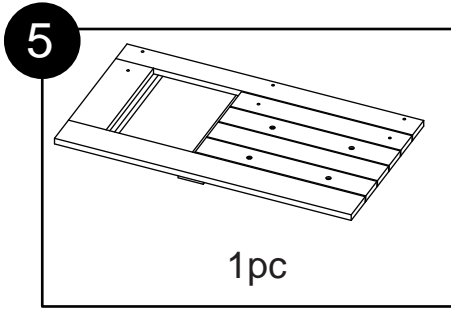
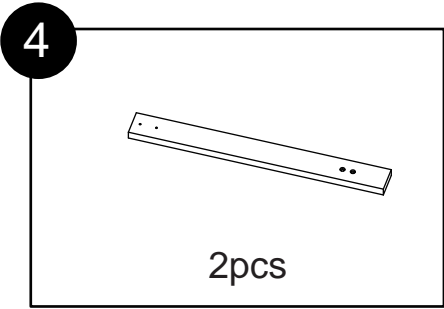
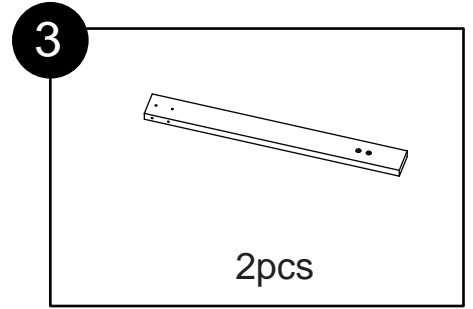
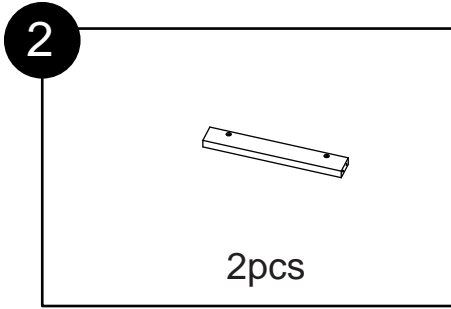
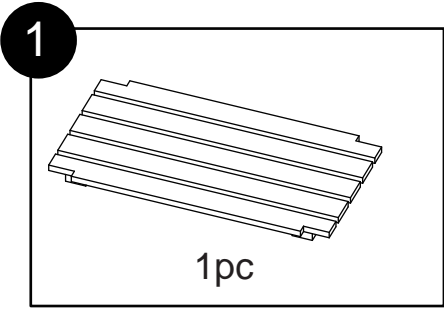
ADULT ASSEMBLY REQUIRED

**WARNING**

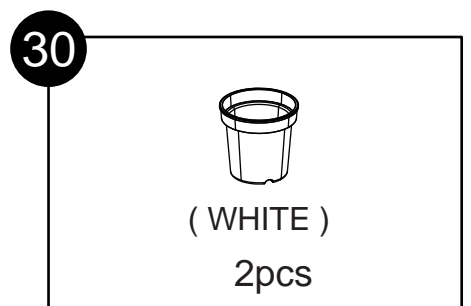
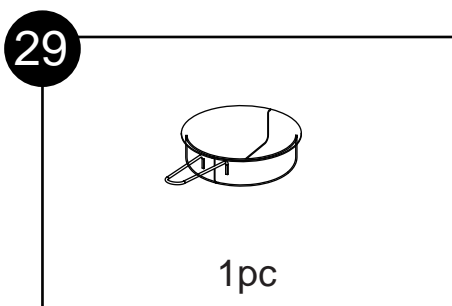
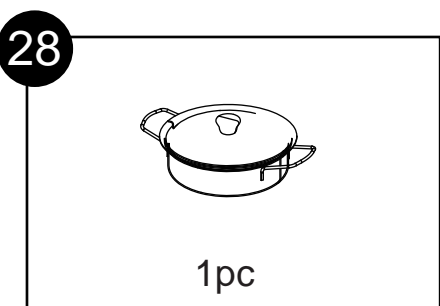
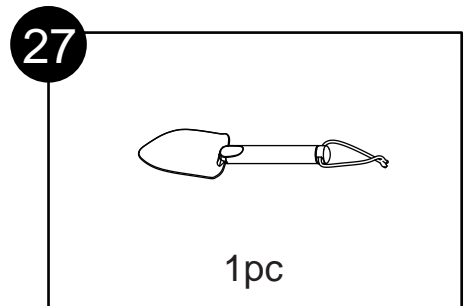
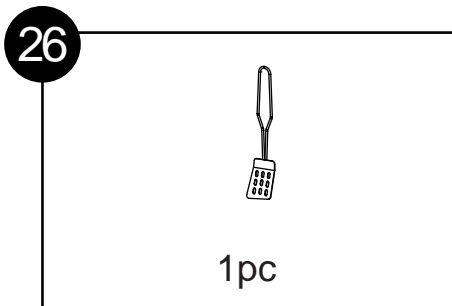
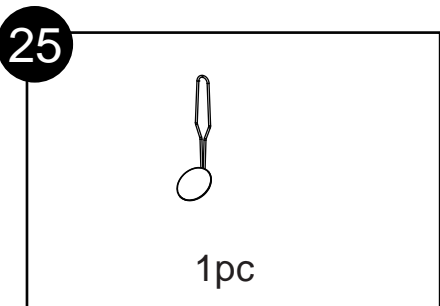
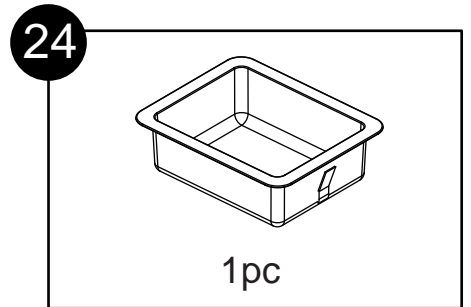
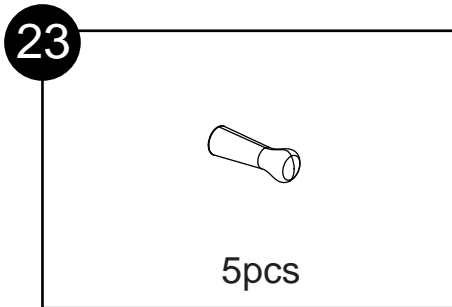
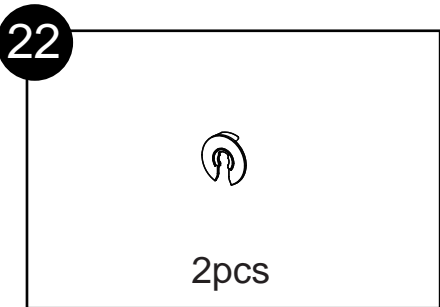
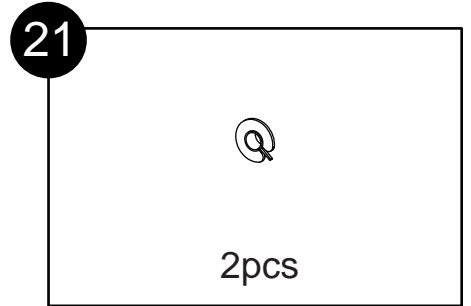
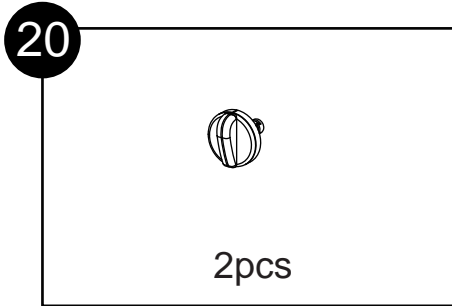
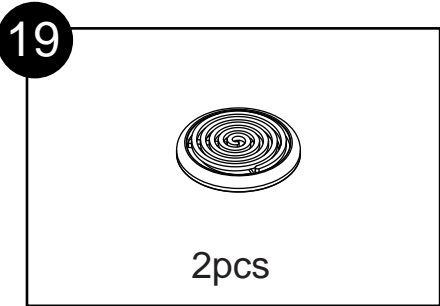
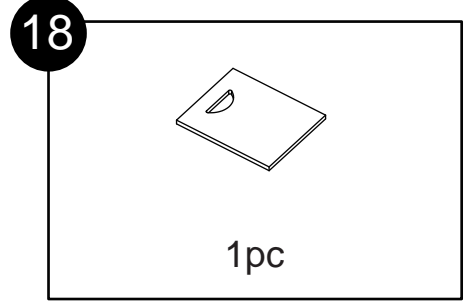
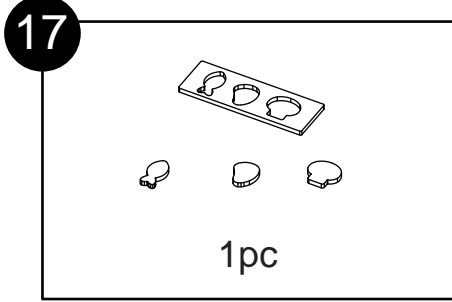
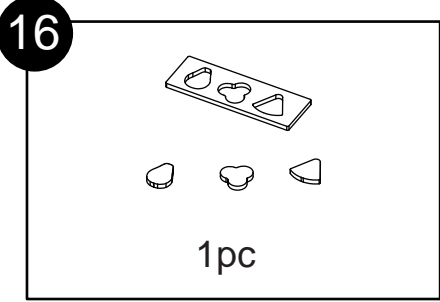
CHOKING HAZARD-Small parts.

Not for children under 3 years old

PARTS




PARTS



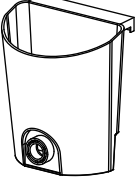
PARTS

31



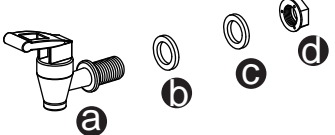
(GREEN)
2pcs

32



1pc

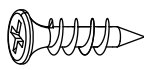
33



1pc


HARDWARE

A 20MM




17pcs

B 30MM



41pcs

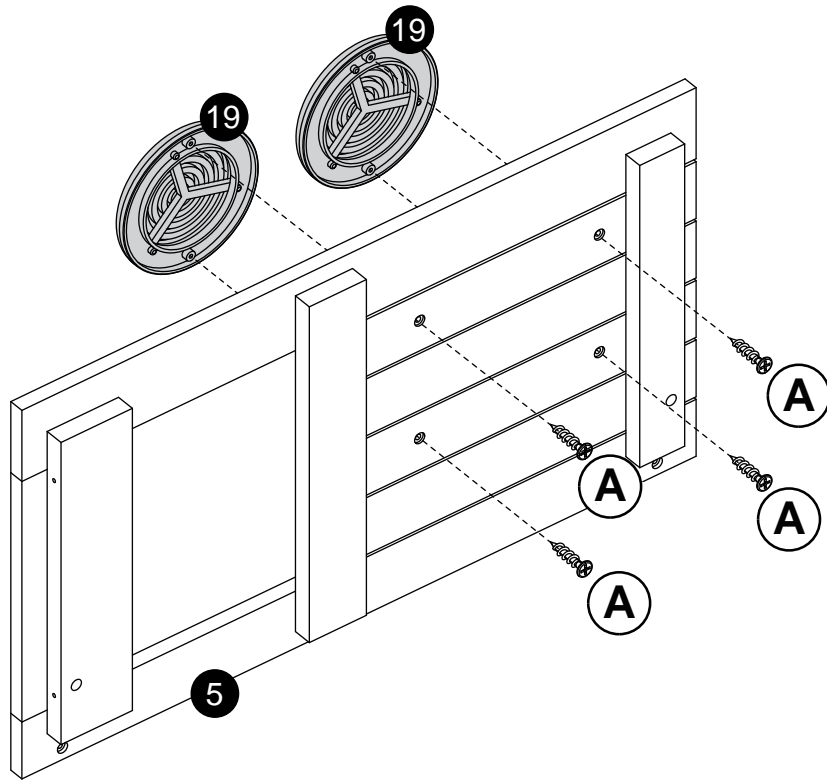
C 40MM

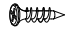


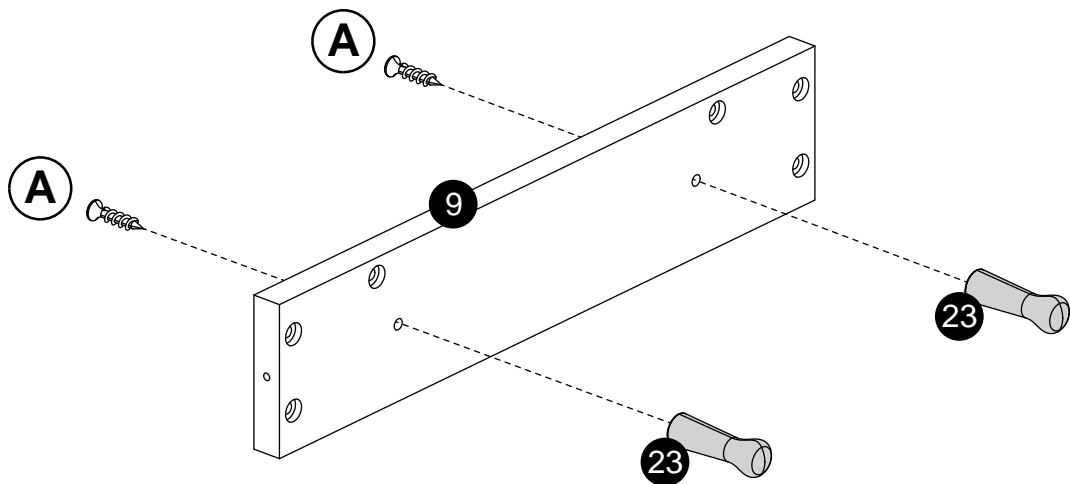
6pcs

INSTALLATION STEPS

STEP 1  **(A) X4**

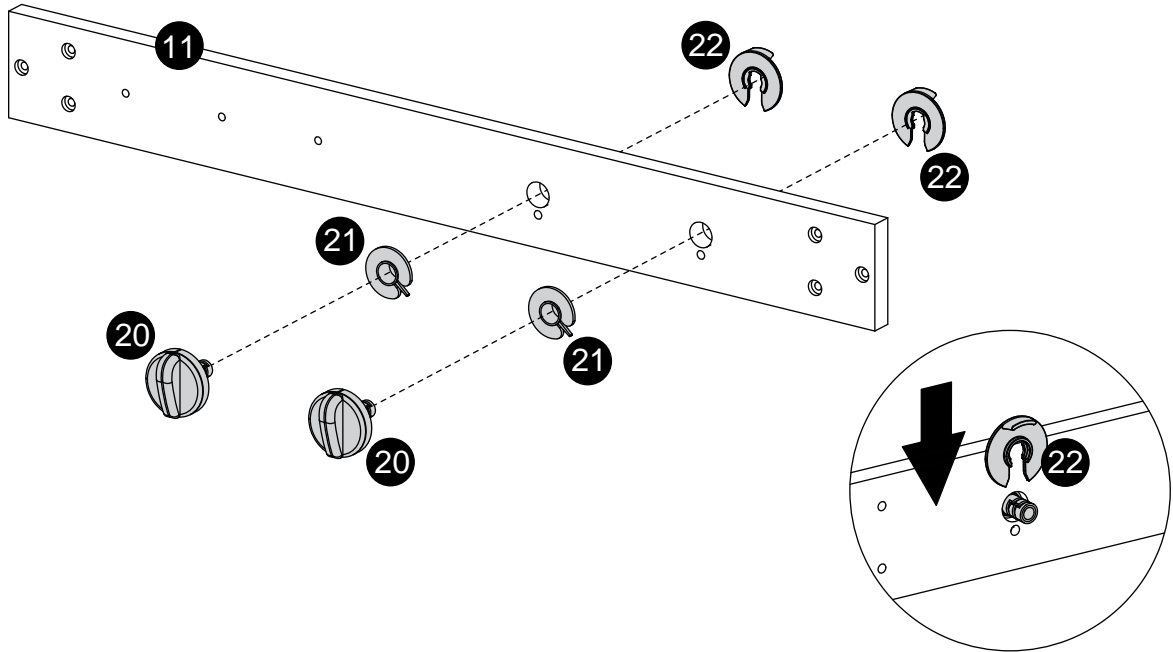


STEP 2  **(A) X2**



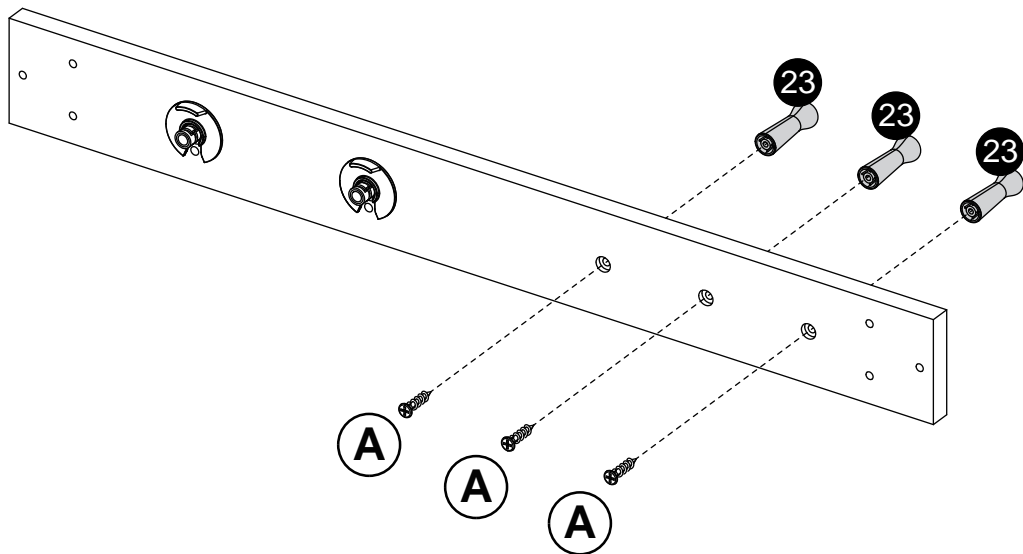
INSTALLATION STEPS

STEP 3



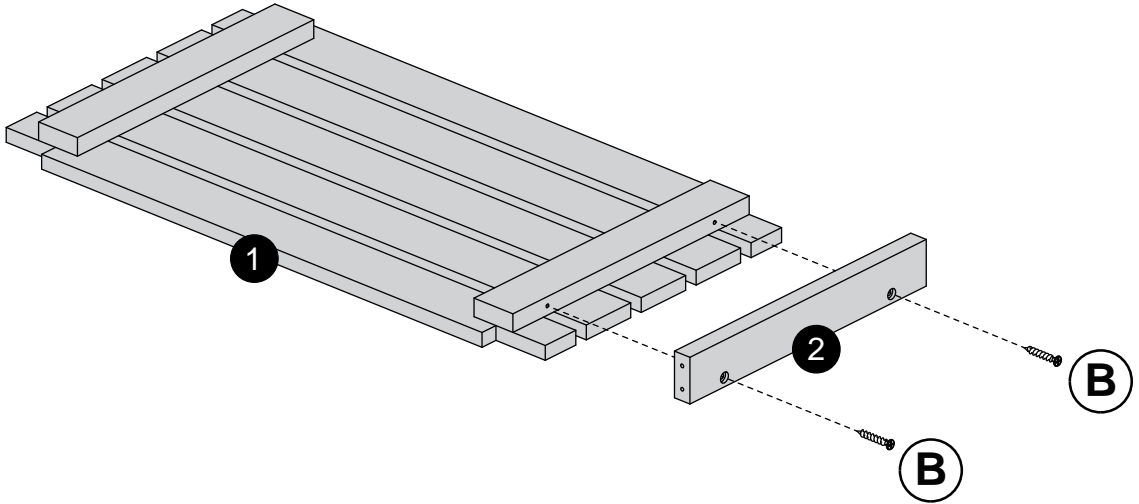
STEP 4

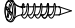
 **(A)** X3

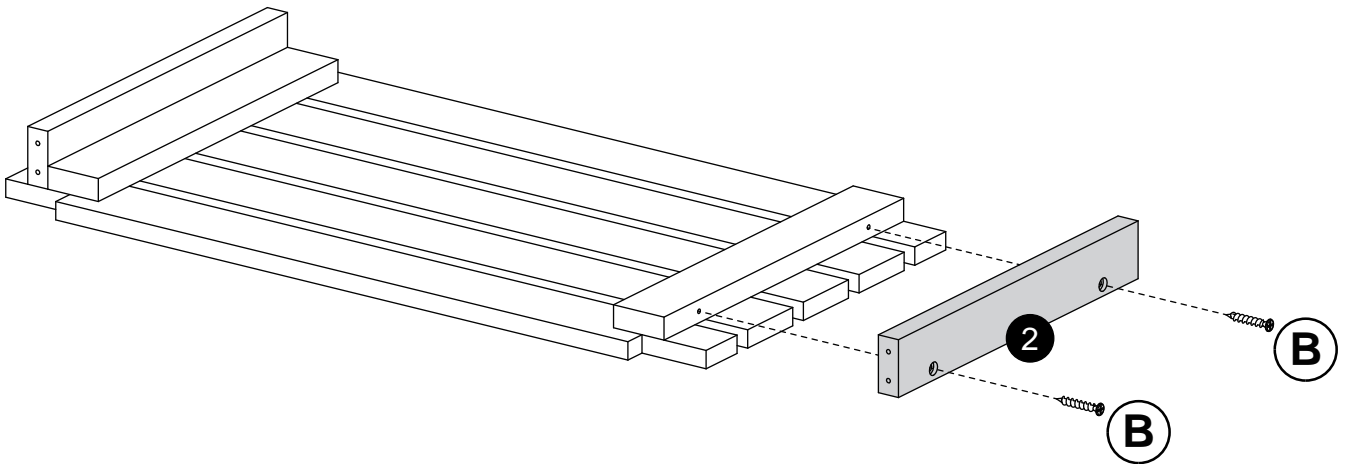


INSTALLATION STEPS

STEP 5  **(B) X2**

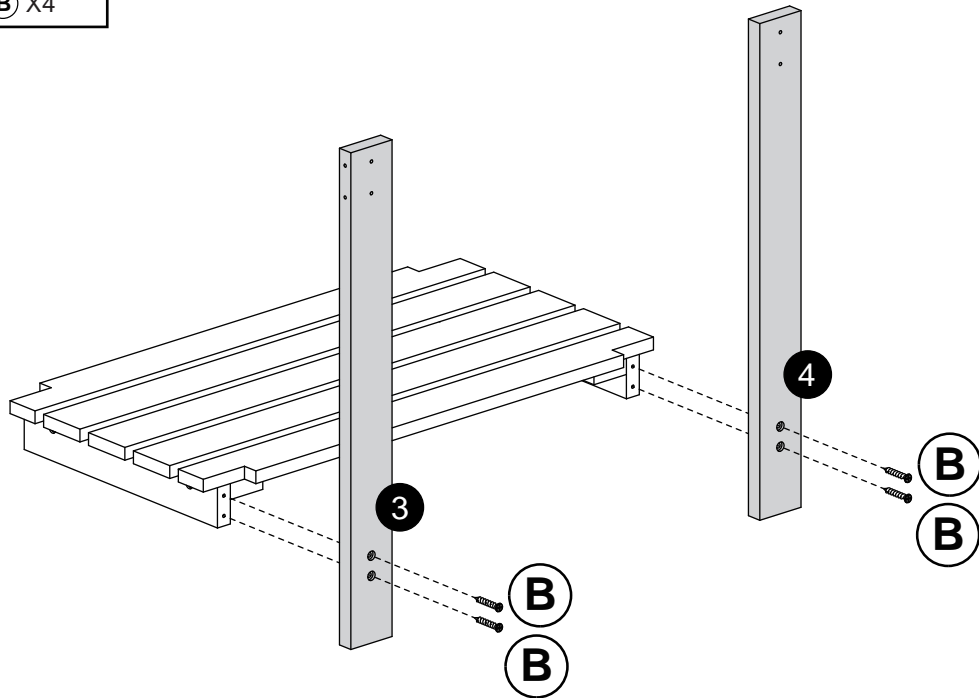


STEP 6  **(B) X2**

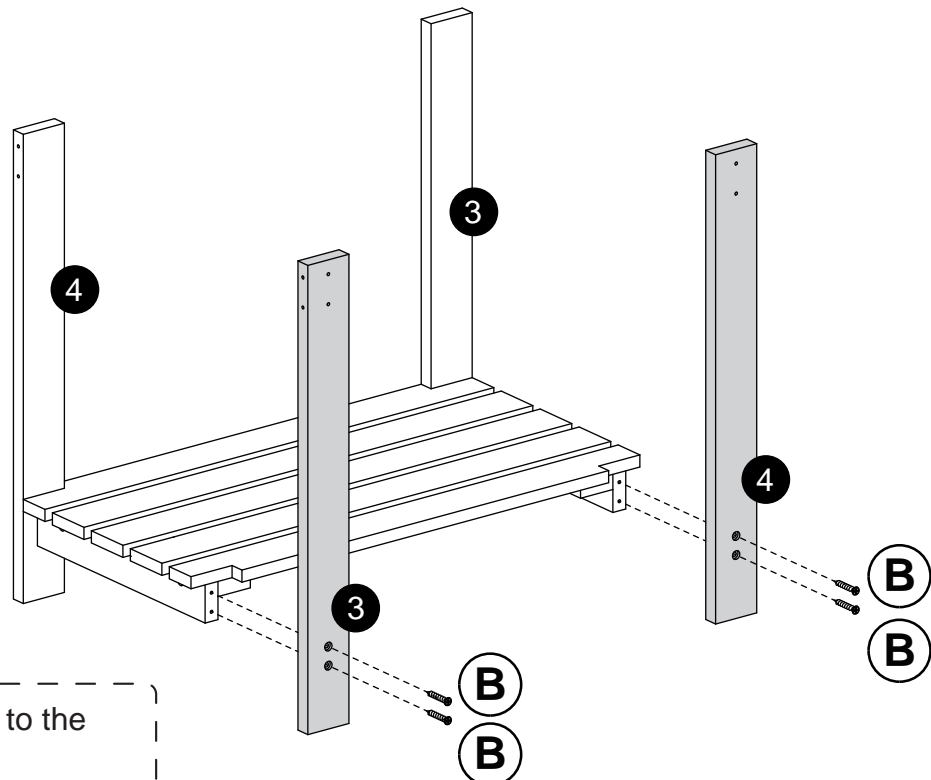


INSTALLATION STEPS

STEP 7



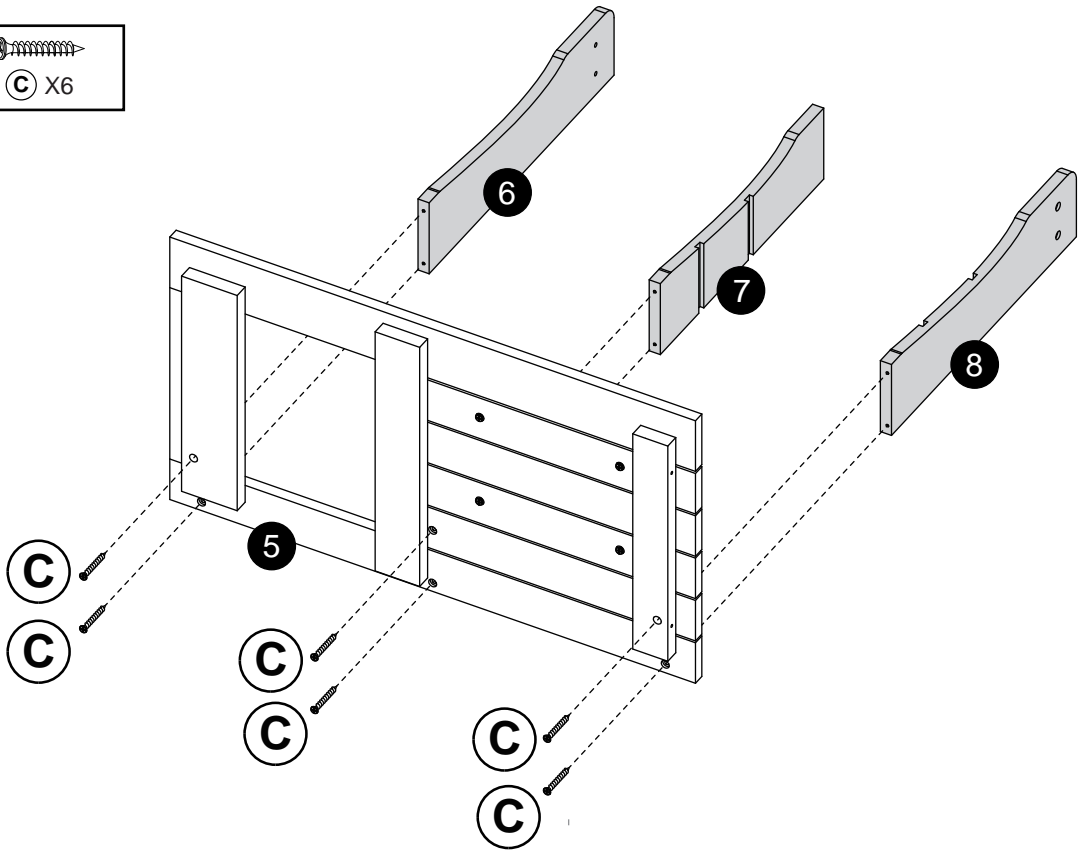
STEP 8

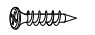


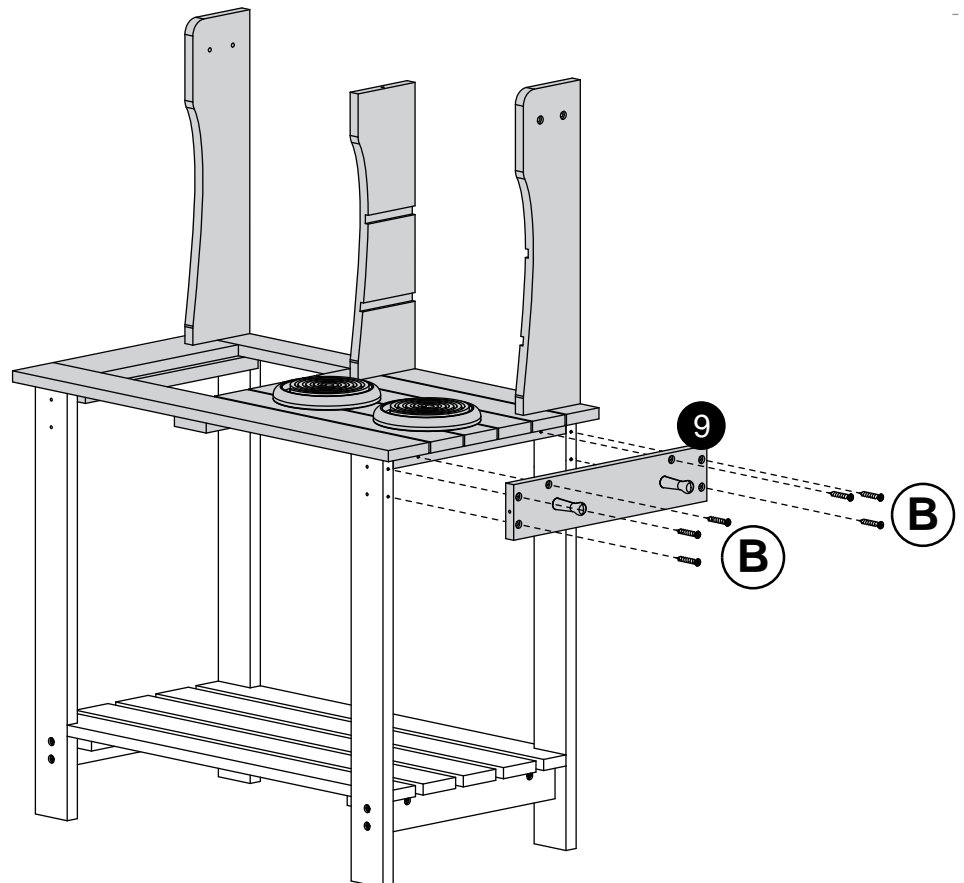
NOTE: Pay attention to the diagonals.

INSTALLATION STEPS

STEP 9  **(C) X6**



STEP 10  **(B) X6**

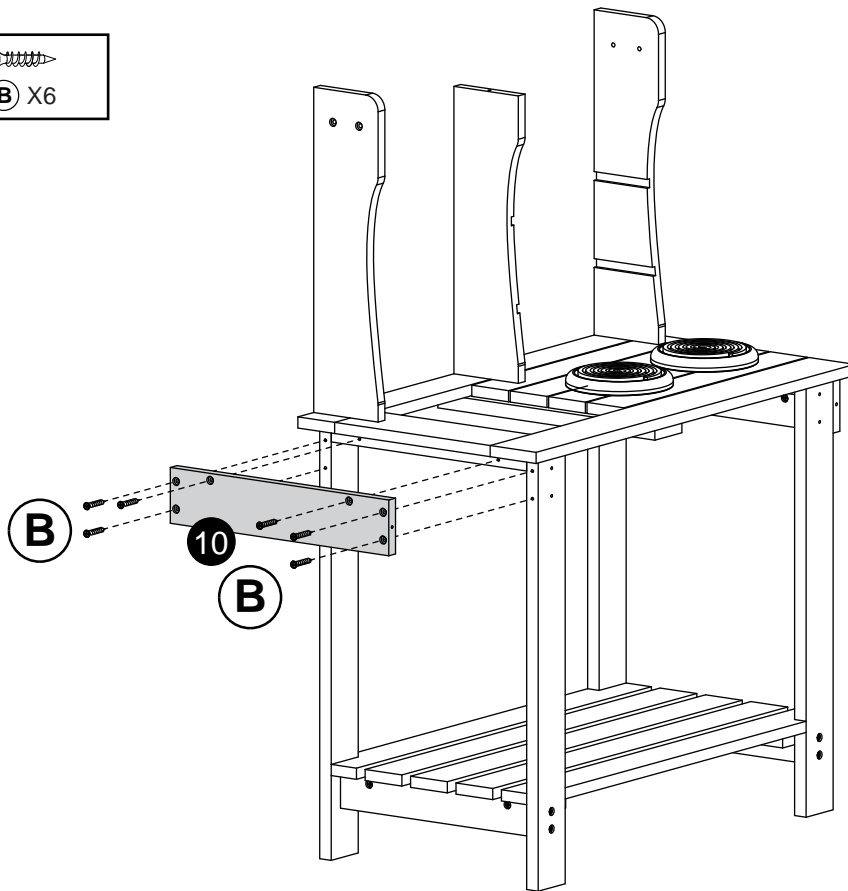


INSTALLATION STEPS

STEP 11



(B) X6

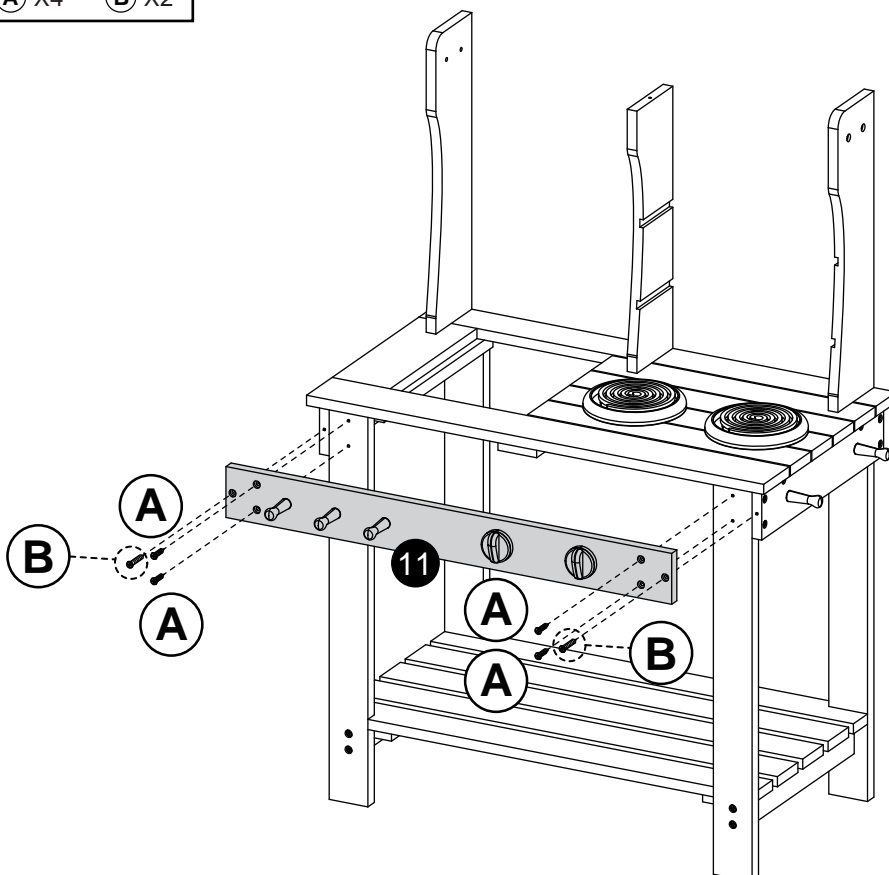


STEP 12

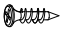



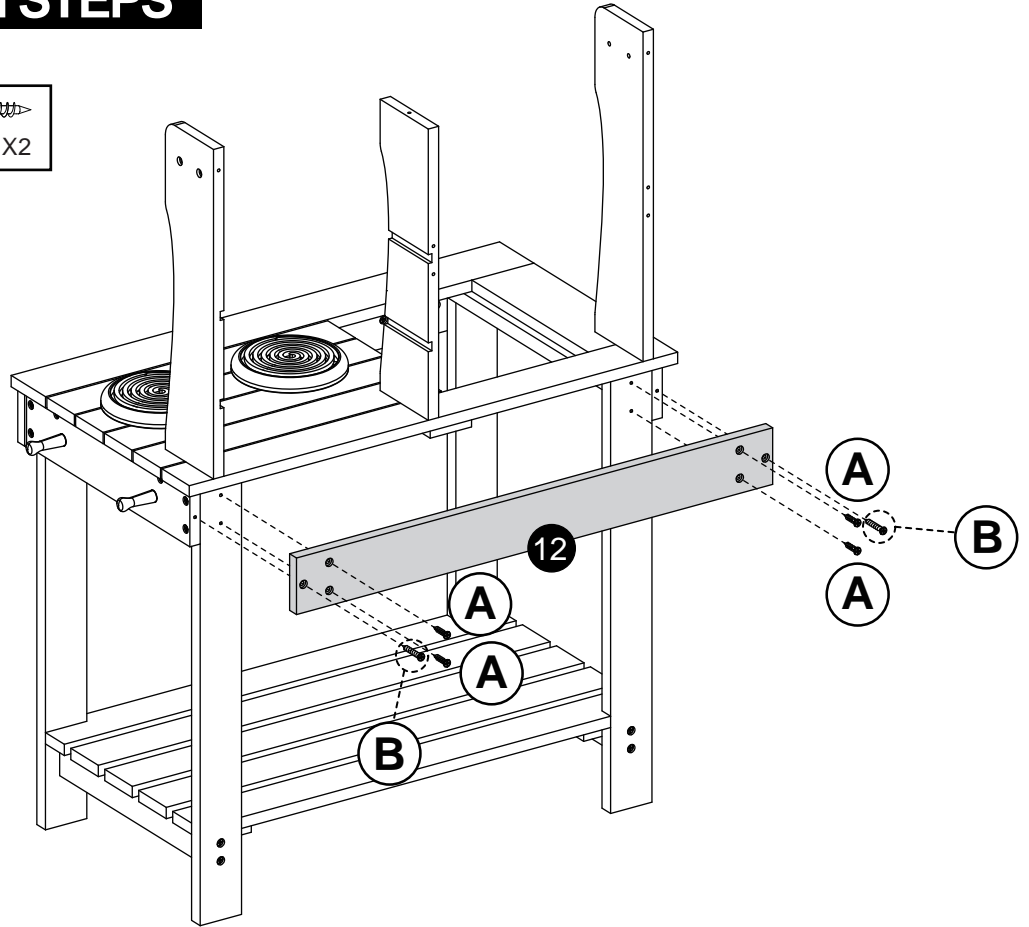
(A) X4

(B) X2

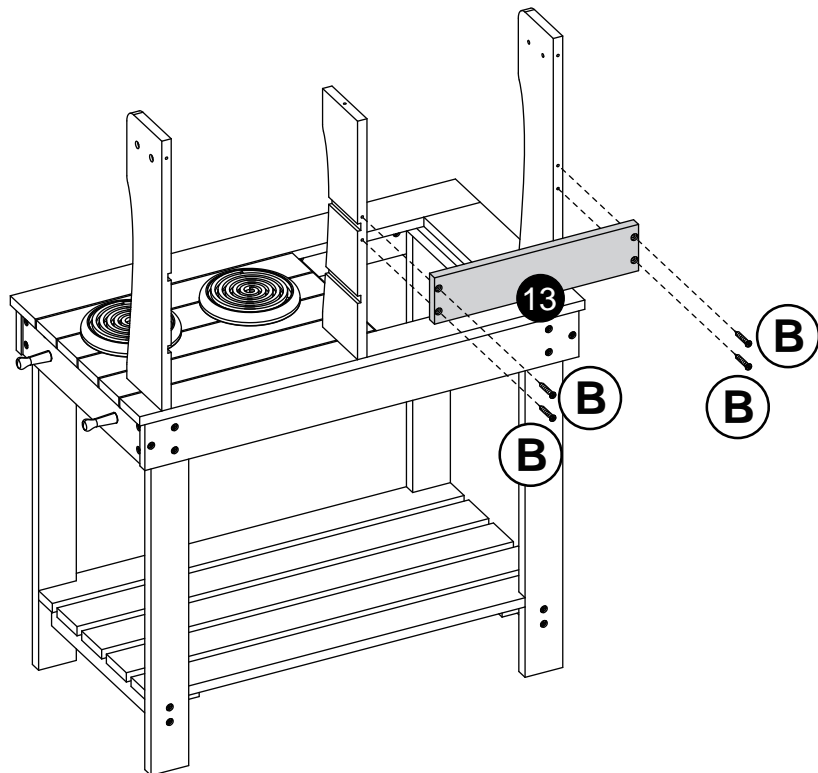


INSTALLATION STEPS

STEP 13  
 (A) X4 (B) X2

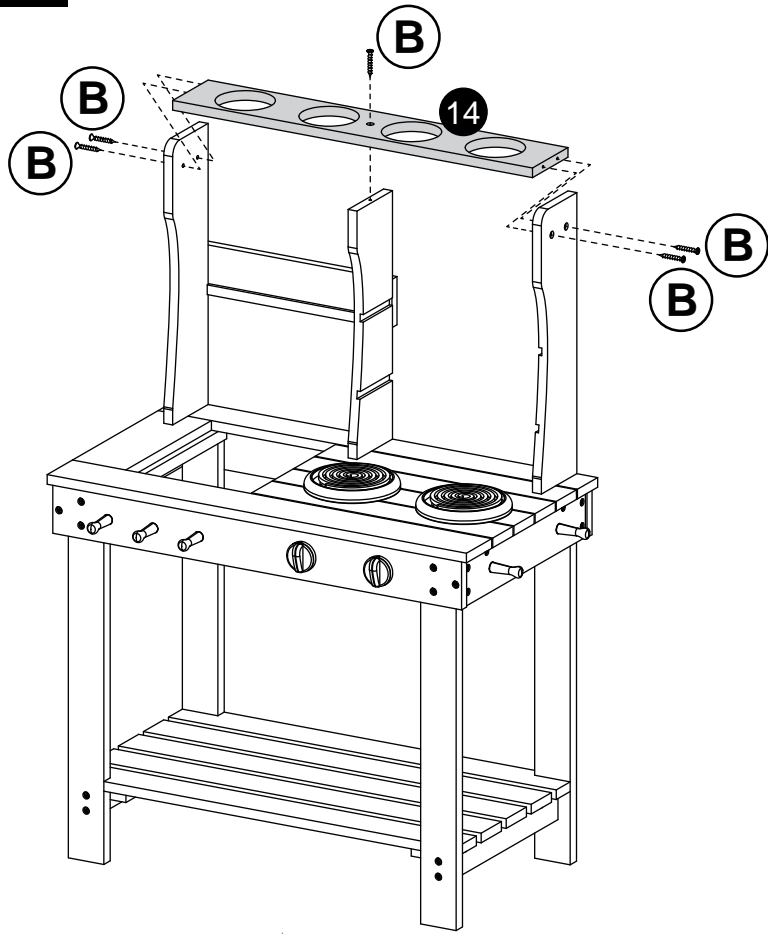


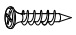
STEP 14 
 (B) X4

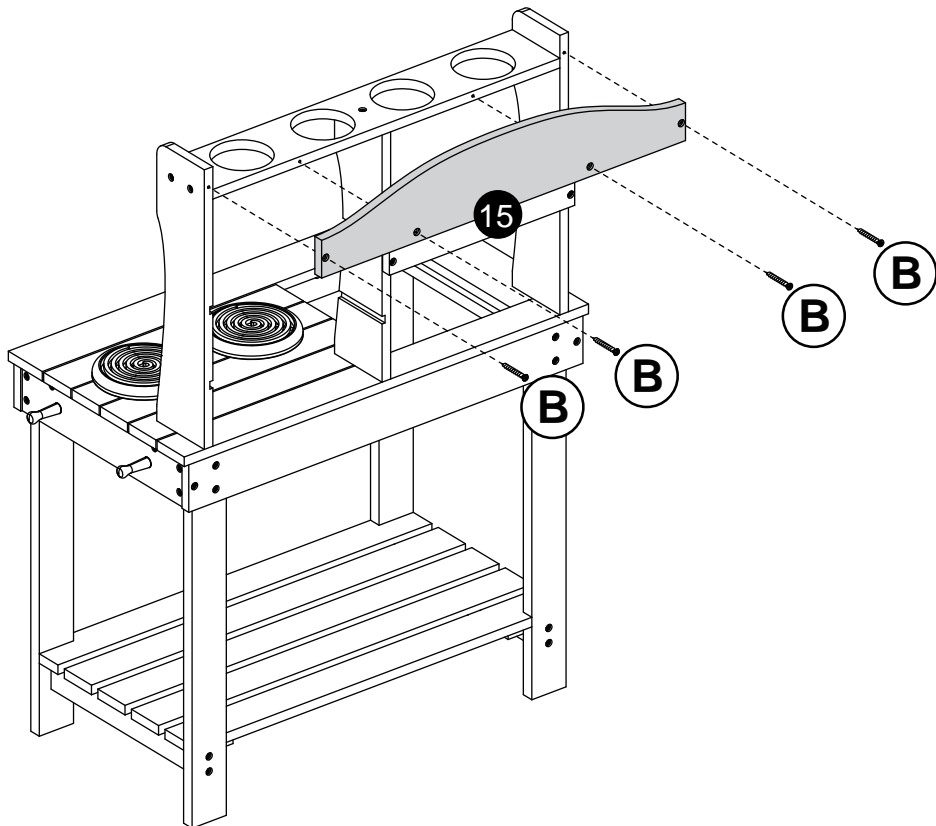


INSTALLATION STEPS

STEP 15  **(B) X5**

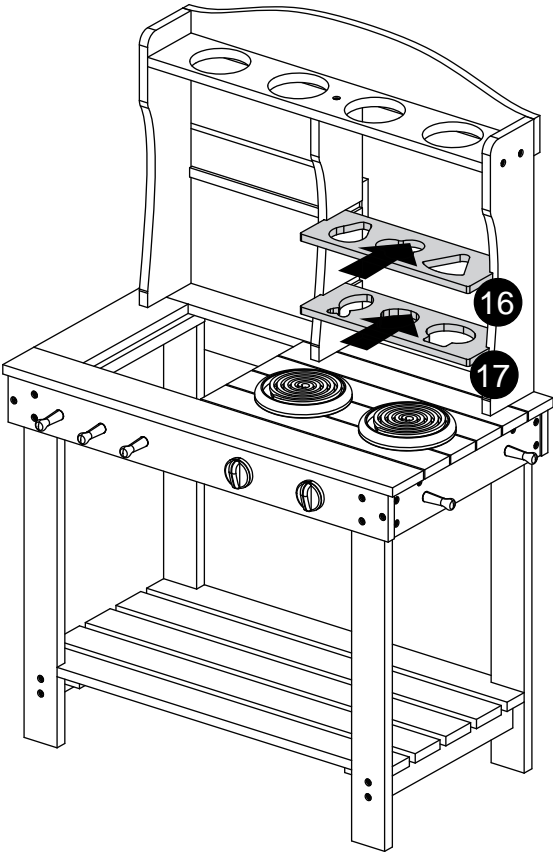


STEP 16  **(B) X4**

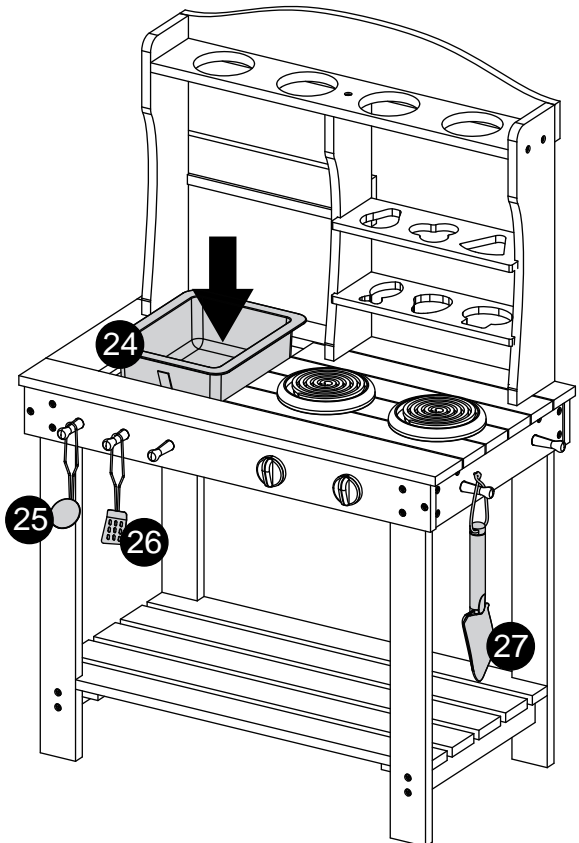


INSTALLATION STEPS

STEP 17

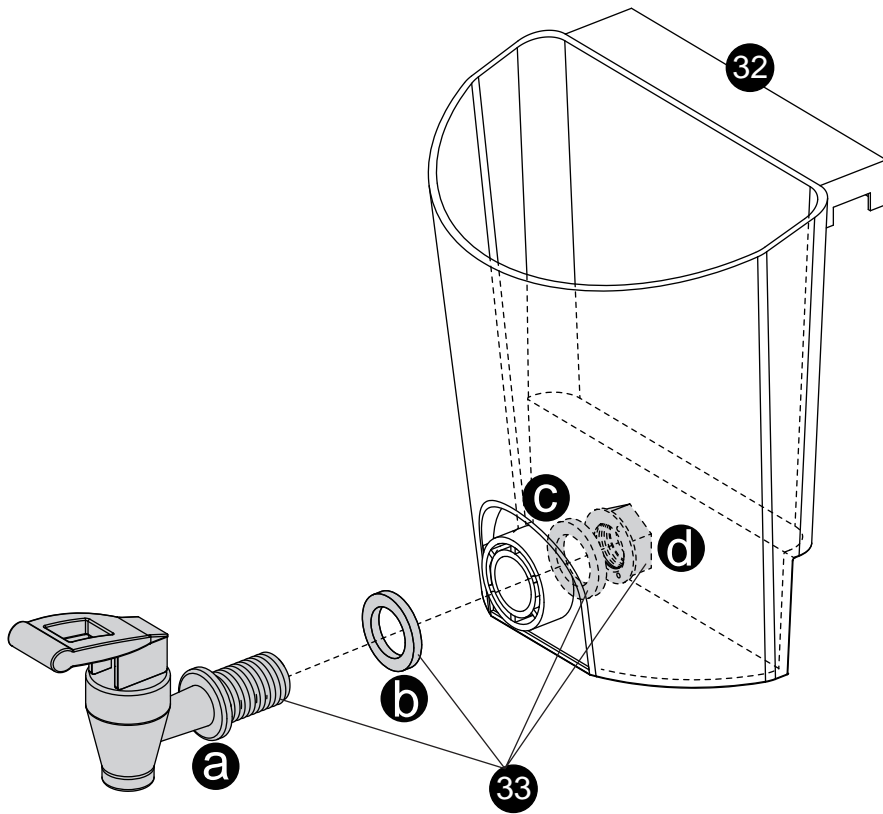


STEP 18

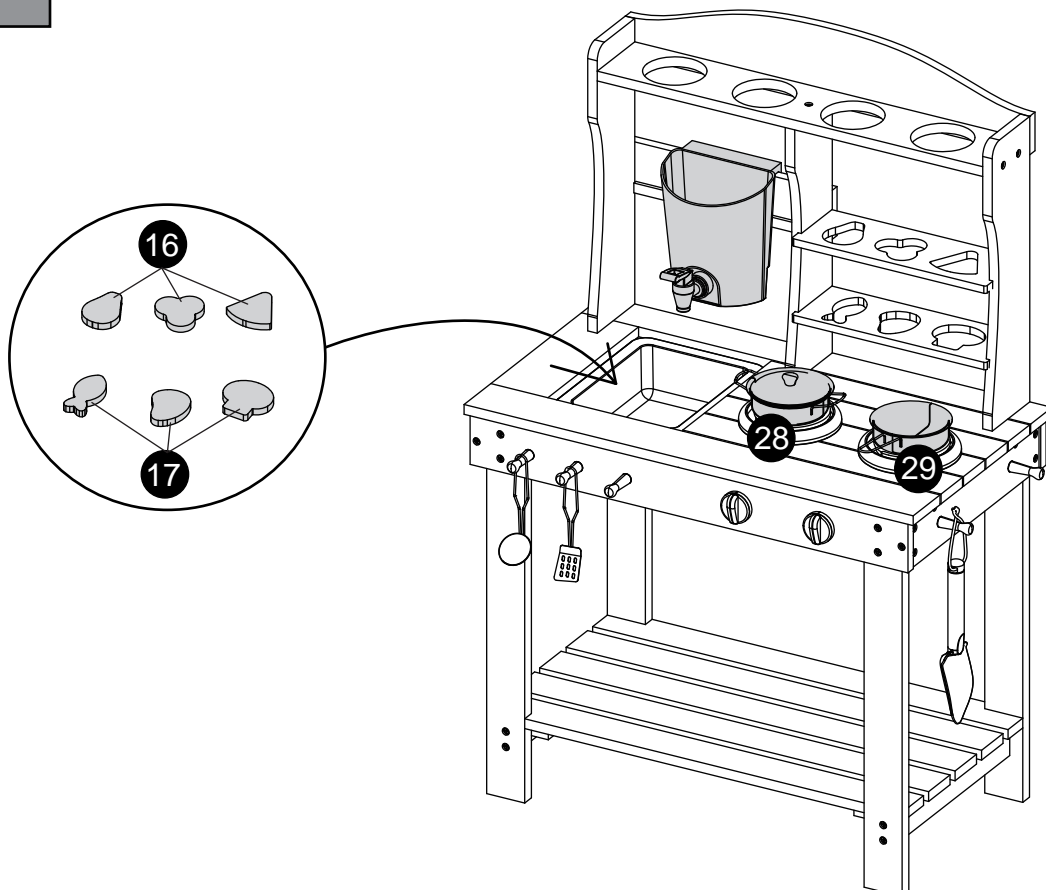


INSTALLATION STEPS

STEP 19

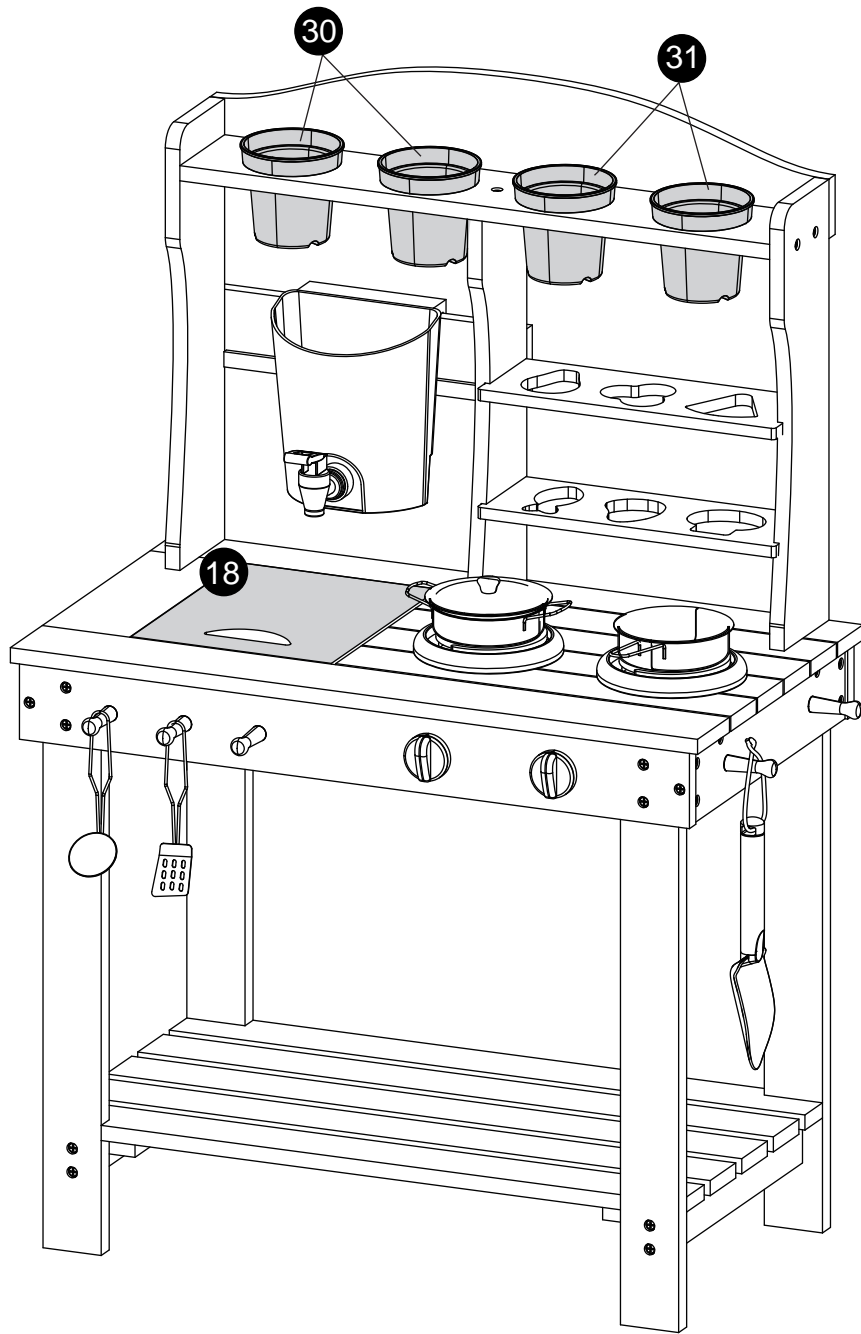


STEP 20

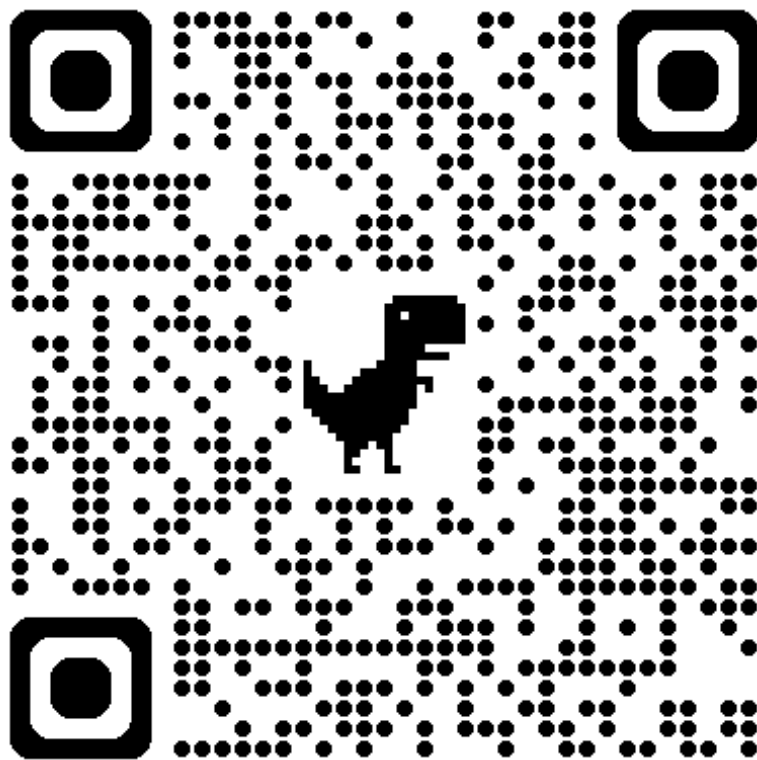


INSTALLATION STEPS

STEP 21



**Please scan the QR code above
for installation video!**



Question about your product? We're here to help.

Contact Us Via: bierumbaby@hotmail.com

We offer 24 hours customer service. If you experience any problems with missing parts, please feel free to contact us. We will arrange for new parts as soon as possible. Your satisfaction is our top priority.

Thank you for choosing us!