

ASSEMBLY INSTRUCTIONS

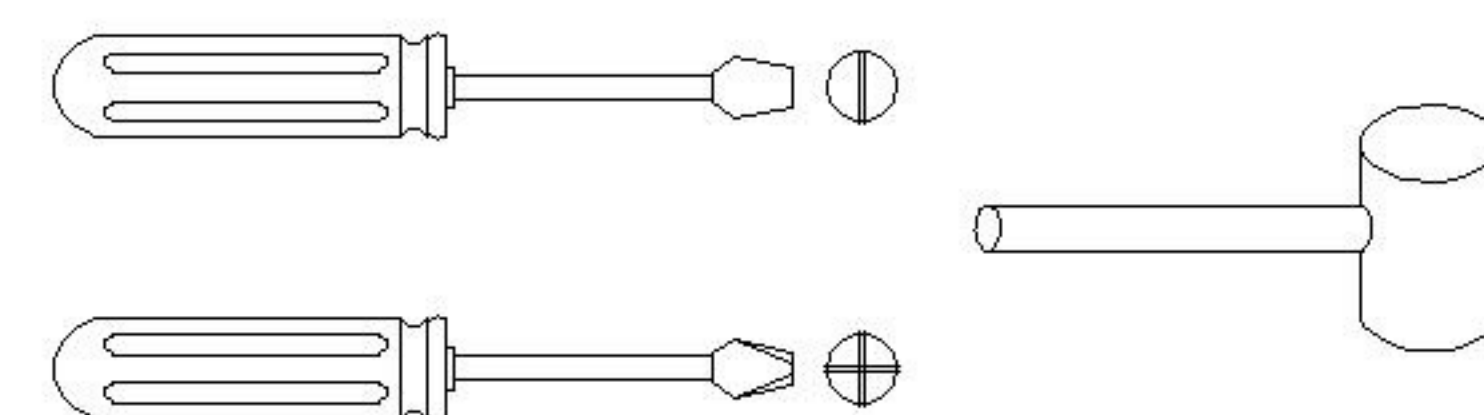
Two Door Vilas Buffet

ASSEMBLY
REQUIREMENTS

2–Person
Assembly

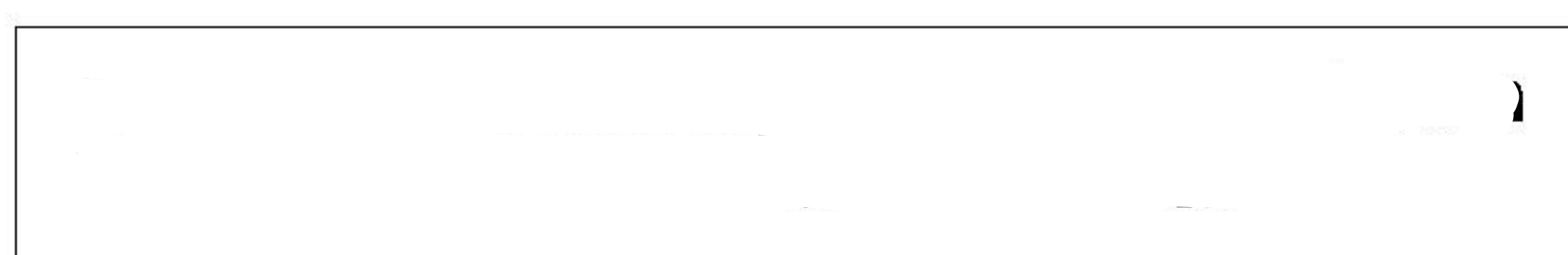
2.5Hour
Assembly Time
(Approximate)

Tool Required
(Not Provided)



Thank you for purchasing our product!

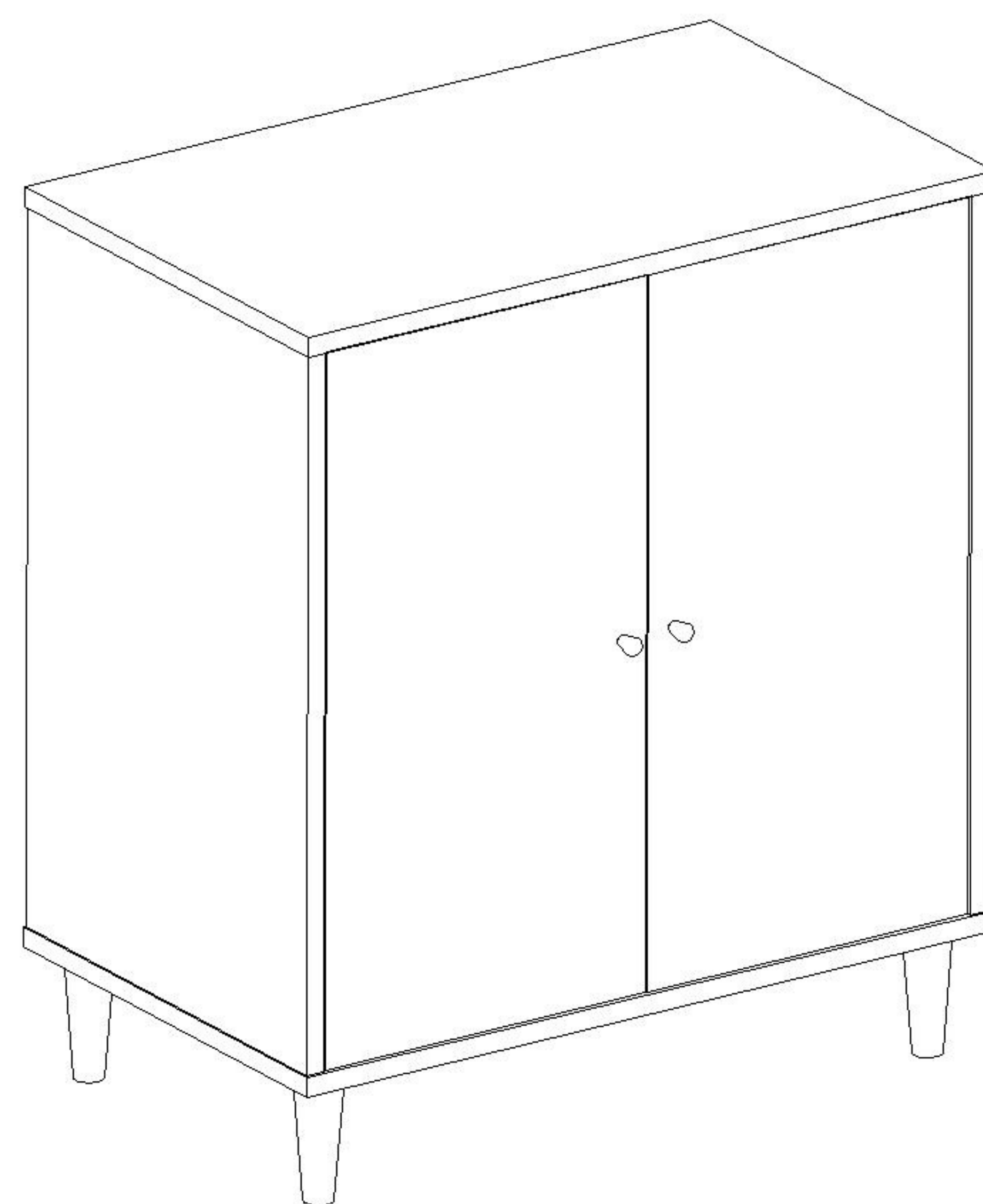
Please refer and use this assembly instruction to assemble the product. Contact our customer service department in case there are any missing or damage parts or hardware. Replacement parts are normally shipped within 2 or 3days.



**PRODUCTS PURCHASED THROUGH OUR AUTHORIZED VENDORS ONLY
ARE ELIGIBLE FOR REPLACEMENT PARTS**

We appreciate your business!

**THIS PRODUCT IS FOR INDOOR AND HOUSEHOLD USE ONLY –
NOT FOR COMMERCIAL USE.**



ASSEMBLY PREPARATION:

- 1 .Remove all packaging materials, staples and packing straps from the carton.
- 2 .Refer to Part List and Hardware List and ensure parts and hardware are correct before assembly.
Contact customer service for missing parts.
- 3 .Place all wooden parts on clean ,flat and soft surface (e.g. carpet or rug)to prevent scratch and damage to parts.

SAFETY PRECAUTION:

- 1 .Keep ALL HARDWARE PART OUT OF REACH OF CHILDREN.
- 2 .DISPOSE PLASTIC PACKAGING MATERIAL IMMEDIATELY TO AVOID ANY RISK OF SUFFOCATION TO CHILDREN AND ANIMALS

TIPS FOR ASSEMBLY:

- 1 .Allow ample room for assembly and in close proximity to where product will be placed.
- 2 .Assemble the product on a surface that does not scratch or damage the exterior gloss and finish of the furniture.
- 3 .Identify all the parts ,hardware and quantities required for each step.
- 4 .During assembly ,do not over-tighten any fittings as this may cause damage.
- 5 .DO NOT USE POWER TOOLS TO ASSEMBLE THIS PRODUCT.
- 6 .Always place the product on a flat ,level surface.
- 7 .Do not sit or stand on the partially assembled product; only use the product for which it is intended.

CARE AND MAINTENANCE:

- Wipe clean with a soft, dry cloth; avoid the use of harsh chemicals or household cleaners as they may damage the exterior finish of the furniture.
- **Hardware may loosen over time. Periodically, check that all connections are tight; re-tighten as necessary.**
- Solid wood is impacted by heat and humidity fluctuations which may cause small joint separations or hairline cracks; place the furniture away from direct sunlight and air conditioning vents, heating vents or units to protect the furniture.

ASSEMBLY INSTRUCTIONS

Two Door Vilas Buffet

PARTS PACKING LIST

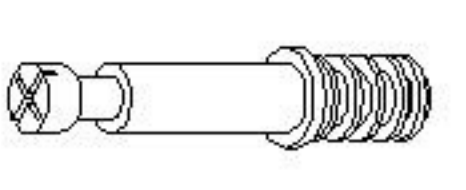
PARTS IN BOX 1

NAME: TOP PANEL	QTY: 1Pc	CODE: 1
NAME: BOTTOM PANEL	QTY: 1Pc	CODE: 4
NAME: SHELF	QTY: 2Pcs	CODE: 5
NAME: LEG	QTY: 4Pcs	CODE: 6
NAME: BACK PANEL	QTY: 1Pc	CODE: 8
NAME: HARDWARE + AI	QTY: 1Pack	
NAME: HINGES	QTY: 1Pack	

PARTS IN BOX 2

NAME: DOOR	QTY: 2Pcs	CODE: 7
NAME: LEFT PANEL	QTY: 1Pc	CODE: 2
NAME: RIGHT PANEL	QTY: 1Pc	CODE: 3

HARDWARE LIST

NO	DESCRIPTION	QTY	EXTRA	NO	DESCRIPTION	QTY	EXTRA
A	 CHIPBOARD SCREW M4 x 16MM	24	1	J	 SHELF PIN	8	1
B	 CHIPBOARD SCREW M4 x 38MM	6	1	K	 PANHEAD CHIPBOARD SCREW M4 x 16MM (BLACK)	20	1
C	 WOOD DOWEL M8 x 35MM	8	1	L	 CHIPBOARD SCREW M3 x 12MM	8	1
D	 CAM-LOCK 15 x 12	6	1	M	 MAGNETIC CATCH	4	
E	 CAM-BOLT 5 x 25	6	1	N	 METAL PLATE	4	
F	 HANDLE	2		W	 CHIPBOARD SCREW M4 x 25MM	4	1
G	 PANHEAD SCREW M4 x 25MM	2	1	X	 FLAT WASHER M4	2	
H	 CAM-LOCK COVER 17 x 5	6	1	Y	 WALL ANCHOR	2	
I	 HINGES H7	4		Z	 SAFETY STRAP 150mm	2	

** EXTRA HARDWARE FOR SPARE USE

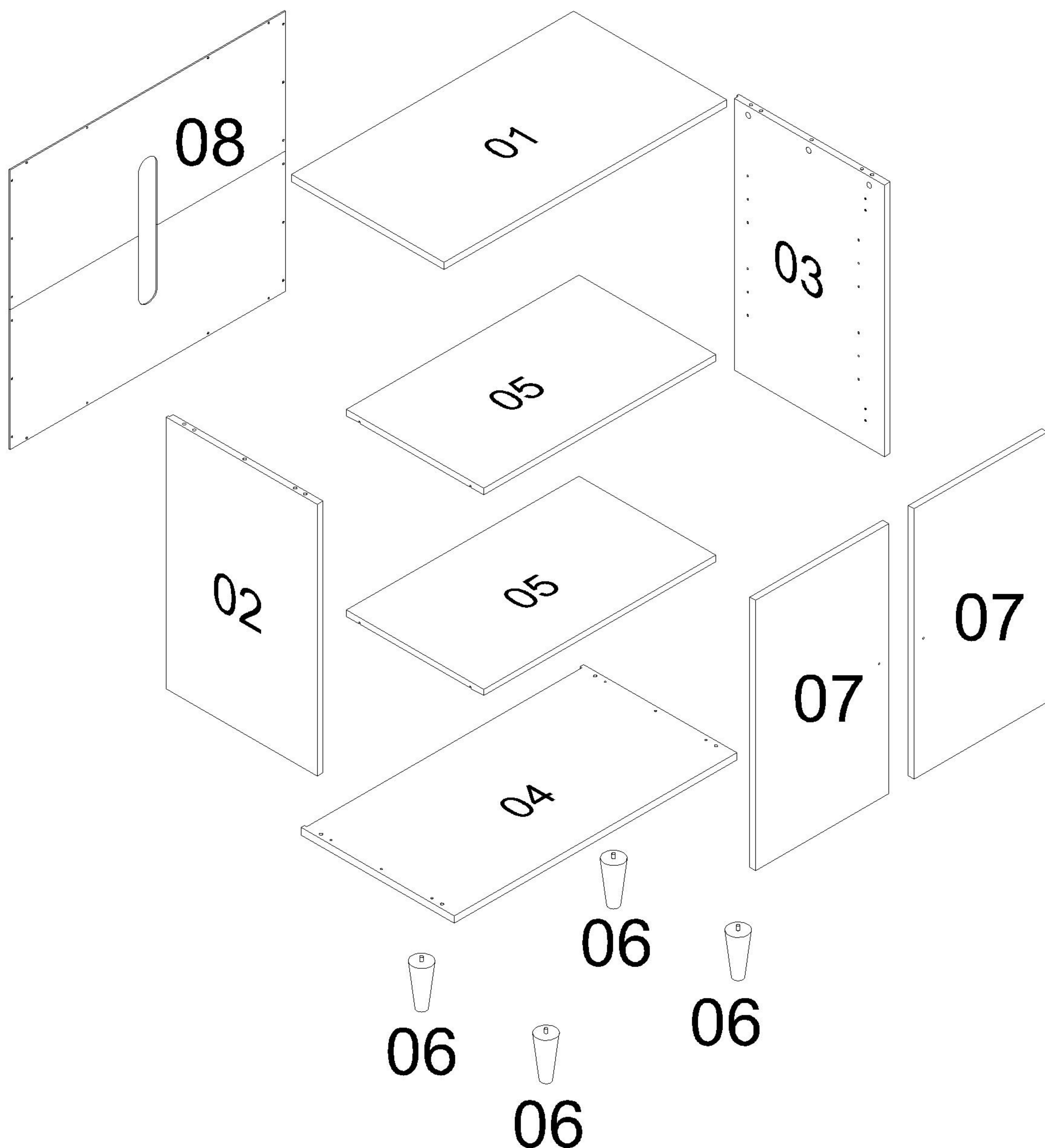
ASSEMBLY INSTRUCTIONS

Two Door Vilas Buffet

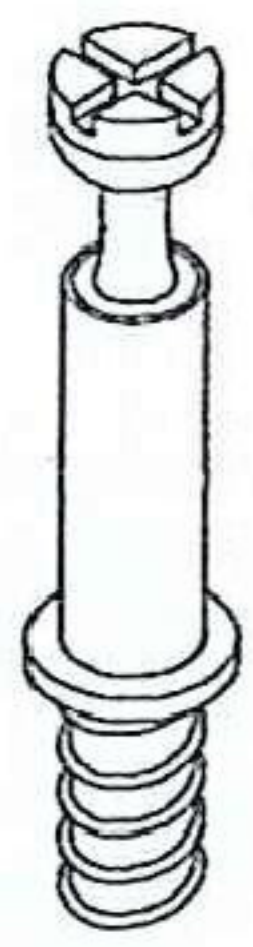
PARTS LIST

NO	PART NAME	QTY	NO	PART NAME	QTY
1	TOP PANEL	1	5	SHELF	2
2	LEFT PANEL	1	6	LEG	4
3	RIGHT PANEL	1	7	DOOR	2
4	BOTTOM PANEL	1	8	BACK PANEL	1

PARTS ASSEMBLY OVERVIEW



INSTRUCTION FOR CAM-BOLT & CAM-LOCK

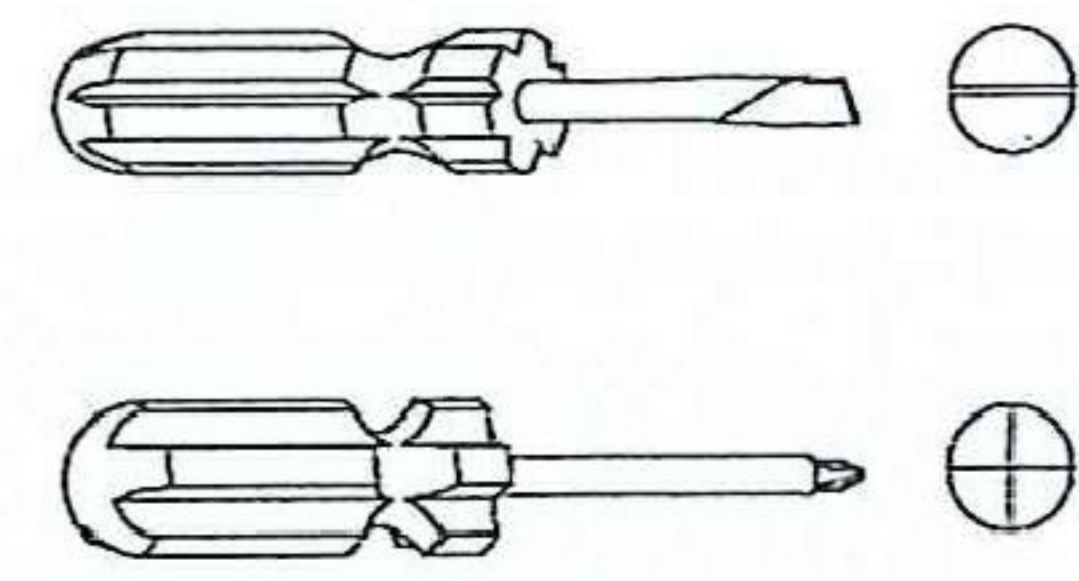


CAM-BOLT

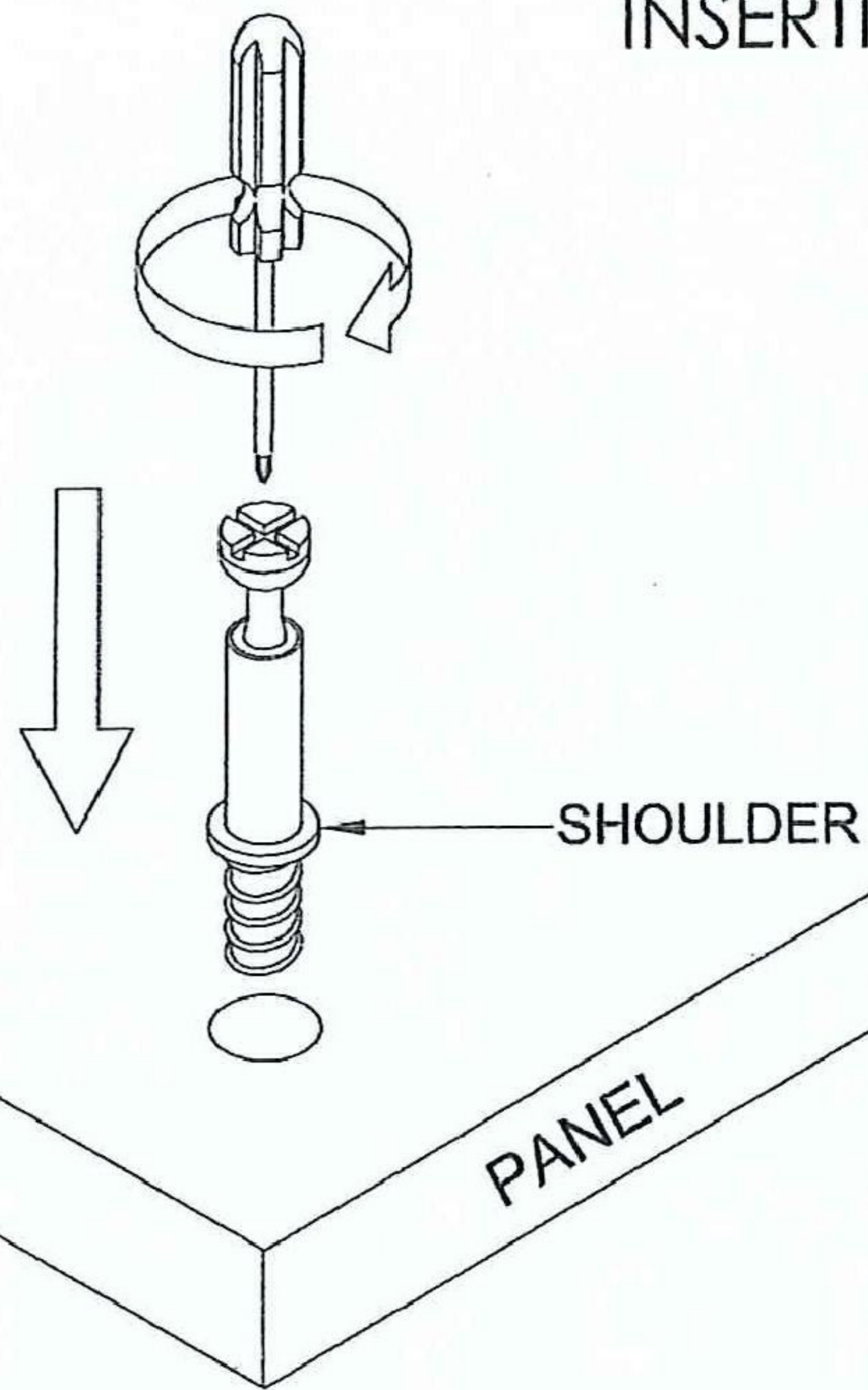


CAM-LOCK

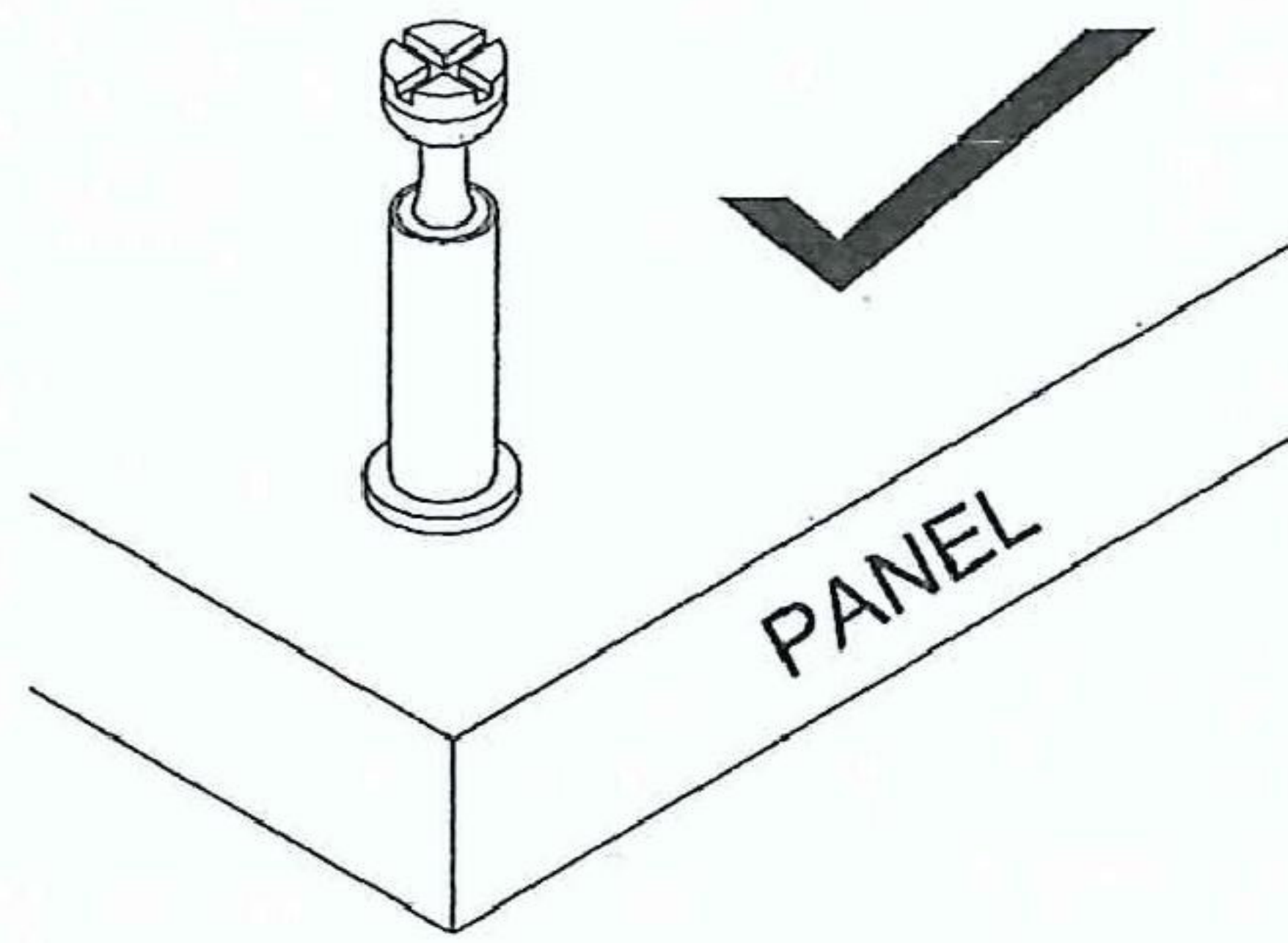
Tools Required



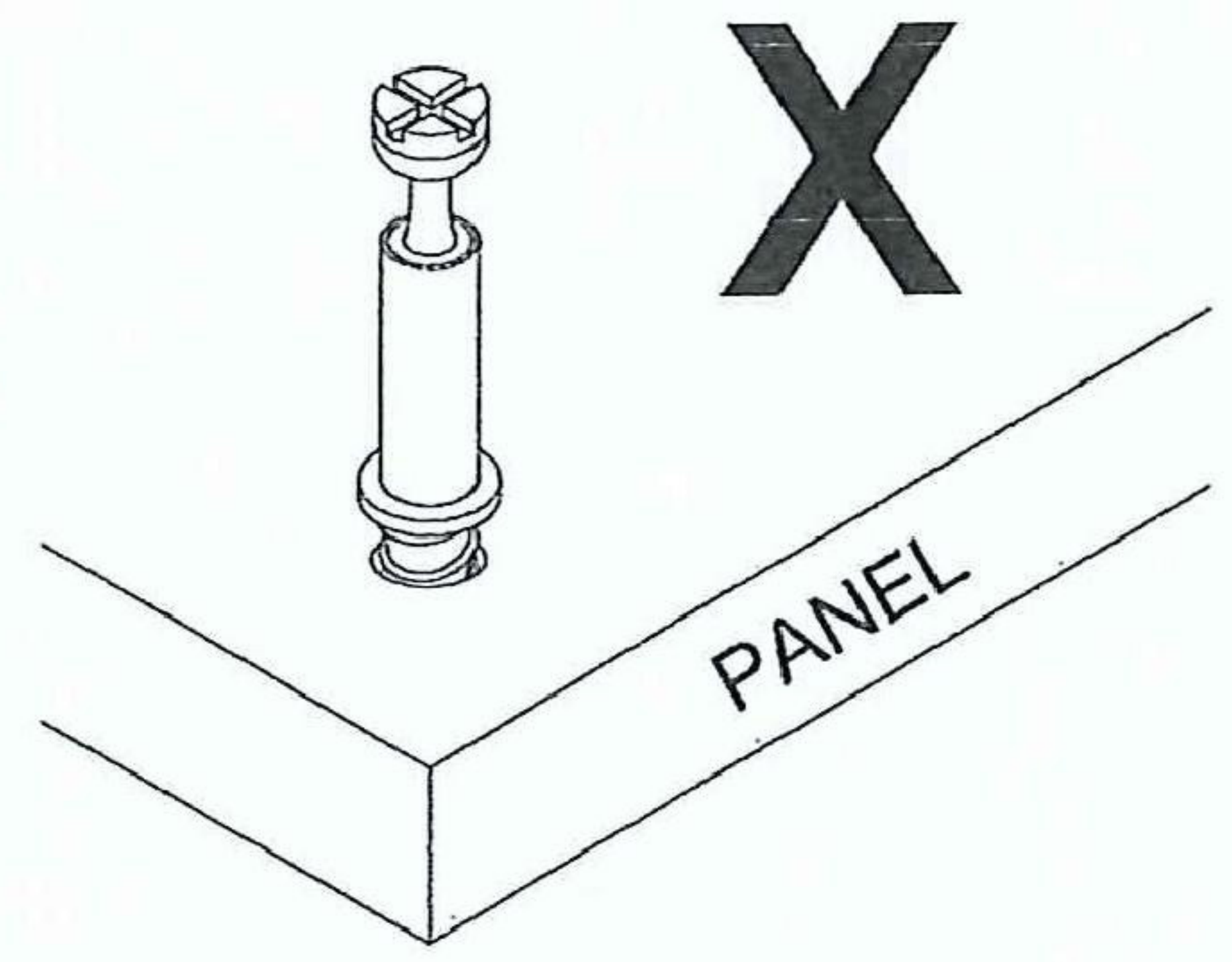
INSERTING AND TIGHTENING CAM-BOLT



Place Cam-bolt on pre-drilled hole and screw in vertically



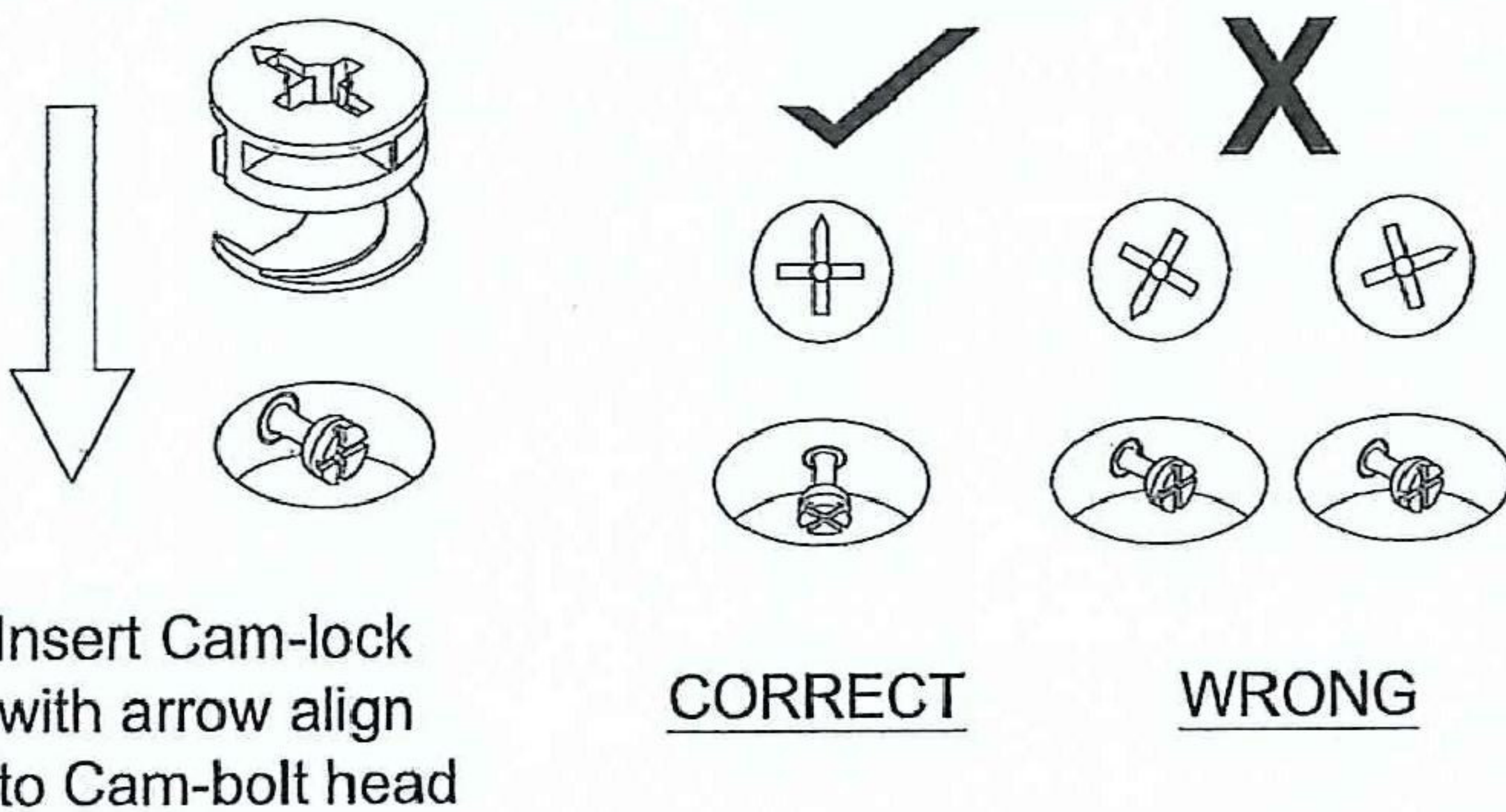
Shoulder is flushed (on the same level) with the panel.



Shoulder is above the panel.

Place Cam-bolt on the designated pre-drilled holes on the panel. Use a Phillips Screwdriver to screw-in Cam-bolt vertically until shoulder is flushed (on the same level) with panel.

INSERTING CAM-LOCK

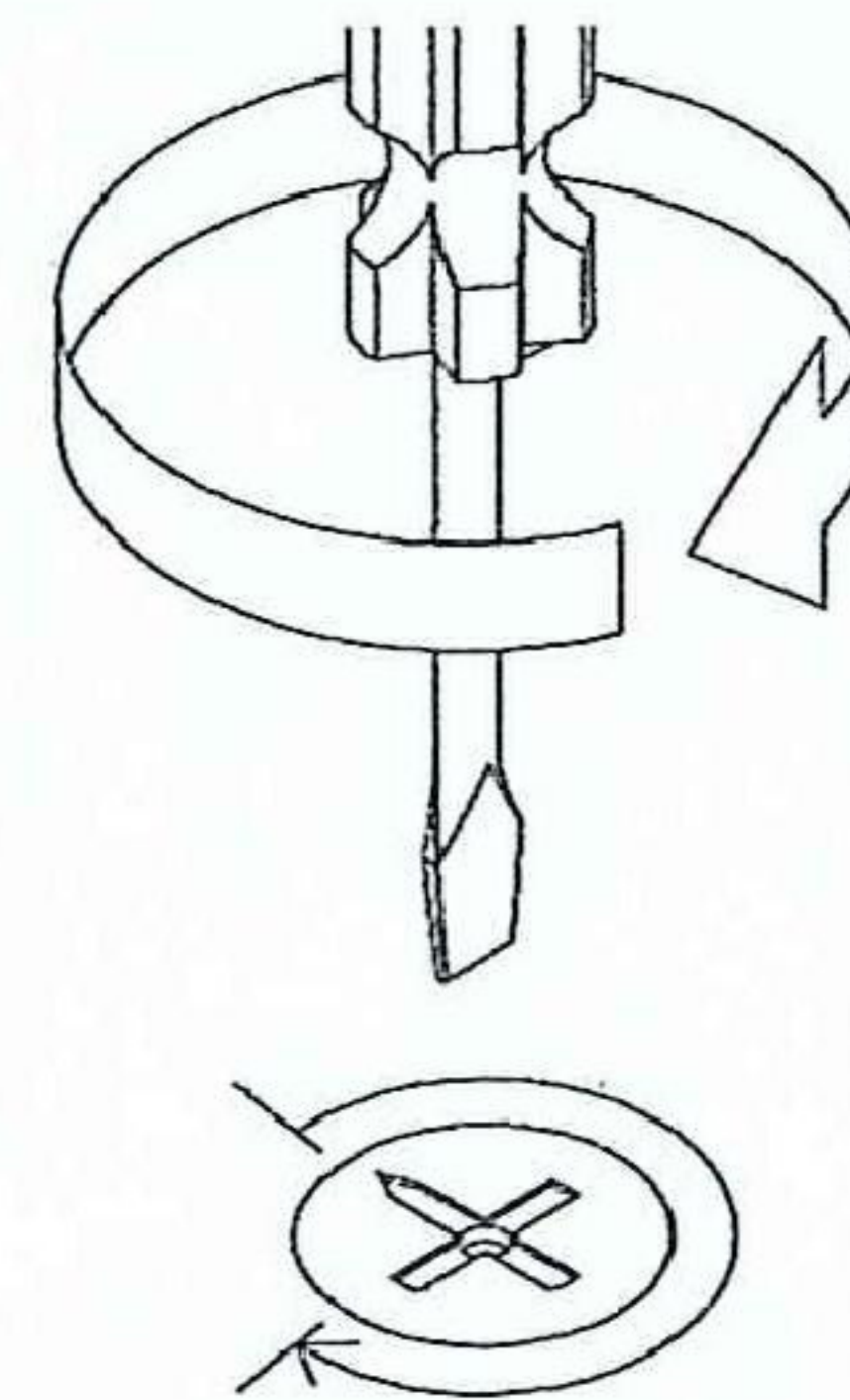


Insert Cam-lock with arrow align to Cam-bolt head

CORRECT

WRONG

TIGHTENING CAM-LOCK

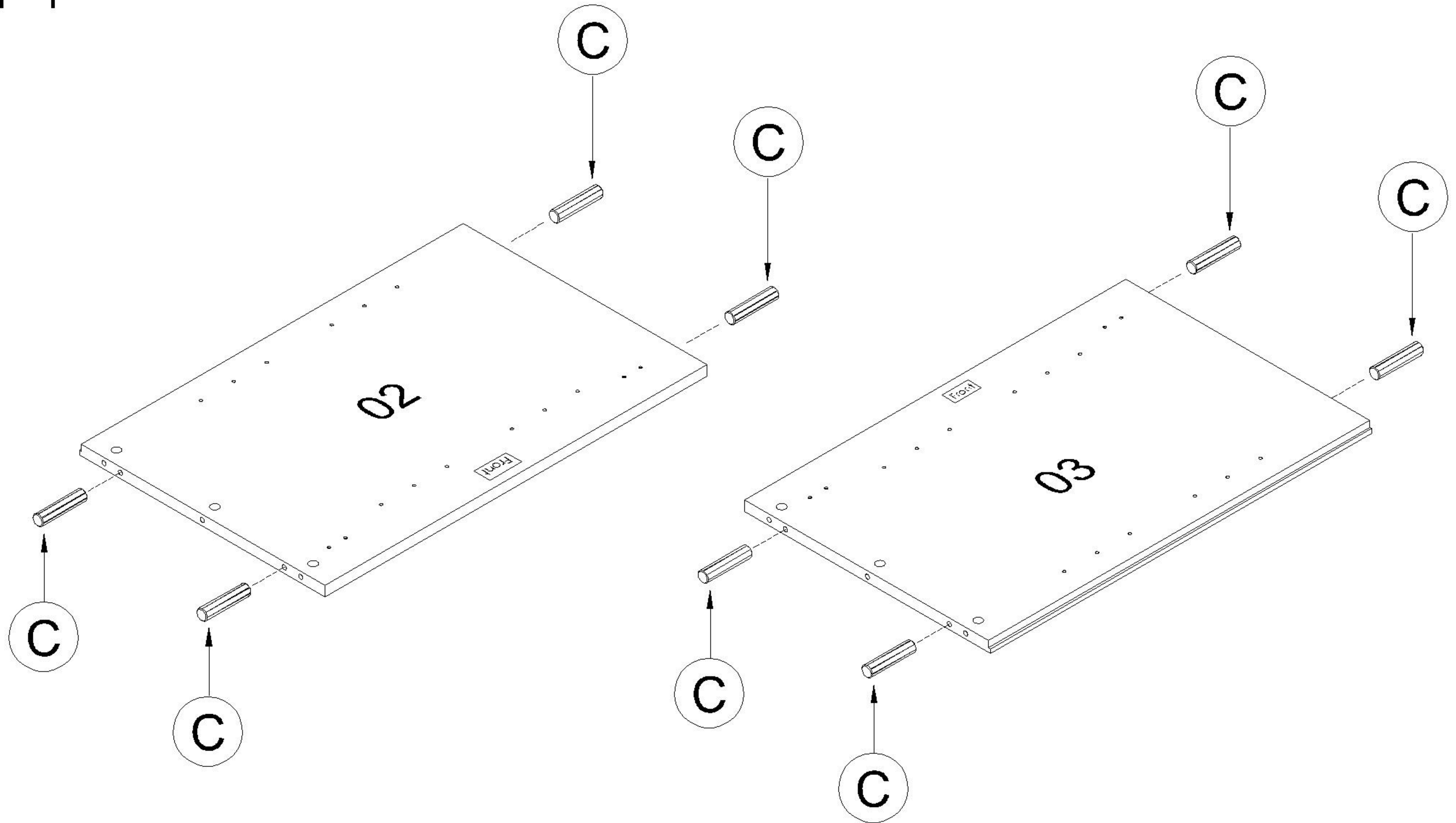


Use a Flat-head Screwdriver to turn Cam-lock clockwise so it locks onto the head of the Cam-bolt. Turn until it is snug (about 3/4ths of a turn) -- over-tightening could damage Cam-lock or/and Cam-bolt.

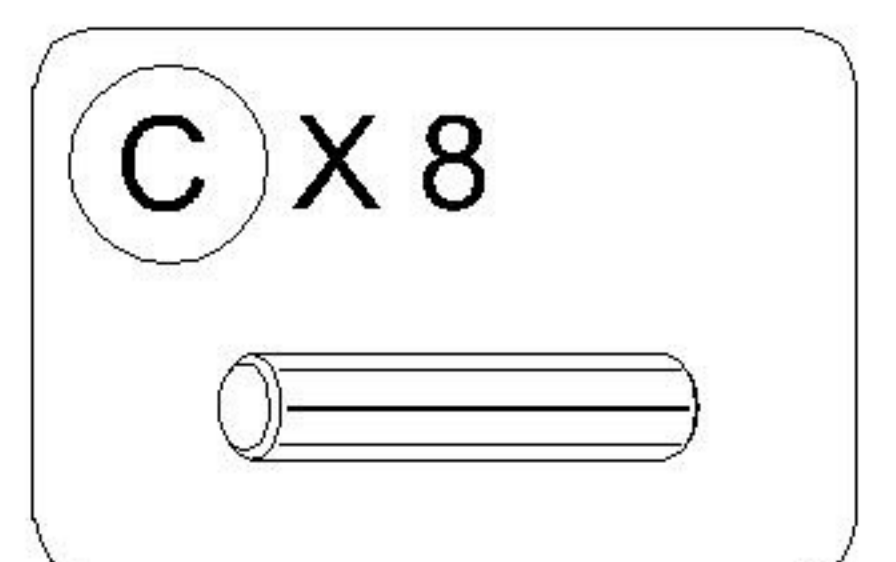
CAM-LOCK

Align the arrow on the Cam-lock to the Cam-bolt head and insert the Cam-lock. Ensure Cam-lock is fully inserted.

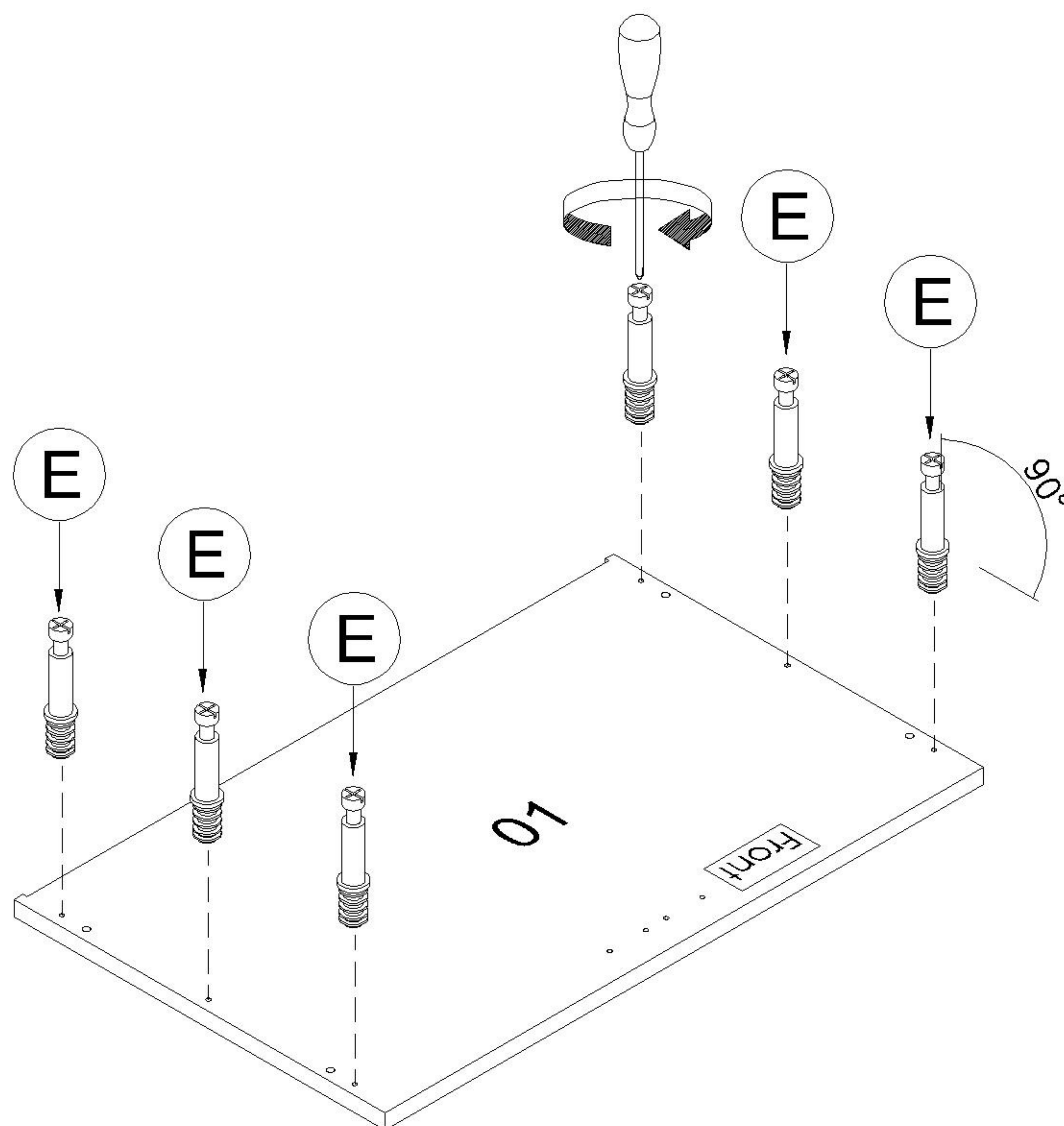
STEP 1



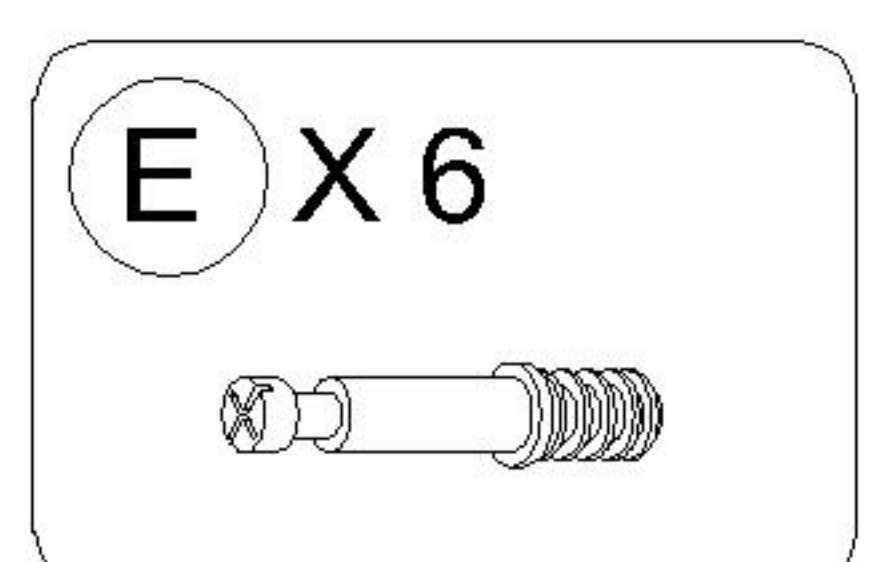
Lay Left & Right Panel (2 & 3) flat on a material that does not scratch or damage the parts and insert Wood Dowel (C) into the designated holes as shown. Use mallet or hammer to lightly tap in Wood Dowel (C) if necessary.



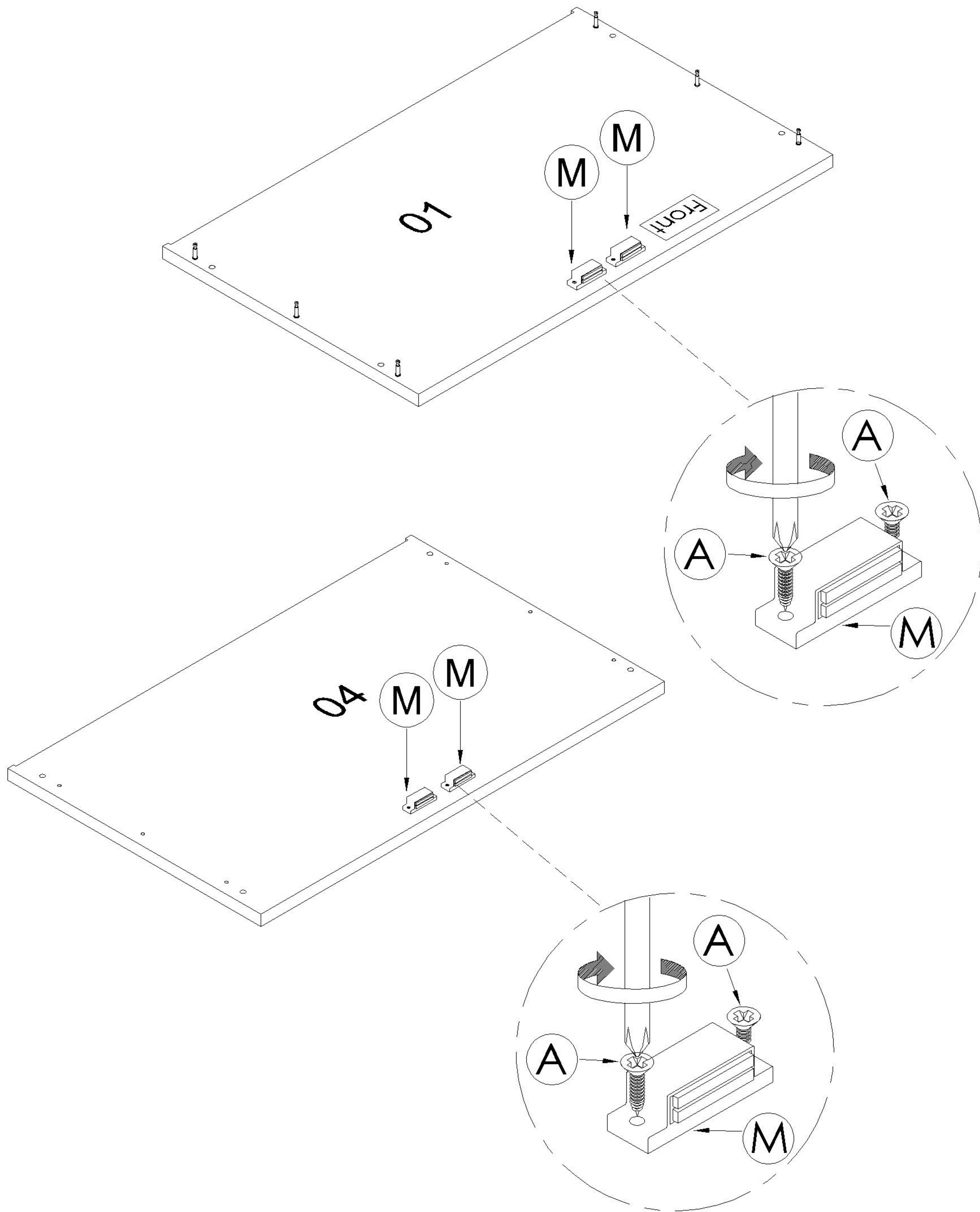
STEP 2



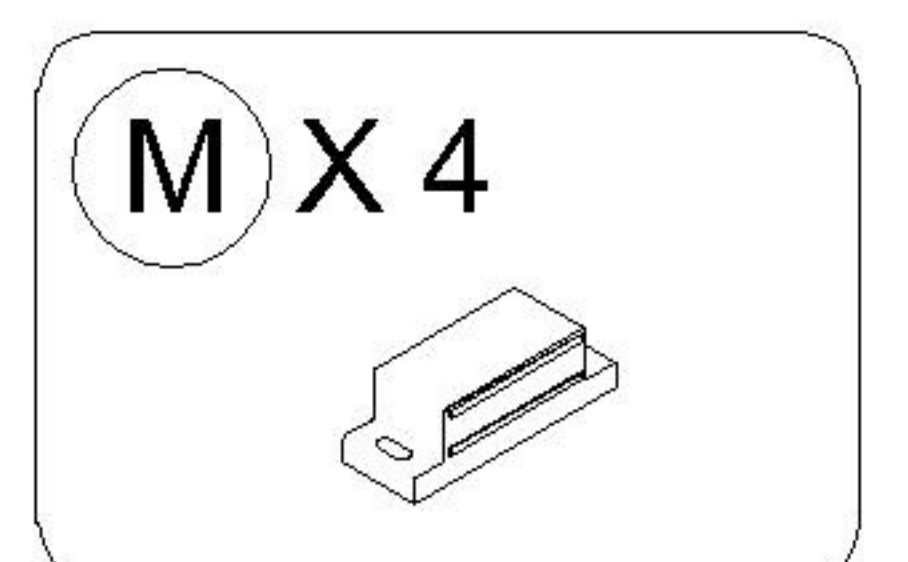
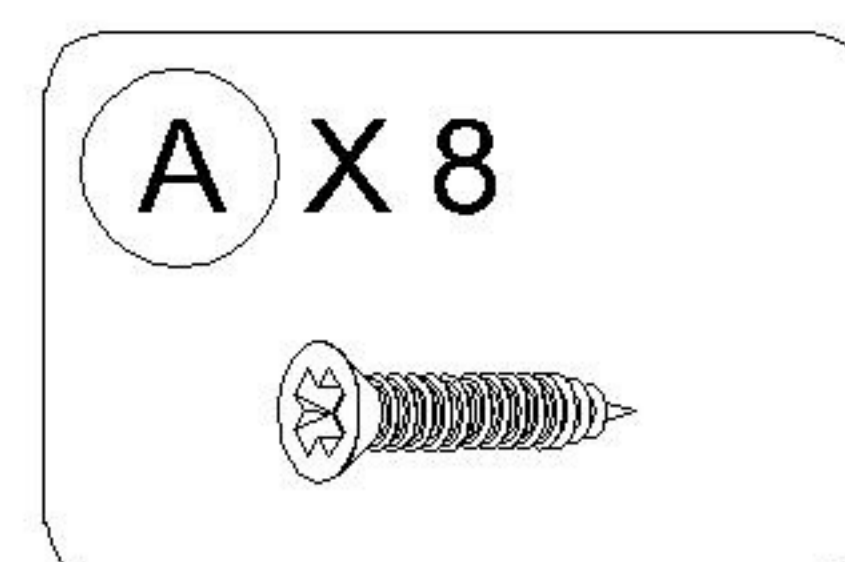
Lay Top Panel (1) flat on a material that does not scratch or damage the part and screw in Cam-bolt (E) into designated holes (outer and middle holes) as shown. Refer to Page 4 for instructions to screw in and tighten Cam-bolt.



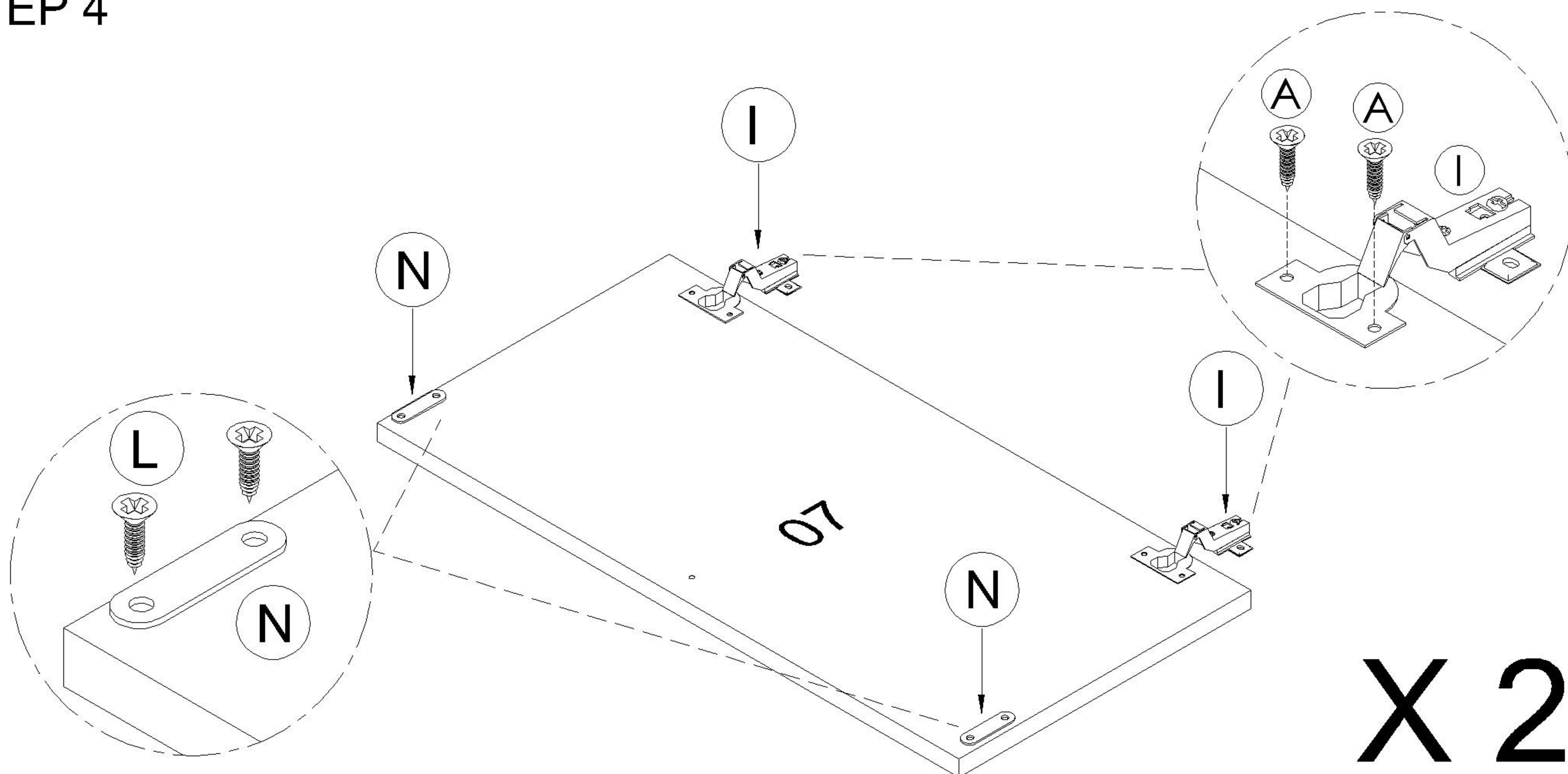
STEP 3



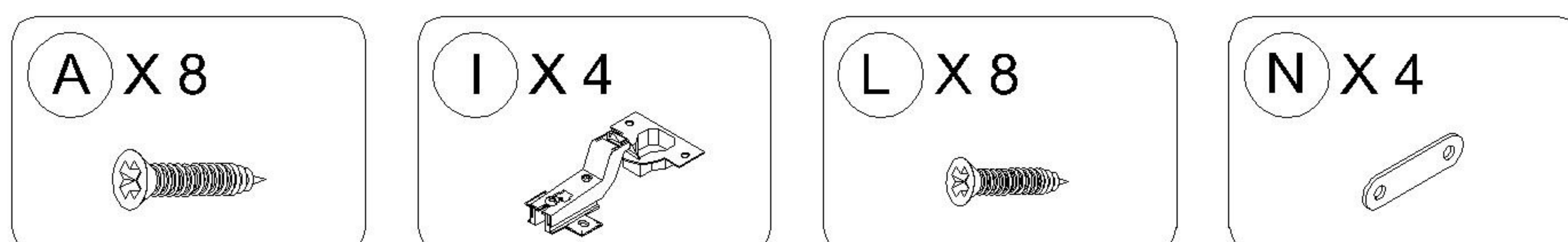
Lay Top Panel (1) & Bottom Panel (4) flat on a material that does not scratch or damage the parts. Identify the pilot holes on Top Panel (1) & Bottom Panel (4) and affix Magnet (M) using Chipboard Screw (A).



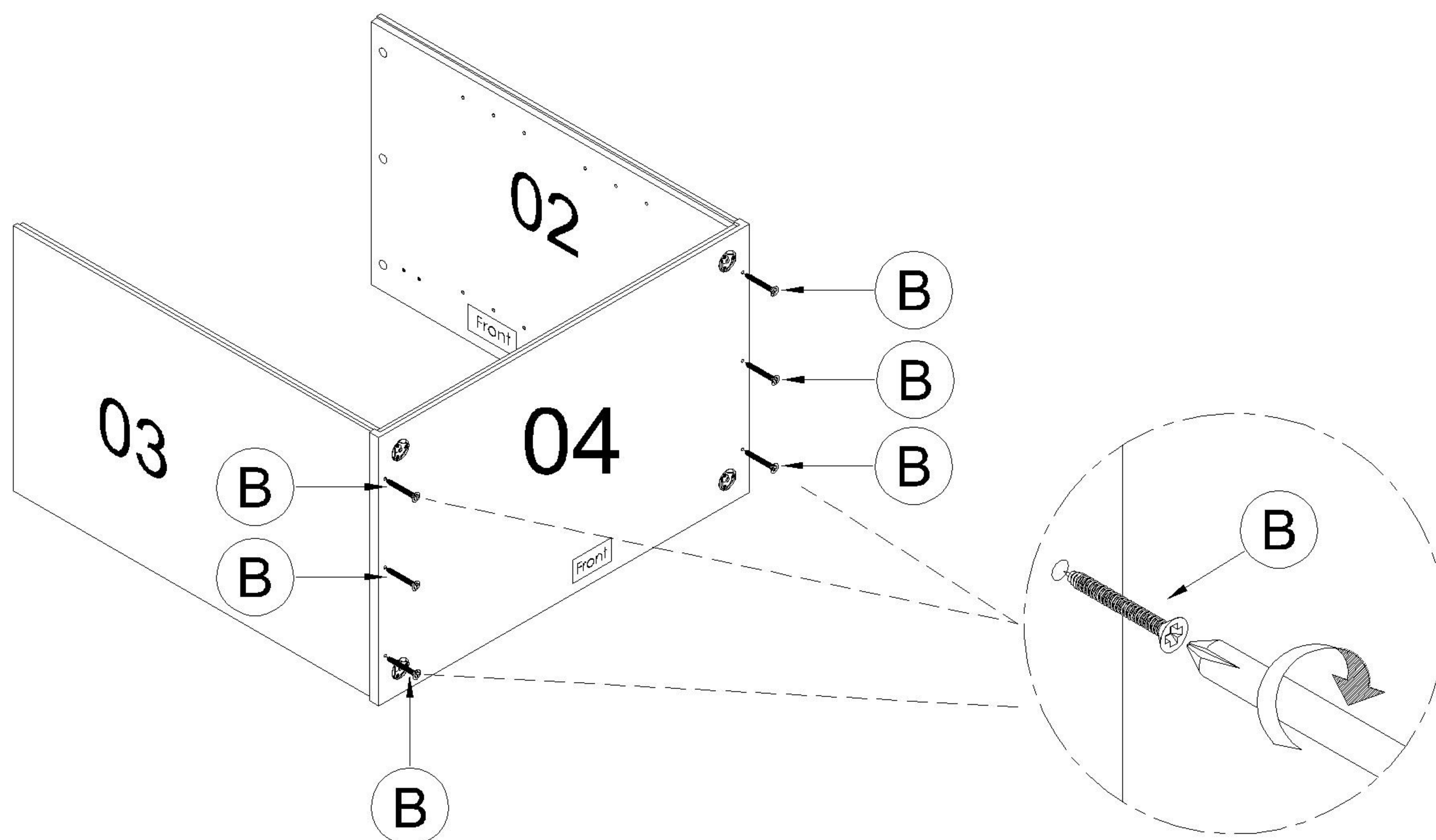
STEP 4



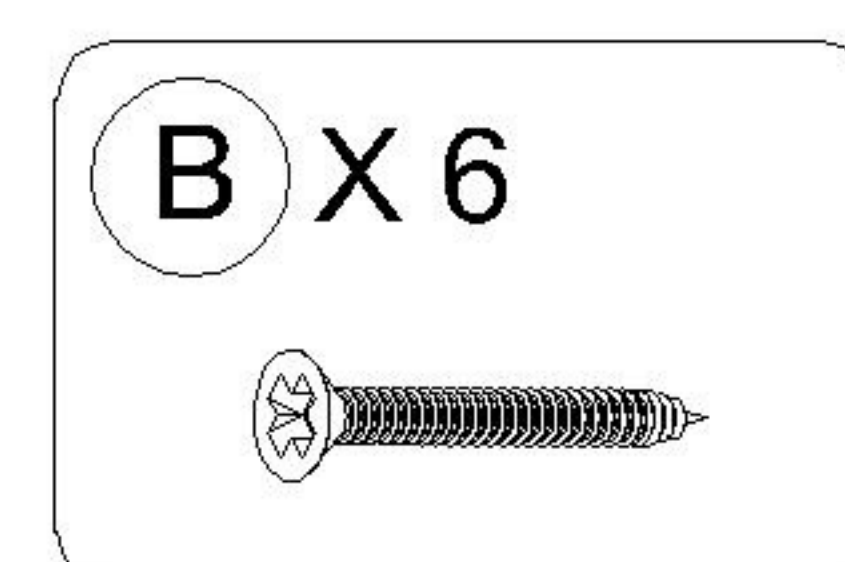
- Position Door Hinge (I) as shown and use Screw (A) to fasten door wing of hinge to Door (7). Do not over tighten the screw
- Identify the pilot holes on Door (7) and Affix Metal Plate (N) with Screw (L).



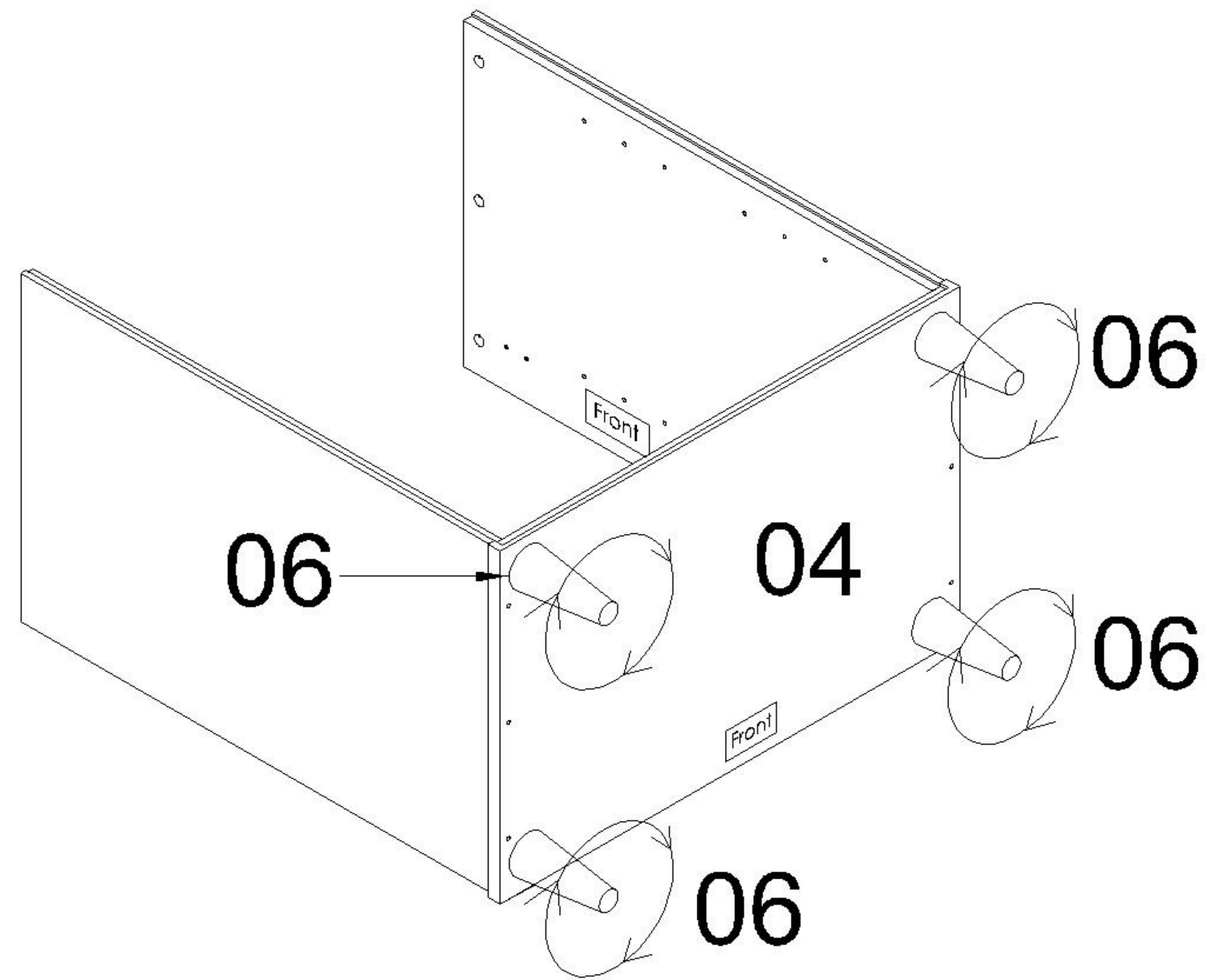
STEP 5



Position Left & Right Panel (2 & 3) and Bottom Panel (4) as shown on a material that does not scratch or damage the parts. Note that the groove edge on each part has to be aligned to fit Back Panel (8) – see STEP 8 . Use Screw (B) to fasten (4) to (2 & 3). Do not tighten (B) completely until all of the screws are in place.

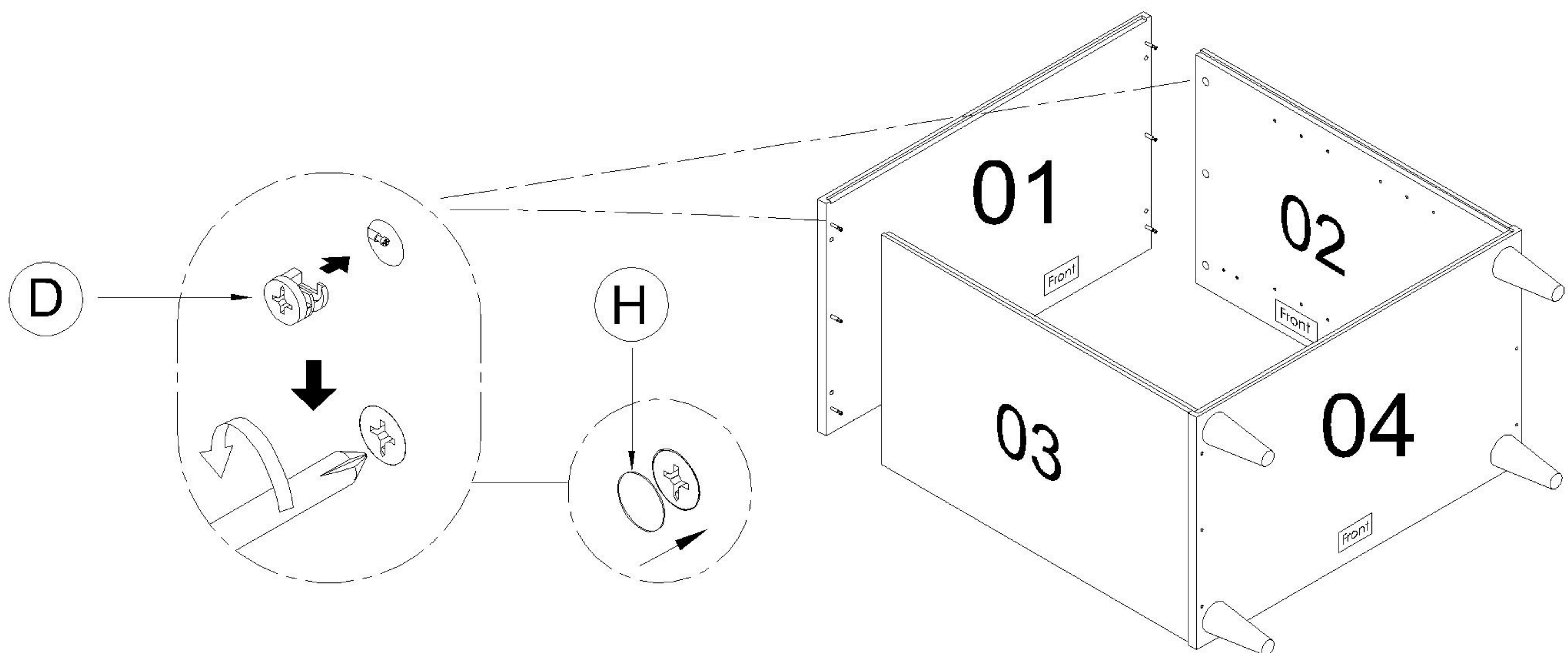


STEP 6



Screw in Leg (6) into the designated hole at the corner of Bottom Panel (4).

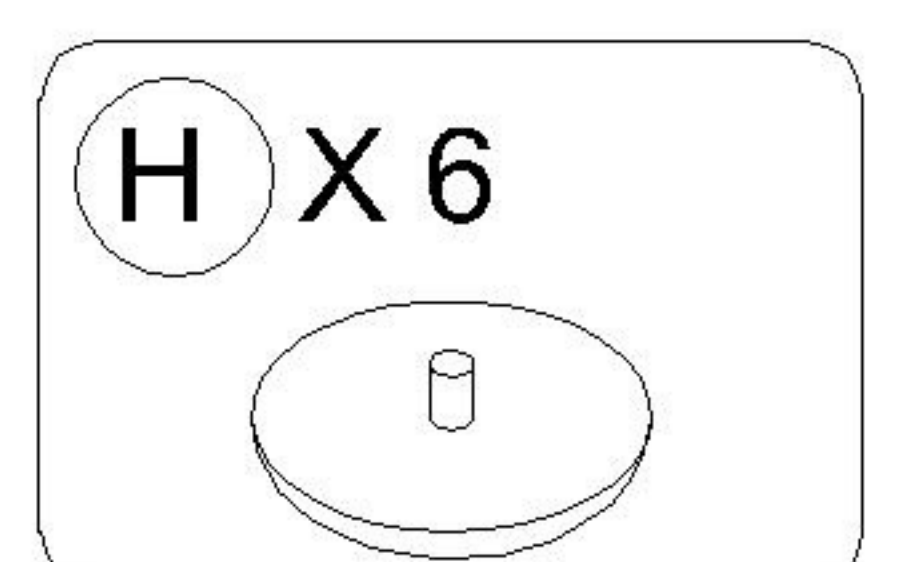
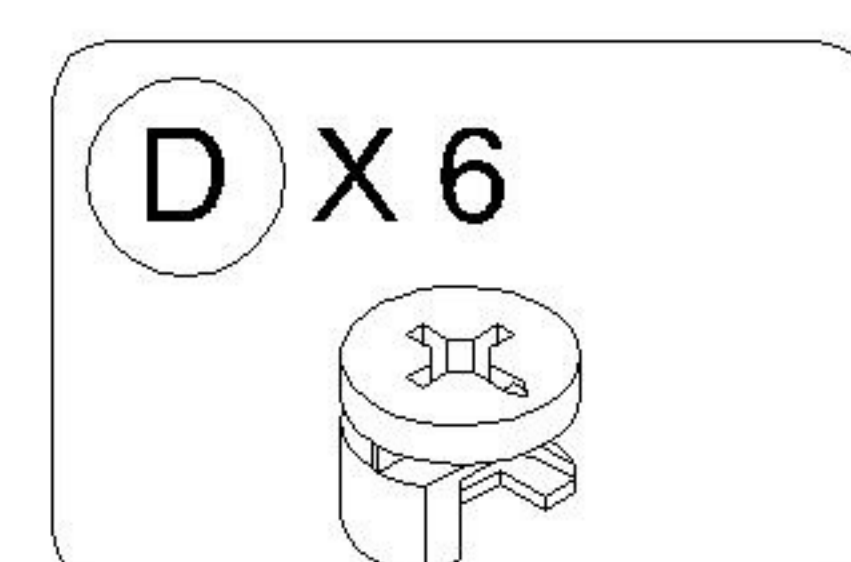
STEP 7



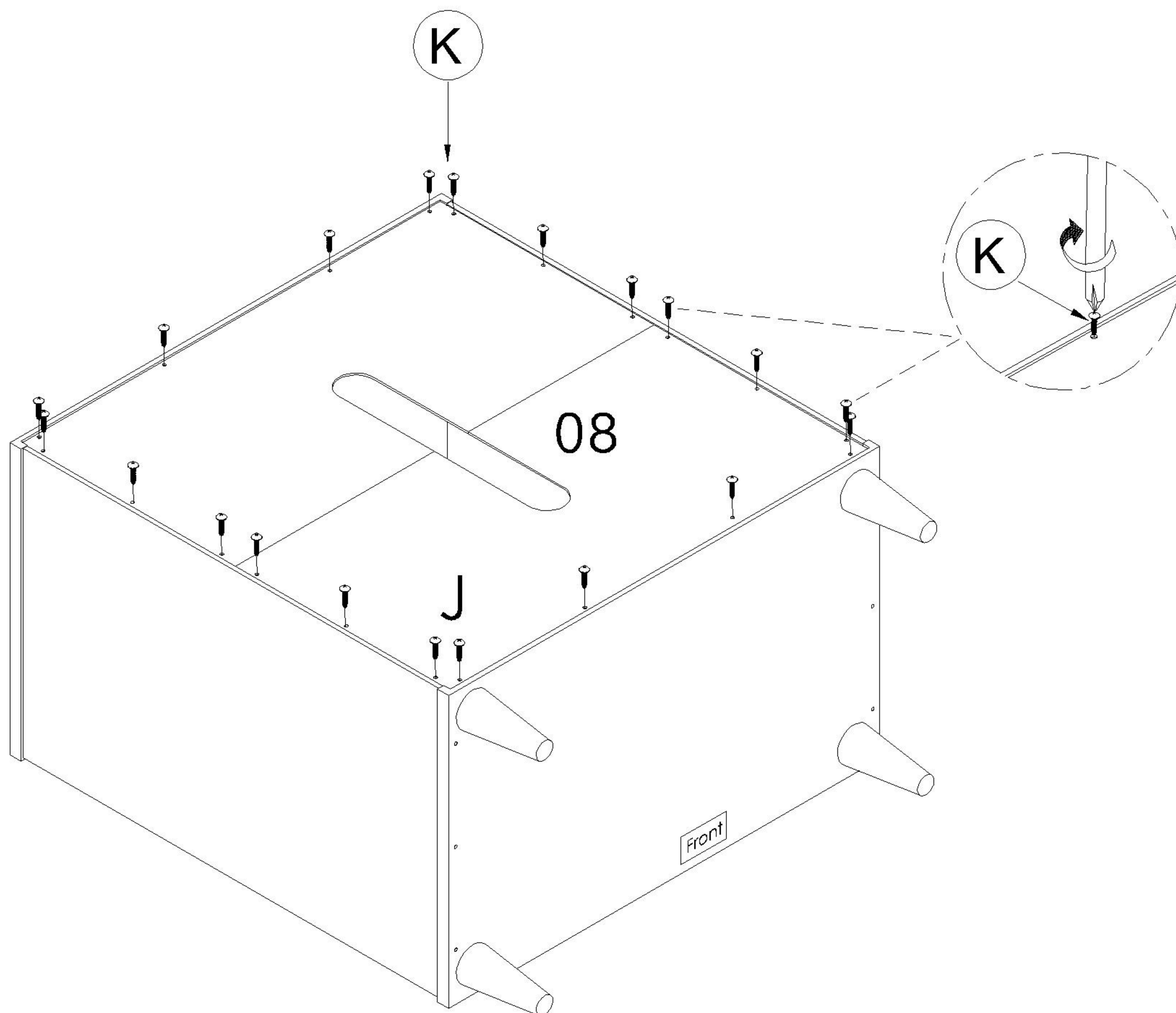
a) Attach Top Panel (1) from STEP 3 to Left & Right Panel (2&3). Note that the groove edge of (1) has to be aligned to the groove edge of (2, 3 & 4).

b) Insert Cam-lock (D) into designated holes on (2 & 3) then turn clockwise to lock on to Cam-bolt. (Refer to page 4 for instruction to insert and tighten Cam-lock.

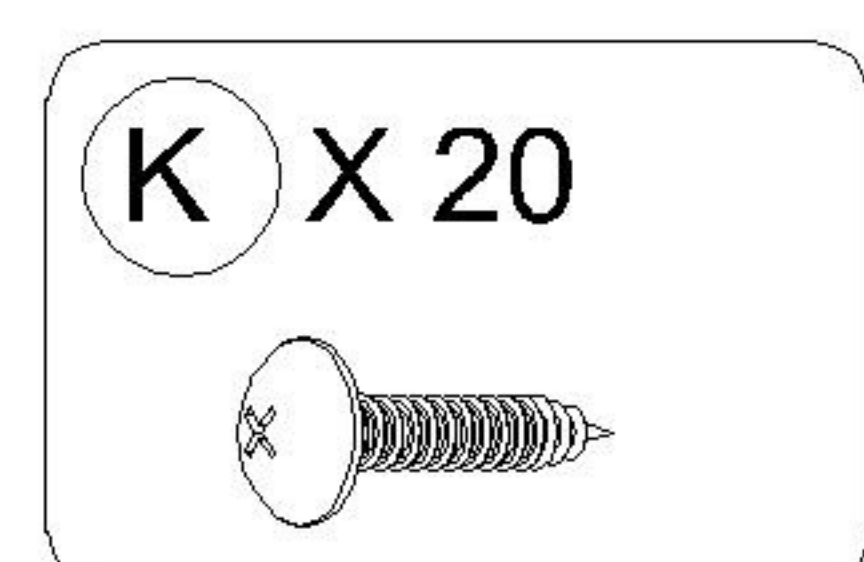
c) Use Cam-lock Cover (H) to conceal Cam-lock hole.



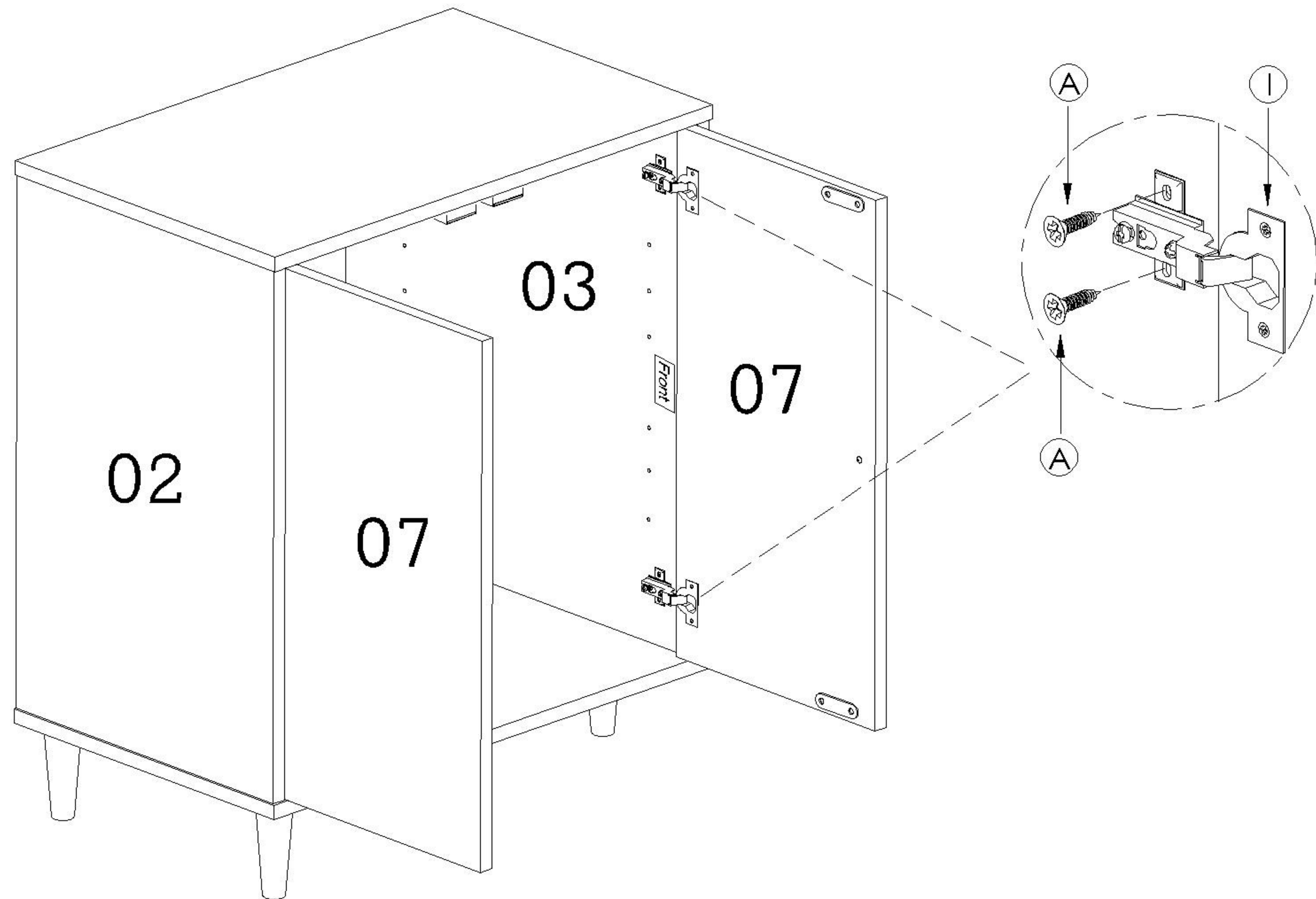
STEP 8



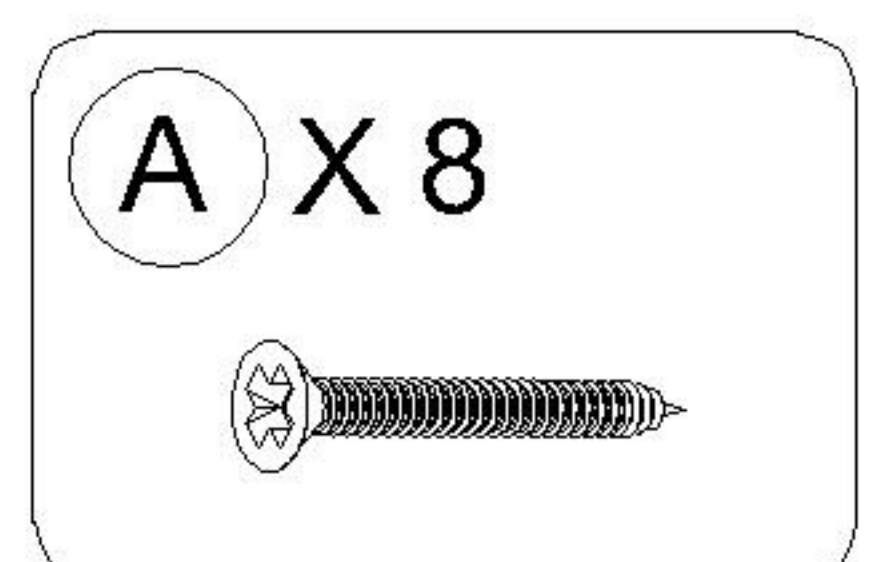
- a) Fit Back Panel (8) onto the groove edge of the Left & Right Panel. Top Panel and Bottom Panel and fasten with Screw (K)



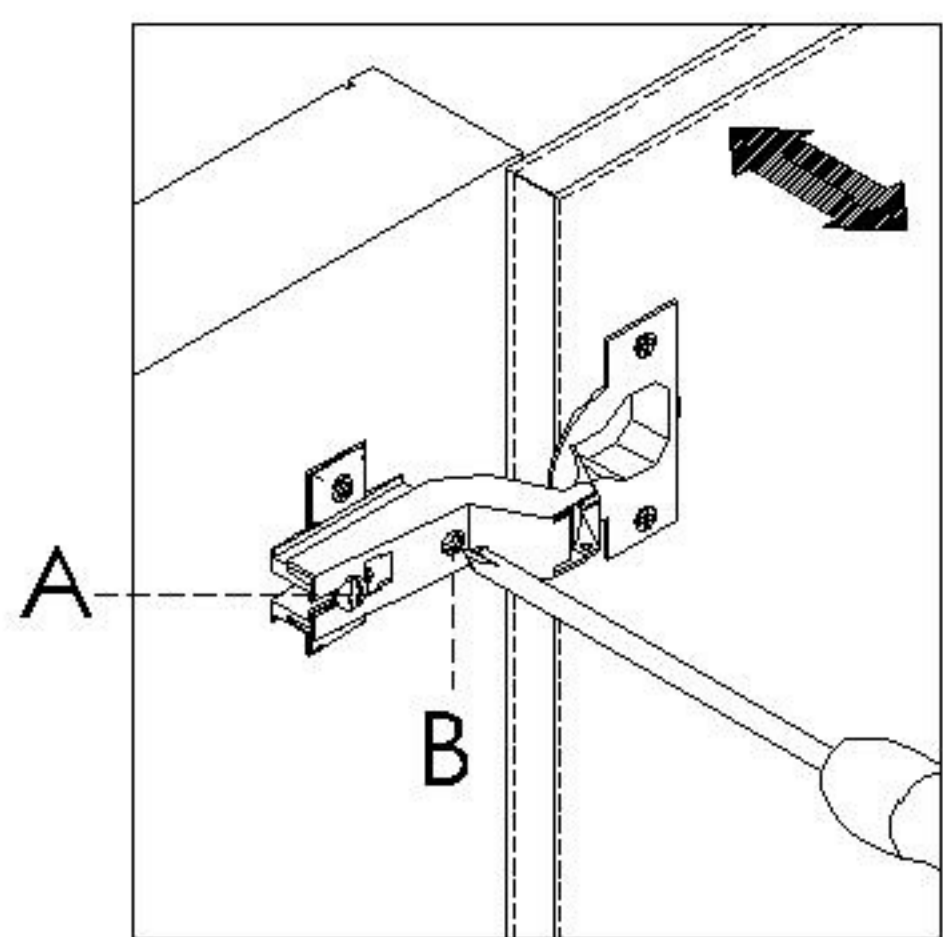
STEP 9



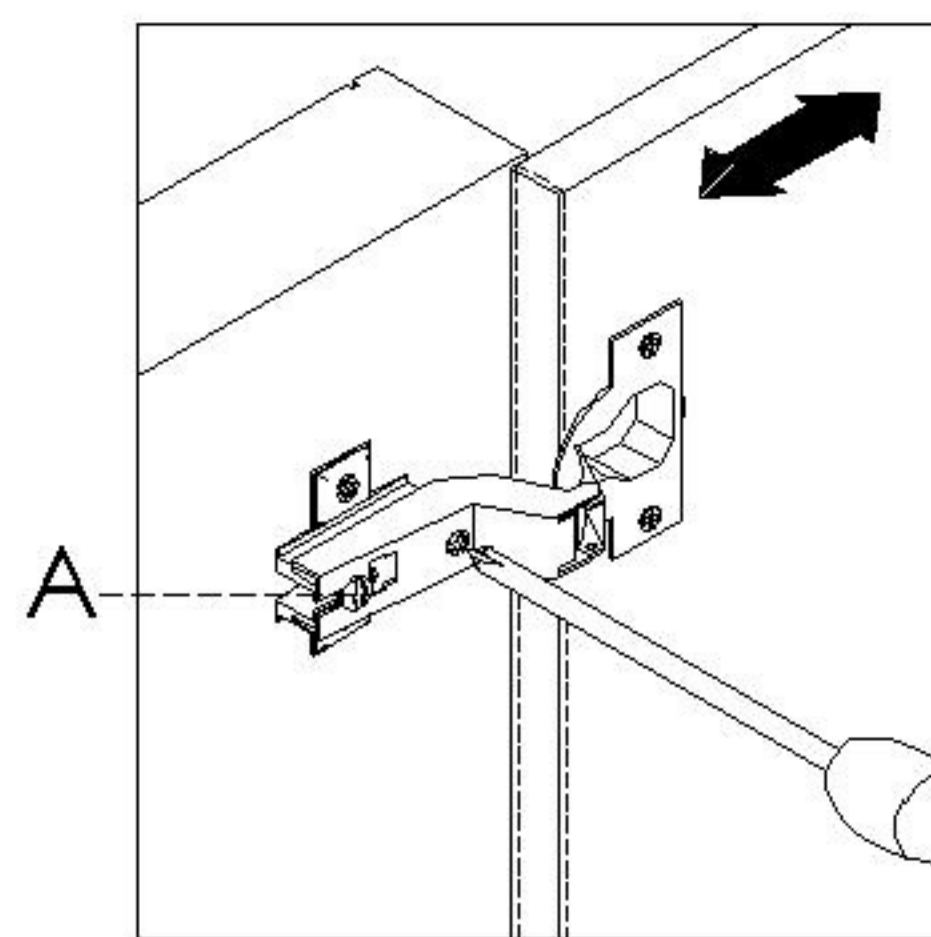
- Set the assembly from STEP 8 right-side up.
- Position Door (7) from STEP 4 as show and place frame wing of Hinge (I) against the Left & Right Panel and align the screw holes on Frame wing to pilot holes on the Left & Right Panel.
- Use a Philips Screwdriver to driver Screw (A) to fasten frame wing of hinges to the Left & Right Panel. Do not tighten the screw completely until both screws are in place.



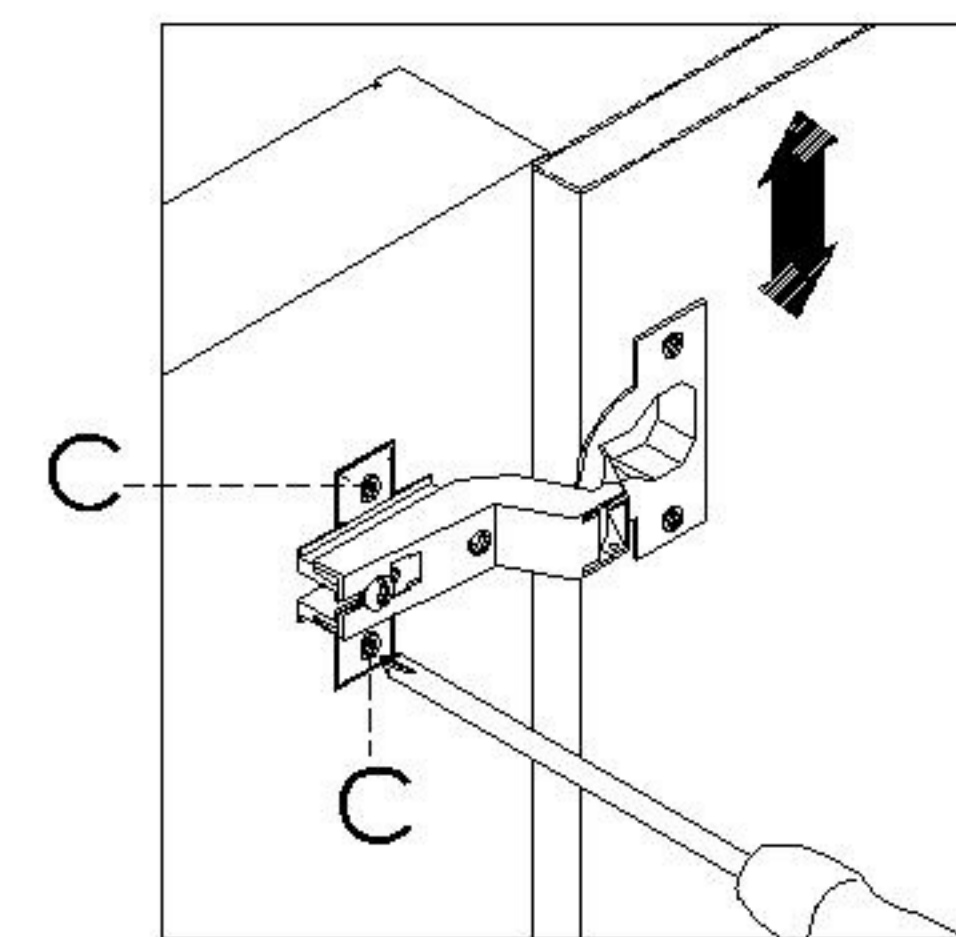
HINGE ADJUSTMENT TO ALIGN DOOR



- 1) Side to side adjustment :
Loosen Screw A, adjust gap with screw B and re-tighten Screw A

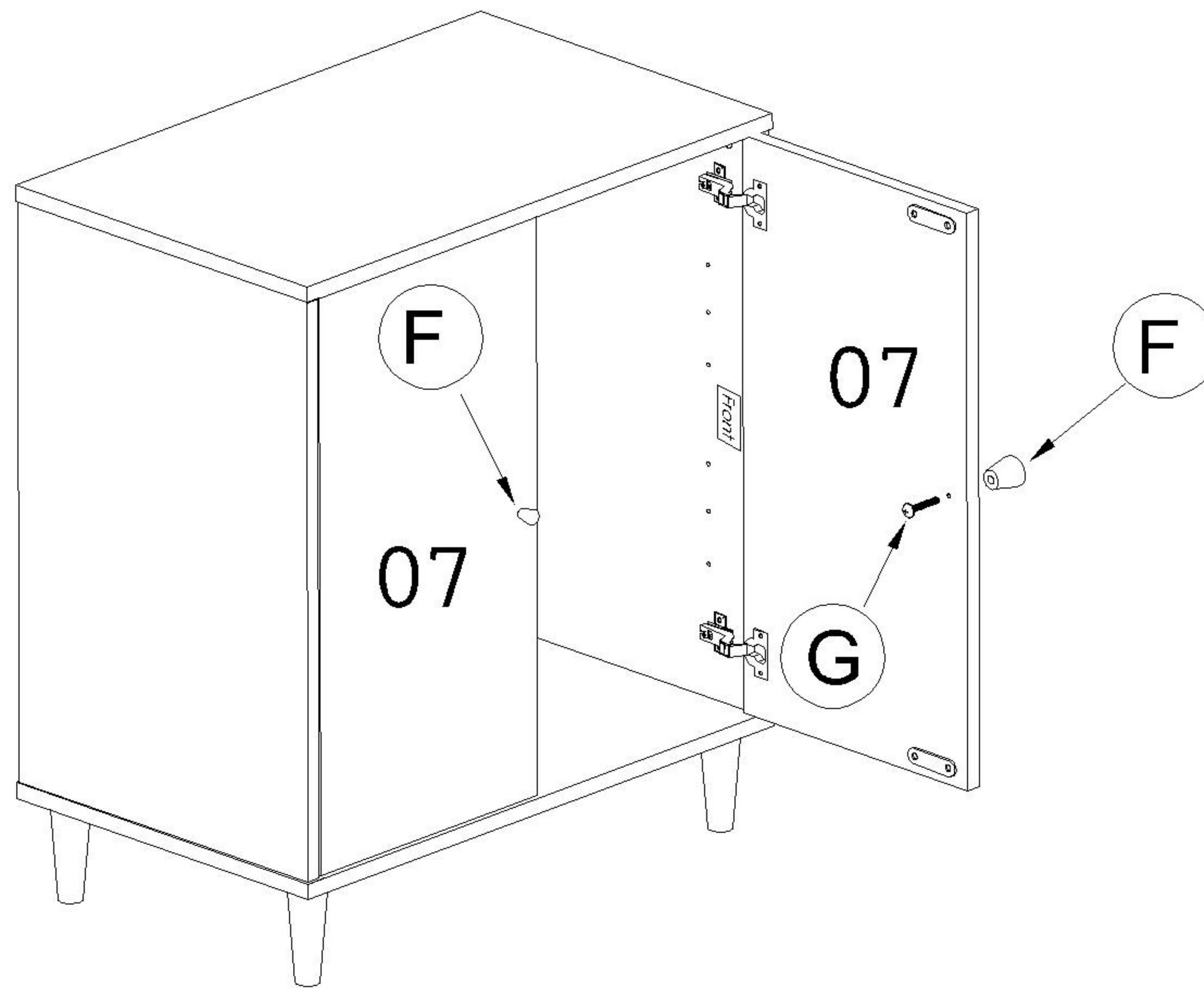


- 2) Deep adjustment:
Loosen Screw A, push hinge arm forwards or backwards, re-tighten screw A.

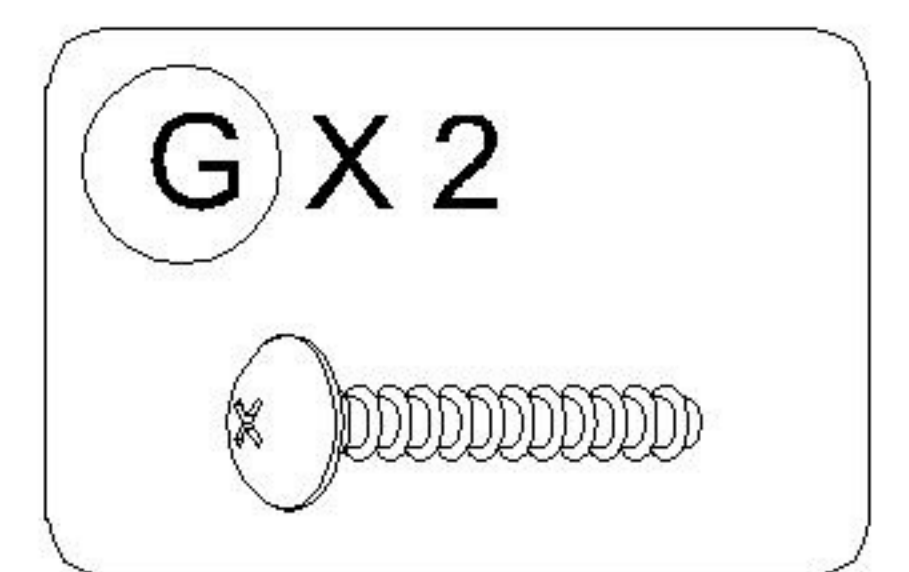
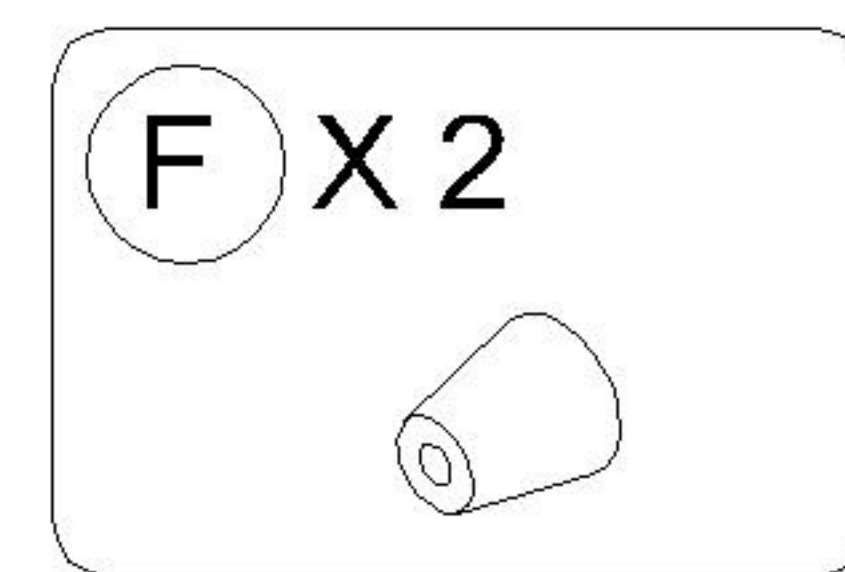


- 3) Height adjustment:
Loosen Screw C, adjust door height and re-tighten screw C.

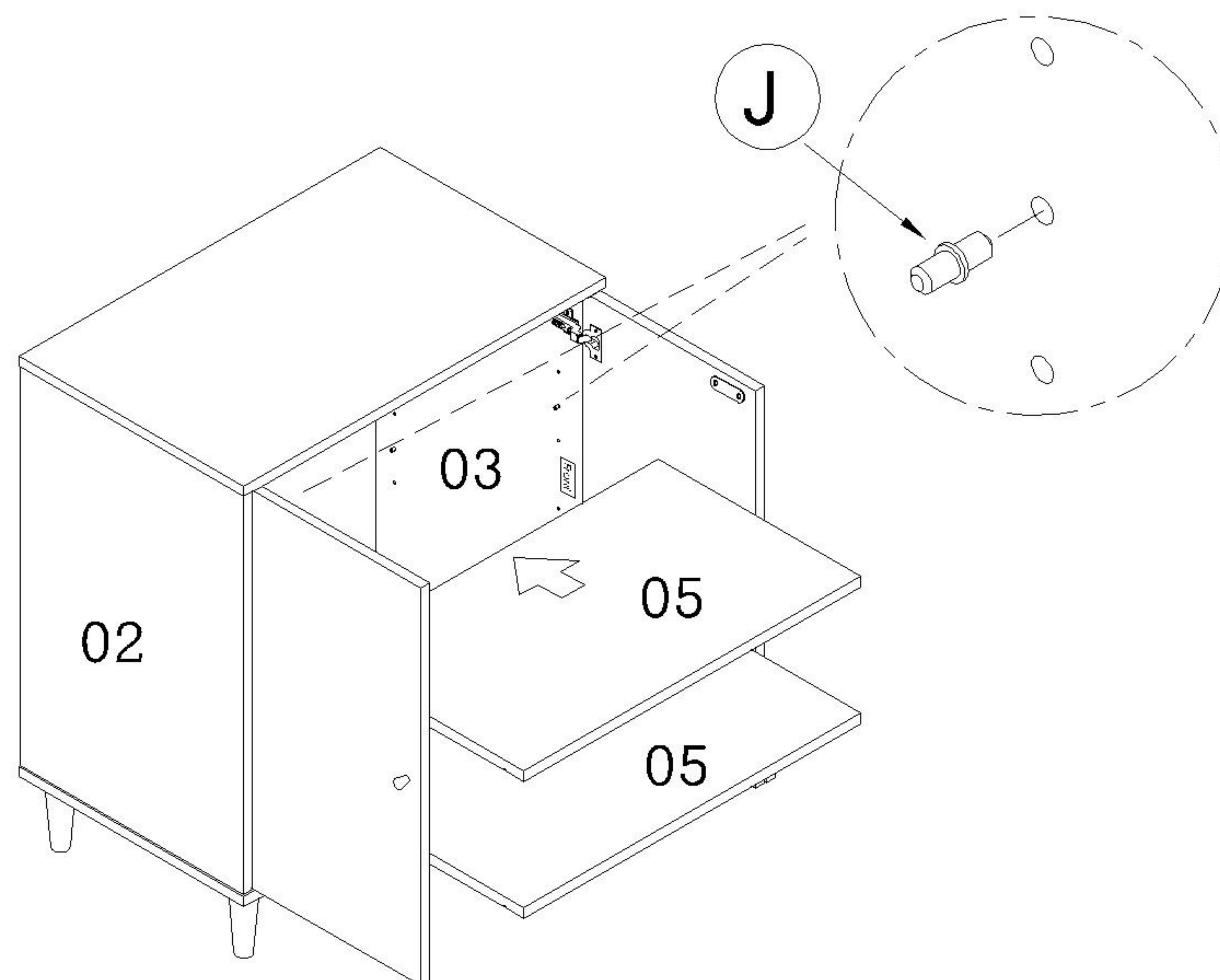
STEP 10



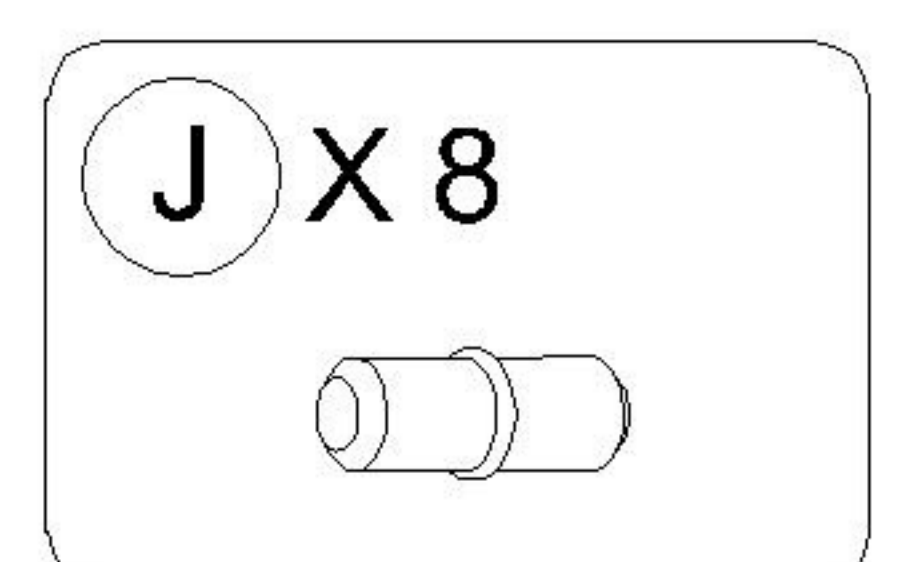
a) Affix Handle (F) to Door (7) with Screw (G). Use a Philips Screwdriver to drive (G).



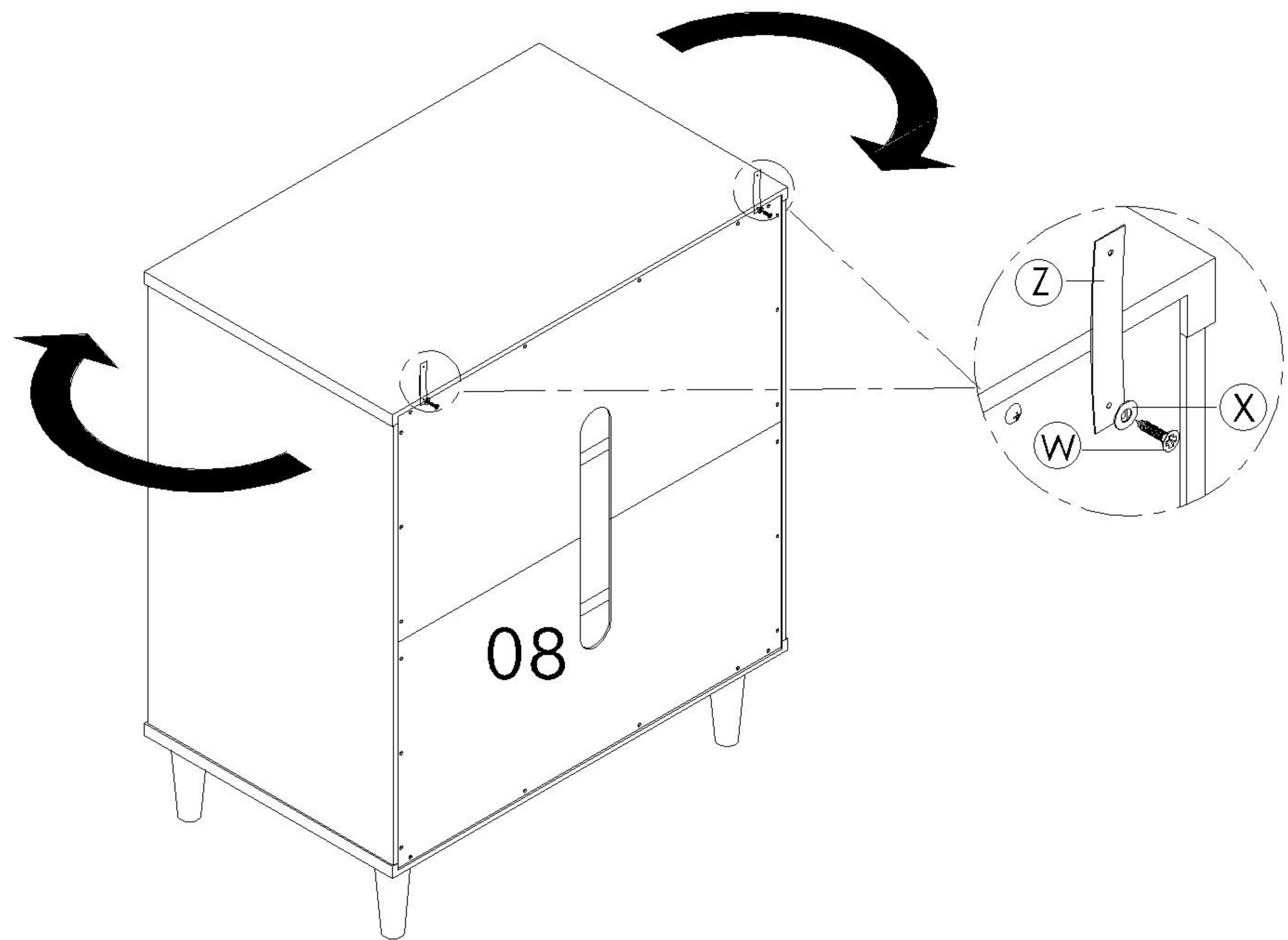
STEP 11



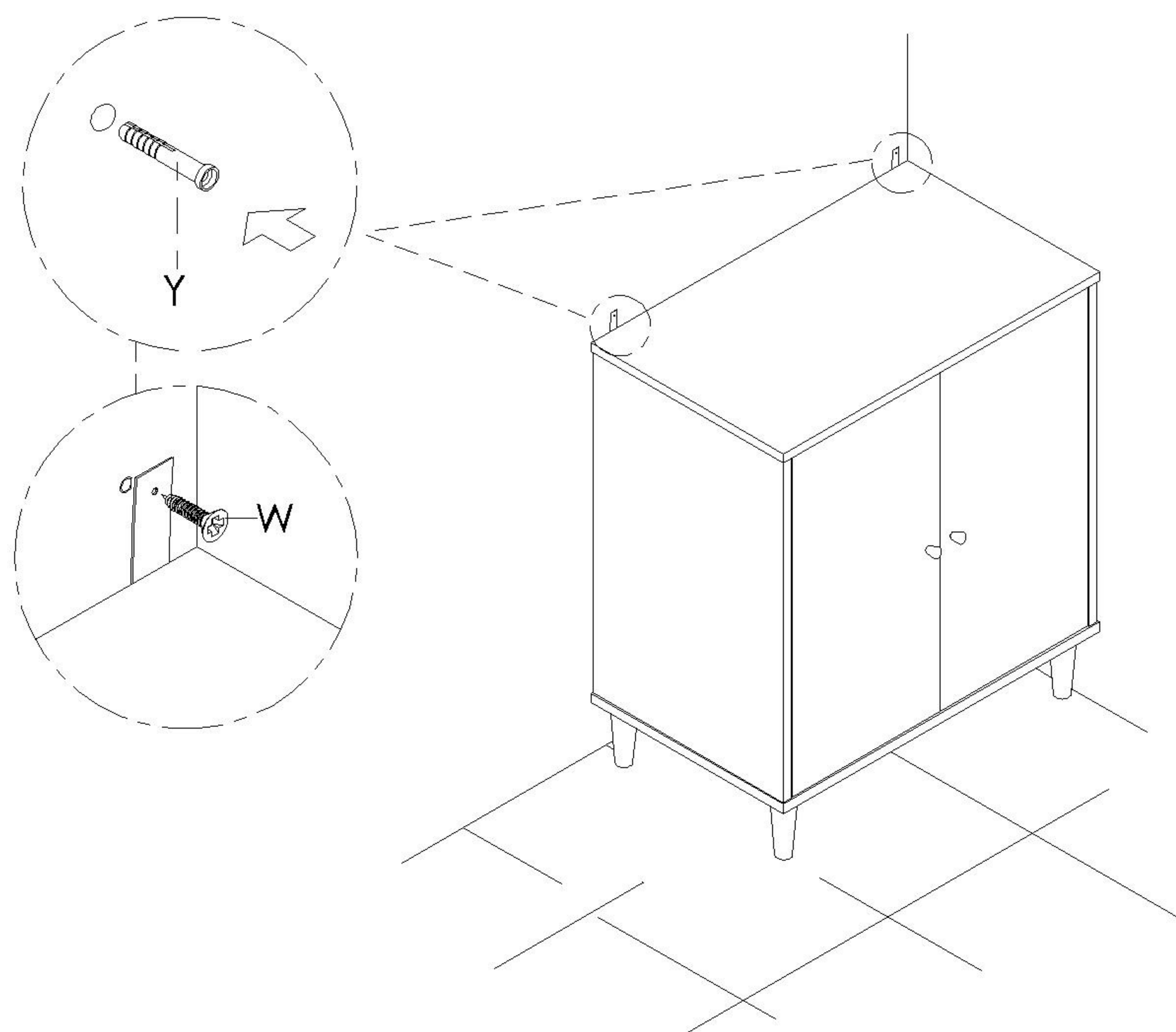
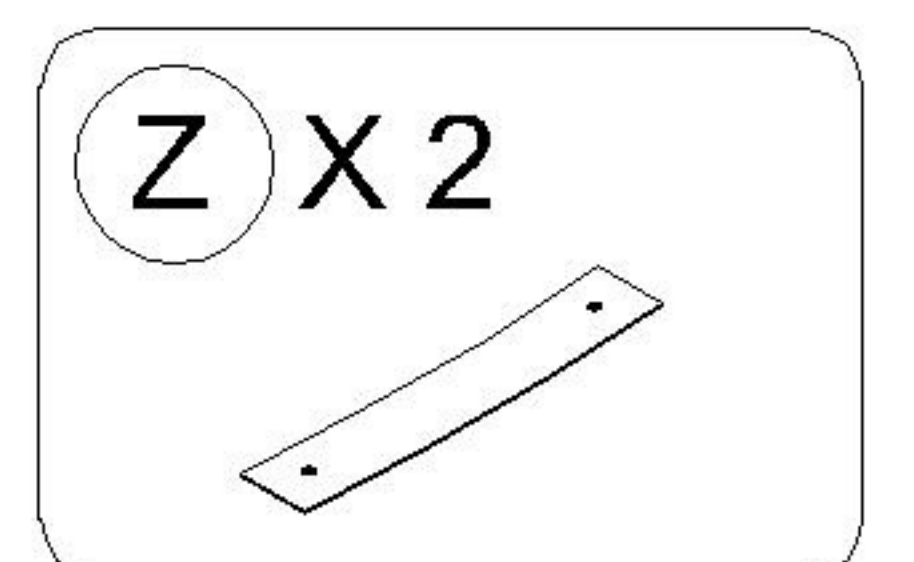
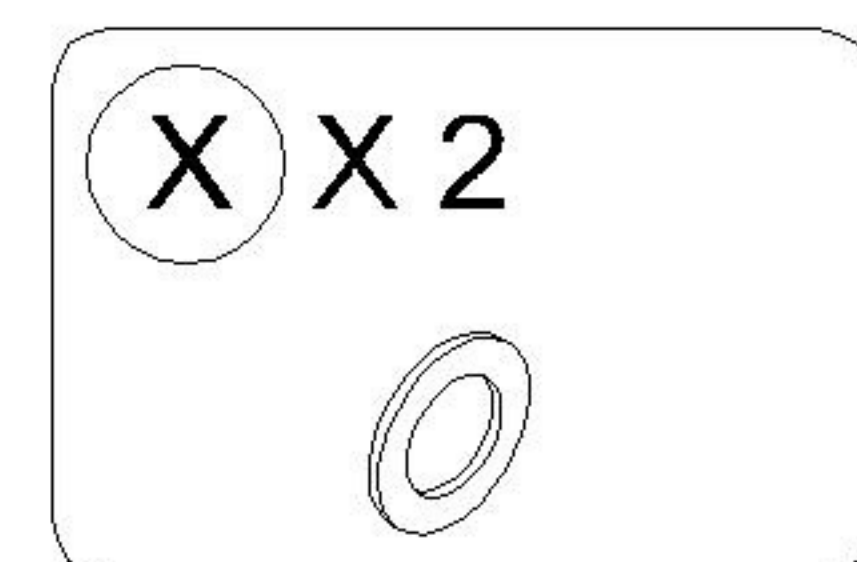
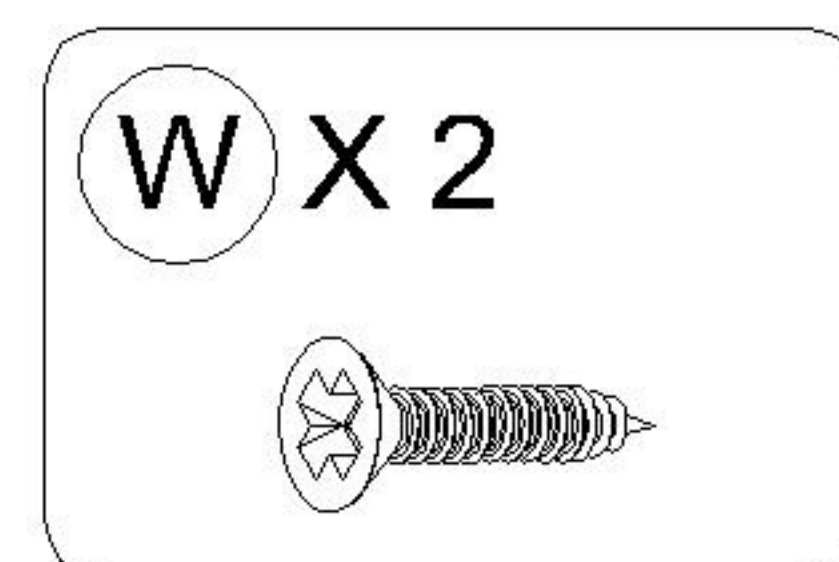
Insert Shelf Pin (J) into the designated holes on the same level at the desired height on Left and Right Panel. Place Shelf (5) by tilting it to fit between Side Panels and then level it to sit on Shelf Pin (J).



STEP 12



a) Use Screw (W) fitted with Flat Washer (X) to fasten one end of Safety Strap (Z) to the Back Panel.



- Select the location to place the unit. Mark the 2 spots to tether the Safety Strap to the wall.
- On each marked spot, drill a hole in the dry wall to fit Anchor (Y) snugly and insert (Y). Ensure that the anchor fits securely in the wall.
- Affix the Strap to the anchor by using Screw (W).

The assembly of the buffet unit is complete.

