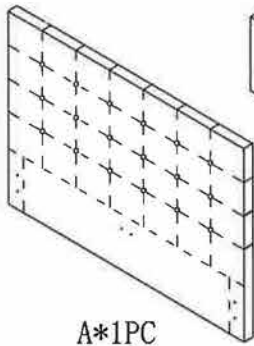
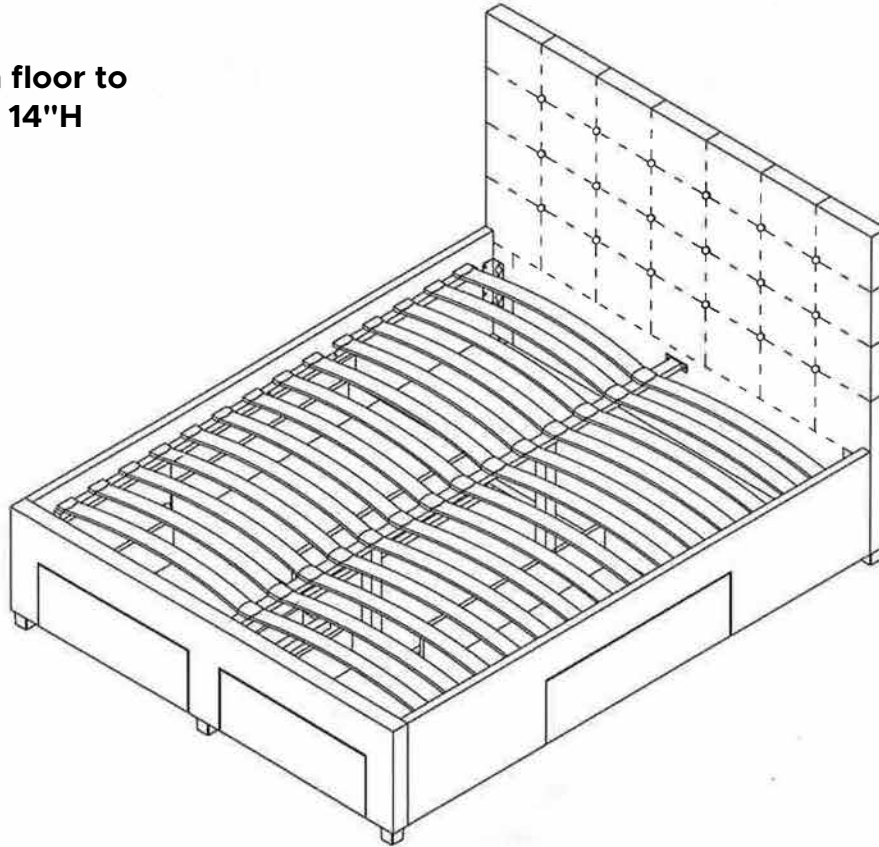
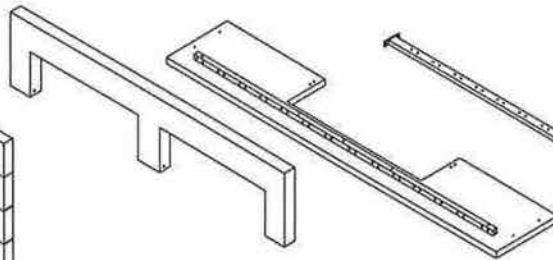


# ASSEMBLY INSTRUCTIONS

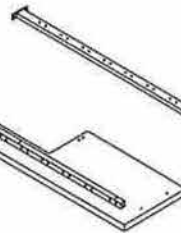
Height from floor to top of slats: 14"H



A\*1PC



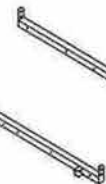
B\*1PC



C\*2PCS



D\*1PC



E1\*1PC



E2\*1PC



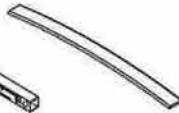
F\*2PCS



G1\*2PCS



G2\*2PCS



H\*28PCS



I\*5PCS



J1\*2PCS



J2\*4PCS



K\*14PCS



L\*28PCS



M\*4PCS



M8\*30MM



1/4\"/>



1/4\"/>



Q\*8PCS



M8

R\*1PC

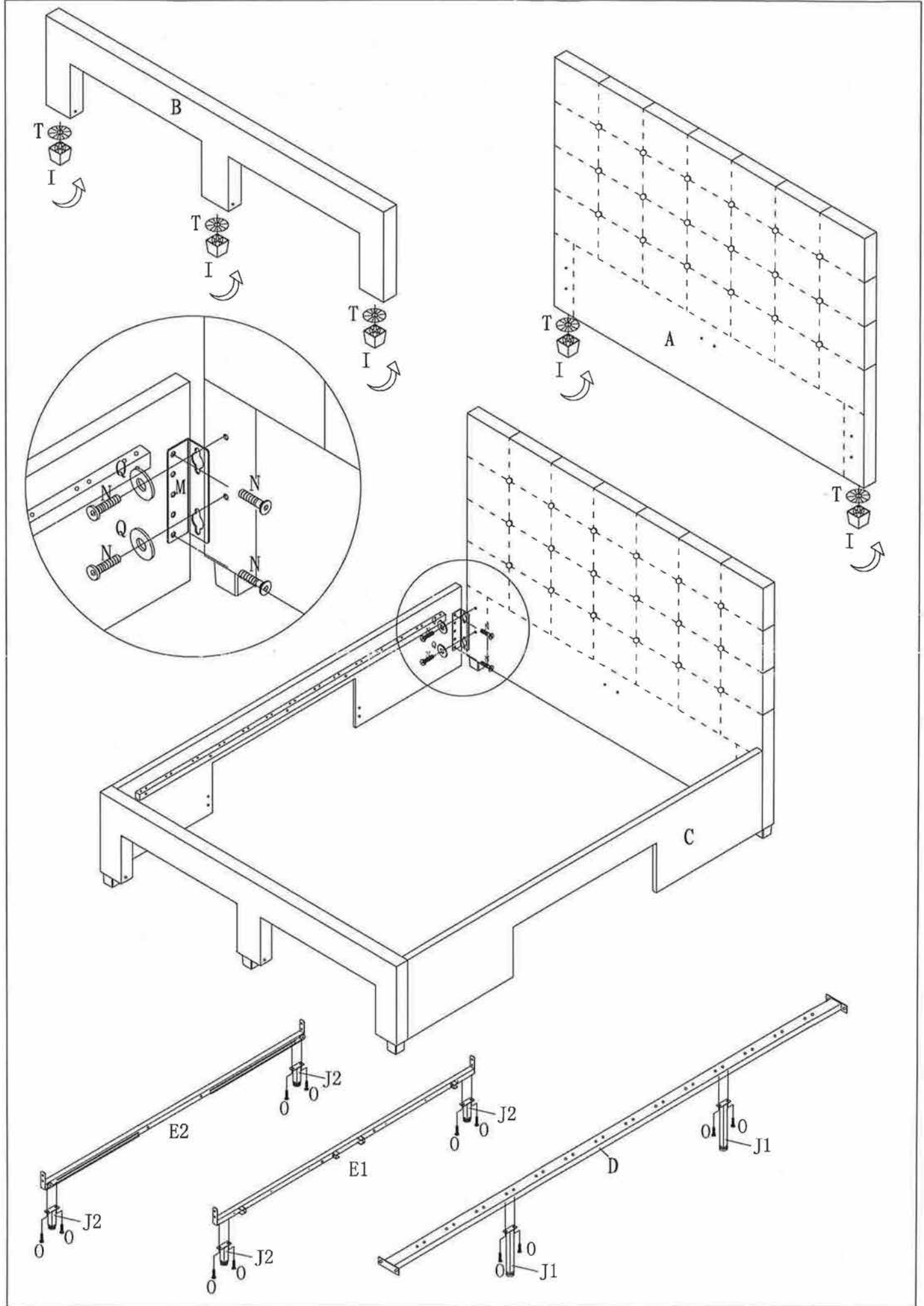


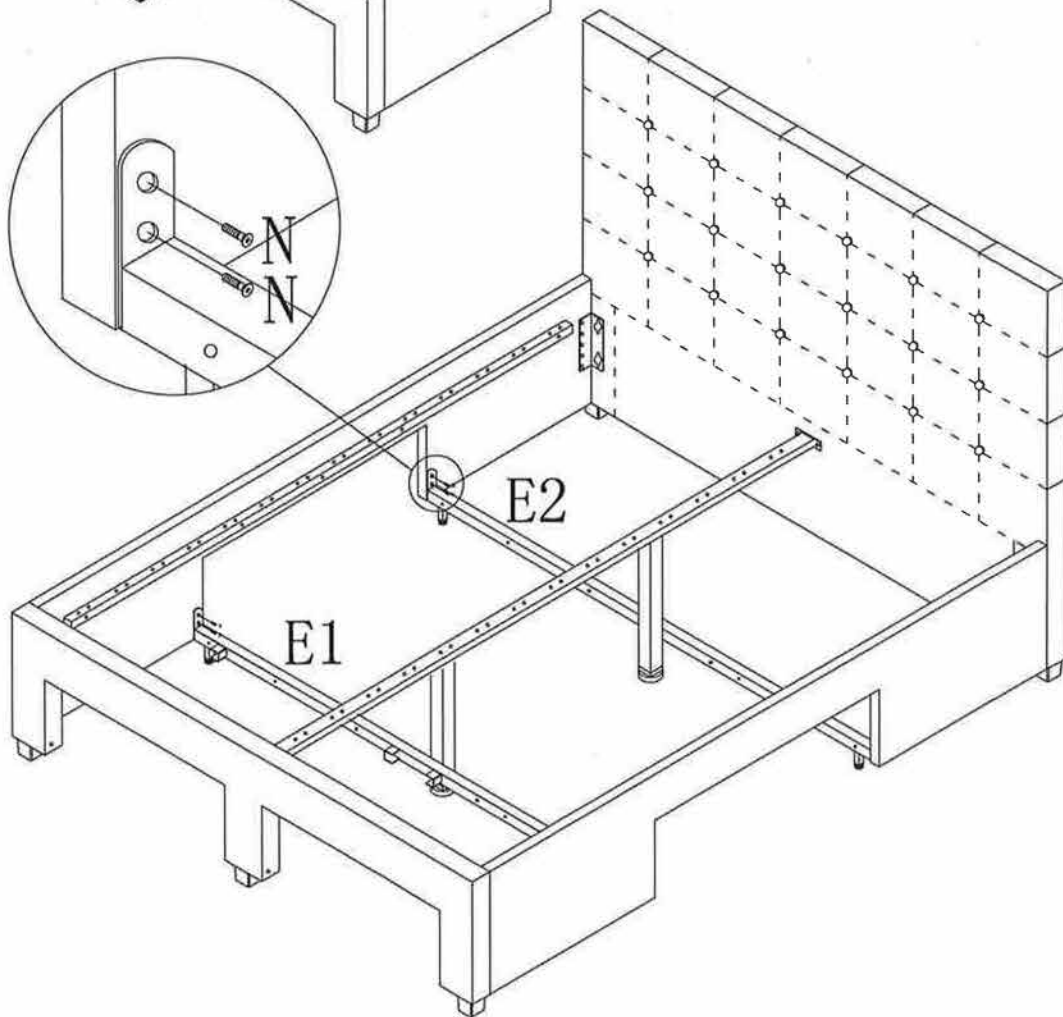
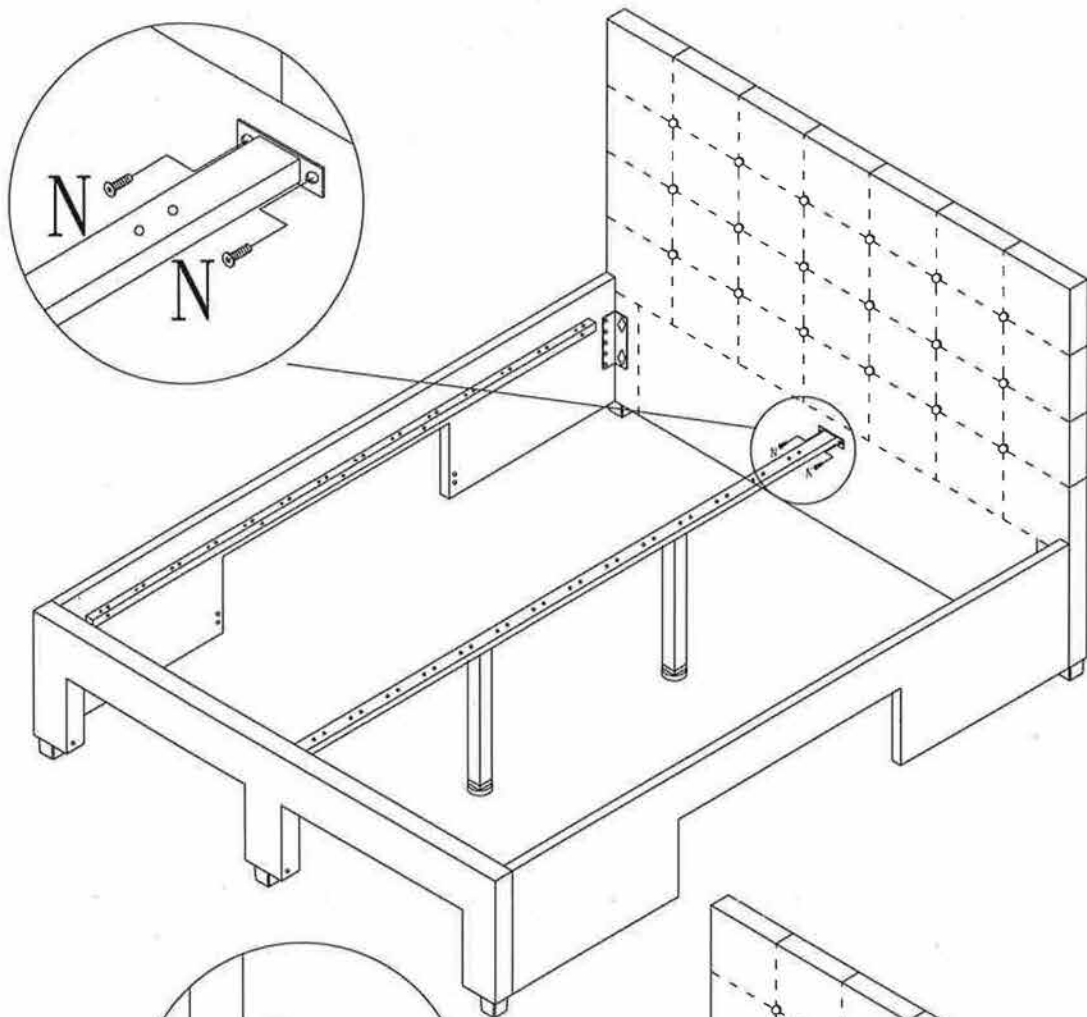
1/4"

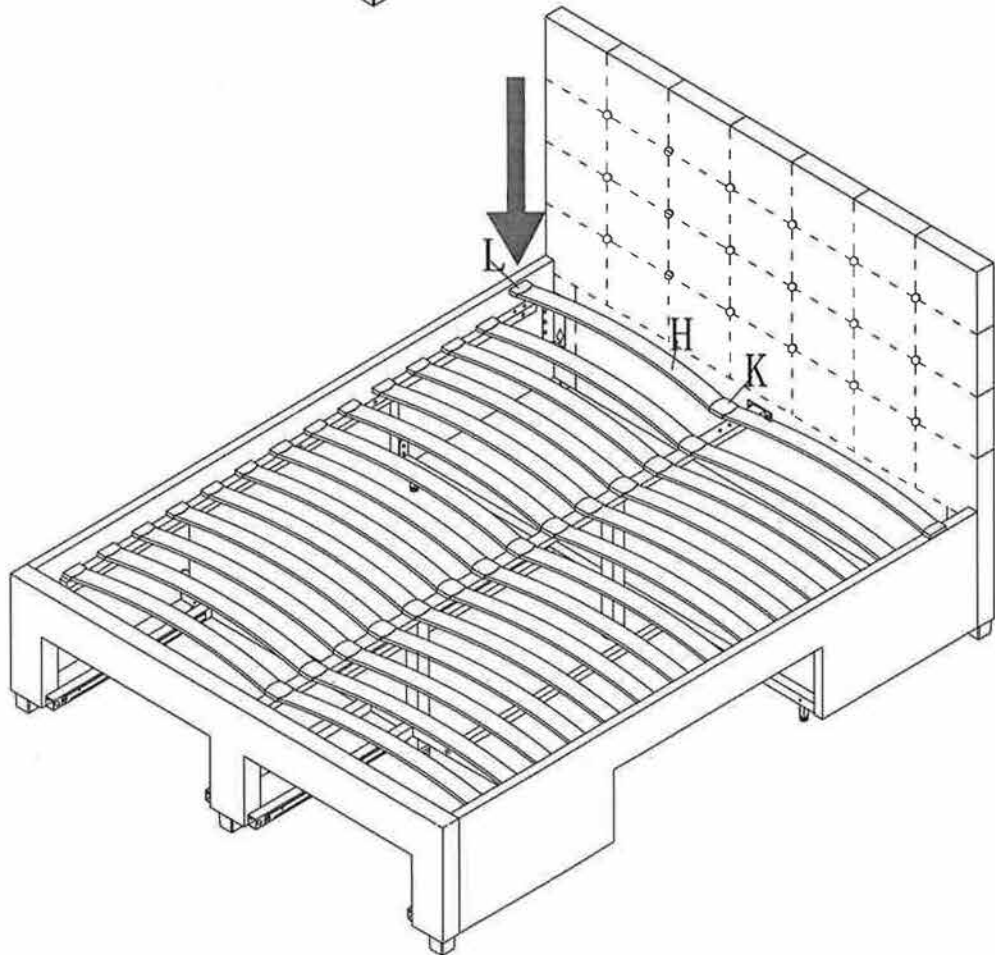
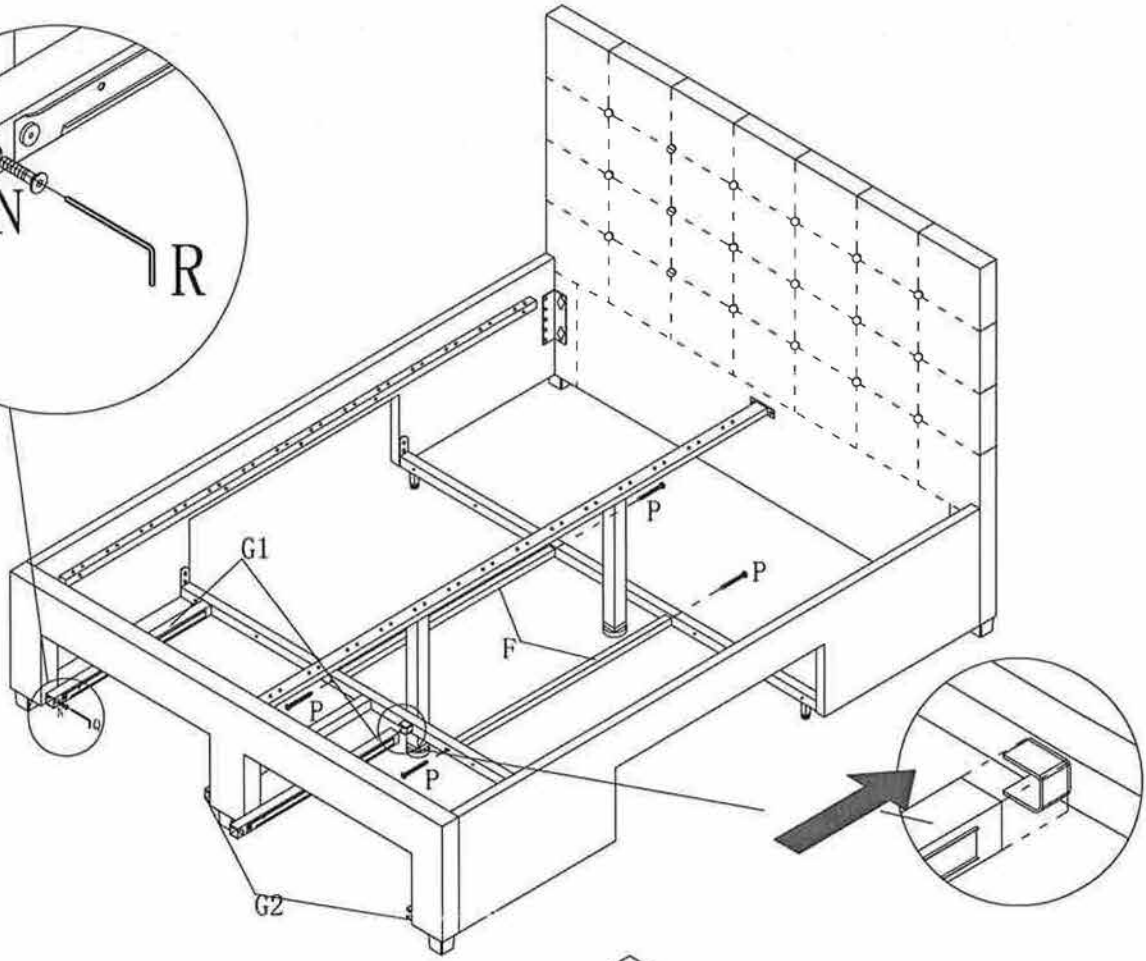
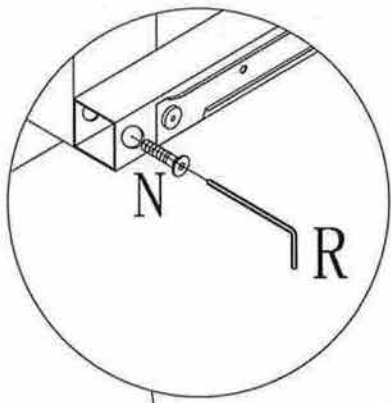
S\*1PC




T\*5PCS







V  16pcs

Bolt M6x30

T  1pcs

Allen key M6

W  8pcs

screw 5 x 25mm

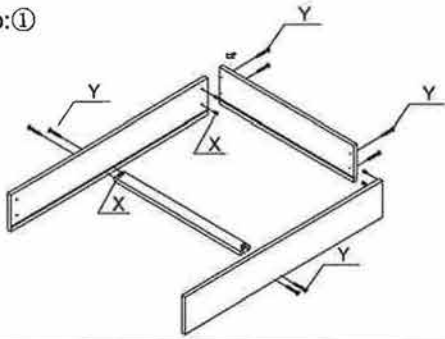
X  48pcs

Plastic plug

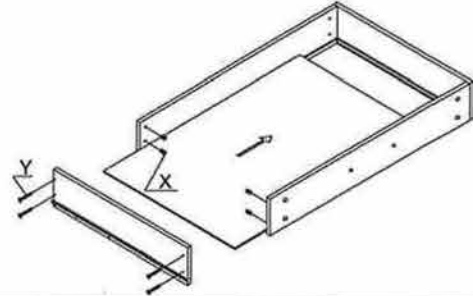
Y  48pcs

screw 5 x 50mm

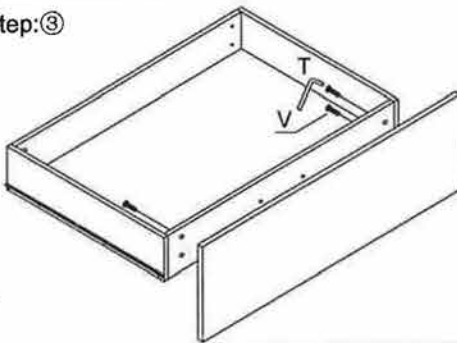
Step:①



Step:②



Step:③



Step:④

