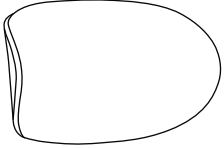

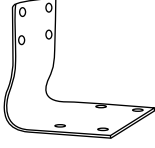
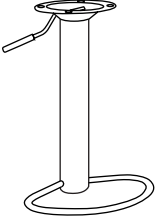

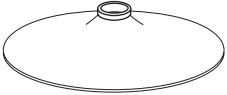
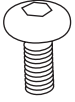
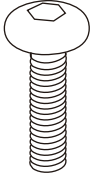

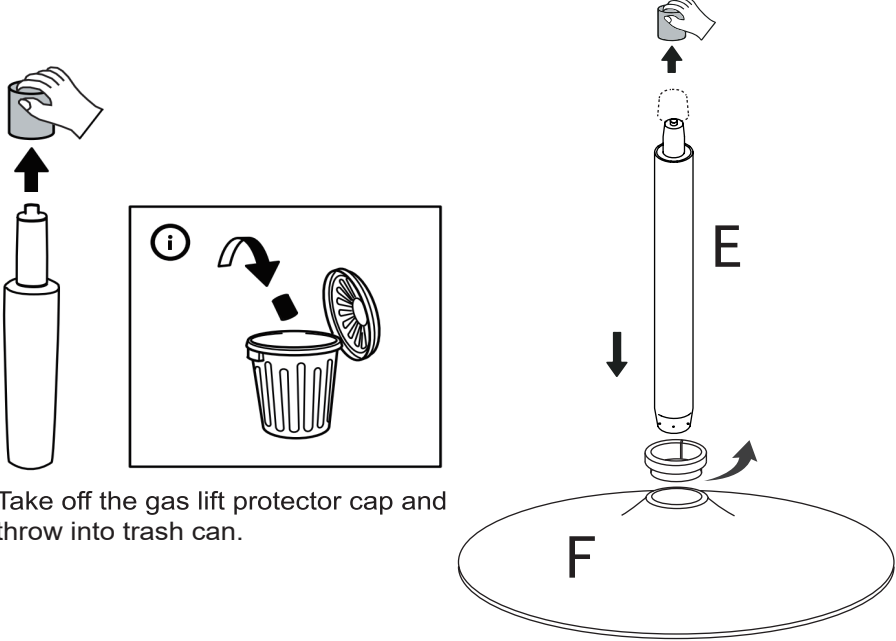


# ASSEMBLY INSTRUCTIONS

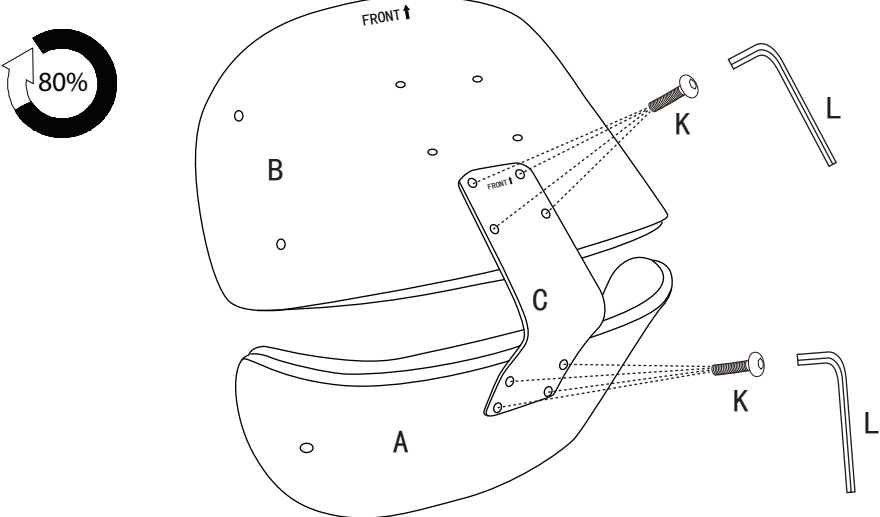
<b>A</b> X1 	<b>B</b> X1 	<b>C</b> X1 	<b>D</b> X1 	<b>E</b> X1 
<b>F</b> X1 	<b>J</b> X4  M6*18mm	<b>K</b> X8  M6*25mm	<b>L</b> X1  M6	

**1**



Take off the gas lift protector cap and throw into trash can.

**2** **Attention: All the screws in, and then tighten them**

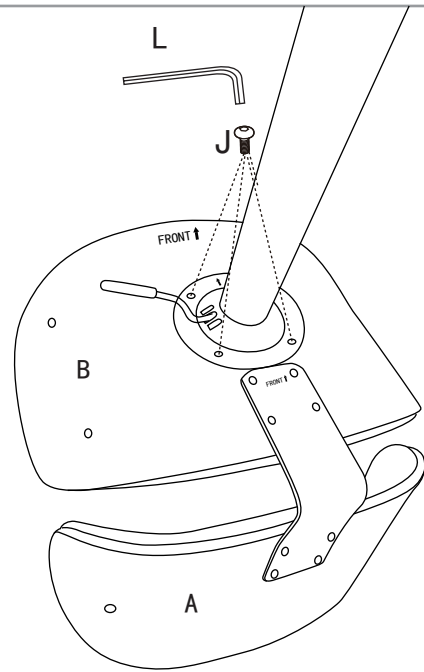
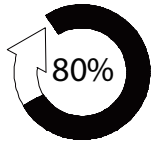


FRONT ↑

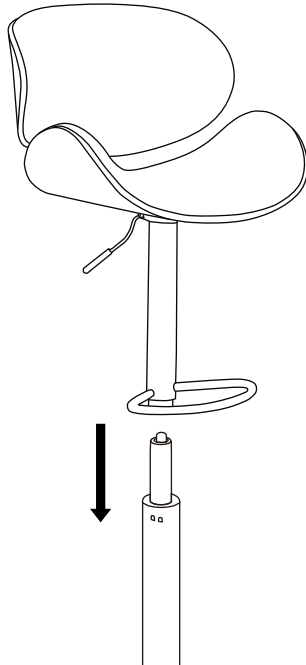
80%

3

Attention: All the screws in, and then tighten them



4



5

