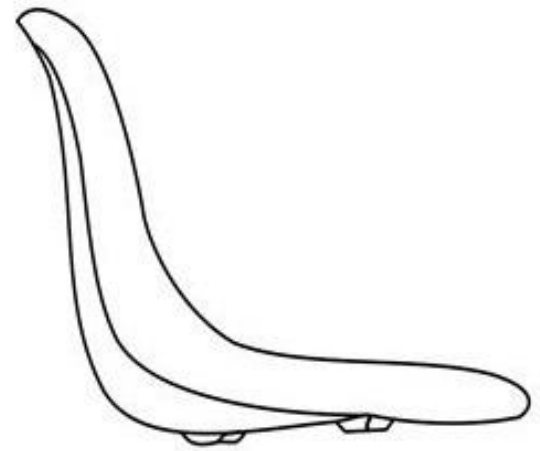
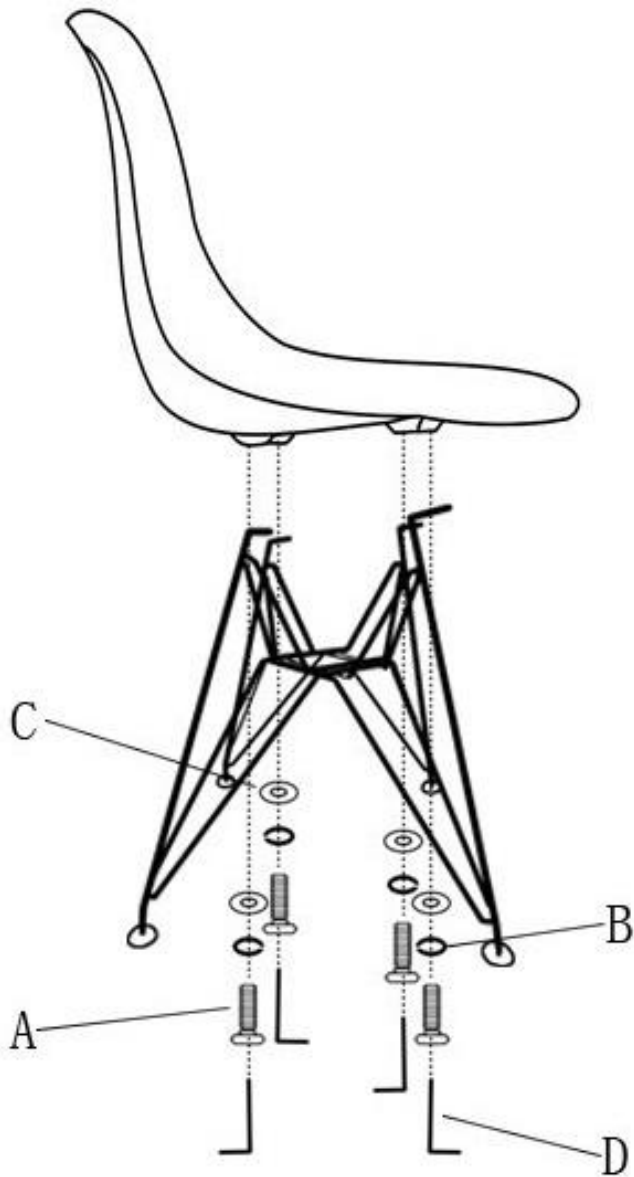





# Assembly Instructions



## Component Check List

- |   |  |    |
|---|--|----|
| A |  | x4 |
| B |   | x4 |
| C |  | x4 |

## Tools Required

- |   |  |                      |
|---|--|----------------------|
| D |  | Allen Key (Supplied) |
|---|--|----------------------|