

Pure & Easy



# **ASSEMBLY INSTRUCTIONS**



GDPAOP-0127  
GDPAOP-0128

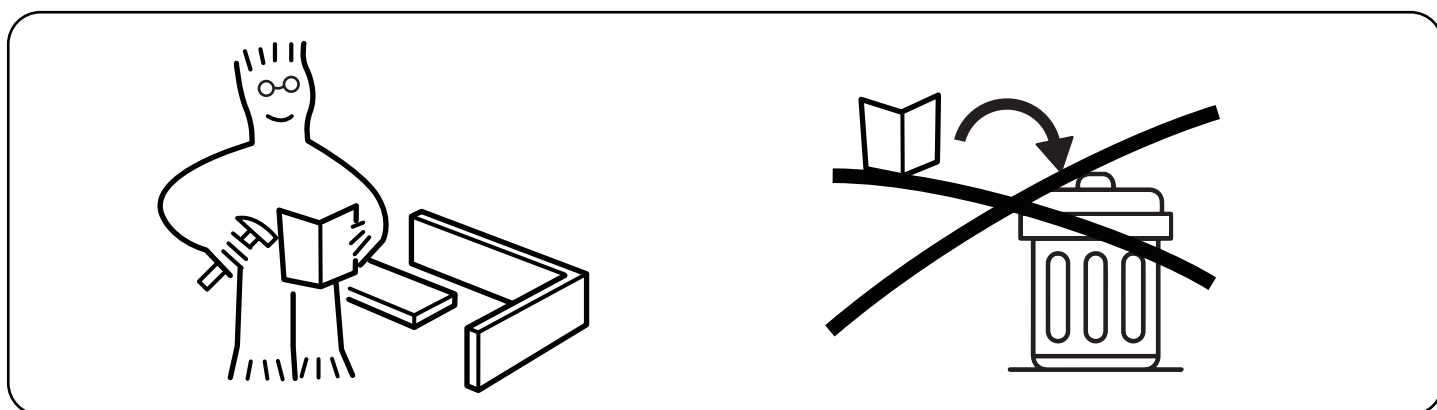
GDPAOP-0129  
GDPAOP-0130

GDPAOP-0131

JSSBJJ-V1

# NOTICE

IMPORTANT, RETAIN FOR FUTURE REFERENCE: READ CAREFULLY  
WICHTIG, FÜR SPÄTERE NACHSCHLAGE AUFBEWAHREN: SORGFÄLTIG LESEN  
IMPORTANTE, GUARDAR PARA REFERENCIA FUTURA: LEER ATENTAMENTE  
IMPORTANTE, CONSERVARE PER RIFERIMENTI FUTURI: LEGGERE ATTENTAMENTE  
IMPORTANT, À CONSERVER POUR RÉFÉRENCE FUTURE : LIRE ATTENTIVEMENT



Assemble on a flat and solid surface. To avoid the unstable surface affecting the overall frame stability during installation.

Montieren Sie auf einer ebenen und festen Oberfläche. Um zu verhindern, dass eine unebene Oberfläche während der Montage die Gesamtrahmen-Stabilität beeinträchtigt.

Ensamblar en una superficie plana y sólida. Afin d'éviter que la surface inégale n'affecte la stabilité générale du cadre lors de l'installation.

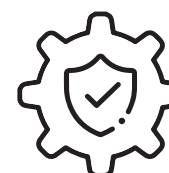
Assemblare su una superficie piana e solida. Per evitare che una superficie irregolare influisca sulla stabilità complessiva della struttura durante l'installazione.

Assemble sur une surface plate et solide. Para evitar que la instalación en una superficie irregular afecte la estabilidad general del marco.

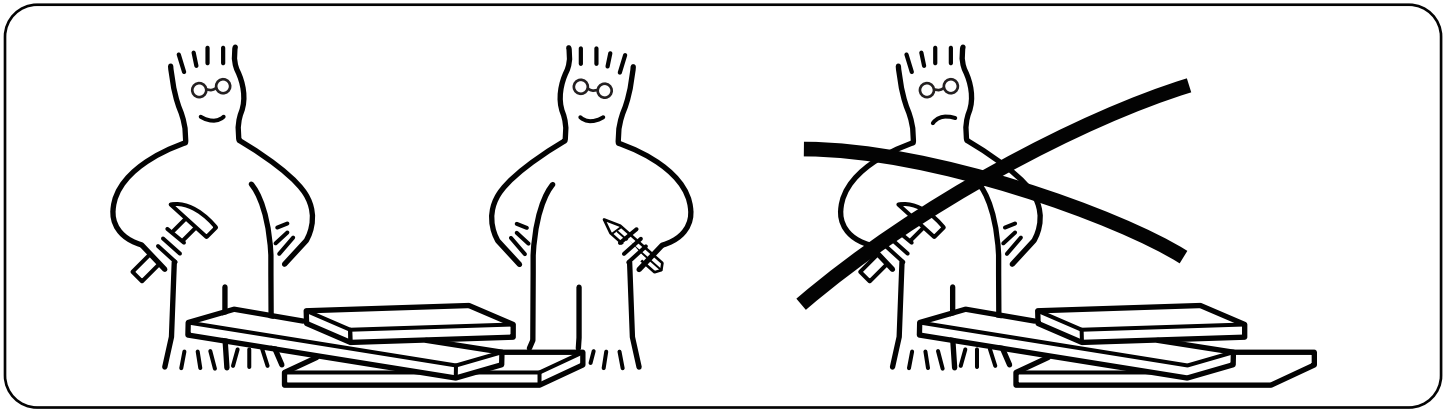
Professional installation is highly recommended.  
Eine professionelle Installation wird dringend empfohlen.  
Une installation professionnelle est fortement recommandée.  
Si raccomanda vivamente l'installazione professionale.  
Se recomienda altamente la instalación profesional.



Periodically Check That All Components Are Tightly Secured.  
Überprüfen Sie Regelmäßig, Dass Alle Komponenten Fest Gesichert Sind.  
Vérifiez Périodiquement Que Tous Les Composants Sont Bien Fixés.  
Controllare Periodicamente Che Tutti I Componenti Siano Ben Fissati.  
Verifique Periódicamente Que Todos Los Componentes Estén Bien Asegurados.

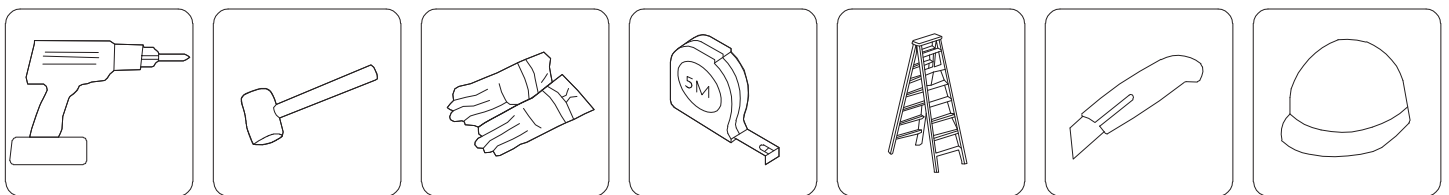


It is recommended that multiple people assemble this product.  
Es wird empfohlen, dass mehrere Personen dieses Produkt zusammenbauen.  
Il est recommandé que plusieurs personnes assemblent ce produit.  
Si raccomanda che più persone assemblino questo prodotto.  
Se recomienda que varias personas ensamblen este producto.



Please contact us if parts of your furniture are missing.  
Bitte kontaktieren Sie uns, wenn Teile Ihrer Möbel fehlen.  
Por favor contáctenos si faltan piezas de sus muebles.  
Si prega di contattarci se mancano parti dei vostri mobili.  
Veuillez nous contacter si des pièces de vos meubles manquent.

Please have the following auxiliary tools ready:  
Bitte halten Sie die folgenden Hilfswerkzeuge bereit:  
Veuillez préparer les outils auxiliaires suivants :  
Si prega di preparare i seguenti strumenti ausiliari:  
Por favor, tenga listos los siguientes herramientas auxiliares:



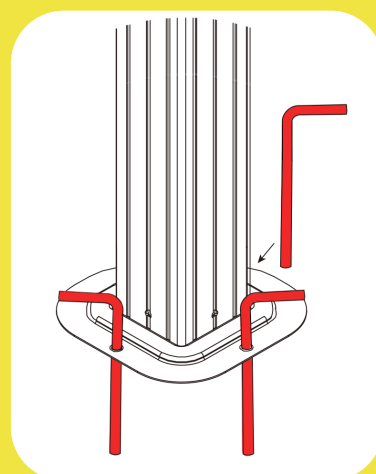
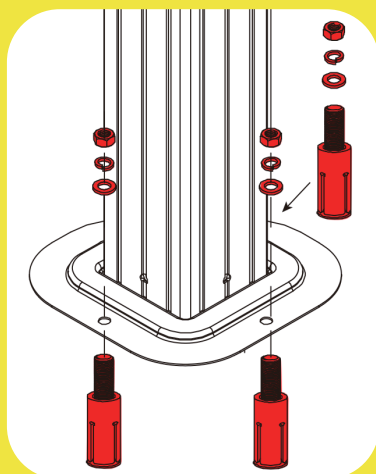


# WARNING

- Installation on solid, level ground (e.g., concrete or pavers) is strongly recommended.
  - On hard surfaces (e.g., concrete), secure each leg with 3 expansion bolts.
  - On grass or compacted soil, secure each leg with 3 ground stakes.

**\*\*Note\*\*** Installing directly on soil or grass may lead to settling, tilting, or even collapse over time due to seasonal ground movement. For soft surfaces, we strongly recommend using spiral stakes or ground augers (sold separately) to secure the structure.

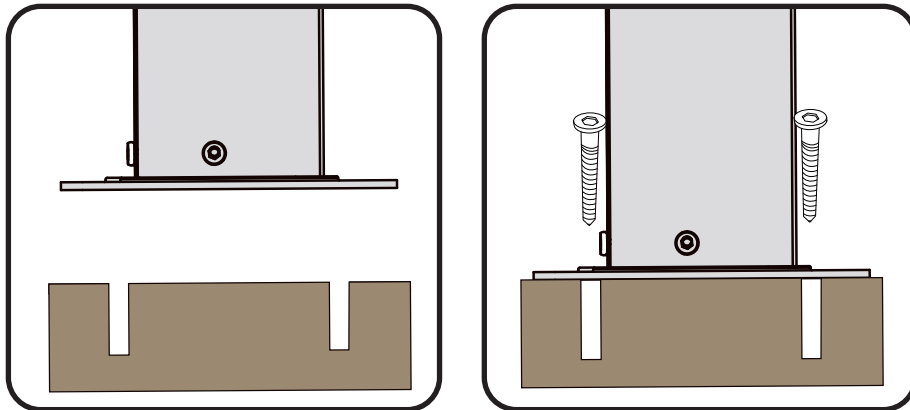
- Always place the gazebo on level ground and maintain a minimum clearance of 6 feet (1.8 m) from fences, walls, houses, trees, power lines, laundry lines, or other obstructions.
- Inspect all bolts, joints, and anchors every 90 days for looseness, rust, or damage. Tighten or replace as needed.
- **\*\*Never\*\*** climb on, shake, lean heavily against, or use the gazebo as a support structure.
- **\*\*Do not use\*\*** in high winds (>25 mph), heavy snow, storms, or severe weather. Remove canopy or disassemble if extreme conditions are expected. Clear snow immediately once it reaches 2 inches (5 cm) to avoid damage or collapse.
- Keep away from open flames, grills, or fire hazards. Fabric parts may ignite easily.
- This product is not a toy. Supervise children at all times.
- Failure to follow these instructions may result in property damage, serious injury, or death. Warranty does not cover damages caused by improper installation or misuse.



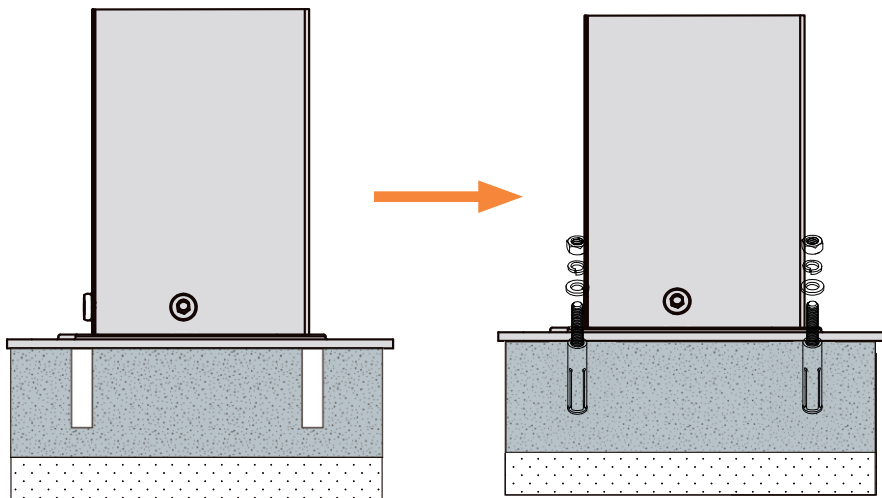


The following installation methods will provide better wind resistance performance, extend the product's lifespan, and help you maximize its value, delivering an even better user experience.

1




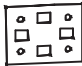

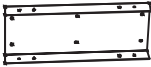

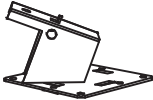

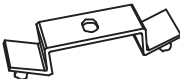










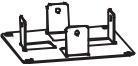

If the deck you are installing is made of hardwood and has a depth exceeding 40mm, you can use ST8\*35mm screws to secure it in place. (This hardware is not included with the product, so you will need to purchase it separately.)


















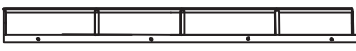










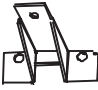
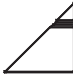
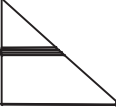

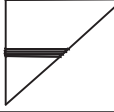









2



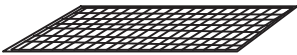



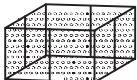


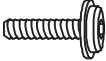
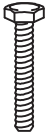
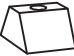








The best option is to fix it on a concrete surface. You can use the expansion bolts that are pre-configured with the product to secure it in place.







# PARTS





Item no. Nr. N° d'article Articolo No. Artículo No.	Reference Image Referenzbild Image de référence Immagine di riferimento Imagen de referencia	Qty. Menge Qté. Qtà Cant.	Item no. Nr. N° d'article Articolo No. Artículo No.	Reference Image Referenzbild Image de référence Immagine di riferimento Imagen de referencia	Qty. Menge Qté. Qtà Cant.
18		X4	B1		X6
26		X2	B2		X6
25		X2	B3		X4
27		X2	B4		X12
23		X2	B5		X8
24		X2	B6		X36
19		X4	E3		X2
20		X4	E4		X2
A1		X4	E5		X2
A2		X4	E6		X2

Item no. Nr. N° d'article Articolo No. Artículo No.	Reference Image Referenzbild Image de référence Immagine di riferimento Imagen de referencia	Qty. Menge Qté. Qtà Cant.	Item no. Nr. N° d'article Articolo No. Artículo No.	Reference Image Referenzbild Image de référence Immagine di riferimento Imagen de referencia	Qty. Menge Qté. Qtà Cant.
E7		X2	F3		X4
D1		X4	F4		X4
D2		X4	F5		X4
C5		X2	F8		X4
C6		X2	F9		X4
C3		X2	F7		X2
C4		X2	G1		X1
V2		X4	J5		X2
F1		X10	J6		X2
F2		X4	O3		X2

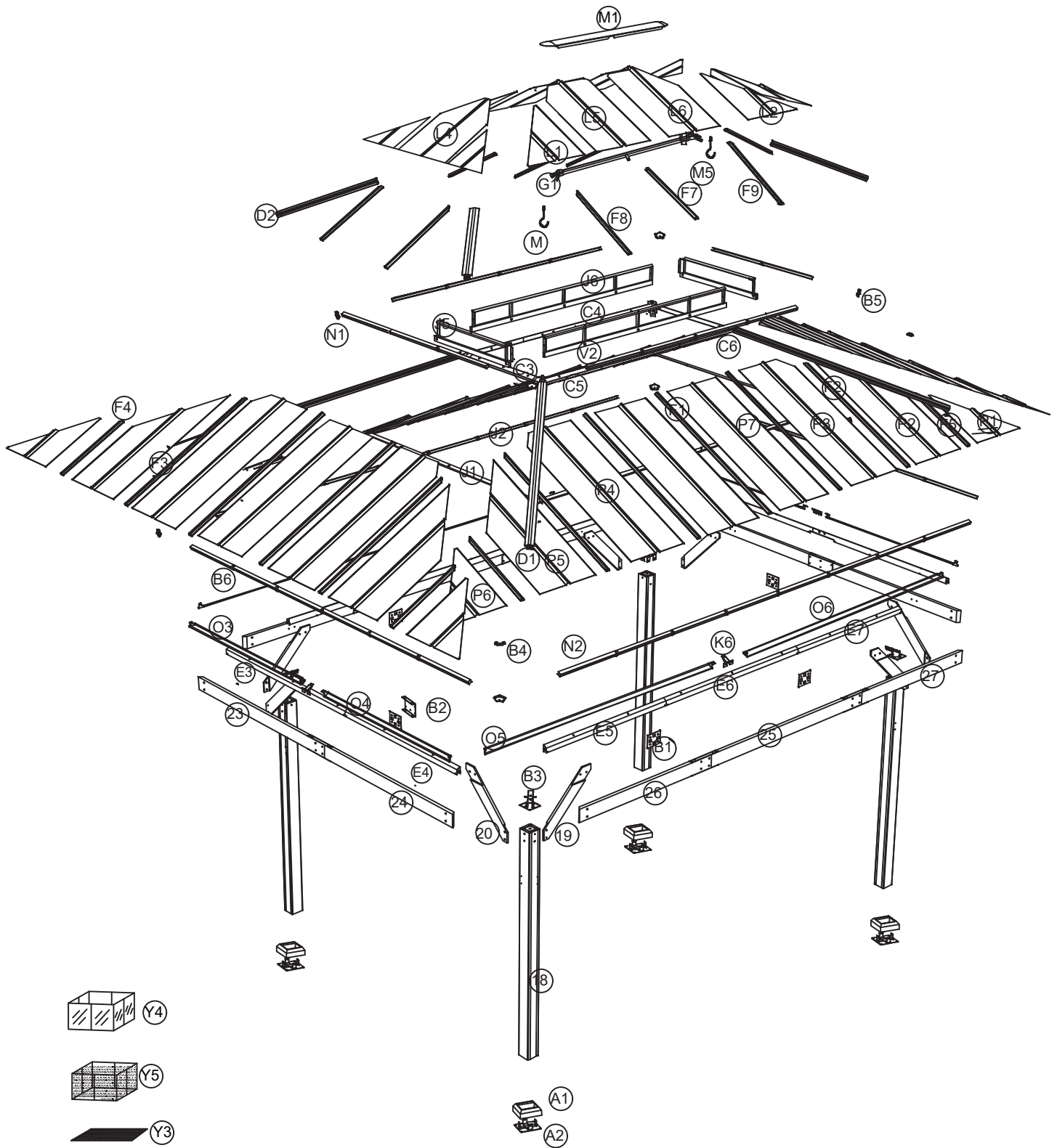
Item no. Nr. N° d'article Articolo No. Artículo No.	Reference Image Referenzbild Image de référence Immagine di riferimento Imagen de referencia	Qty. Menge Qté. Qtà Cant.	Item no. Nr. N° d'article Articolo No. Artículo No.	Reference Image Referenzbild Image de référence Immagine di riferimento Imagen de referencia	Qty. Menge Qté. Qtà Cant.
O4		X2	M		X2
O5		X2	N1		X36
O6		X2	N2		X8
K6		X4	P1		X4
L1		X4	P2		X4
L2		X4	P3		X4
L4		X2	P7		X6
L5		X2	P4		X4
L6		X2	P5		X4
M1		X1	P6		X4

Item no. Nr. N° d'article Articolo No. Artículo No.	Reference Image Referenzbild Image de référence Immagine di riferimento Imagen de referencia	Qty. Menge Qté. Qtà Cant.	Item no. Nr. N° d'article Articolo No. Artículo No.	Reference Image Referenzbild Image de référence Immagine di riferimento Imagen de referencia	Qty. Menge Qté. Qtà Cant.
X		X120	H7		X8
Y3		X1	H8		X8
Y4		X1	H9		X24
Y5		X1	H10		X8
H1		X50	H11		X24
H2		X76	H12		X14
H3		X8	H13		X44
H4		X48	H14		X16
H5		X138	H15		X32
H6		X32	H16		X8

Item no. Nr. N° d'article Articolo No. Artículo No.	Reference Image Referenzbild Image de référence Immagine di riferimento Imagen de referencia	Qty. Menge Qté. Qtà Cant.
		<b>X8</b>
		<b>X8</b>
		<b>X1</b>

Item no. Nr. N° d'article Articolo No. Artículo No.	Reference Image Referenzbild Image de référence Immagine di riferimento Imagen de referencia	Qty. Menge Qté. Qtà Cant.
		<b>X1</b>
		<b>X2</b>

# EXPLODED VIEW



# ASSEMBLY

1

X4



18 4pcs



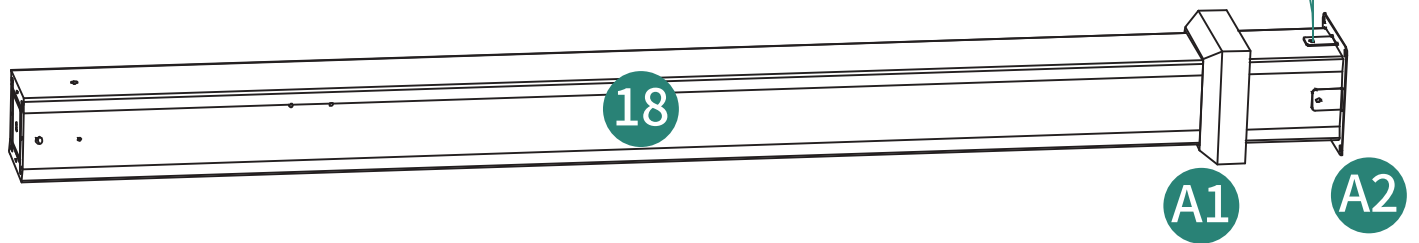
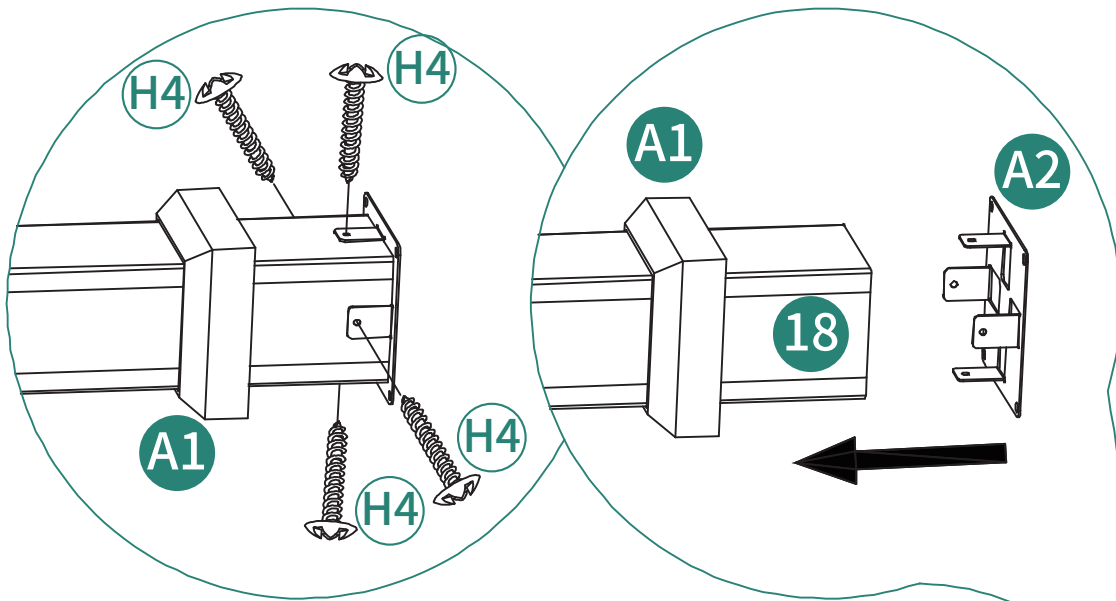
A1 4pcs









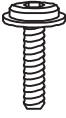
A2 4pcs

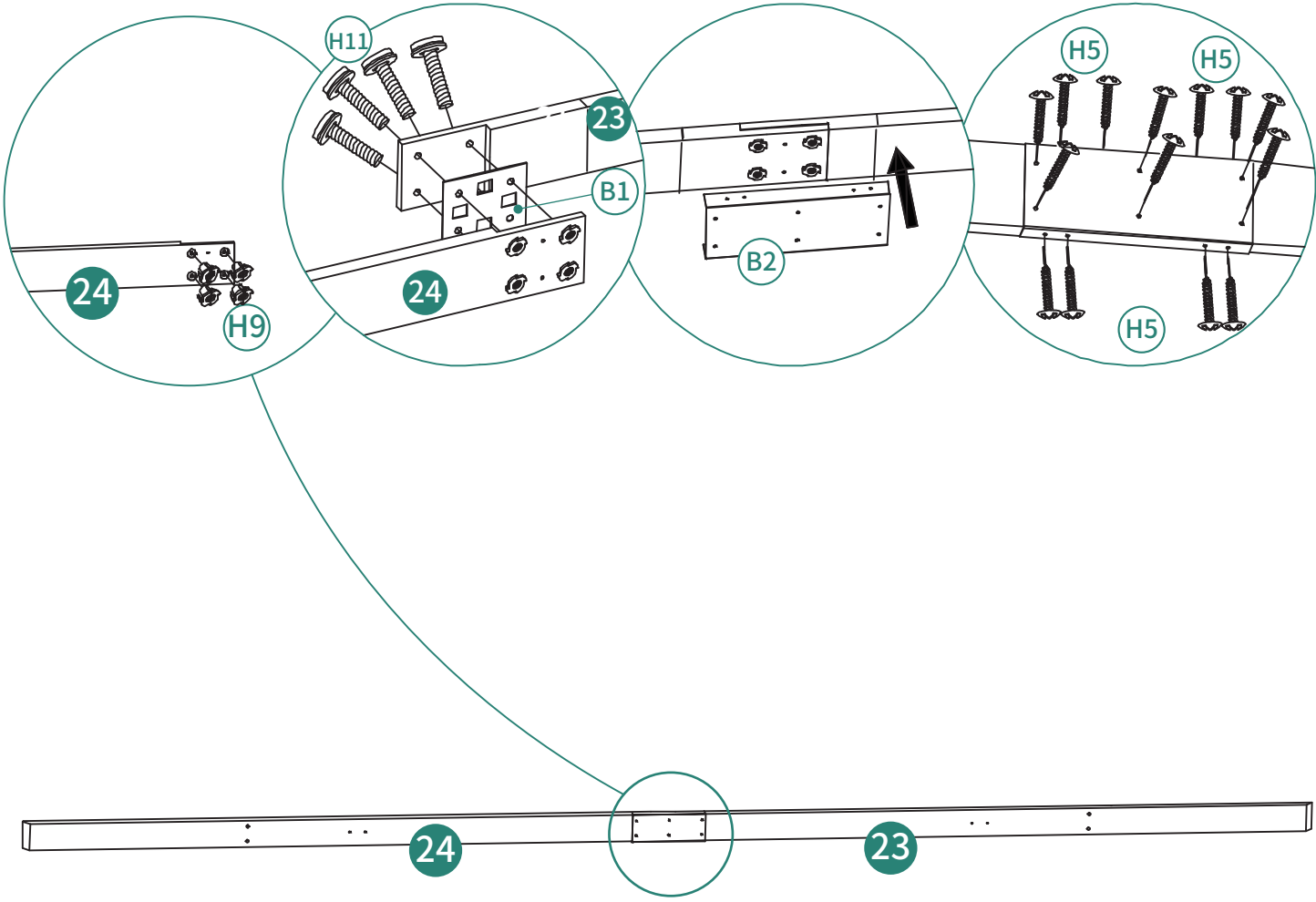


H4 16pcs

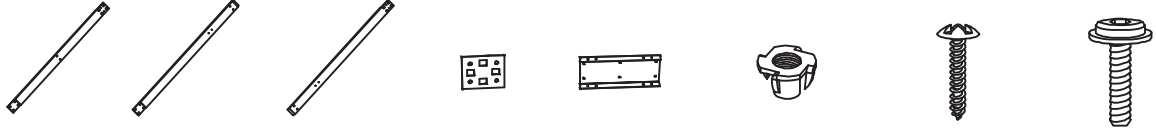


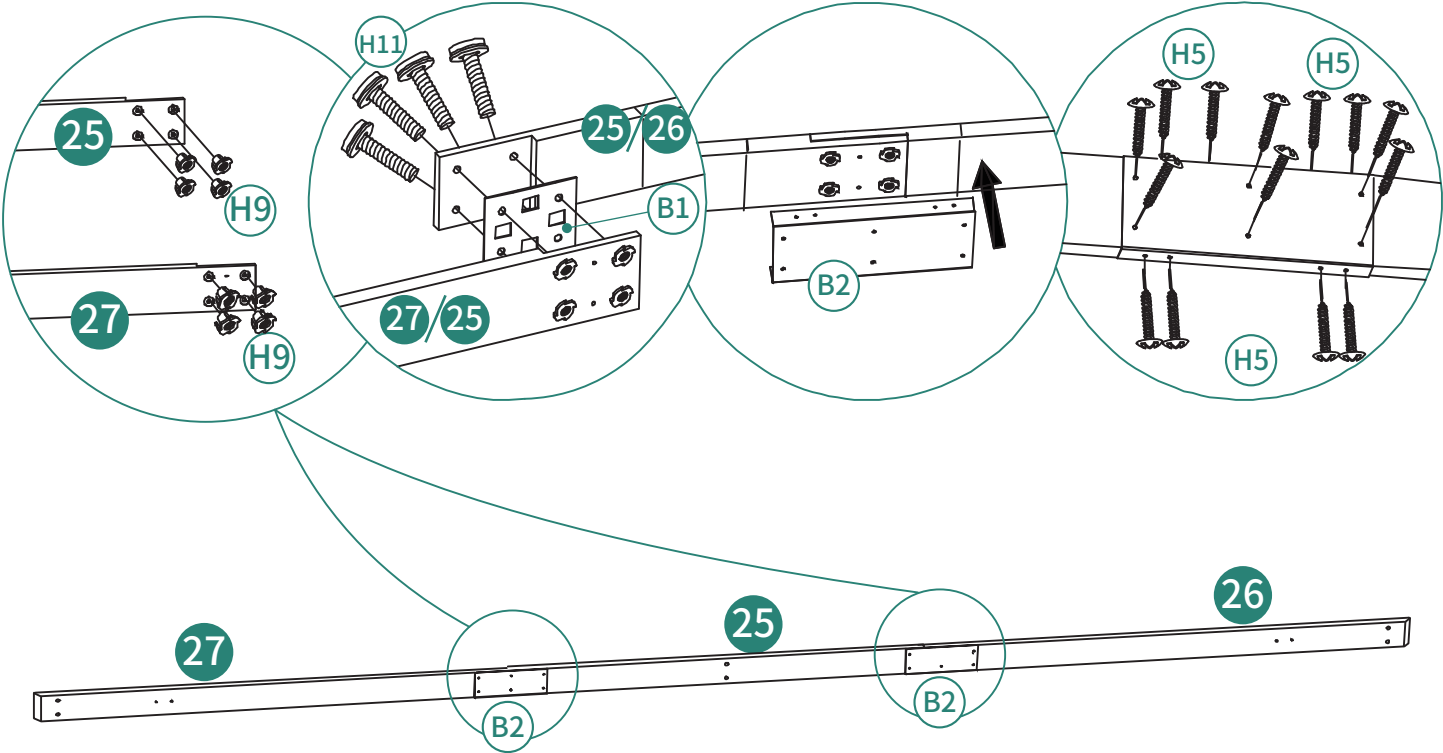
**2**  
**X2**

-  23 2pcs
-  24 2pcs
-  B1 2pcs
-  B2 2pcs
-  H9 8pcs
-  H5 28pcs
-  H11 8pcs






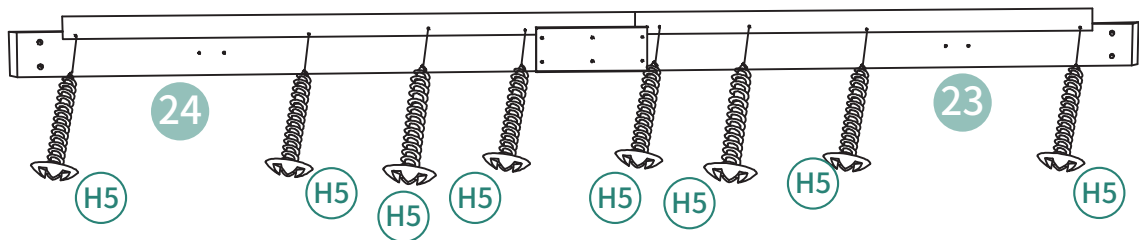
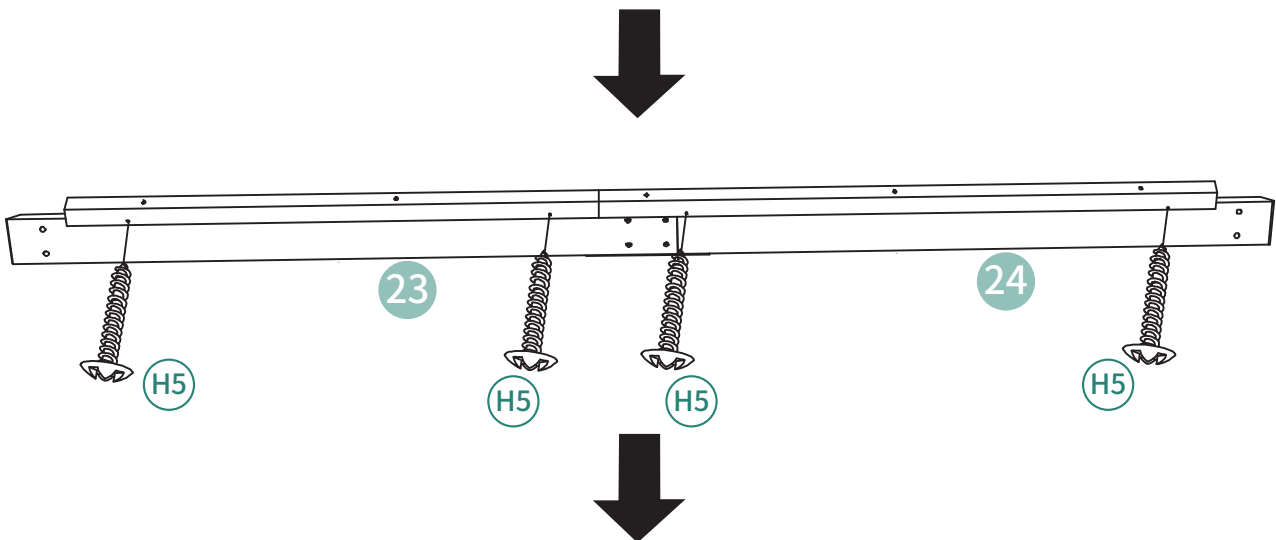
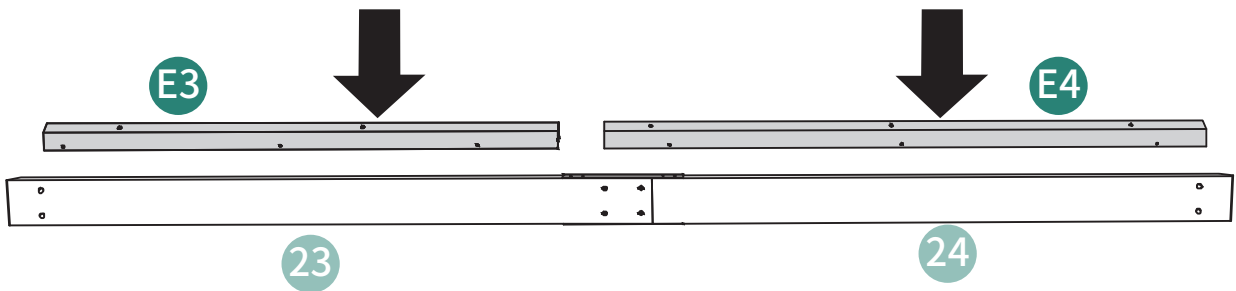
**3**  
**X2**

- 
- ②5 2pcs
  - ②6 2pcs
  - ②7 2pcs
  - ⓑ1 4pcs
  - ⓑ2 4pcs
  - ⓓ9 16pcs
  - ⓓ5 56pcs
  - ⓓ11 16pcs

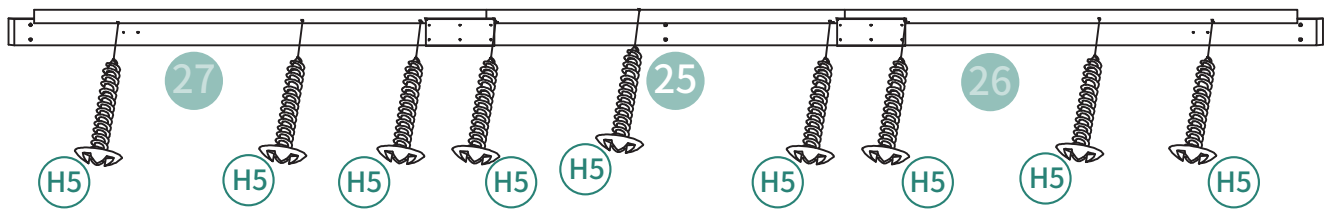
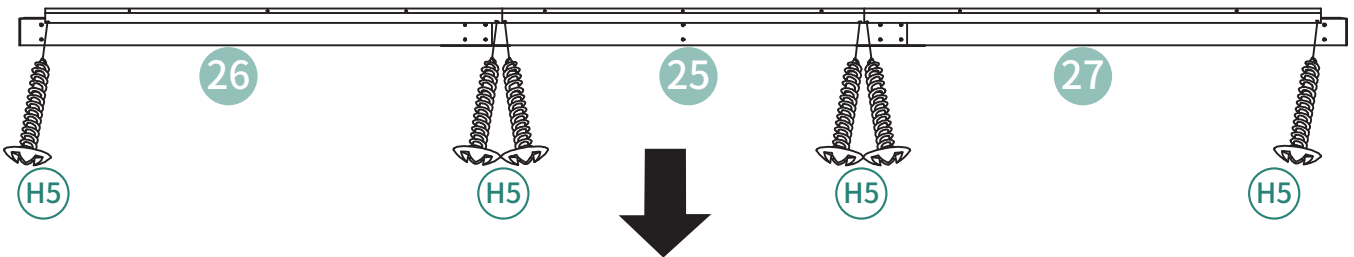
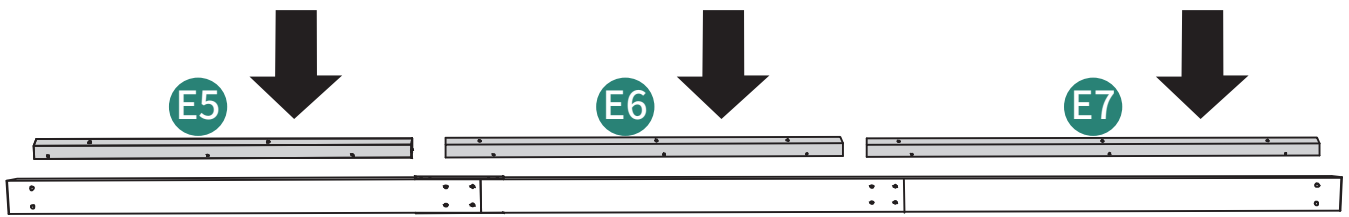


**4**  
**X2**

 **E3** 2pcs  
  **E4** 2pcs  
  **H5** 24pcs



**5**  
**X2**



6

X2



H8 4pcs



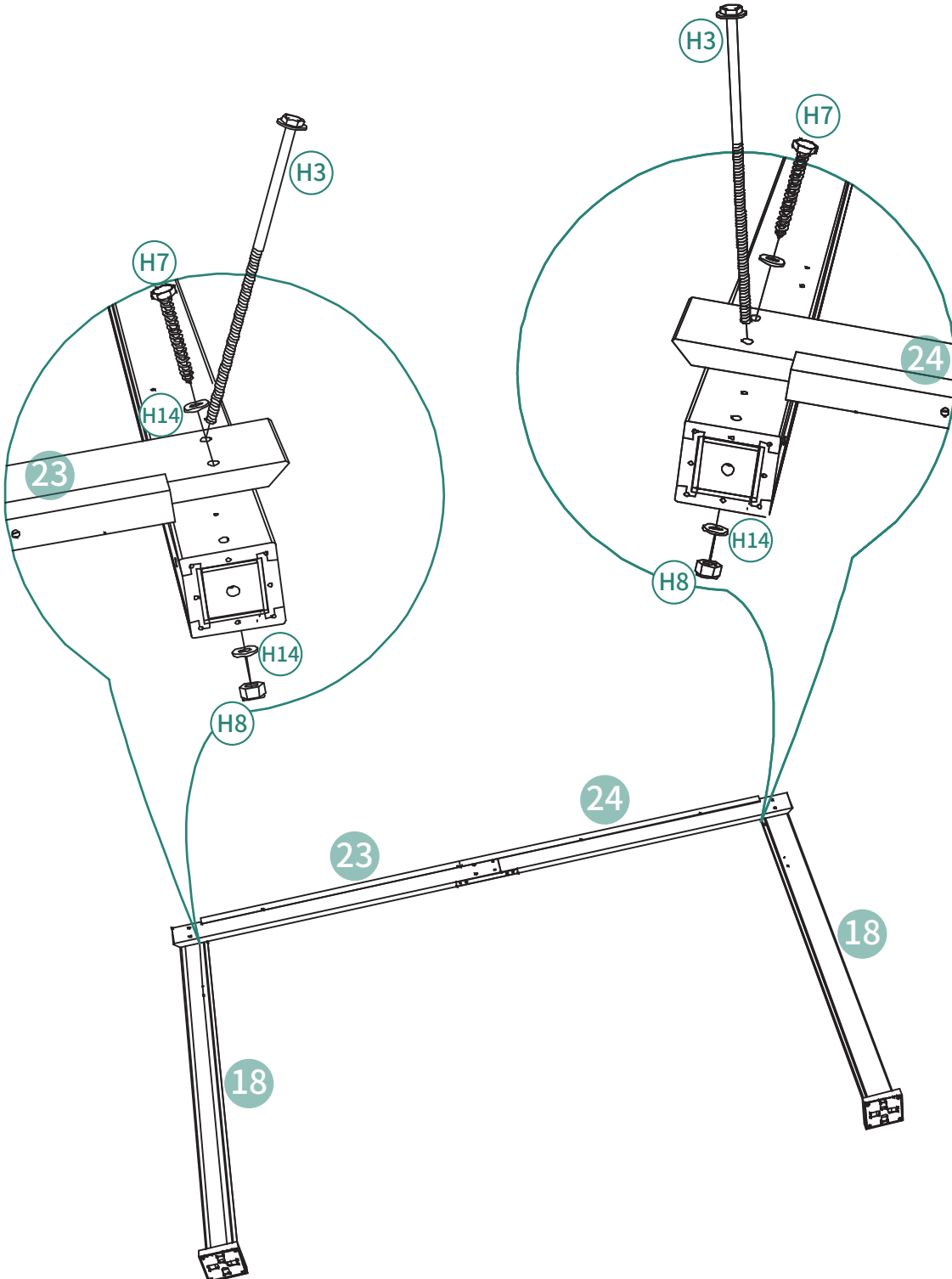
H14 8pcs



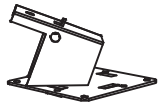
H7 4pcs



H3 4pcs



# 7



ⓑ3 4pcs



ⓓ8 4pcs



ⓓ14 8pcs



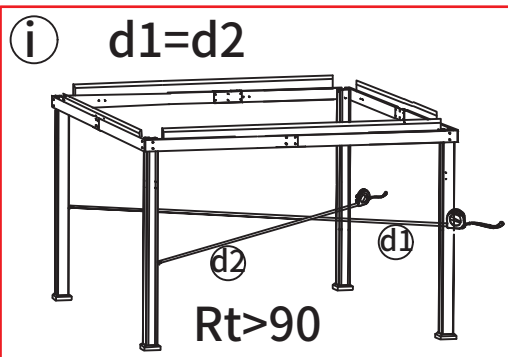
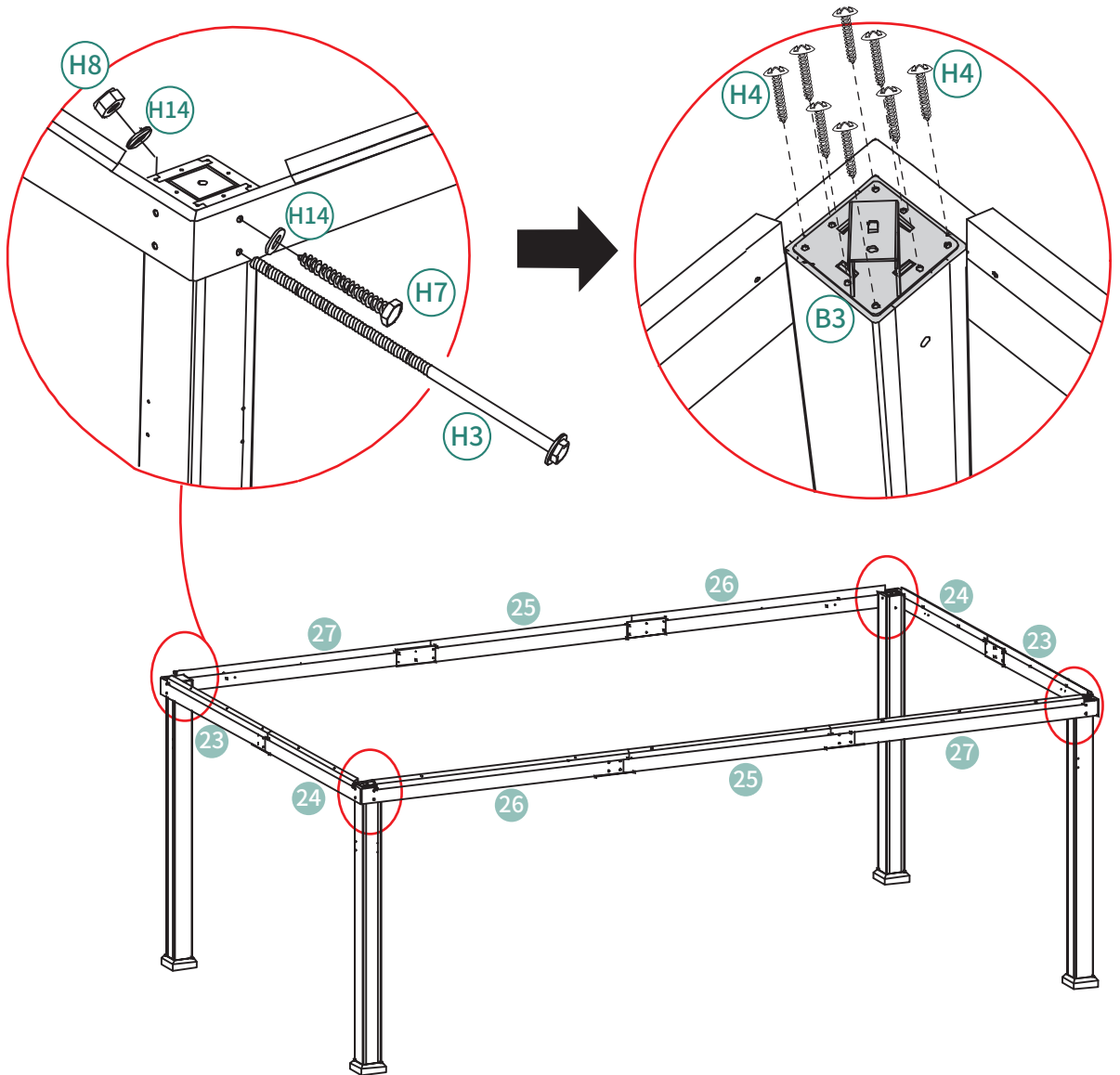
ⓓ7 4pcs



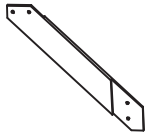
ⓓ3 4pcs



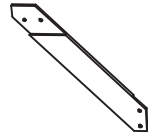
ⓓ4 32pcs



8



19 4pcs



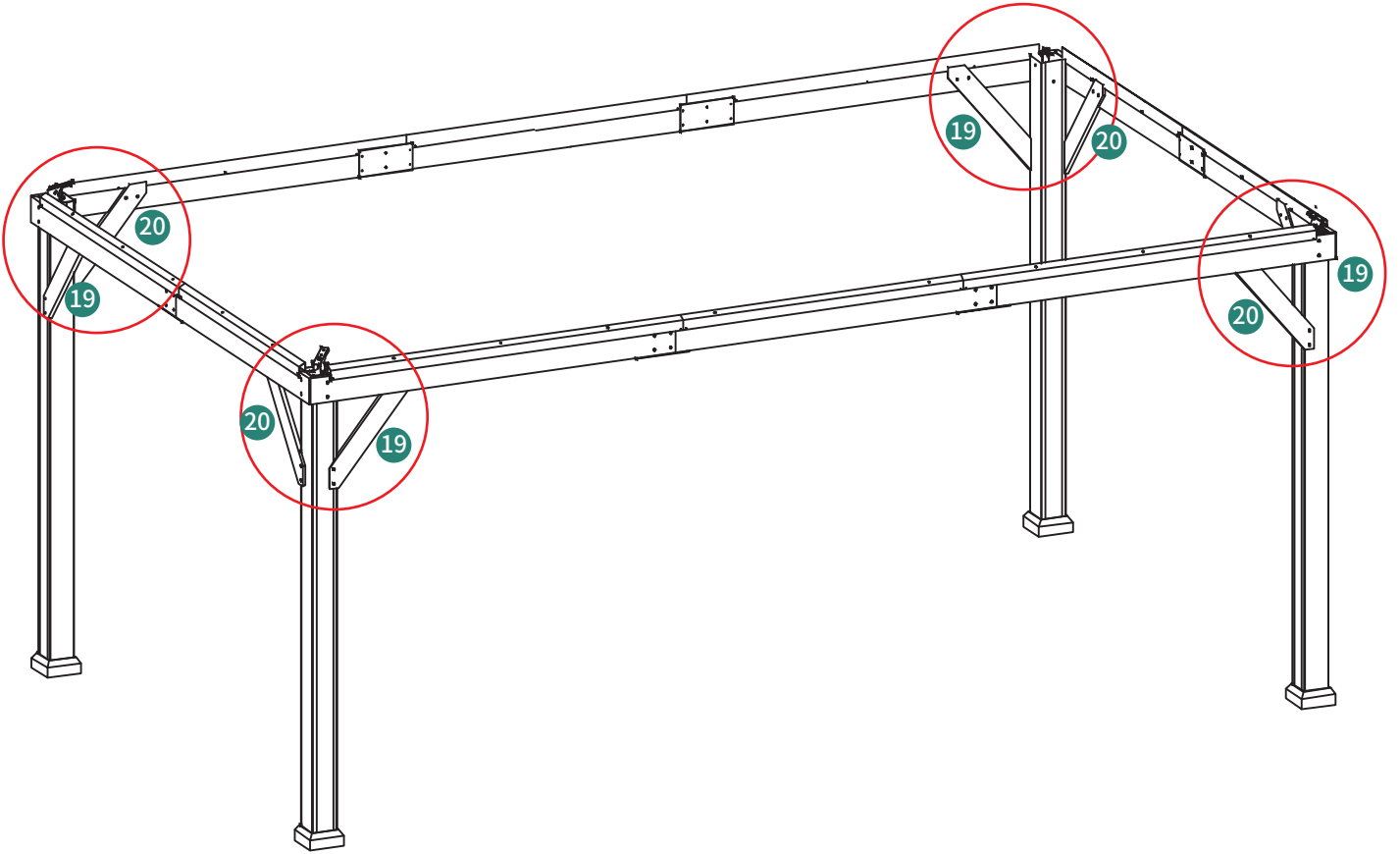
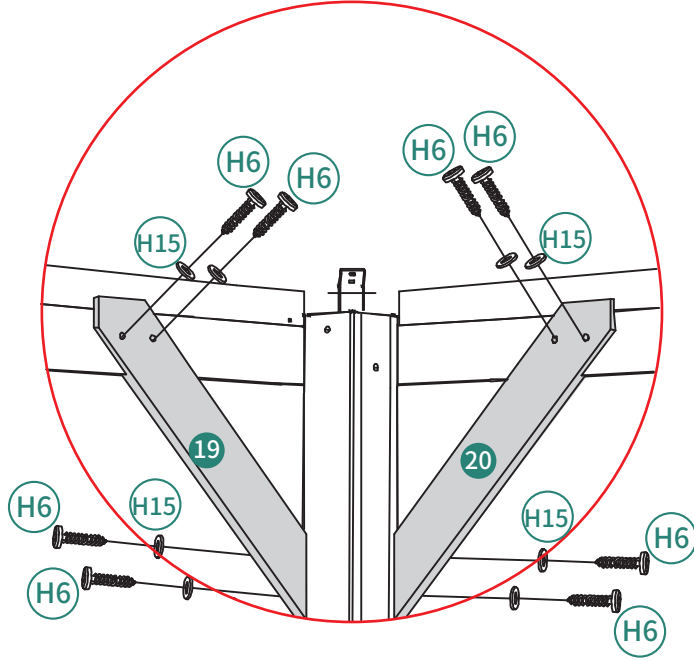
20 4pcs




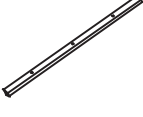
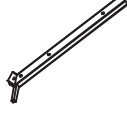
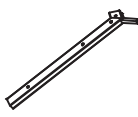

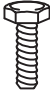
H15 32pcs

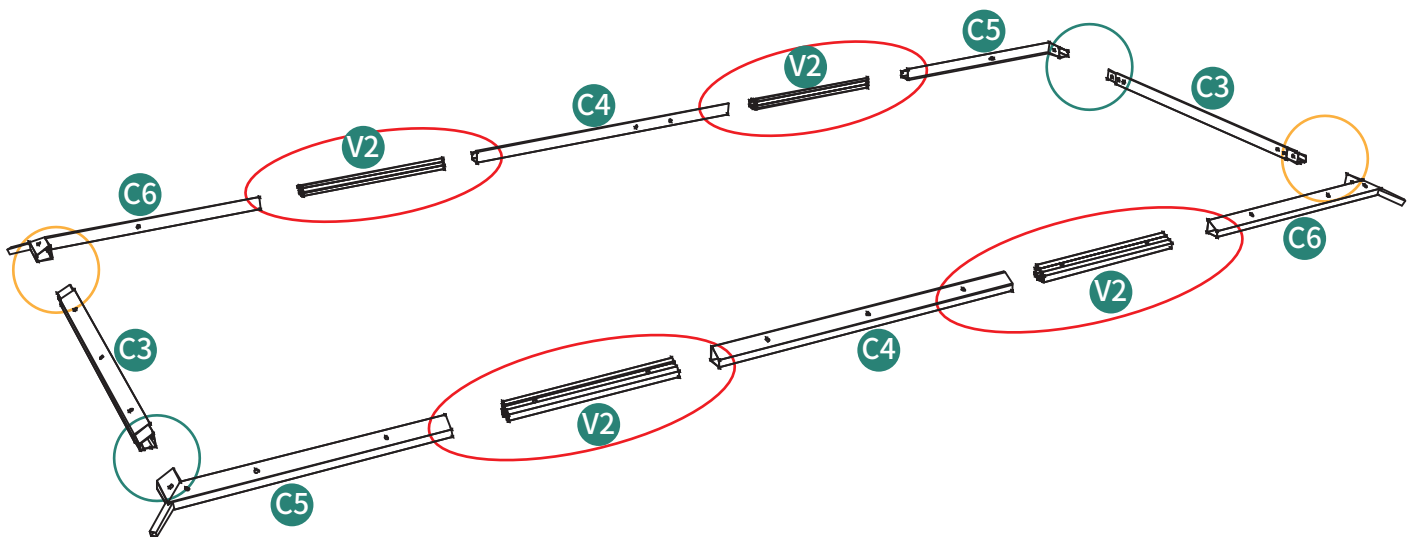
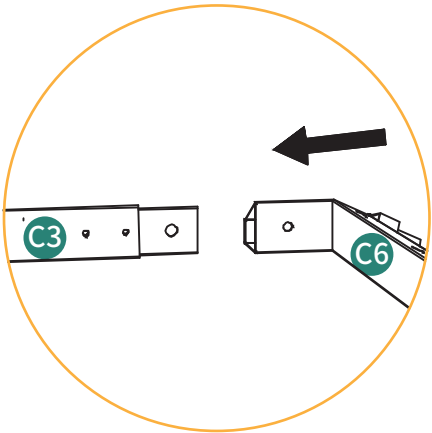
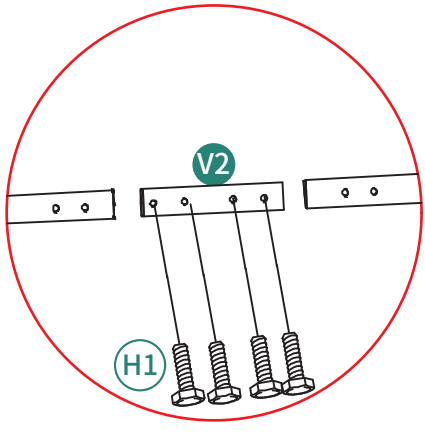
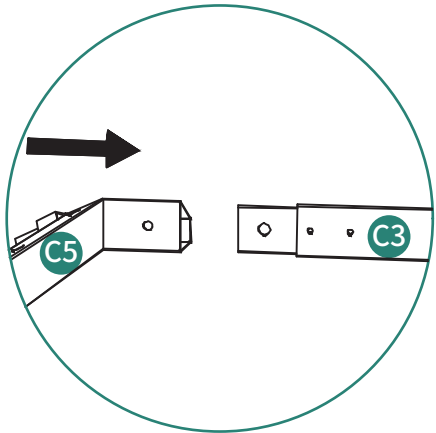


H6 32pcs

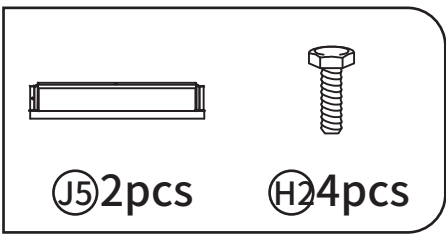


# 9

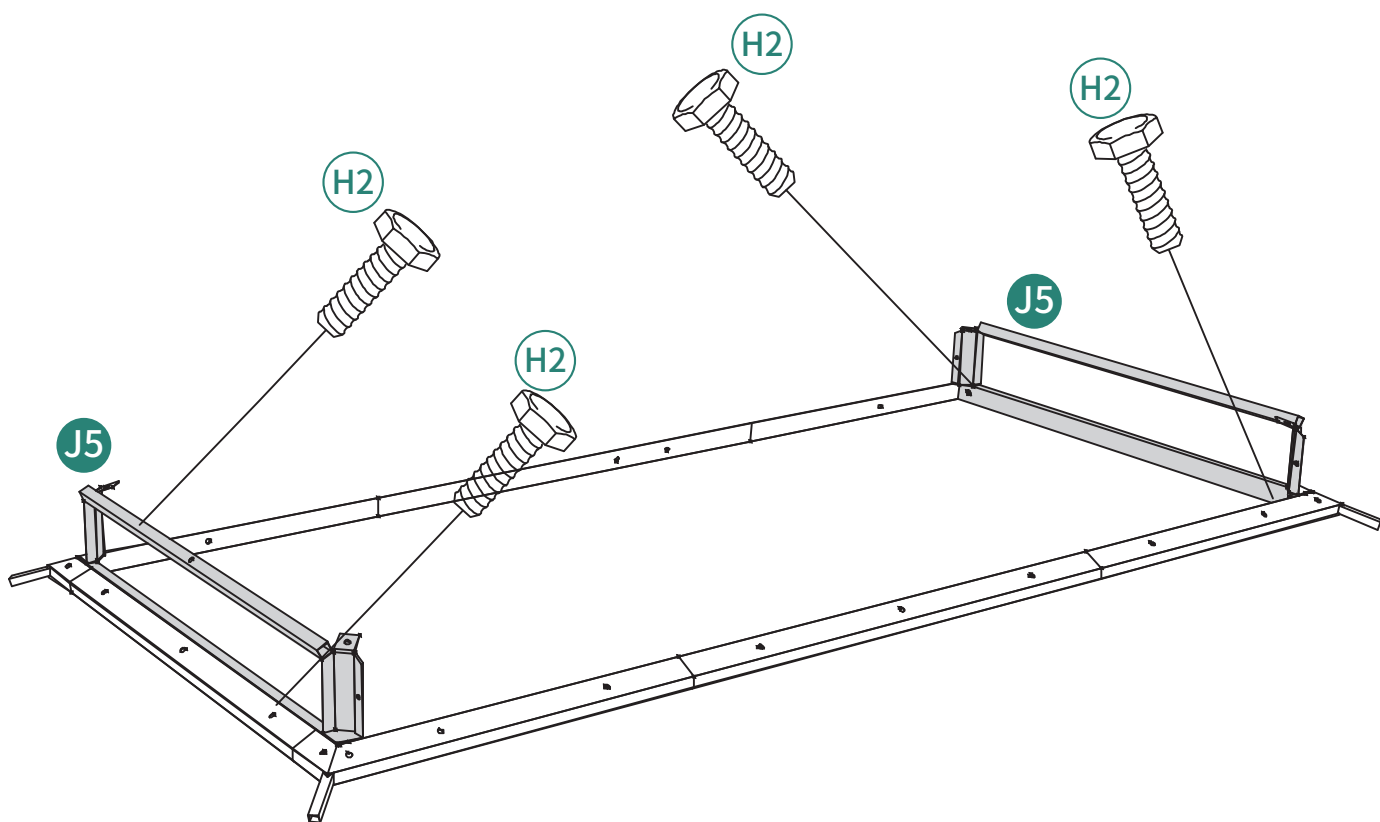
-  C3 4pcs
-  C4 2pcs
-  C5 2pcs
-  C6 2pcs
-  V2 4pcs
-  H1 16pcs




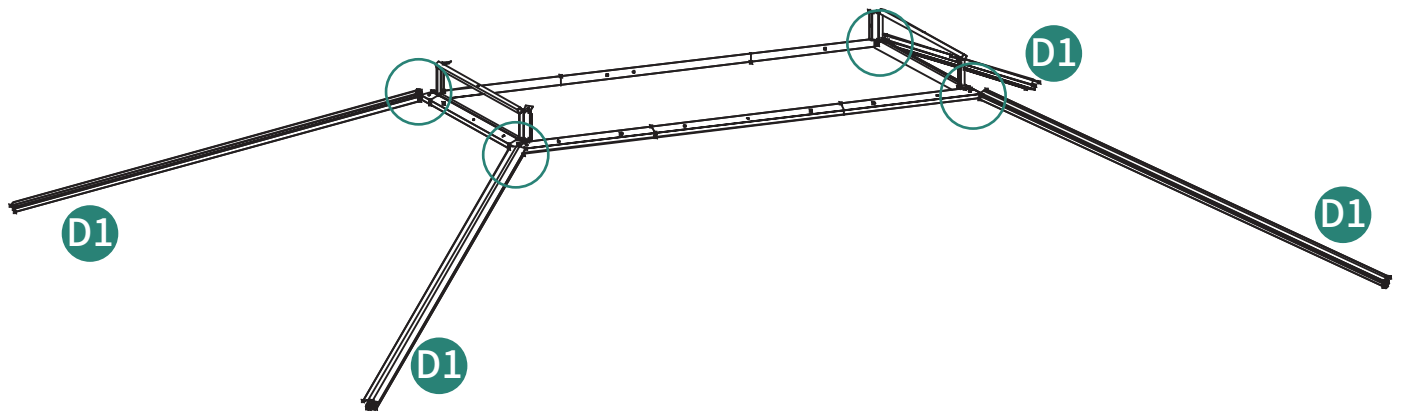
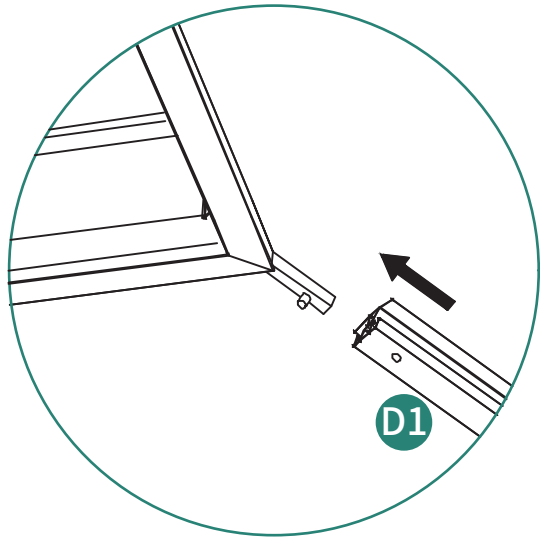
**10**



ⓐ J5 2pcs      ⓑ H2 4pcs



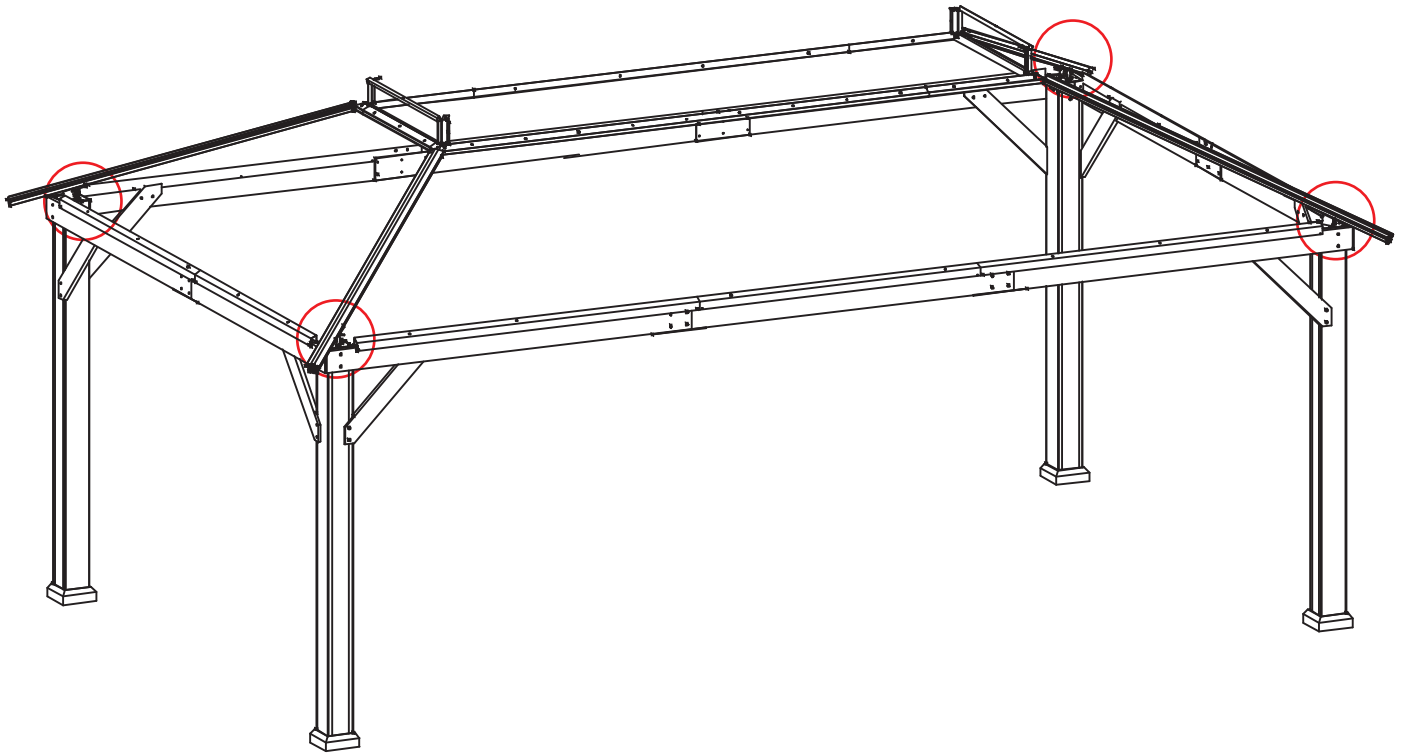
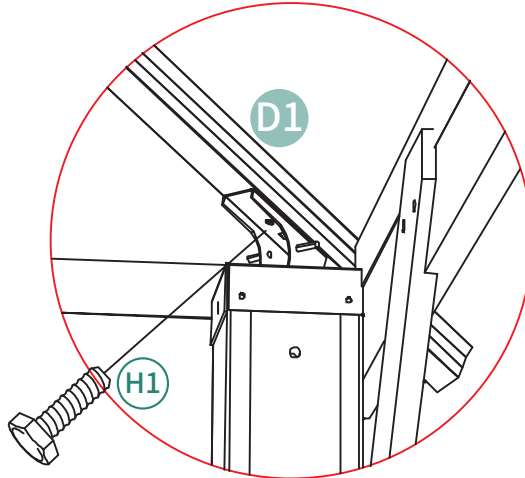
**11**  **D1** 4pcs



12



(H1) 4pcs



# 13



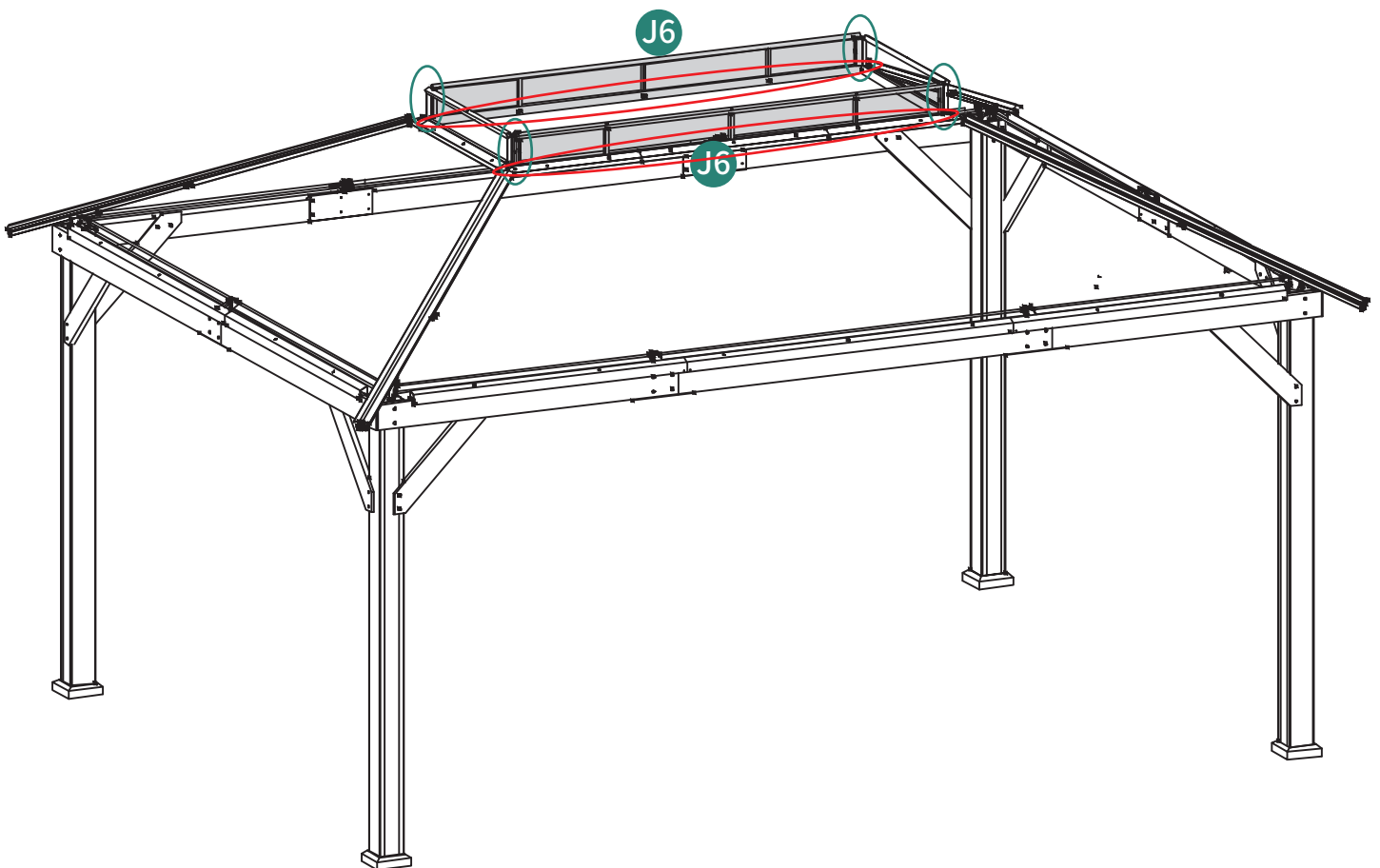
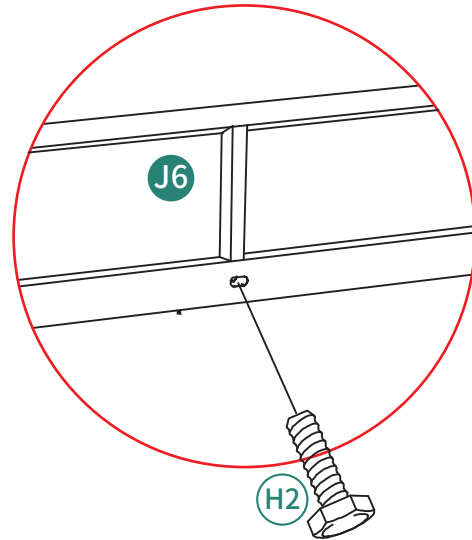
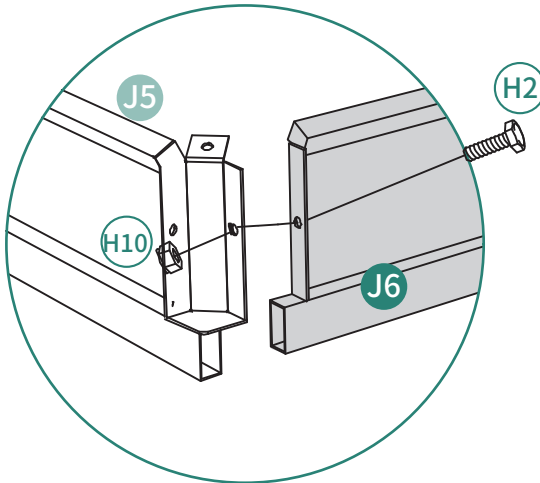
ⓐJ6 2pcs








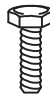

ⓐH2 12pcs

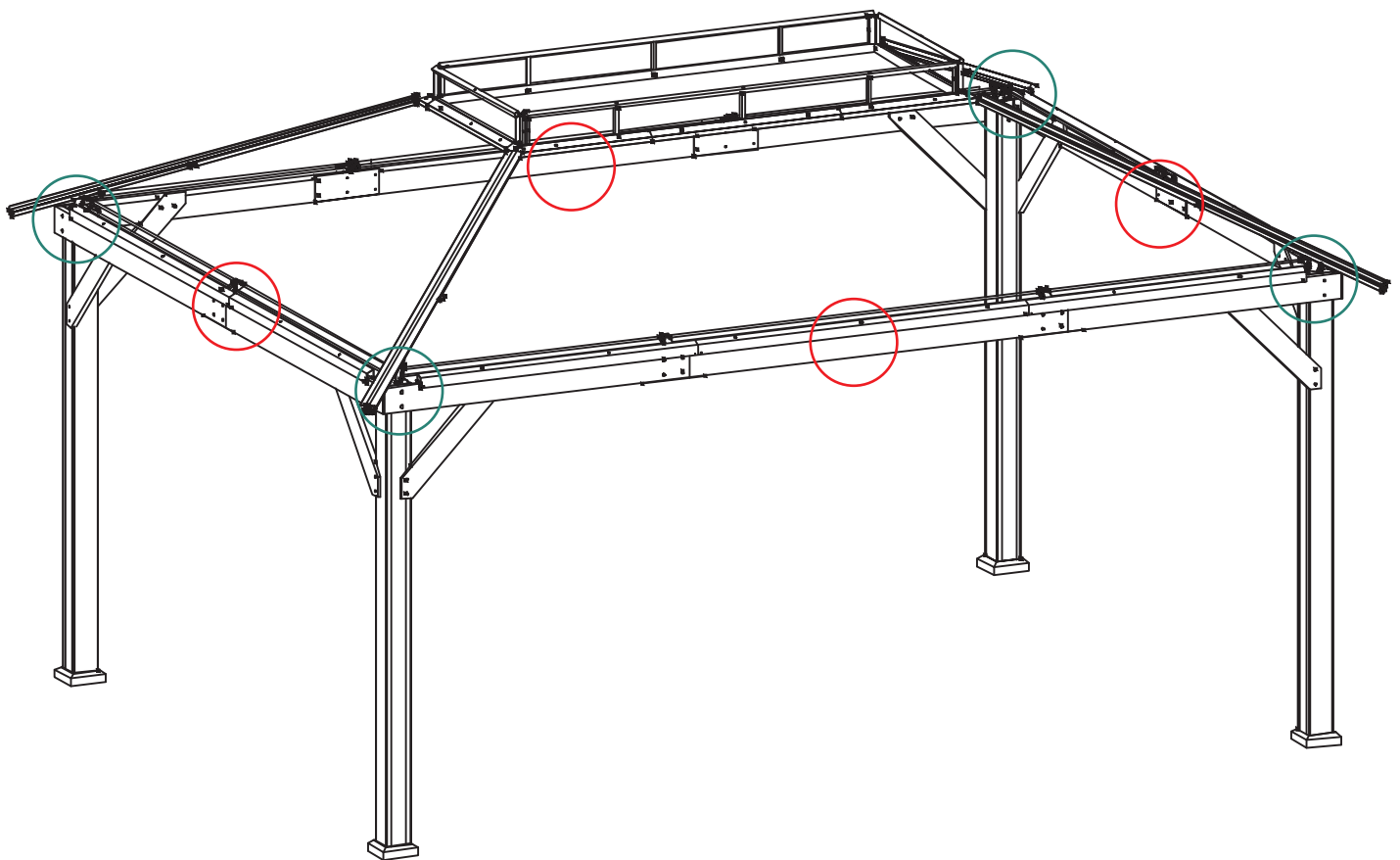
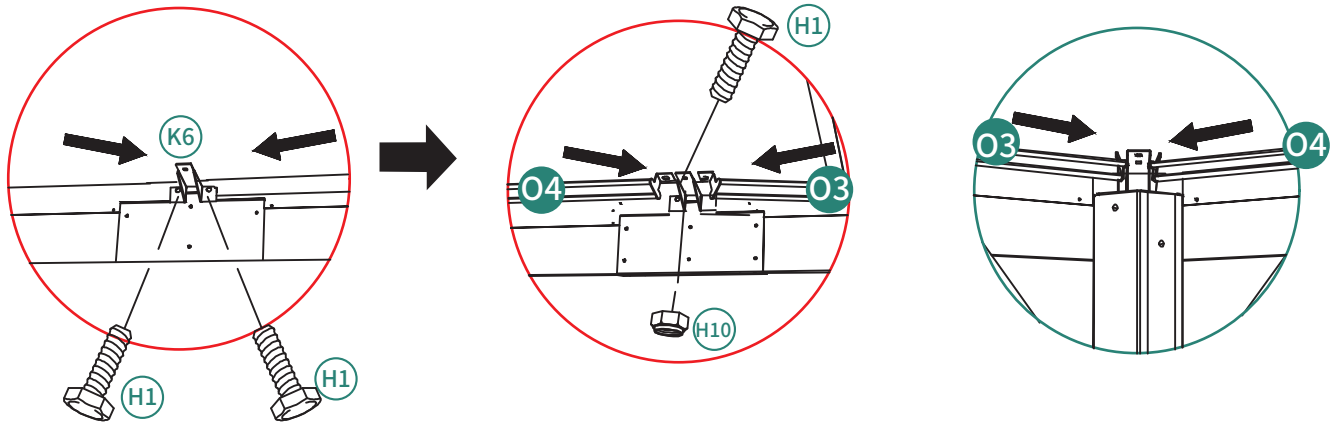


ⓐH10 4pcs

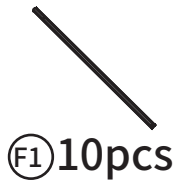


# 14

-  ③ 2pcs
-  ④ 2pcs
-  ⑤ 2pcs
-  ⑥ 2pcs
-  ⑥ 4pcs
-  ① 12pcs
-  ⑩ 4pcs



15

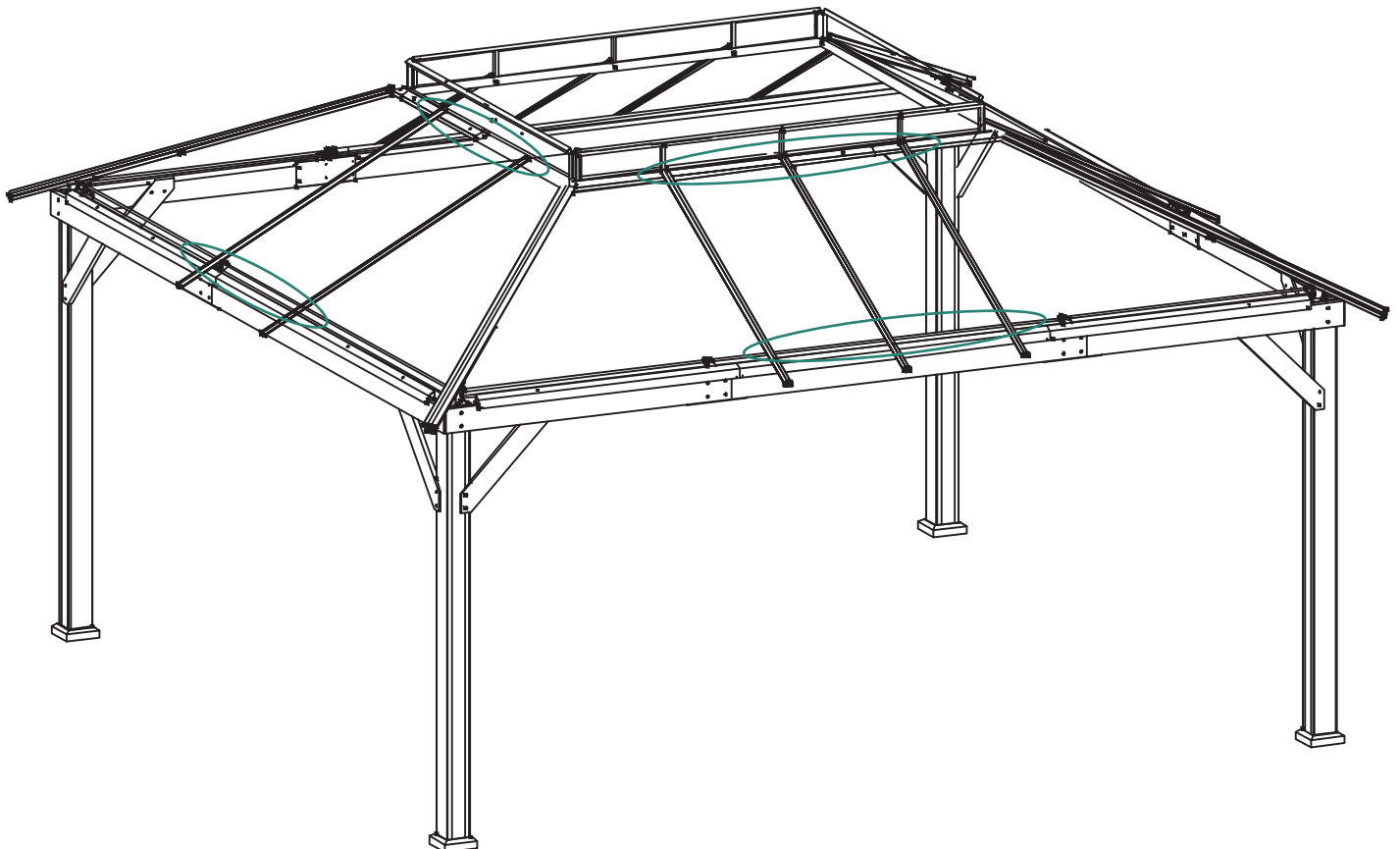
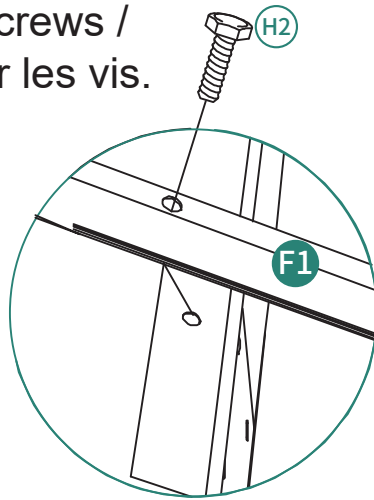


F1 10pcs

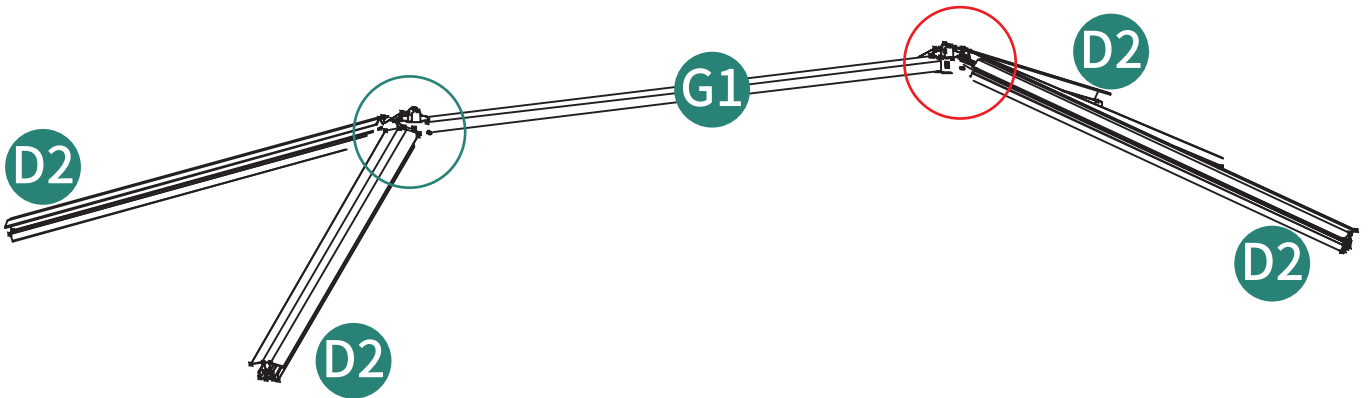
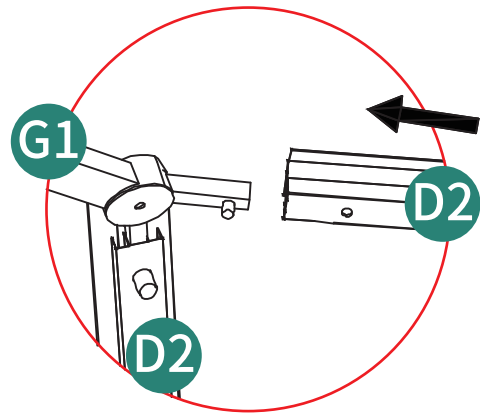
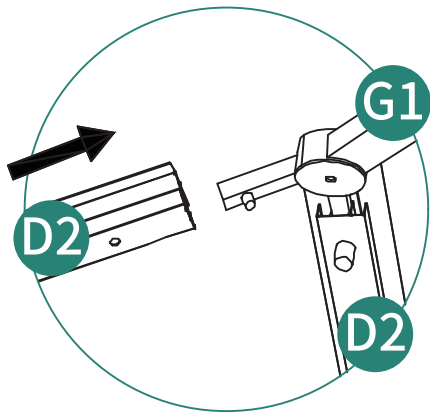
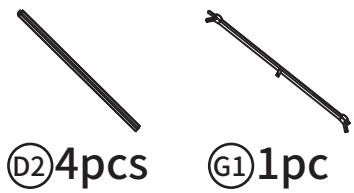


H2 20pcs




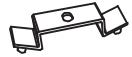


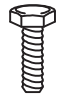
Do not lock the screws /  
Ne pas verrouiller les vis.

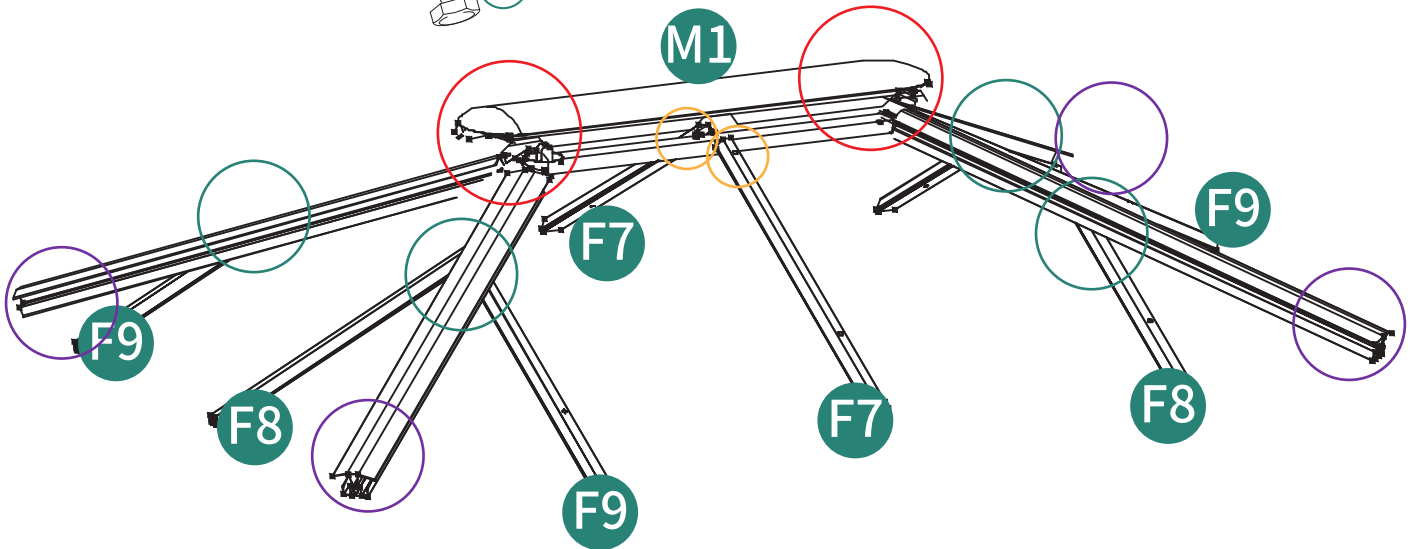
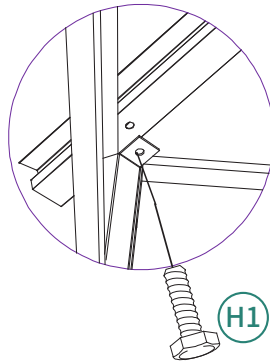
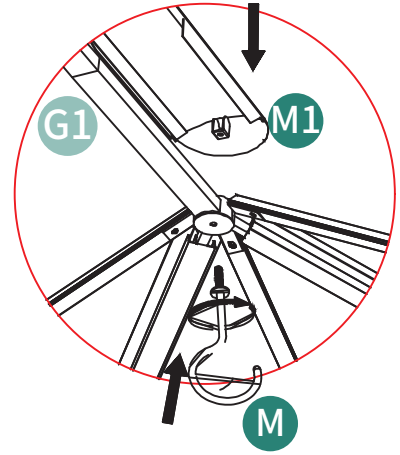
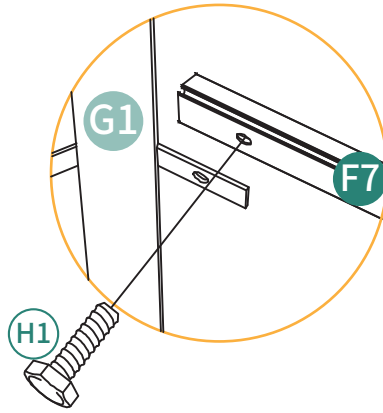
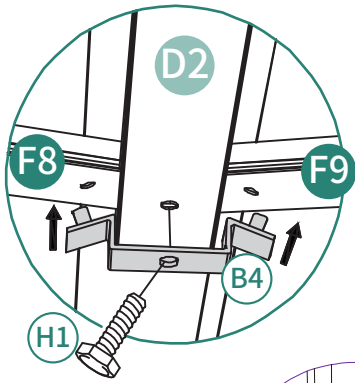


16





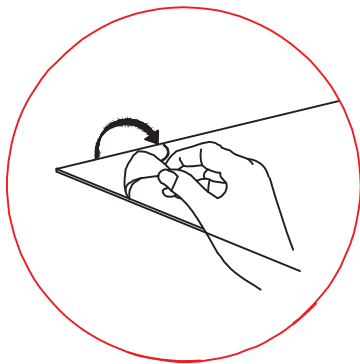
# 17

-  F7 2pcs
-  F8 4pcs
-  F9 4pcs
-  B4 4pcs
-  M1 1pc
-  M 2pcs
-  H1 10pcs

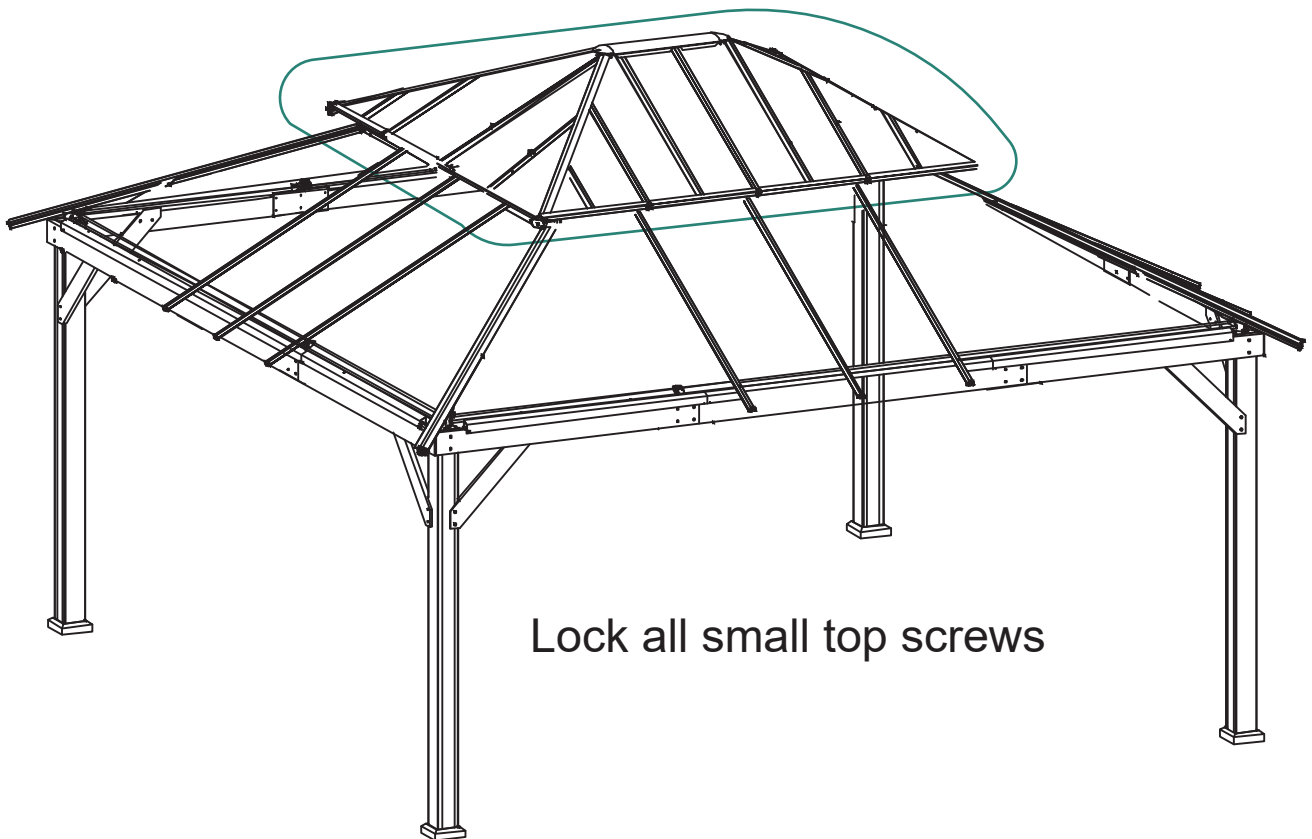
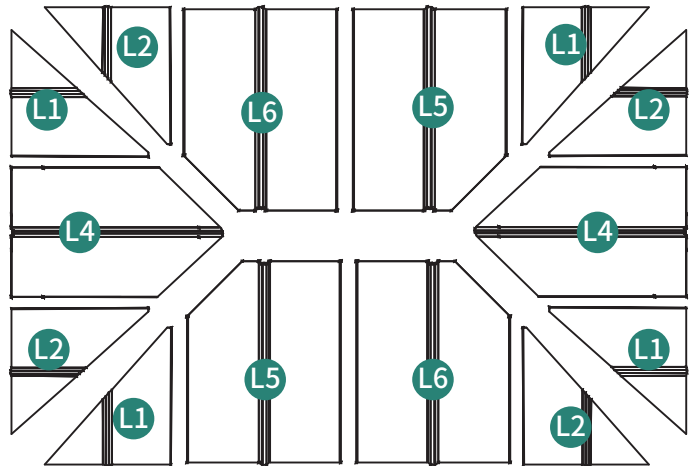


# 18

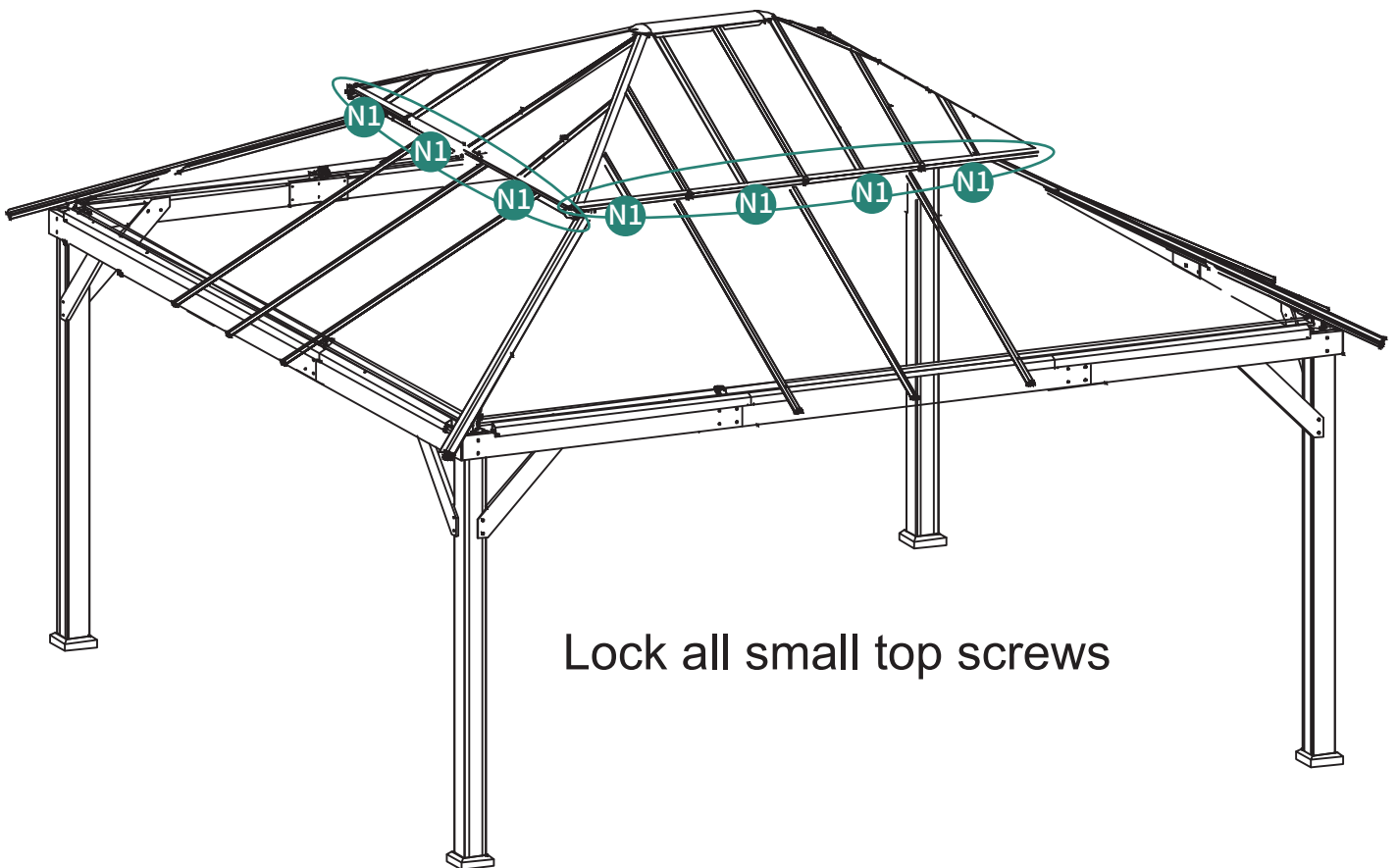
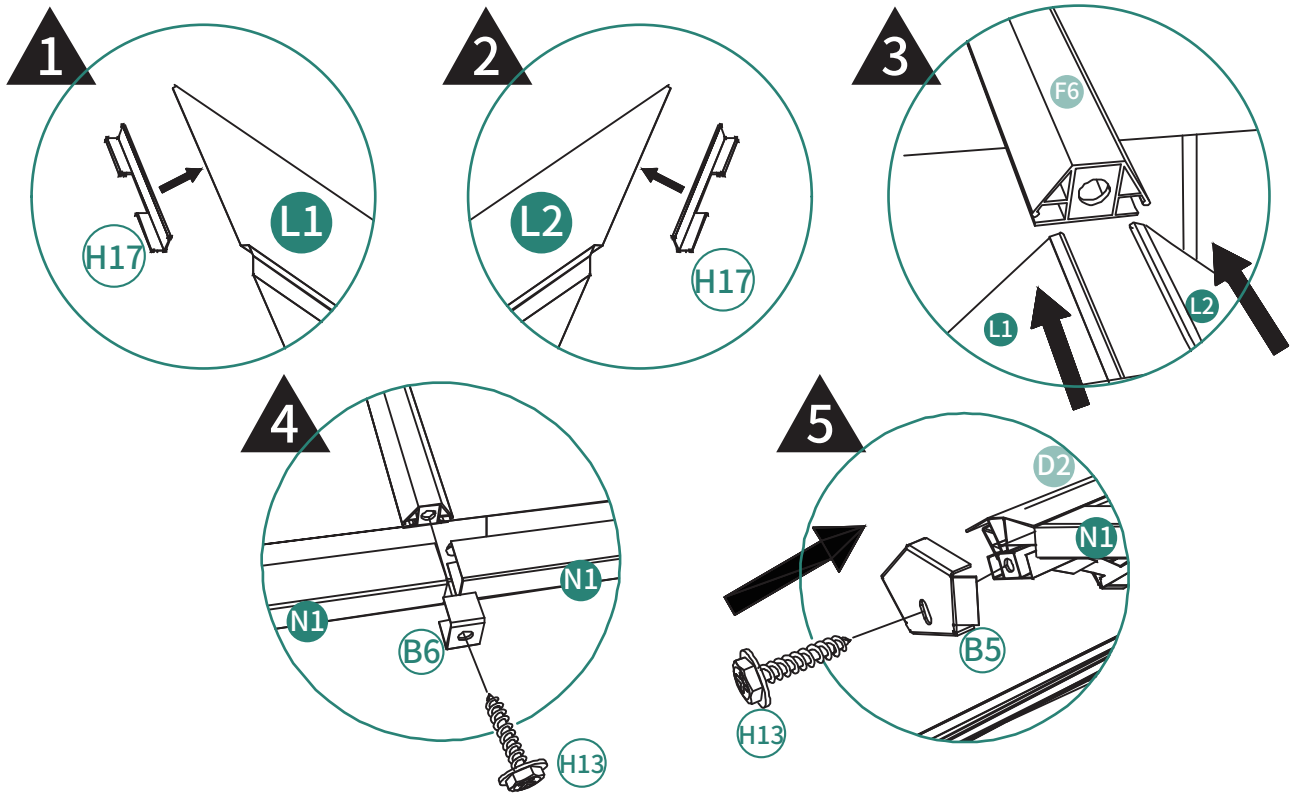
-  L1 4pcs
-  L2 4pcs
-  L4 2pcs
-  L5 2pcs
-  L6 2pcs
-  B5 10pcs
-  B6 6pcs
-  N1 14pcs
-  H13 14pcs
-  H17 8pcs



Before installing the cover sheet, the film on the upper and lower sides of the cover sheet should be torn off.

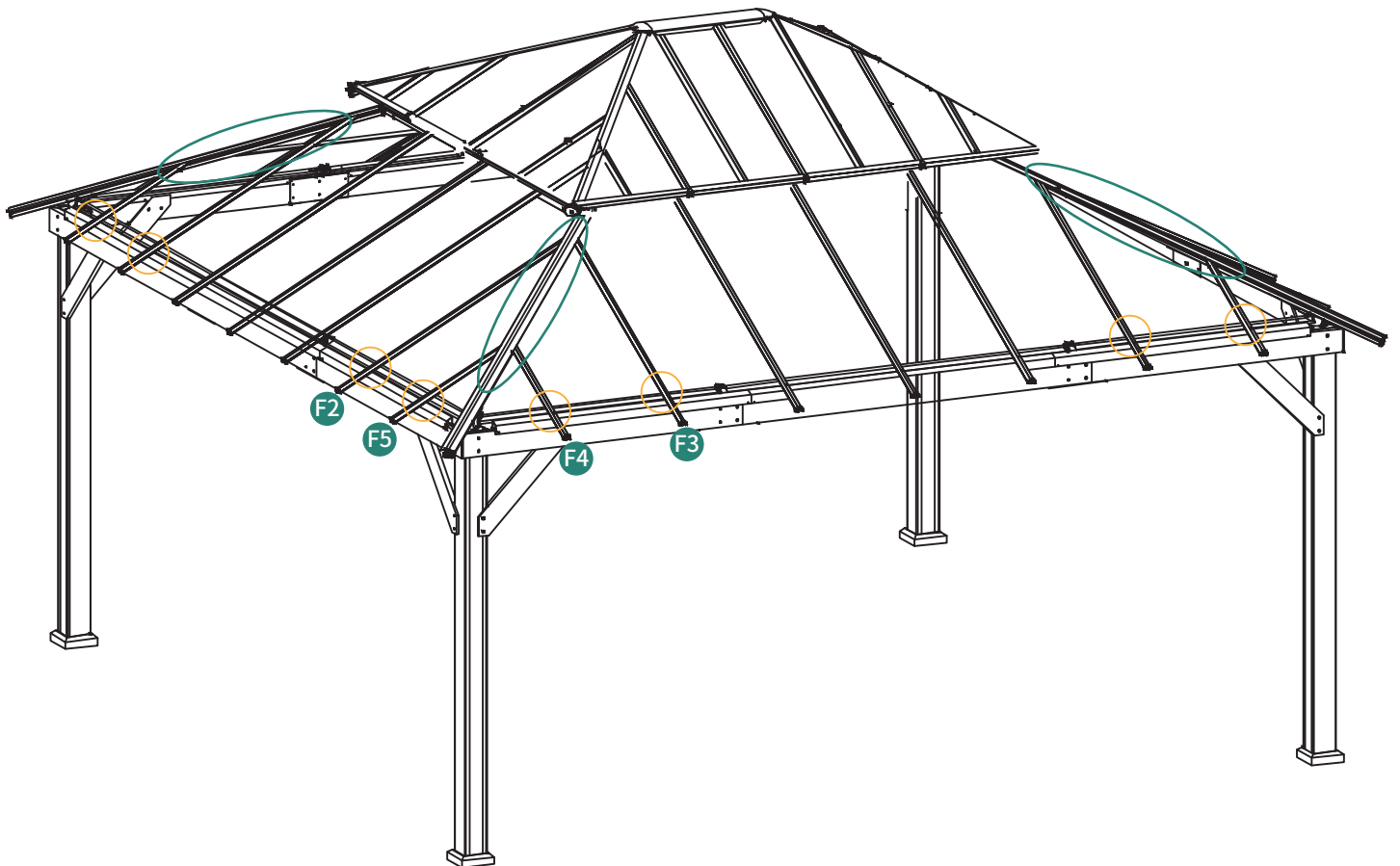
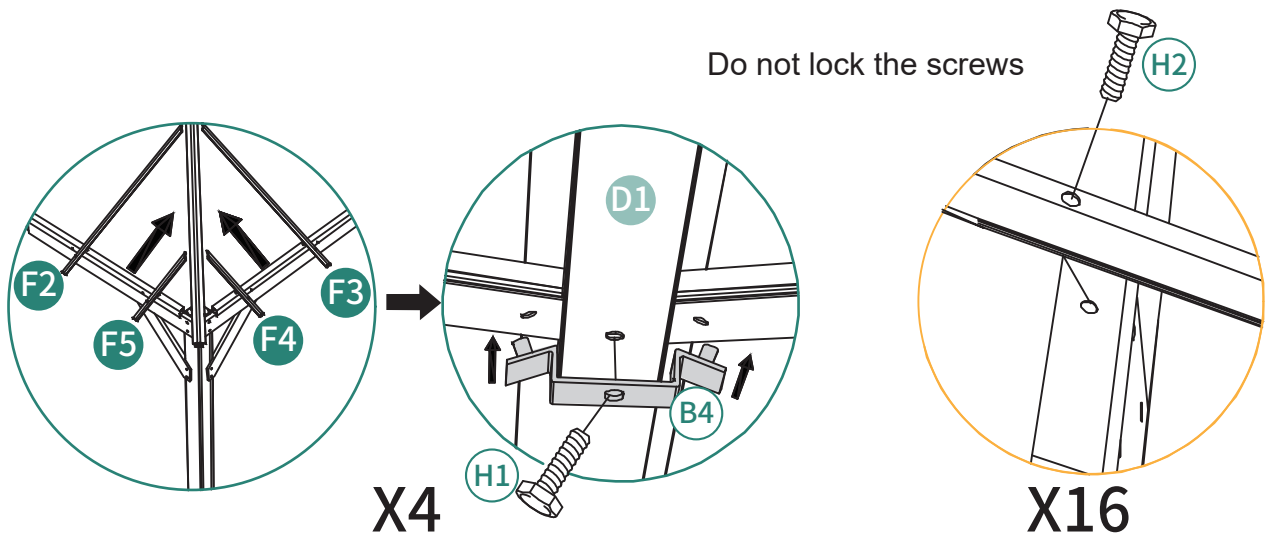
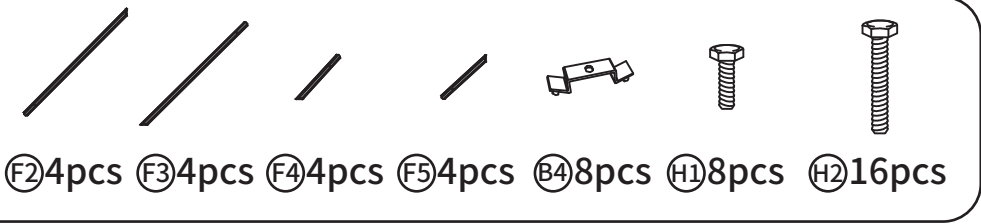


Lock all small top screws

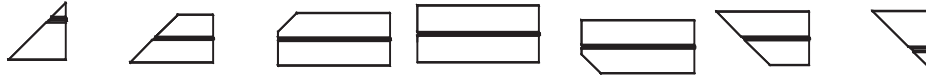


Lock all small top screws

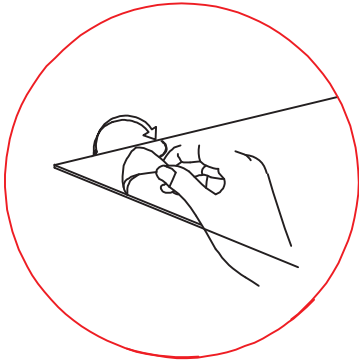
# 19



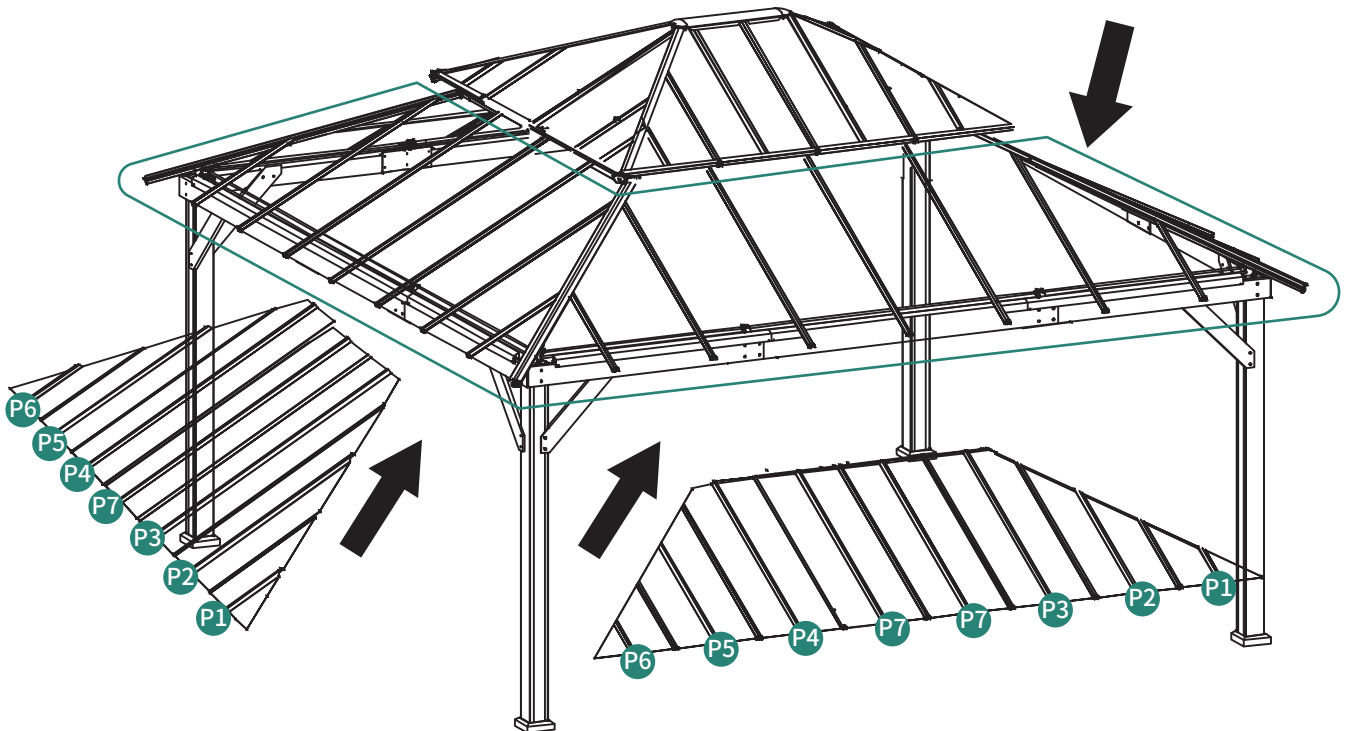
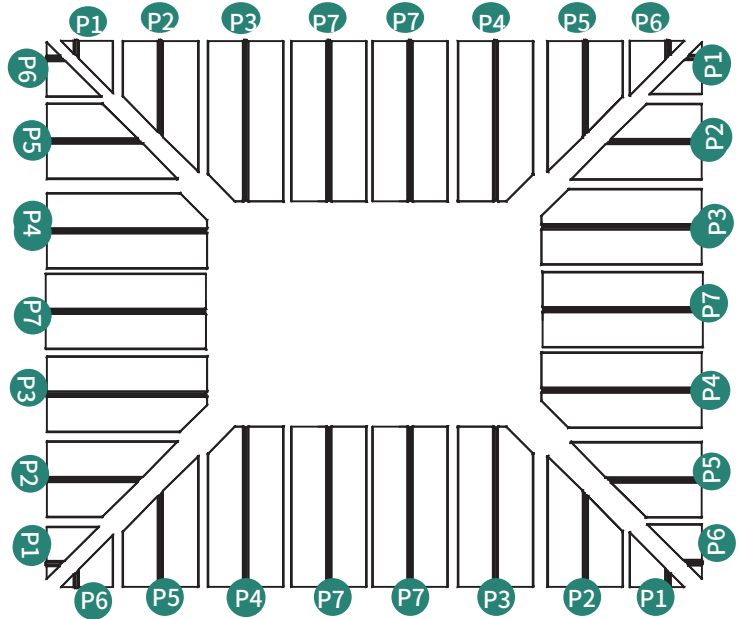
# 20



ⓅP1 4pcs ⓅP2 4pcs ⓅP3 4pcs ⓅP7 6pcs ⓅP4 4pcs ⓅP5 4pcs ⓅP6 2pcs


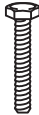


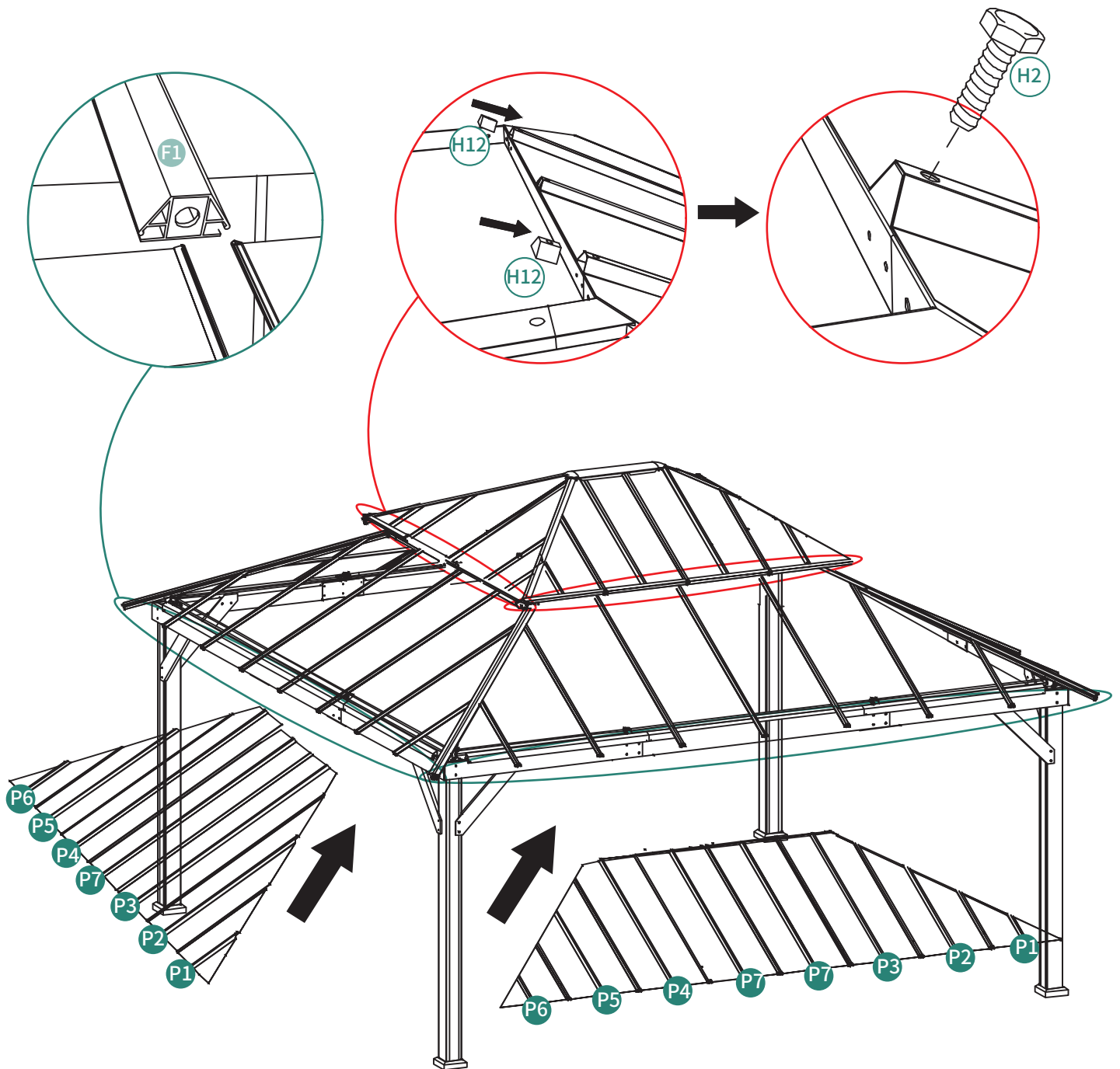
Before installing the cover sheet, the film on the upper and lower sides of the cover sheet should be torn off.



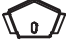



There are gloves in the cover box. wear gloves to ensure safety when installing the safety cover to ensure that every two pieces of the cover are installed, fix the two pieces with part B6 to prevent slipping of the cover. Remove the film on the upper and lower sides of the cover before installing the cover.

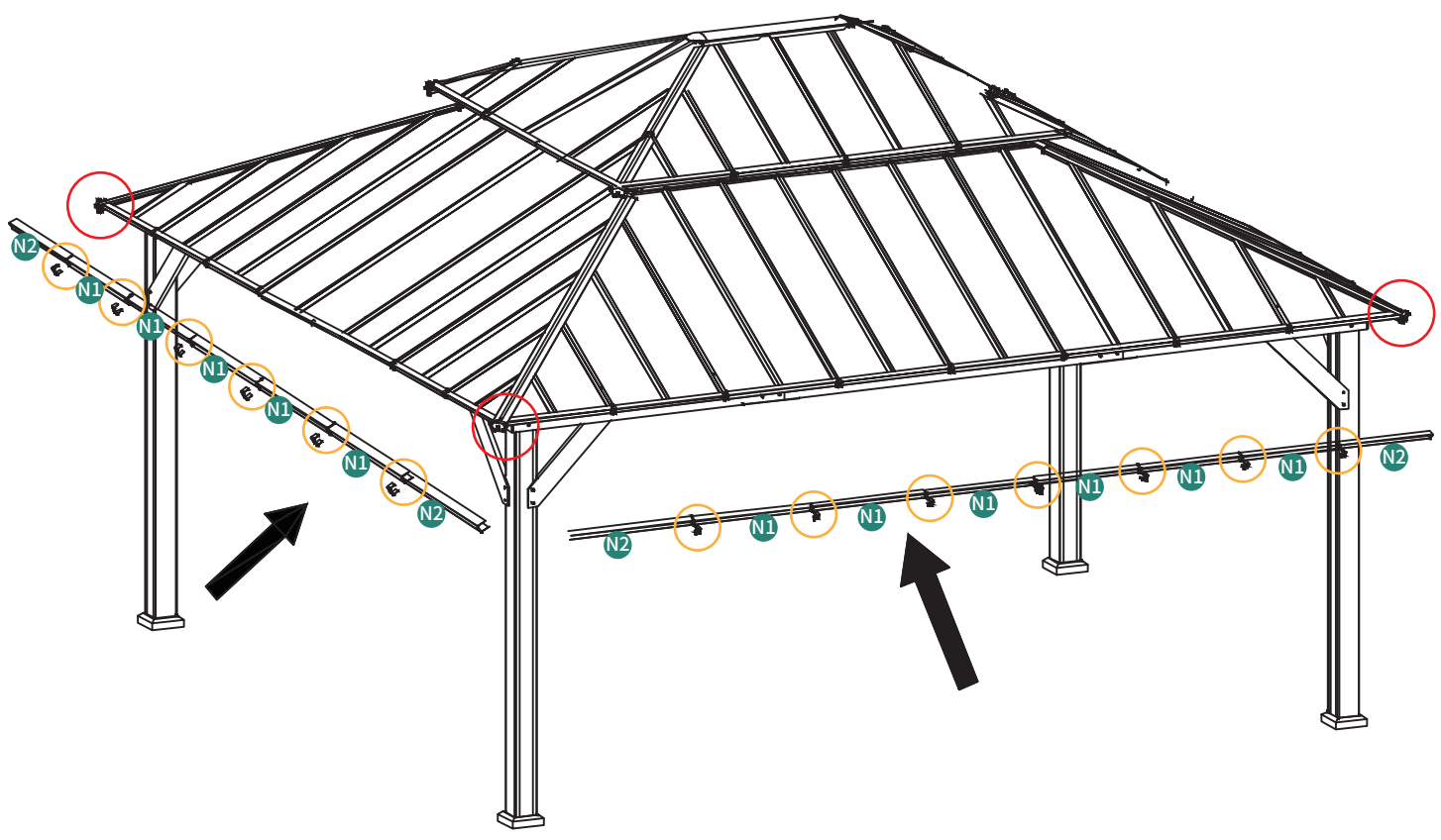
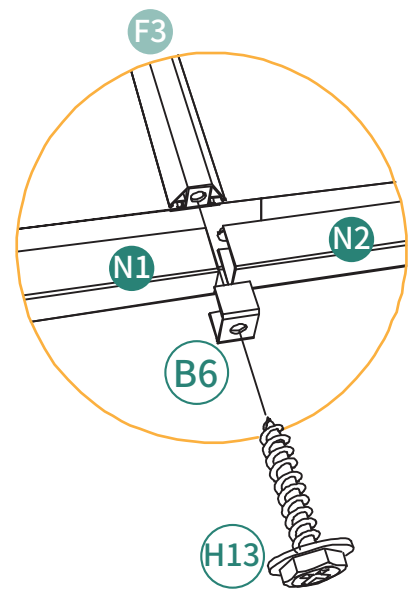
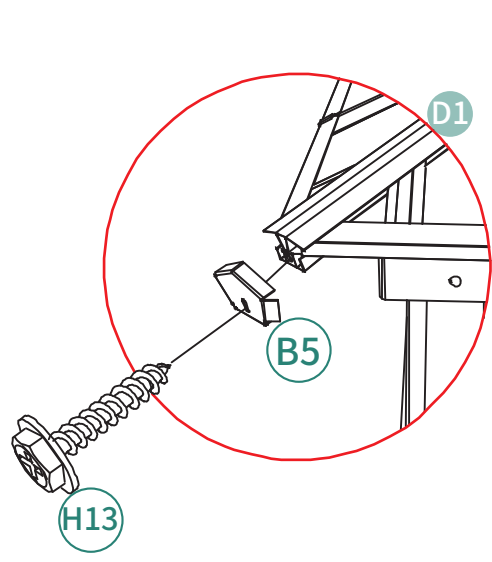
# 21

   
H1 14pcs H2 14pcs



# 22

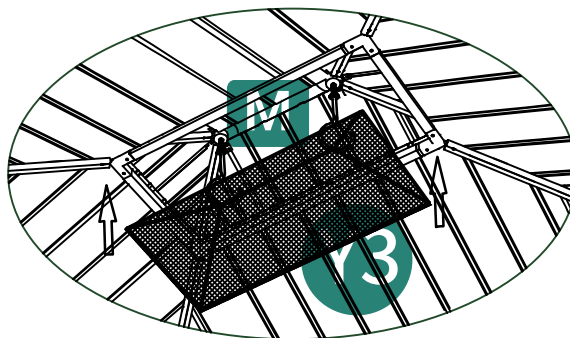
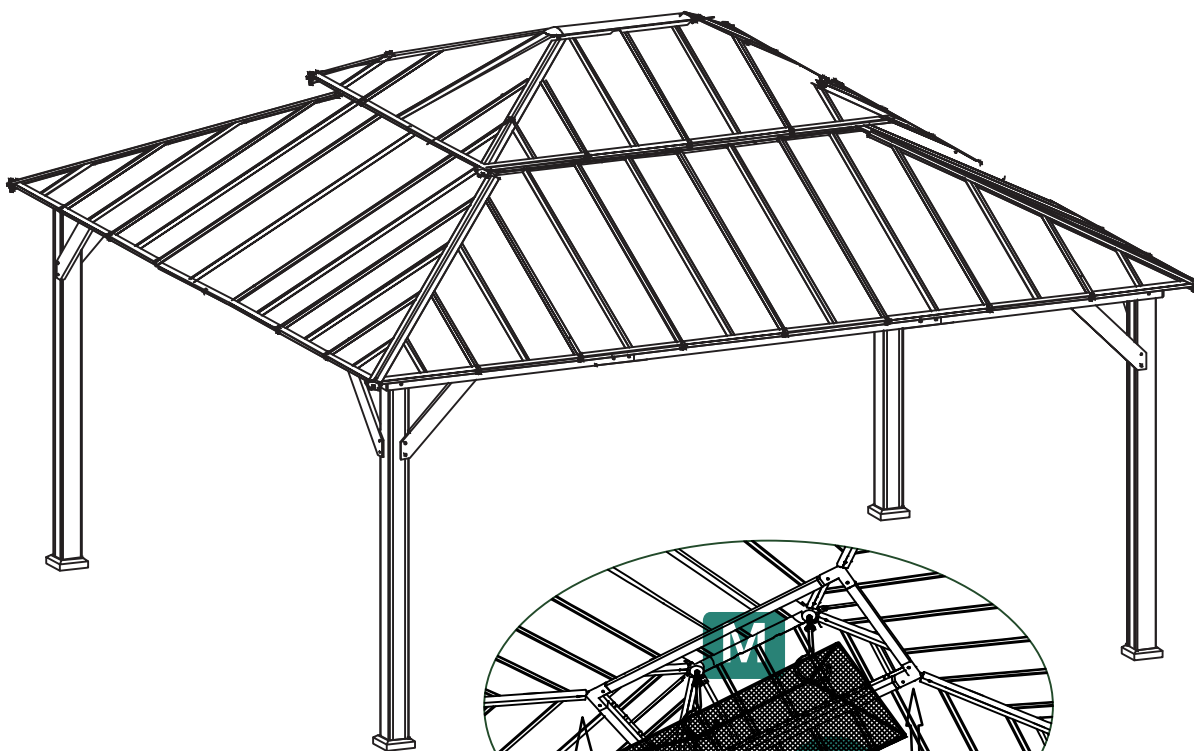
-  **B5** 4pcs
-  **B6** 26pcs
-  **N1** 22pcs
-  **N2** 8pcs
-  **H13** 30pcs



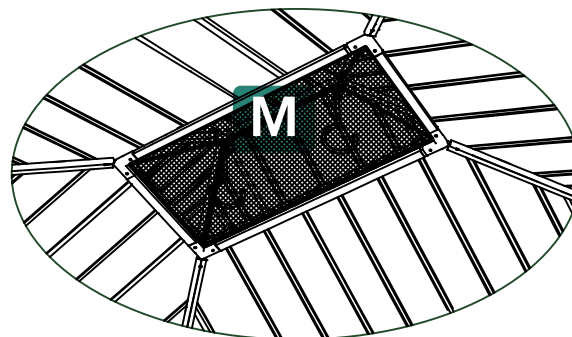
23



(Y3) 1pc



Attach the mesh to the velcro fasteners around the perimeter, and hang the holes on the mesh over the hooks.



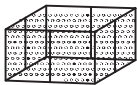
24



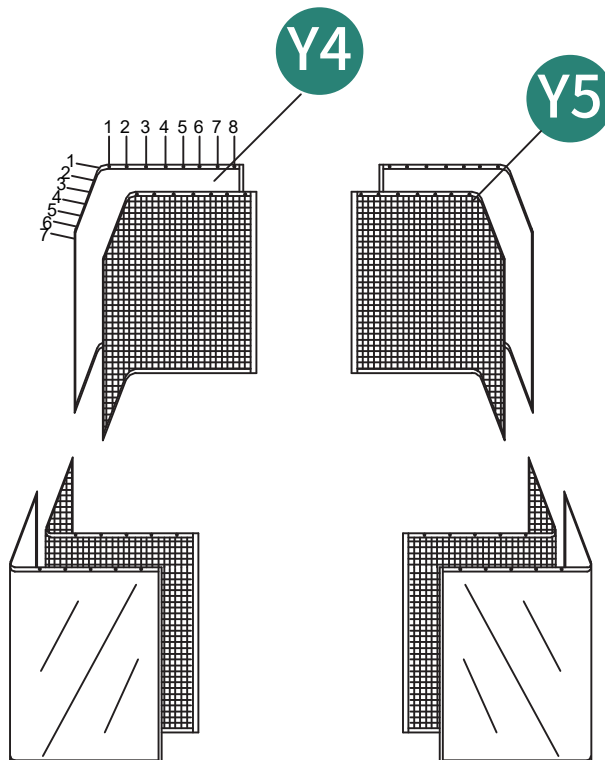
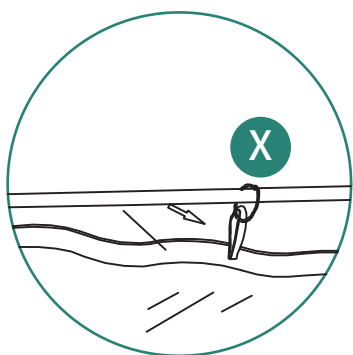
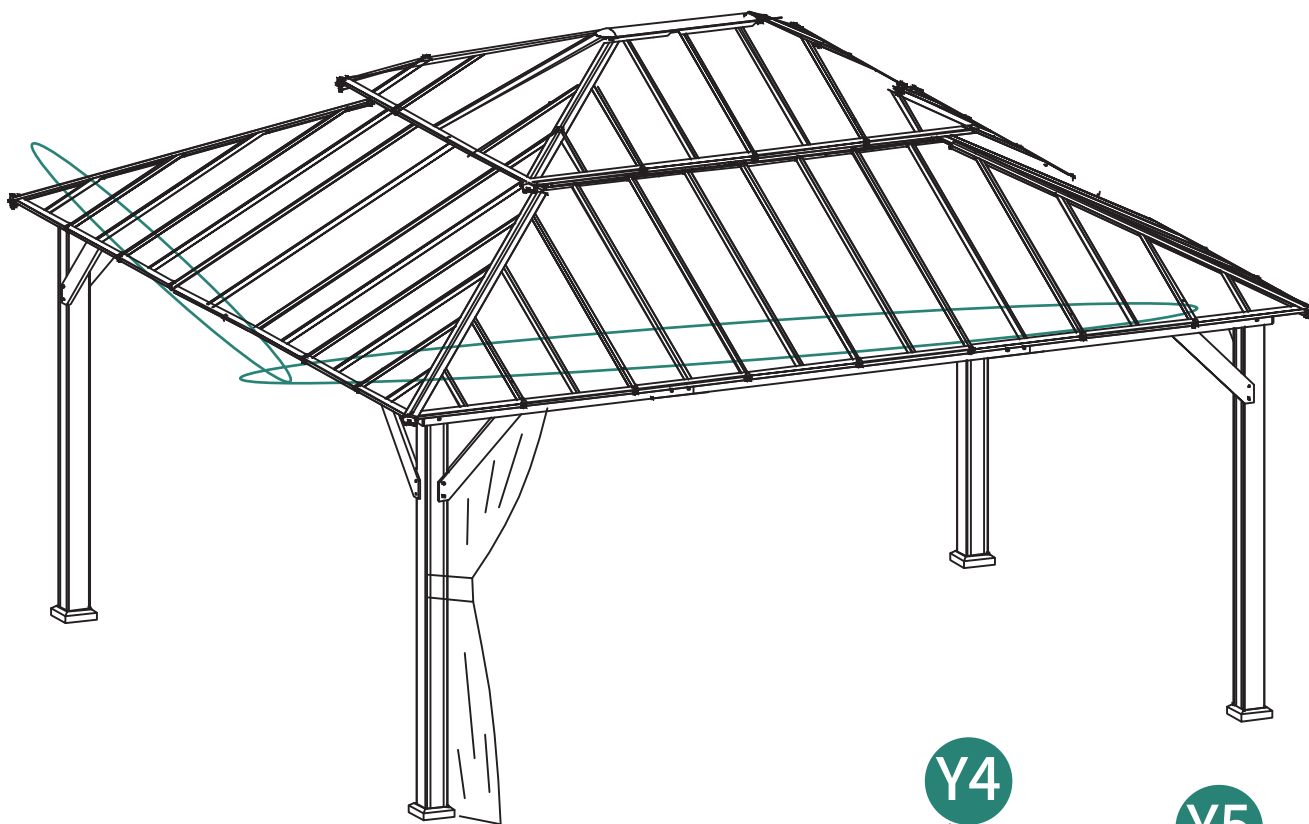
ⓧ 120pcs



Ⓨ4 1pc



Ⓨ5 1pc



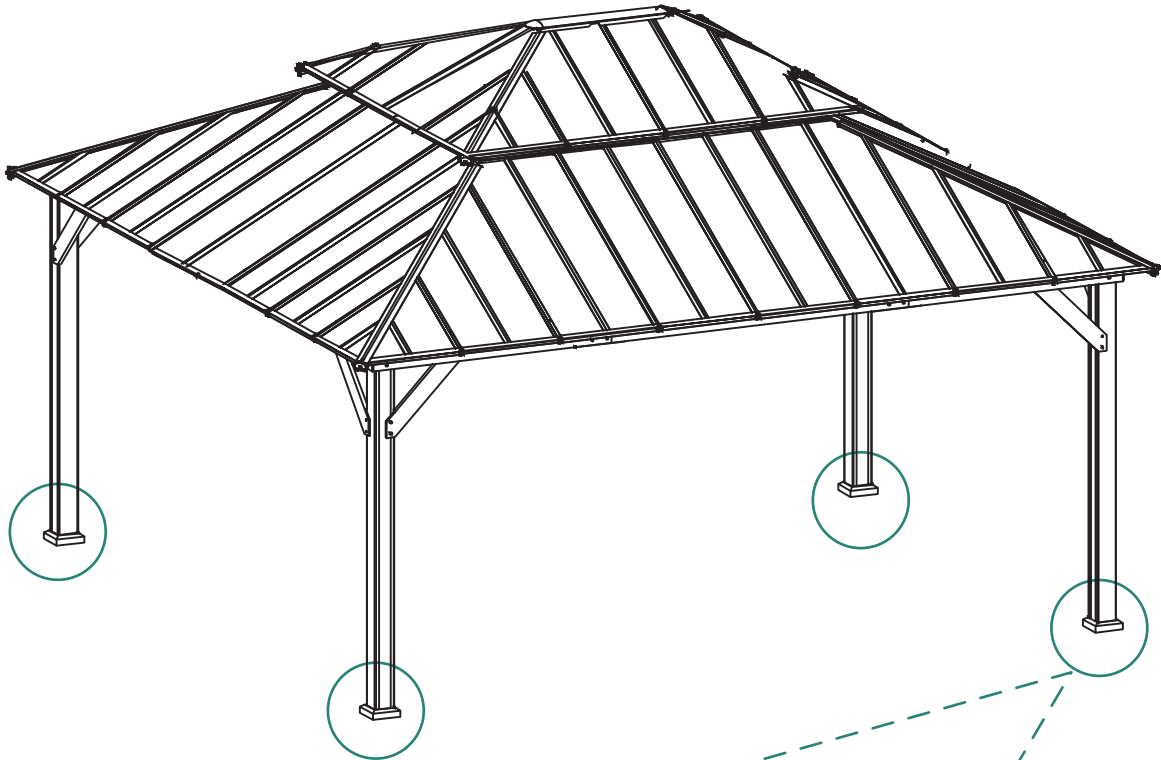
# 25



HS 8pcs



H16 8pcs



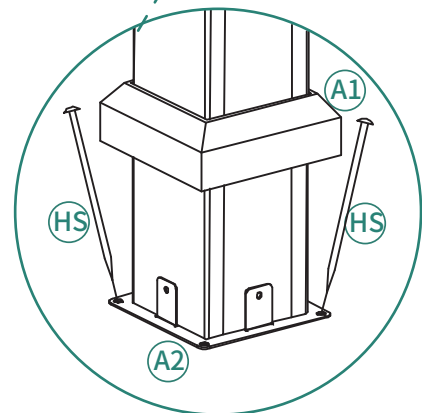
**1** Drill holes

**2** H16 Insert expansion bolts

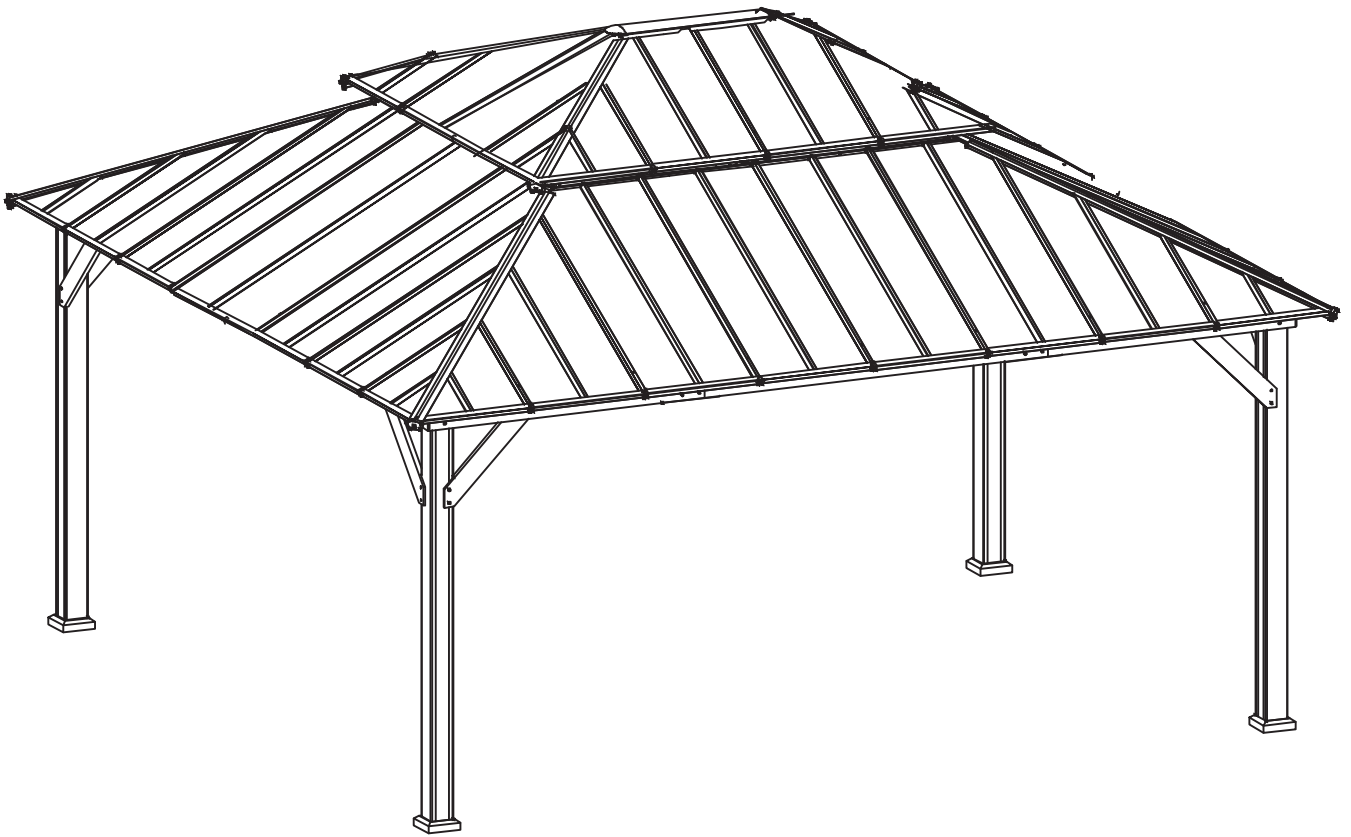
**3** H16 Align the leg tubes with the anchor holes and place them in position.

**4** Put on the spacer and nut, then tighten the nut to secure

Hard Ground



# 26



Installation Completed

Installation Abgeschlossen

Installation Complétée

Installazione Completata

Instalación Completada

# HELP CENTER



Inquiry



Assembly issue



Missing parts

If you encounter any difficulties during assembly, please contact us.

Wenn Sie während der Montage auf Schwierigkeiten stoßen, kontaktieren Sie uns bitte.

Si vous rencontrez des difficultés lors du montage, veuillez nous contacter.

Se incontri difficoltà durante il montaggio, ti preghiamo di contattarci.

Si encuentras alguna dificultad durante el ensamblaje, por favor contáctanos.

# DISCLAIMER

Manufacturer and seller expressly disclaim any and all liability for personal injury, property damage or loss, whether direct, indirect, or incidental, resulting from the incorrect attachment, improper use, inadequate maintenance, unapproved modification, or neglect of this product.

Der Hersteller und Verkäufer lehnen ausdrücklich jegliche Haftung für Personenschäden, Sachschäden oder Verluste ab, egal ob direkt, indirekt oder zufällig, die durch falsche Anbringung, unsachgemäßen Gebrauch, unzureichende Wartung, nicht genehmigte Änderungen oder Vernachlässigung dieses Produkts entstehen.

El fabricante y vendedor renuncian expresamente a toda responsabilidad por lesiones personales, daños materiales o pérdidas, ya sean directos, indirectos o incidentales, derivados de la incorrecta colocación, uso inadecuado, mantenimiento insuficiente, modificación no aprobada o negligencia de este producto.

Il produttore e il venditore declinano espressamente ogni responsabilità per lesioni personali, danni materiali o perdite, dirette, indirette o incidentali, derivanti dall'errato fissaggio, uso improprio, manutenzione inadeguata, modifica non autorizzata o negligenza di questo prodotto. Le fabricant et le vendeur déclinent expressément toute responsabilité en cas de blessures corporelles, de dommages matériels ou de pertes, qu'ils soient directs, indirects ou accessoires, résultant de la fixation incorrecte, de l'utilisation inappropriée, de l'entretien insuffisant, de la modification non approuvée ou de la négligence de ce produit.