

ASSEMBLY INSTRUCTIONS



Fine Furniture for every stage of life

Motion Sofa

ASSEMBLY INSTRUCTIONS

ASSEMBLY TIPS:

1. Remove hardware from box and sort by size.
2. Please check to see that all hardware and parts are present prior to start of assembly.
3. Please follow attached instructions in the same sequence as numbered to assure fast & easy assembly.



WARNING!

1. Don't attempt to repair or modify parts that are broken or defective. Please contact the store immediately.
2. This product is for home use only and not intended for commercial establishments.



ASSEMBLY TIME

5 MINUTES

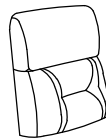
PARTS IDENTIFICATION

A LEFT BACK



1PC

B MIDDLE BACK



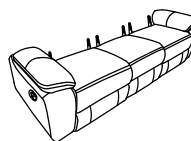
1PC

C RIGHT BACK



1PC

D BASE



1PC

E LEFT EAR



1PC

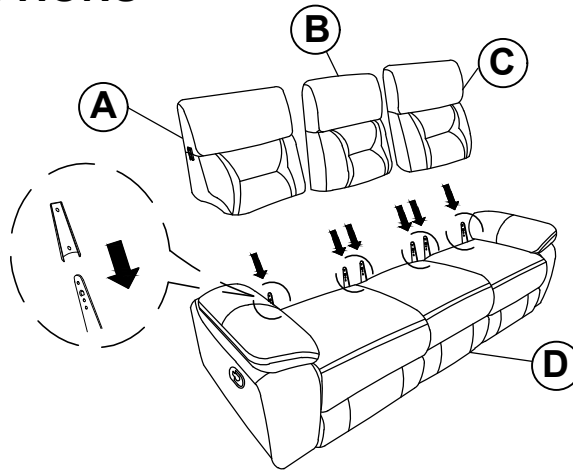
F RIGHT EAR



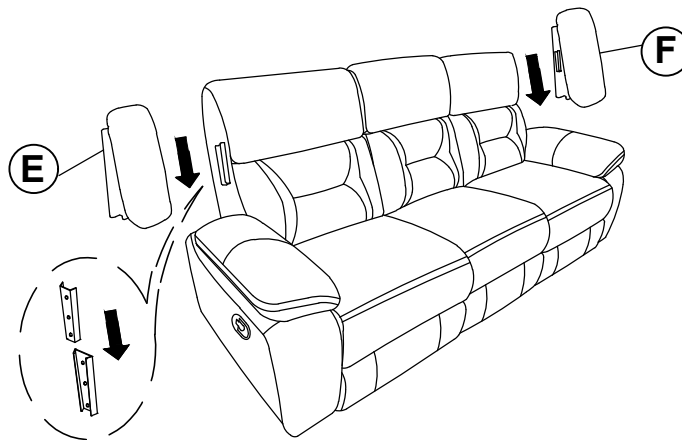
1PC

ASSEMBLY INSTRUCTIONS

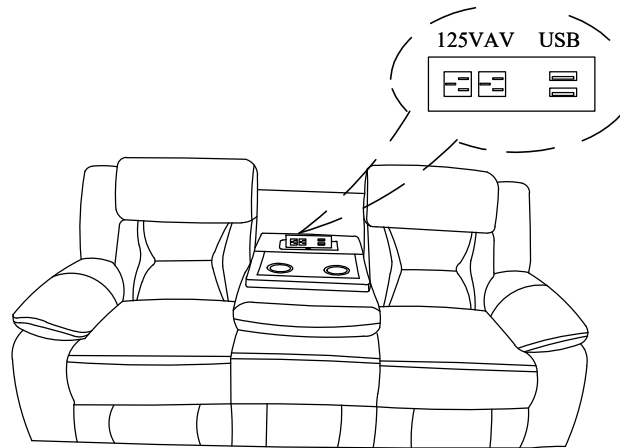
STEP 1



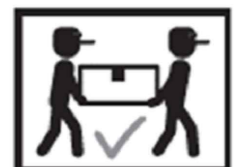
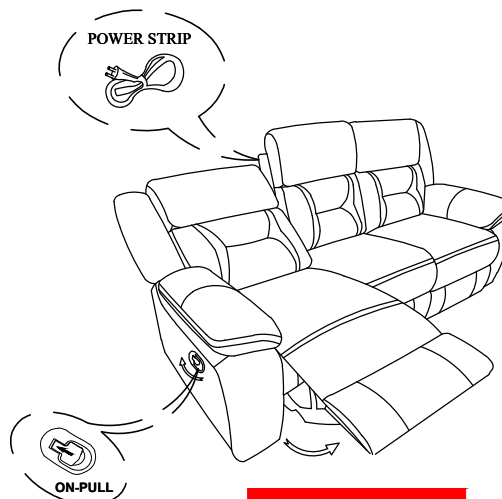
STEP 2

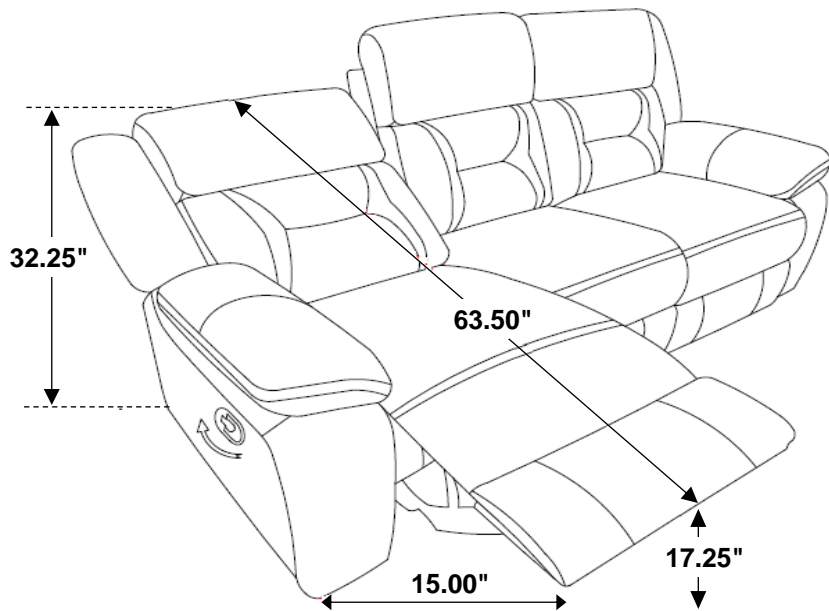
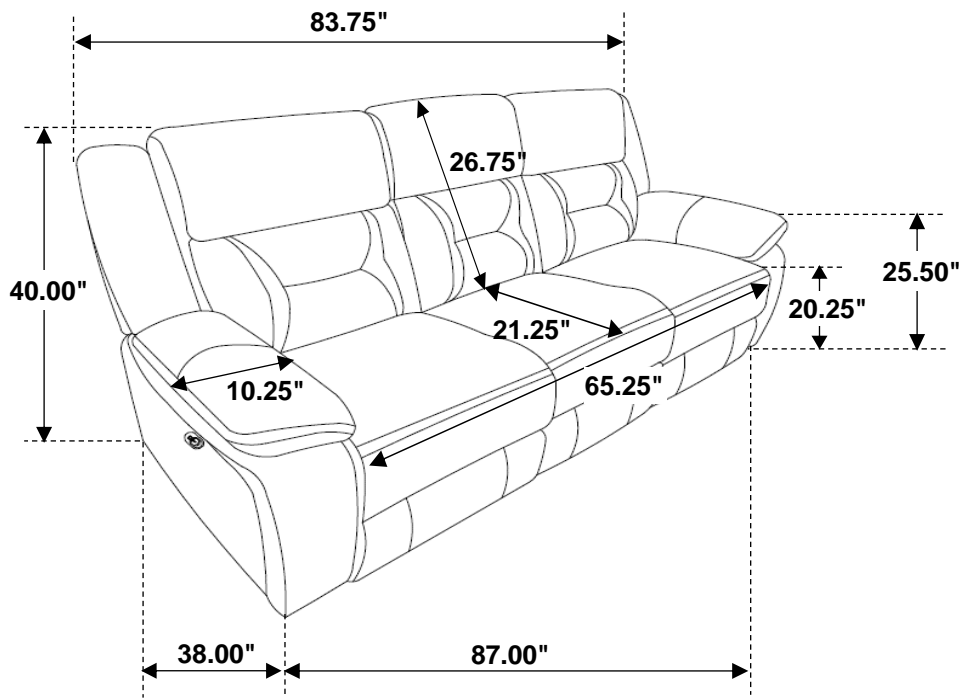


STEP 3



STEP 4 **COMPLETE**





Note: Dimension tolerance $\pm 5\%$