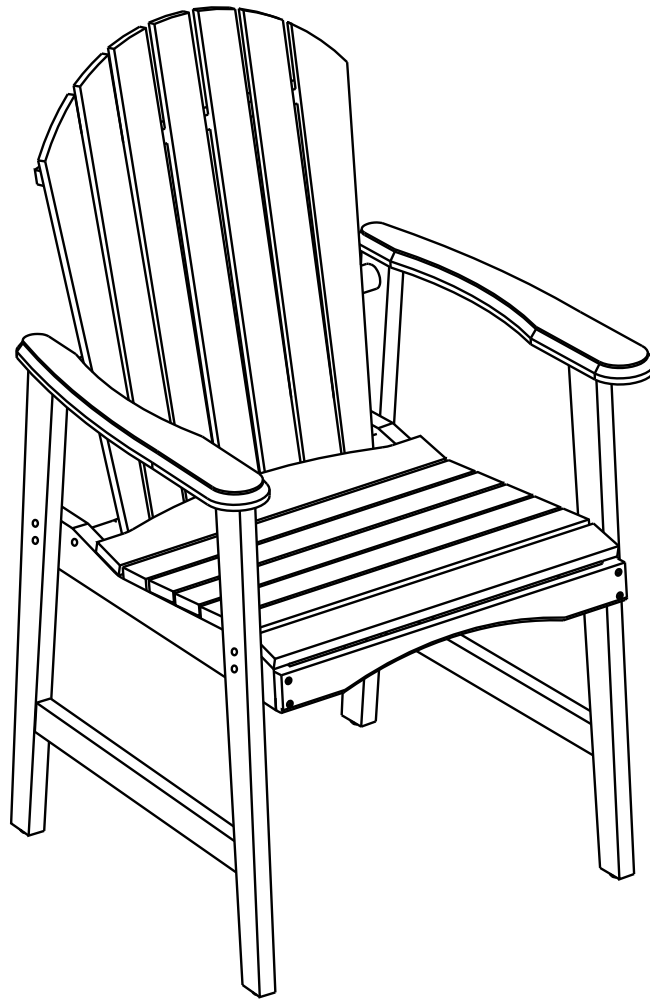


# Assembly Instruction

**Caution : You must read this before you proceed**

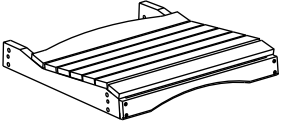
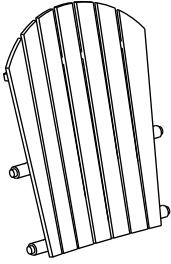
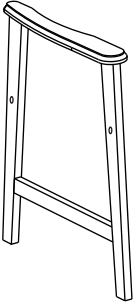

## Chair



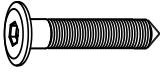
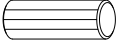

**CAUTION** :This Chair is NOT a TOY.

Keep your child / children at bay during the assembly process. For moving the Chair and to prevent damage to the Chair, two adults are needed to execute this action.

# Parts List

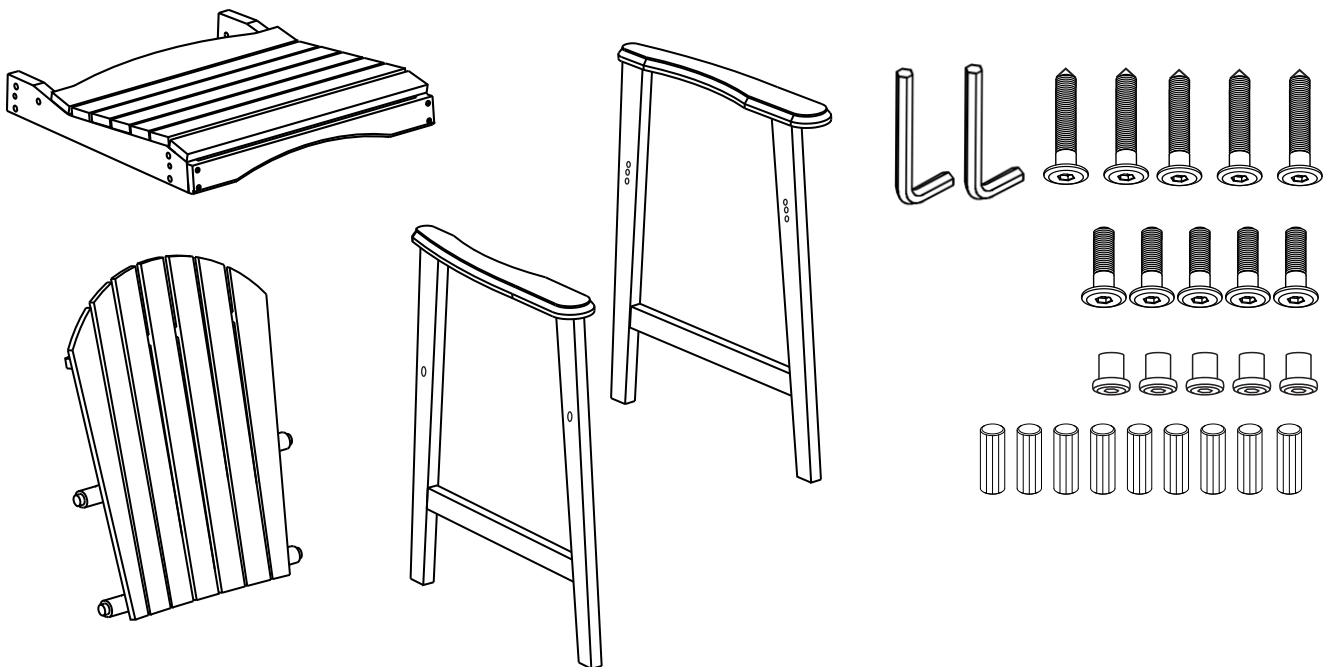
Label	Picture	Description	QTY
A		Seat Panel	1
B		Backrest Panel	1
C		Left Leg Panel	1
D		Right Leg Panel	1

# Hardware

Label	Picture	Description	QTY
①		Screw (M7x50mm)	5
②		Bolt (M8 x 30mm)	5
③		Sleeve Nut (M8x15mm)	5
④		Wooden (φ10x25mm)	9
⑤		Allen key	2

## Assembly Preparation

Before Beginning Assembly:



- Read instructions, cover to cover-



- Have 2 adults on hand for assembly-



- Do not assemble on flooring or carpet-



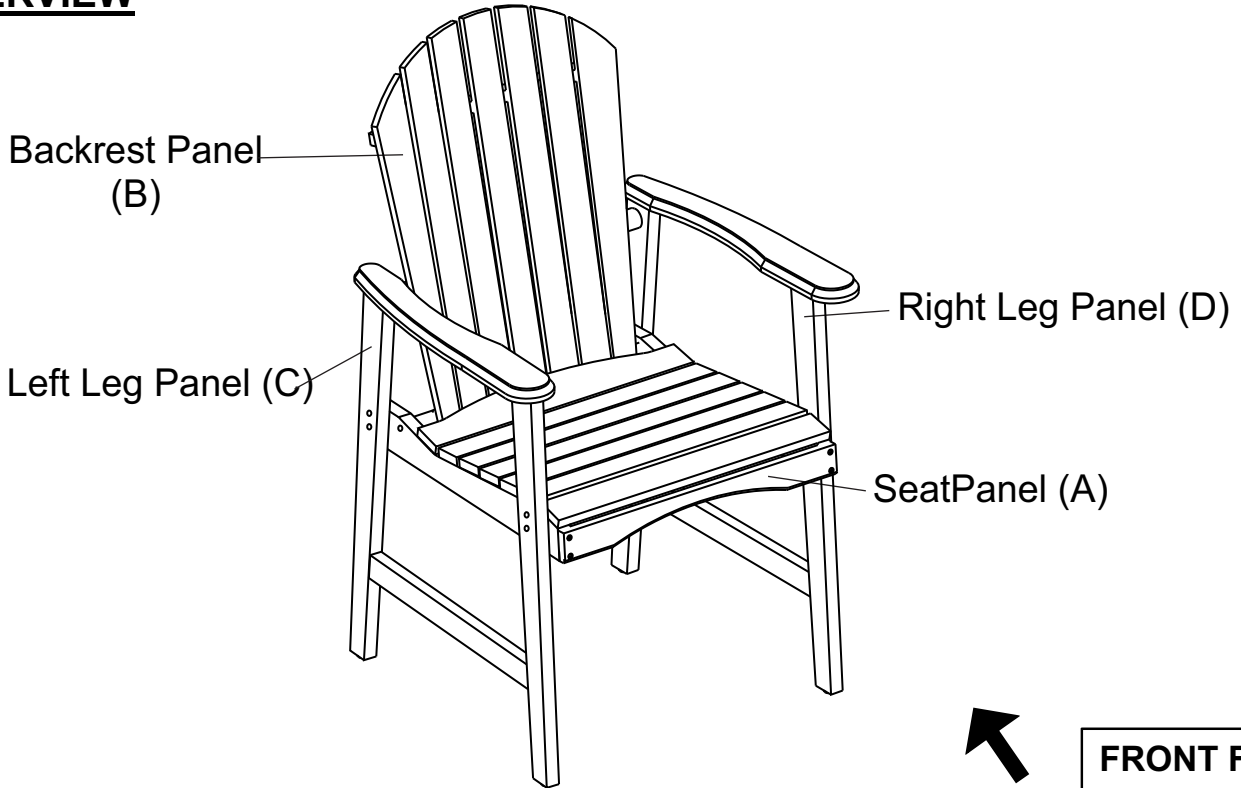
- Assemble on a clean non-marring surface (packing foam)-



- Save all packaging until finished-

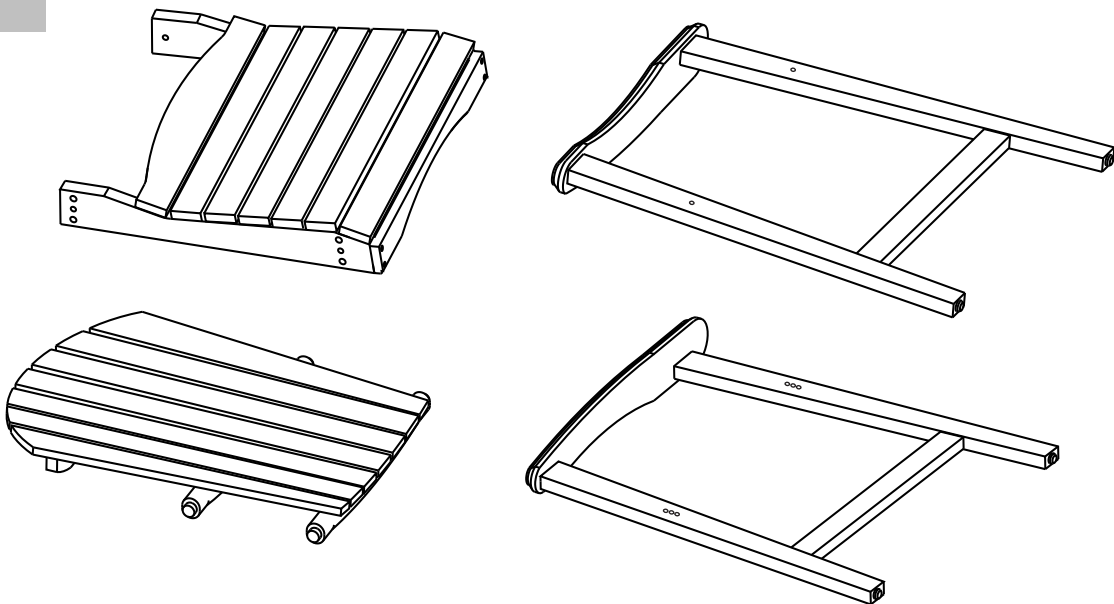
# Assembly Steps

## OVERVIEW



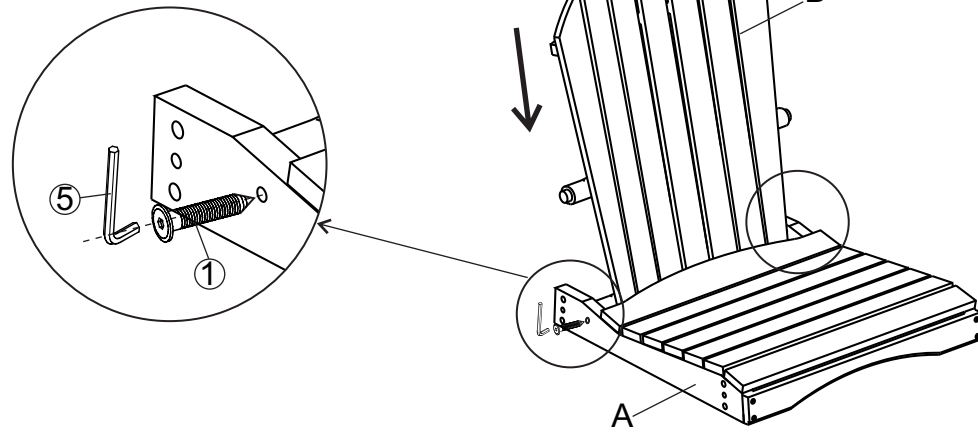
This Chair has multiple parts and may require up to 30 minutes to assemble. To give you an overview of the Chair parts, the above picture is to help you put the various parts into perspective. Please read through the instructions below to familiarise yourself with the parts and steps before assembly.

## Step 1



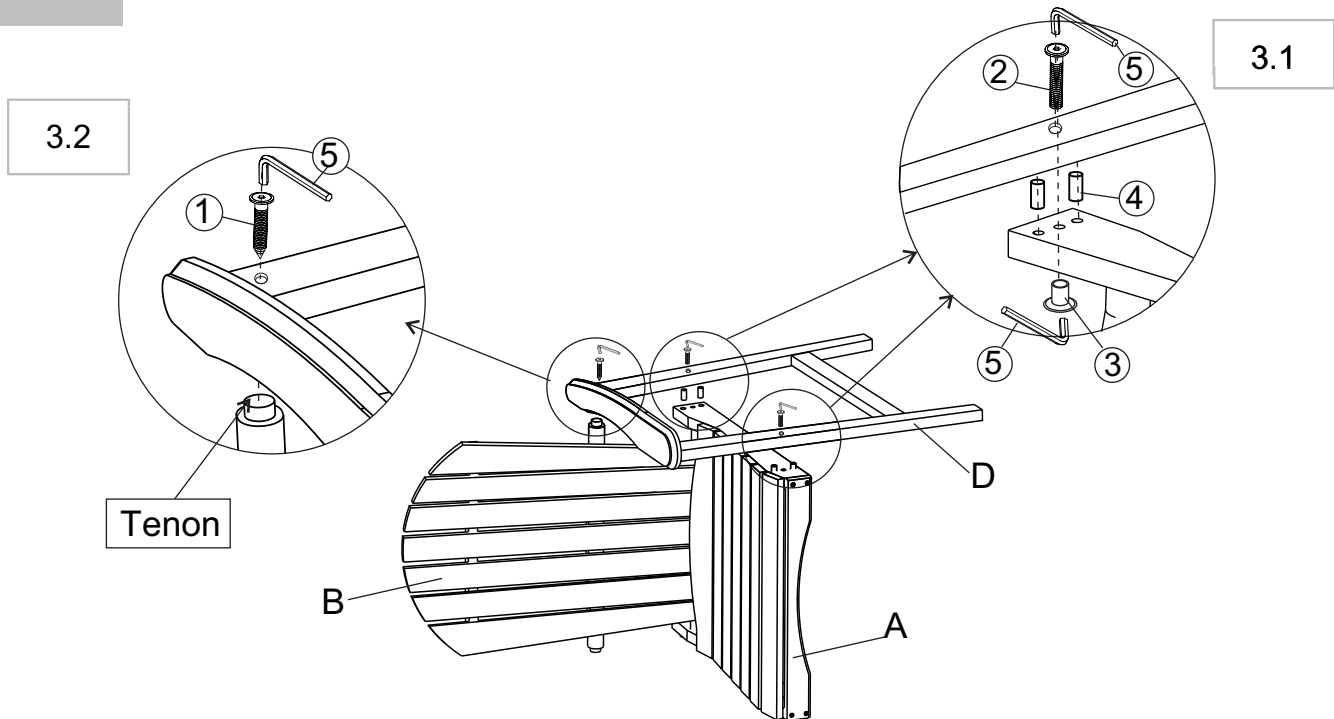
Unpack and place all parts on a clean, non-marring surface.

## Step 2



Attach Backrest Panel(B) to Seat Panel(A) using Screws(①) with Allen Key(⑤) as shown above.  
**Do not fully tighten Screws.**

## Step 3



With assistance from your adult partners, turn pre-assemble part in Step 2 to lay on its side.

3.1) By hand, attach Wooden Dowel (④) to Seat Panel (A).

Then, position mortise of Right Leg Panel (D) to the Wooden Dowel (④) of Seat Panel (A) and Tenon of Backrest Panel (B) as pictured above.

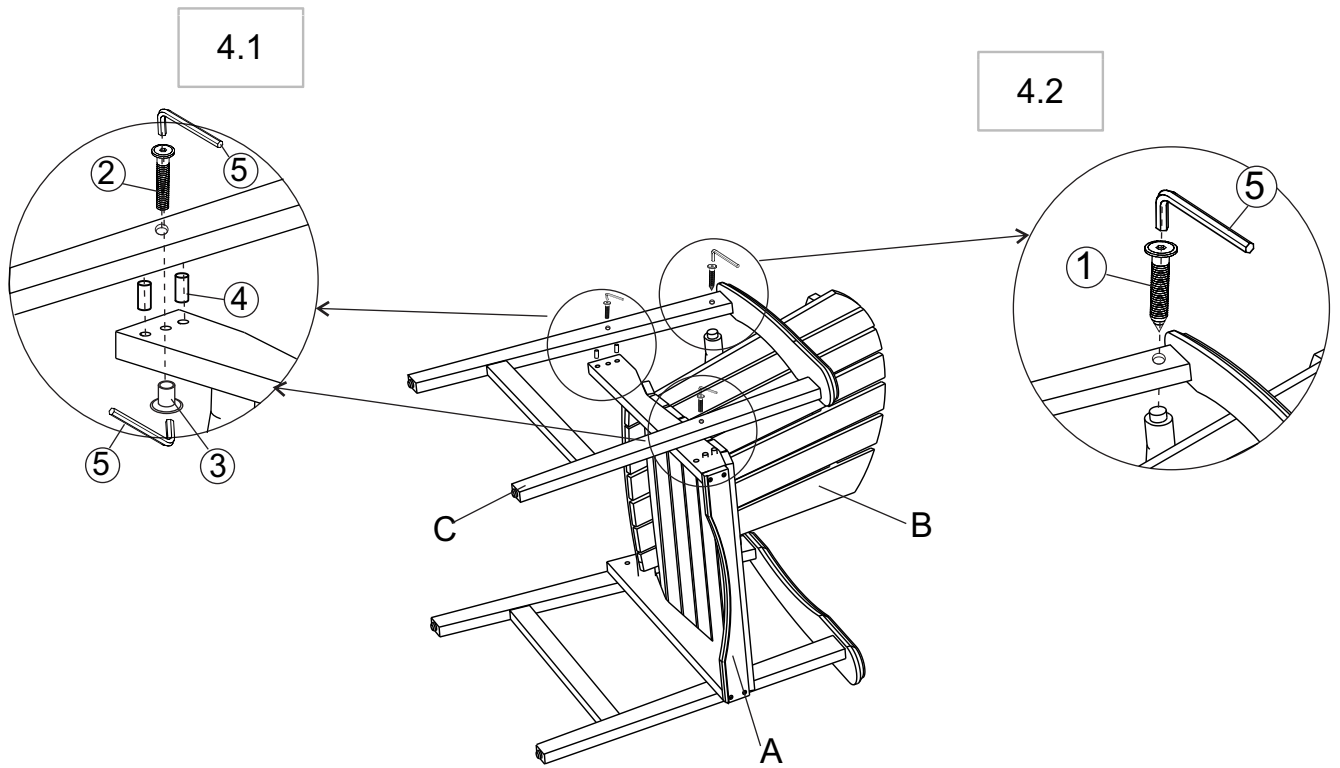
Secure Right Leg Panel (D) to Seat Panel (A) using Bolt (②), Sleeve Nut (③) and Allen Key (⑤).

Note: Bolt is in the middle of 2 Wooden Dowels (④).

3.2) Secure Right Leg Panel (D) to Backrest Panel (B) using Screw (①) and Allen Key (⑤).

**Do not fully tighten Screw and Bolts.**

## Step 4

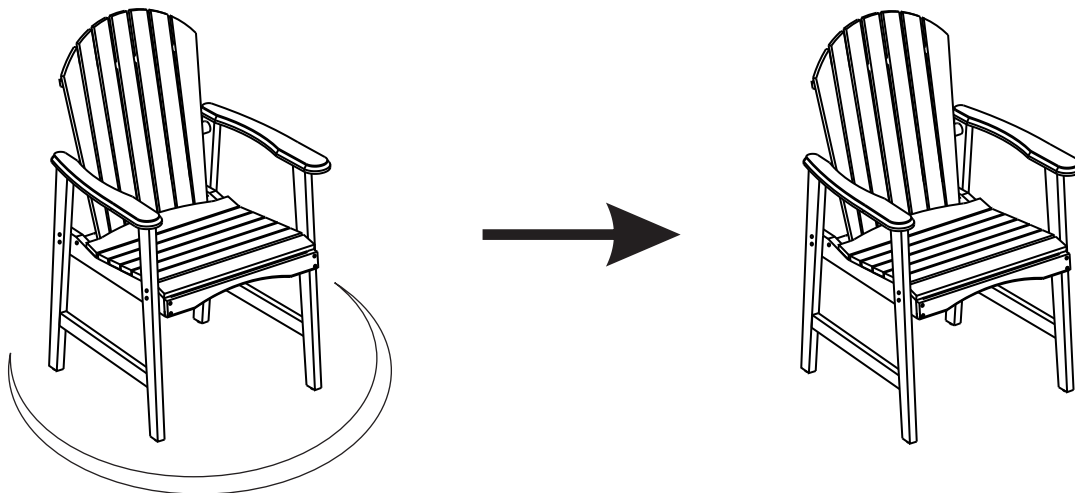


With assistance from your adult partners, turn pre-assemble part in Step 3 to another side.

Repeat the same process of step 3 to attach Left Leg Panel (C) to Seat Panel (A) and Backrest Panel (B).

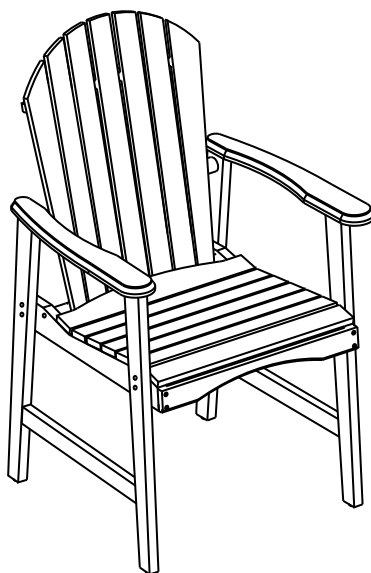
**Do not fully tighten Screw and Bolts.**

## Step 5












Stand the Chair up, with assistance from your adult partner. Exert pressure floorwards, onto the Chair with both your hands. This pressure will help the Legs and Chair reach full alignment status. Check for wobbles on a LEVEL surface. If no wobbles are found proceed to tighten Bolts and Screws in a sequential manner, until evenly secured. When tightening Bolts and Screws tighten sequentially. **Do not tighten any Bolt and Screw fully and then move on towards the next one.** If there are still wobbles, loosen Bolts and Screws and execute the same above process.

## Step 6



Your Chair is ready for use.  
**This Chair can only be used on a flat, level surface.**

## Care & Maintenance

-  ● Do not put hot items directly on furniture surface
  -  ● Do not clean furniture with harsh cleansers or polish.
  -  ● To obtain the longest lifespan of your outdoor products, minimizing exposure to direct sunlight is recommended.
  -  ● Children should not climb or jump on the furniture.
  -  ● Do not write on furniture without a padded barrier to protect the surface.
  -  ● To obtain the longest lifespan of your outdoor products, avoid extended and lengthy exposure to rain, snow, and direct sunshine. Whenever possible cover the product and /or place under patio or awnings.
  -  ● Not for commercial use. For residential use only .
  -  ● Stains may be removed with mild soap solution and damp cloth.
- 
-  ● Dust and pick-up spills using a clean, non-colored, lint-free cloth .