

**IMPORTANT**

We strongly suggest setting up your new tent before going camping to insure that all parts are present and to familiarize yourself with the tents assembly. This will have a great effect on how well you enjoy your camping trip.

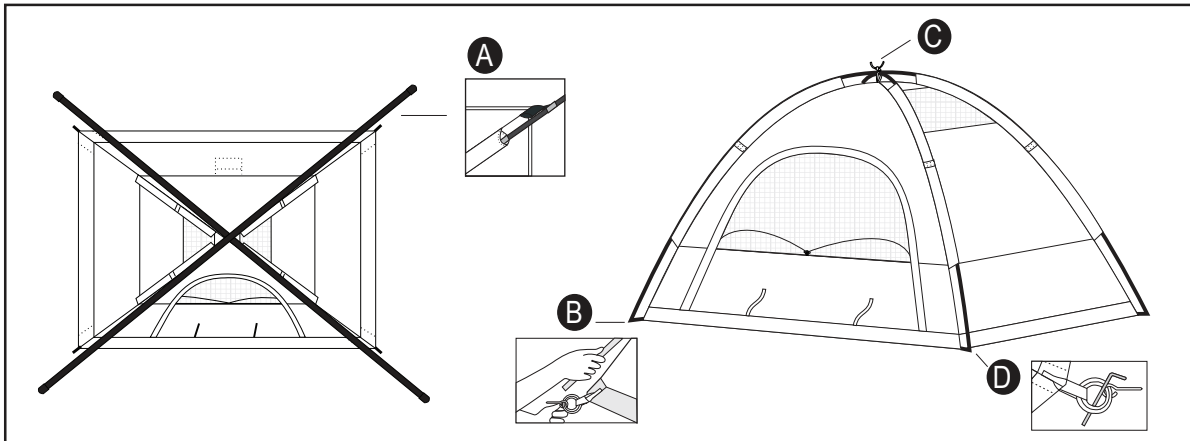


**ASSEMBLY INSTRUCTIONS**

To prolong the life of your tent floor we suggest using a ground cloth cut slightly smaller than the floor of your tent and that you select a clean level area for your campsite.

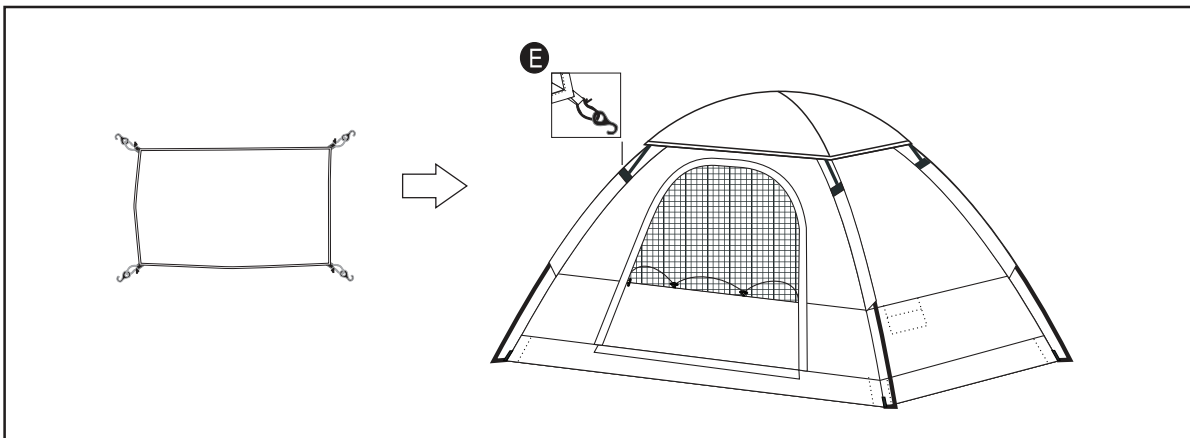
**Step 1- TENT SET UP**

- 1) Spread the tent body on the ground.
- 2) Fully open all poles.
- 3) Thread poles through poles sleeves atop of tent (**Figure A**).
- 4) Insert all pole ends into the metal pins found at the bottom corners of the tent (**Figure B**).
- 5) Stake the tent down (**Figure C**).
- 6) Tie the tent to the top with the rope (**Figure D**).



**Step 2- ATTACHING THE RAIN FLY**

- 7) Drape the fly over the tent.
- 8) Hook corners of fly to the tent (**Figure E**).



# Manufacturer's Warranty

Warranty covers product to be free from defects in material and workmanship for 14 days after date of purchase.

Warranty does not cover natural breakdown of materials that occur inevitably with extended use (e.g., UV damage, exhausted zippers, defects caused by accident, abuse, alteration, animal attack, storm damage, misuse or improper care.

This product is covered for 14 days from date of purchase. Please check all contents to verify product has no missing or broken parts. Gigatent will mail replacement parts free of charge within the 14 Day Manufacturer's Warranty by calling 1-877-836-8701 or emailing [customerservice@gigatent.com](mailto:customerservice@gigatent.com). We highly recommend logging on to our website at [www.gigatent.com](http://www.gigatent.com) should you need customer service.

## WARNING:

This product was not designed to be left out in the sunlight for extended periods of time. Prolonged UV exposure will rapidly break down the fabric of this product. UV damage is not covered under our warranty.

**WARNING : NEVER LEAVE CHILDREN UNATTENDED IN TENT.**

Keep all Flame and Heat away from tent and tent fabric.

This tent meets flammability requirements of **CPAI-84**.

**THIS TENT IS NOT FIRE PROOF.**

**IF LEFT IN OPEN FLAME THE TENT WILL BURN.**

**CAUTION:** Never use any fuel-burning or oxygen-consuming devices, or any devices that produce fumes, including stoves, lanterns, candles, hibachis or heaters in or around your tent. This can result in carbon monoxide poisoning, injury or death.

**Manufactured in China for  
Gigatent  
55 Haul Rd  
Wayne, New Jersey 07470  
[www.gigatent.com](http://www.gigatent.com)**



For questions or concerns call Gigatent at our Toll Free Number:  
877-836-8701 Monday-Thursday 9am-5pm EST, Friday 9am-12pm EST or email us at [customerservice@gigatent.com](mailto:customerservice@gigatent.com).  
For replacement parts, please login to our website at [gigatent.com](http://gigatent.com) and click the link "replacement parts".

TO VIEW FULL SELECTION OF OUR PRODUCT LINE, GO TO [WWW.GIGATENT.COM](http://WWW.GIGATENT.COM)