










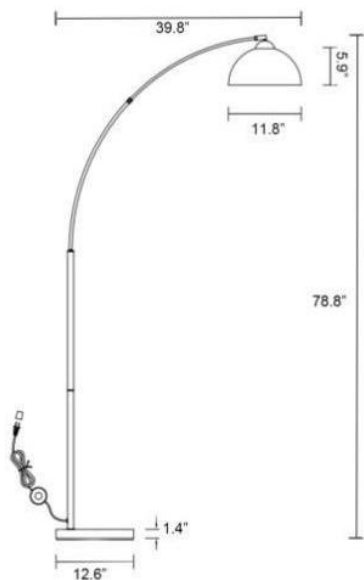
Introduction

Do not discard any contents until after assembly is complete to avoid accidentally discarding small parts or hardware.

Package Includes

NO	Description		QTY
A	Pole		1
B	Screw		2
C	Allen Wrench		1
D	Base		1
E	Tooth washer		1
F	Nut		1
G	Wrench		1
H	Shade		1
I	Lock ring		1

Product Size



Specification

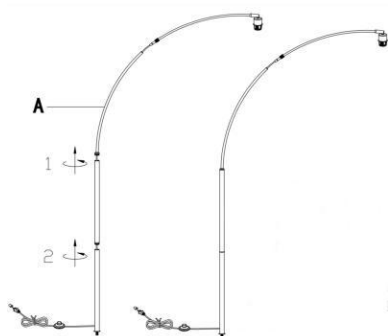
Product Name	Floor Lam
Max Wattage	100W
Bulb Base	E26
Product Size	L39.8"xW12.6"xH78.8"
Product Material	Metal and Marble
Base Material	Marble
Switch Type	Foot Switch on/off

Assembly Instructions

1. First, connect the straight section to the elbow and tighten it clockwise.

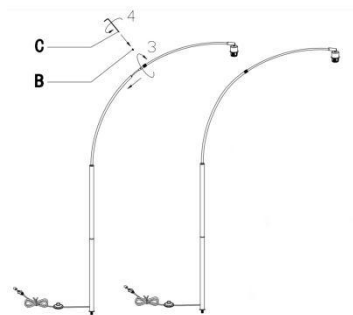
2. Next, connect the straight tube to the straight tube and tighten it clockwise.

You may need to pull any excess cord gently through the poles so that these two parts fit securely.

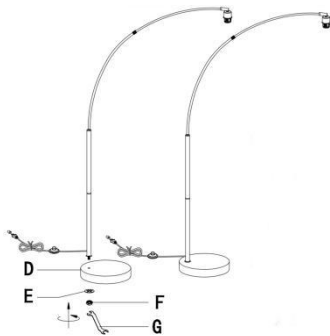


3. Insert the A-bending tube into the lower tube. Then, tighten it with a screw (B) using the wrench (C).

You may need to pull any excess cord gently through the poles so that these two parts fit securely.



4. Insert tube (A) into base (D)&washer (E),Then tighten it with nut (F) using wrench (G)



5. Place the shade (H) onto the socket holder and turn the socket ring (I) until tight to secure the shade.

6. Install the E26 base/medium bulb on the lamp cap (Bulbs sold separately).

