

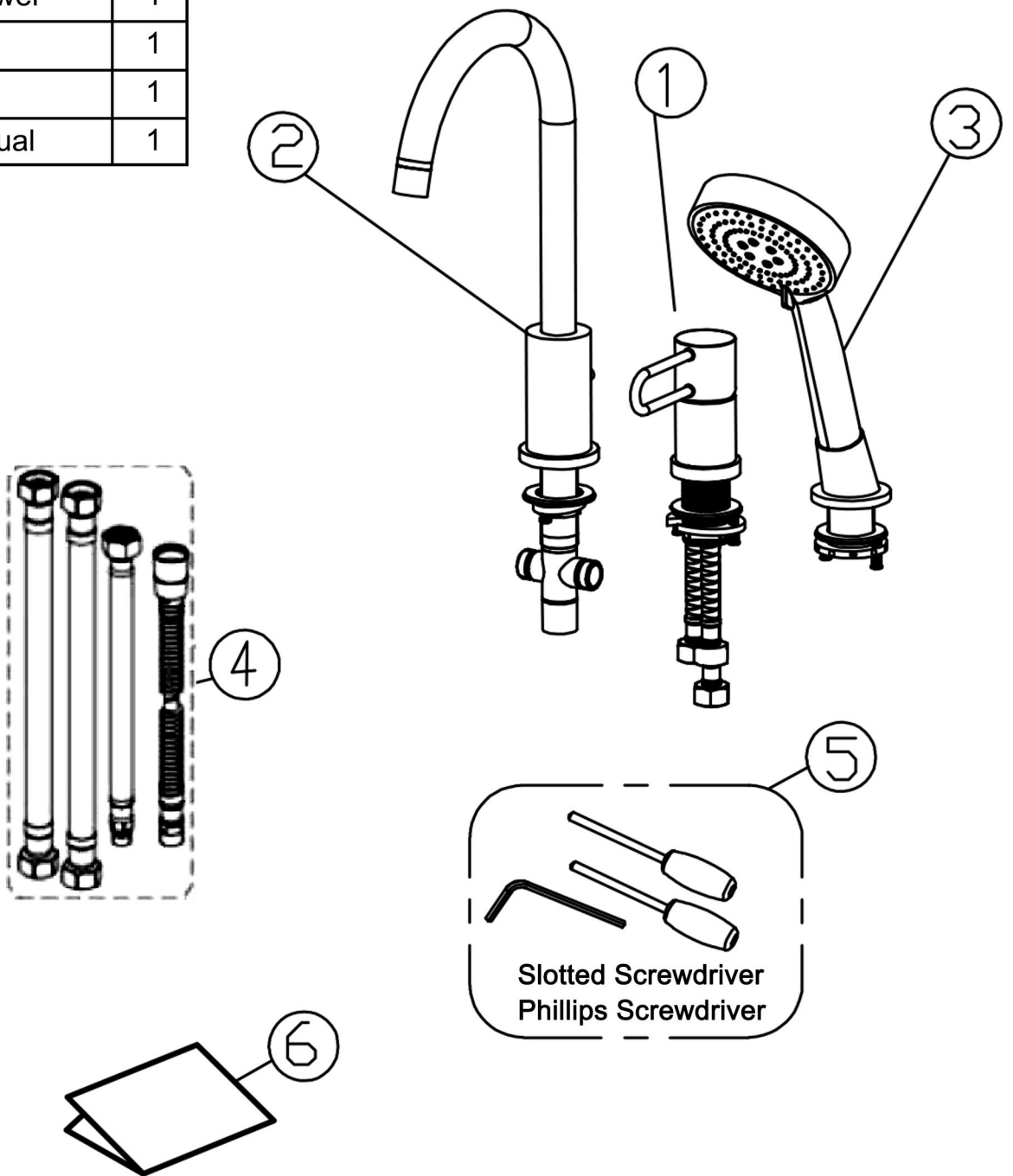
# User's Manual





# BEFORE INSTALLATION

NO.	Name	Qty
1	Handle	1
2	Spout	1
3	Hand shower	1
4	Hose	1
5	Tool Kit	1
6	User Manual	1



## Check accessories

### Standard List of Accessories:

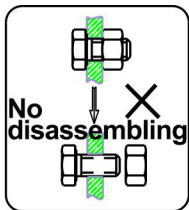
When you open the product packaging, please check whether the objects in it are consistent with the main body and accessories you purchased. If there is any inconsistency, please contact our company or our distributor.

Note: 1. Accessories are subject to change without prior notice if the change does not affect usage;

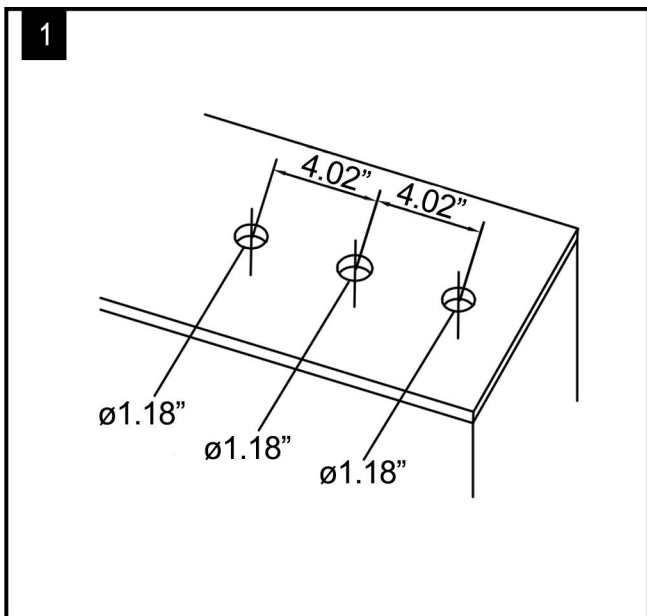
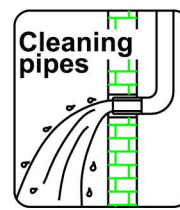
2. The appearance of the product is subject to the physical objects you receive, and the schematic diagram is only for reference.

# INSTALLATION STEPS

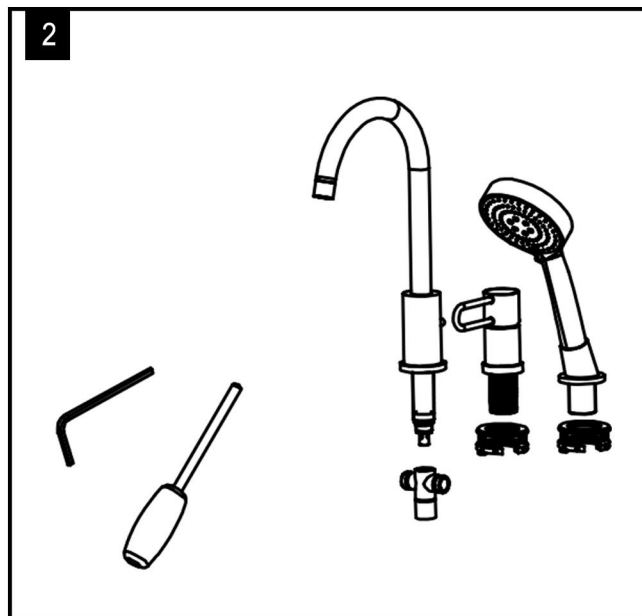
This product has been inspected and debugged by the factory to the best condition. Please do not disassemble and assemble it yourself.



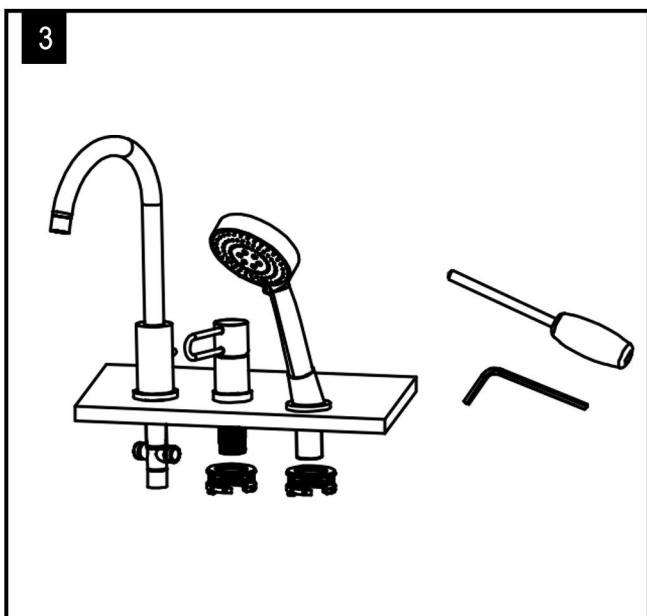
Before installing the product, please be sure to remove sundries and sludge from the water pipe to prevent sundries from blocking the product.



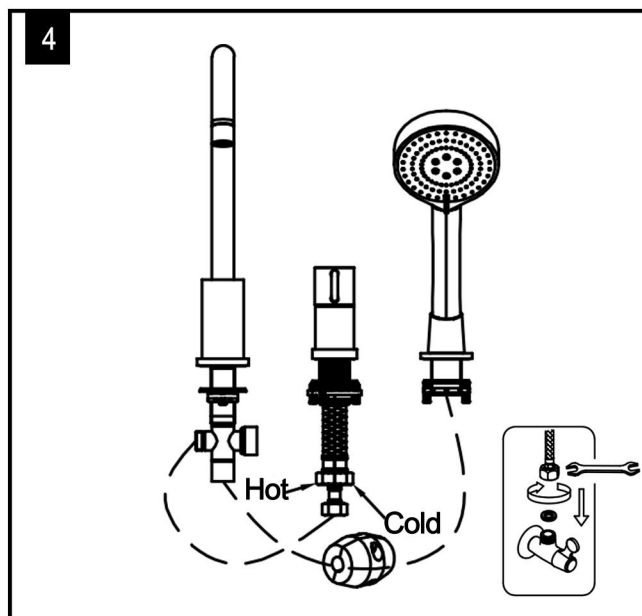
1. Make three holes on the side of the bathtub according to the size given in the picture above.



2. As shown in the picture, first remove the three sets of fixing parts, and then follow the removal steps to pass through the fixing sets from the bottom and connect them to the main body.



3. As shown in the picture, first install the main body into the bottom, then lock it with the locking assembly, then install each handle on each main body, and finally lock it with a tool.



4. As shown in the figure, connect the water inlet hose to the hot and cold water valve, and finally install the gravity ball on the pull-out shower pipe.



