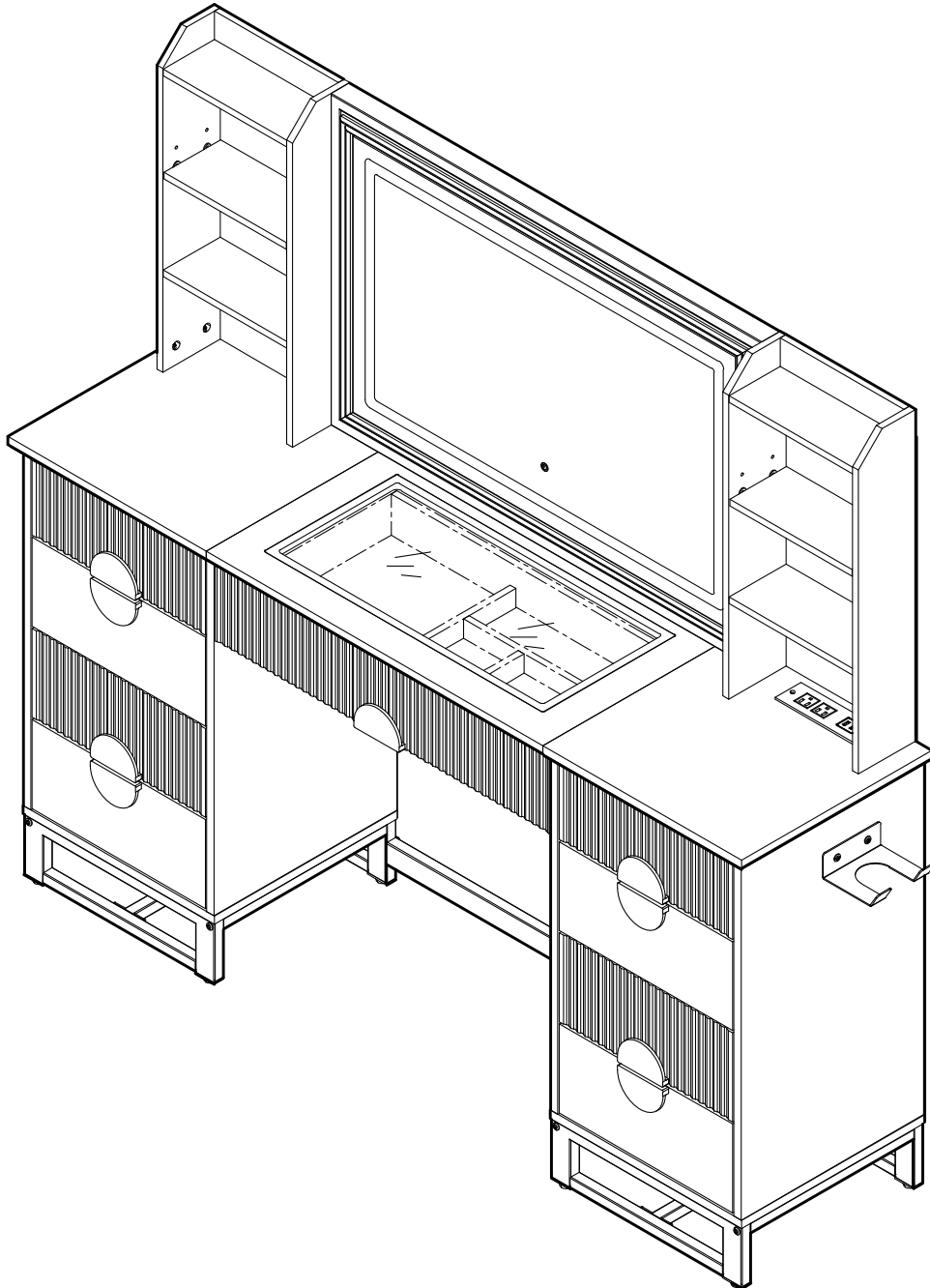
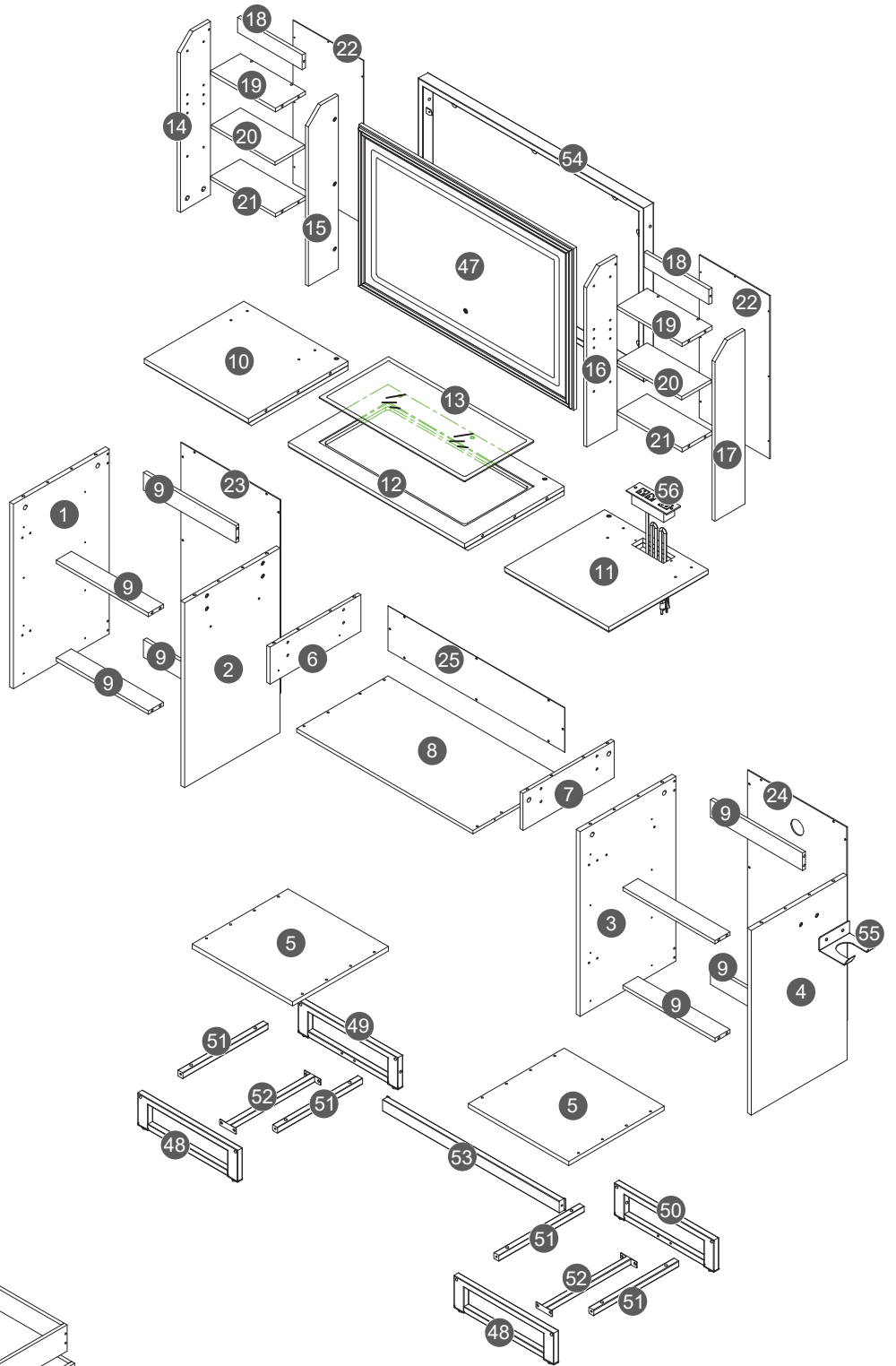
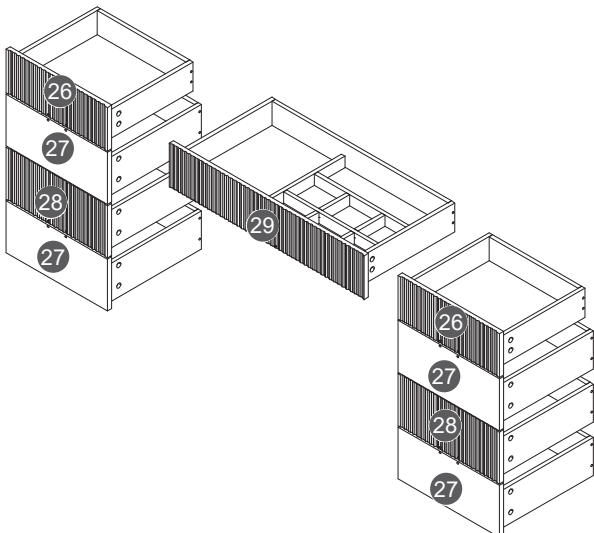
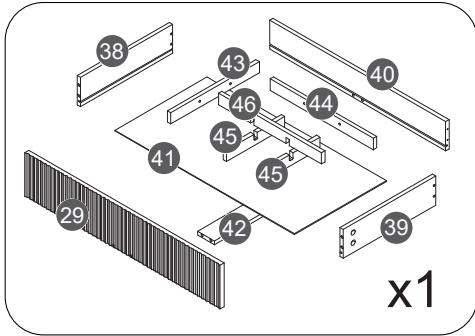
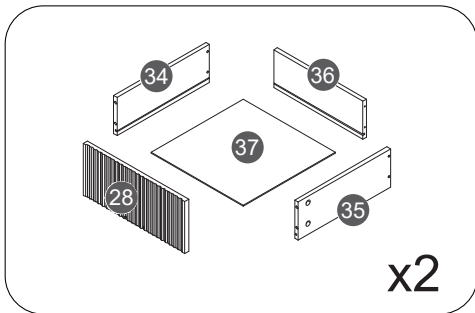
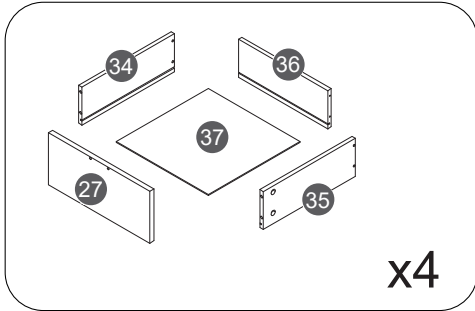
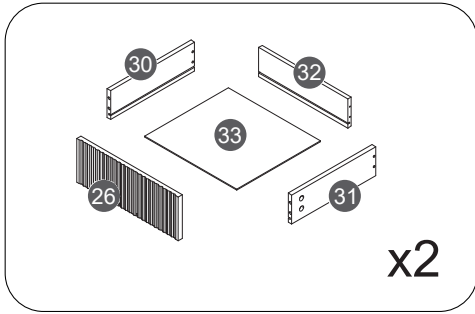


CUSTOMER MANUAL

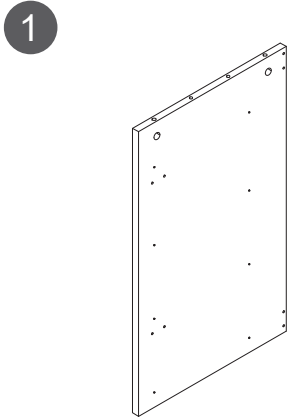
-V0.1



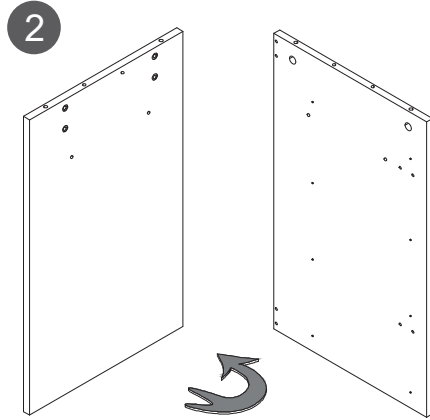
ASSEMBLY STRUCTURE REFERENCE DIAGRAM



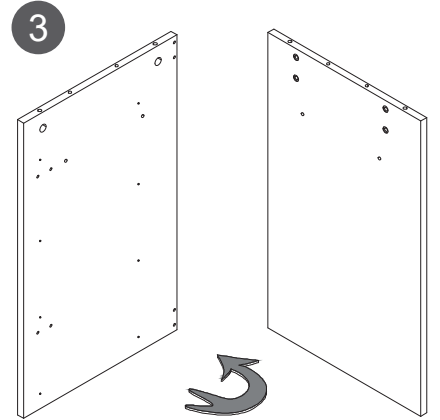
PARTS



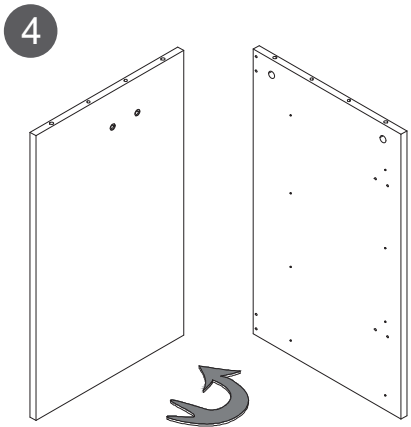
x1



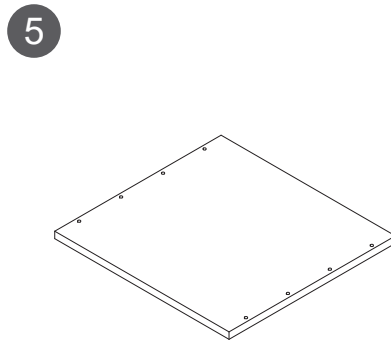
x1



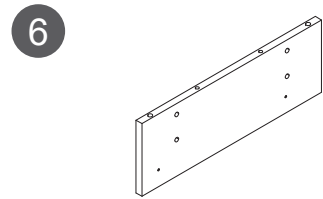
x1



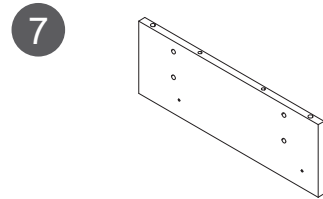
x1



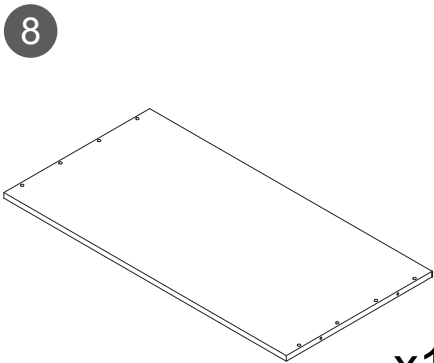
x2



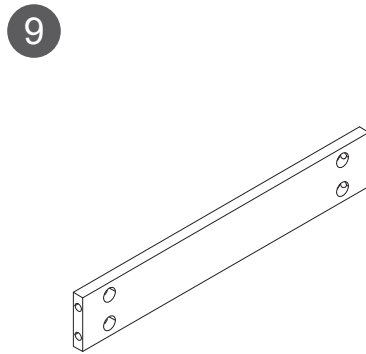
x1



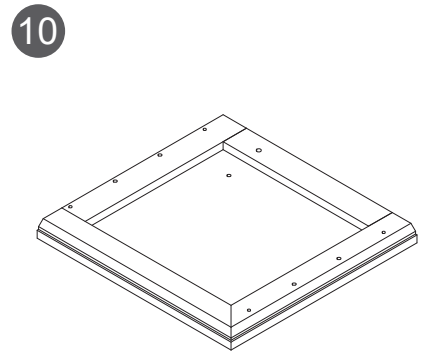
x1



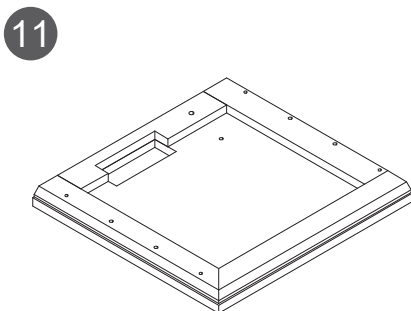
x1



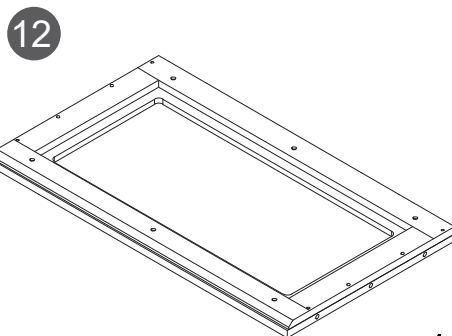
x8



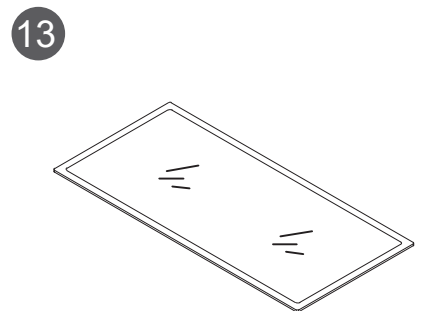
x1



x1



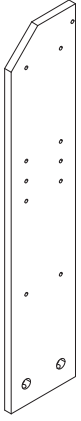
x1



x1

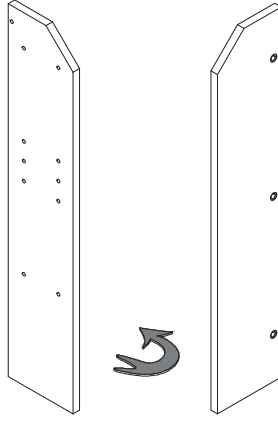
PARTS

14



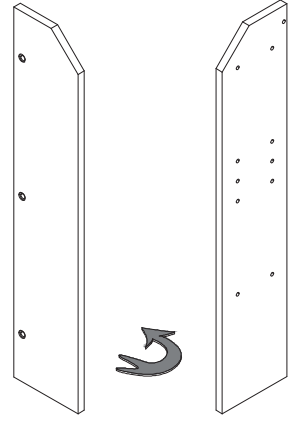
x1

15



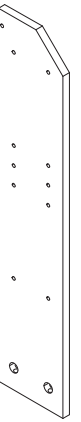
x1

16



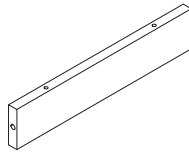
x1

17



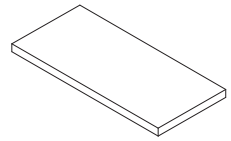
x1

18



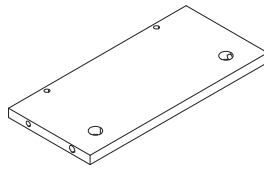
x2

20



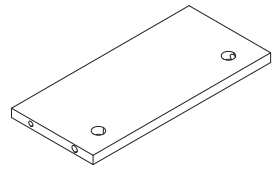
x2

19



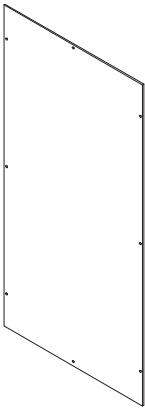
x2

21



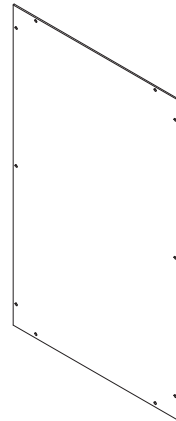
x2

22



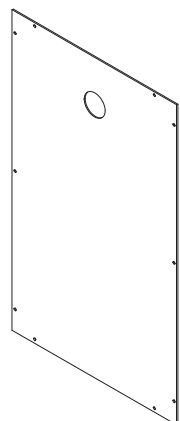
x2

23



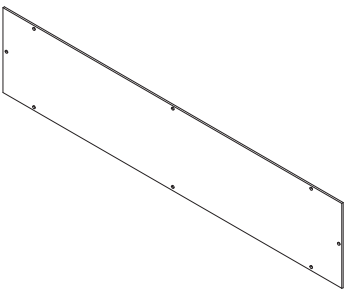
x1

24



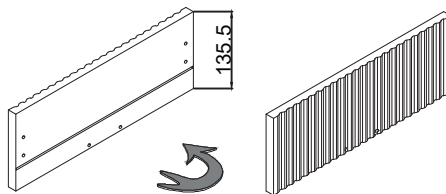
x1

25



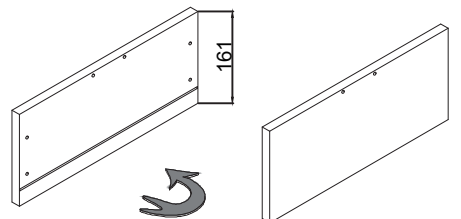
x1

26



x2

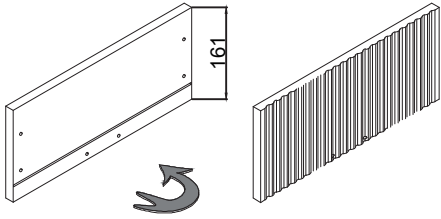
27



x4

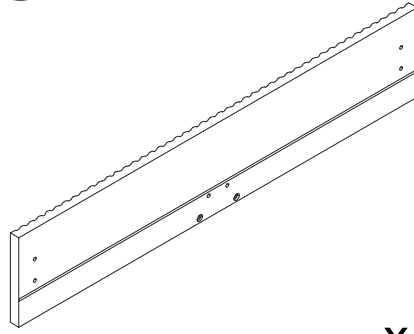
PARTS

28



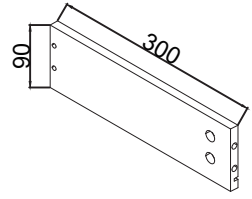
x2

29



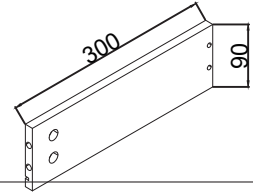
x1

30



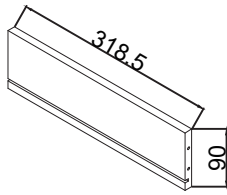
x2

31



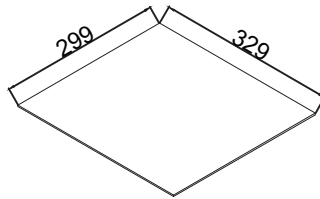
x2

32



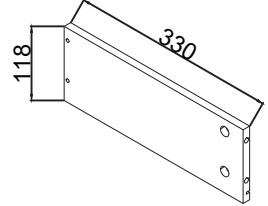
x2

33



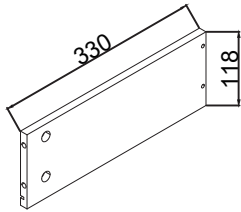
x2

34



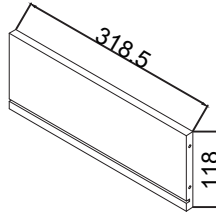
x6

35



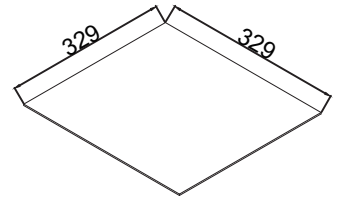
x6

36



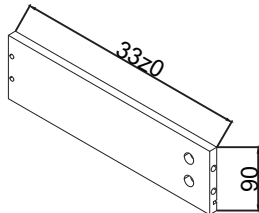
x6

37



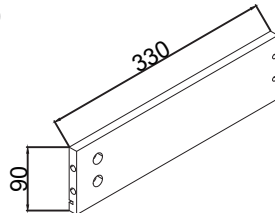
x6

38



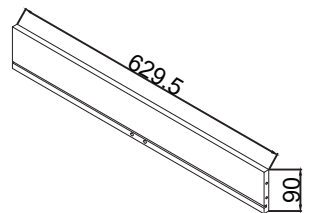
x1

39



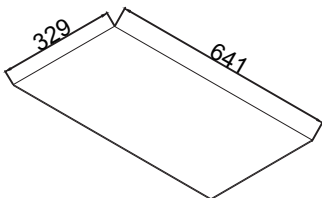
x1

40



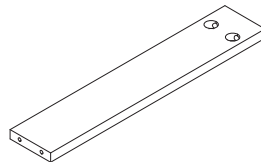
x1

41



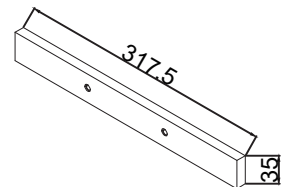
x1

42



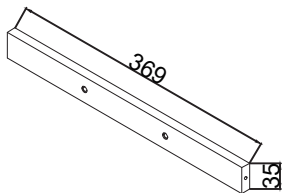
x1

43



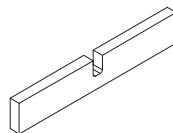
x1

44



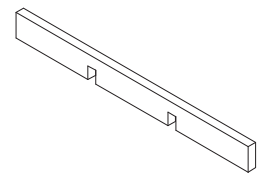
x1

45



x2

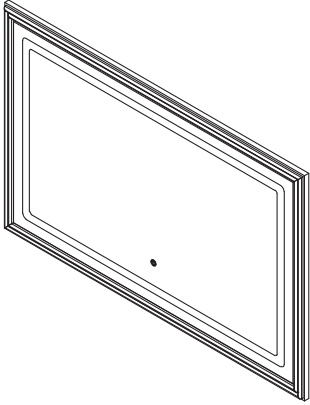
46



x1

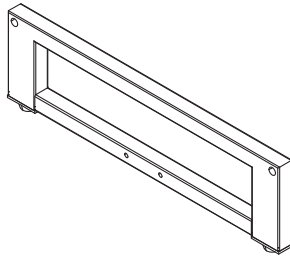
PARTS

47



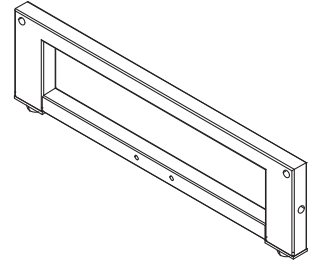
x1

48



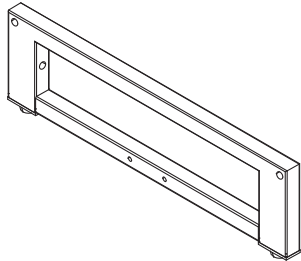
x2

49



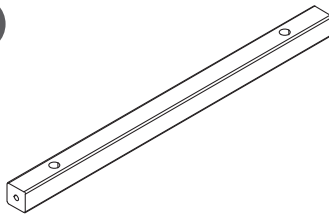
x1

50



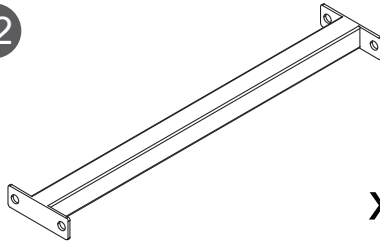
x1

51



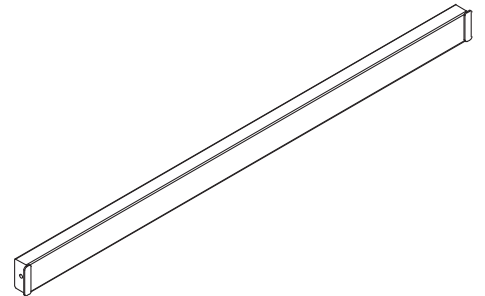
x4

52



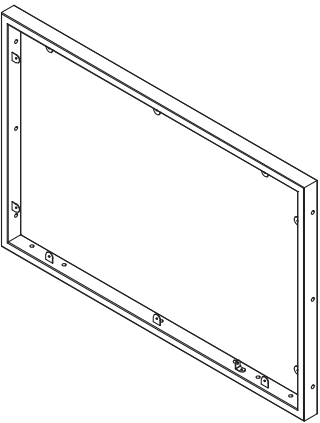
x2

53



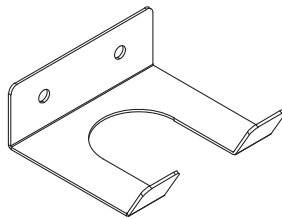
x1

54



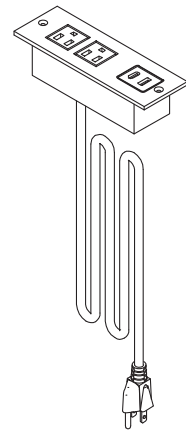
x1

55



x1

56

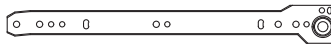


x1

57

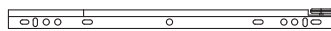
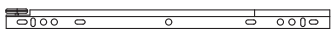
CL x9

CR x9



DL x9

DR x9



12"08x9

58



Attention: there are 4 kinds of slides in our product, in which 2 are **Boards slides**, which marked as **CL & CR** and contains 9 pieces respectively, and the other 2 are the **Drawer slides**, which marked as **DL & DR** and contains 9 pieces respectively.

PARTS

A



M5 x 42mm
X 94

B



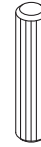
Ø15 x 10mm
X 94

C



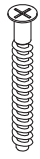
Ø8 x 40mm
X 6

D



Ø6 x 40mm
X 36

E



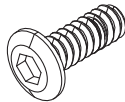
M5 X 40mm
X 66

F



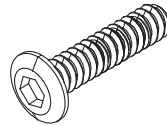
M6 X 10mm
X 10

G



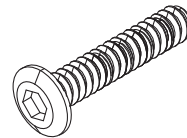
M6 X 20mm
X 8

H



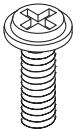
M6 X 28mm
X 19

I



M6 X 40mm
X 8

J



M4 X 18mm
X 18

K



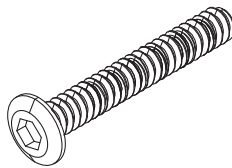
M3.5 x 12mm
X 120

L



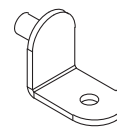
M3.5 x 14mm
X 44

N



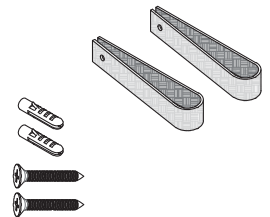
M6 x 70mm
X 2

M



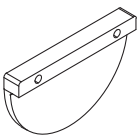
Ø5
X 8

O

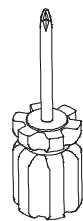


X 1

P

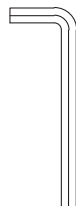


X 9

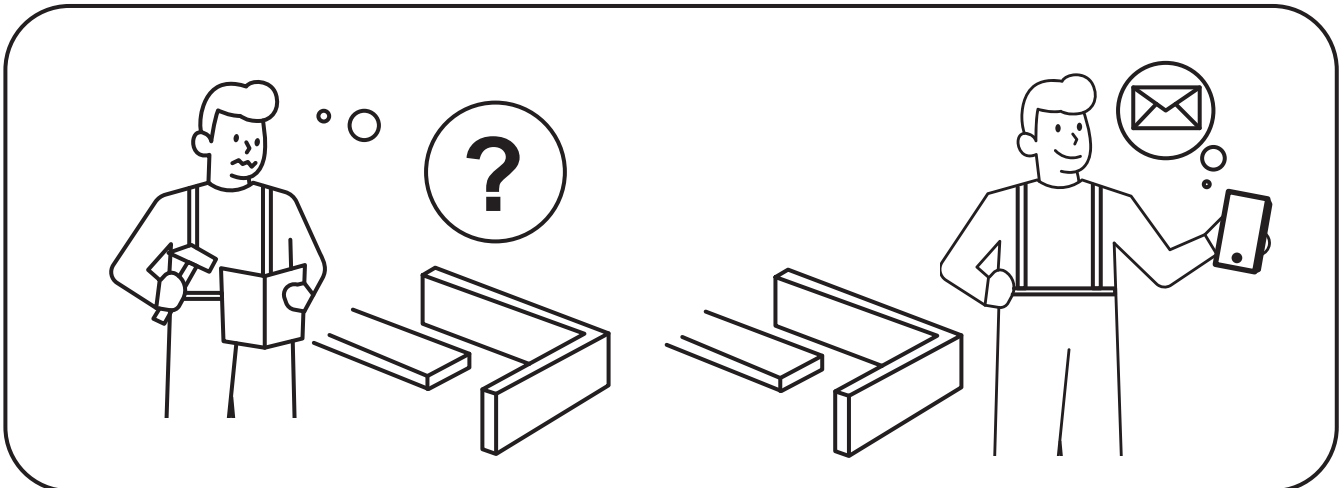
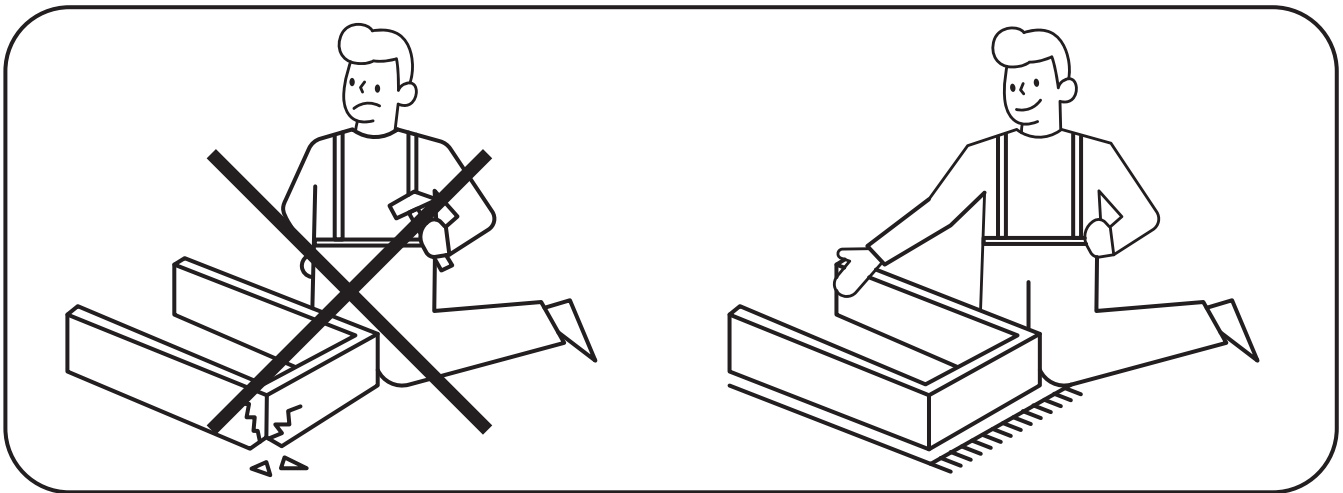
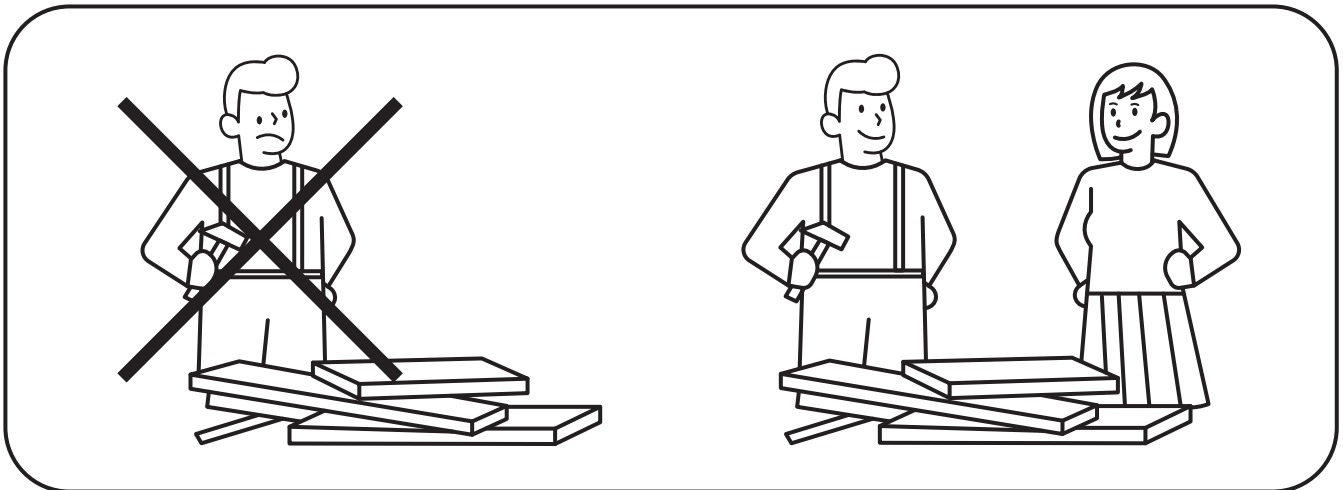
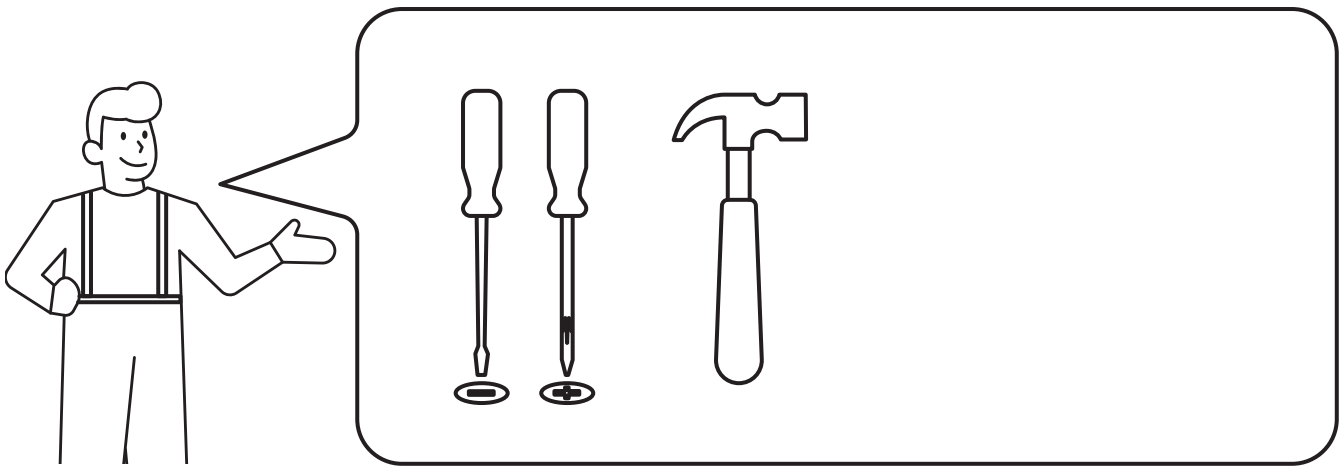


X 1

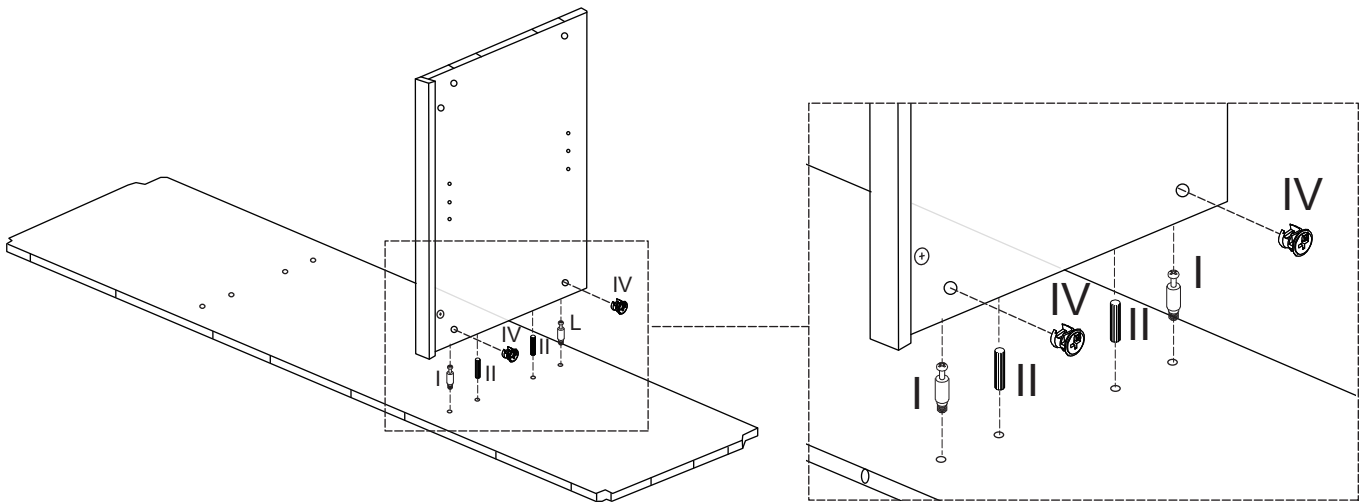
4#



X 1

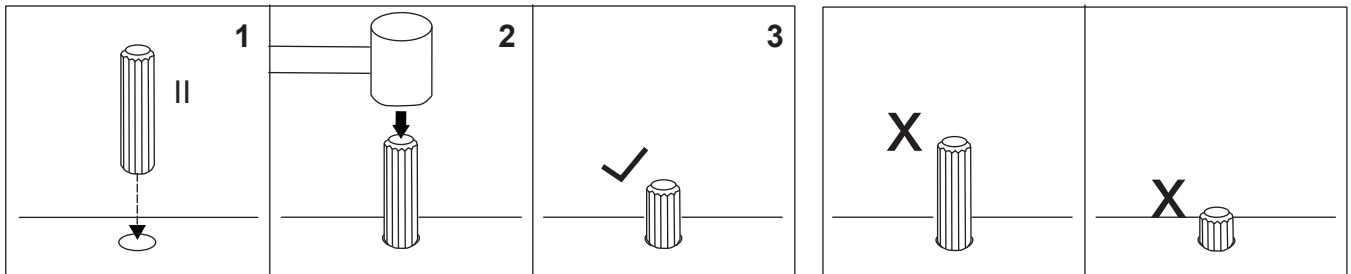


How to work the Knock Down (kd) assembly system

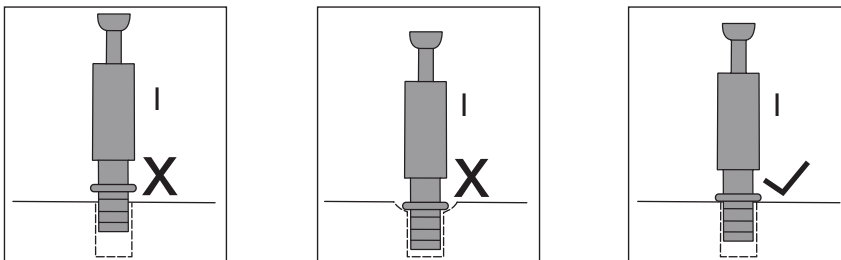


How to install Wood Dowel

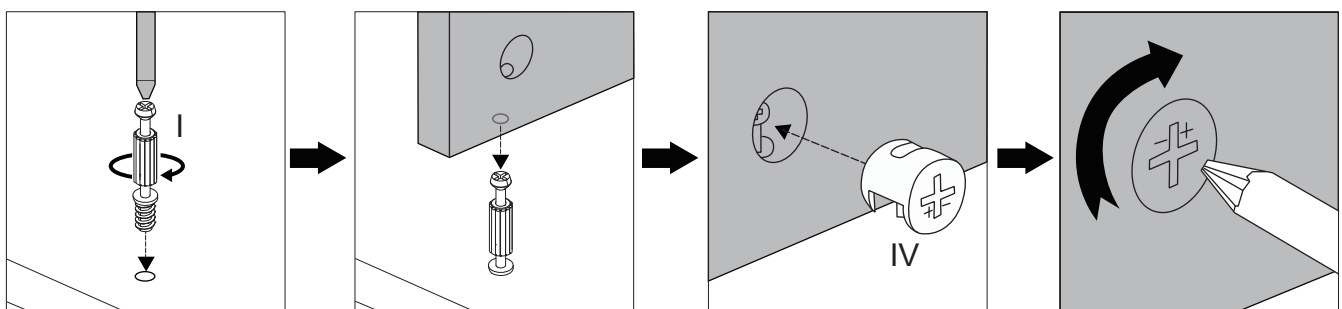
Insert the wood dowel [II] at least half way by tapping lightly with a rubber mallet, IF NECESSARY.



How to use the Cam Lock system



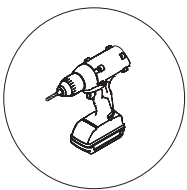
1. Screw the cam bolt [I] into the threaded insert on the panel.
2. Connect both panels together making sure cam bolt [I] goes into the pre-drilled large hole on the end of panel for cam lock [IV].
3. Insert the cam lock [IV] into the pre-drilled large hole on the panel. **Make sure the cross slot of cam lock [IV] faces out.**
4. Rotate the cam lock [IV] **clockwise** with a self-supplied philips screwdriver to lock the cam bolt [I] in place.



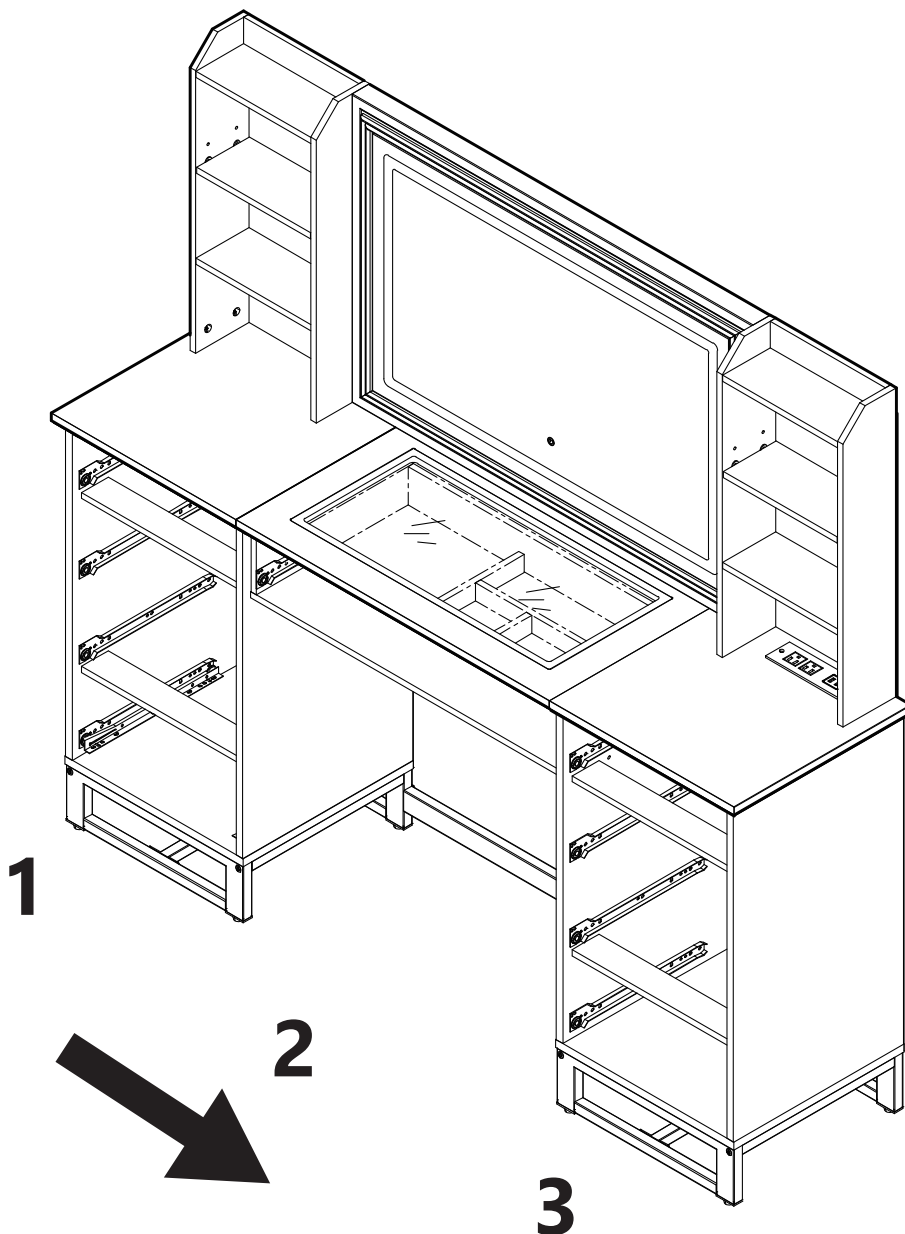
Now you are ready to assemble the vanity

Before installing the product, observe the general structure.

1. Install the left part
2. Install the middle part
3. Install the right part
4. Install the Drawers
5. Install the Drawers Slides



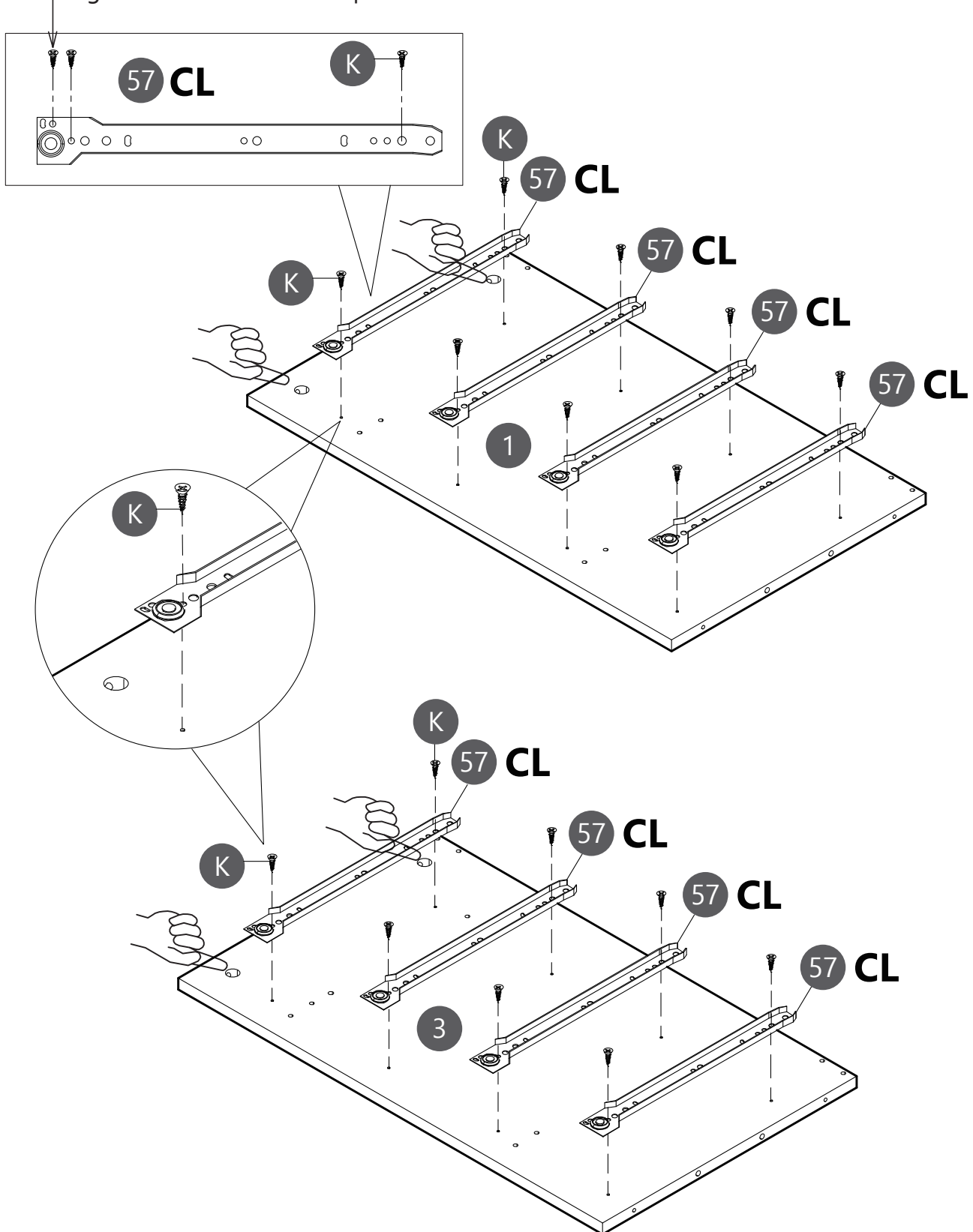
We recommend using a power drill to assemble.


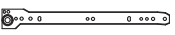


Step 1

Using Screws (K) to assemble Slide (CL) to Board (①&③).

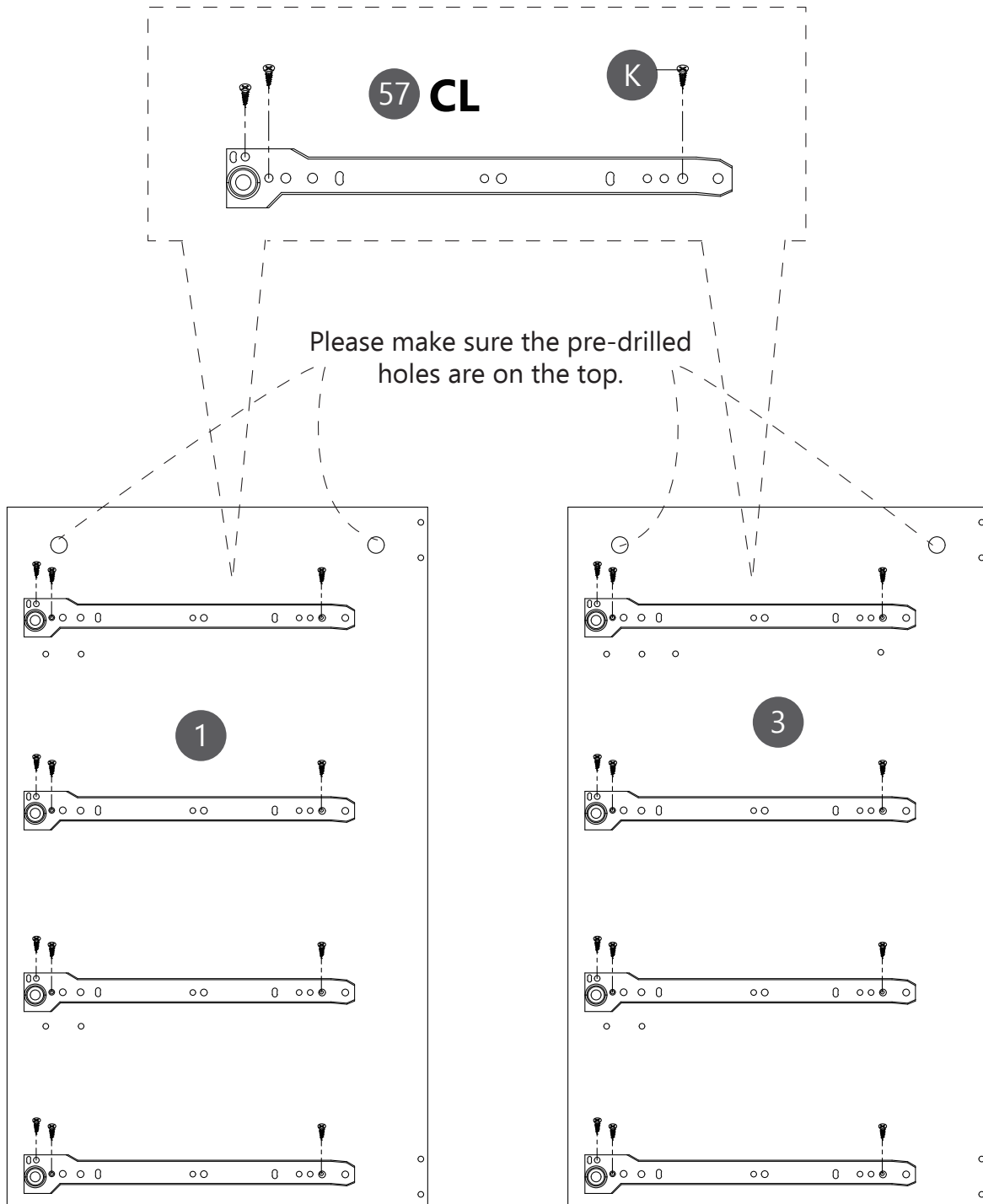
Screwing one more screw in this position for reinforcement.



K		x 24
57		CL x 8

Display. Non-installation steps

Reference to the completion of the installation:
checking the position of the slides and screws in the board.

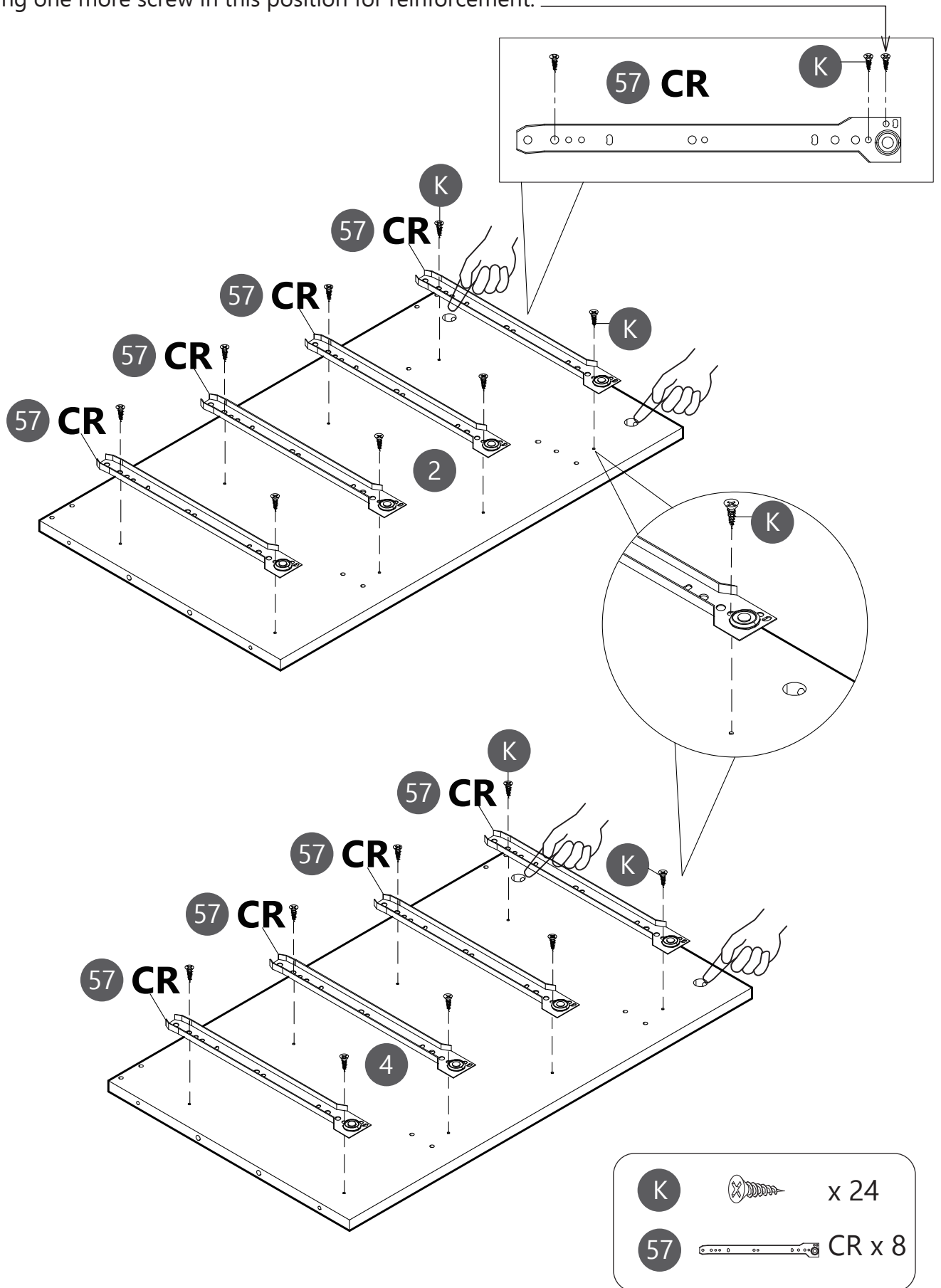


TIP: The screws for the slide must be tightened very tightly, and don't tilt the screws, otherwise the drawers will get stuck and won't fit in.

Step 2

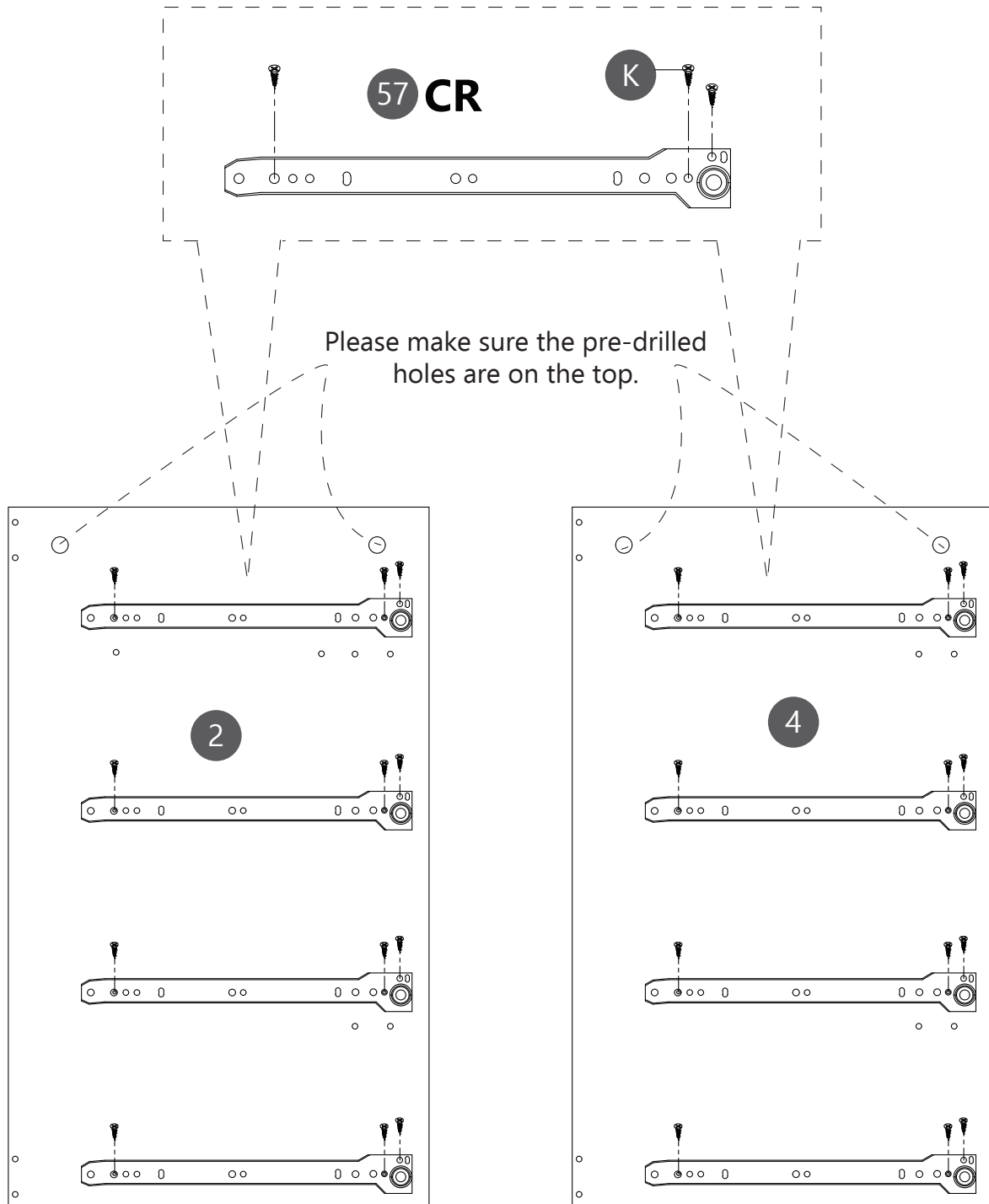
Using Screws (K) to assemble Slide (CR) to Board (②&④).

Screwing one more screw in this position for reinforcement.



Display. Non-installation steps

Reference to the completion of the installation:
checking the position of the slides and screws in the board.

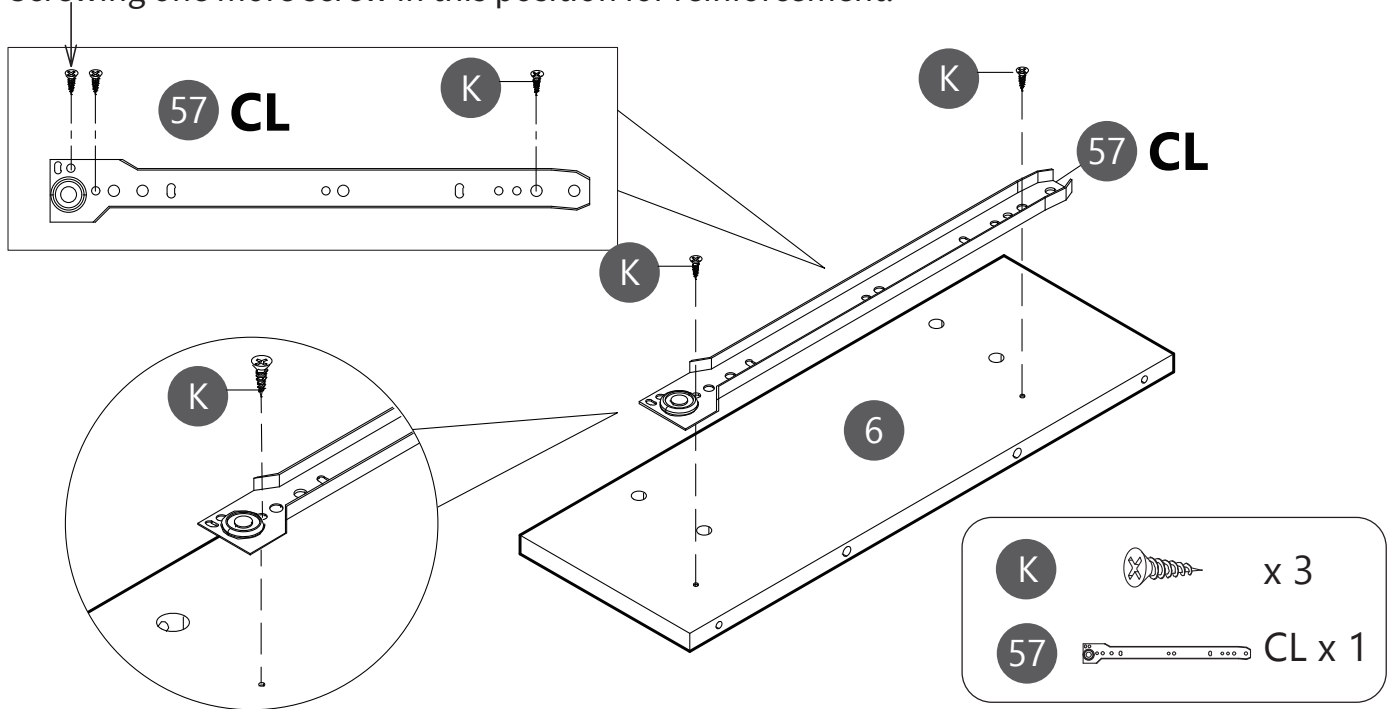


TIP: The screws for the slide must be tightened very tightly, and don't tilt the screws, otherwise the drawers will get stuck and won't fit in.

Step 3

Using Screws (K) to assemble Slide (CL) to Board (⑥).

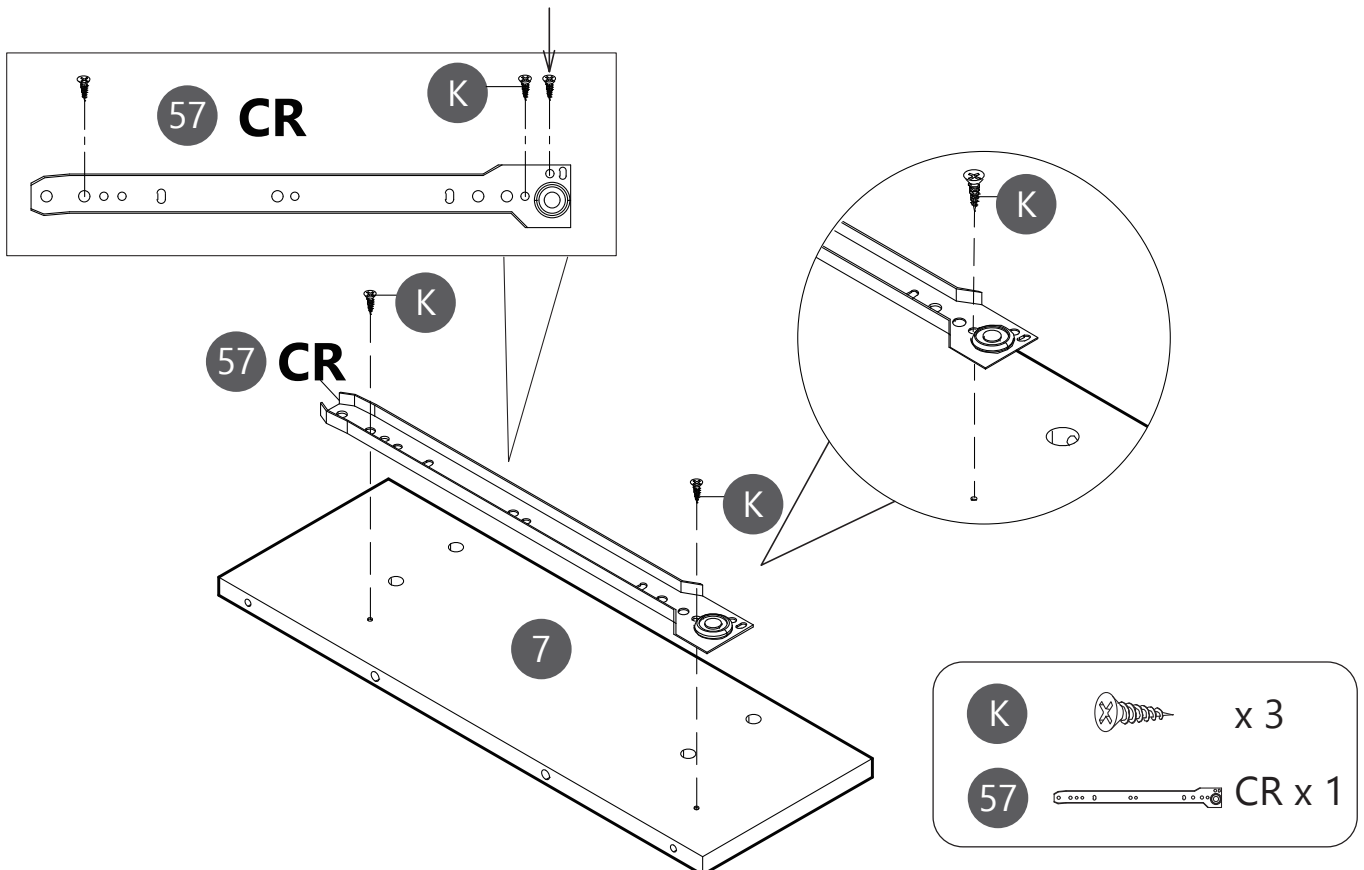
Screwing one more screw in this position for reinforcement.



Step 4

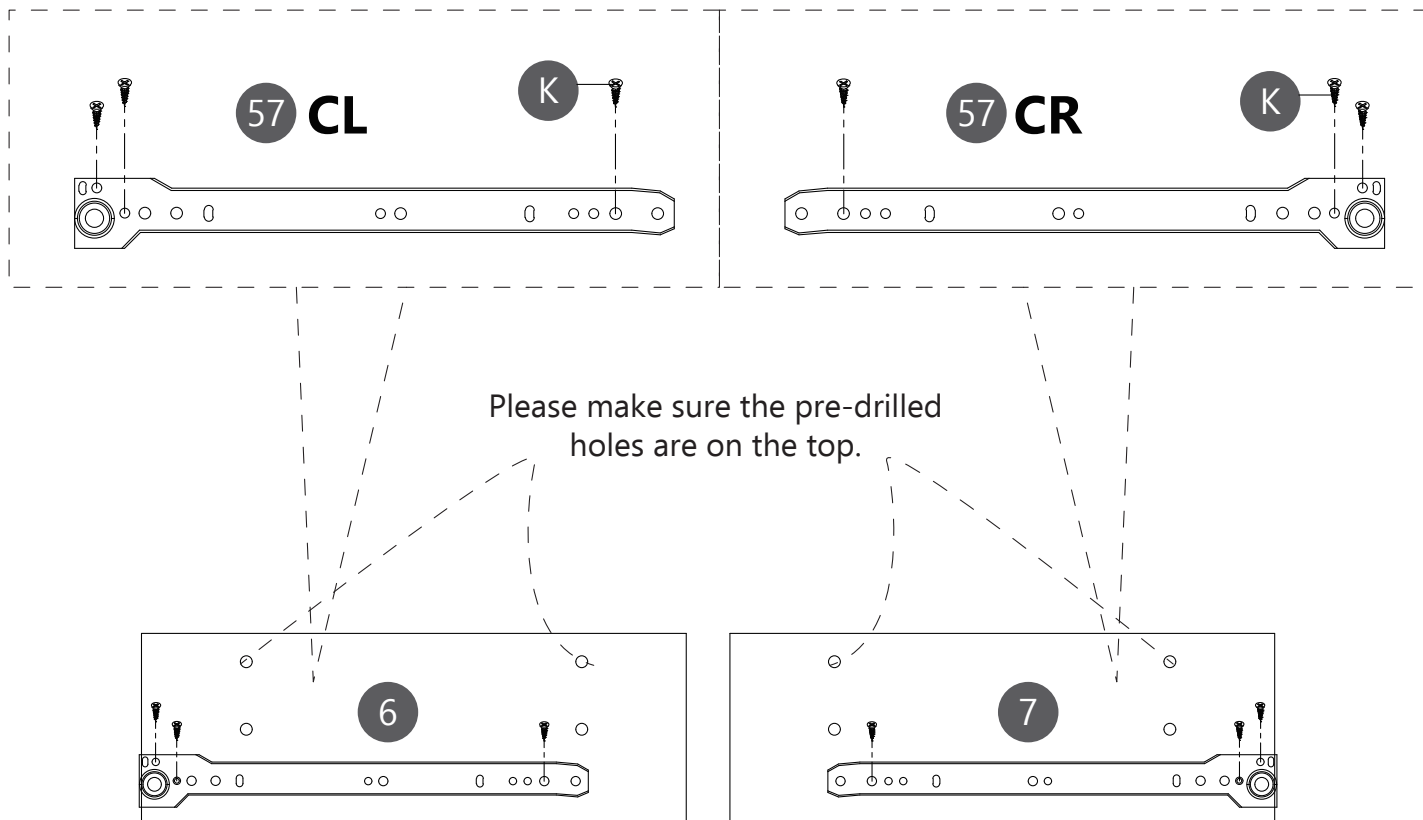
Using Screws (K) to assemble Slide (CR) to Board (⑦).

Screwing one more screw in this position for reinforcement.



Display. Non-installation steps

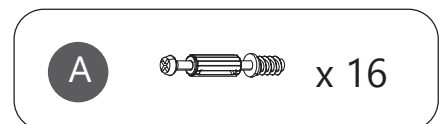
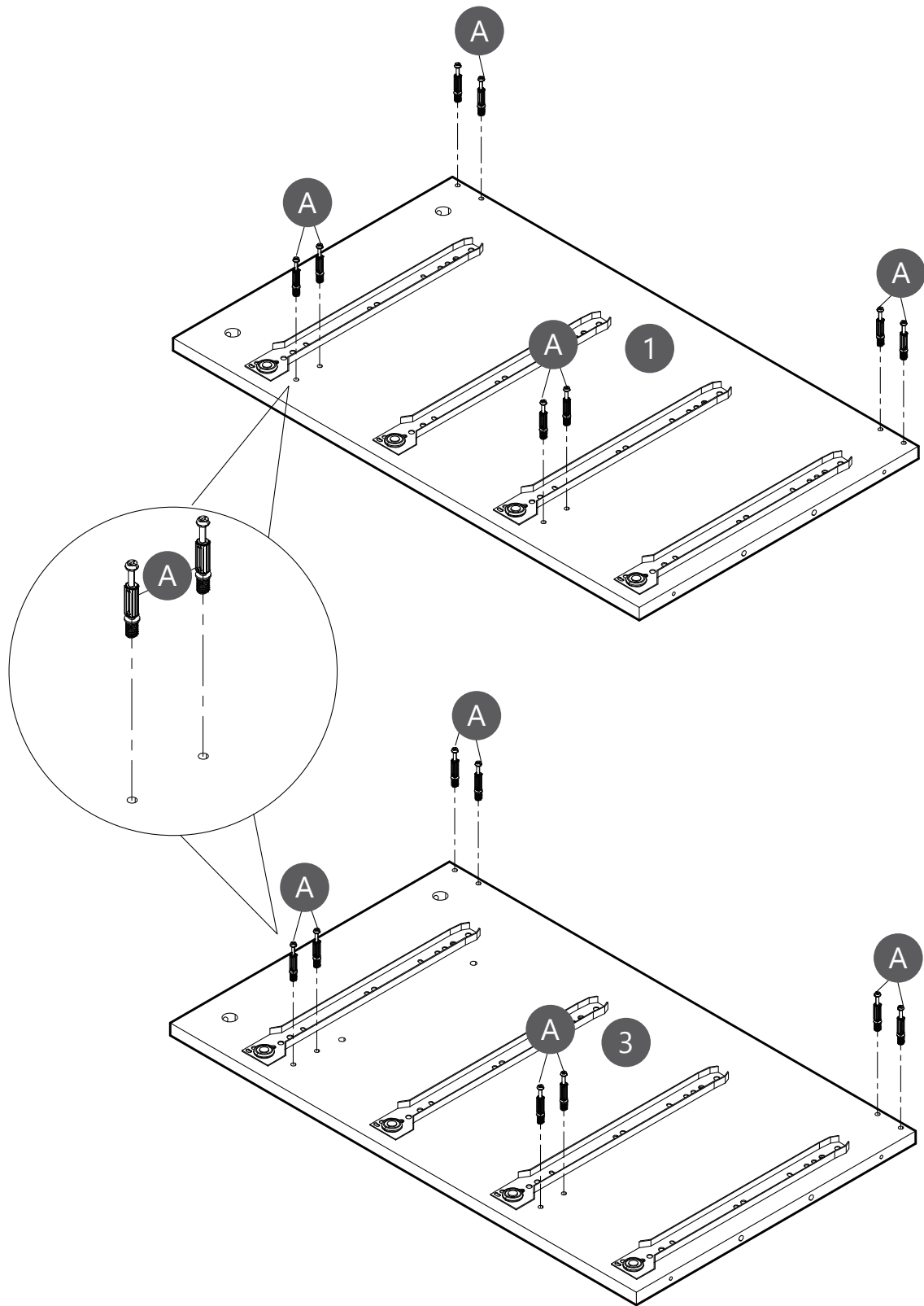
Reference to the completion of the installation:
checking the position of the slides and screws in the board.



TIP: The screws for the slide must be tightened very tightly, and don't tilt the screws, otherwise the drawers will get stuck and won't fit in.

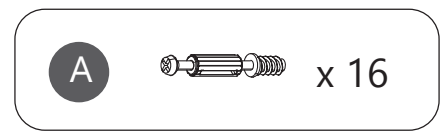
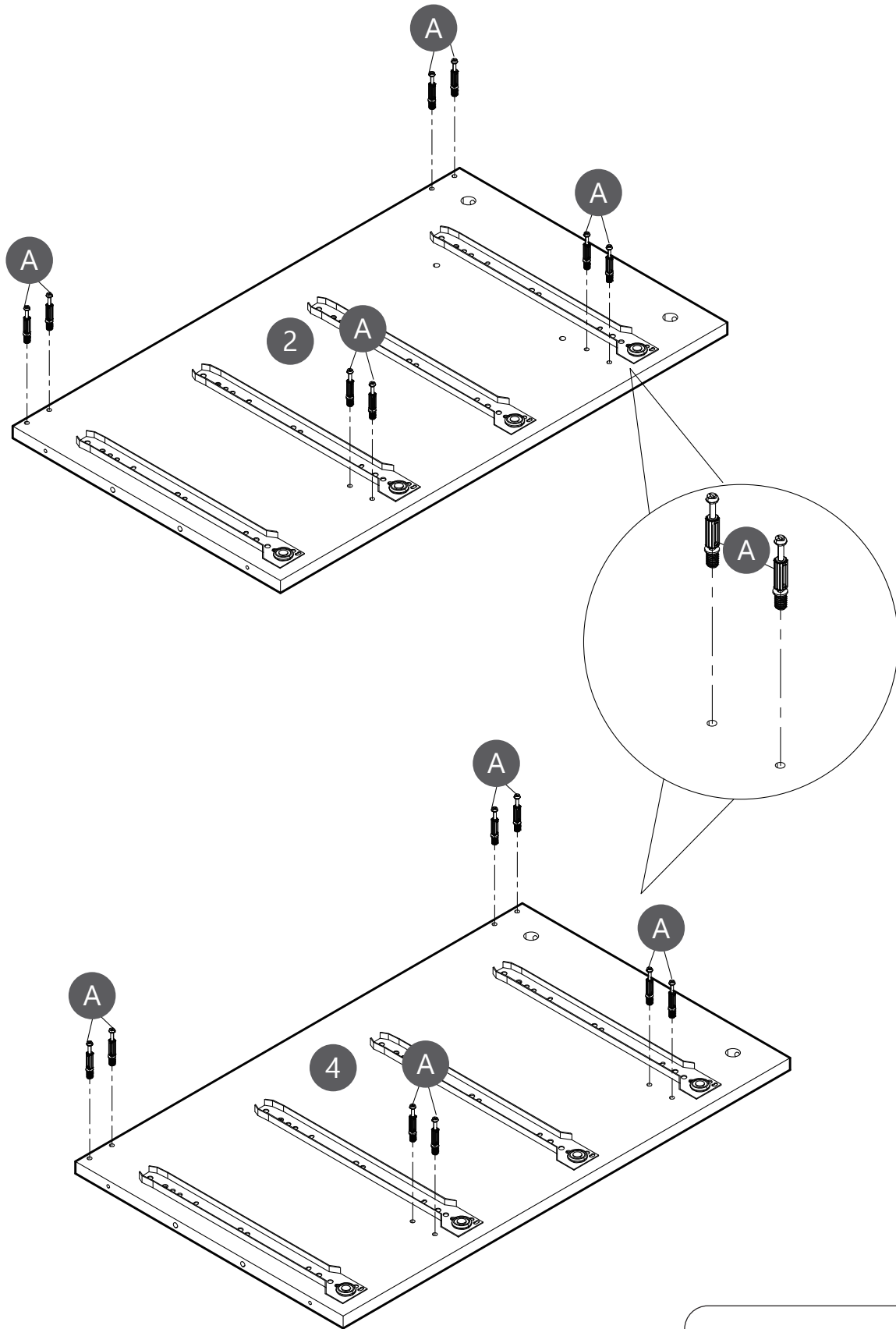
Step 5

Securing Cam Bolt (A) into Board (①&③).



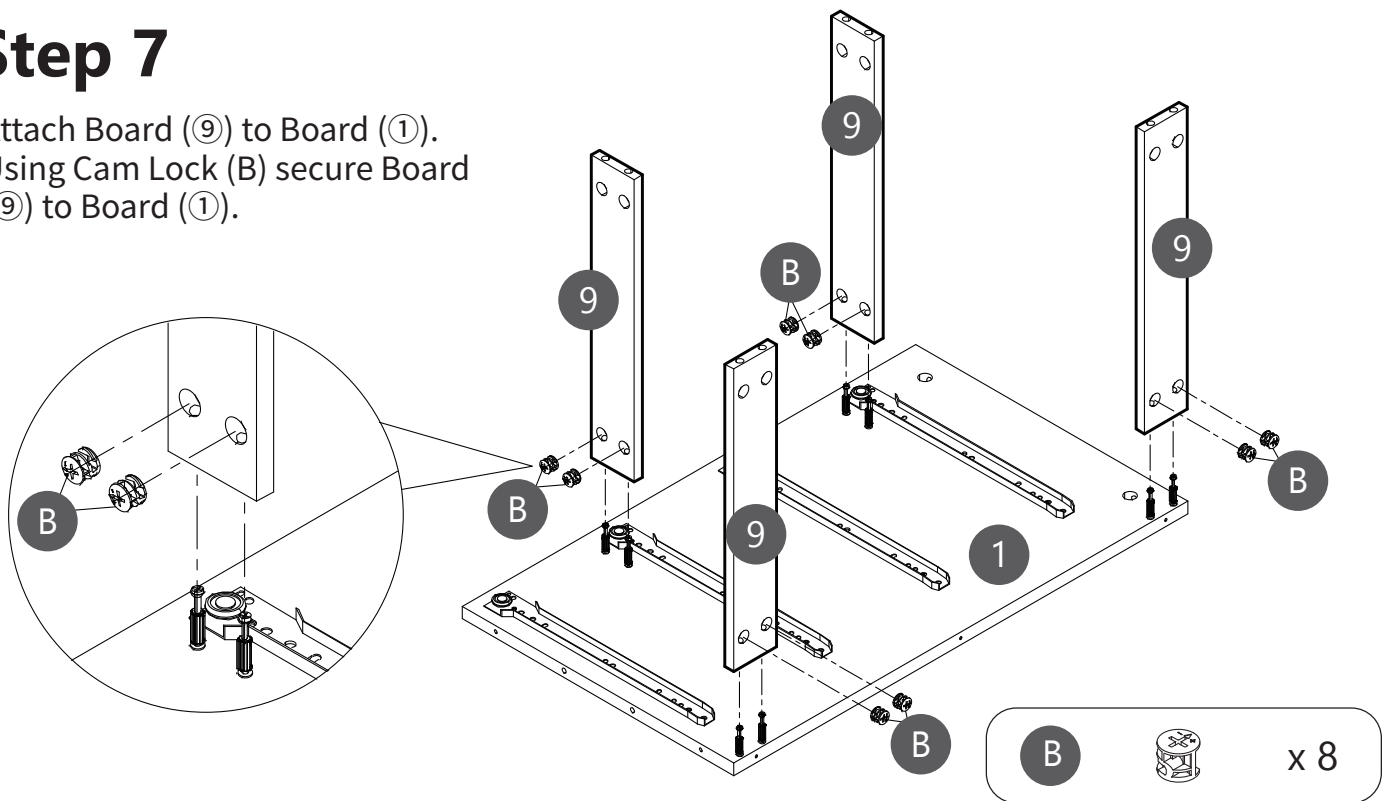
Step 6

Securing Cam Bolt (A) into Board (②&④).



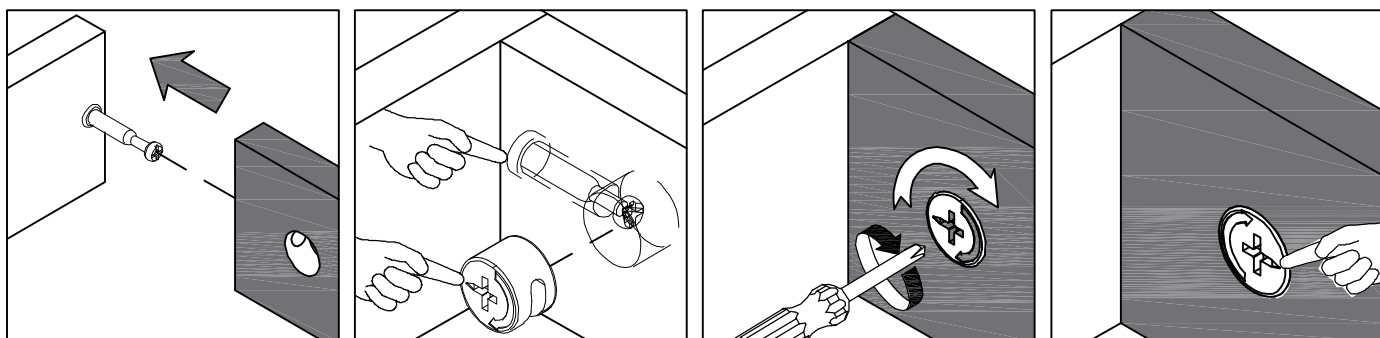
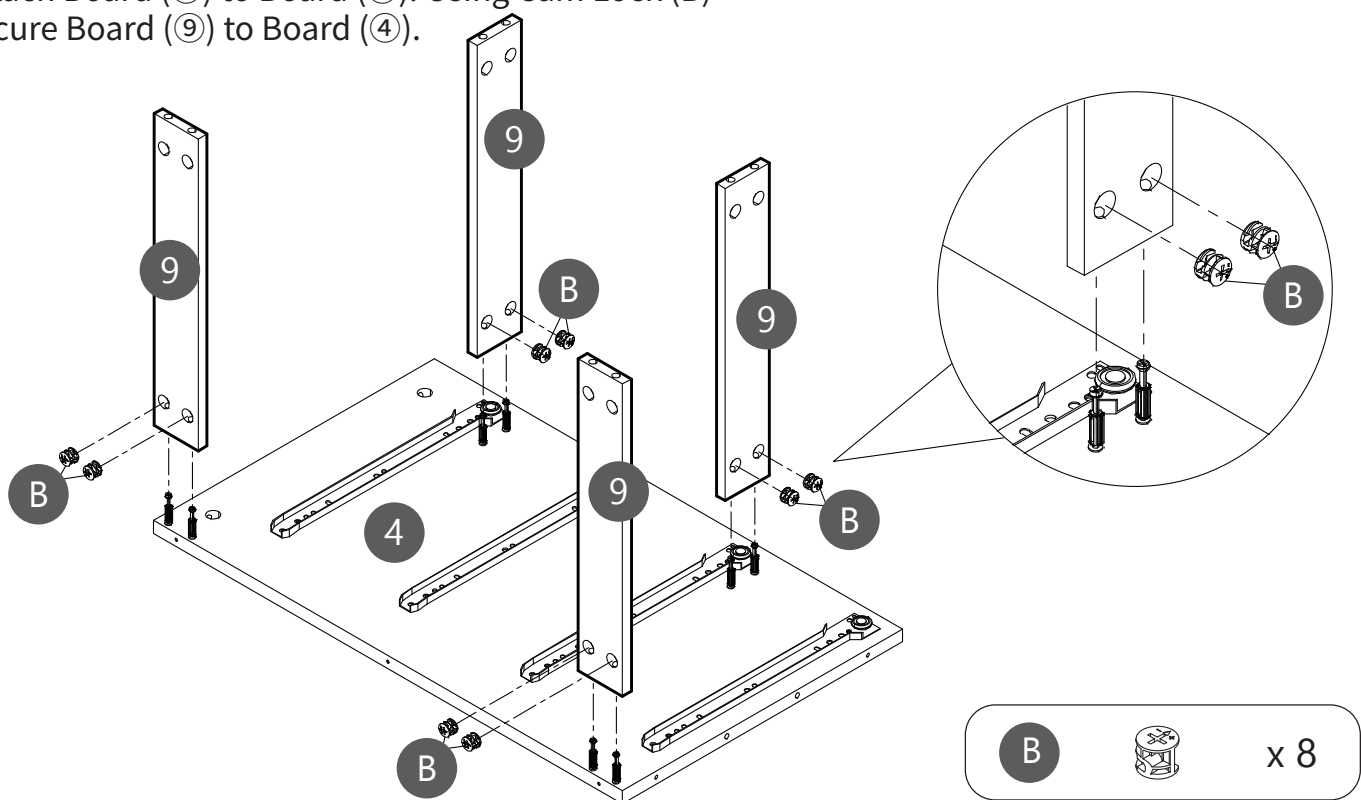
Step 7

Attach Board (9) to Board (1).
Using Cam Lock (B) secure Board (9) to Board (1).



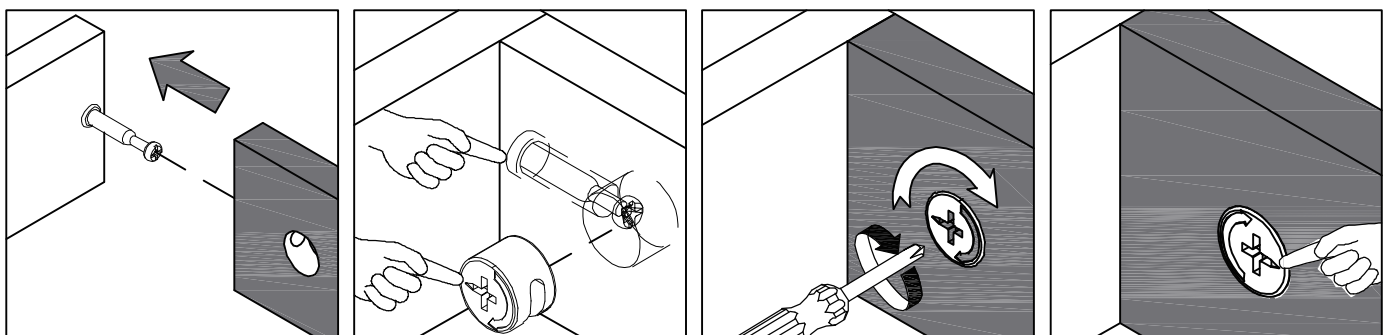
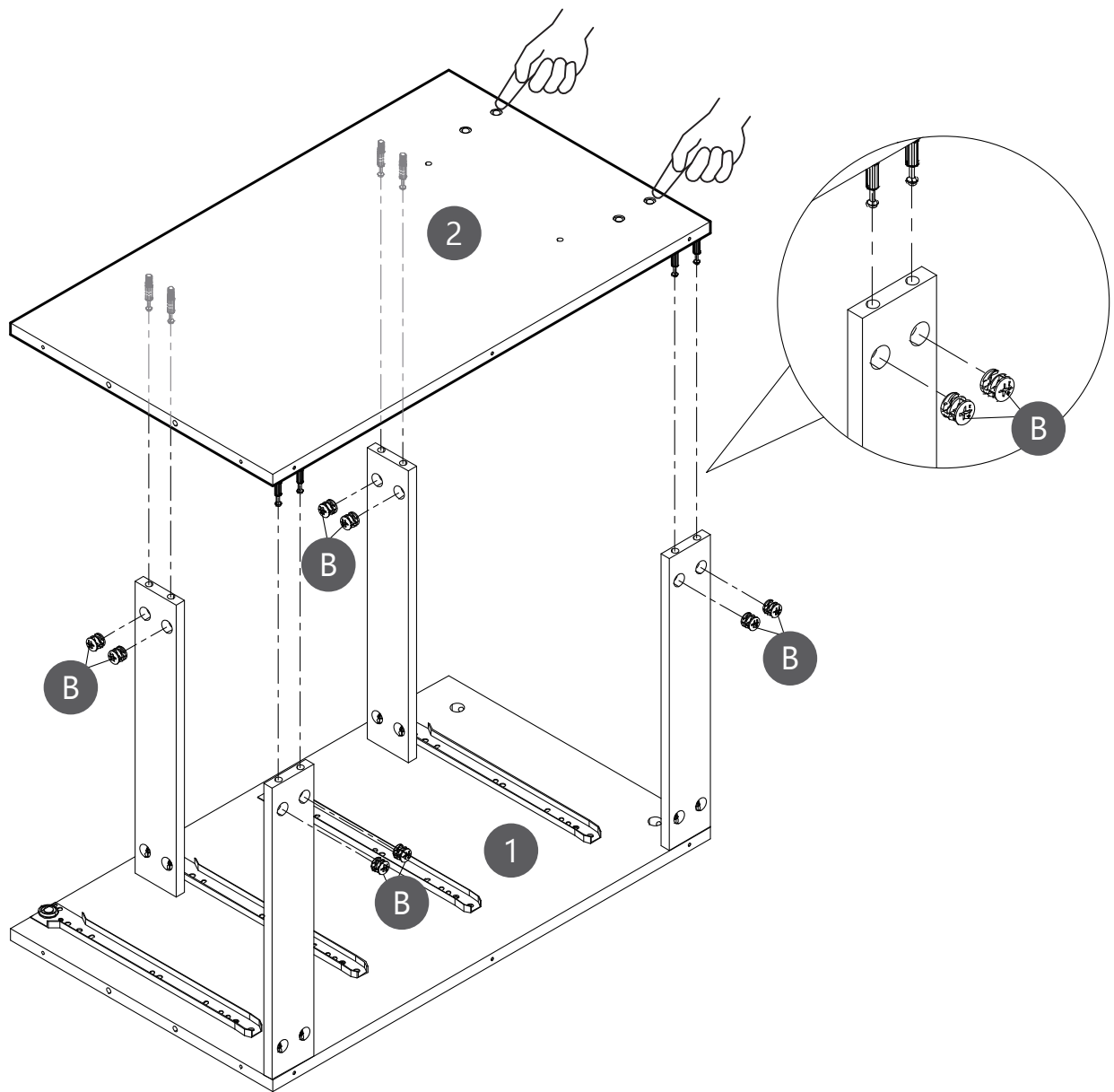
Step 8

Attach Board (9) to Board (4). Using Cam Lock (B)
secure Board (9) to Board (4).



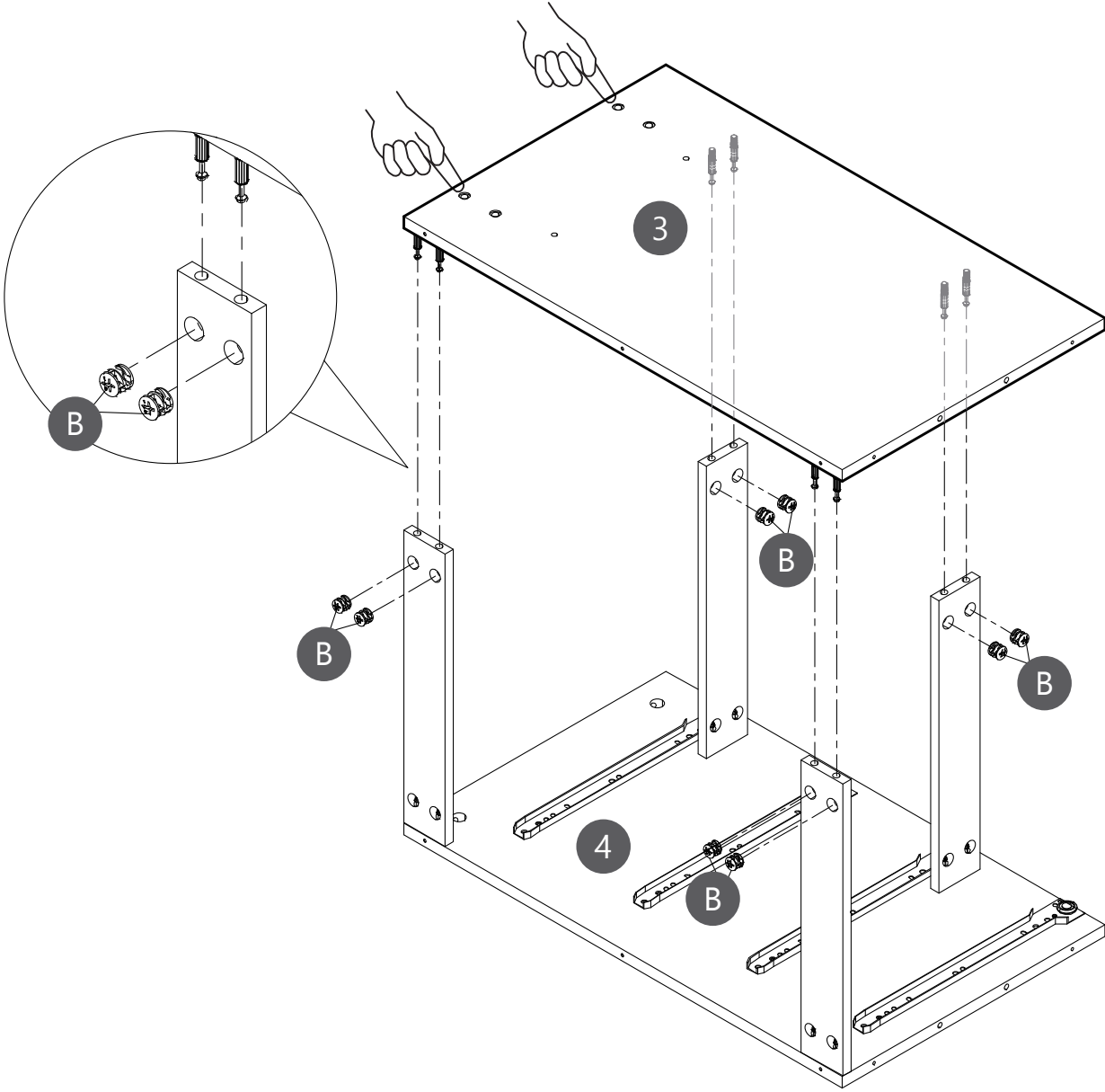
Step 9

Attach Board (2) to Board (9). Using Cam Lock (B) secure Board (2) to Board (9).

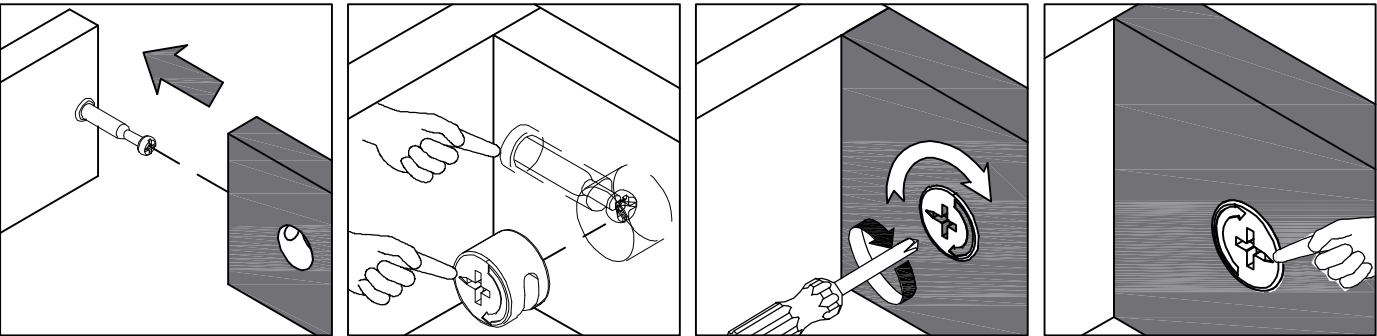


Step 10

Attach Board (3) to Board (9). Using Cam Lock (B) secure Board (3) to Board (9).

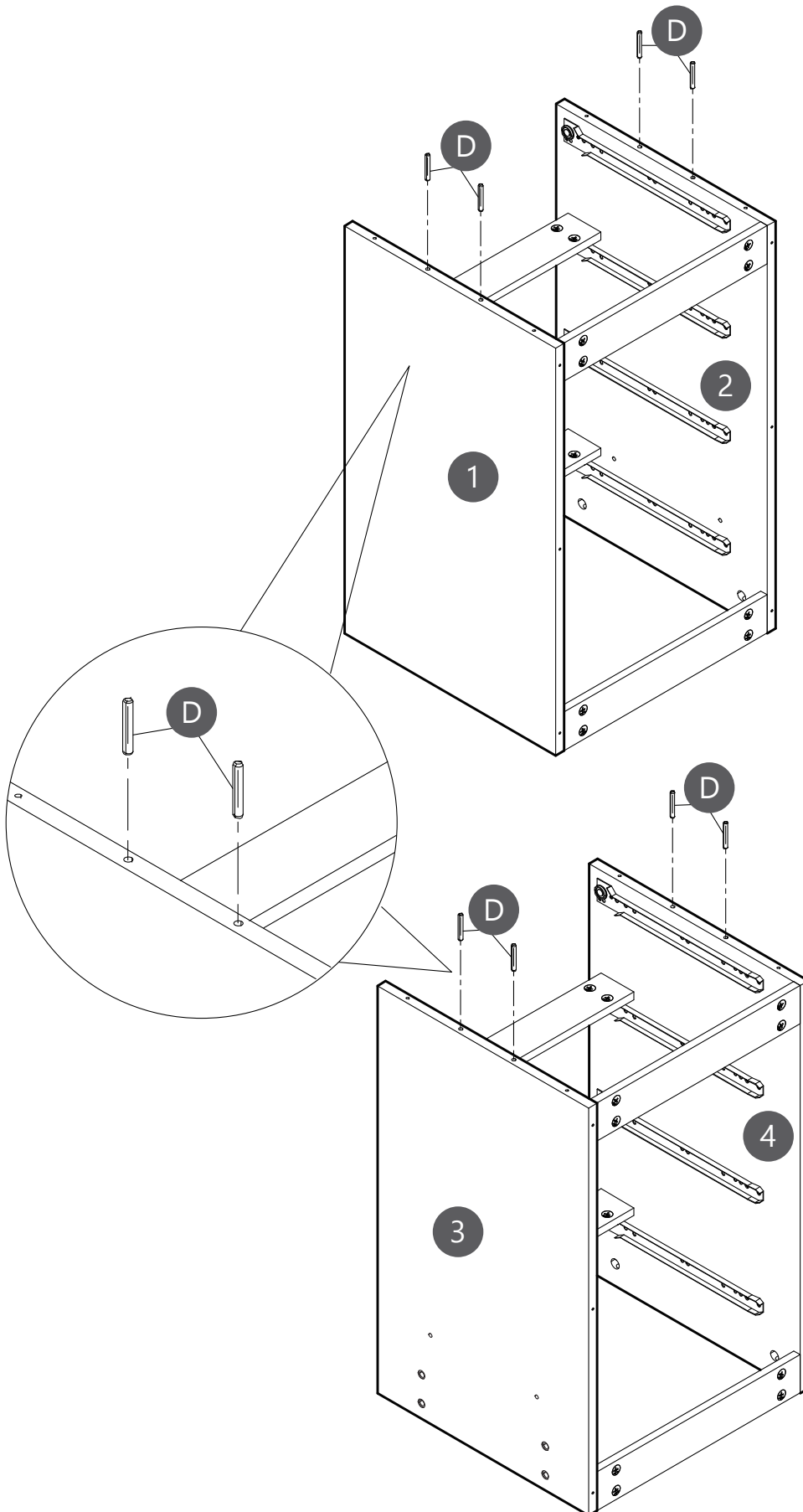


B  x 8



Step 11

Inserting Wooden Dowel (D) into Board (①&②&③&④).



Step 12

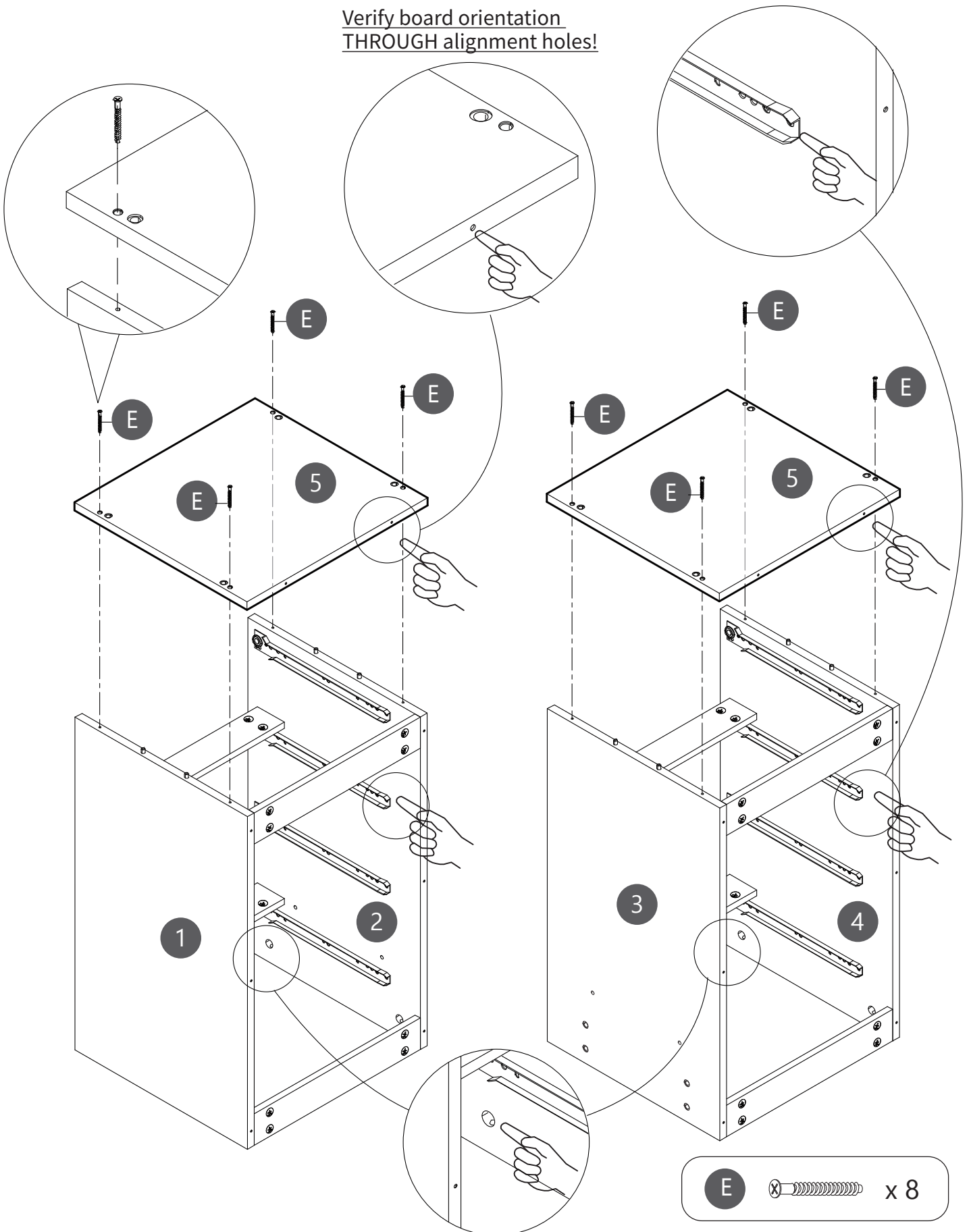
Using Screws (E) to assemble Board (5) to the Board (1&2&3&4).

! ORIENTATION ALERT

Verify board orientation
THROUGH alignment holes!

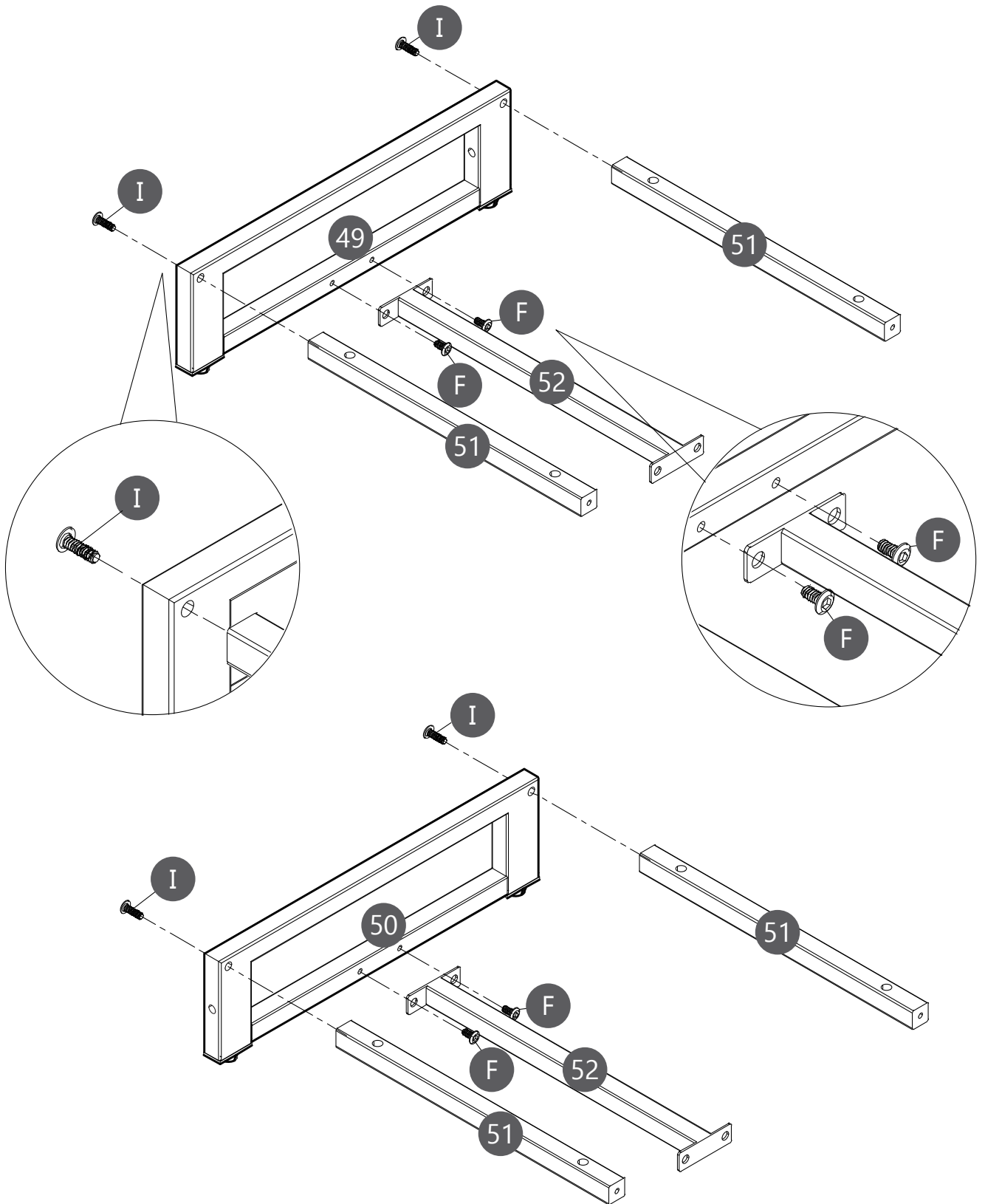
! ORIENTATION ALERT



Confirm board orientation
USING slide rails!



Step 13

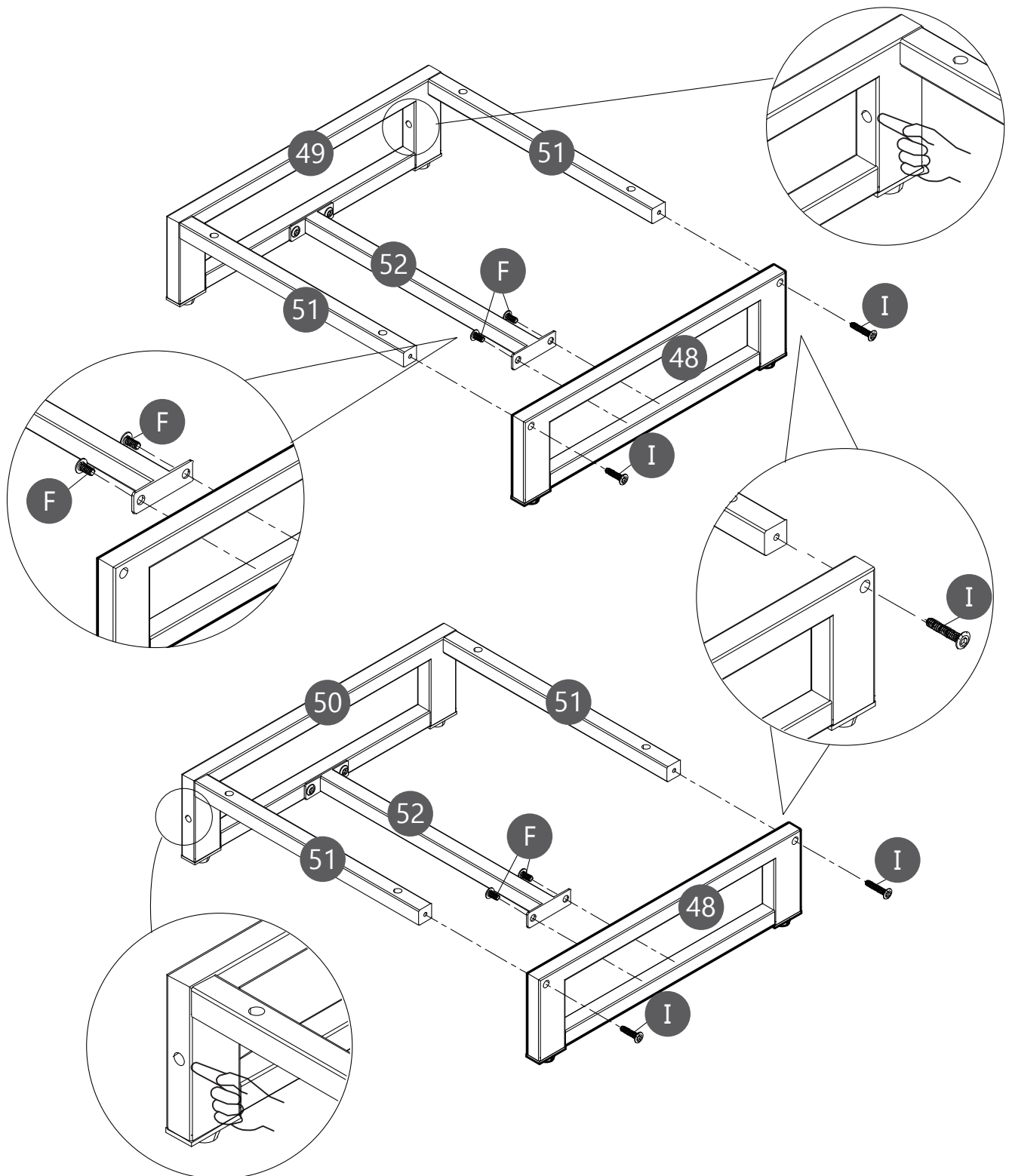
Using Screws (I & F) to assemble Metal Pipe (51 & 52) to the Metal Pipe (49 & 50).





I		x 4
F		x 4

Step 14

Using Screws (I & F) to assemble Metal Pipe (48) to the Metal Pipe (51 & 52).

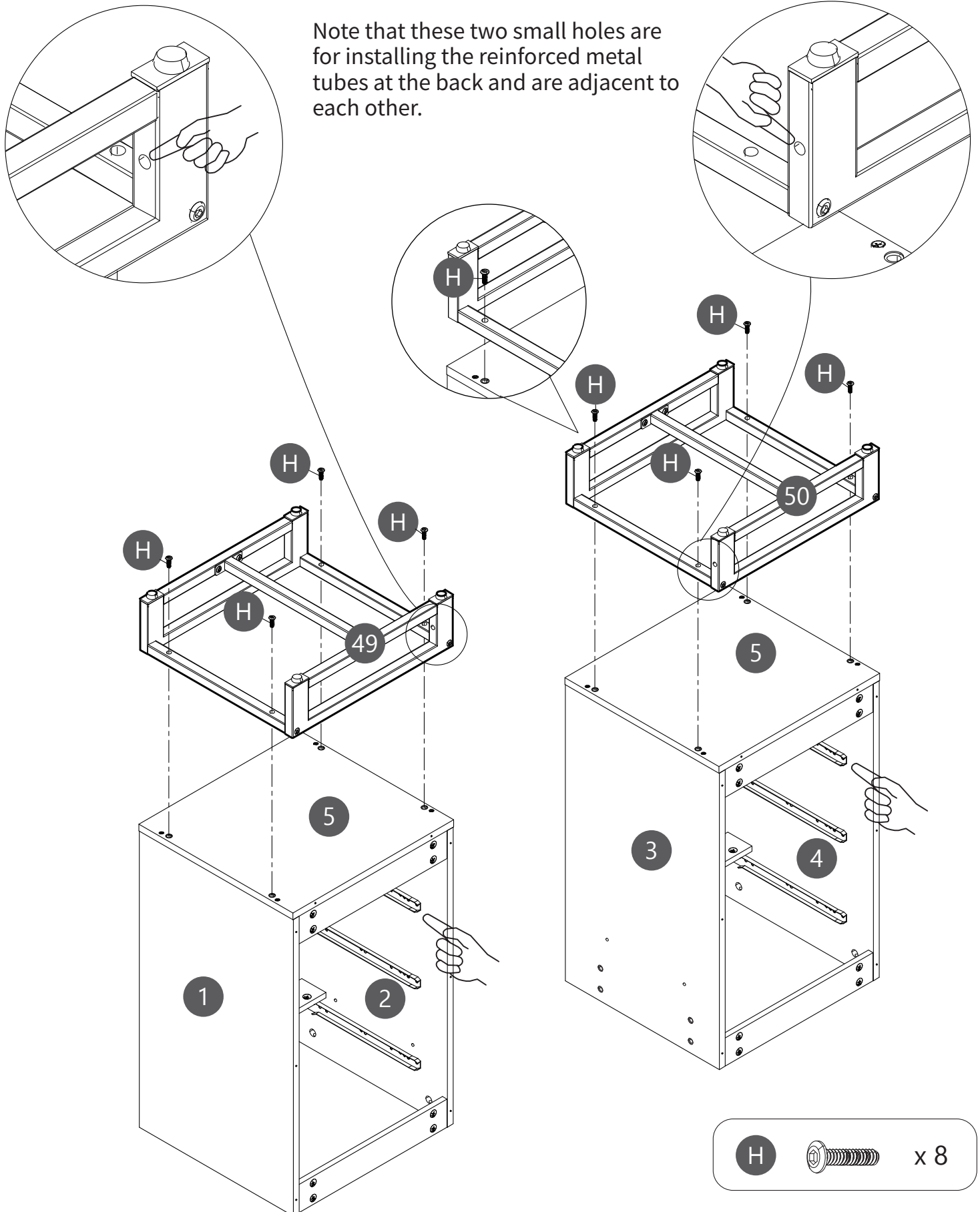


I		x 4
F		x 4

Step 15

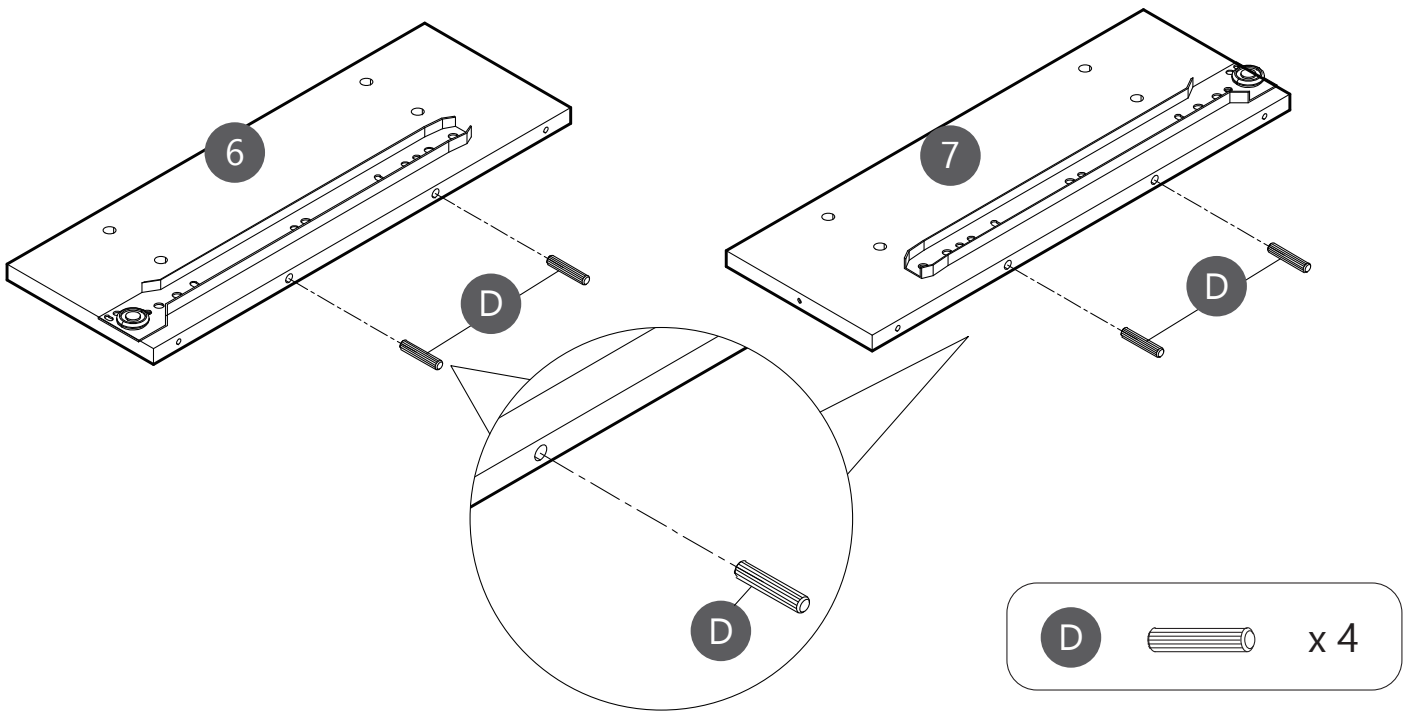
Use Screws (H) to tighten the Steel Base (49 & 50) with main dresser frame.

Note that these two small holes are for installing the reinforced metal tubes at the back and are adjacent to each other.



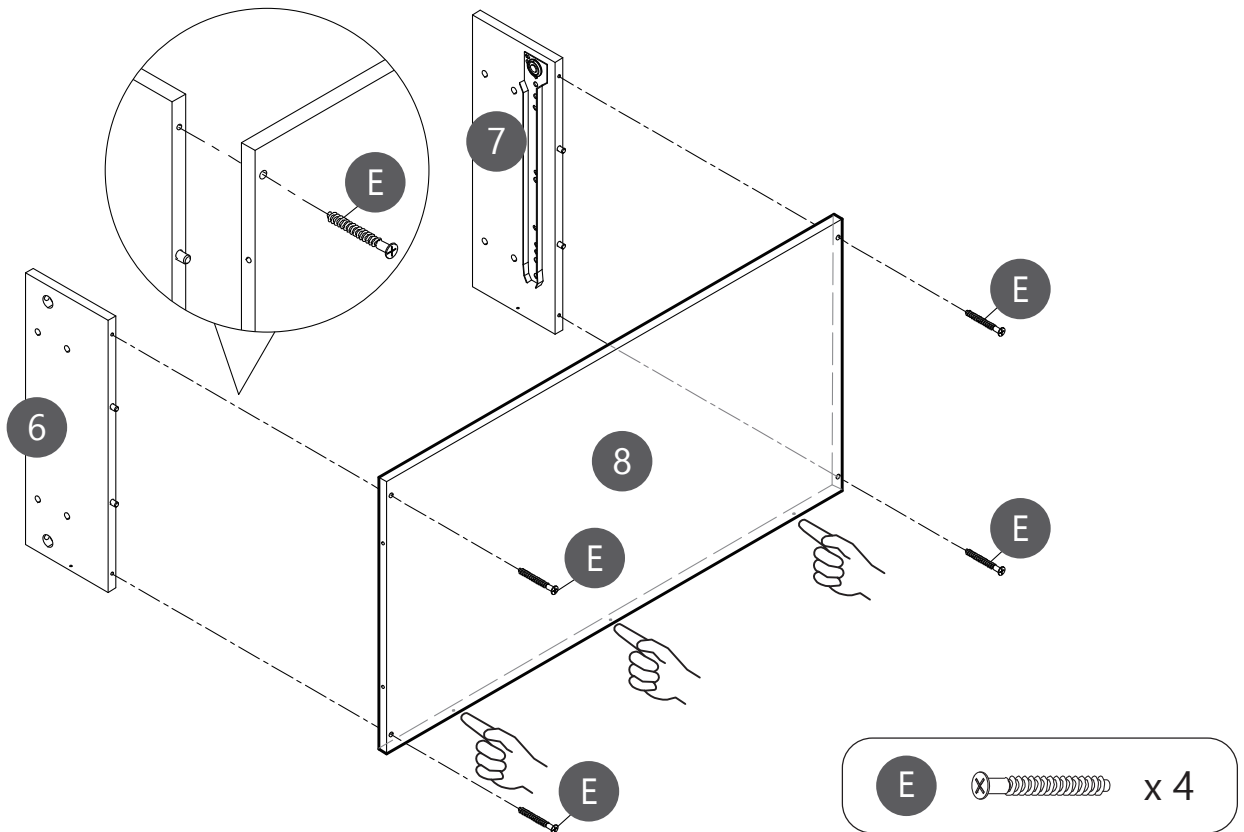
Step 16

Inserting Wooden Dowel (D) into Board (6&7)



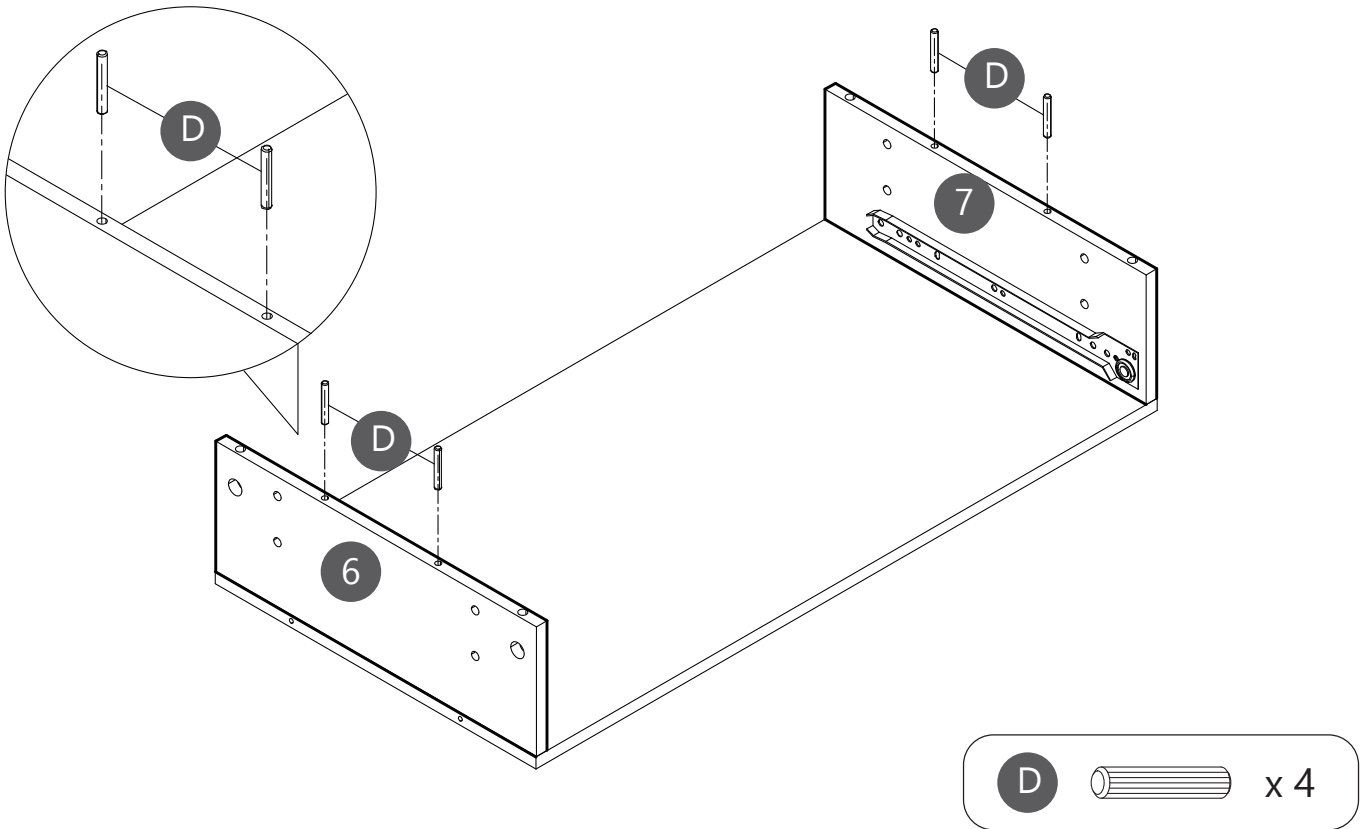
Step 17

Using Screws (E) secure Board (6&7) to Board (8).



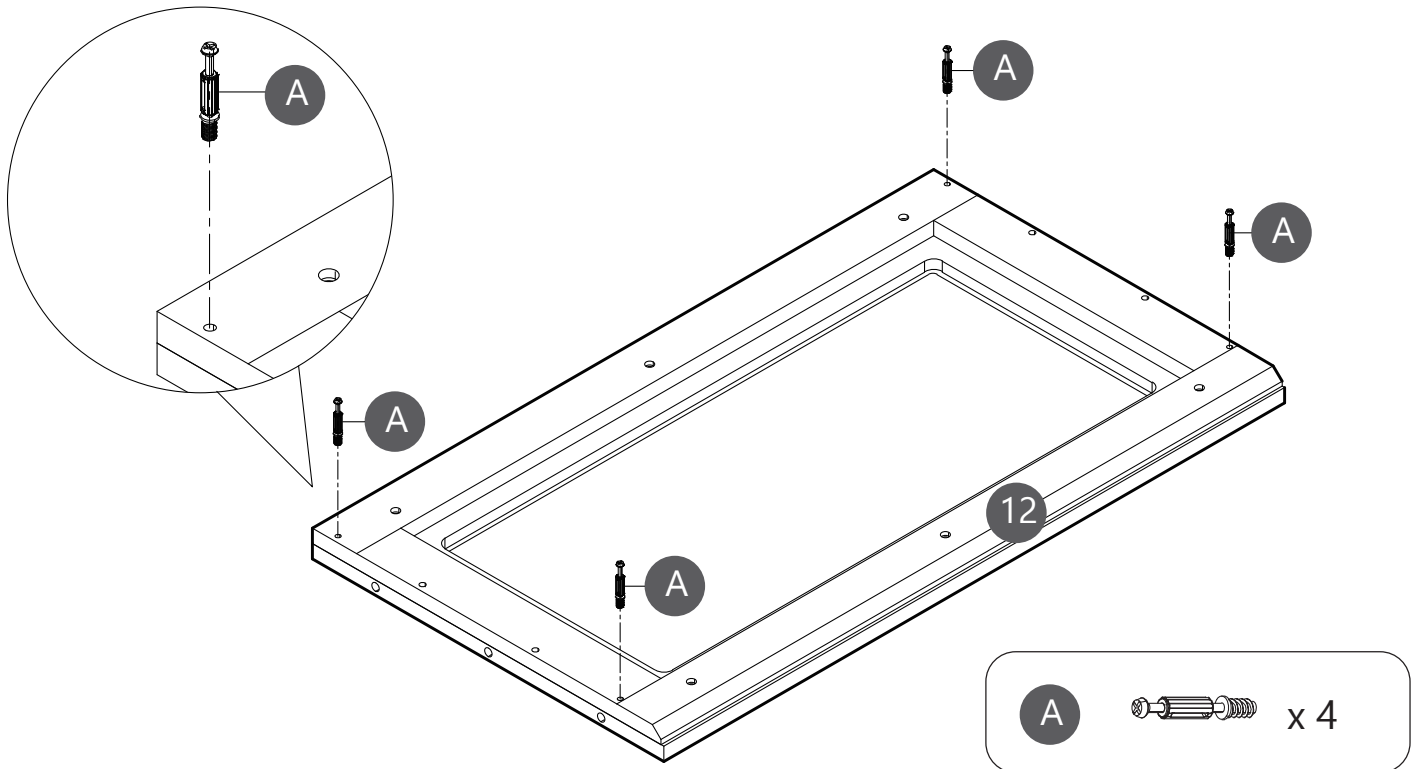
Step 18

Inserting Wooden Dowel (D) into Board (⑥&⑦)



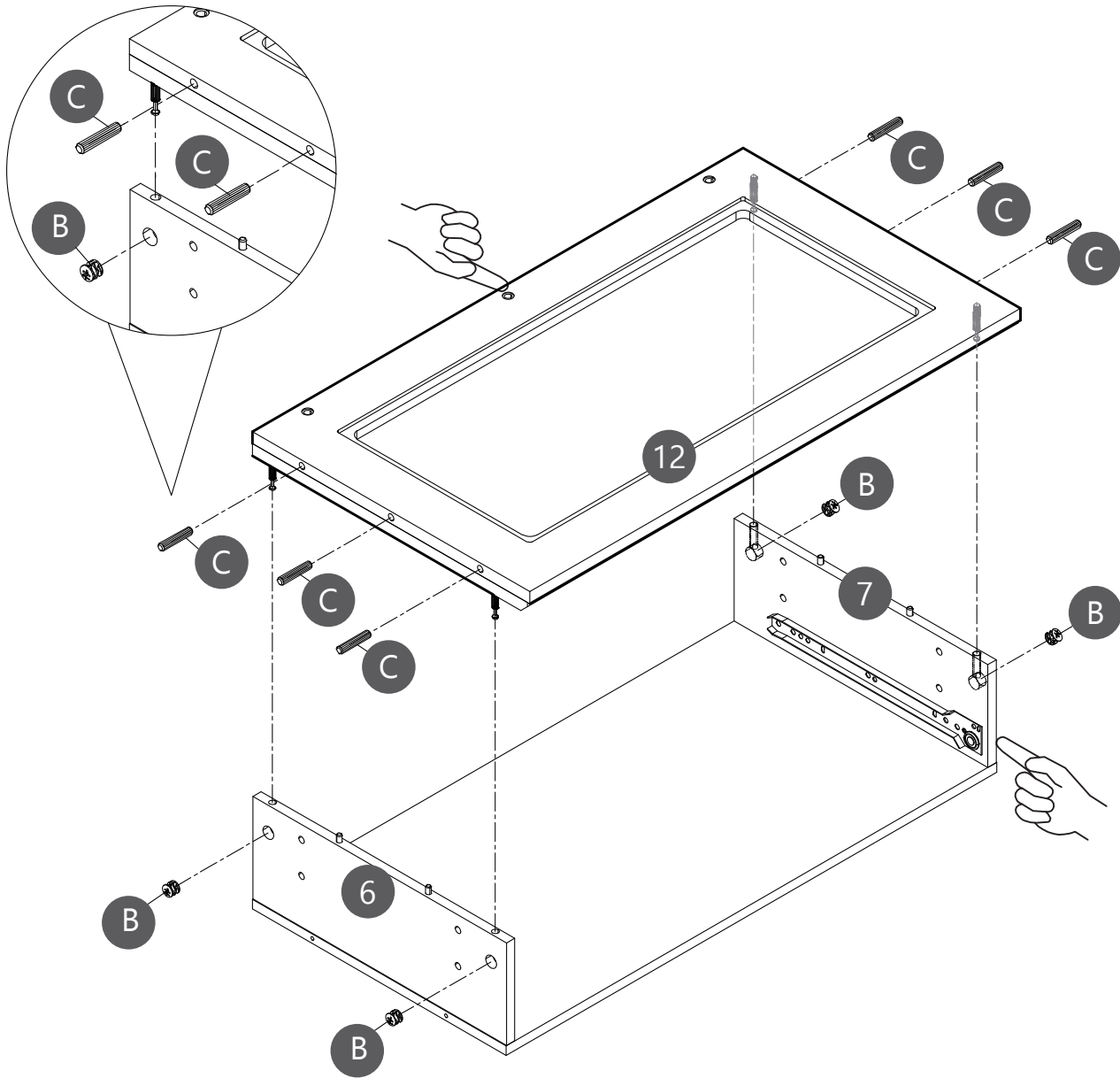
Step 19



Securing Cam Bolt (A) into Board (⑫).

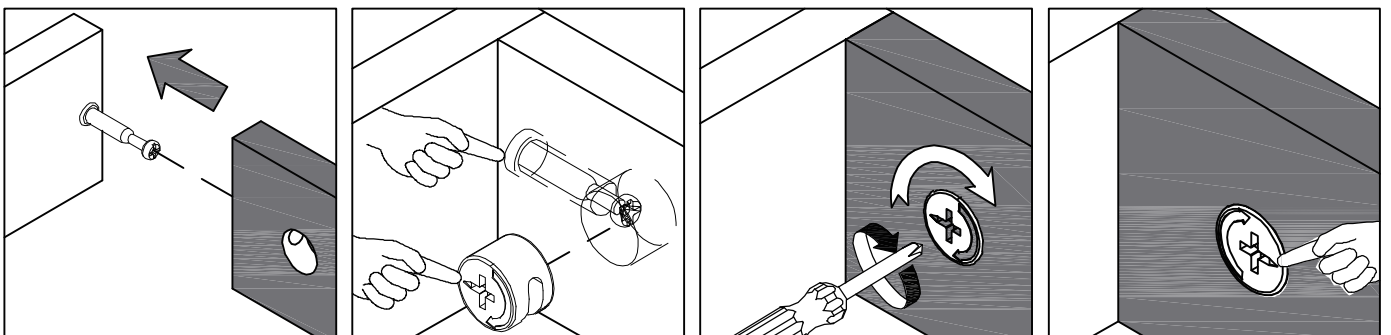


Step 20

Inserting Wooden Dowel (C) into Board (12), then attach Board (12) to Board (6&7).
Using Cam Lock (B) secure Board (12) to Board (6&7).

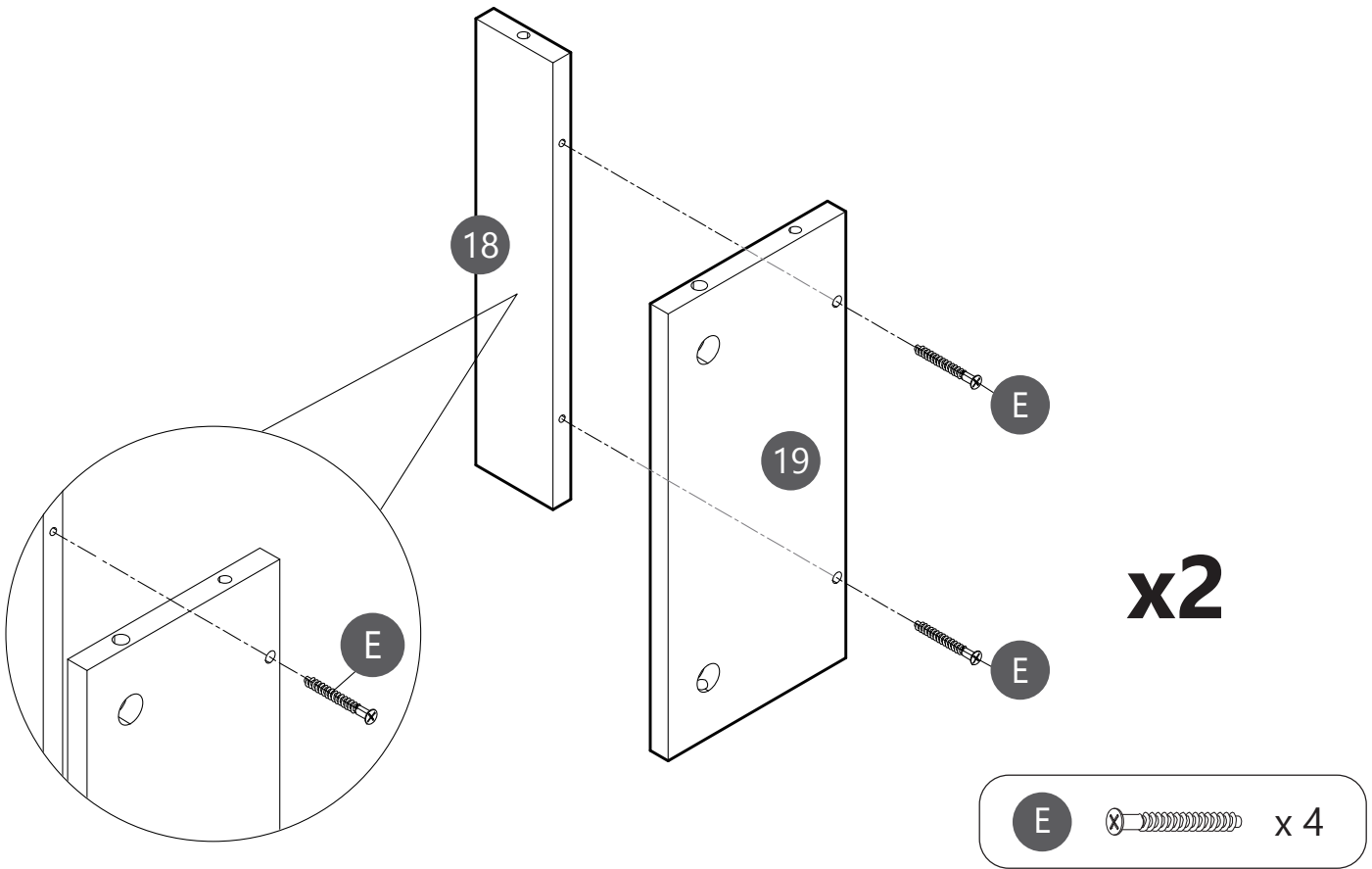


B		x 4
C		x 6



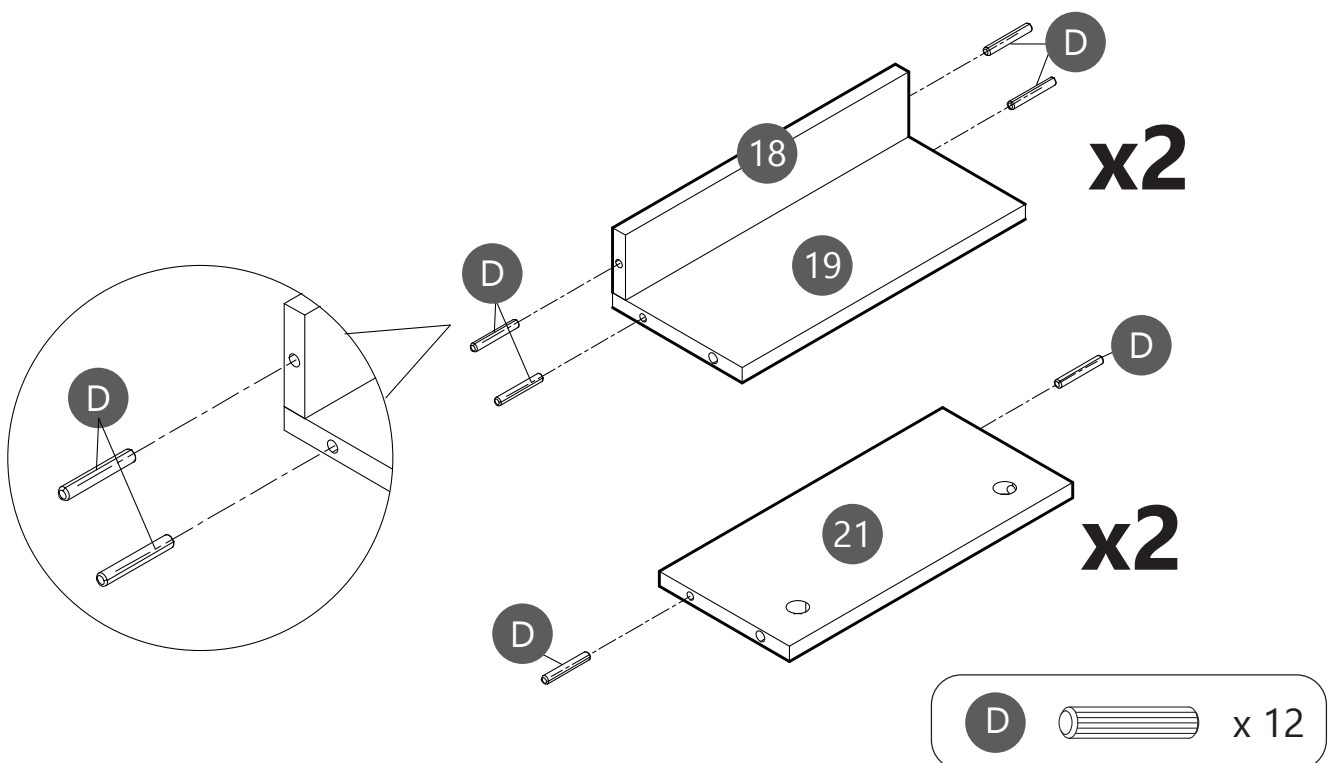
Step 21

Using Screws (E) secure Board (19) to Board (18).



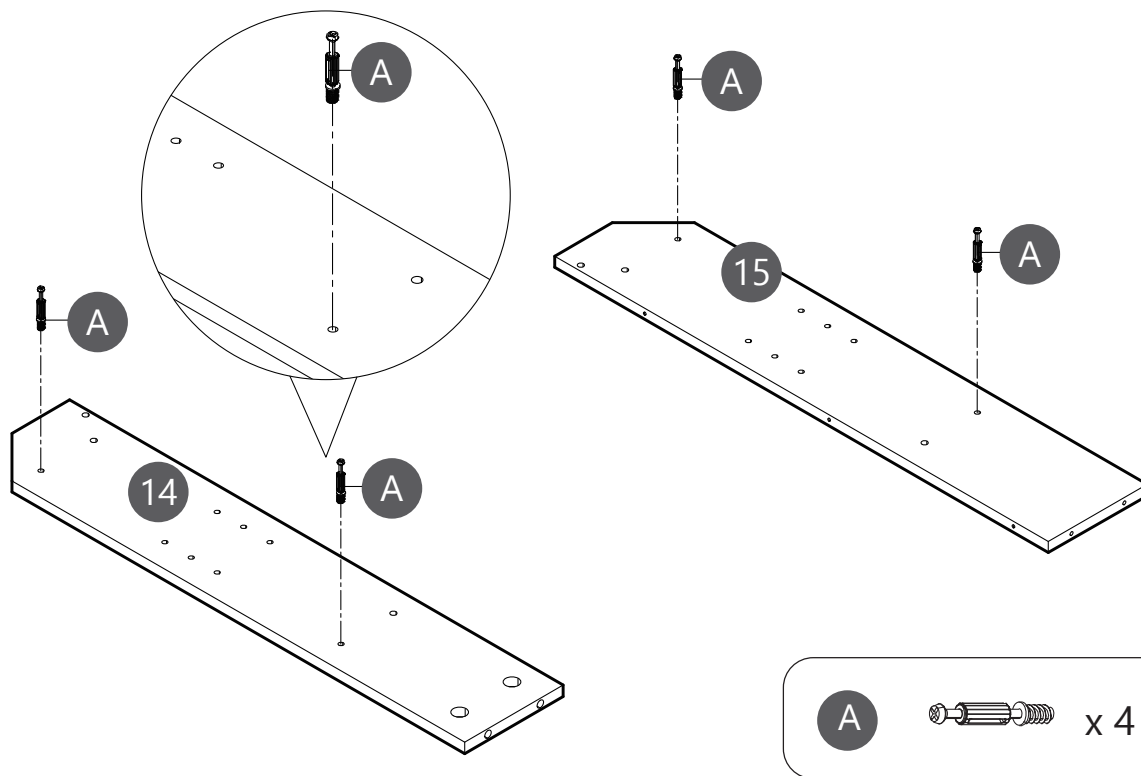
Step 22

Inserting Wooden Dowel (D) into Board (18&19&21)



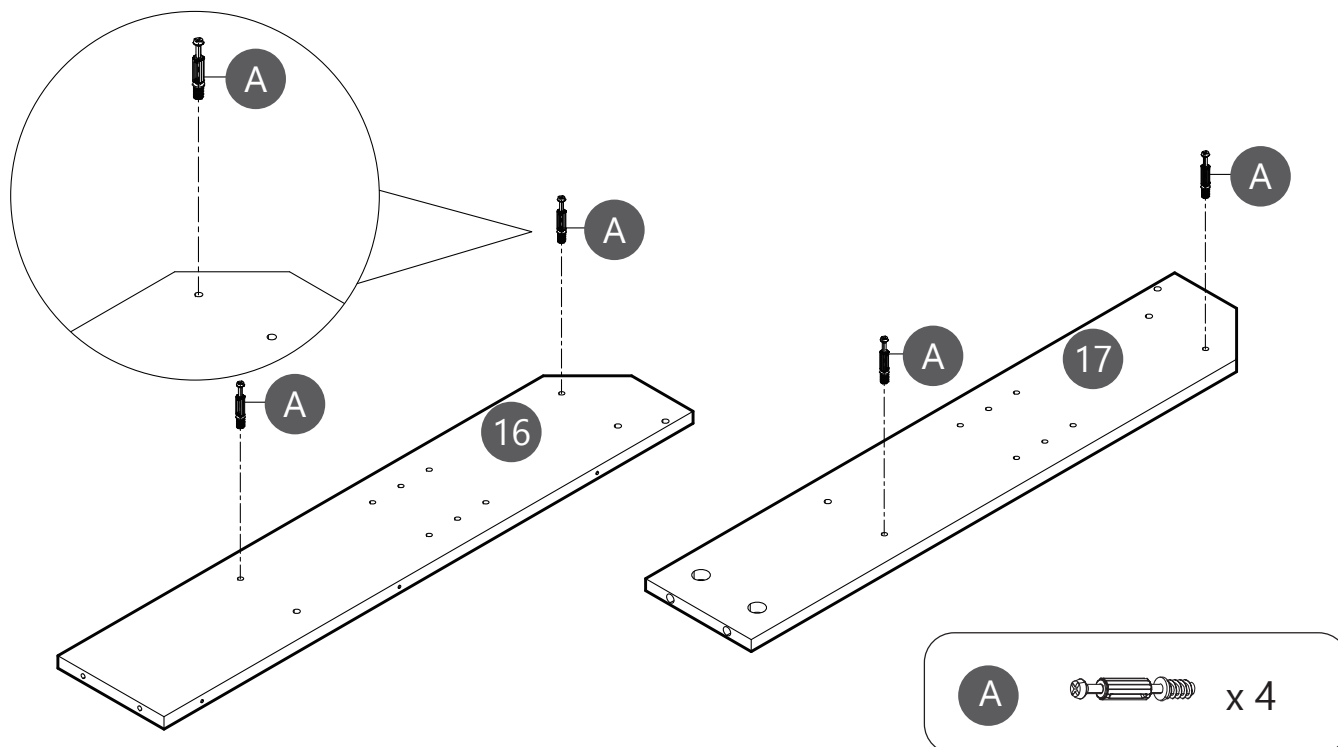
Step 23

Securing Cam Bolt (A) into Board (14&15).



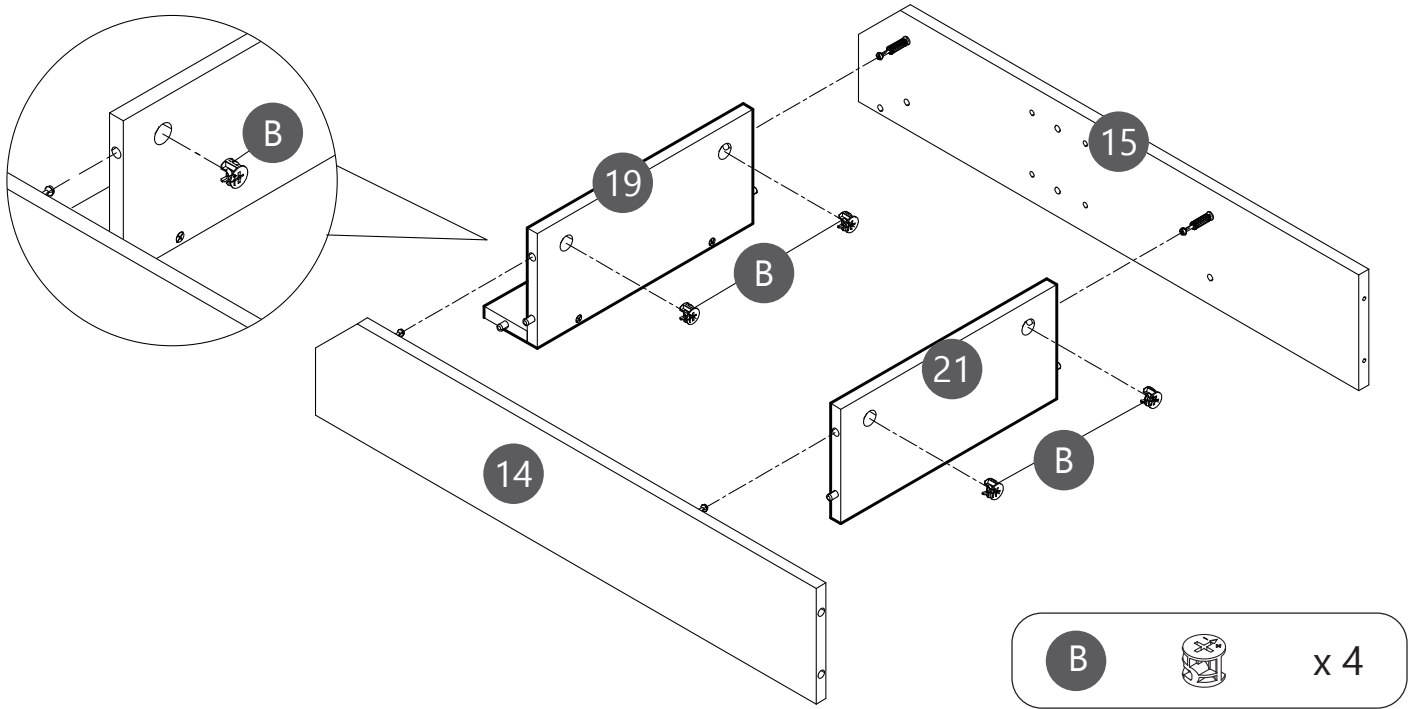
Step 24

Securing Cam Bolt (A) into Board (16&17).



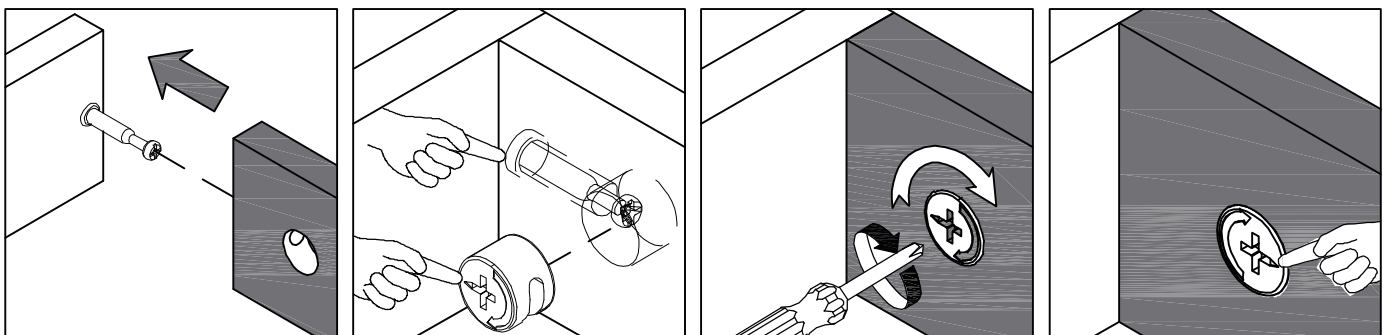
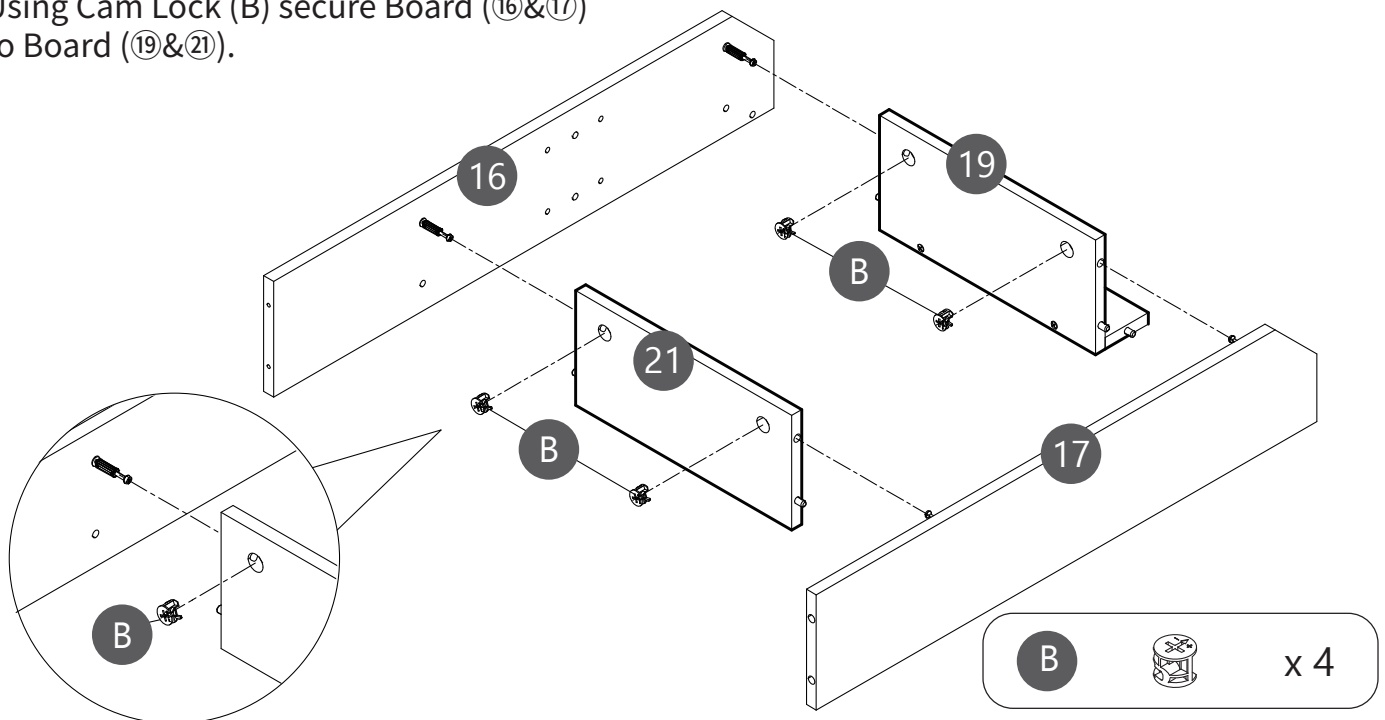
Step 25

Using Cam Lock (B) secure Board (14&15) to Board (19&21).



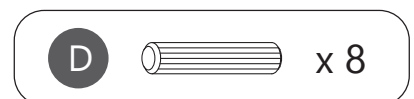
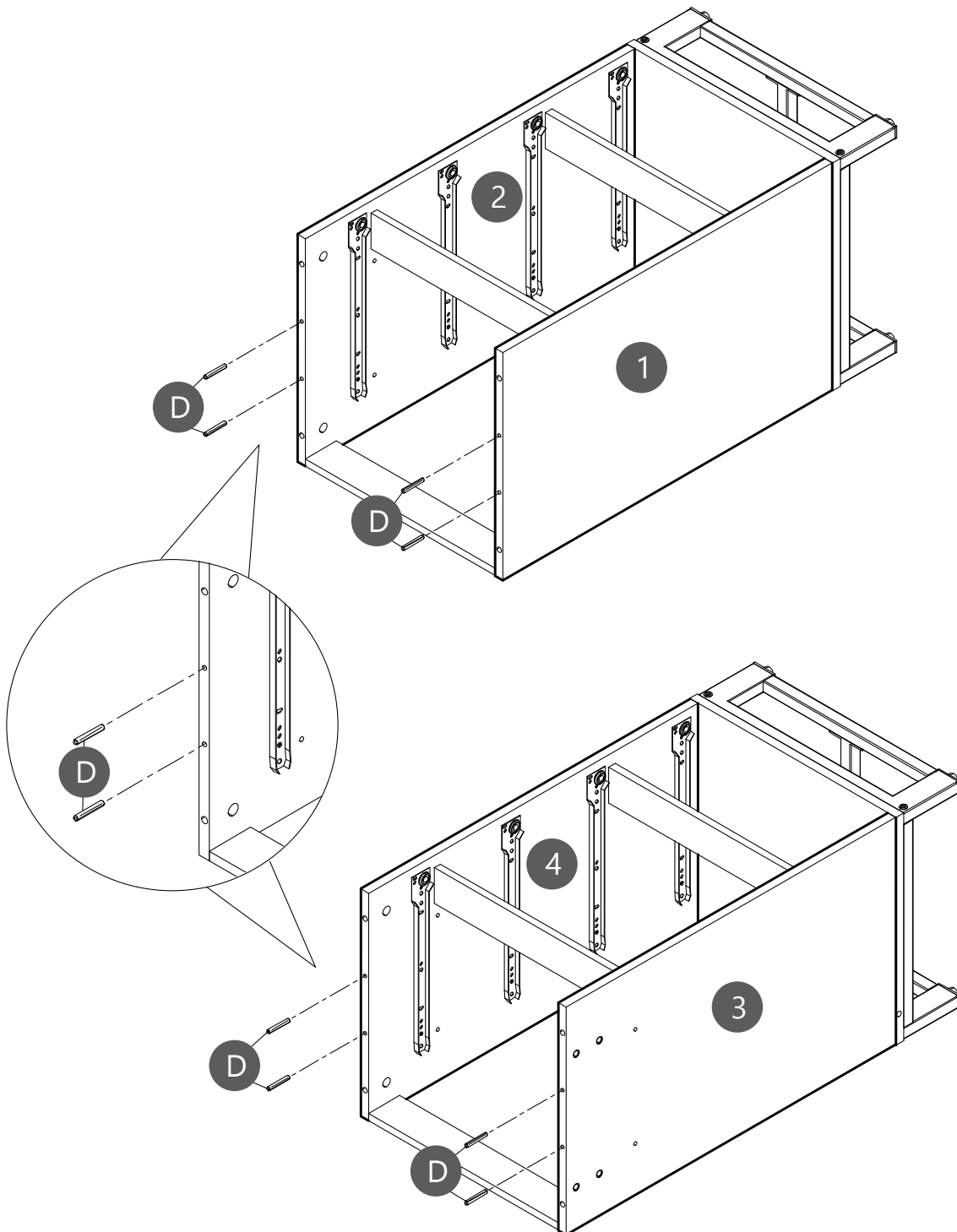
Step 26

Using Cam Lock (B) secure Board (16&17) to Board (19&21).



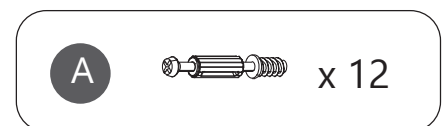
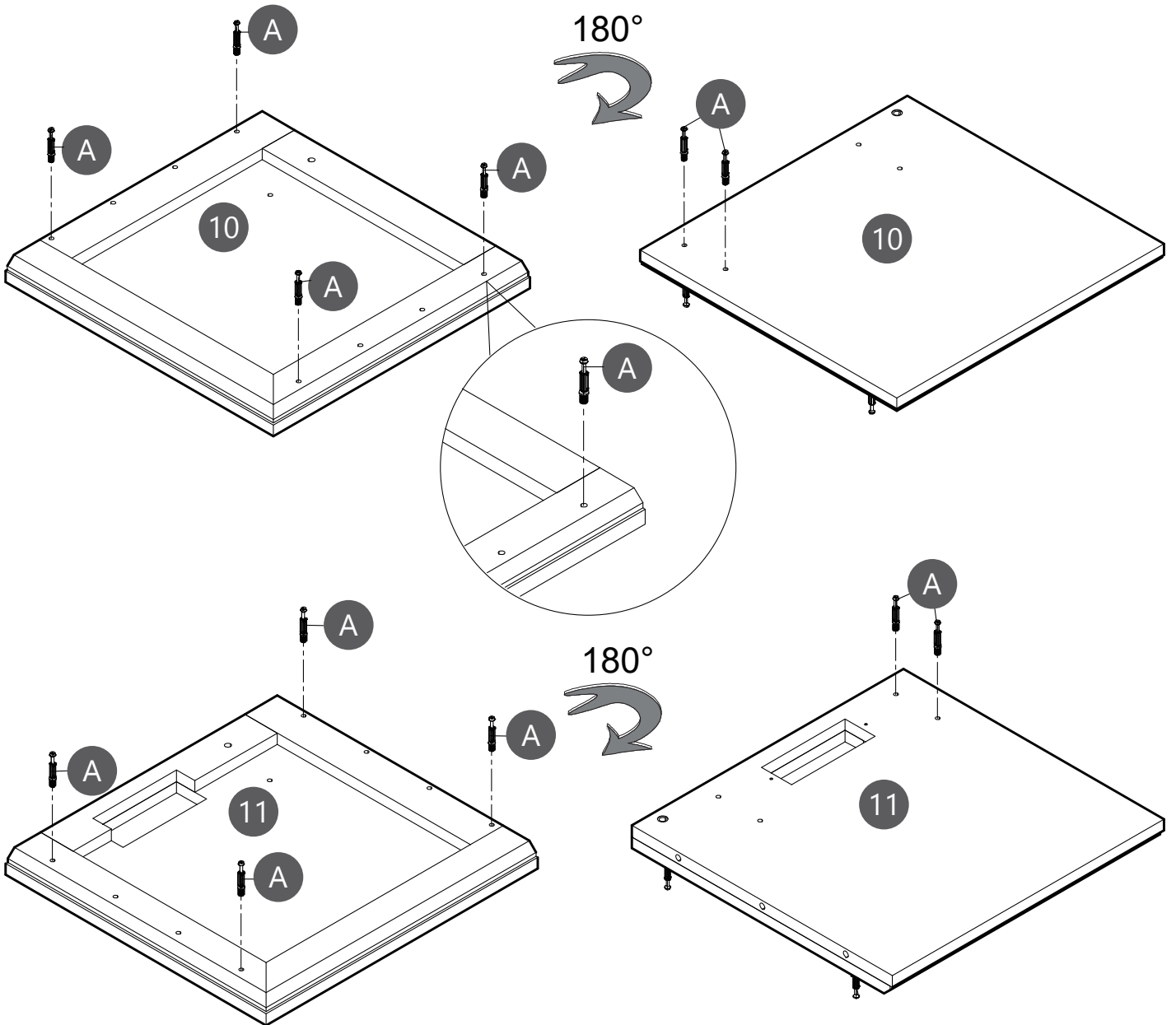
Step 27

Inserting Wooden Dowel (D) into Board (①&②&③&④)



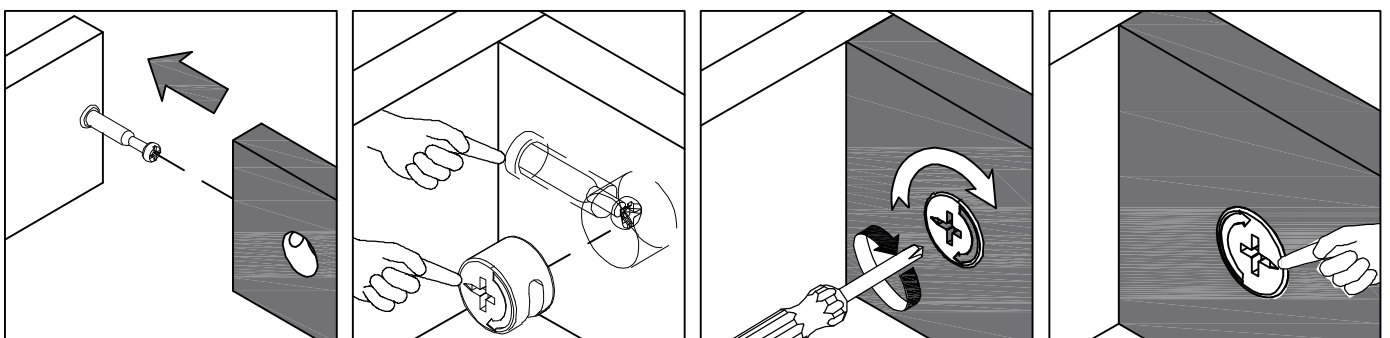
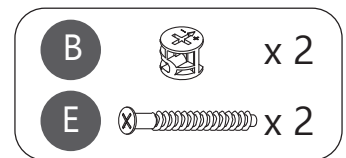
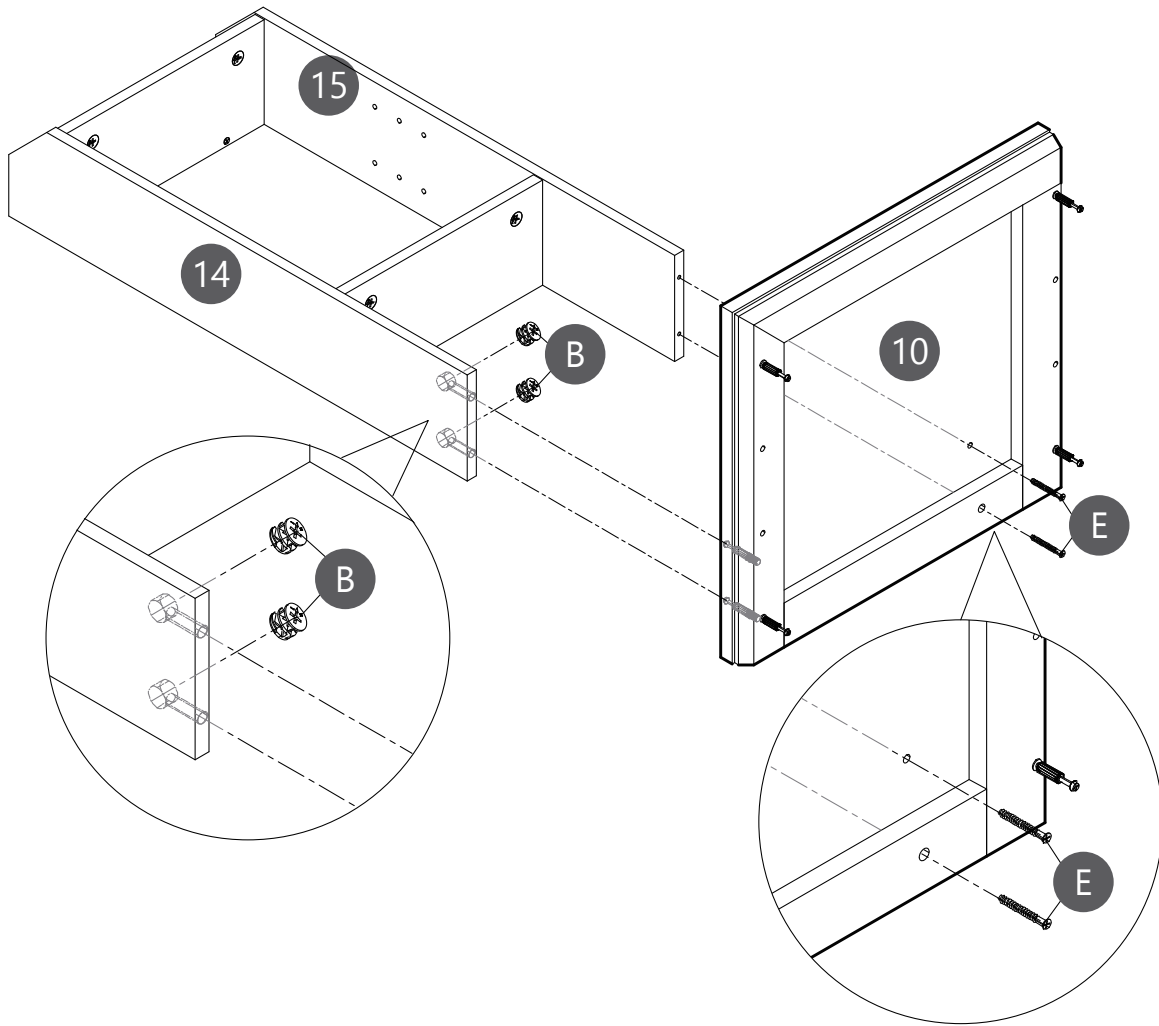
Step 28

Securing Cam Bolt (A) into Board (10&11).



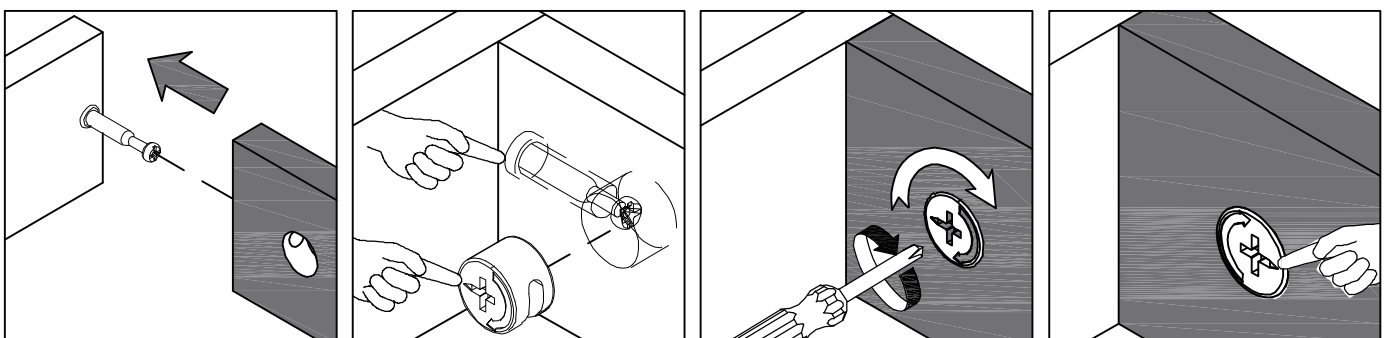
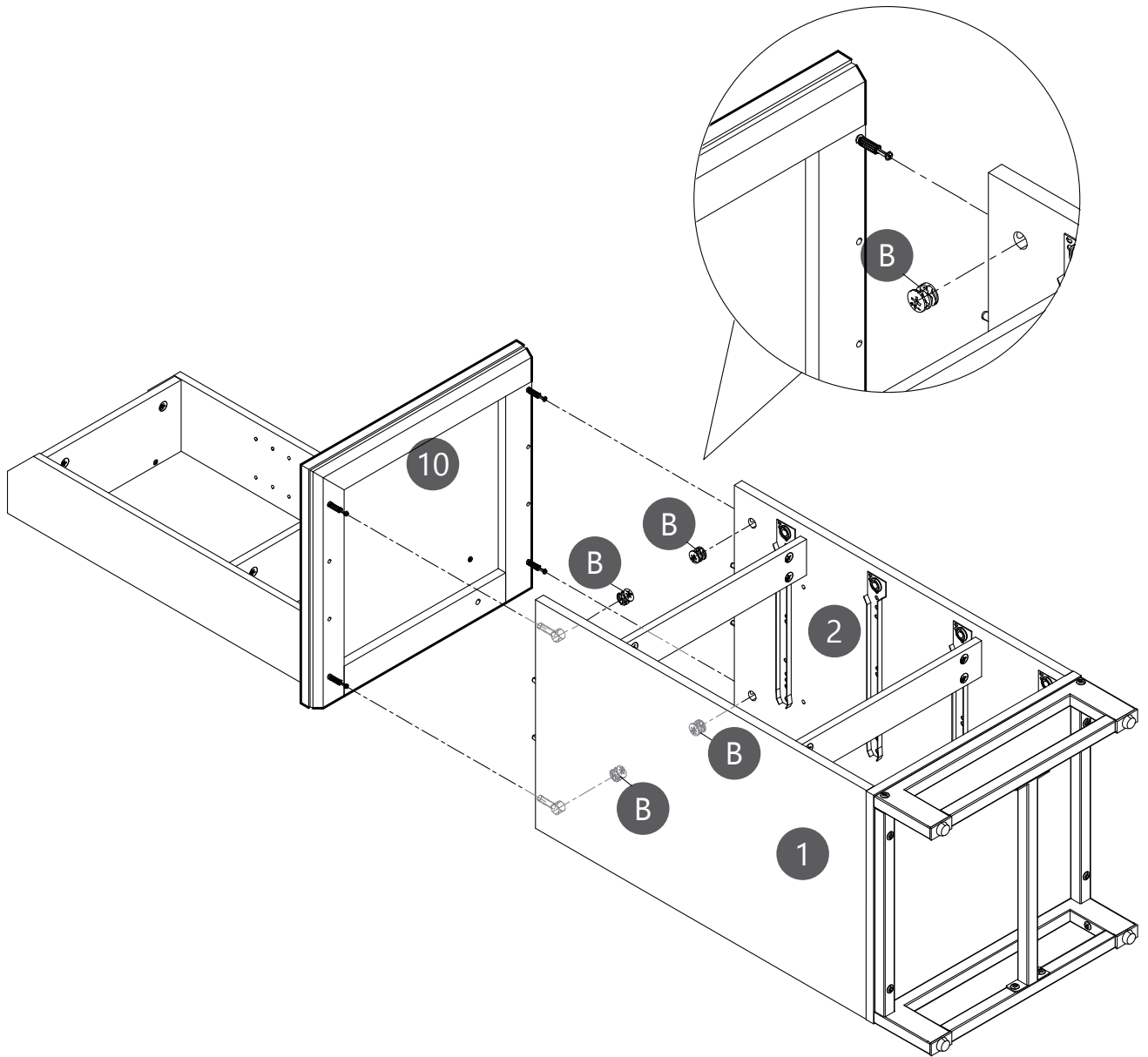
Step 29

Using Screws (E) secure Board (10) to Board (15). Using Cam Lock (B) secure Board (10) to Board (14&15).



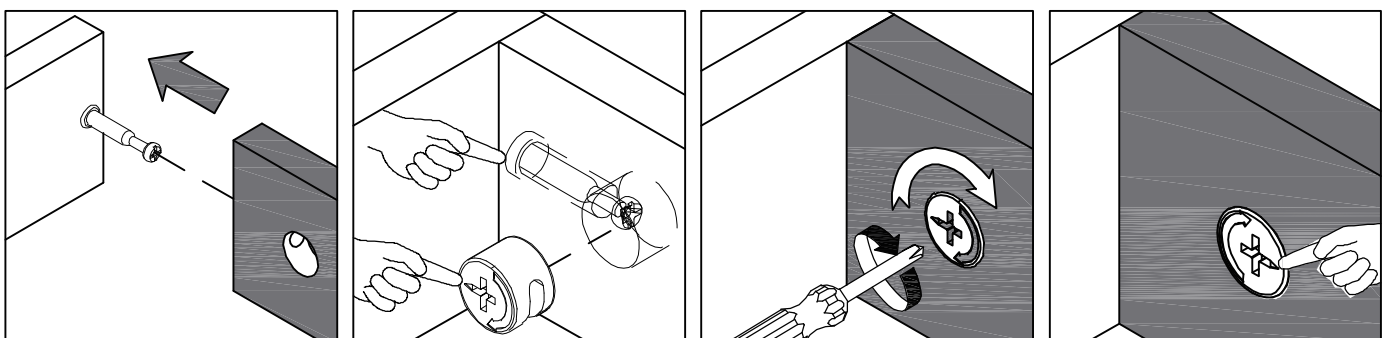
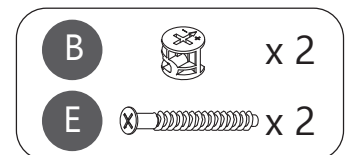
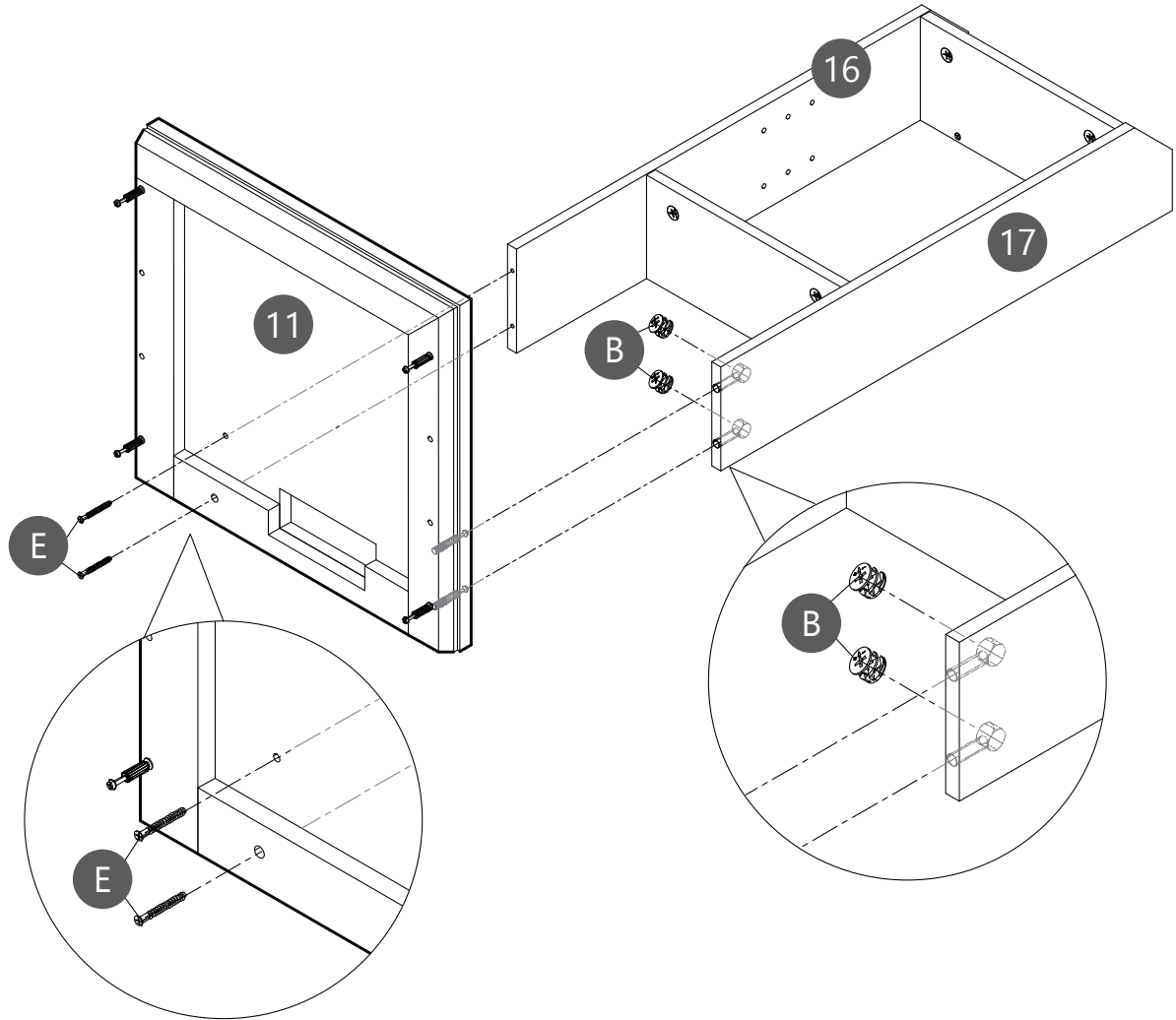
Step 30

Using Cam Lock (B) secure Board (10) to Board (1&2).



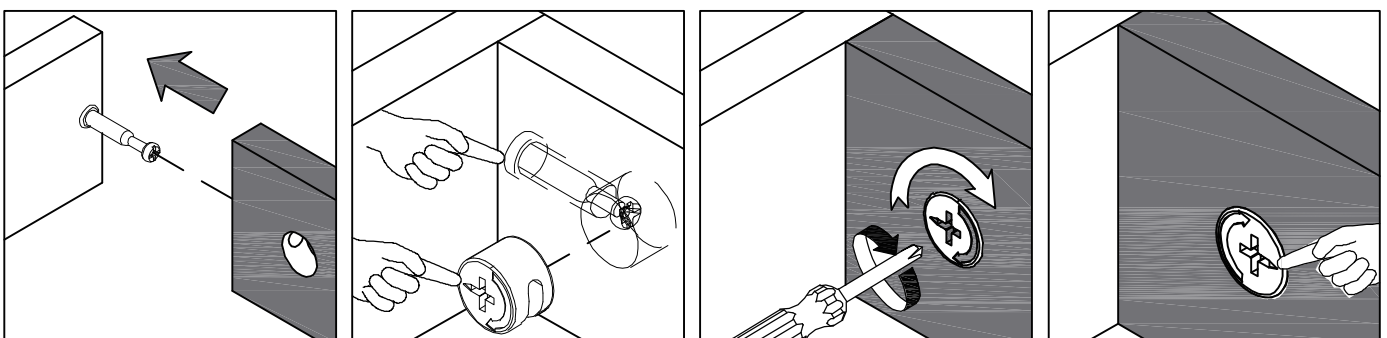
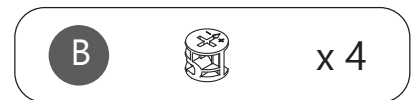
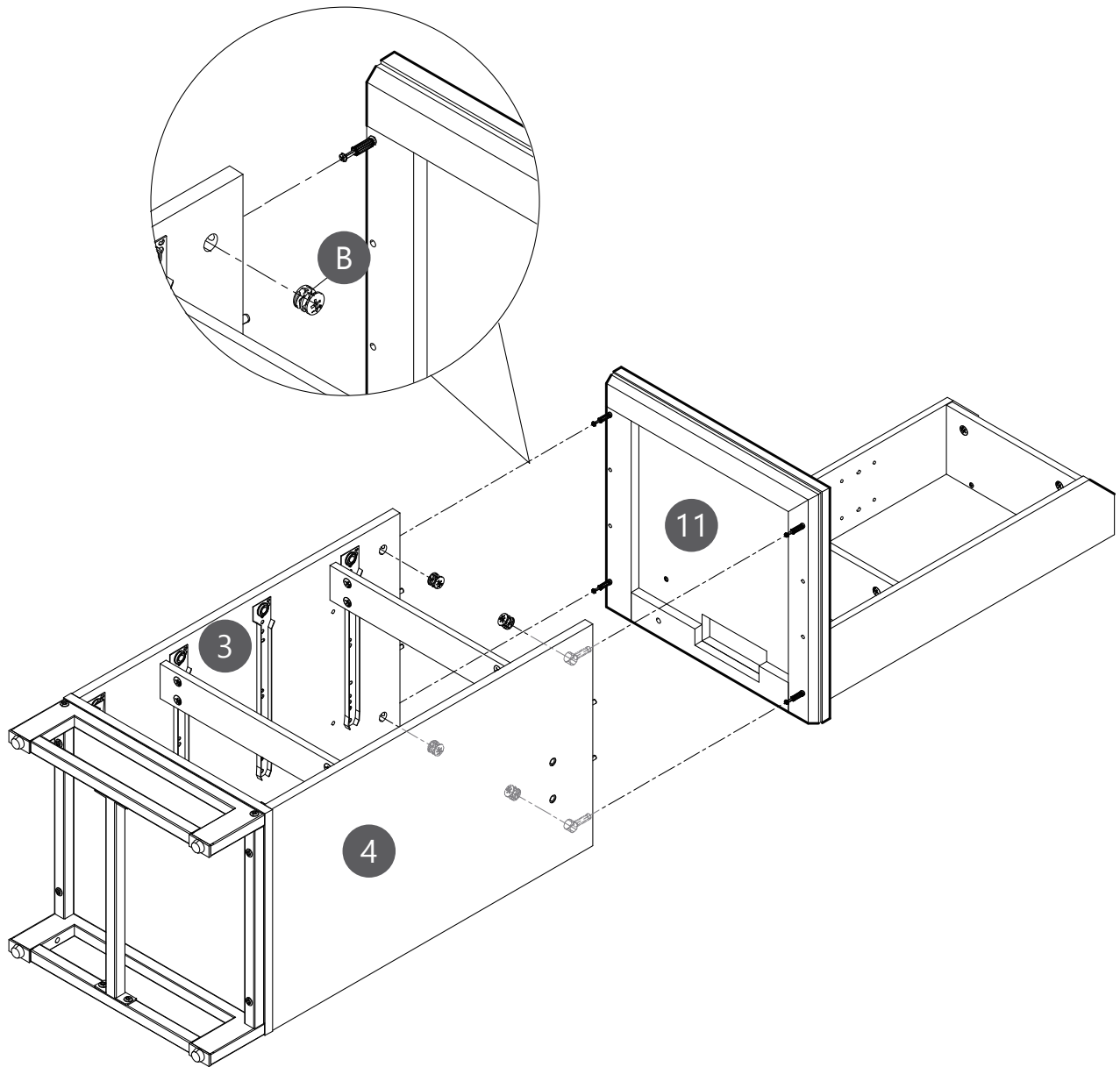
Step 31

Using Screws (E) secure Board (11) to Board (16). Using Cam Lock (B) secure Board (11) to Board (16&17).



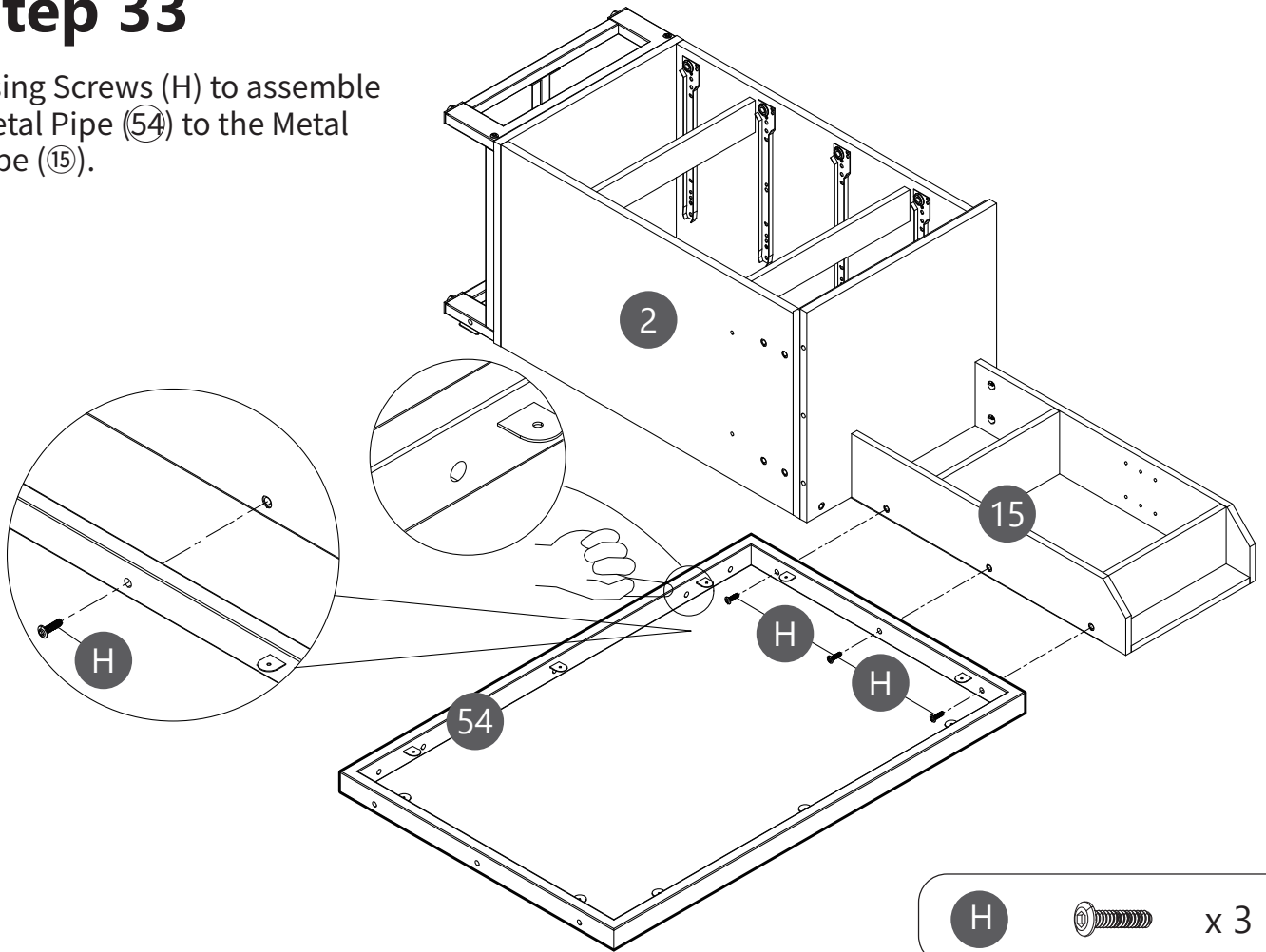
Step 32

Using Cam Lock (B) secure Board (11) to Board (3&4).



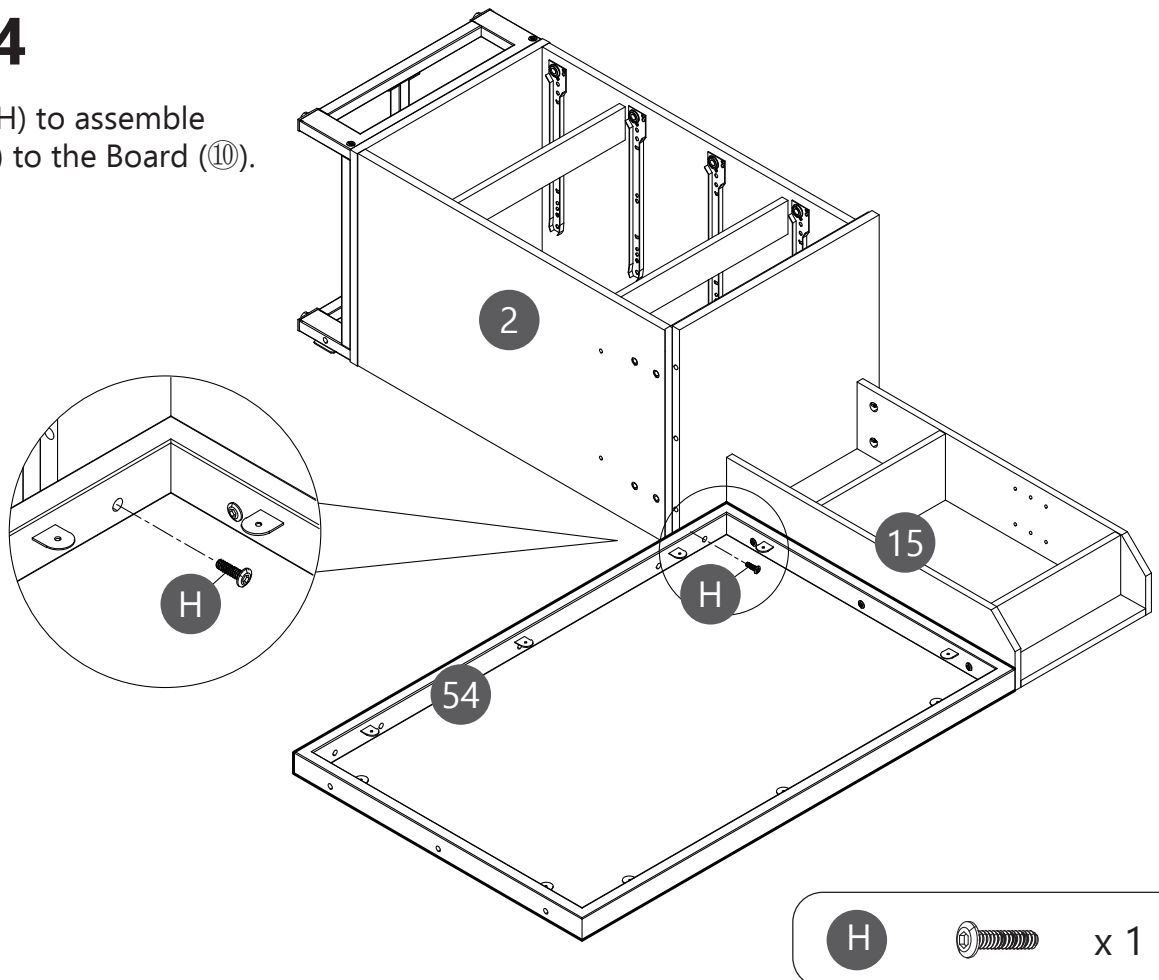
Step 33

Using Screws (H) to assemble Metal Pipe (54) to the Metal Pipe (15).



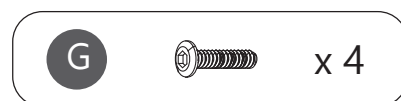
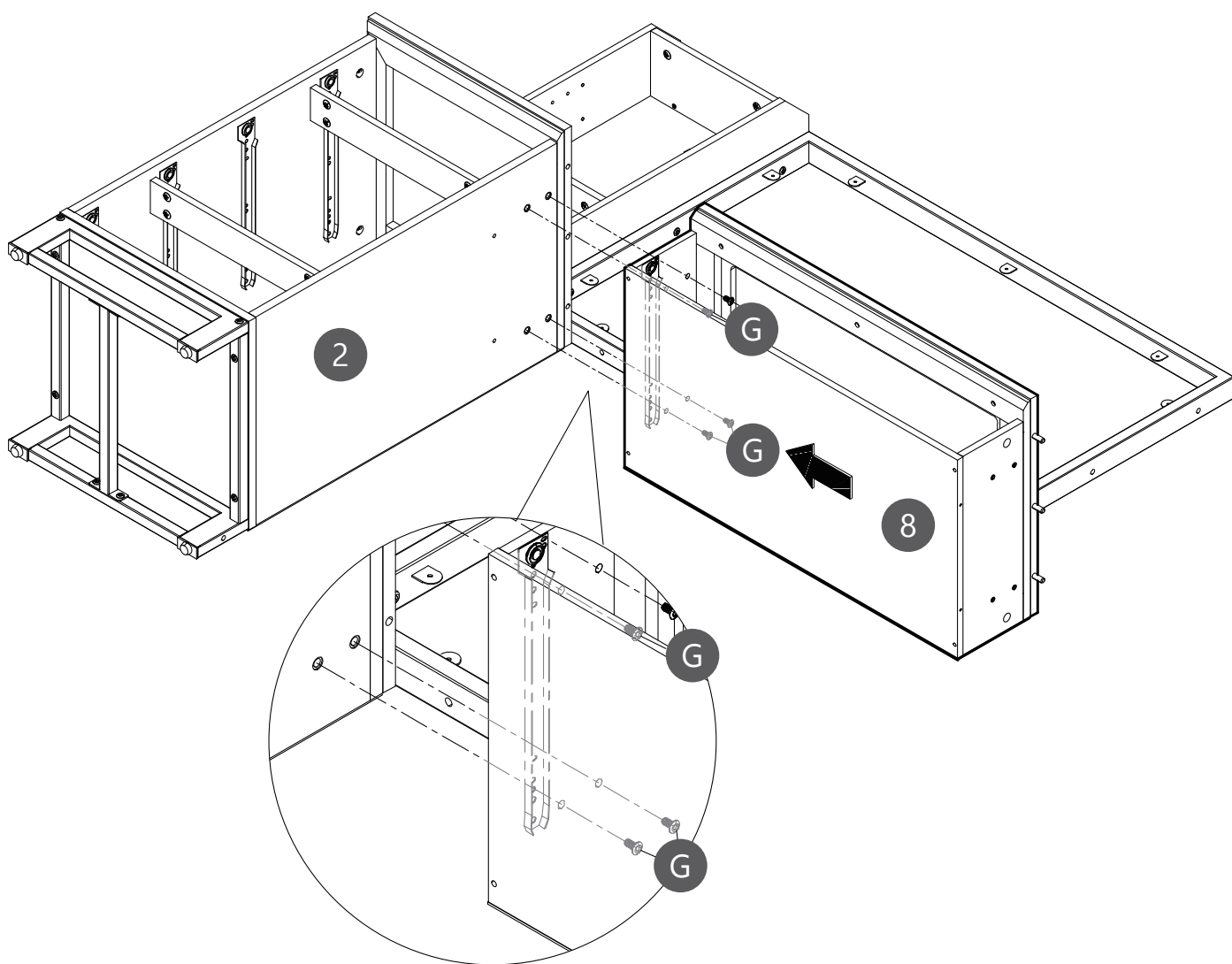
Step 34

Using Screws (H) to assemble Metal Pipe (54) to the Board (10).



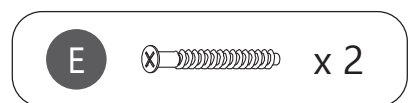
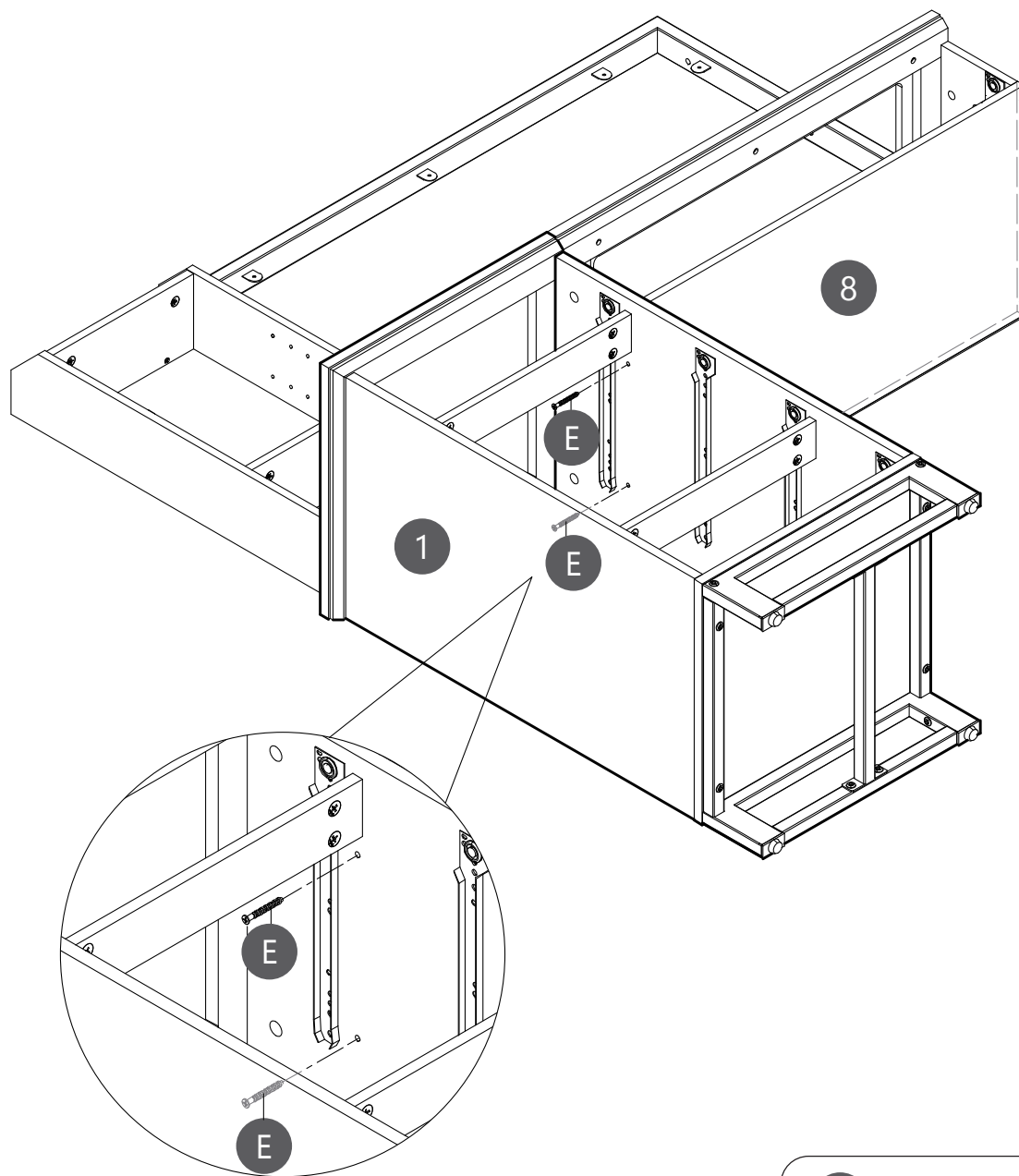
Step 35

Using Screws (G) to assemble Board (⑥) to the Board (②).



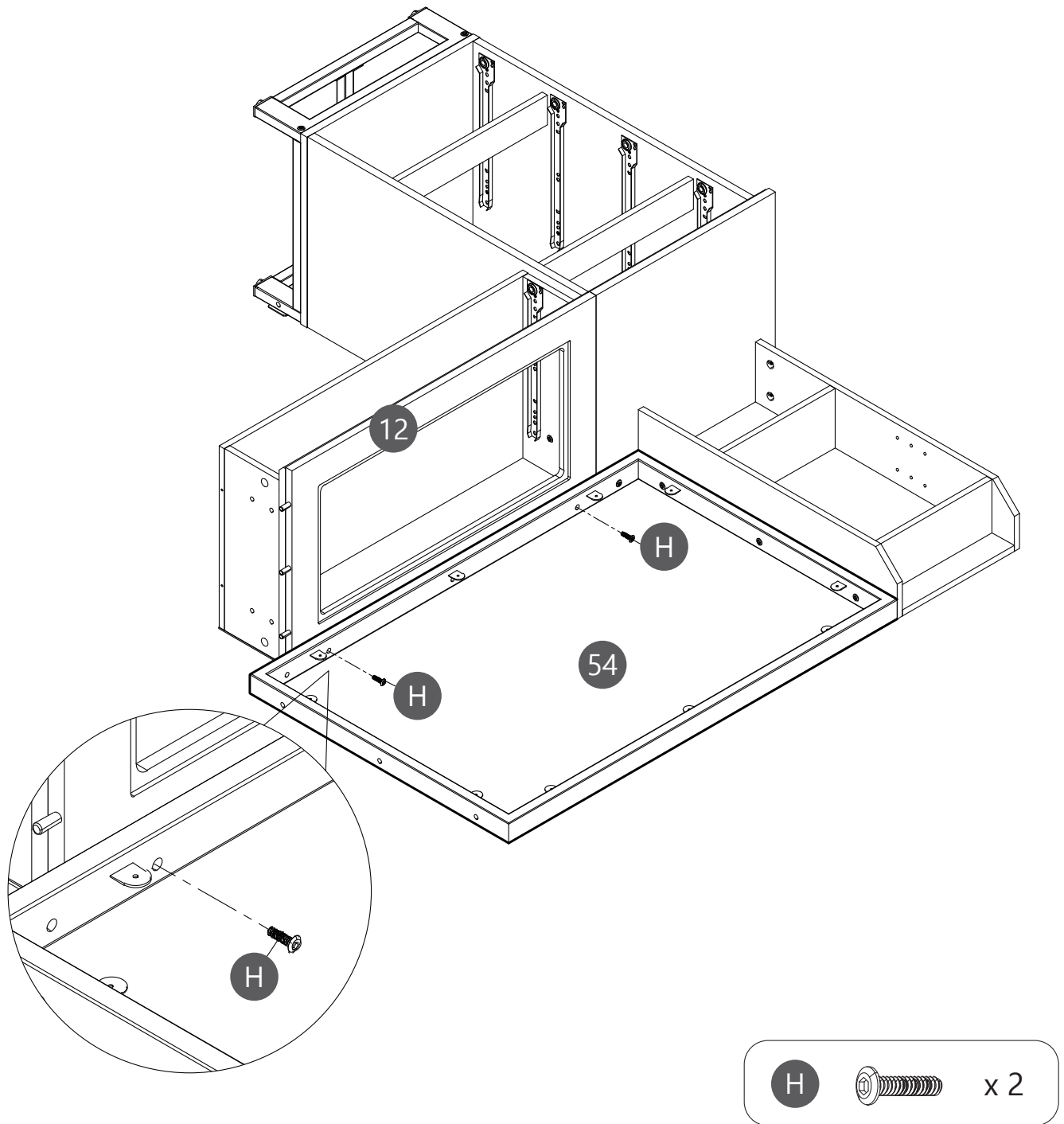
Step 36

Using Screws (E) secure Board (②) to Board (⑧).



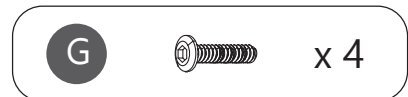
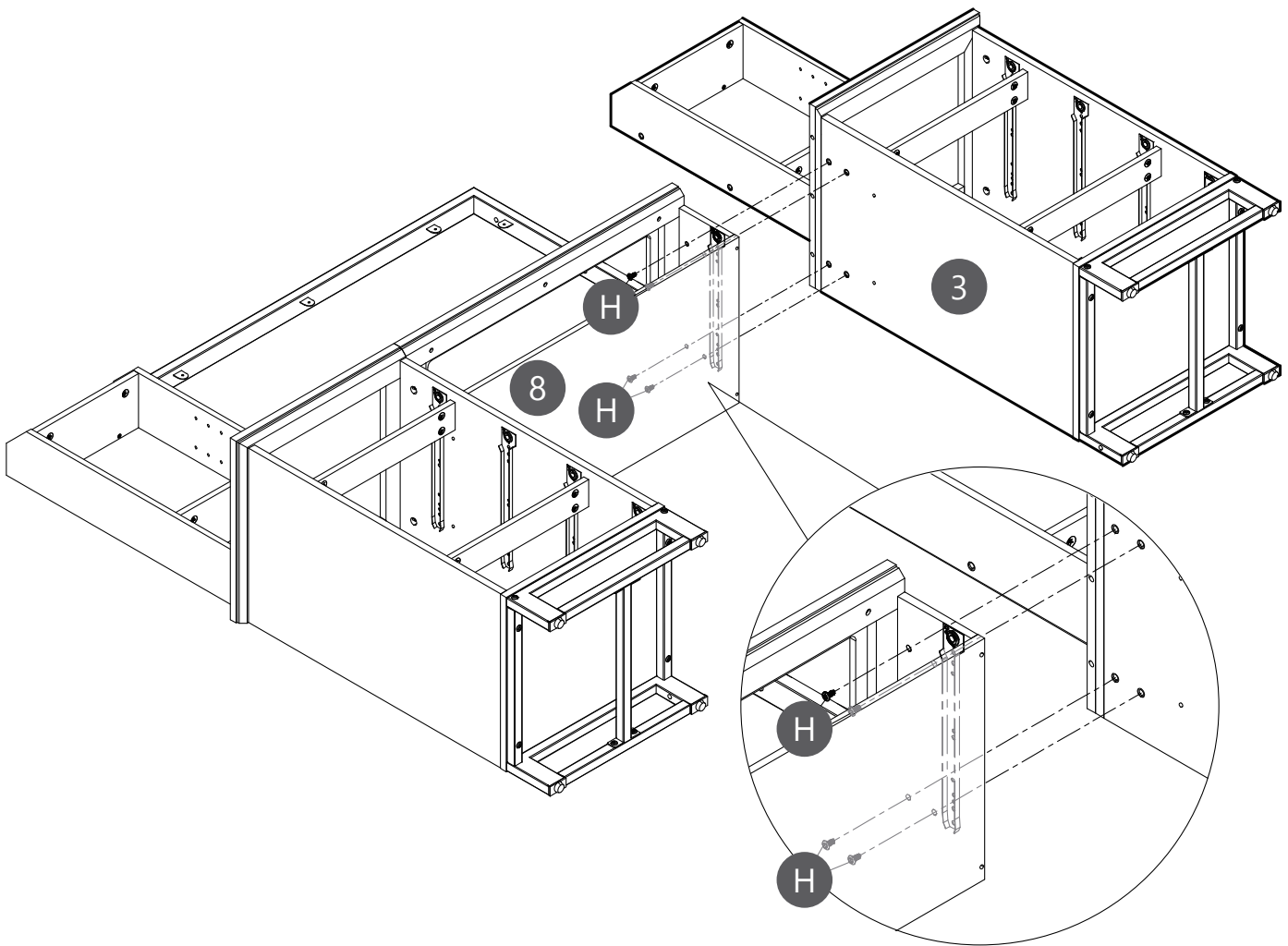
Step 37

Using Screws (H) to assemble Metal Pipe (54) to the Board (12).



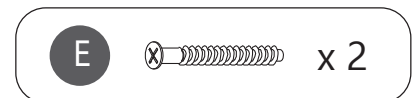
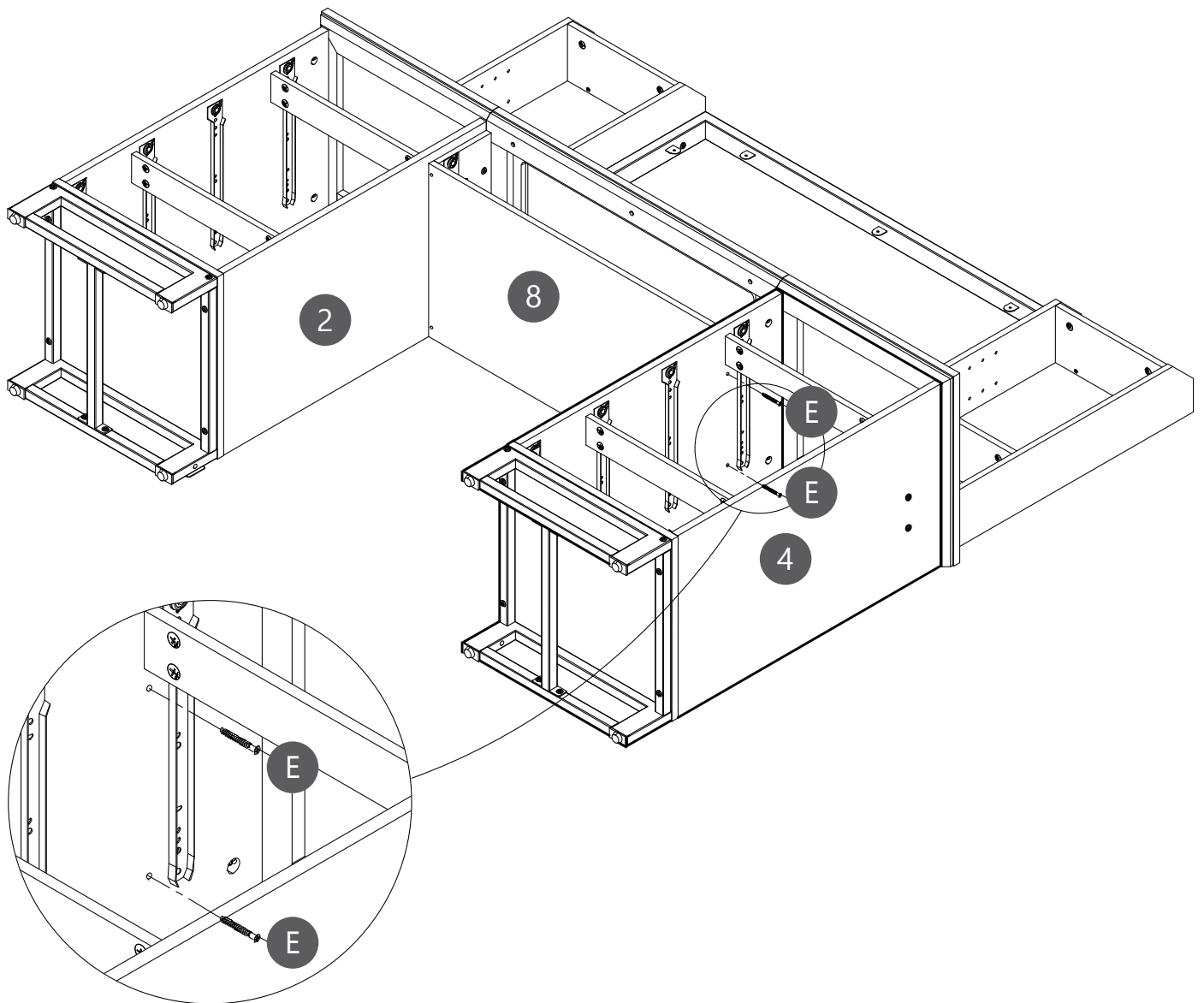
Step 38

Using Screws (G) to assemble Board (7) to the Board (3).



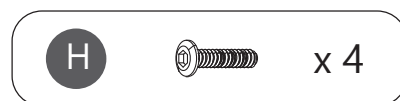
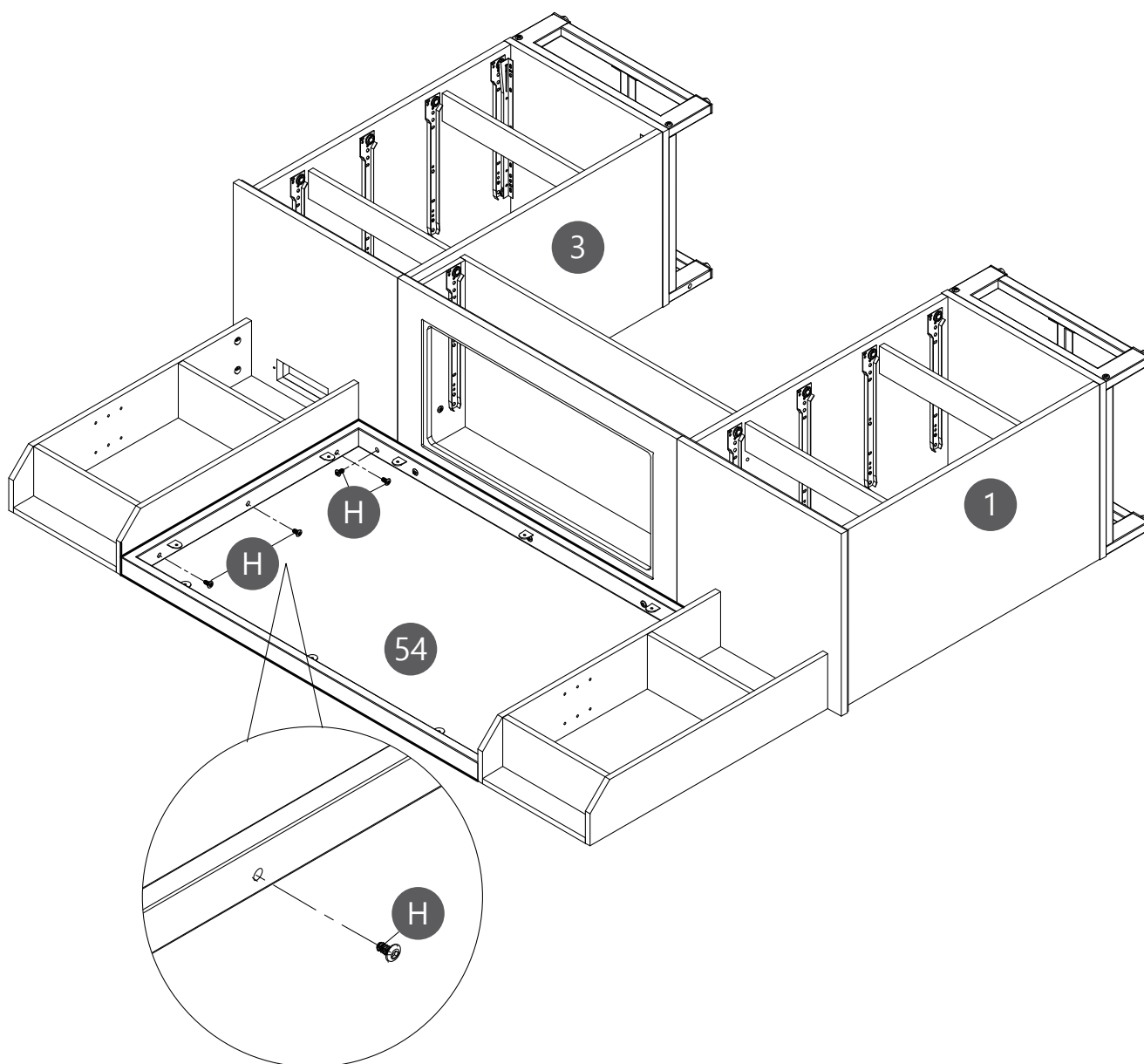
Step 39

Using Screws (E) secure Board (③) to Board (⑧).



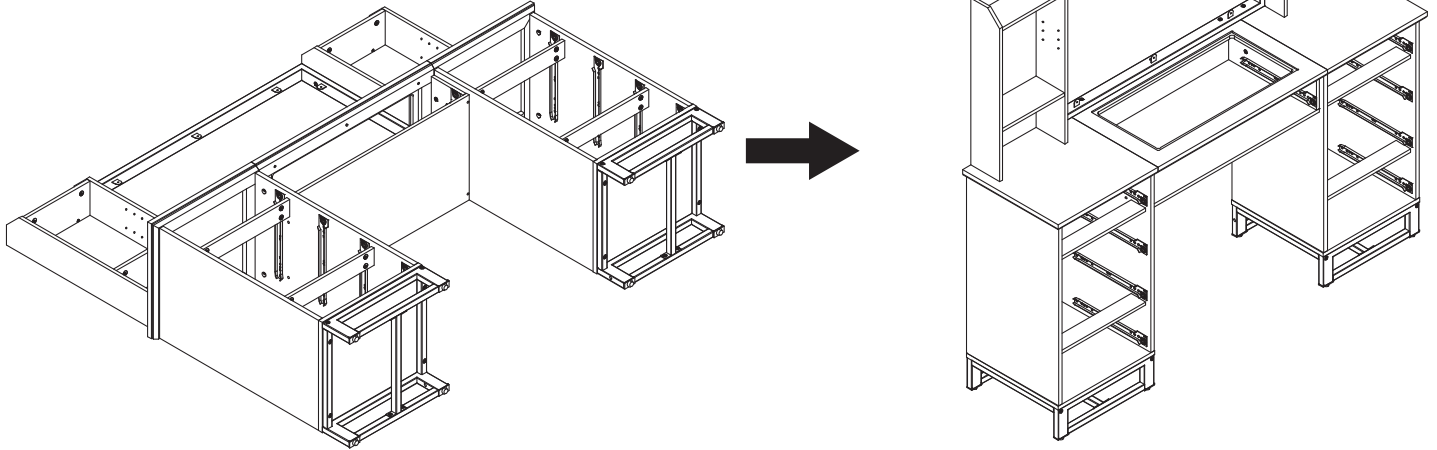
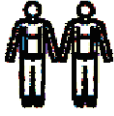
Step 40

Using Screws (H) to assemble Metal Pipe (54) to the Board (11&16).



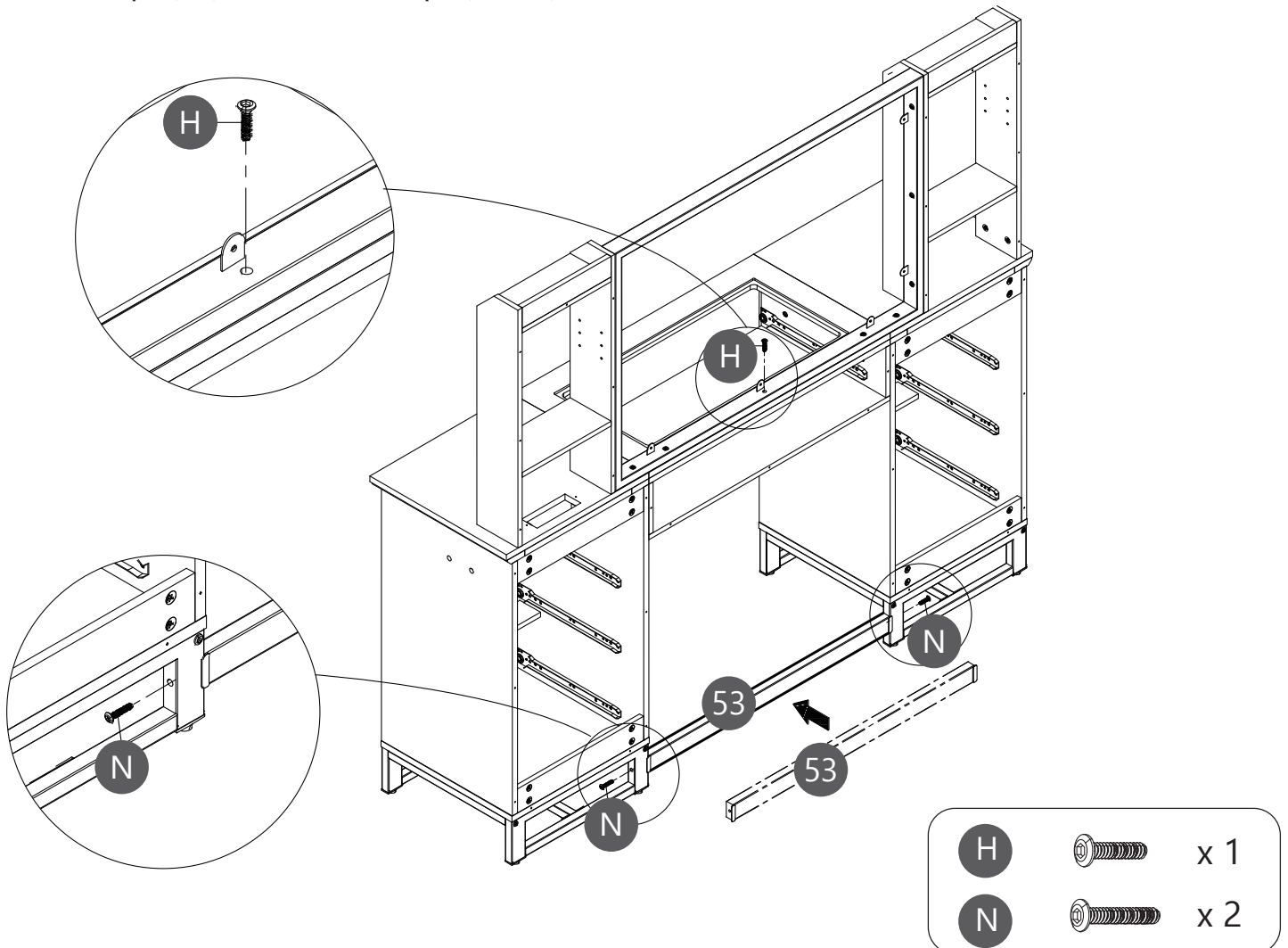
Step 41

More than two people lift the vanity.



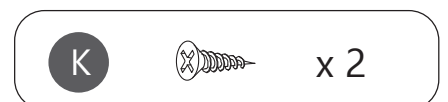
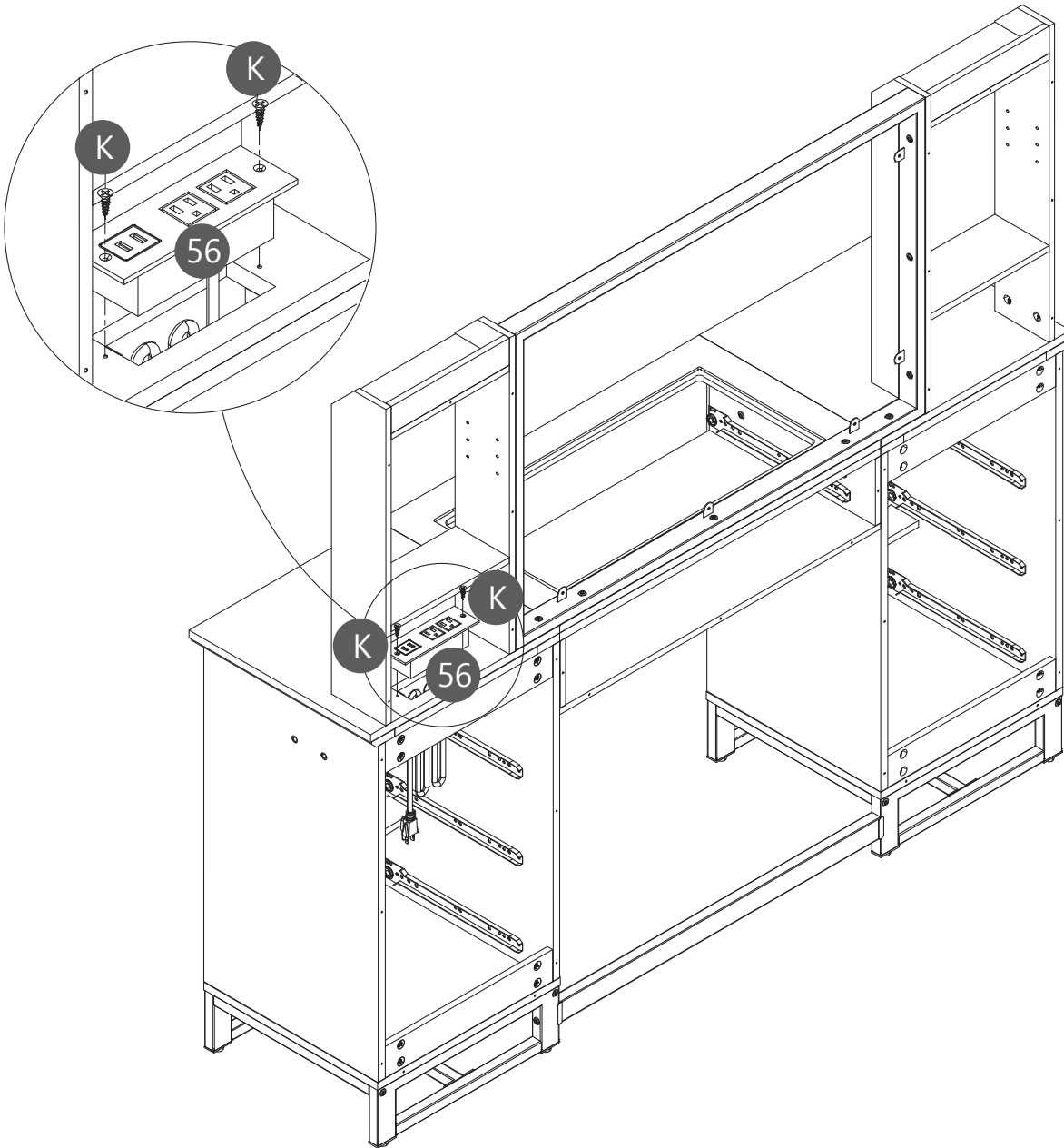
Step 42

Using Screws (H) to assemble Metal Pipe (54) to the Board (12). Using Screws (N) to Metal Pipe (53) to the Metal Pipe (49&50).



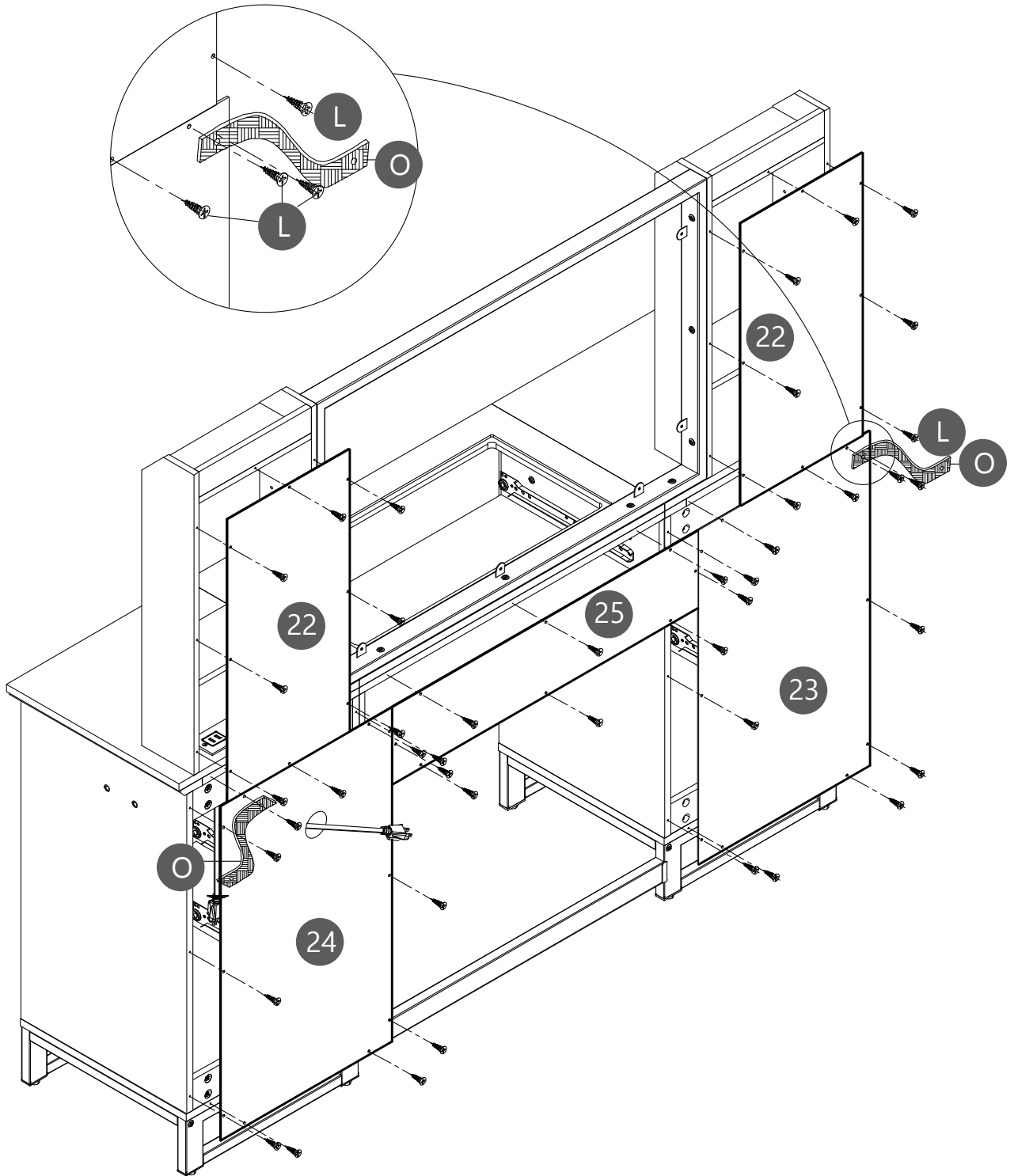
Step 43



Using Screws (K) secure Socket (56) to Board (11).



Step 44

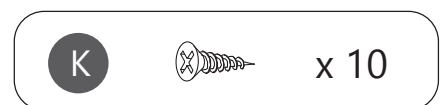
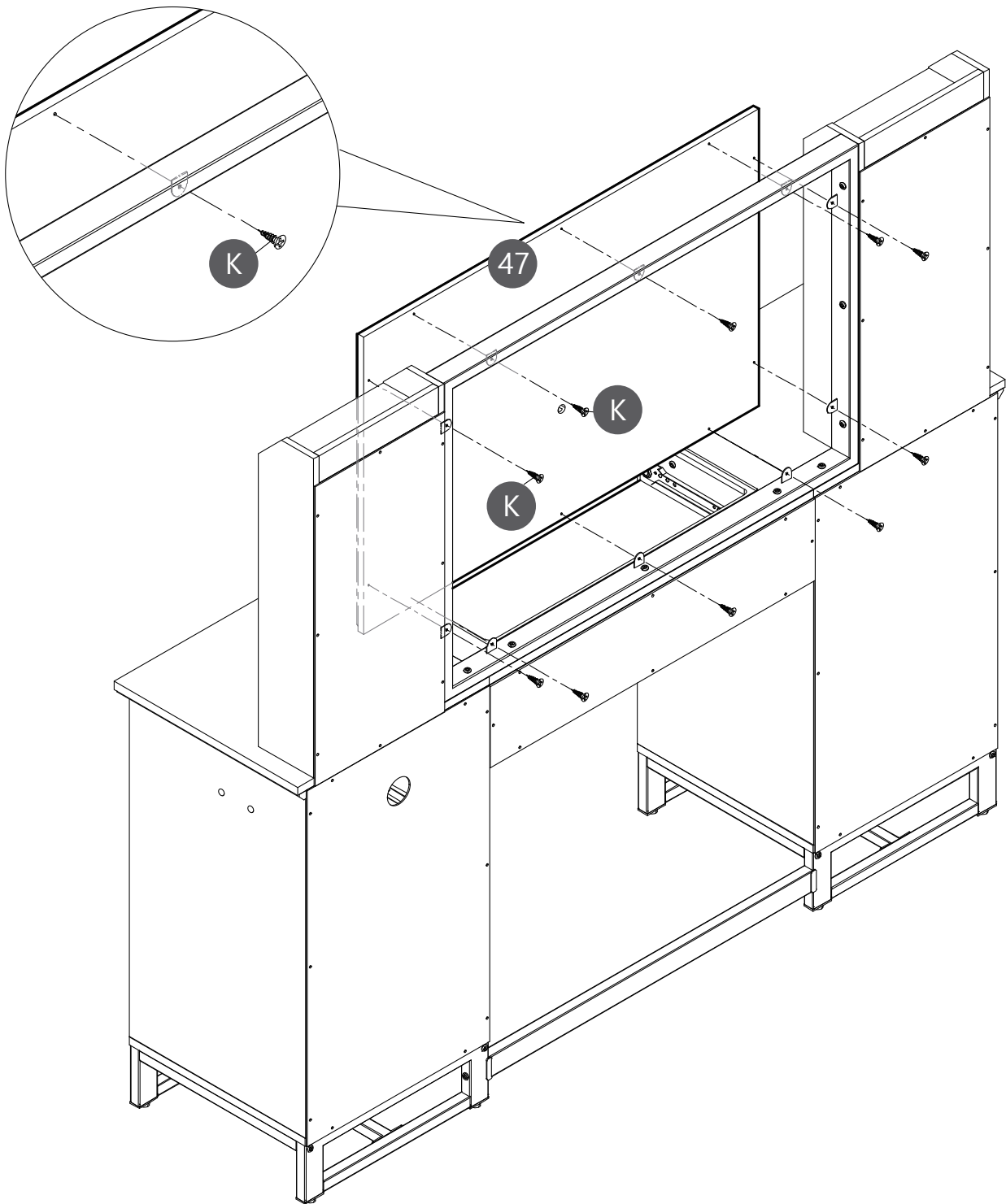
Using Screws (L) through Anti-tipping Belt (O) assemble Back Panels (22&23&24&25) from top to bottom to the main body.



L		x 44
O		x 1

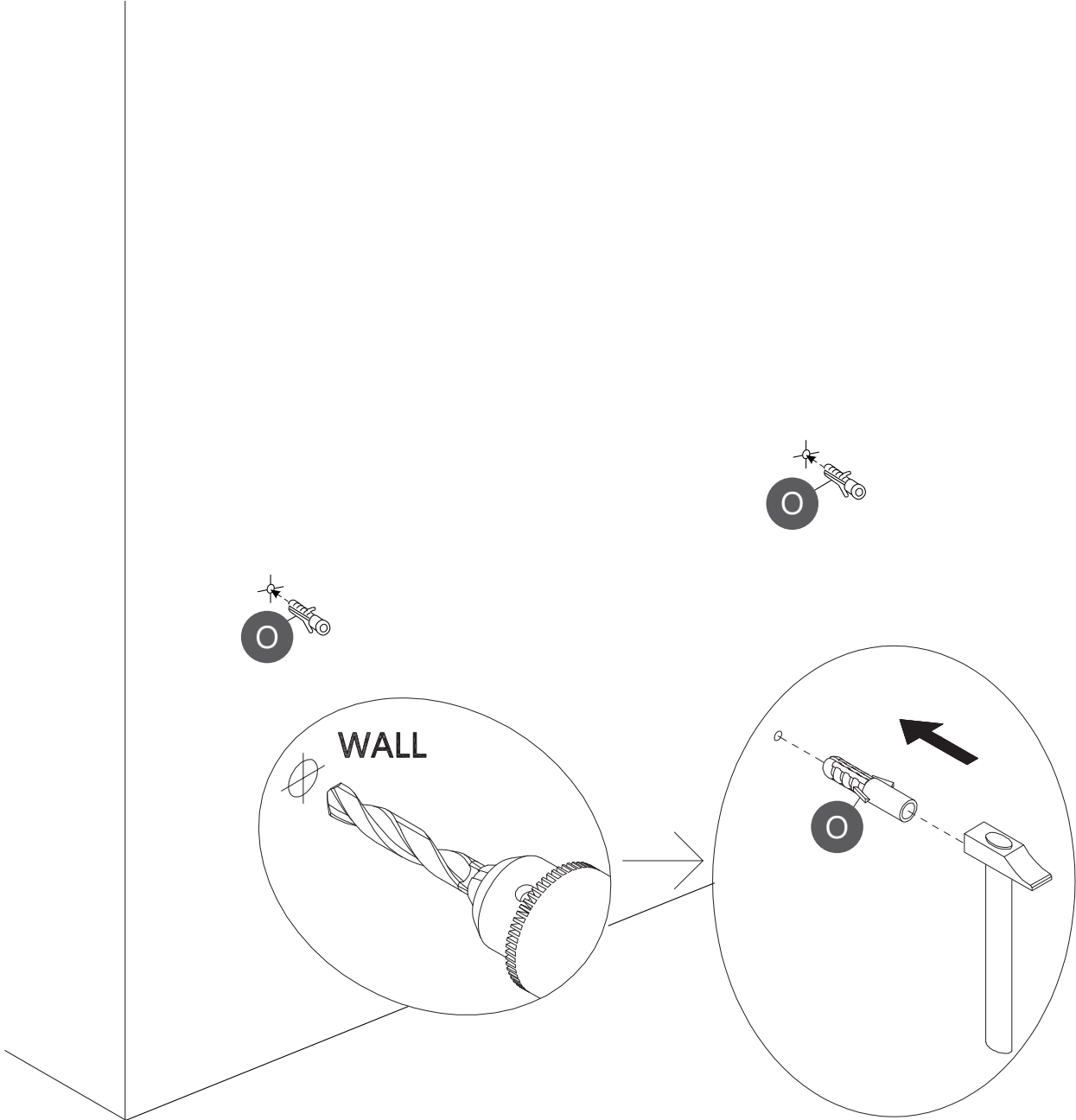
Step 45



Using Screws (K) secure Mirrors (47) to Metal Pipe (54).



Step 46

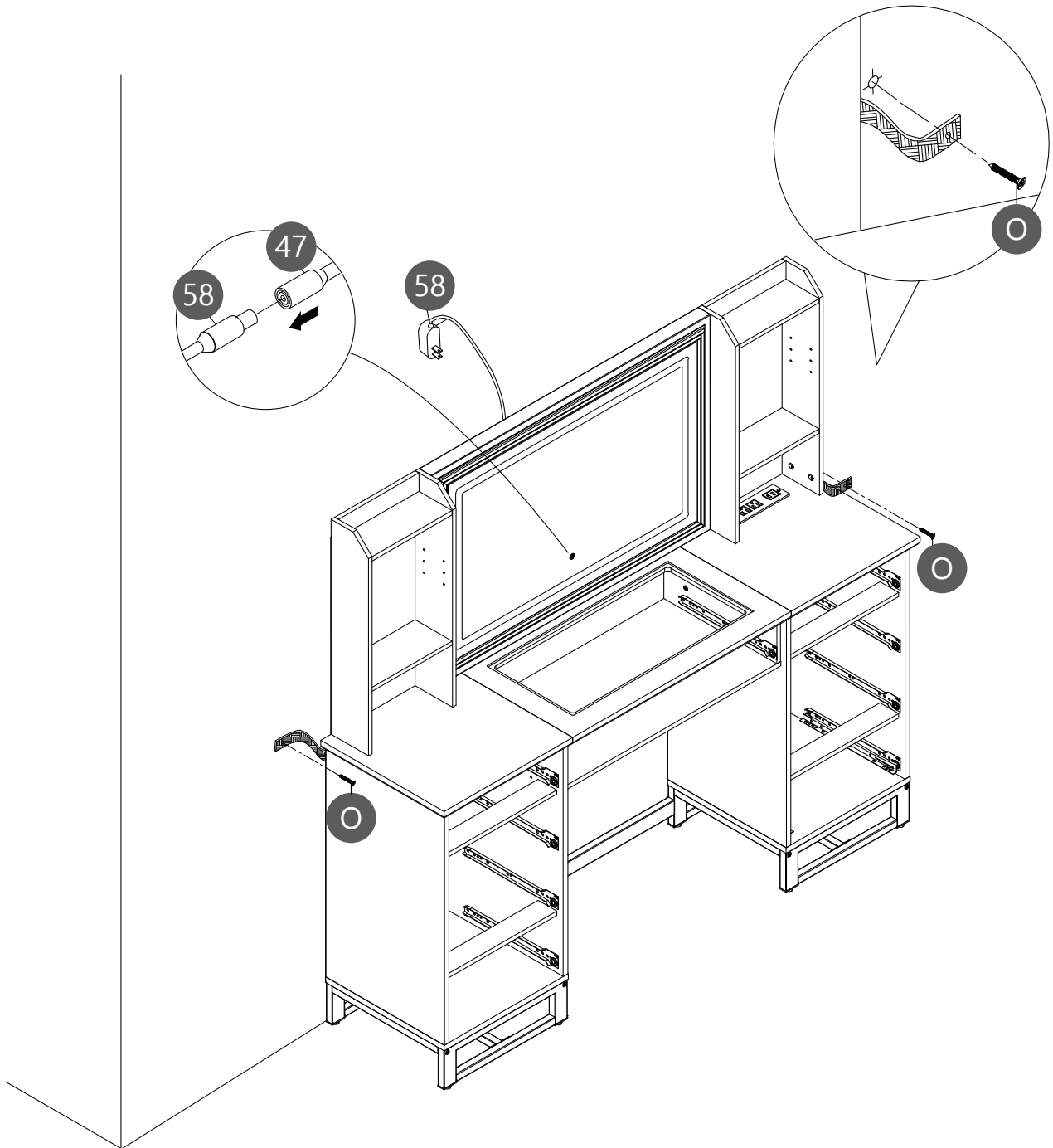
Drill 2 holes in the wall and Hammer the (O) in.



  x 2

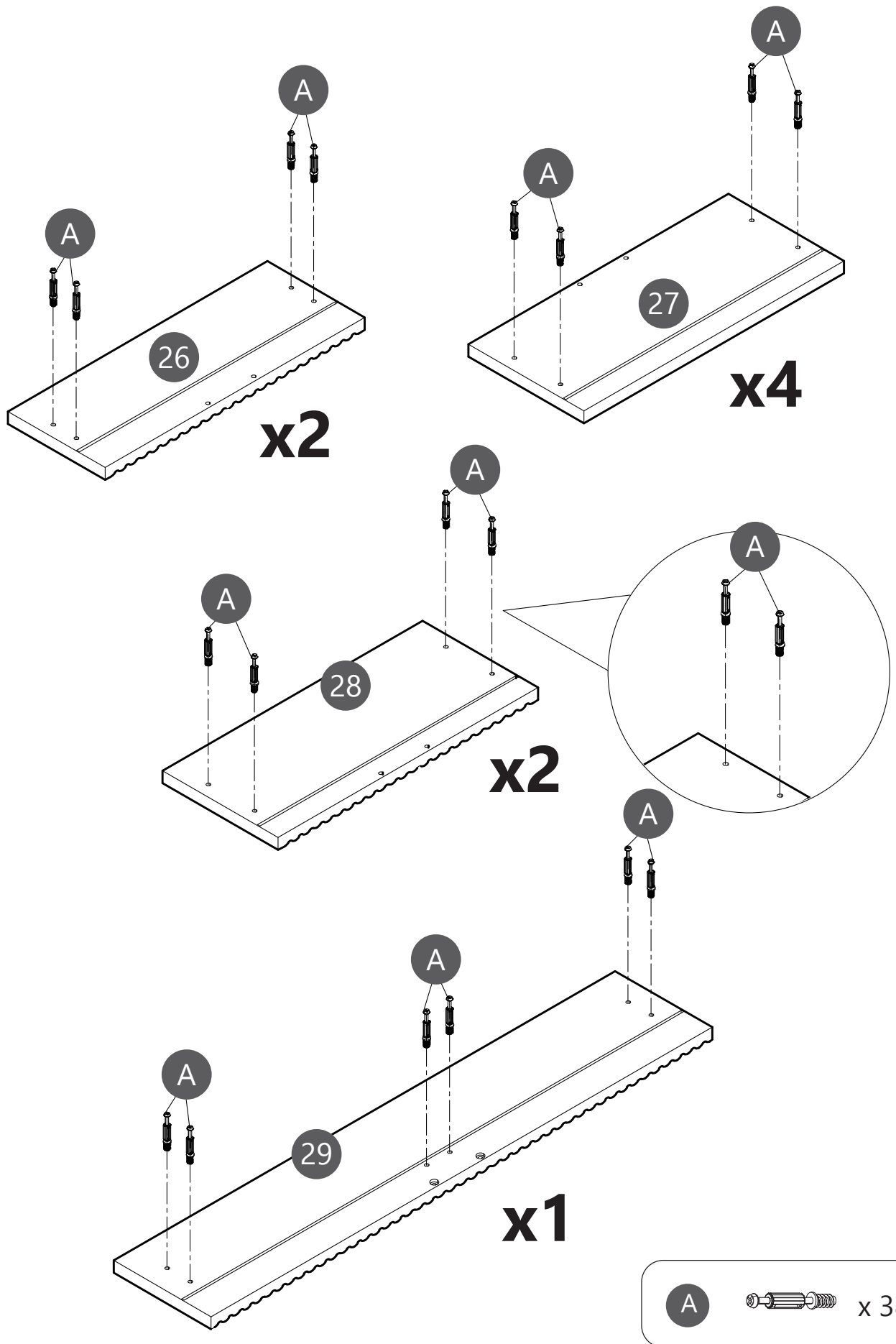
Step 47

Using Screw (O) attach Anti-tipping Belt into Nut (O) to wall.



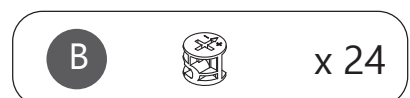
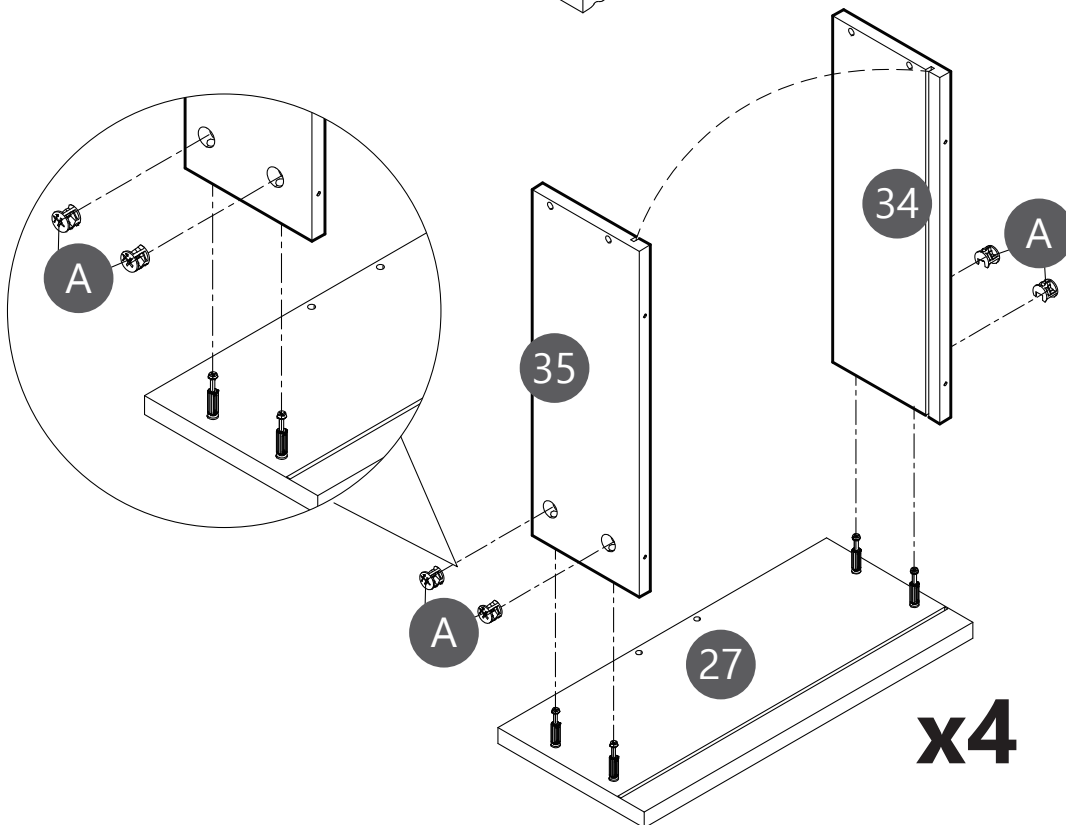
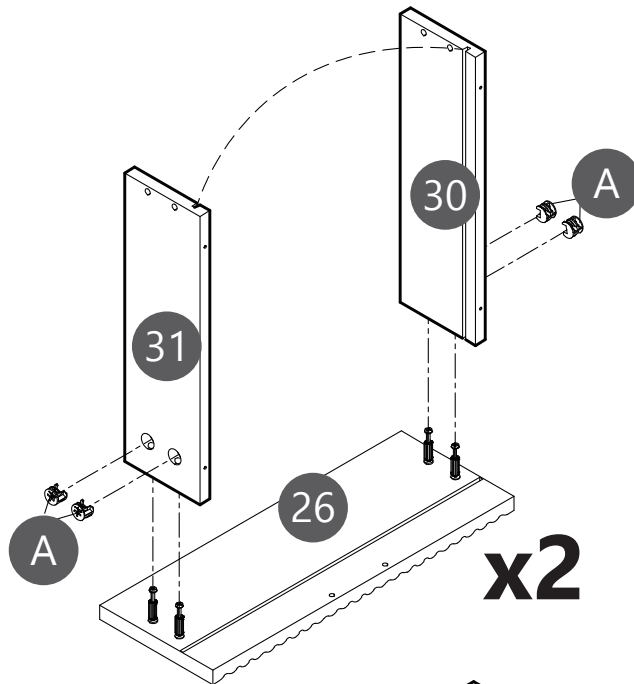
Step 48

Securing Cam Bolt (A) into Board (26&27&28&29).



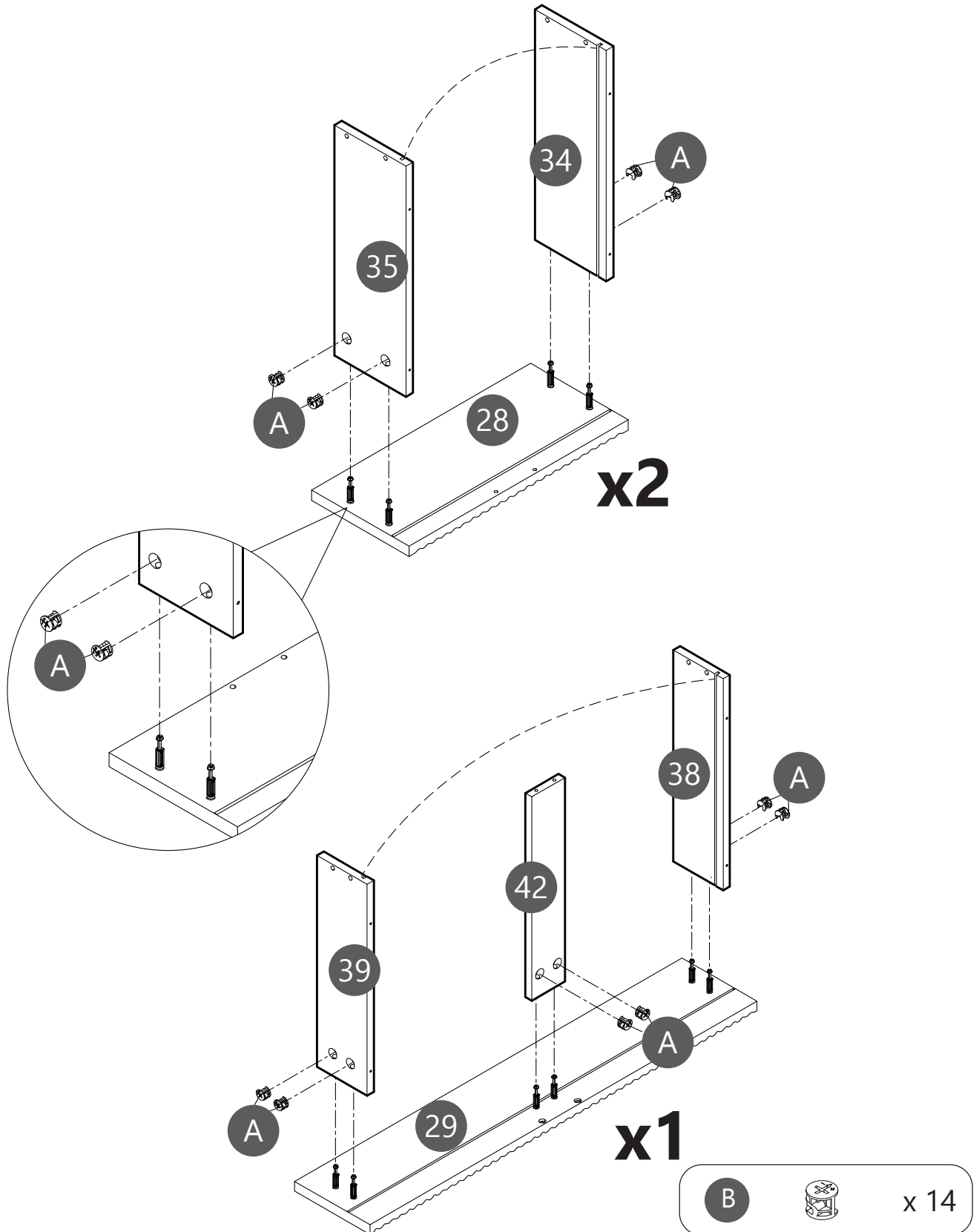
Step 49

Attach Board (30&31) to Board (26). Using Cam Lock (B) secure Board (30&31) to Board (26).
Attach Board (34&35) to Board (27). Using Cam Lock (B) secure Board (34&35) to Board (27).



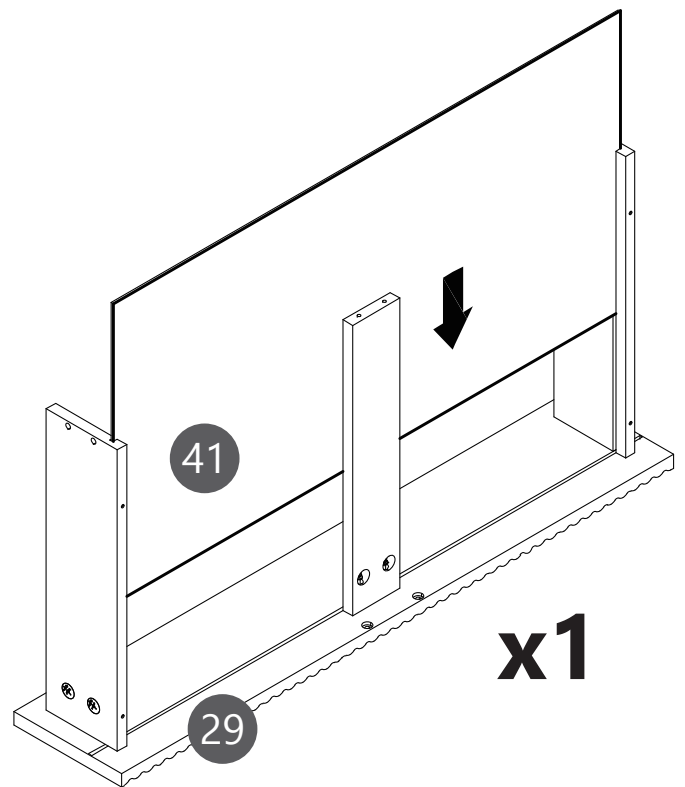
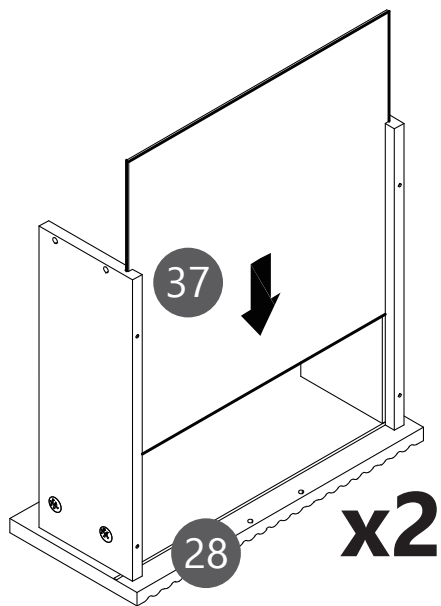
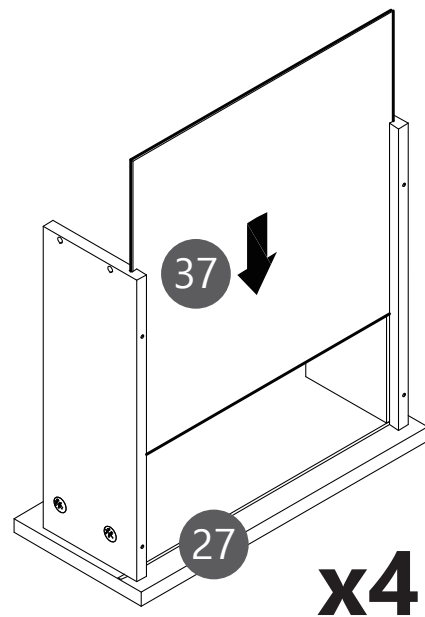
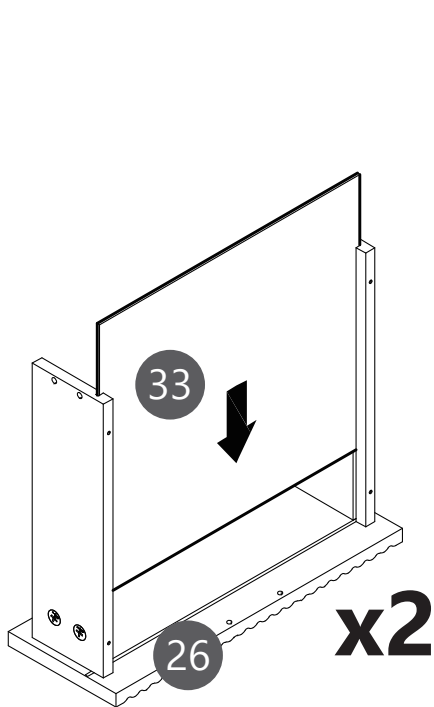
Step 50

Attach Board (34&35) to Board (28). Using Cam Lock (B) secure Board (34&35) to Board (28).
Attach Board (38&39&42) to Board (29). Using Cam Lock (B) secure Board (38&39&42) to Board (29).



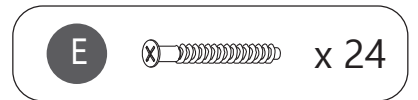
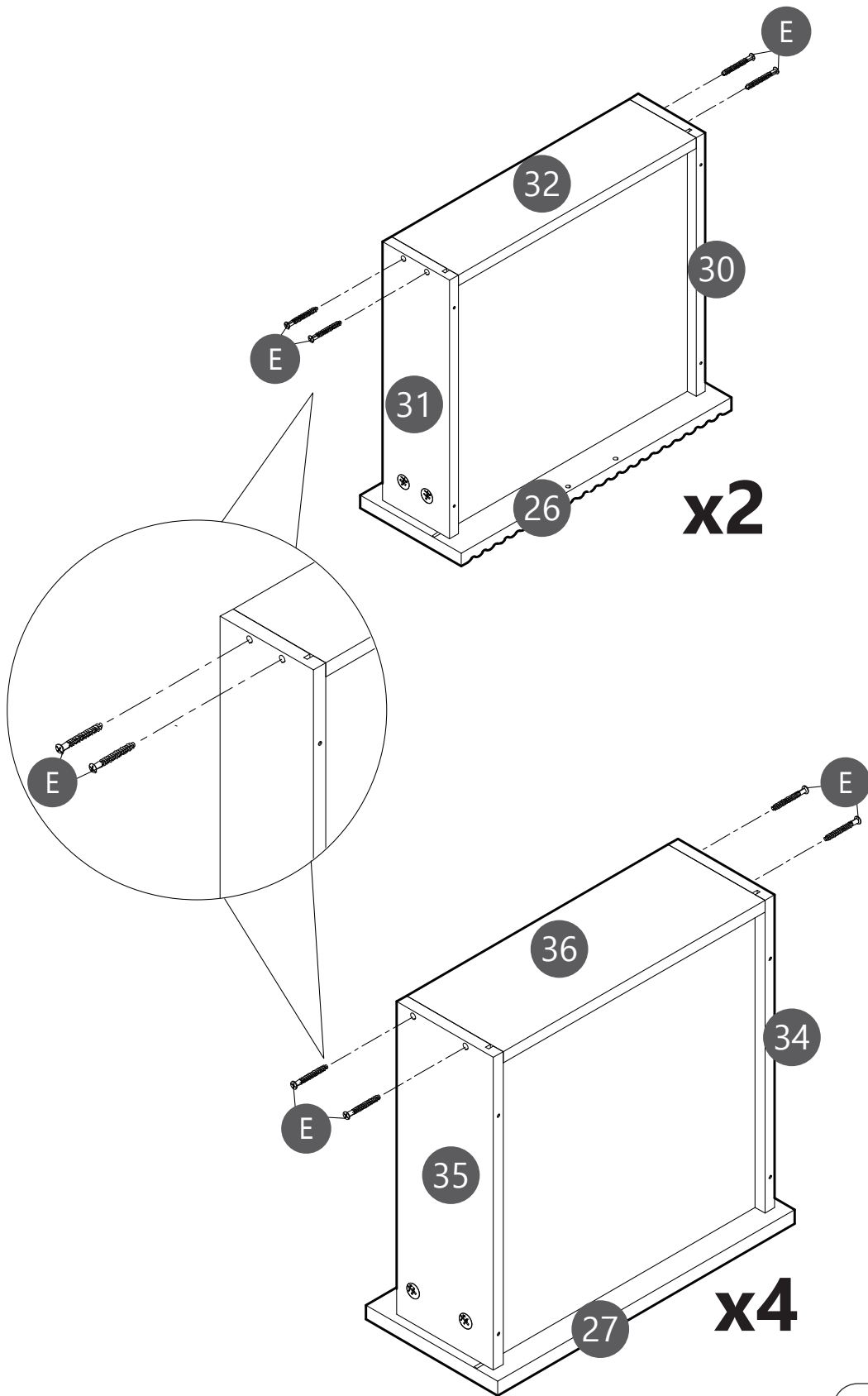
Step 51

Sliding drawer bottom panels (33&37&41) into grooves. Be careful not to reverse the direction of the base plate causing the base plate to not fit, if it doesn't fit try adjusting the direction of the base plate.



Step 52

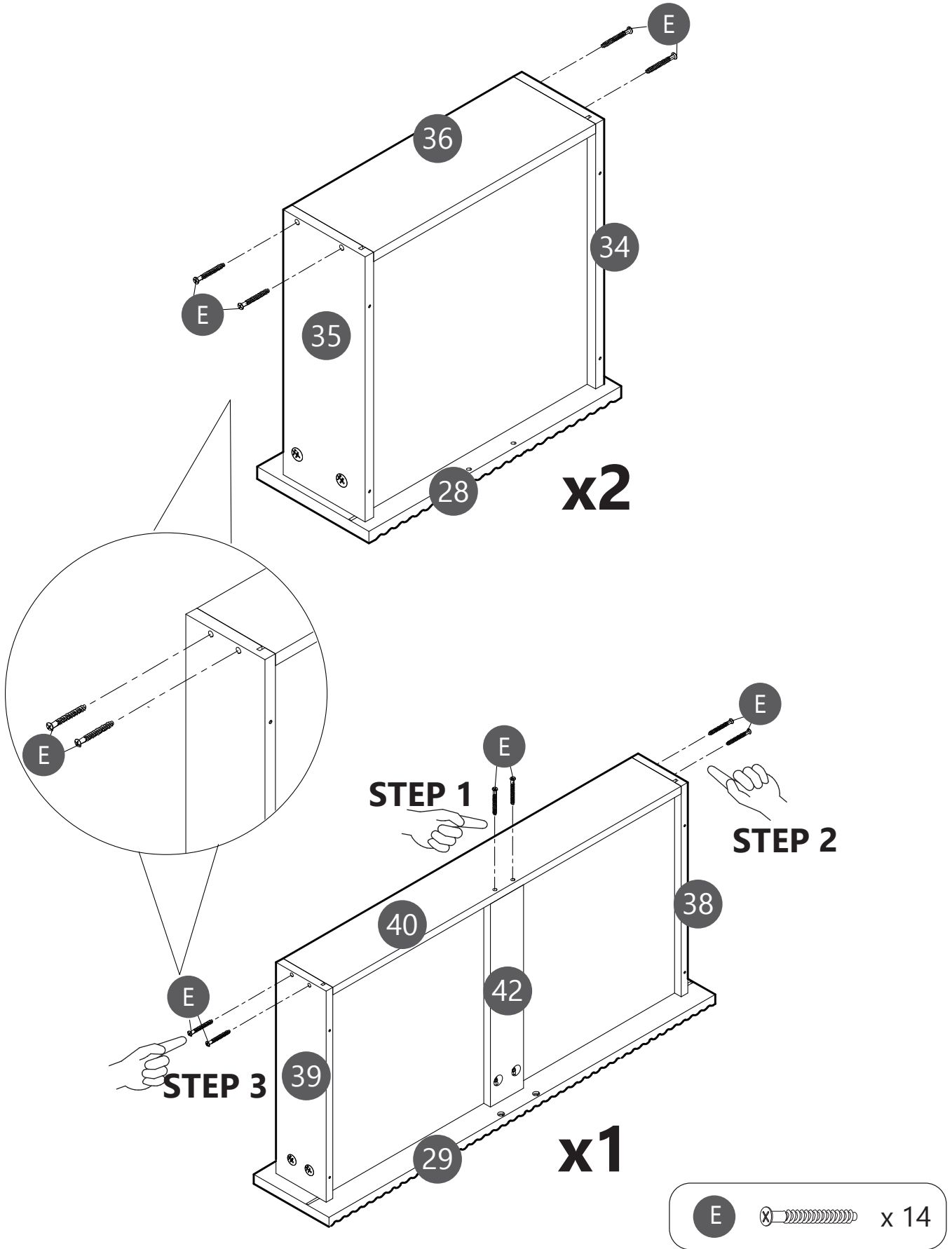
Using Screws (E) to assemble Board (32) to the Board (30&31).
Using Screws (E) to assemble Board (36) to the Board (34&35).



Step 53

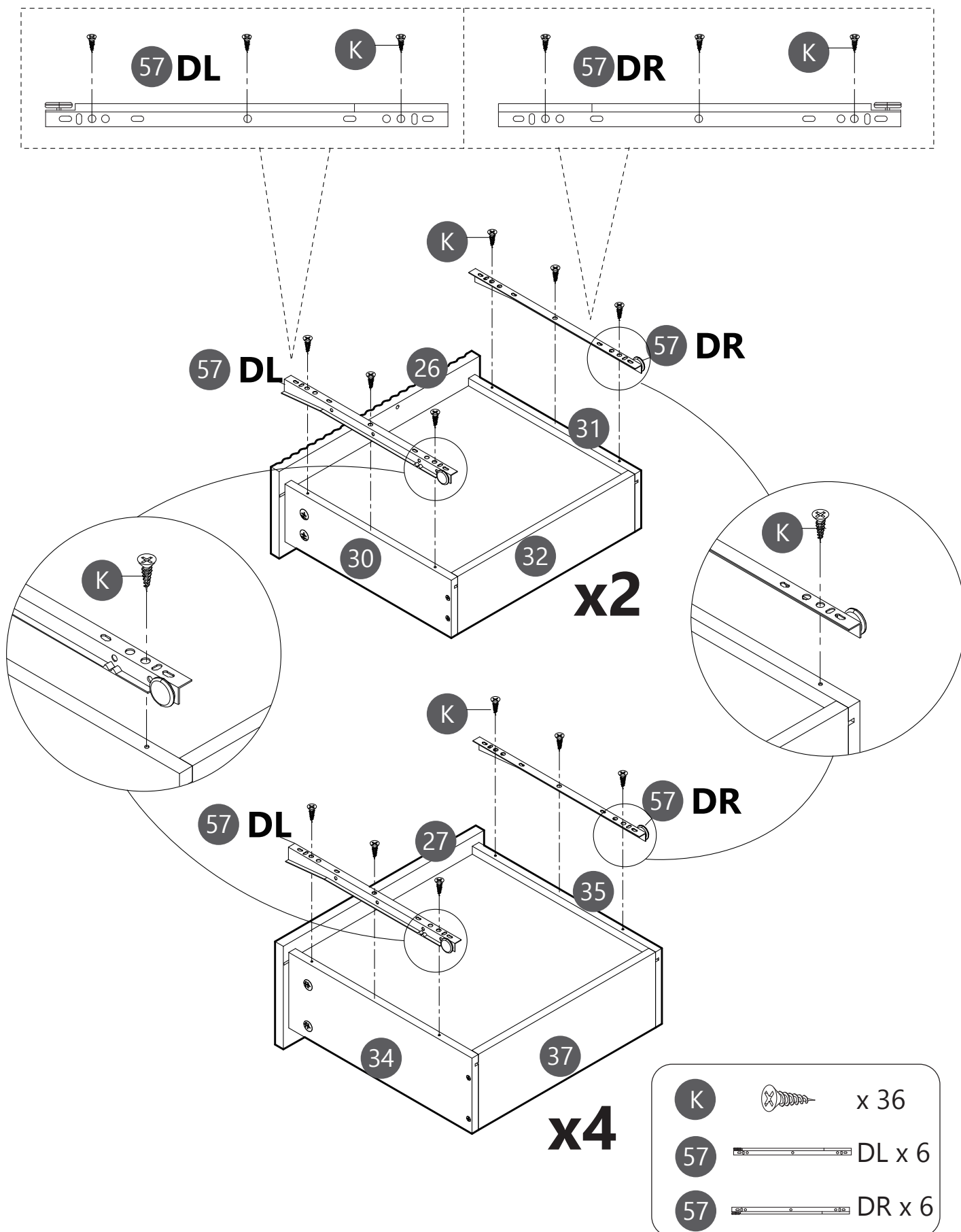
Using Screws (E) to assemble Board (36) to the Board (34&35).

Using Screws (E) to assemble Board (40) to the Board (38&39&42).



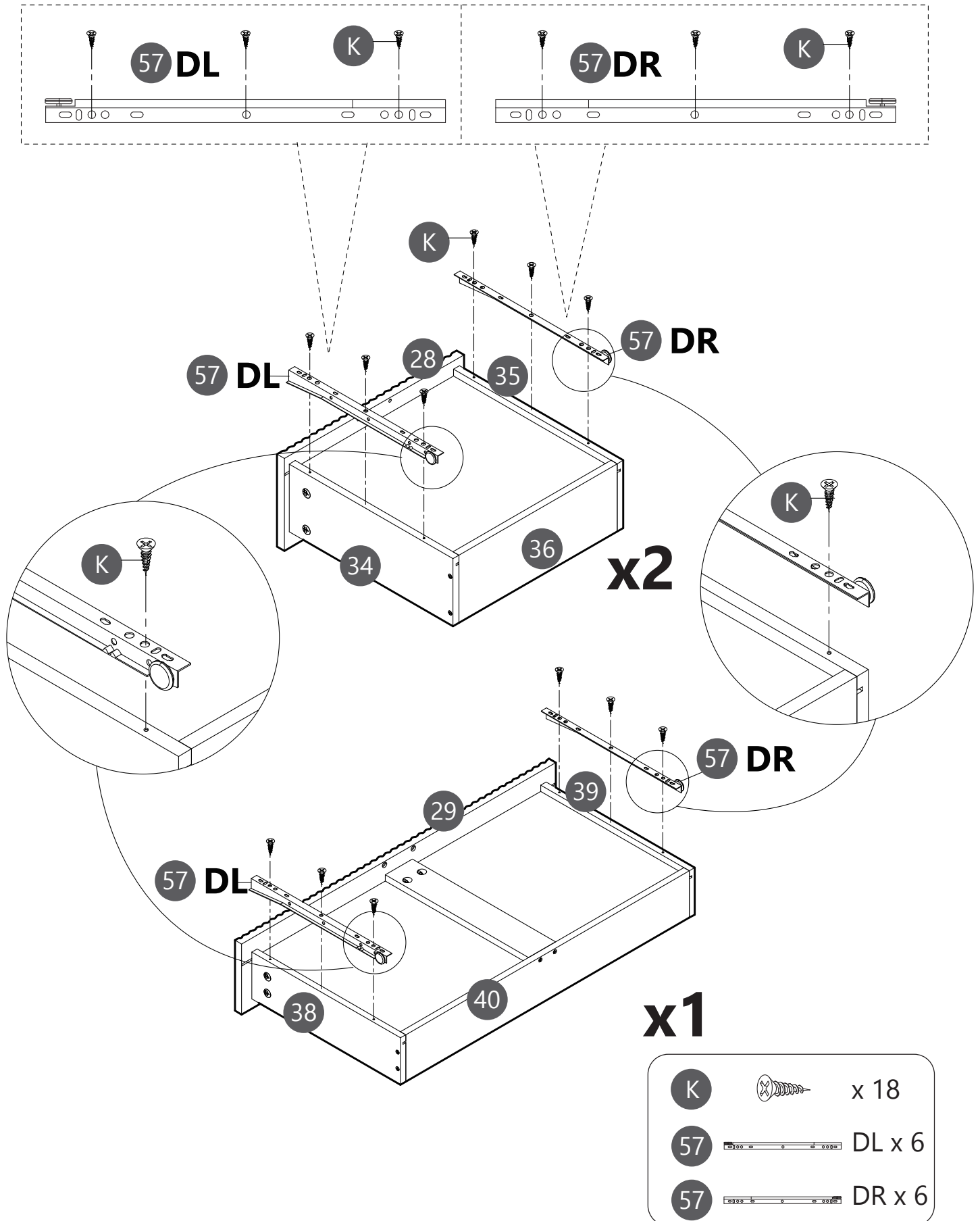
Step 54

Using Screws (K) to assemble Slide (DR) to Board (31&35).
 Using Screws (K) to assemble Slide (DL) to Board (30&34).



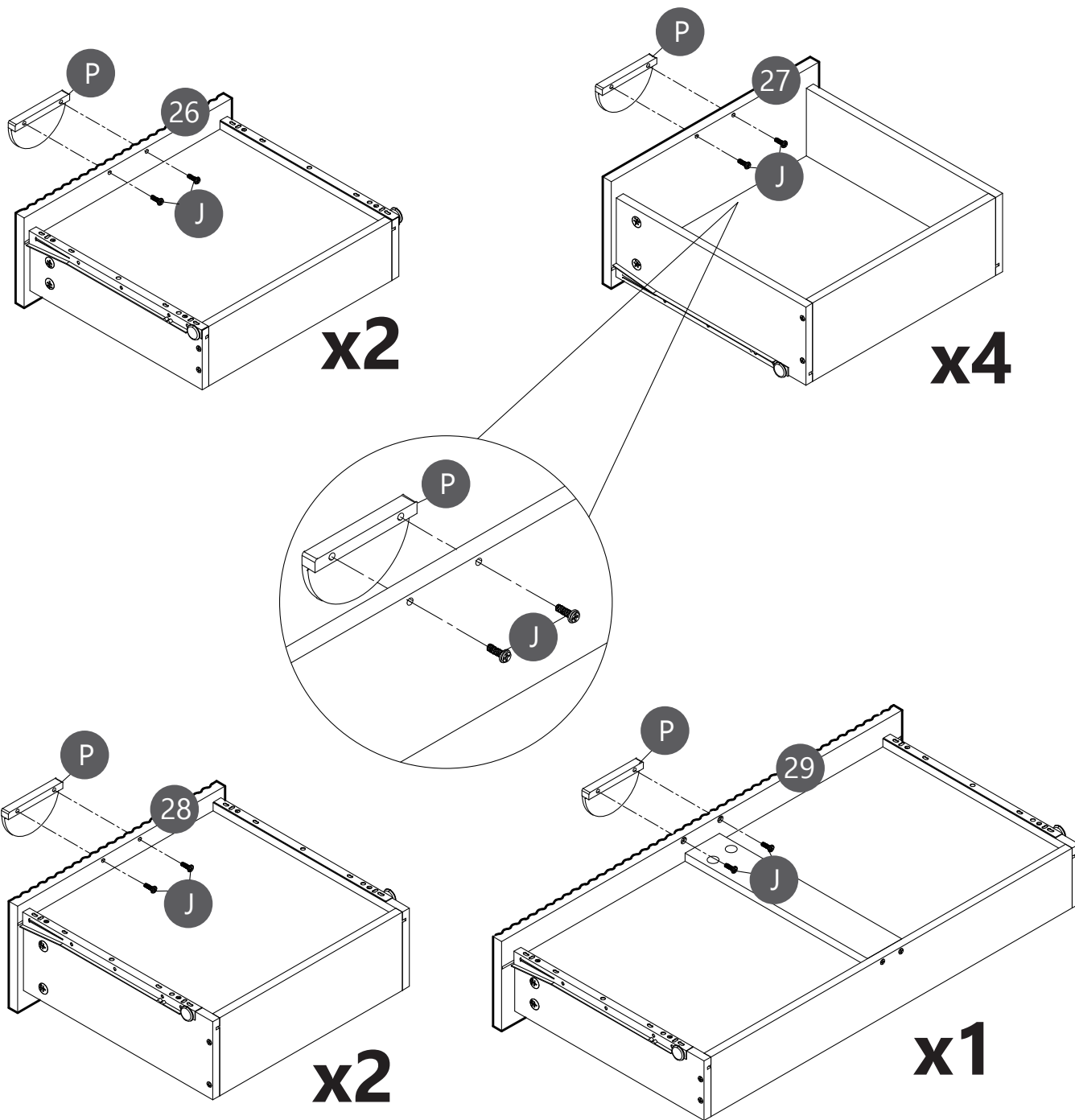
Step 55

Using Screws (K) to assemble Slide (DR) to Board (35&39).
 Using Screws (K) to assemble Slide (DL) to Board (34&38).



Step 56

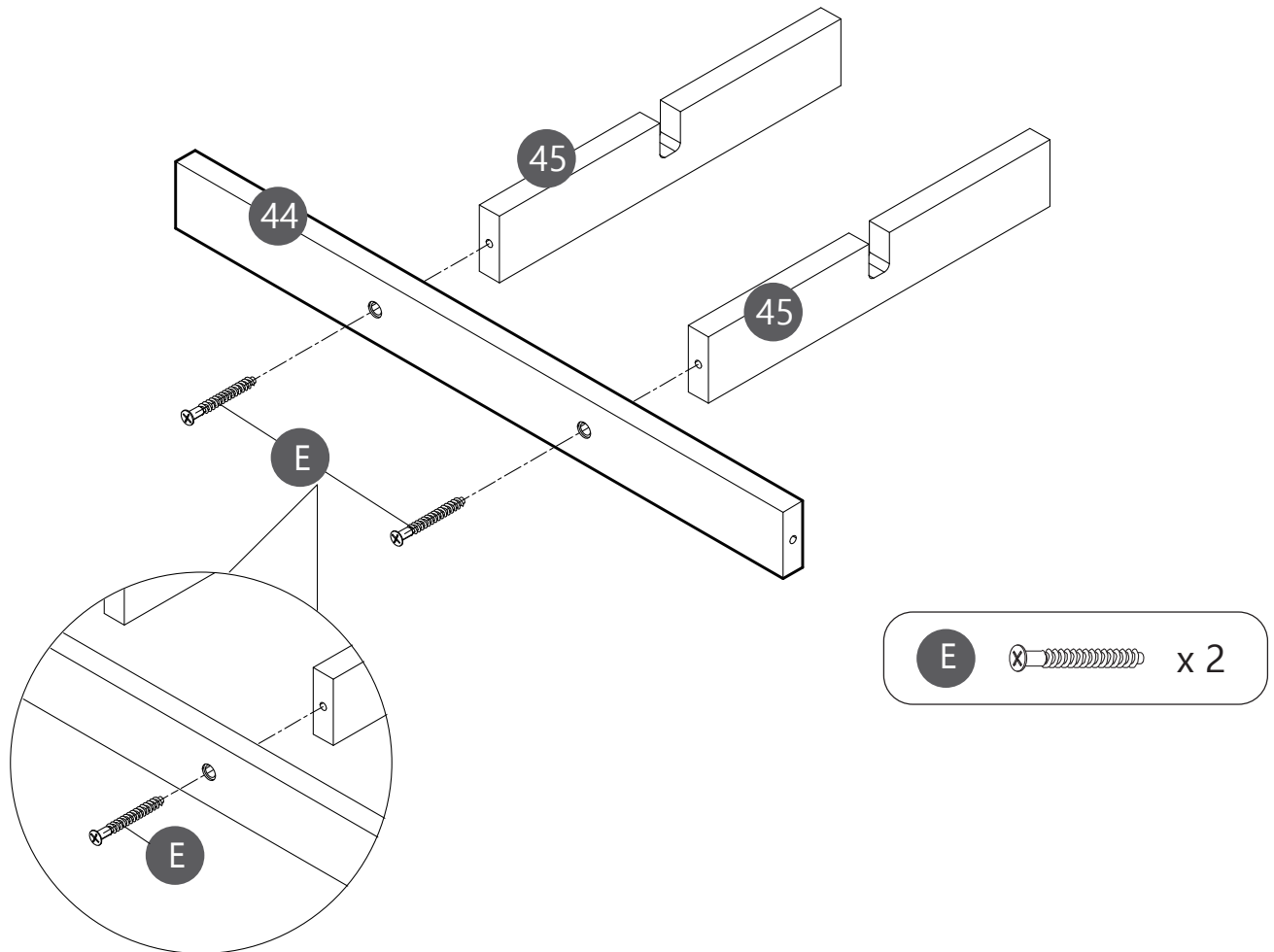
Using Screws (J) to assemble Handle (P) to the Board (26&27&28&29).



J		x 18
P		x 9

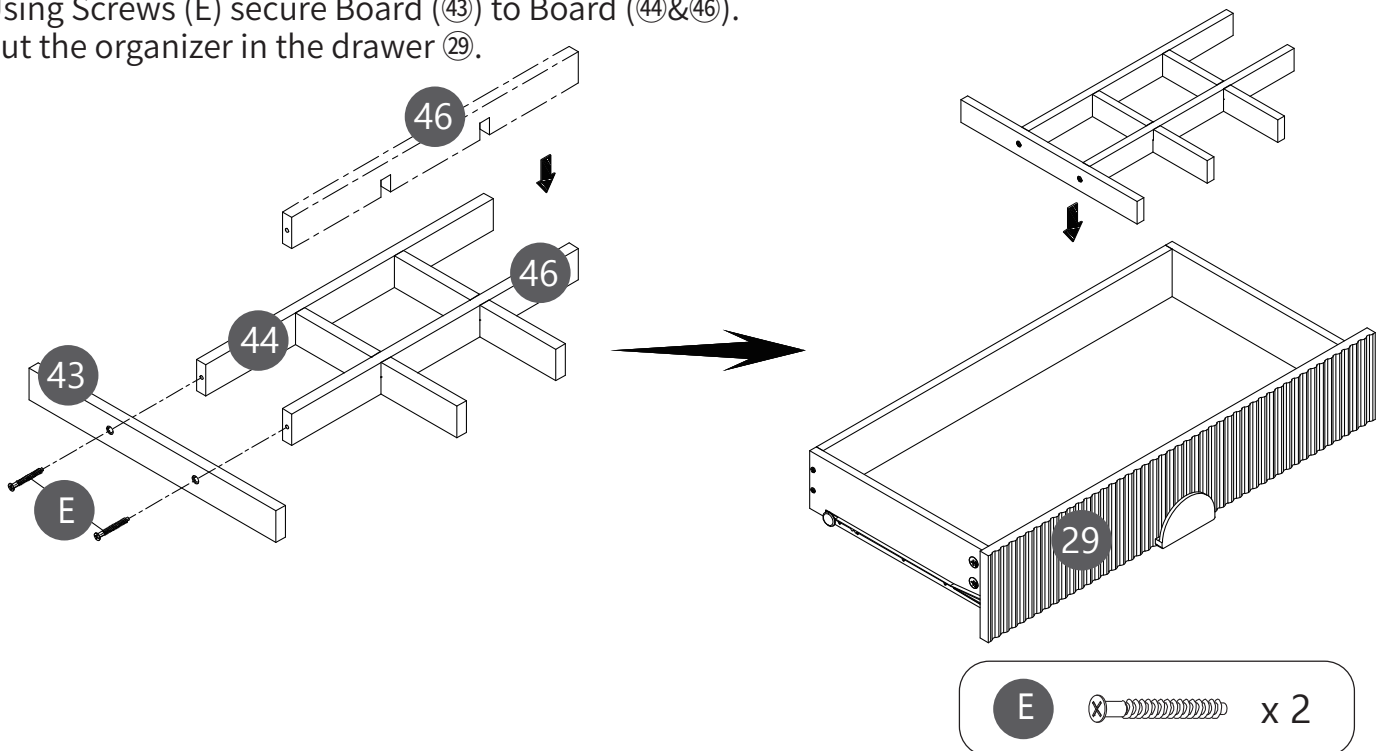
Step 57

Using Screws (E) secure Board (44) to Board (45).



Step 57

Inserting Board (46) into Board (45).
Using Screws (E) secure Board (43) to Board (44&46).
Put the organizer in the drawer (29).

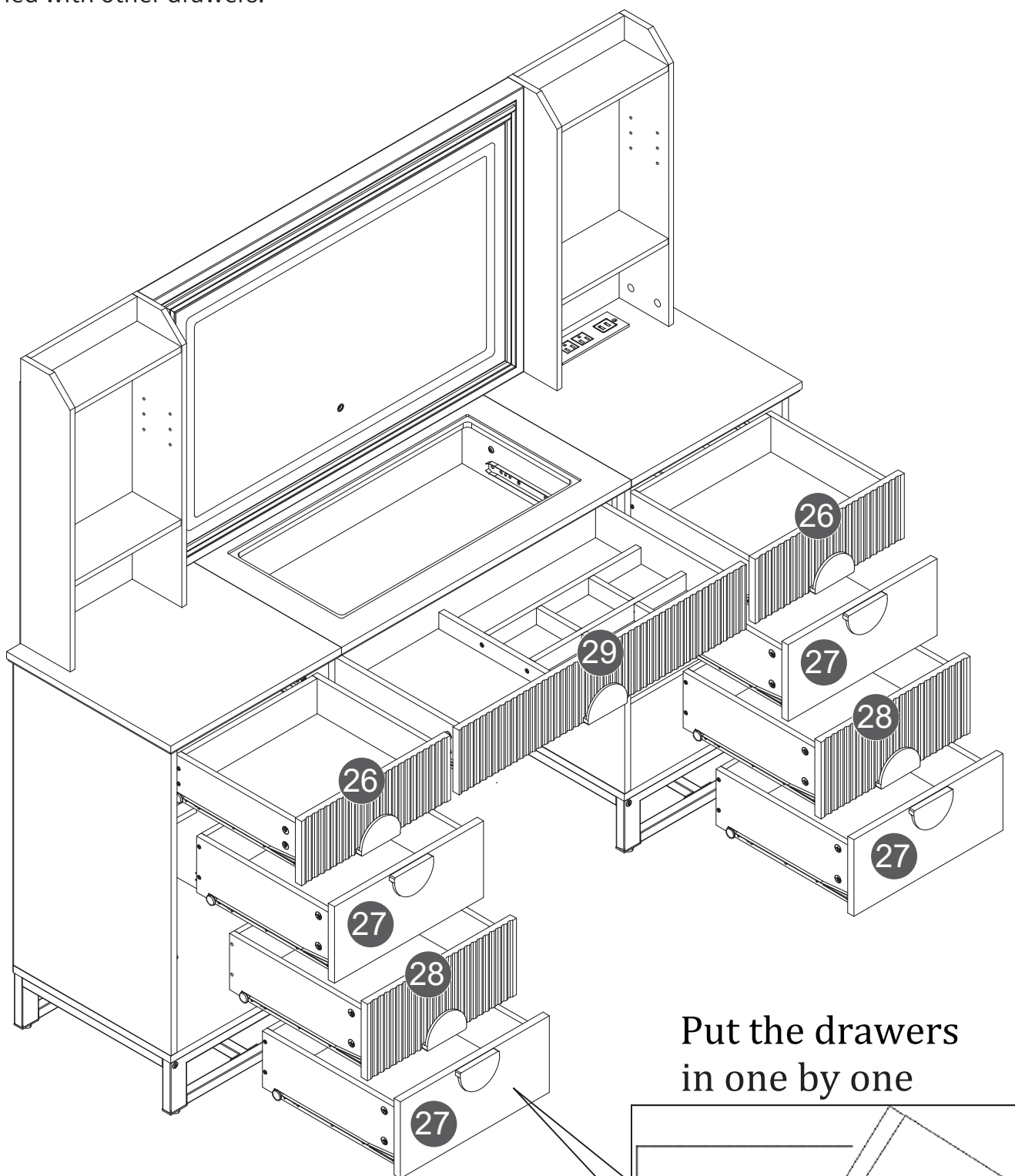


Step 59

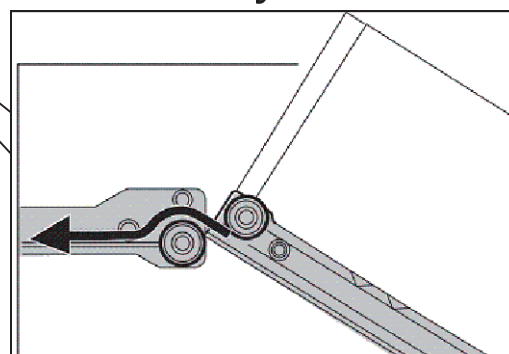
Assembled the drawers as per diagram.

Pay attention to the **ORDER** of the drawers.

When you put the drawer, please note that the drawer wheels on top of the wheels of the slide, then check whether the drawer is smooth when pulled out. Otherwise, the drawer will not be aligned with other drawers.

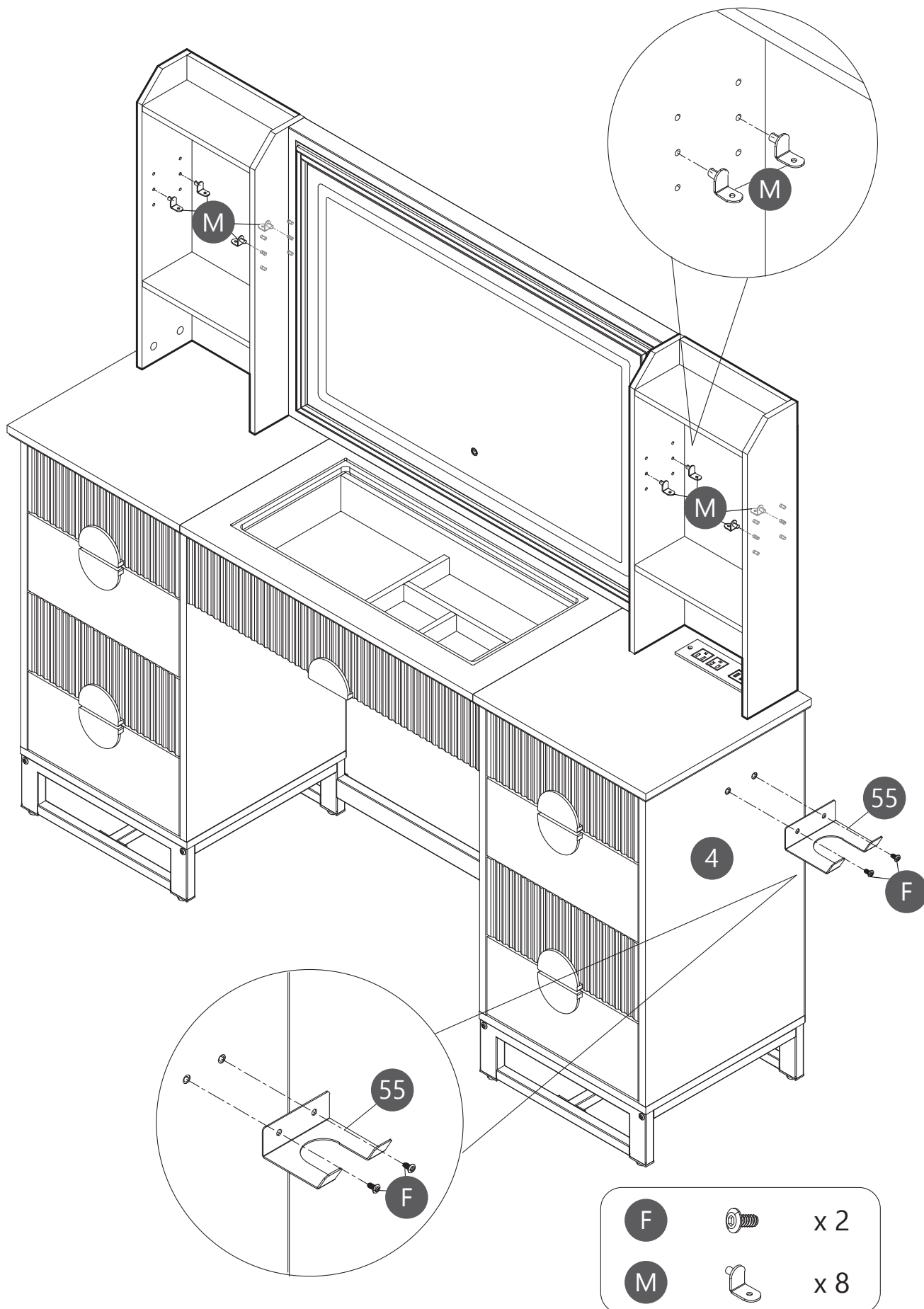


Put the drawers
in one by one



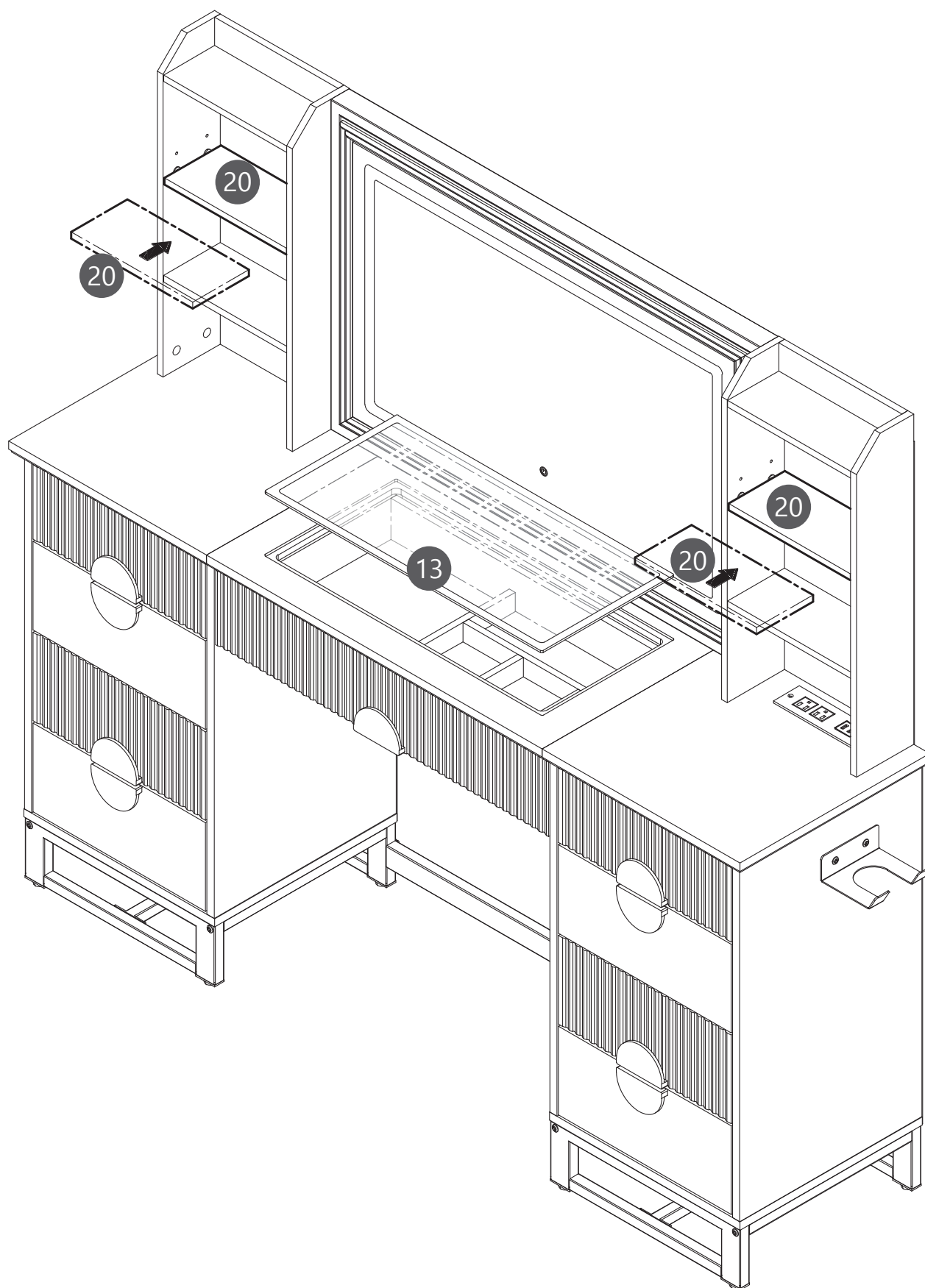
Step 60

Using Screws (F) secure Shelf (55) to Board (4).
Inserting Support Nails (M) into Board (14&15&16&17),



Step 61

Put Board (20) on Support Nails (M).



Congratulations! you have completed the installation and got a 9-drawer vanity.

