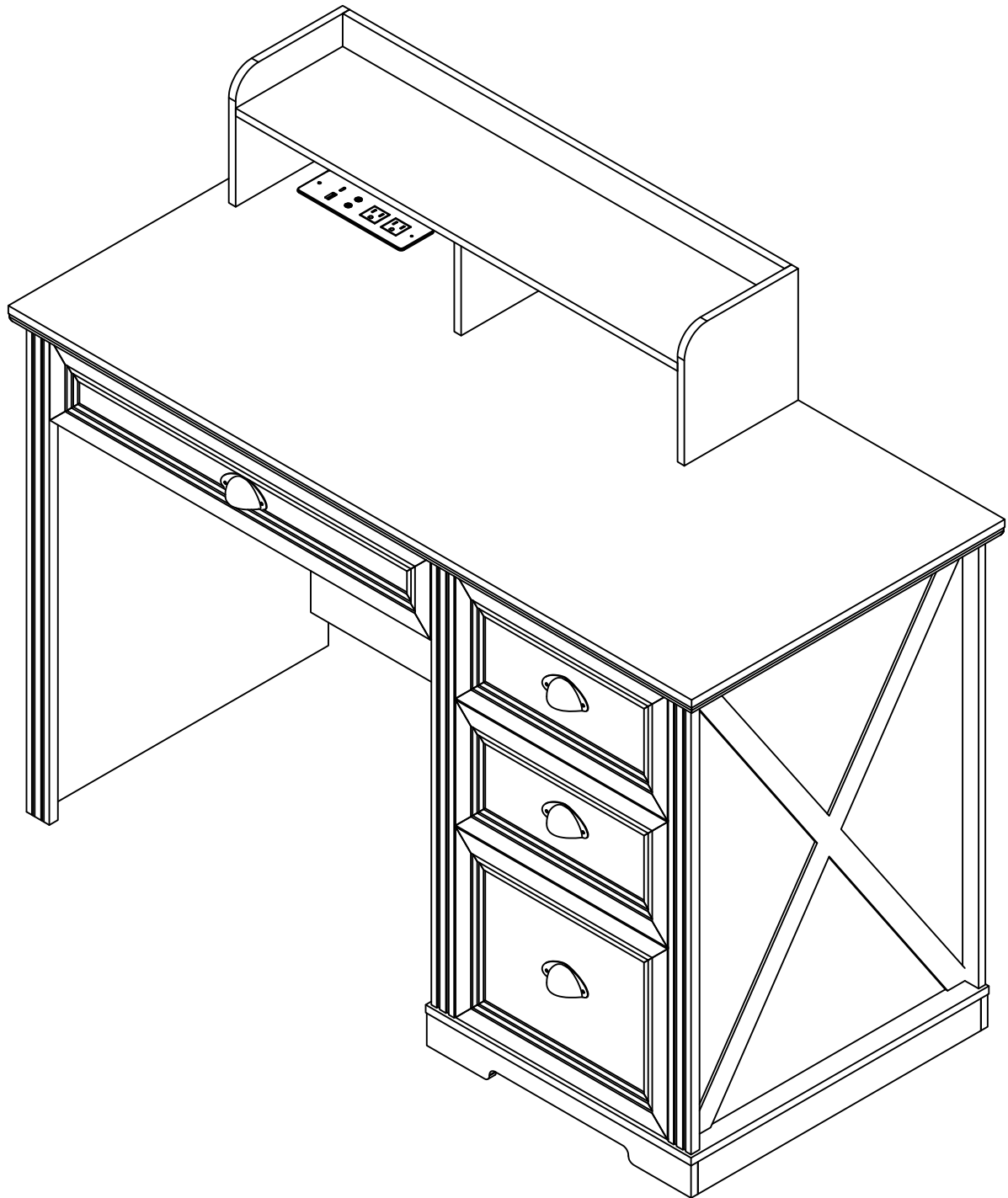
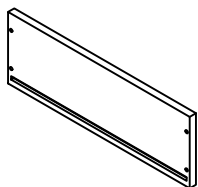
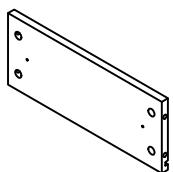


Product Installation Instructions

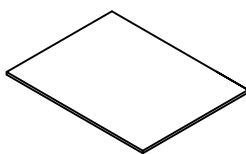




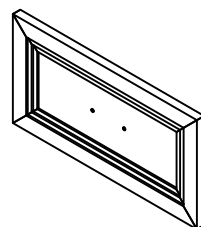
1x2



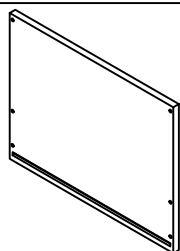
2x4



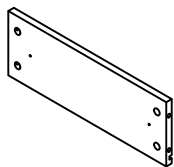
3x2



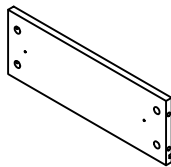
4x2



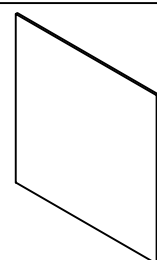
5x1



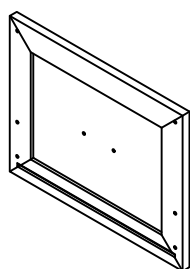
6x1



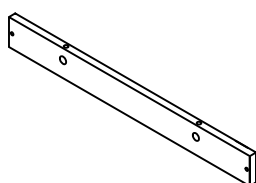
7x1



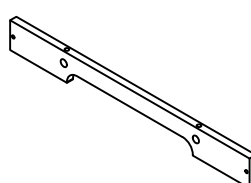
8x1



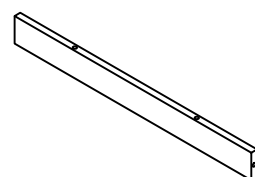
9x1



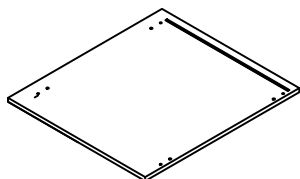
10x1



11x1



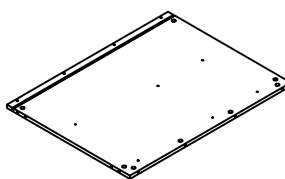
12x2



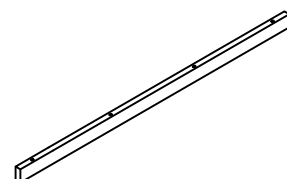
13x1



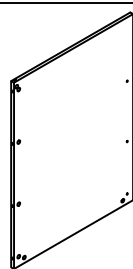
14x1



15x1



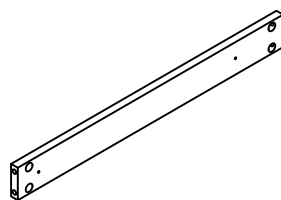
16x1



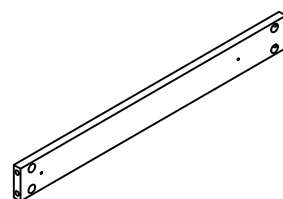
17x1



18x1



19x2



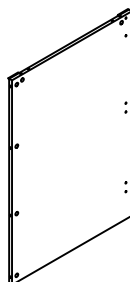
20x1



21x1



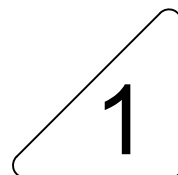
22x1



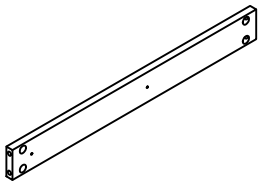
23x1



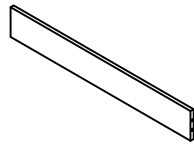
24x1



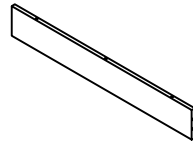
1



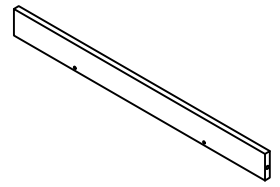
25x1



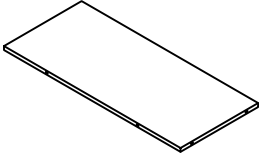
26x1



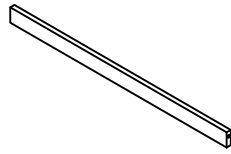
27x1



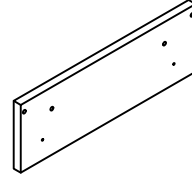
28x1



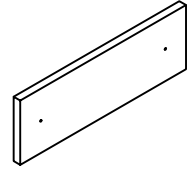
29x1



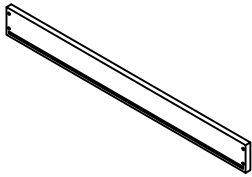
30x1



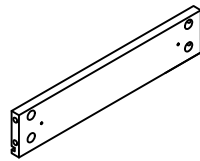
31-ax1



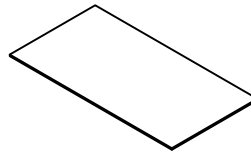
31-bx1



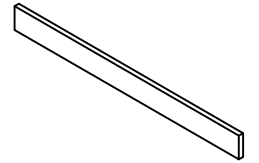
32x1



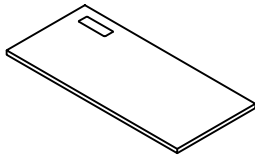
33x2



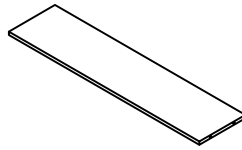
34x1



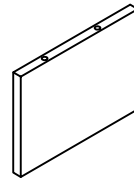
35x1



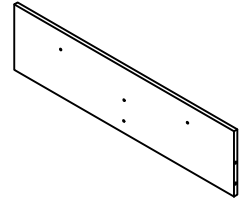
36x1



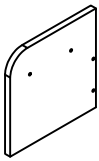
37x1



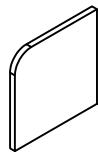
38x1



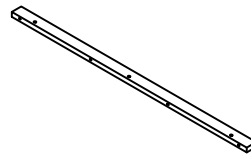
39x1



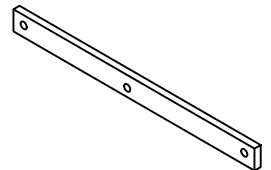
40x1



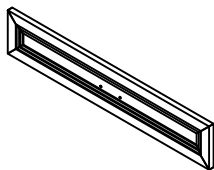
41x1



42x1

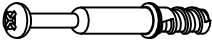

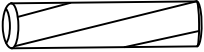

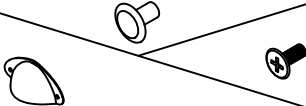

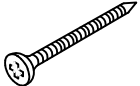



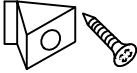
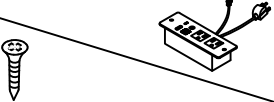


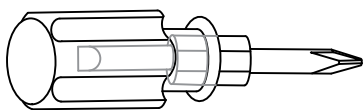
43x1



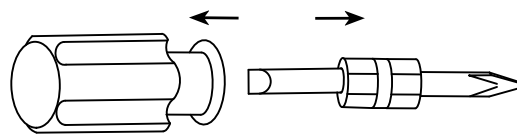
44x1

Accessories list

A		Two In One Screw (6x28mm)	126pcs +6pcs
B		Two In One Nut (10x12mm)	126pcs +6pcs
C		Wood Chipping (6x30mm)	8pcs +2pcs
D		Screw & Guide(29-cm) (3x12mm)	48pcs +2pcs 8pcs
E		Handle & Accounting nail (5x4mm) & Screw (4x6mm)	8pcs +1pcs 8pcs +1pcs 4pcs
F		Iron wire(352-cm)	2pcs
G		Screw (M3.5x30mm)	4pcs +1pcs
H		Non-slip pads	7pcs +1pcs
I		Screw (3.5x25mm)	4pcs +1pcs
J		Screw & Guide(34-cm) (3x12mm)	12pcs +2pcs 2pcs
K		Fixing clip & screw (3x16mm)	6pcs +2pcs
L		Power Socket & Screw (3x10mm)	2pcs +1pcs 1pcs

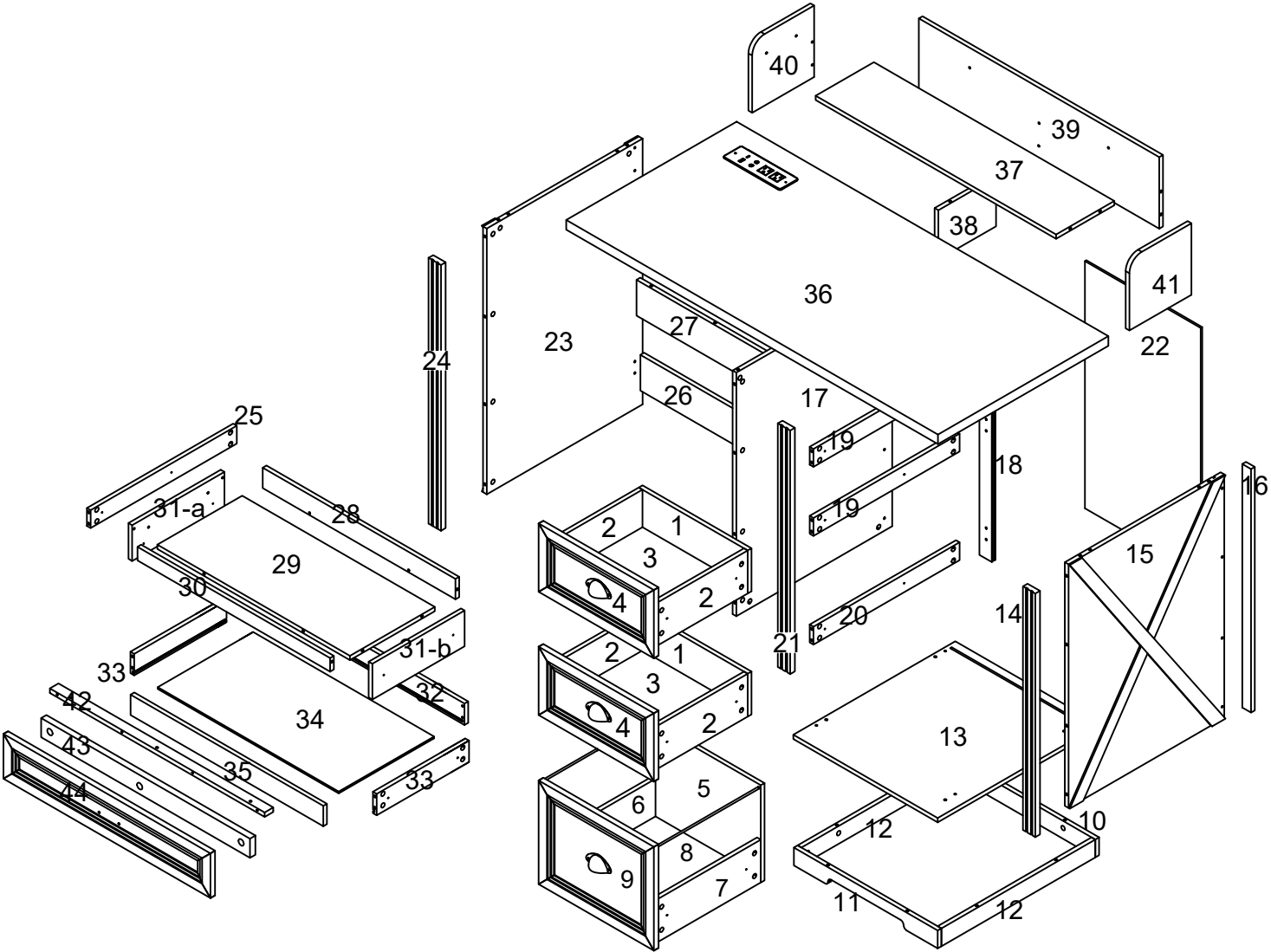


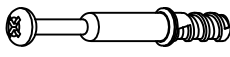


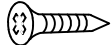
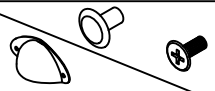

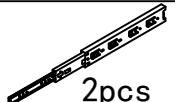
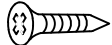
1pcs

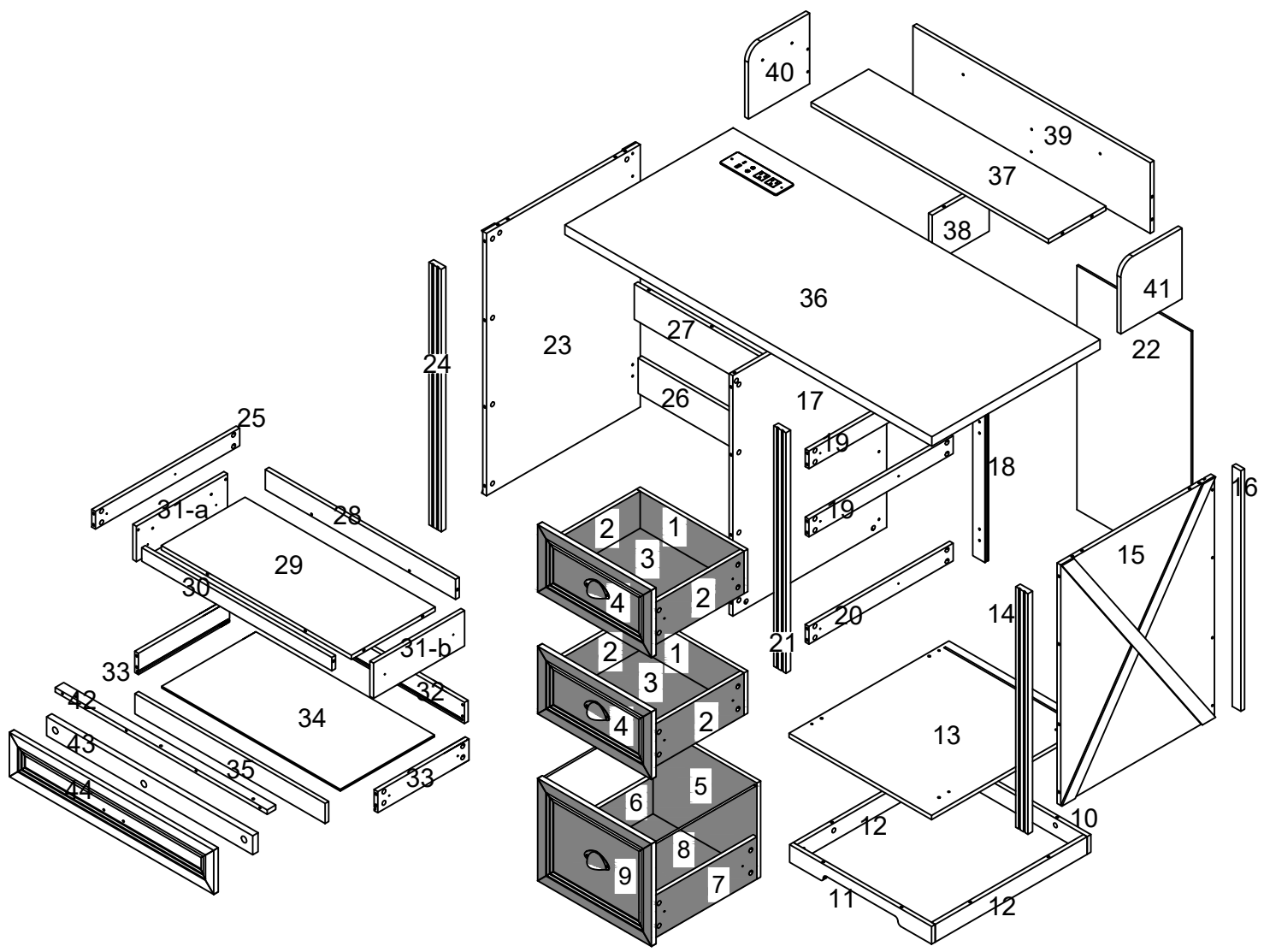


Double-head screwdriver, use as required

Product structure decomposition

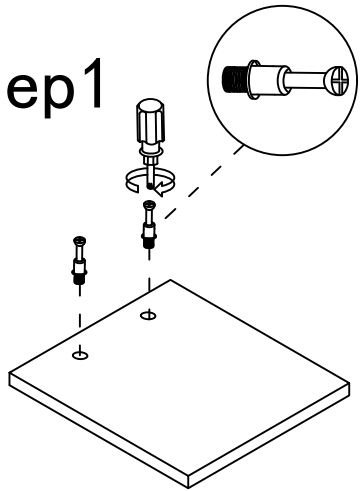


A		24pcs	B		24pcs	D			8pcs
E		6pcs 6pcs 3pcs	F		2pcs	J			4pcs

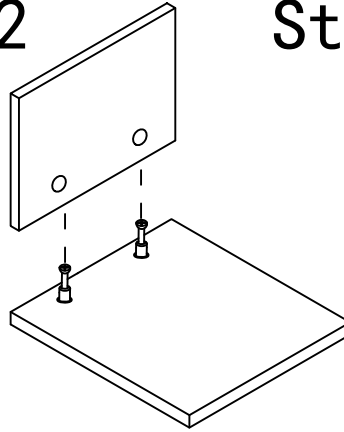


Screw installation method

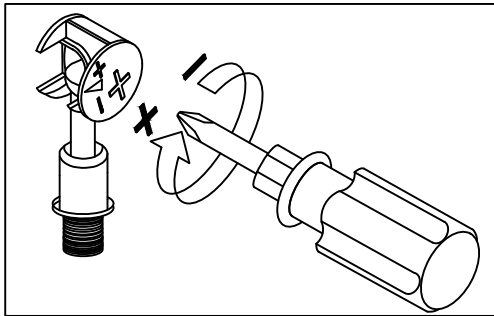
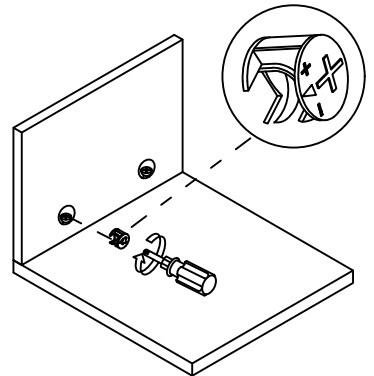
Step1



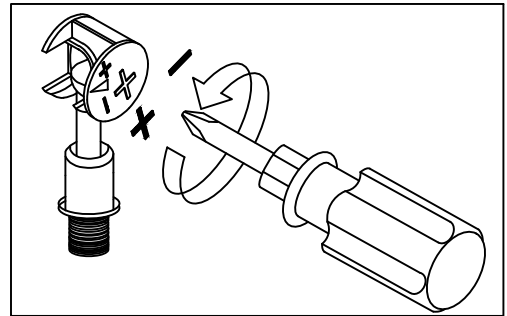
Step2



Step3

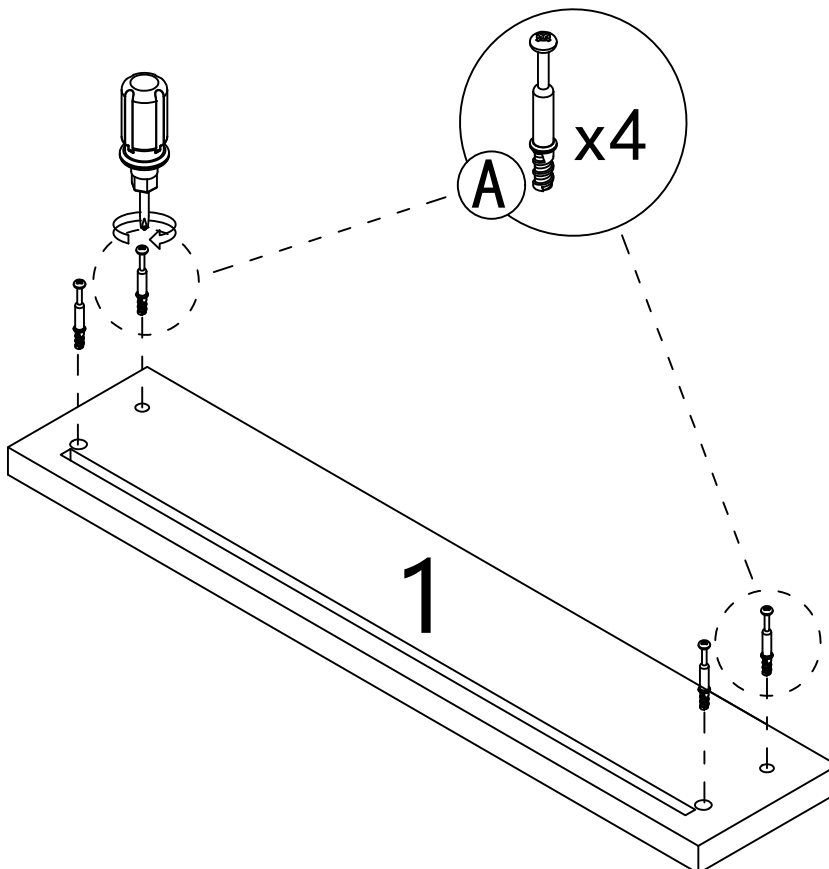
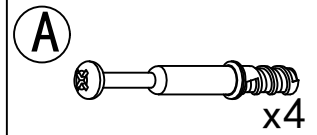


Use a screwdriver to lock in the direction of the "+" sign

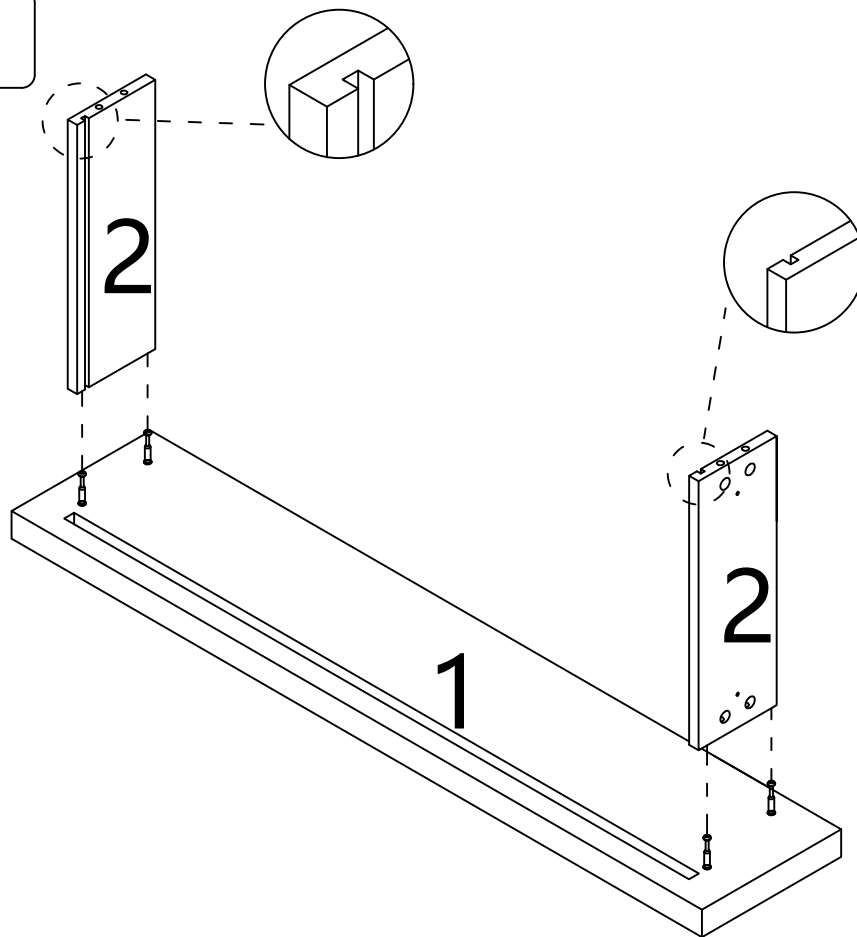


Disassemble along the direction of "-" sign

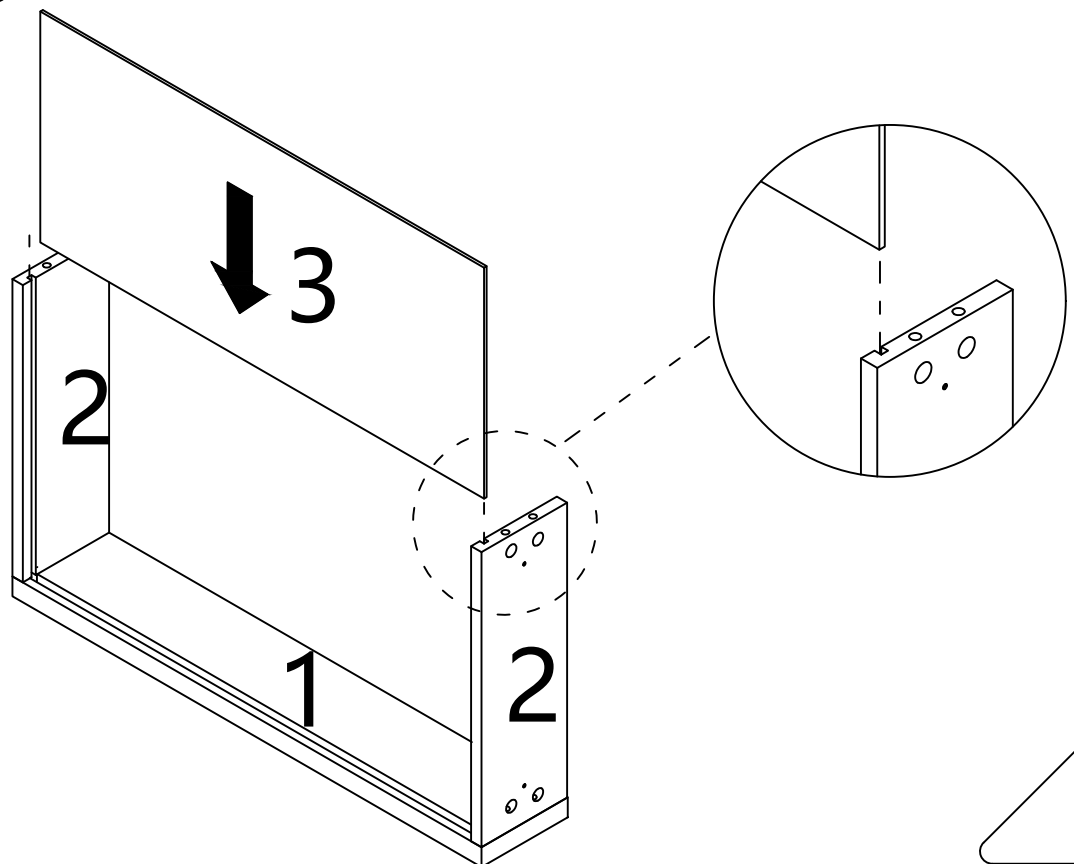
Step 1



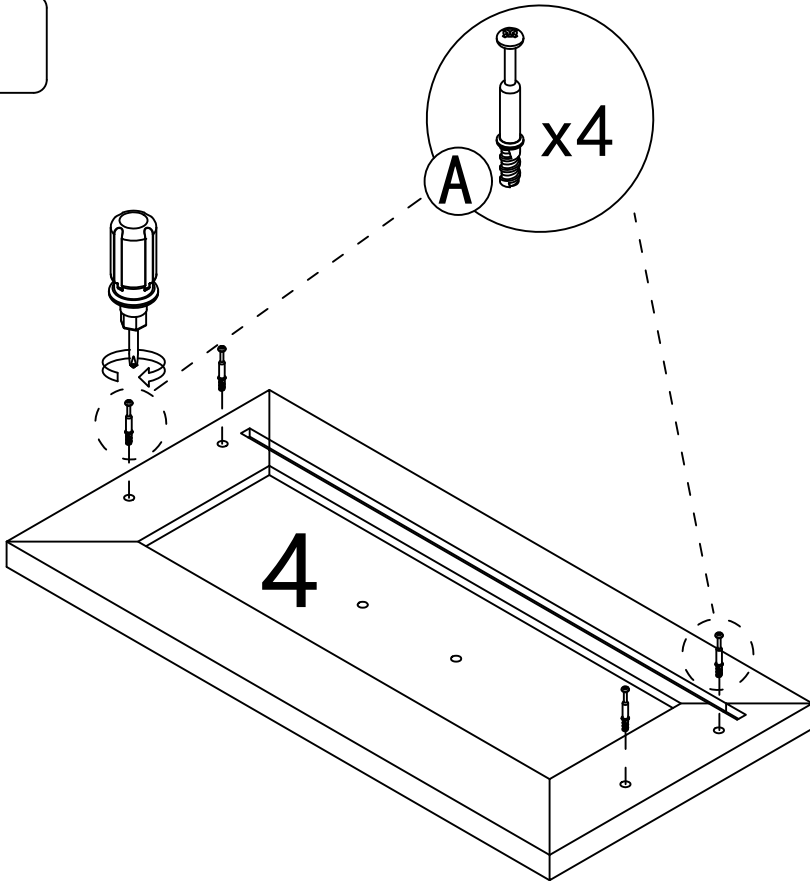
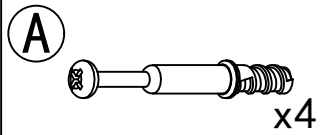
Step 2



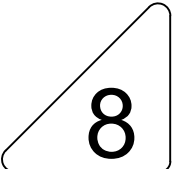
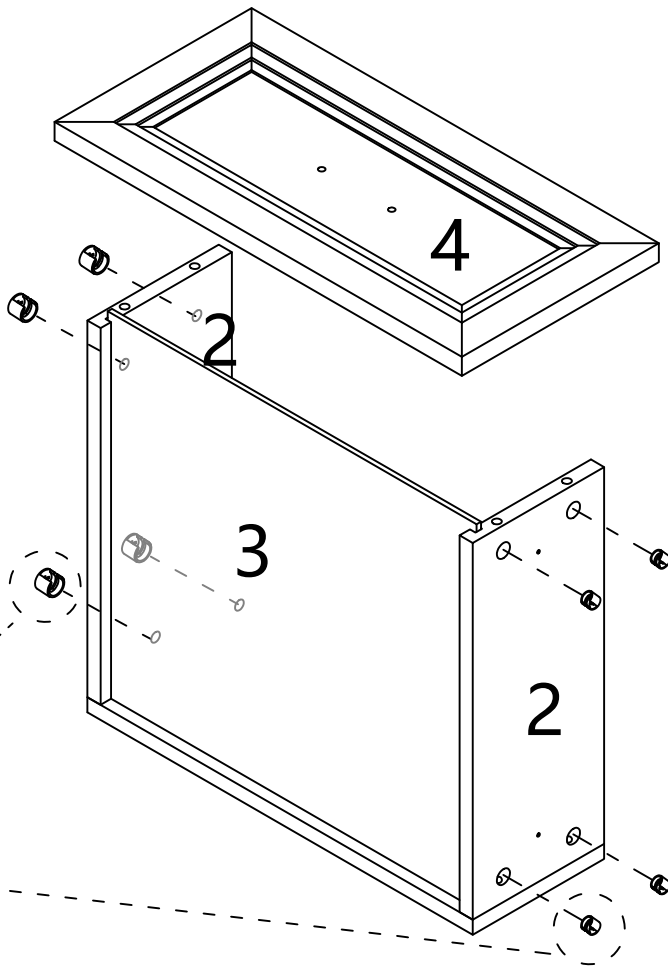
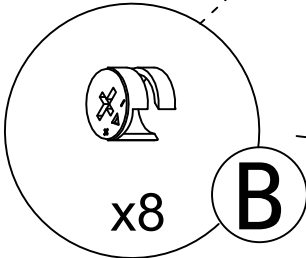
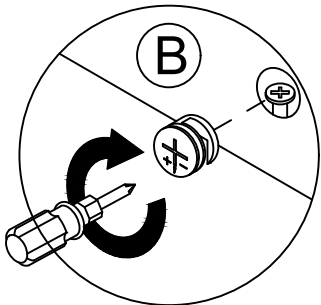
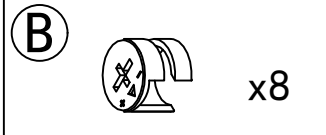
Step 3



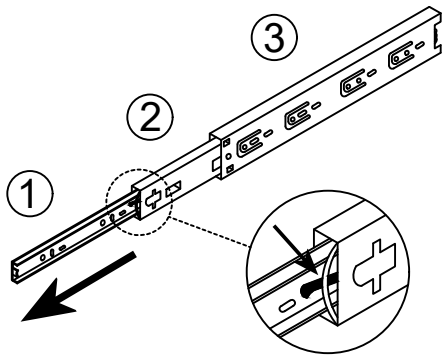
Step 4



Step 5

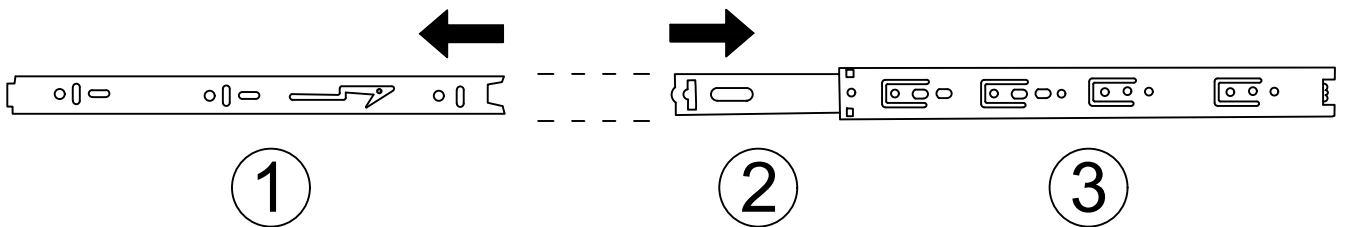
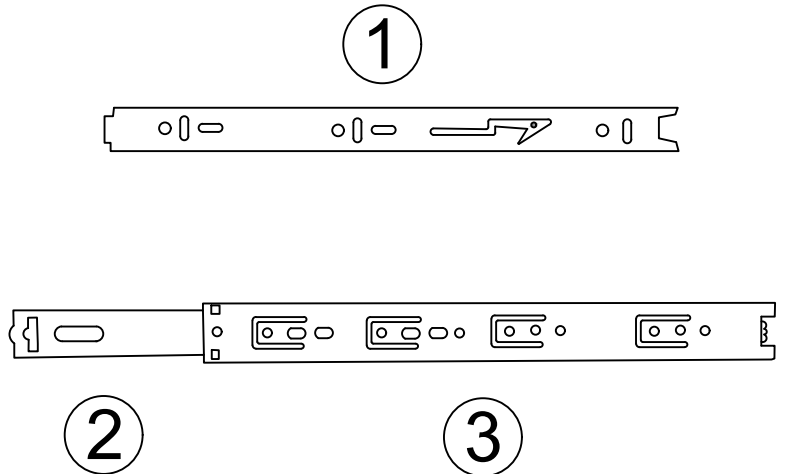


Drawer rail breakdown diagram

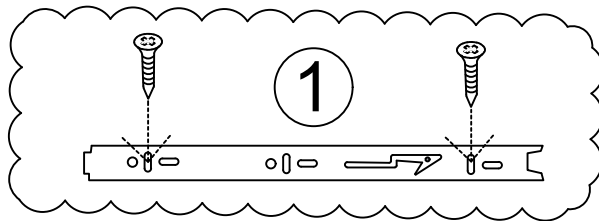


Step 1 : Pull the rails apart

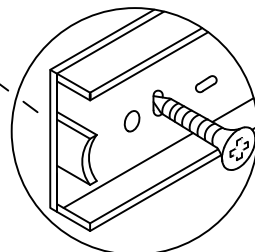
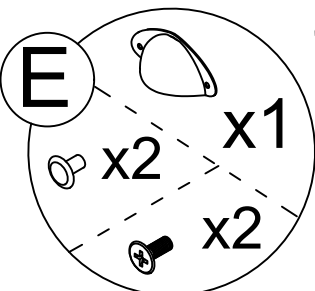
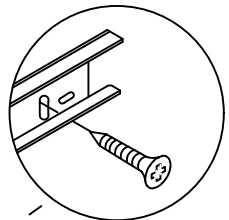
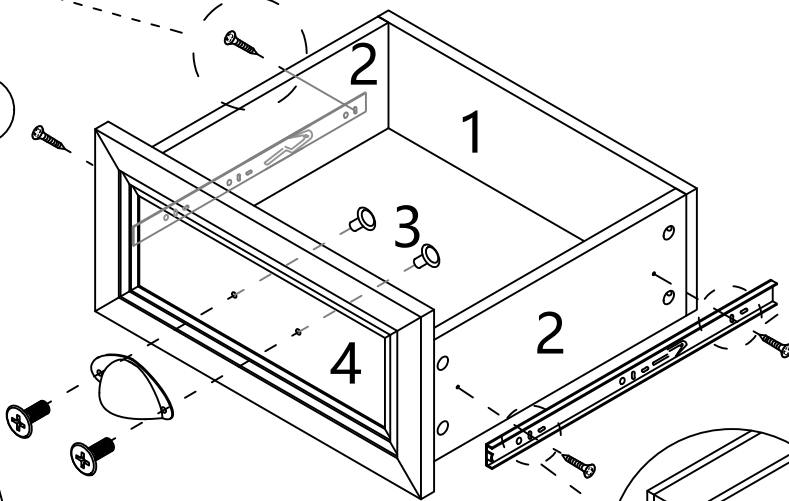
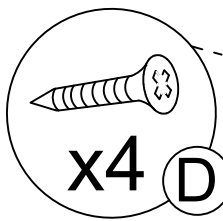
Step 2 : Push the nylon buckle outward ①



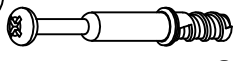
Step 6







- E
 x1
 x2
 x2
- D
 x2
- x4

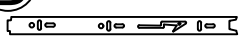



Step 7

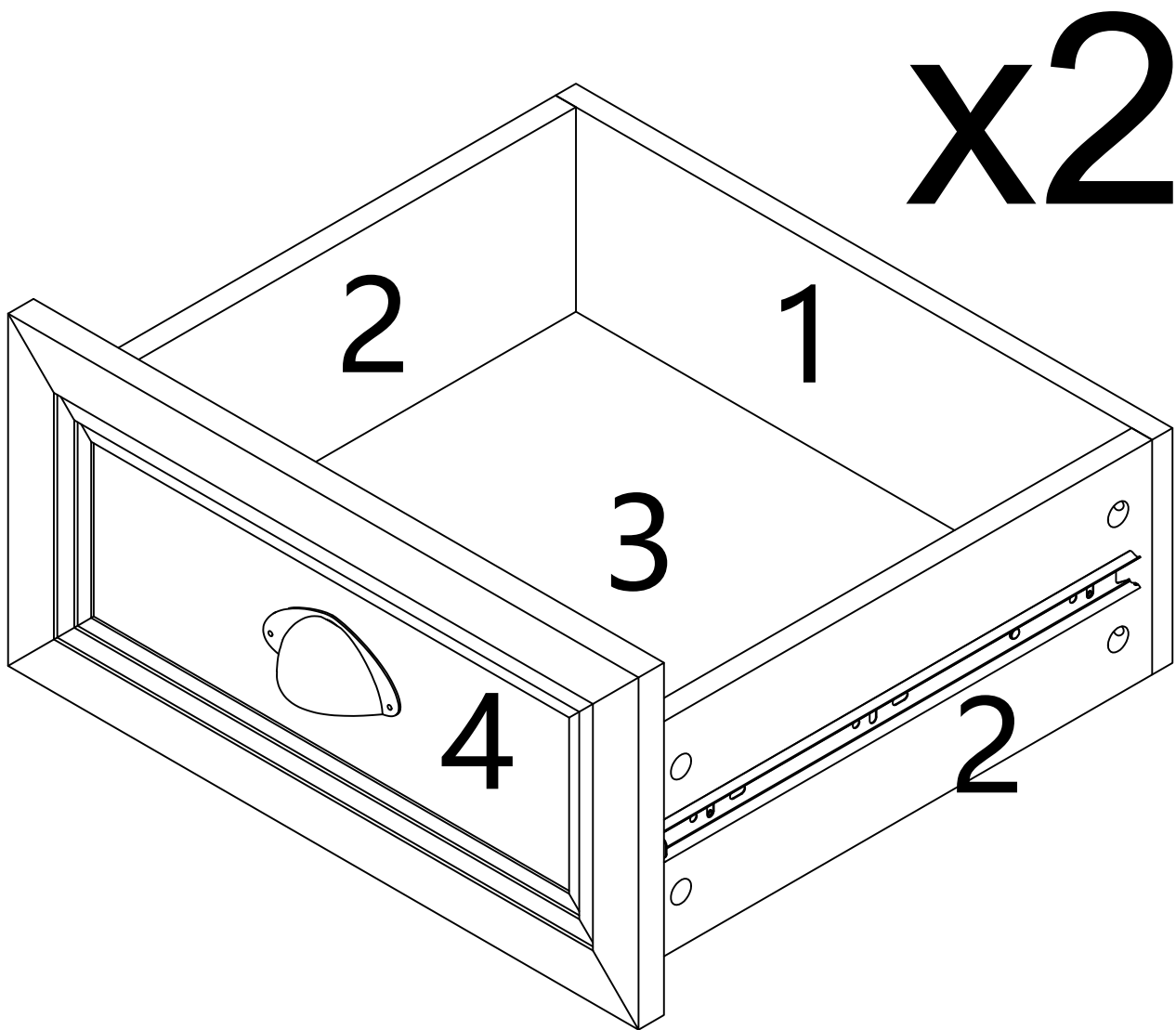
A  x8

E  x1  x2  x2

B  x8

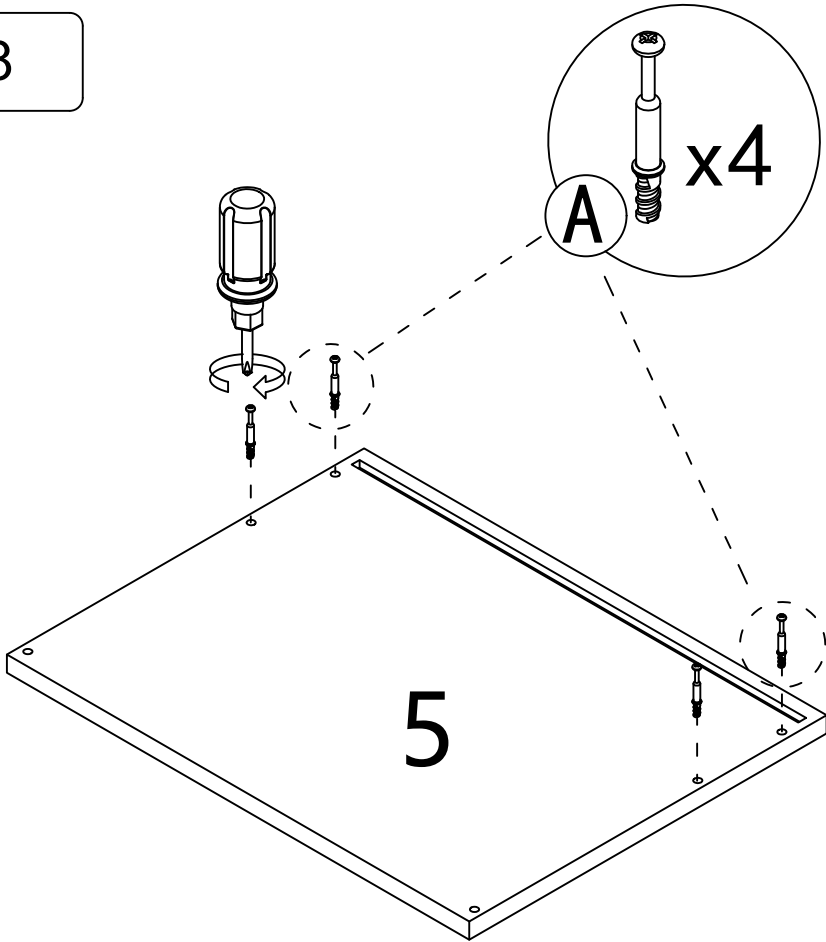
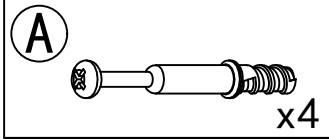
D  x2

 x4

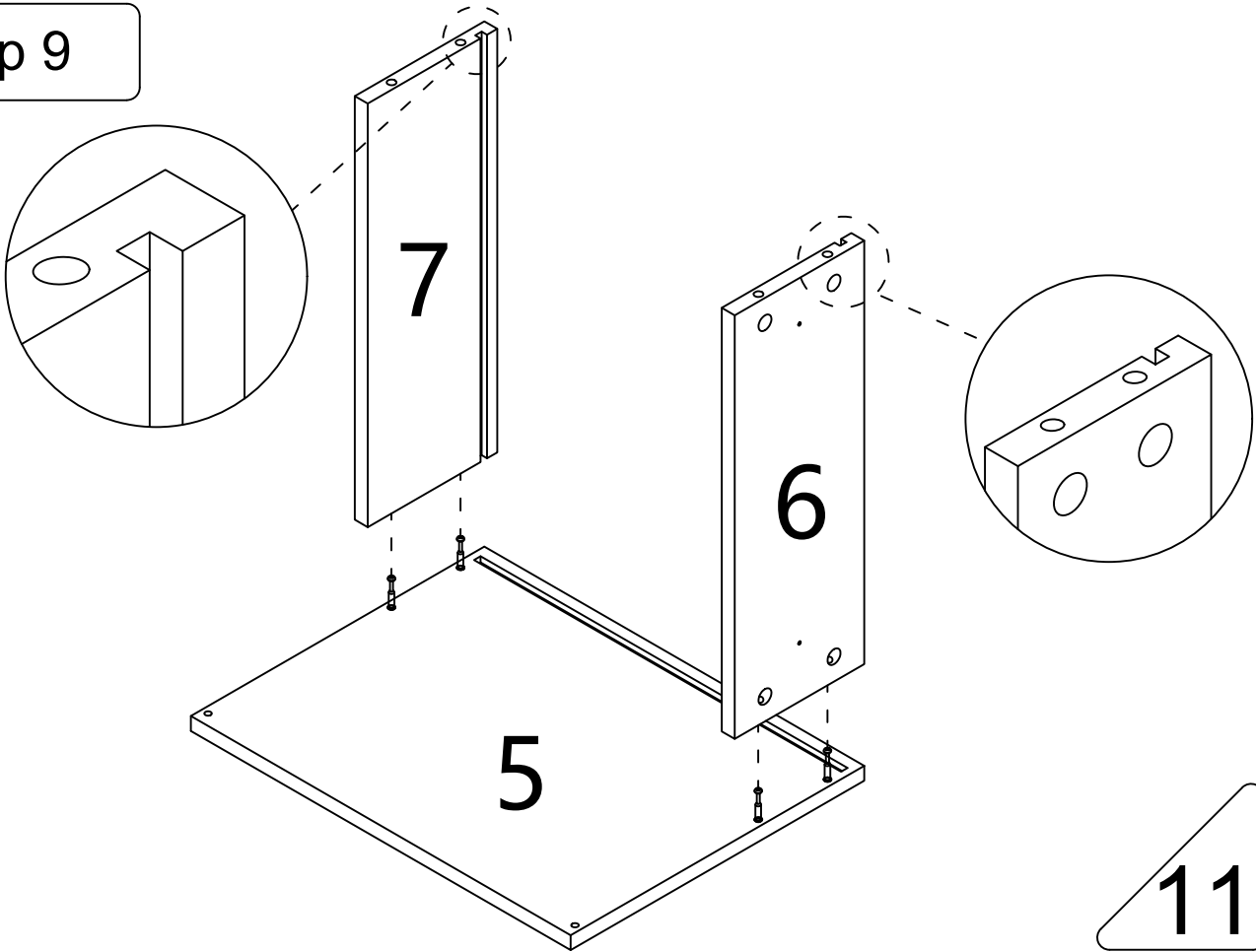


Repeat the drawer installation steps

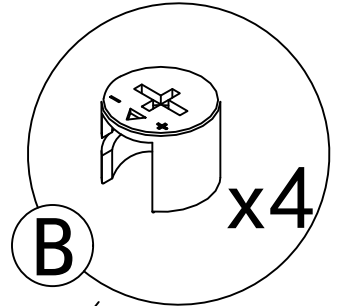
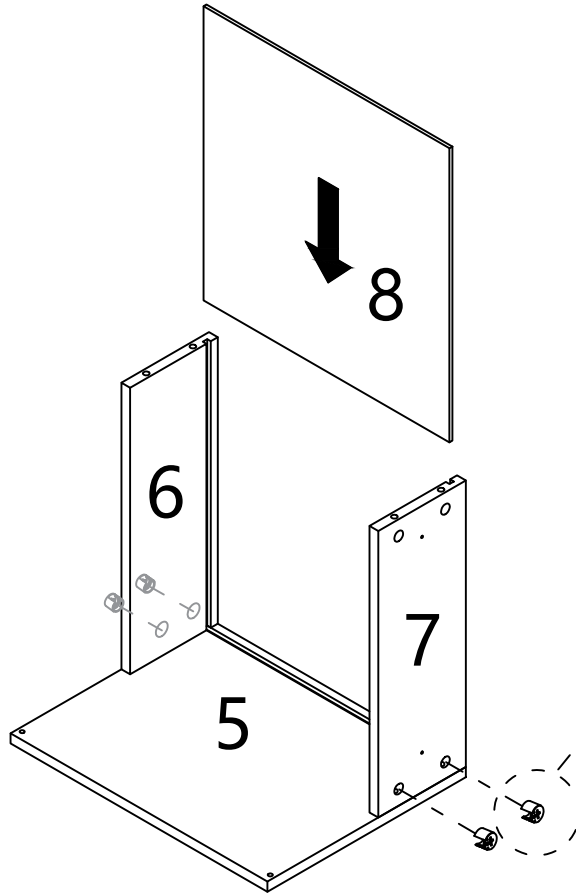
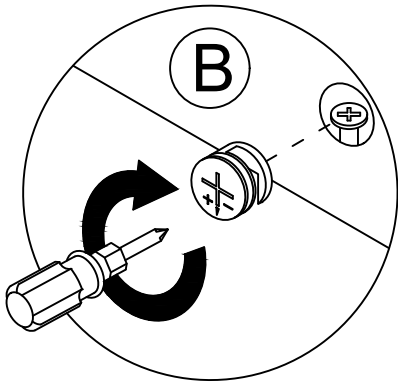
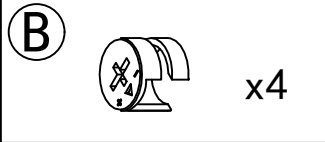
Step 8



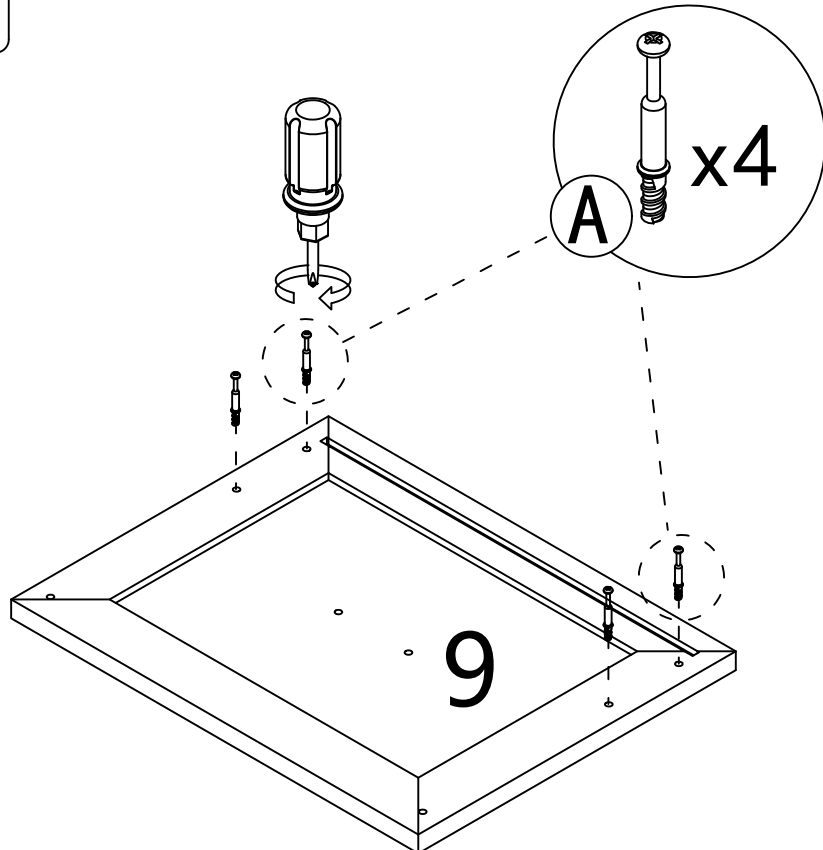
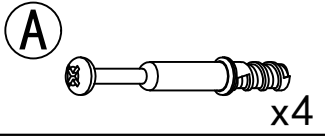
Step 9





Step 10

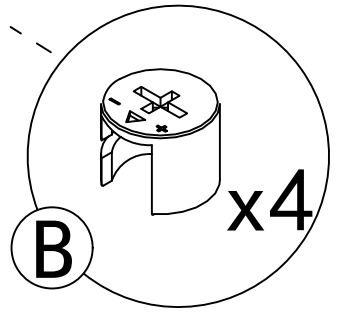
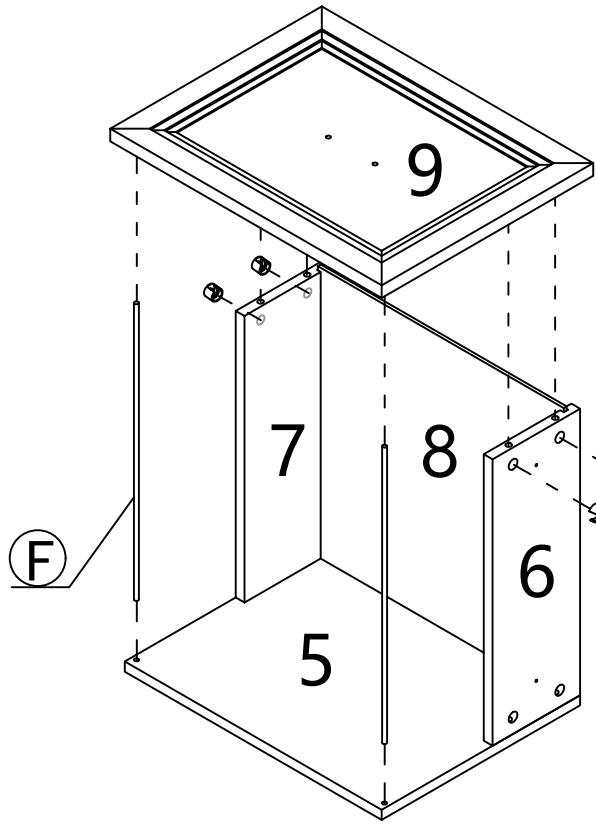
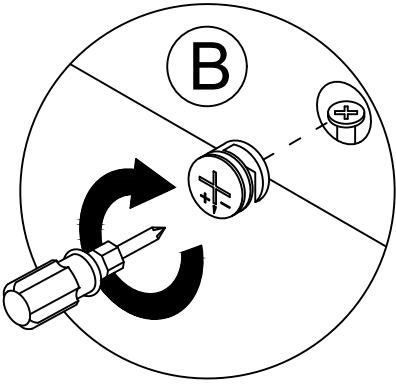


Step 11







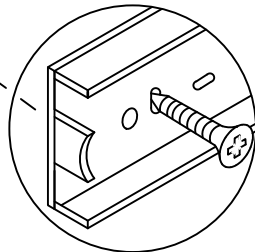
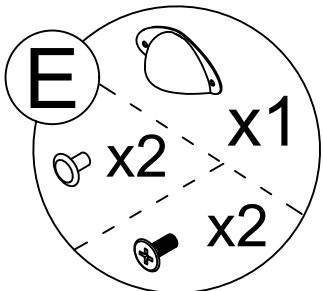
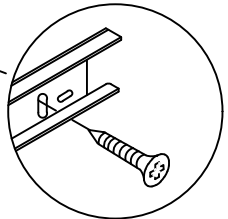
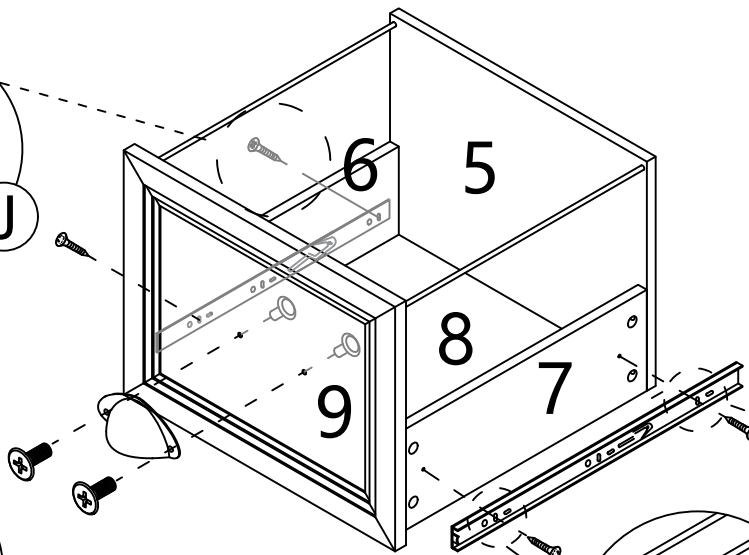
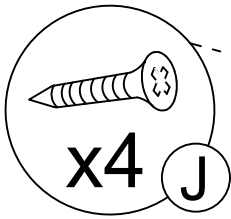
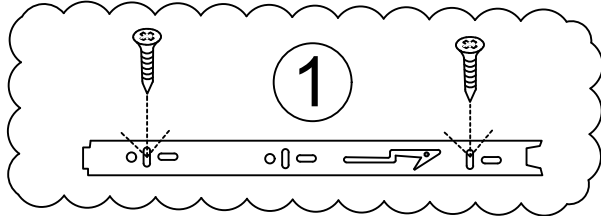
Step 12

- (B)  x4
- (F)  x2

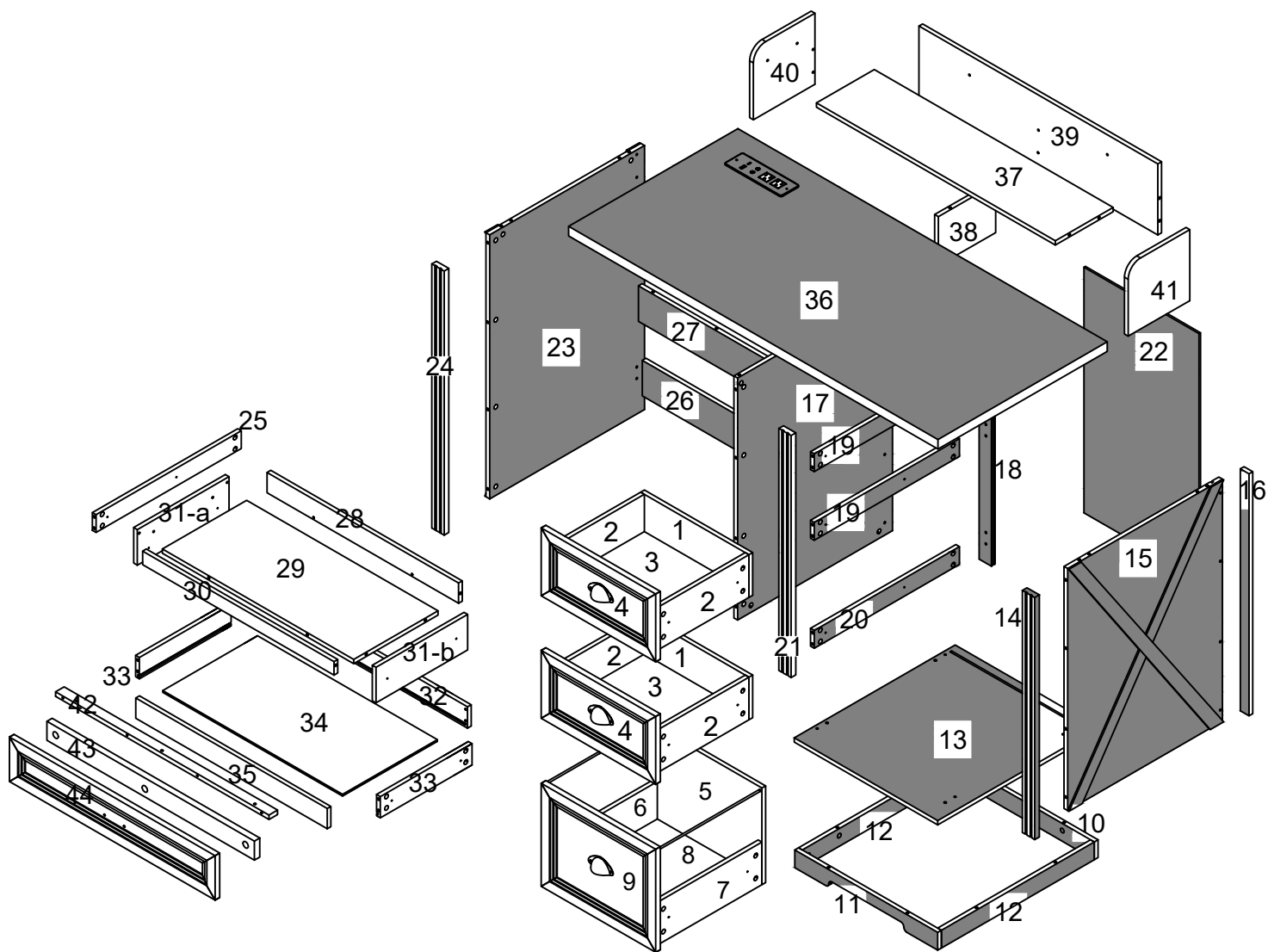


Step 13

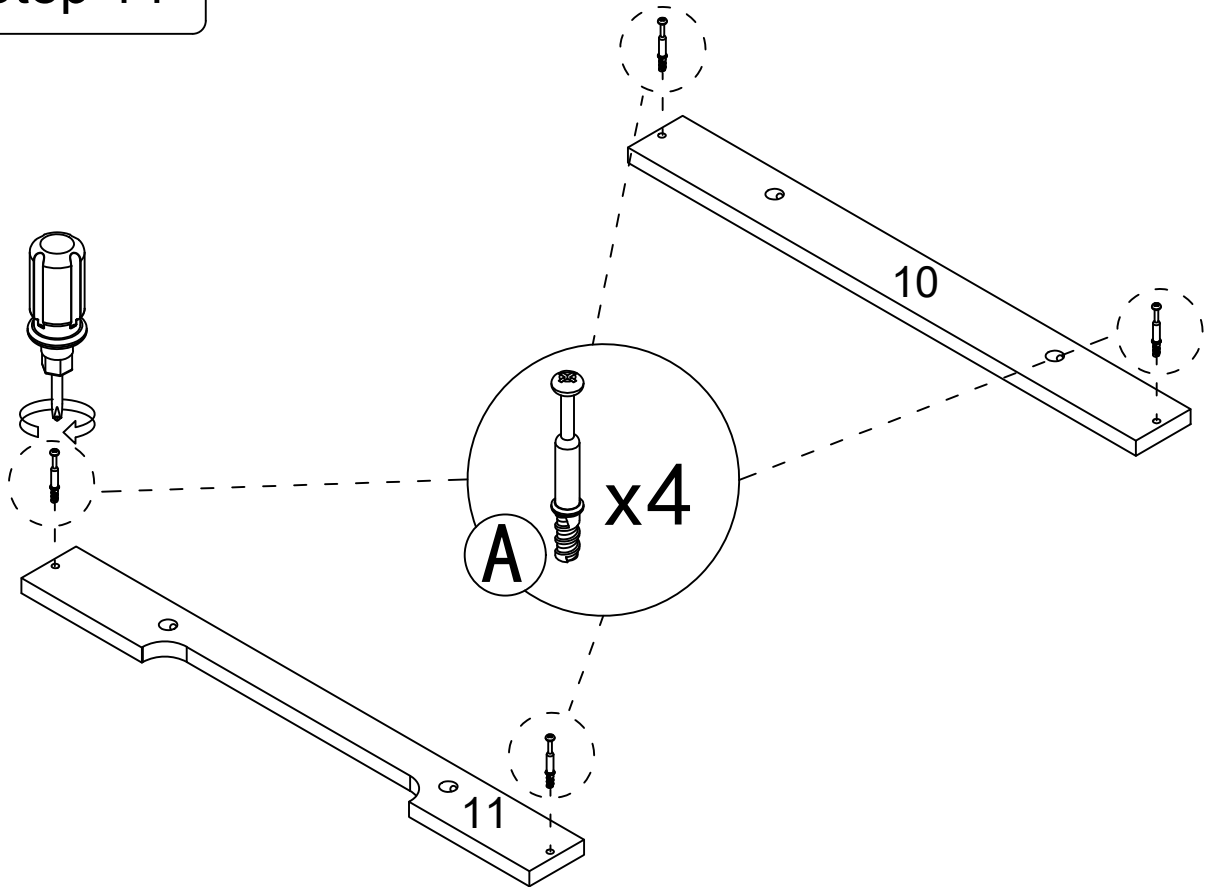
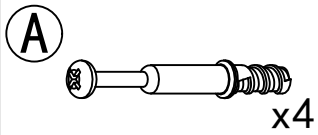
- (E)  x1  x1
- (J)  x2
-  x4



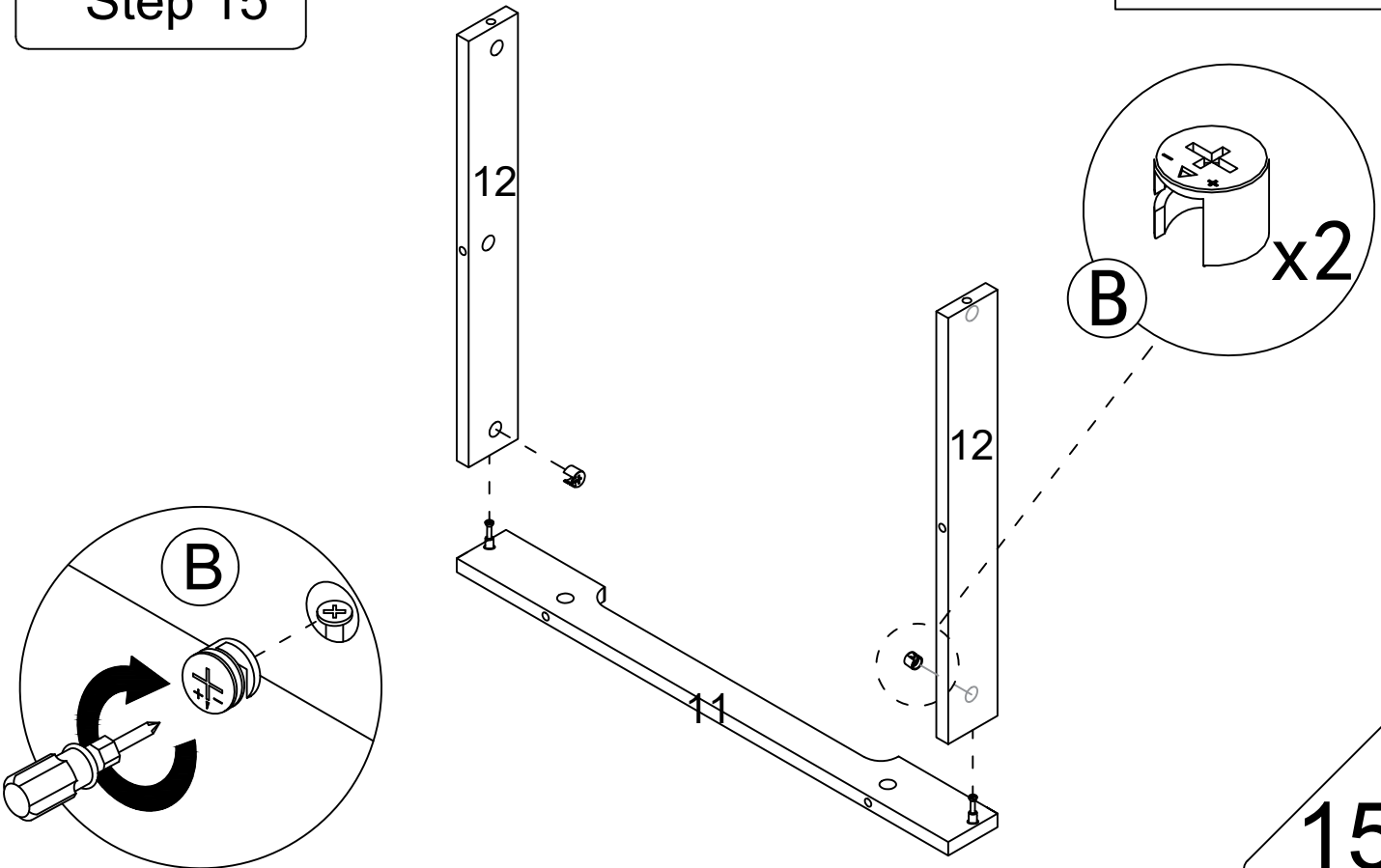
A		65pcs	B		65pcs	C		8pcs
D		6pcs	H		7pcs	K		6pcs
I		4pcs	J		6pcs 2pcs	L		2pcs 1pcs



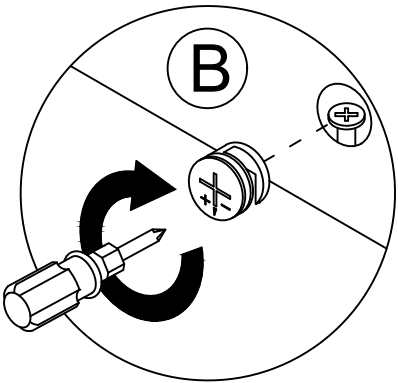
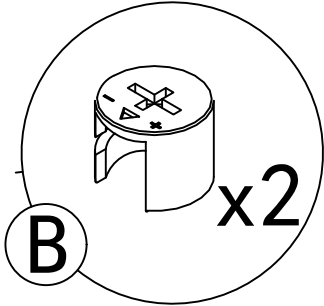
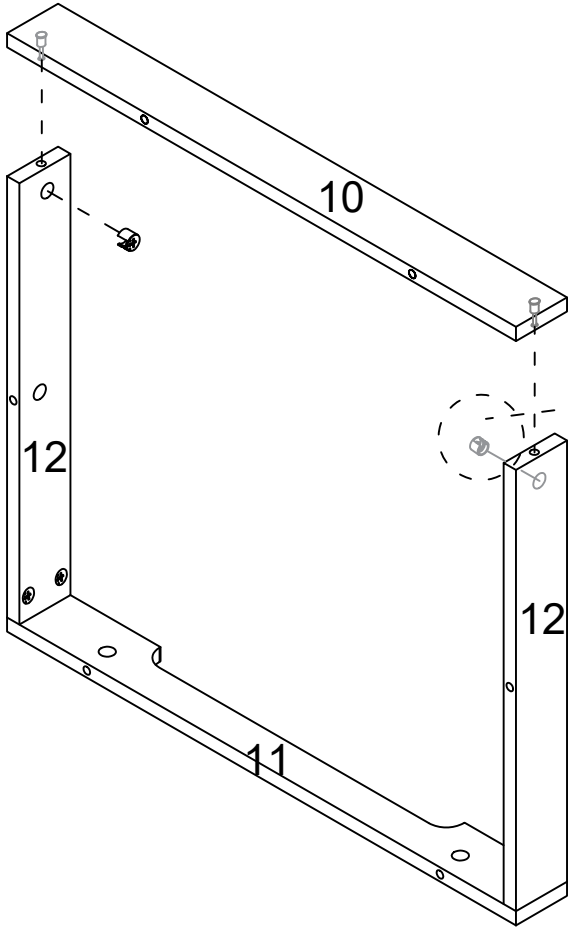
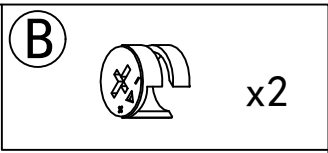
Step 14



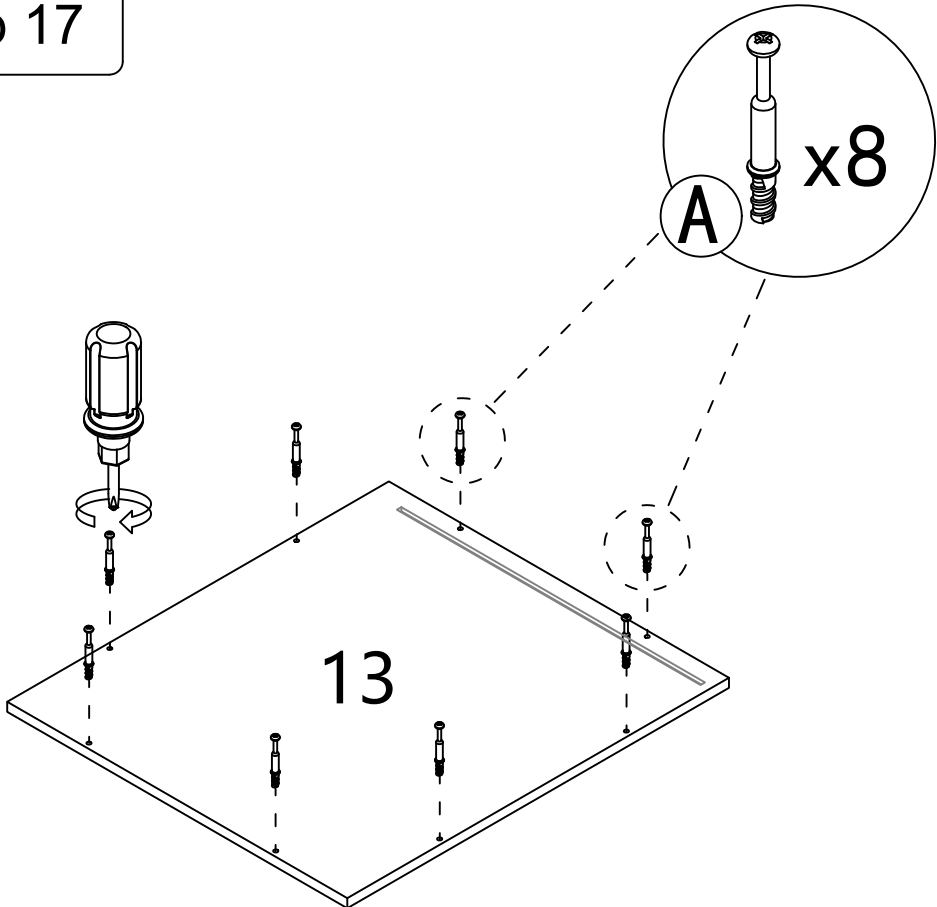
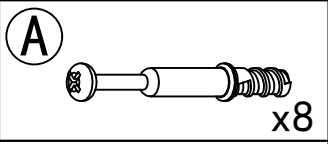
Step 15



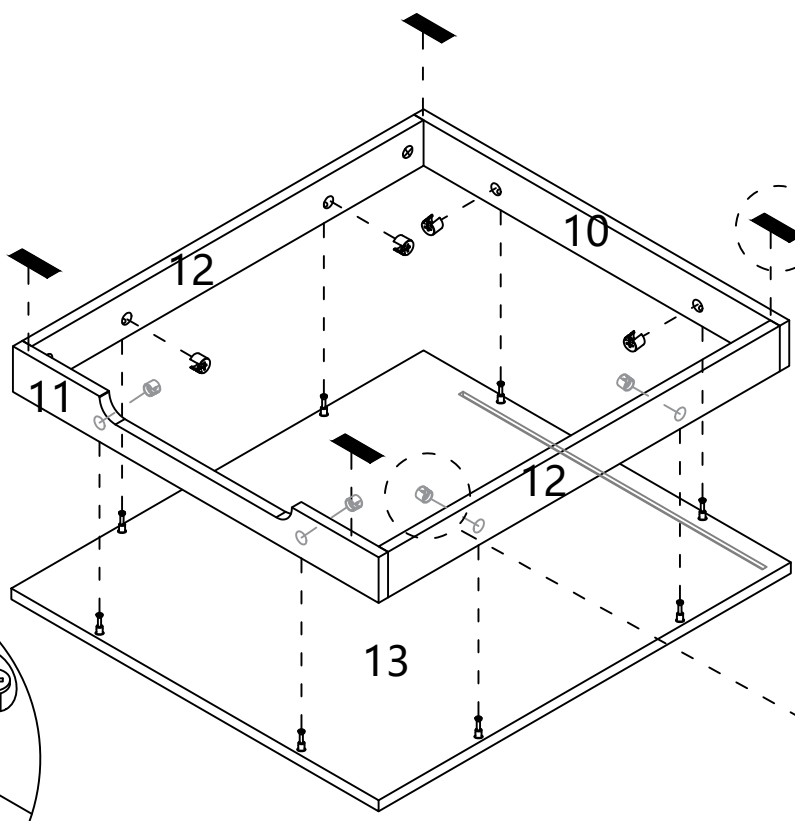
Step 16



Step 17





Step 18



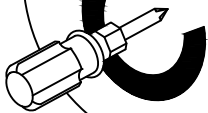


B  x8


H  x4

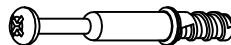
H  x4

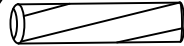
B  x8


B   

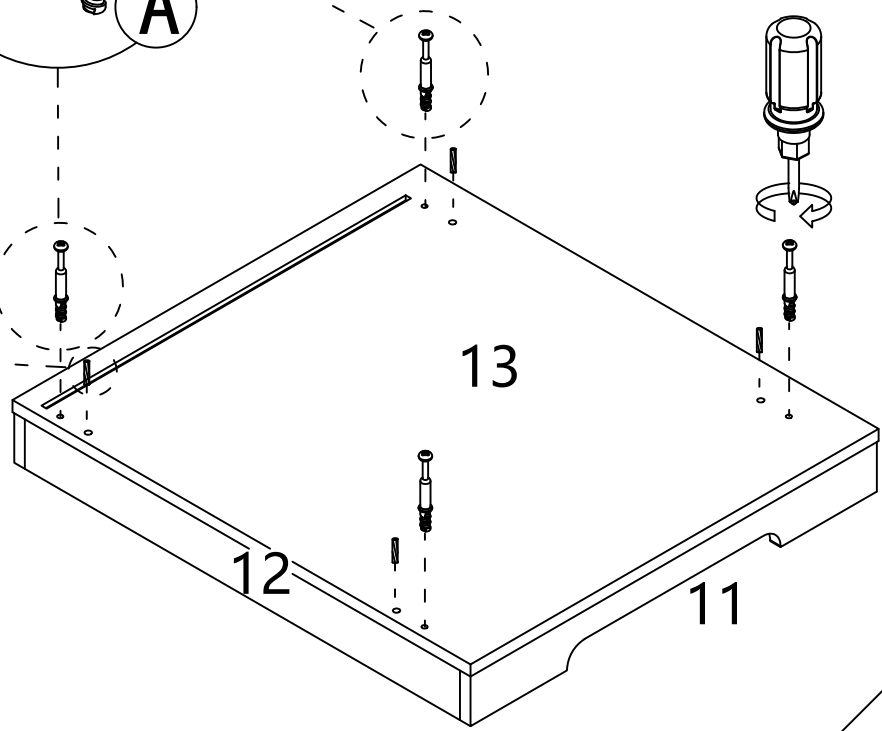
Step 19

A  x4

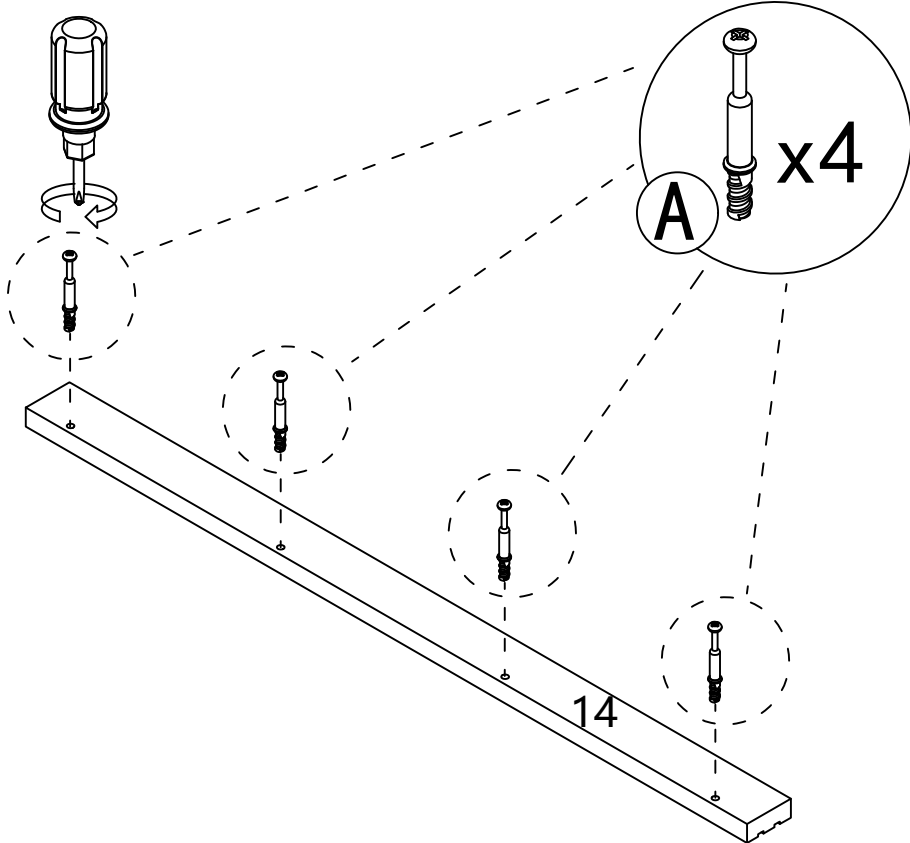
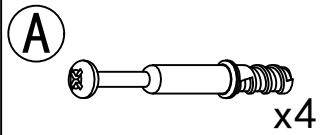
A  x4

C  x4

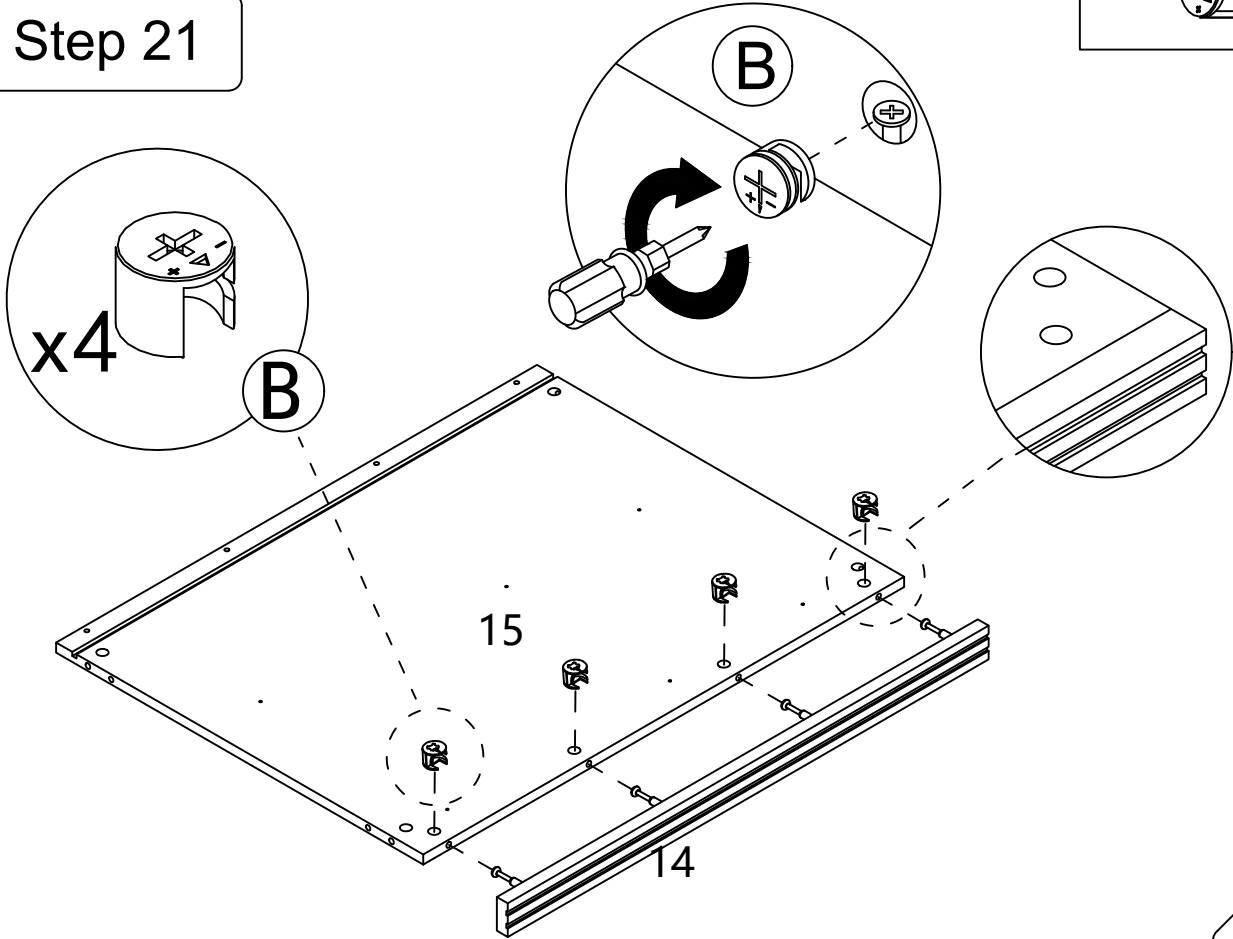
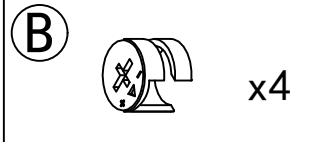
C  x4




Step 20

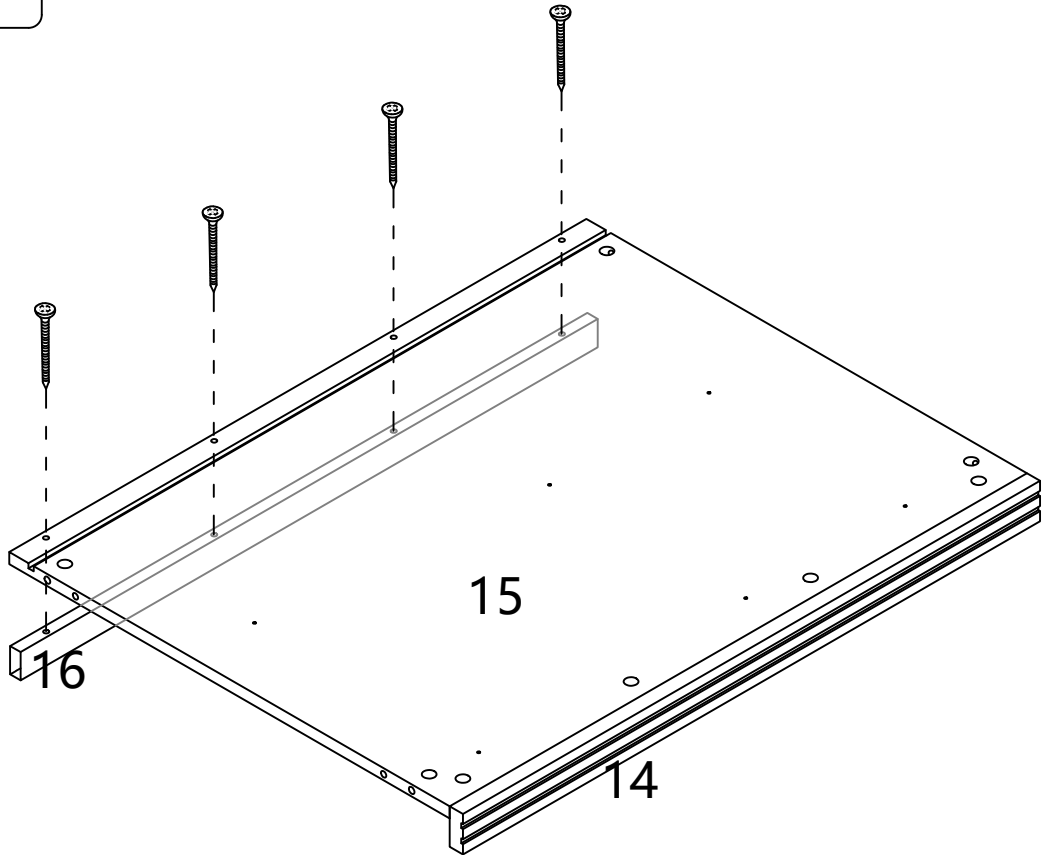


Step 21

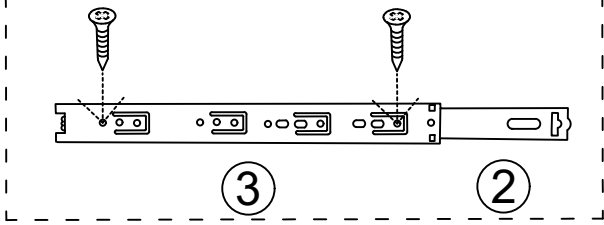


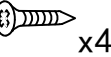
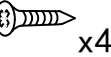

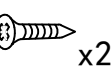
Step 22

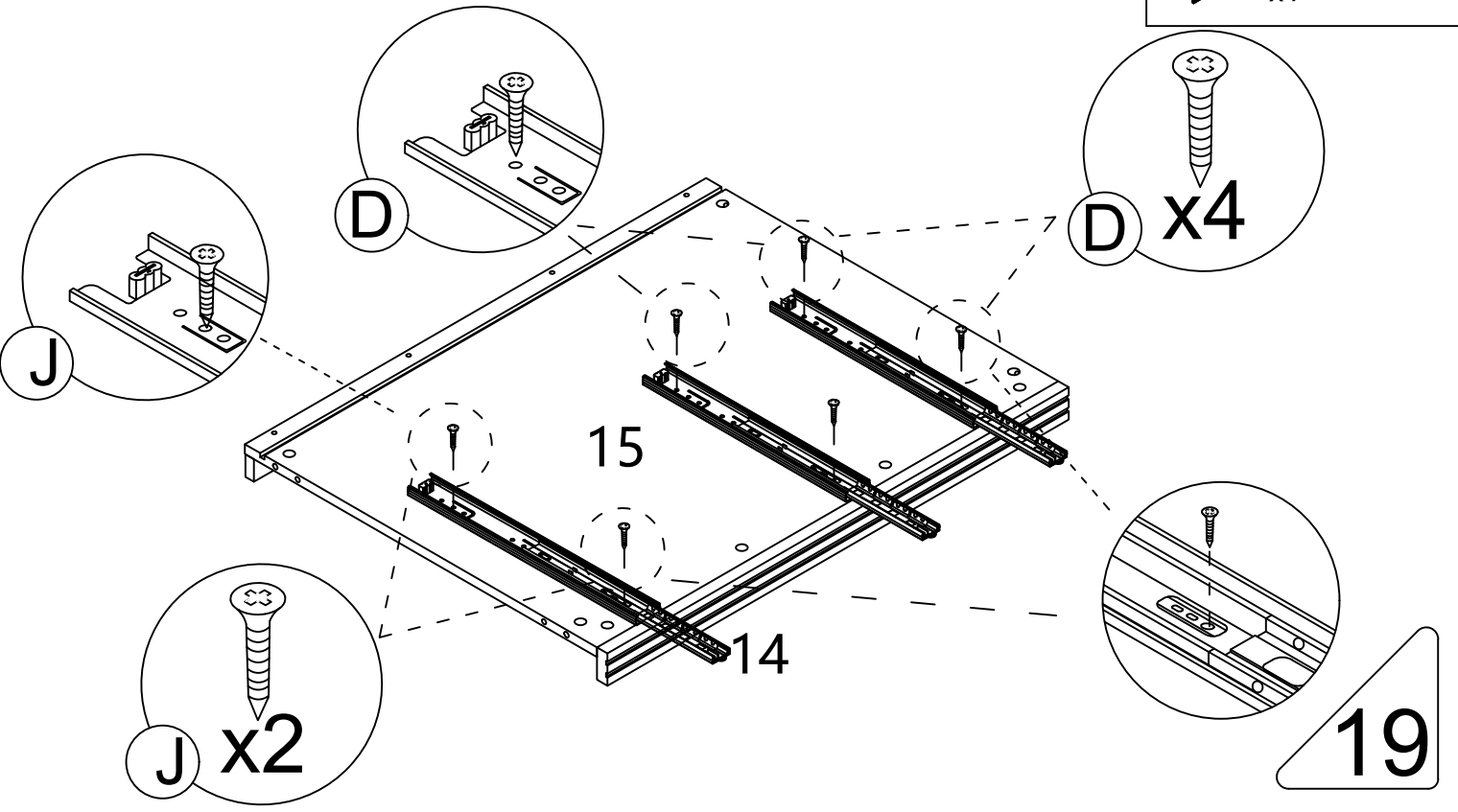
- I  x4



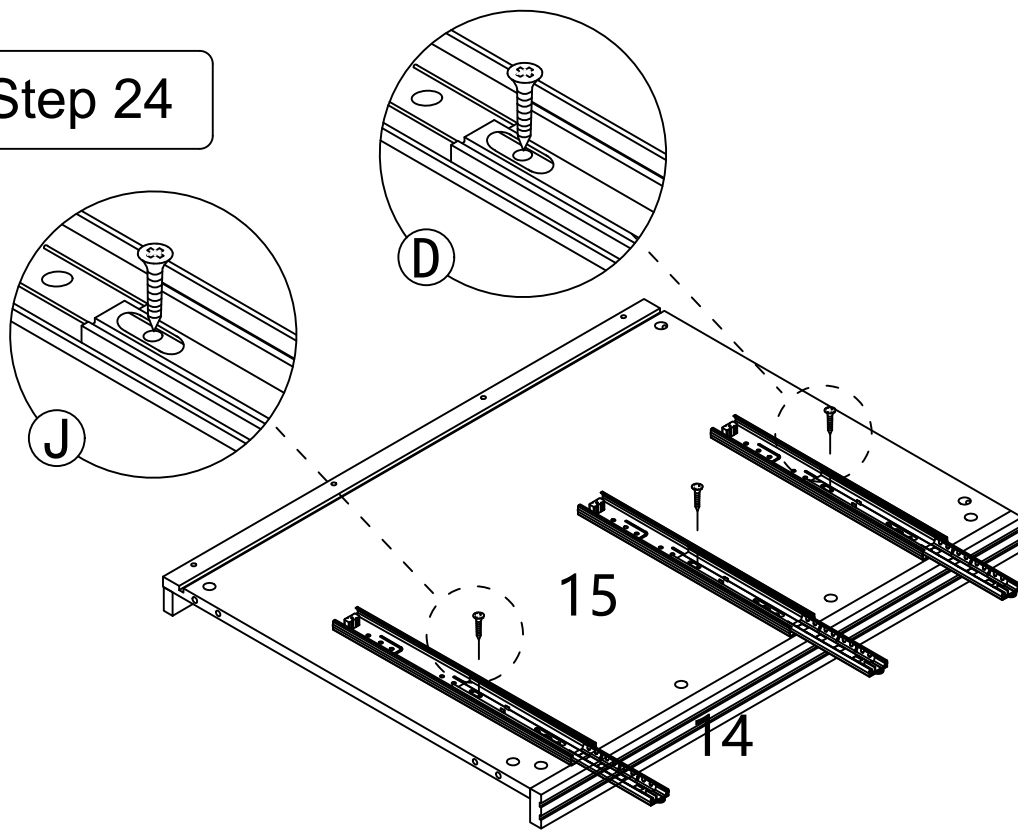
Step 23




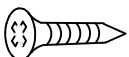
- D  x2  x4
- J  x1  x2



Step 24

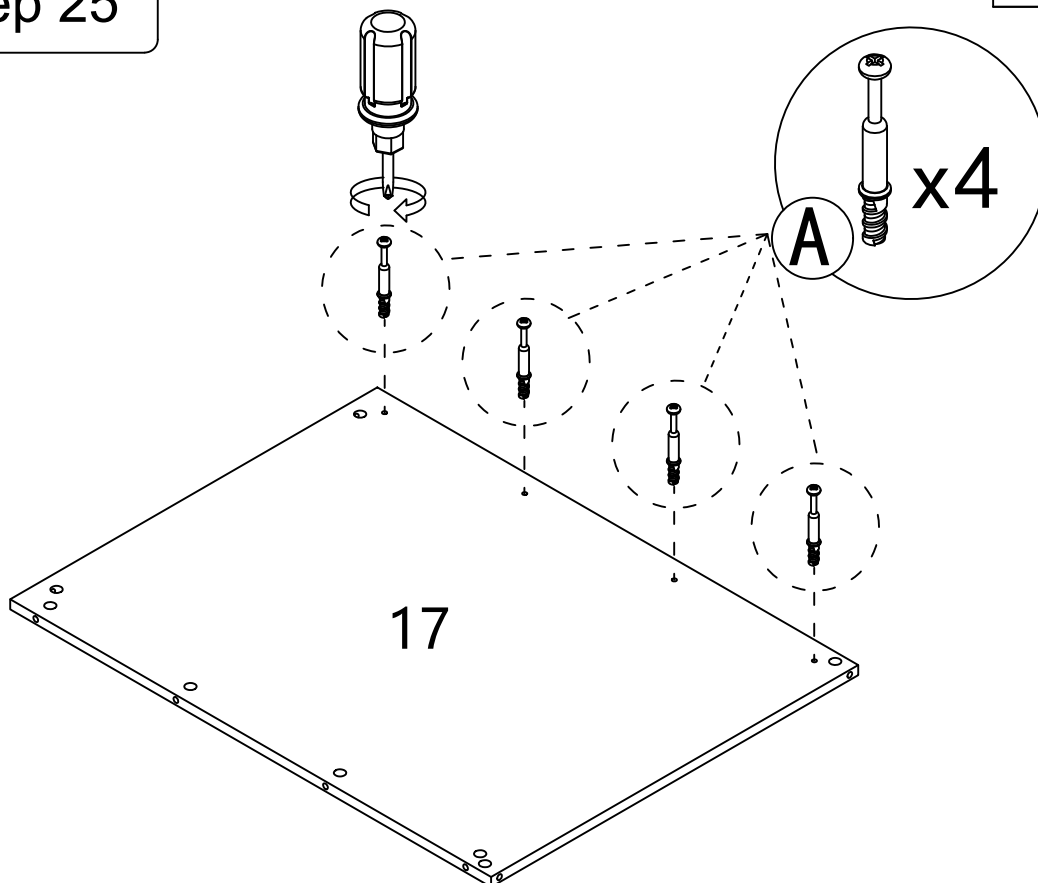


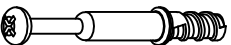
D  x2

J  x1

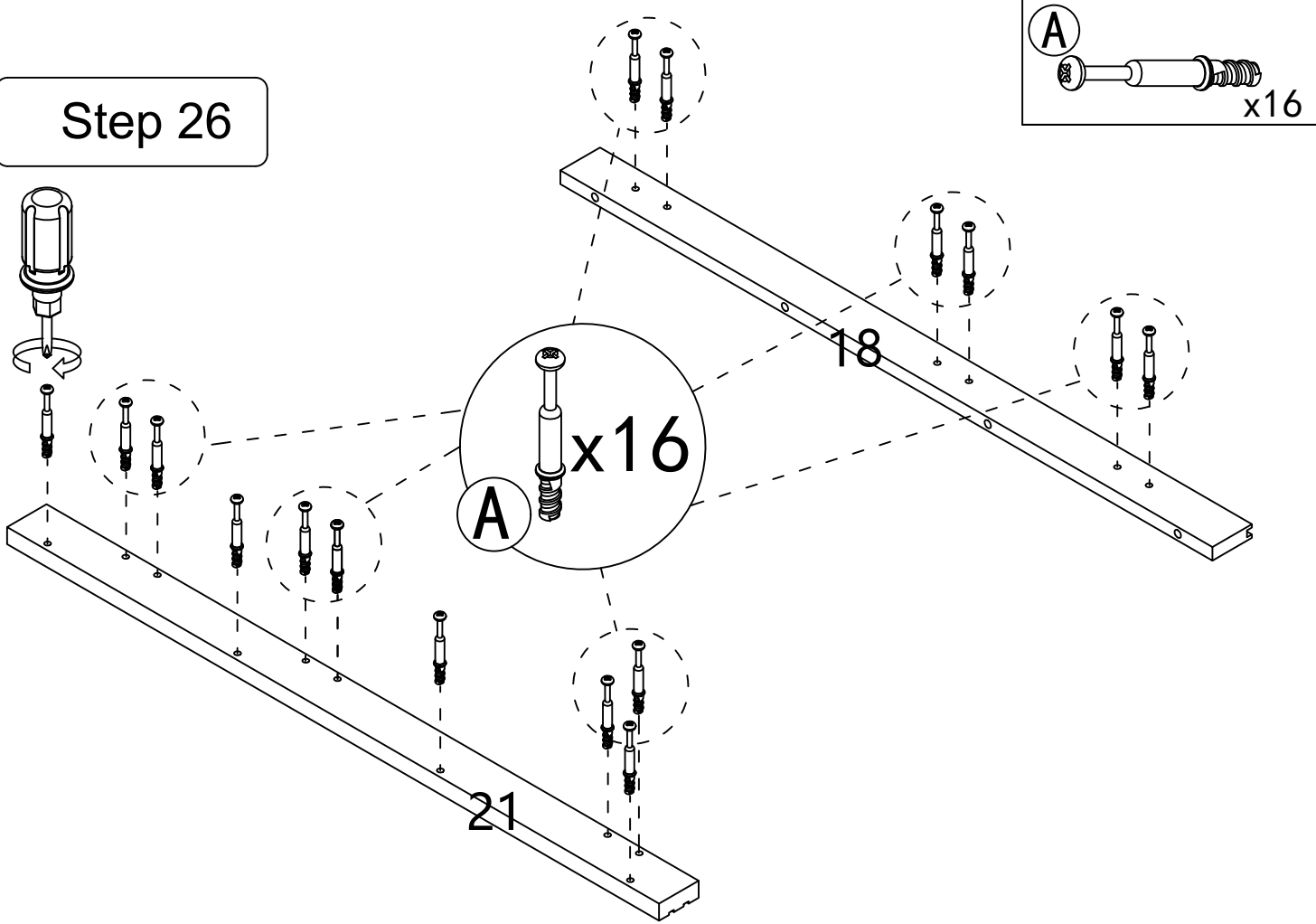
This hole is for strengthening fixed hole customers can choose to install according to their needs.

Step 25

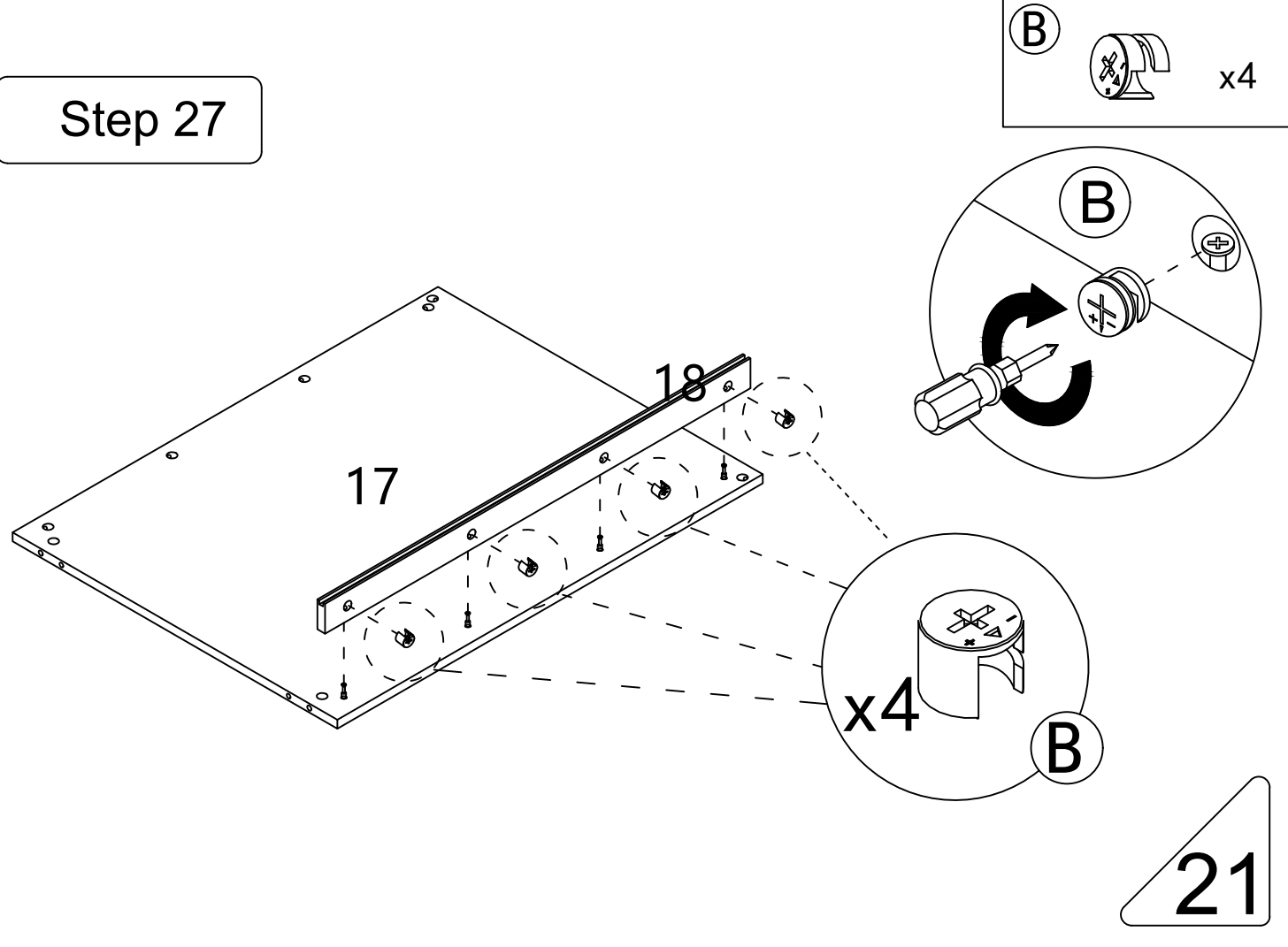


A  x4

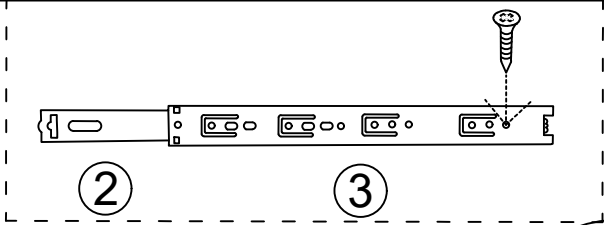
Step 26







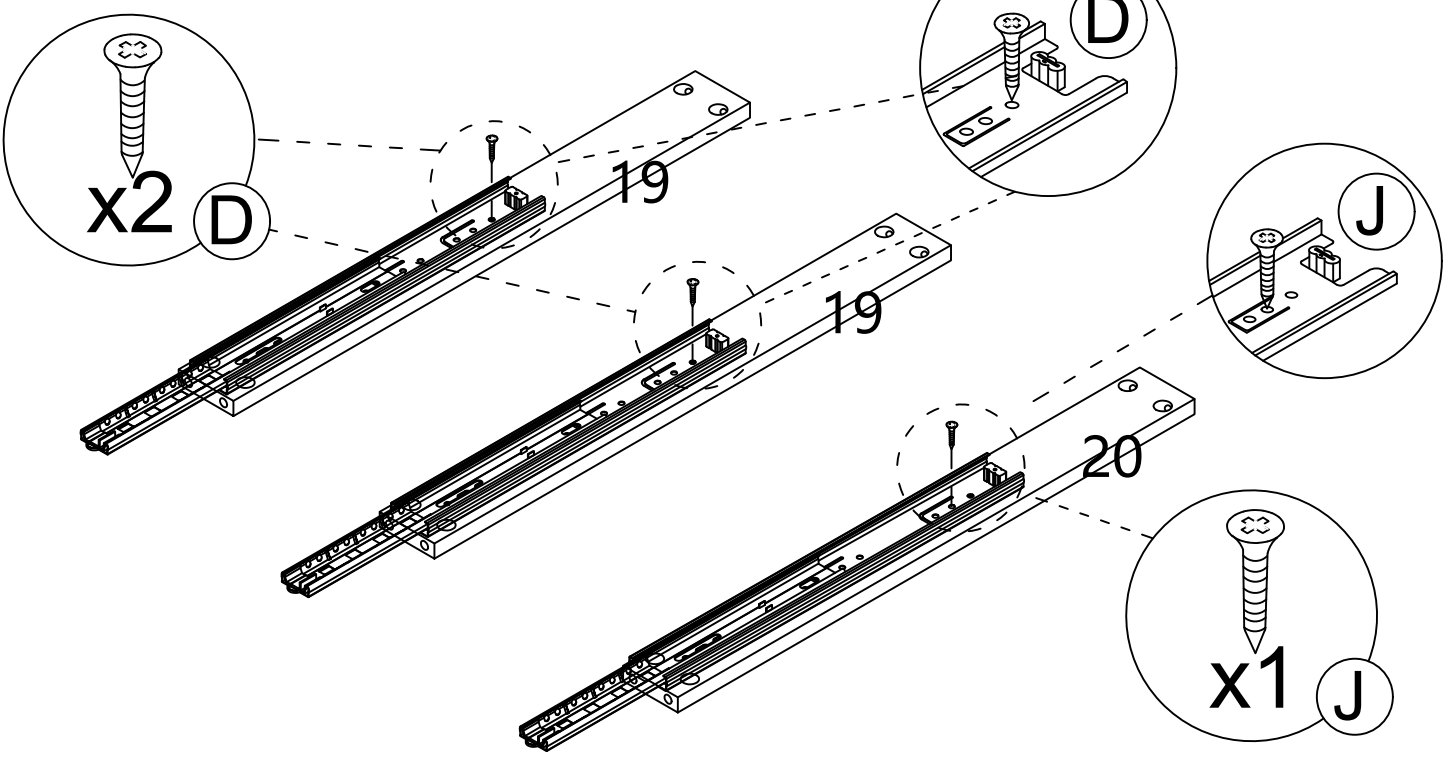
Step 27



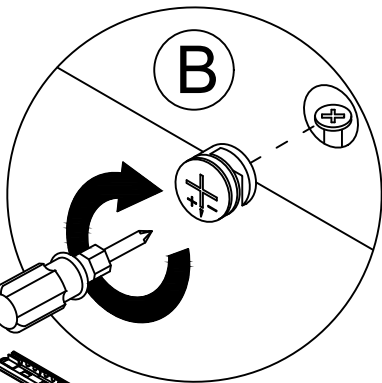
Step 28




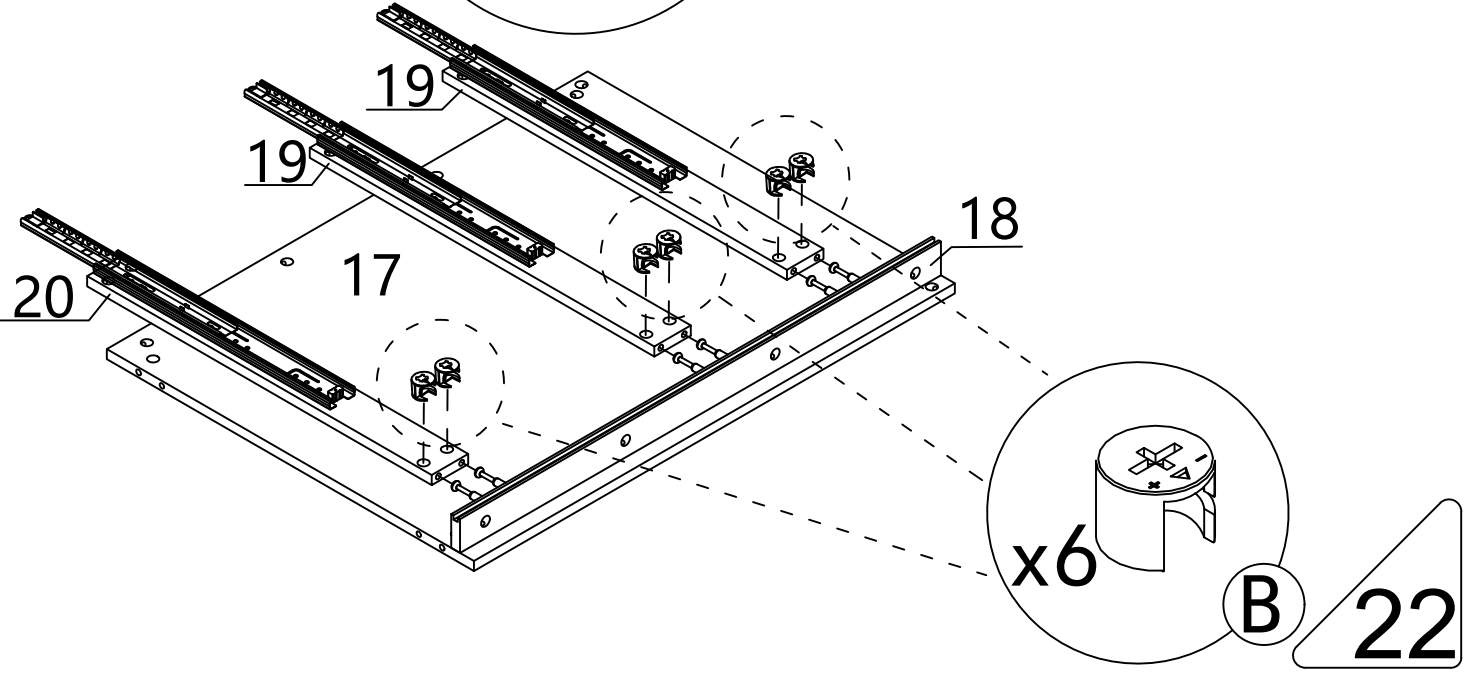
- (D)  x2  x2
- (J)  x1  x1




Step 29

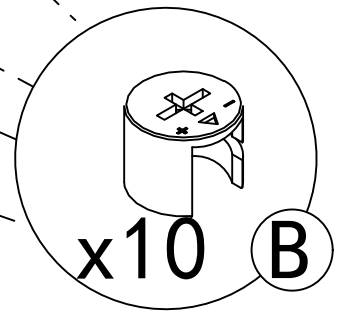
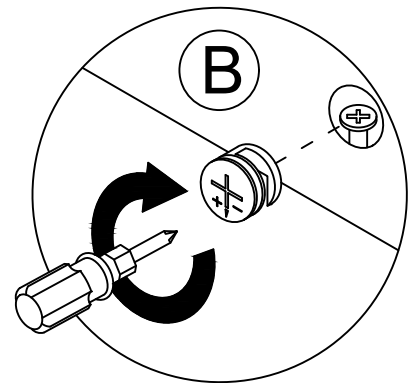
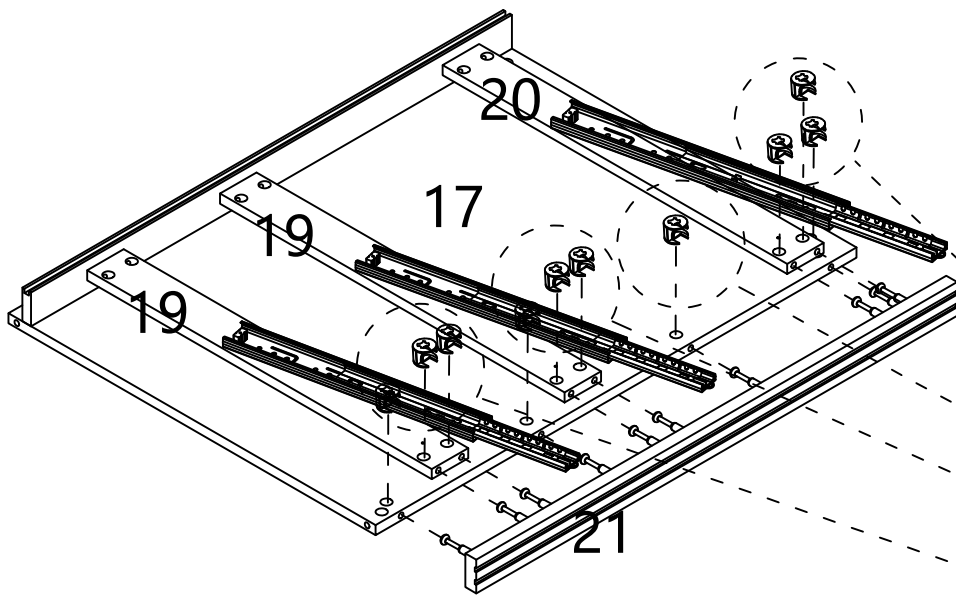


- (B)  x6

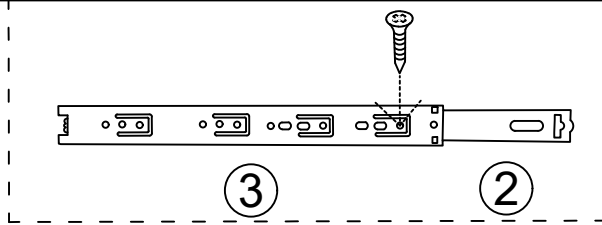


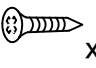
Step 30

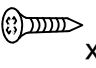
B  x10

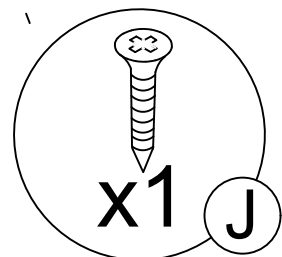
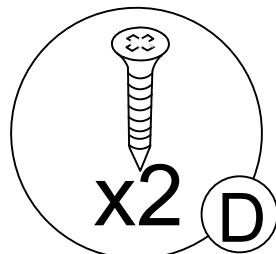
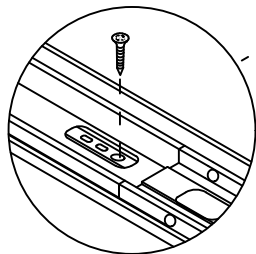
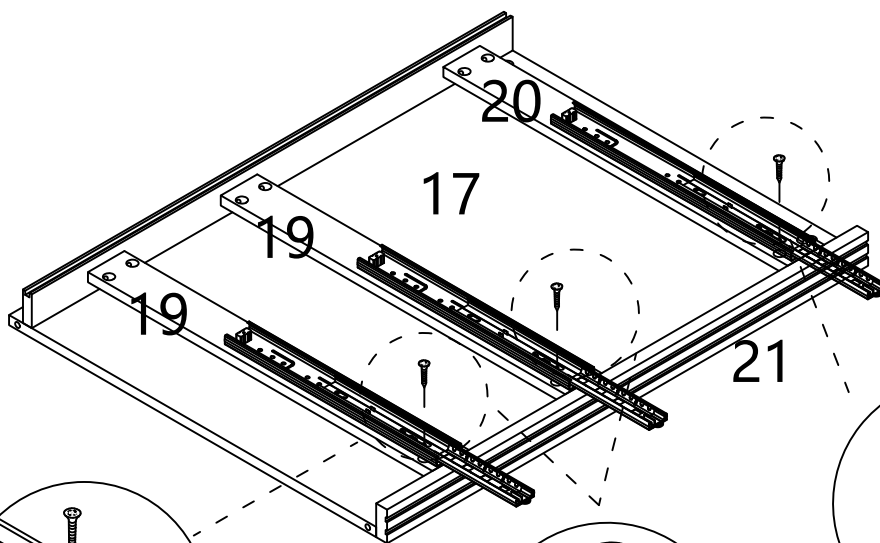


Step 31



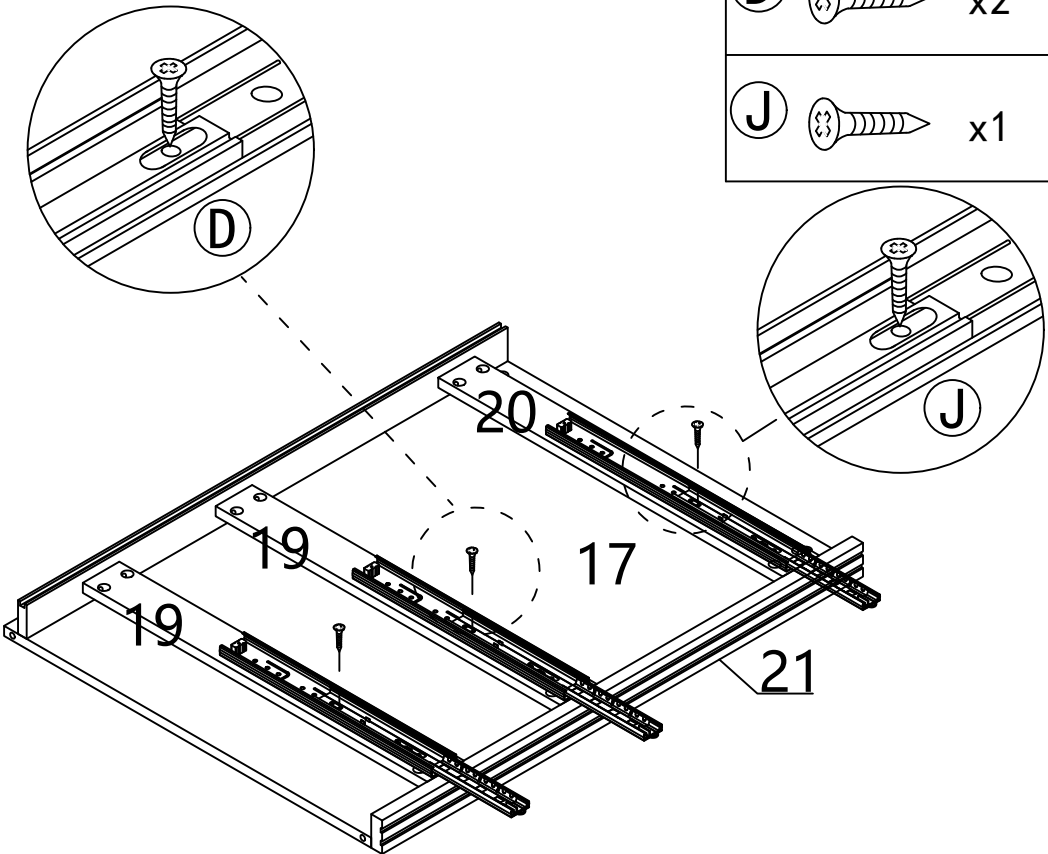
D  x2

J  x1



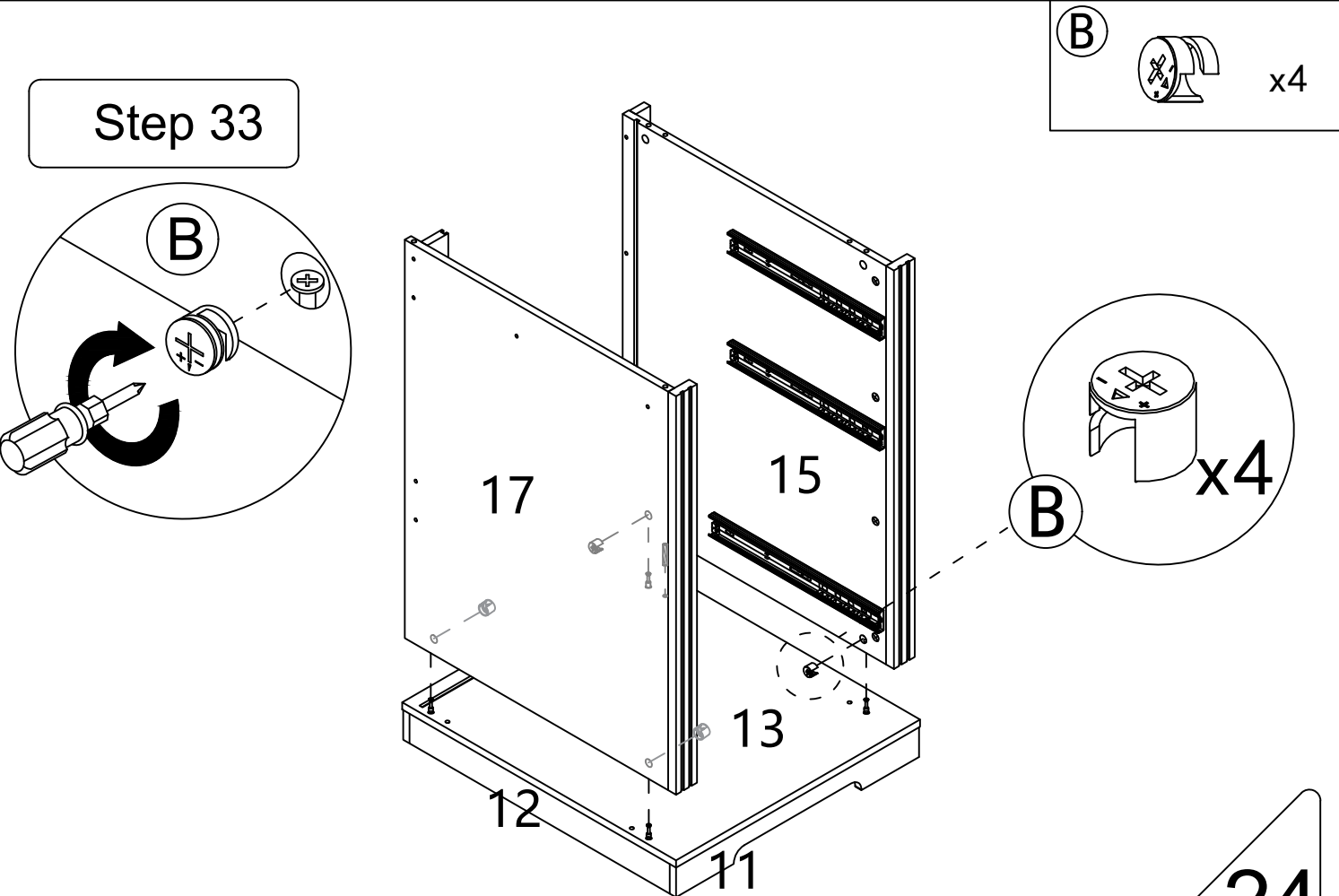
23

Step 32

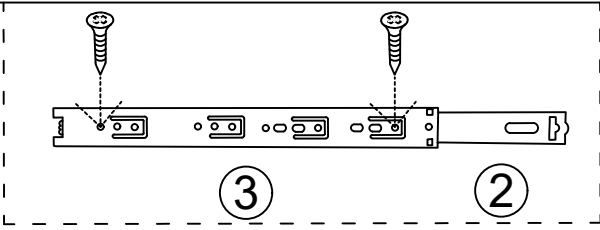


This hole is for strengthening fixed hole customers can choose to install according to their needs.

Step 33



Step 34

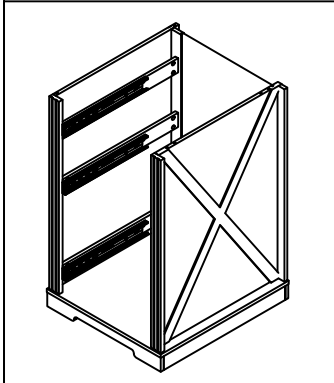
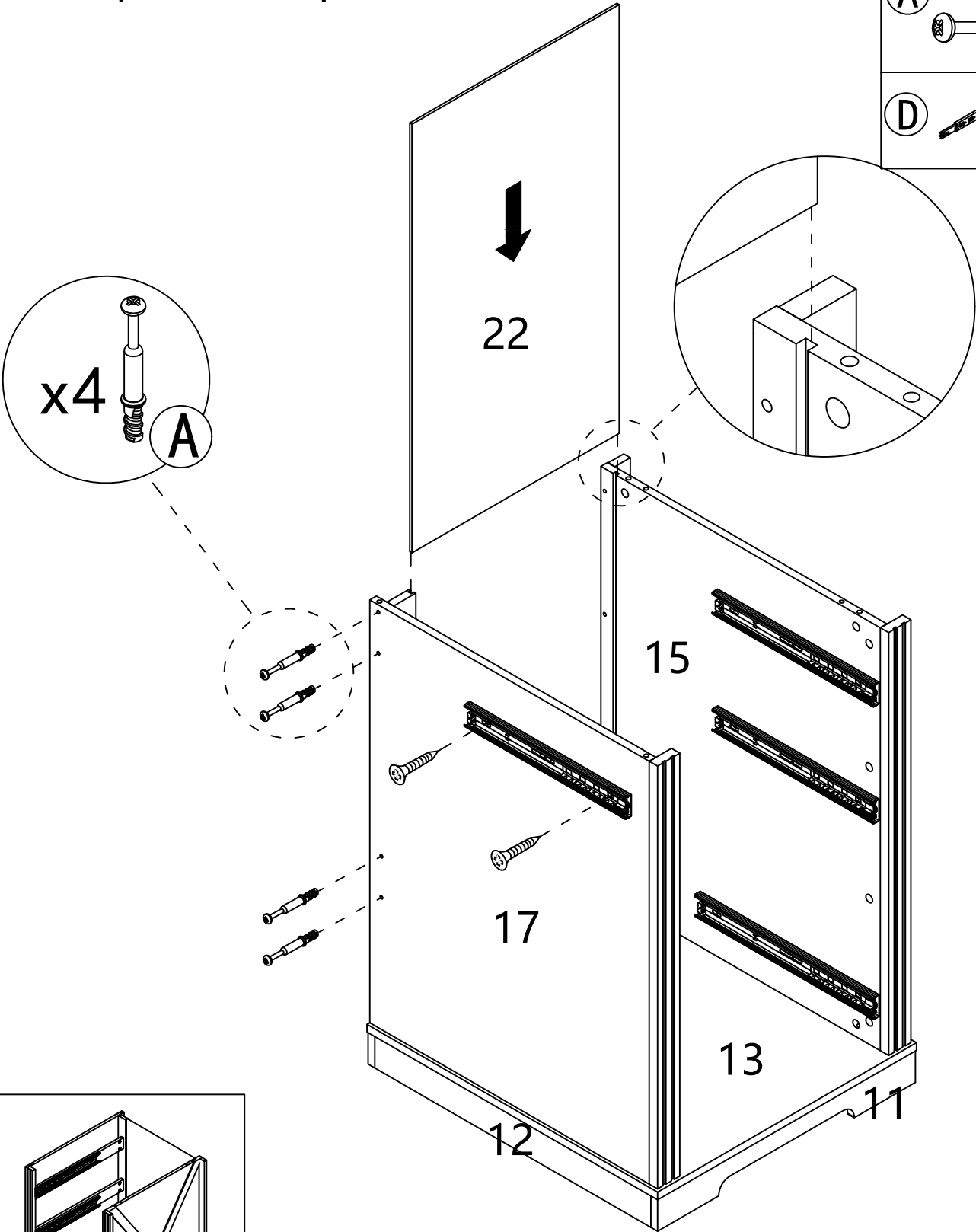


22x1

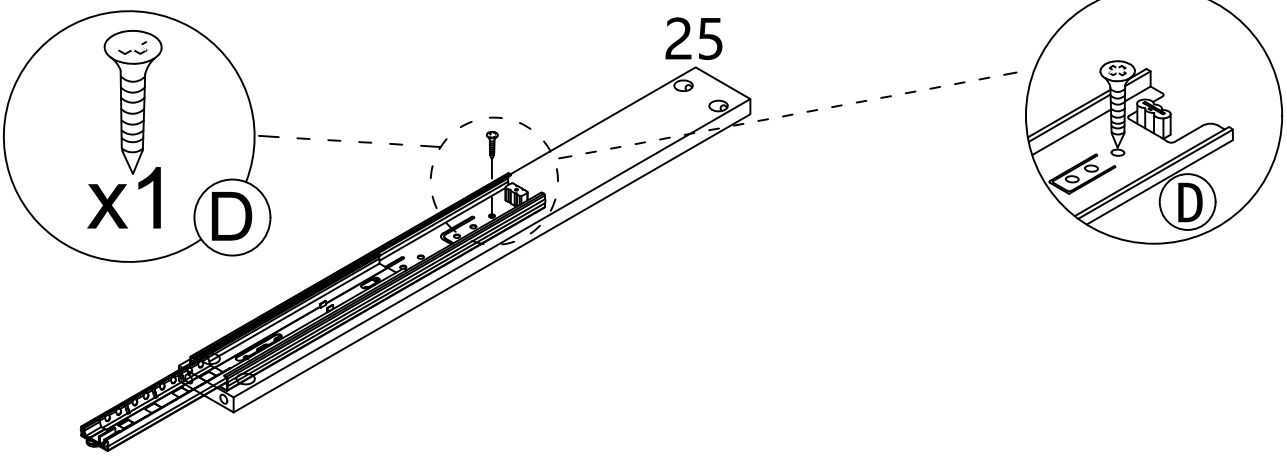
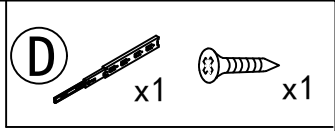
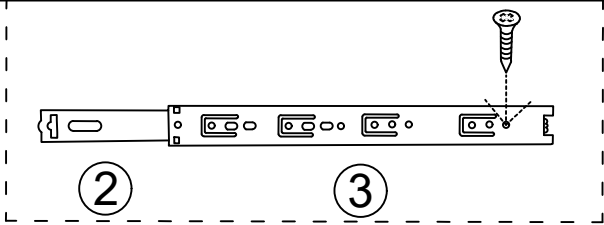
A x4

D x1 x2

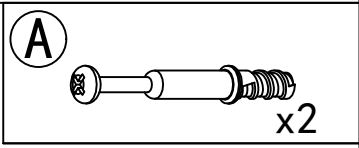
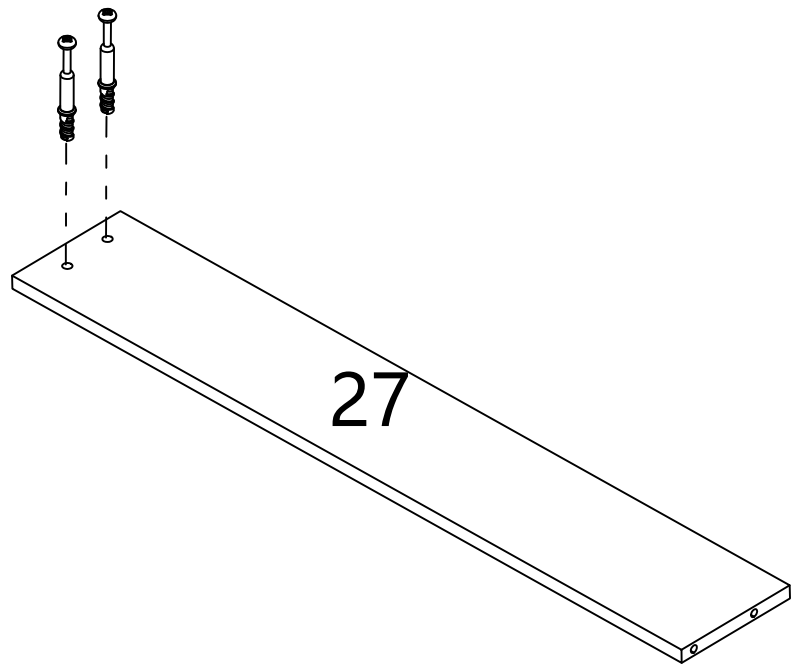
Snap the backplane into the slot



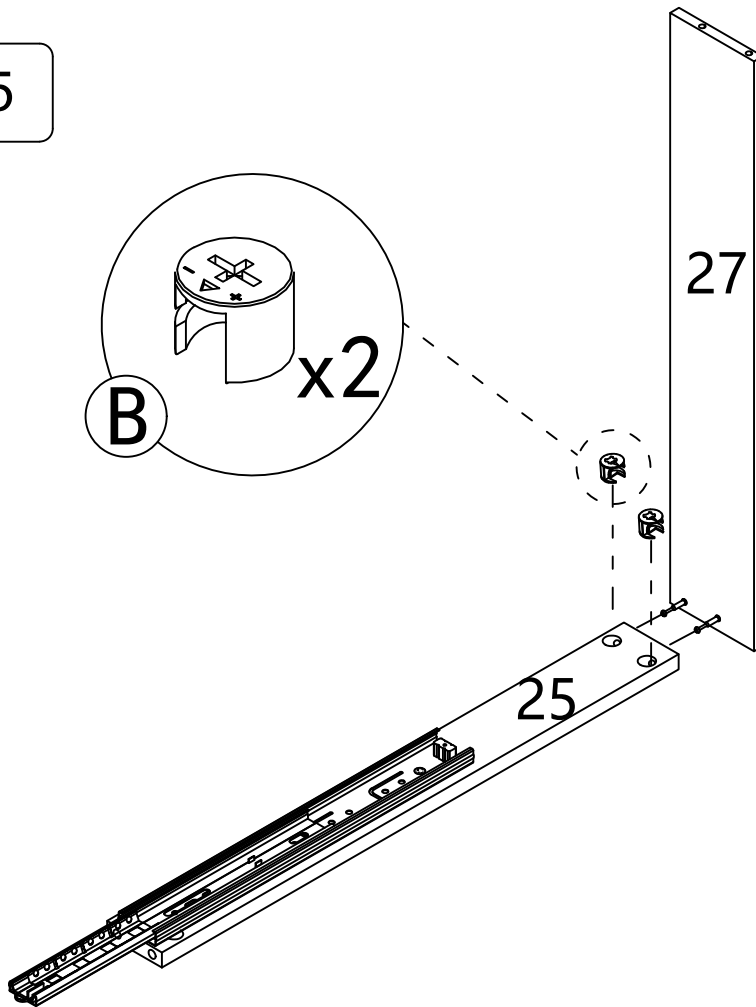
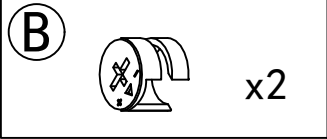
Step 35



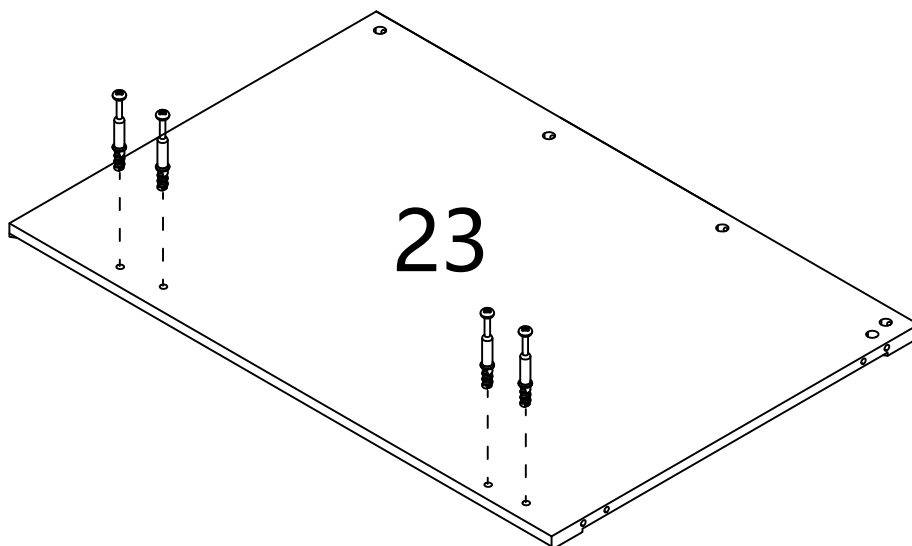
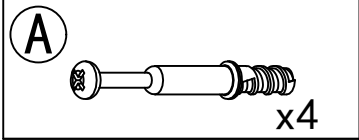
Step 36





Step 35

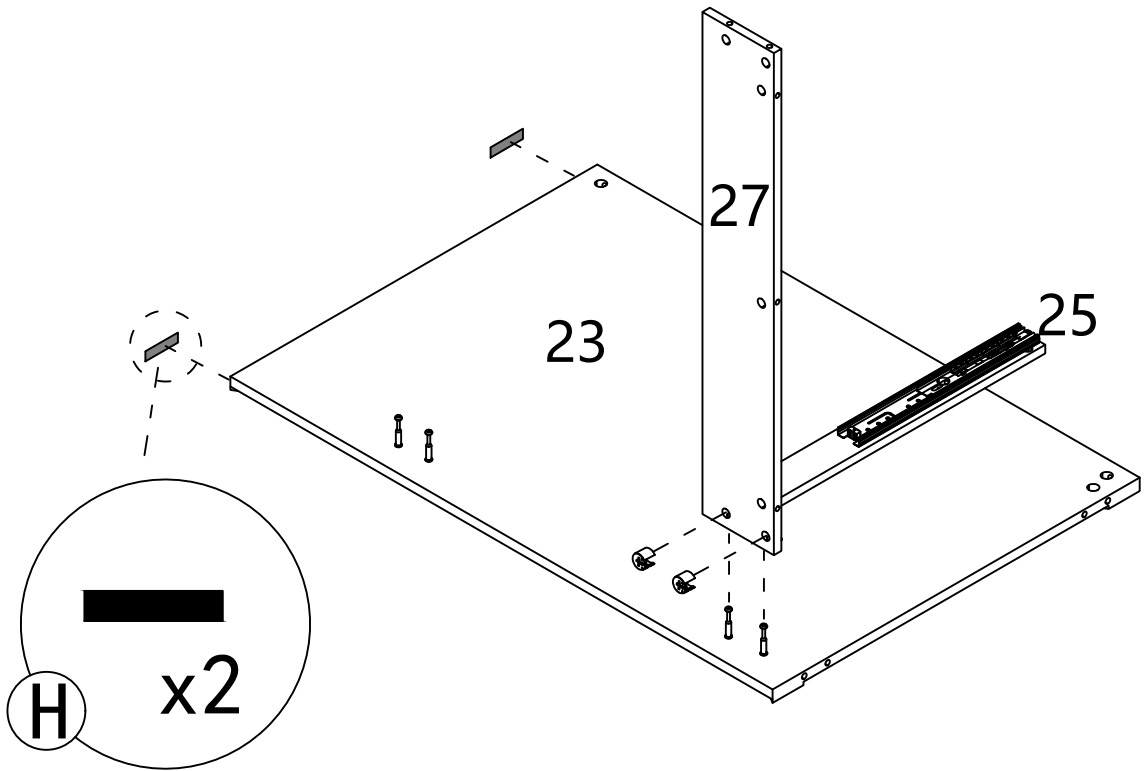


Step 36




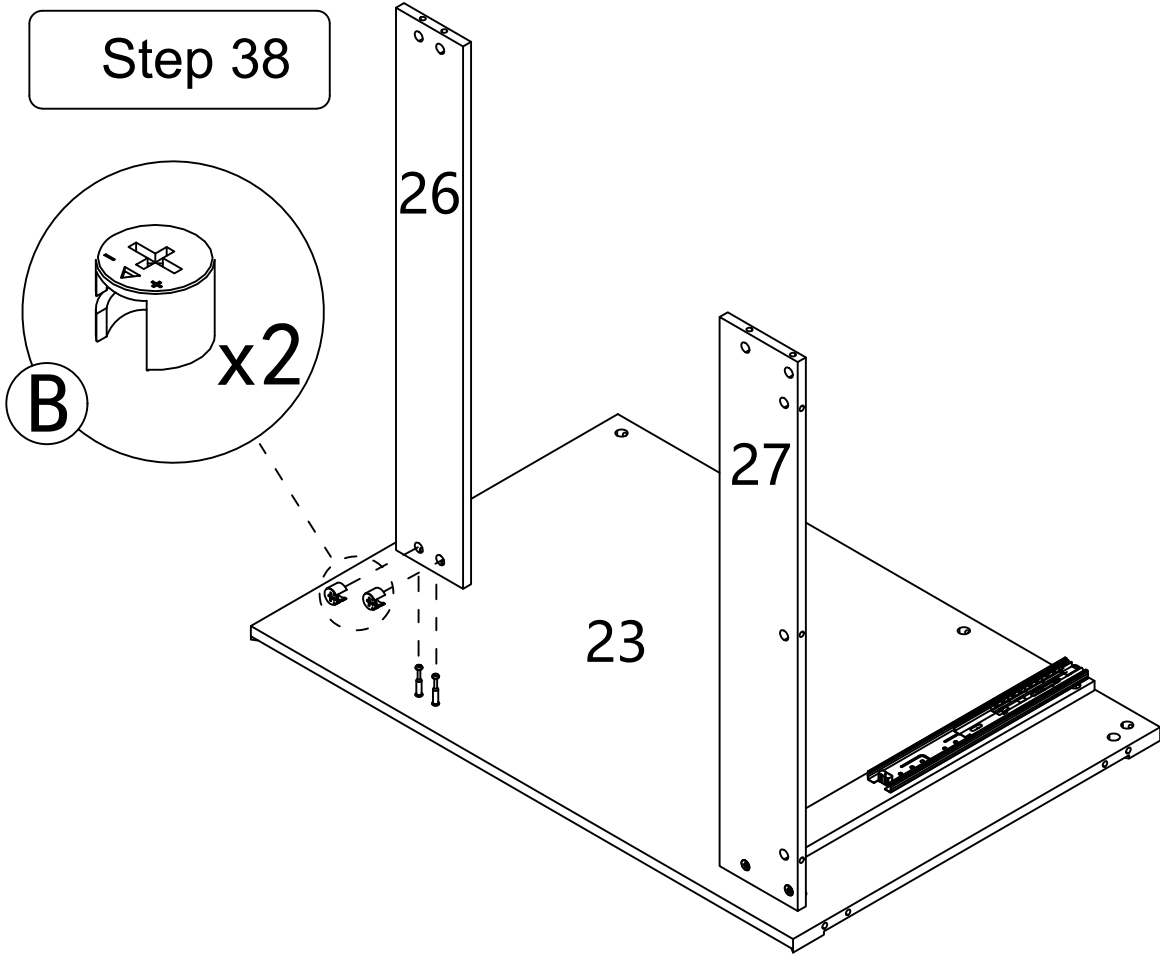
Step 37

- (B)  x2
- (H)  x2

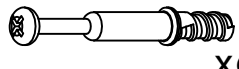



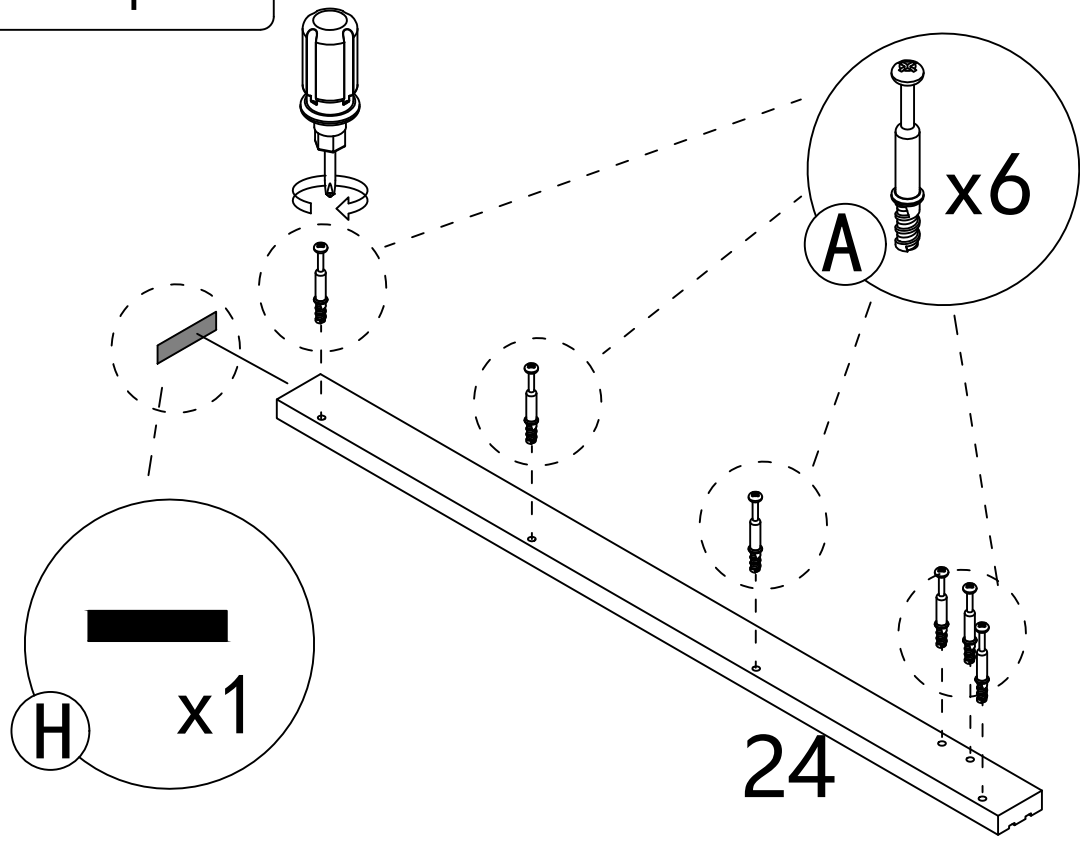
Step 38

- (B)  x2




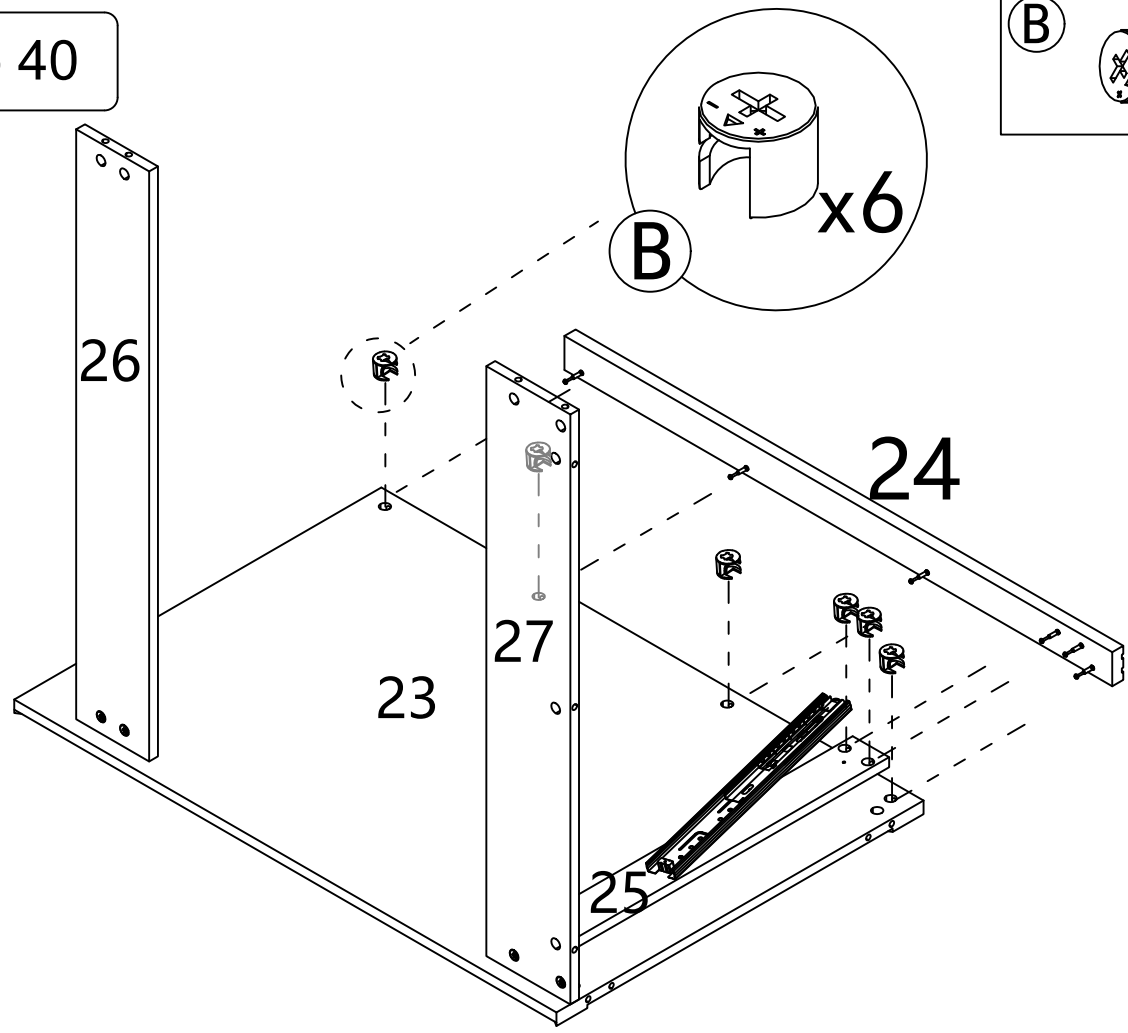
Step 39

- (A)  x6
- (H)  x1

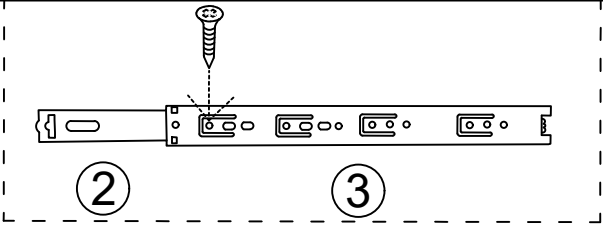



Step 40

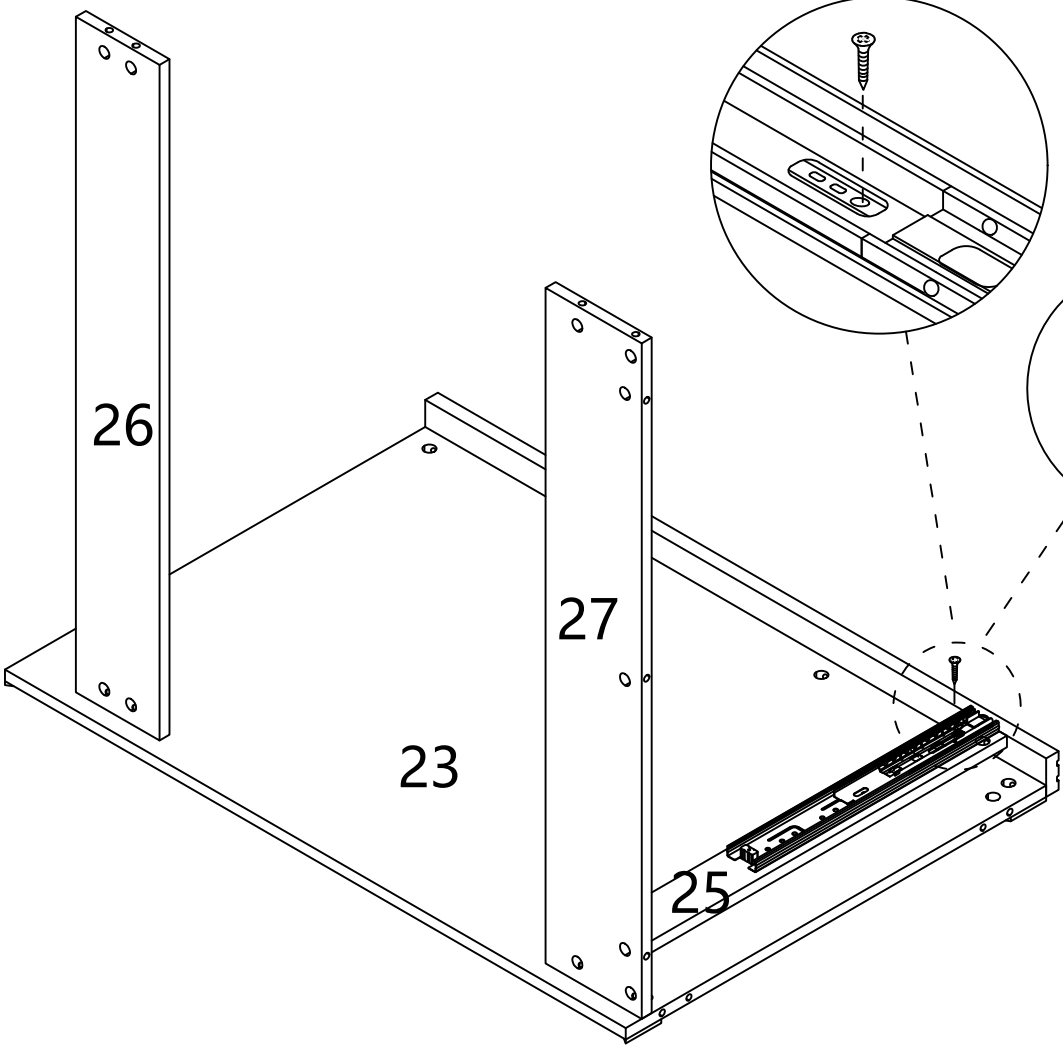
- (B)  x6



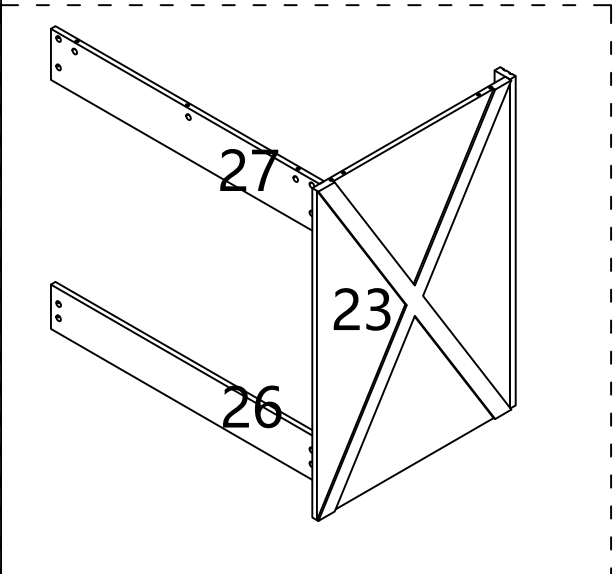
Step 41




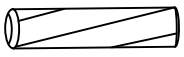
D  x1

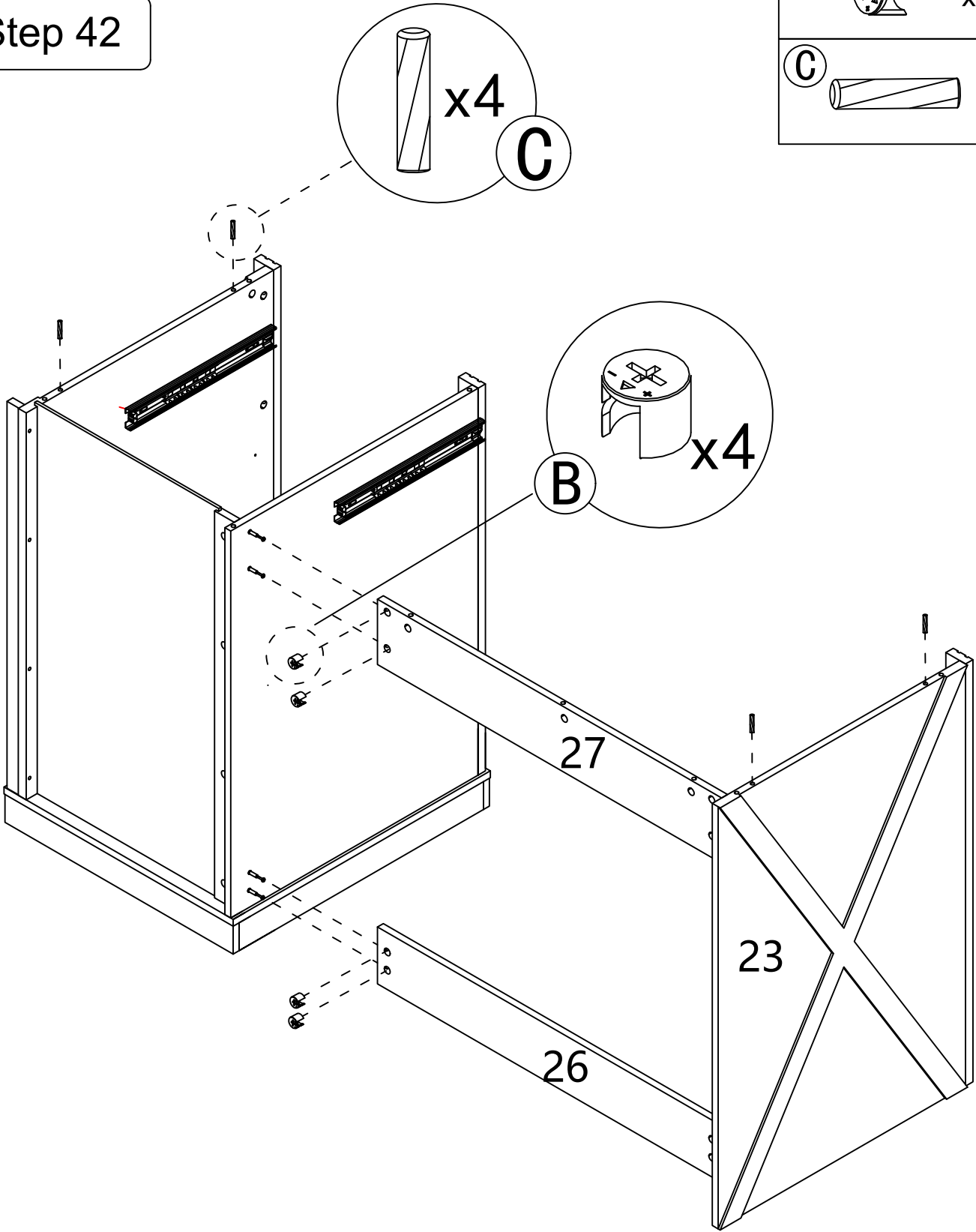


Flip it over

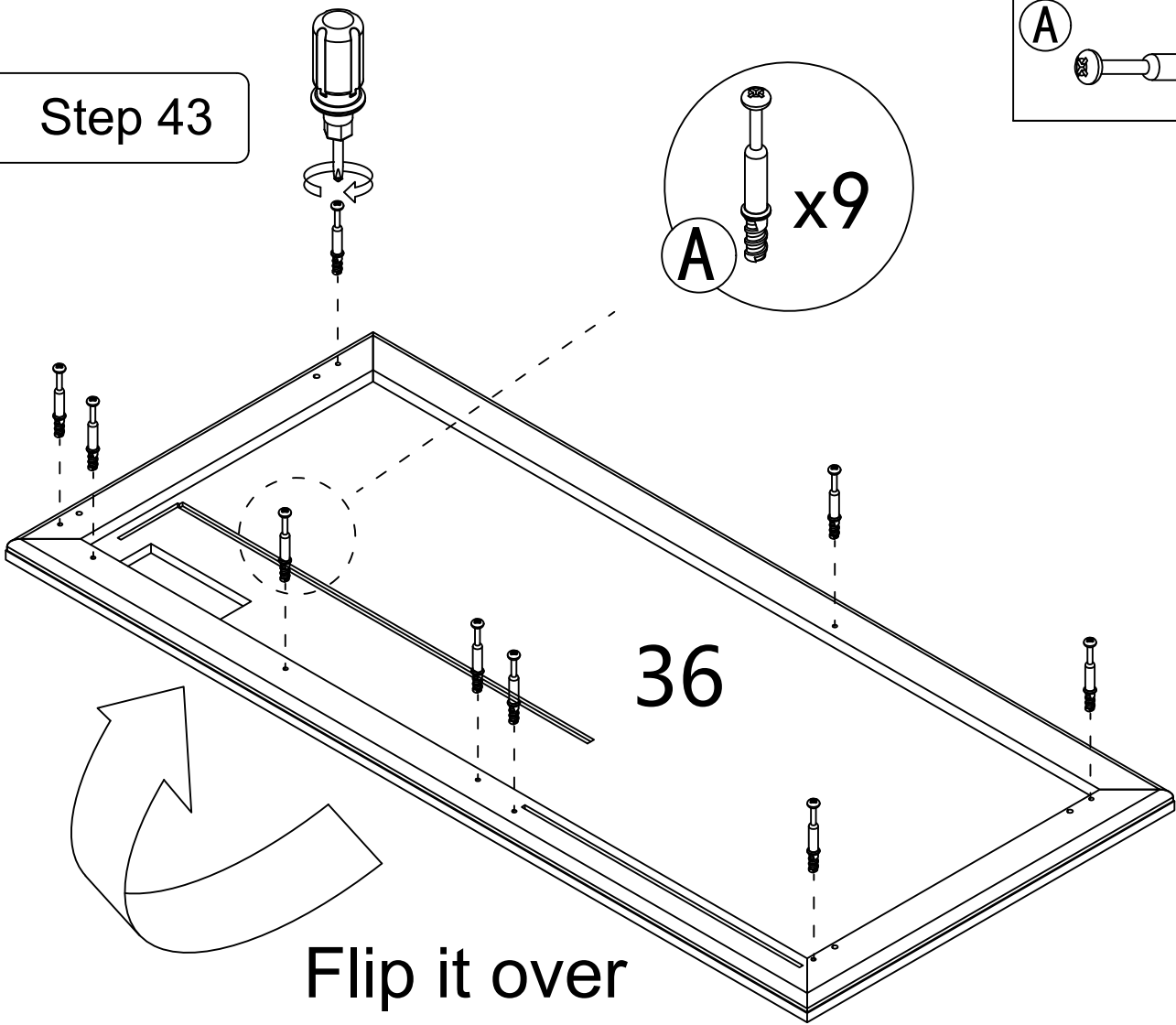
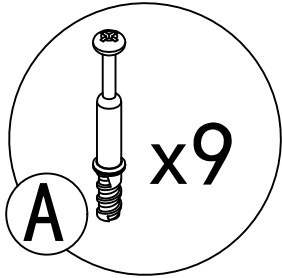
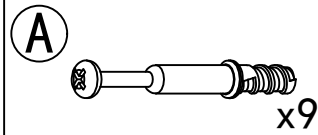


Step 42

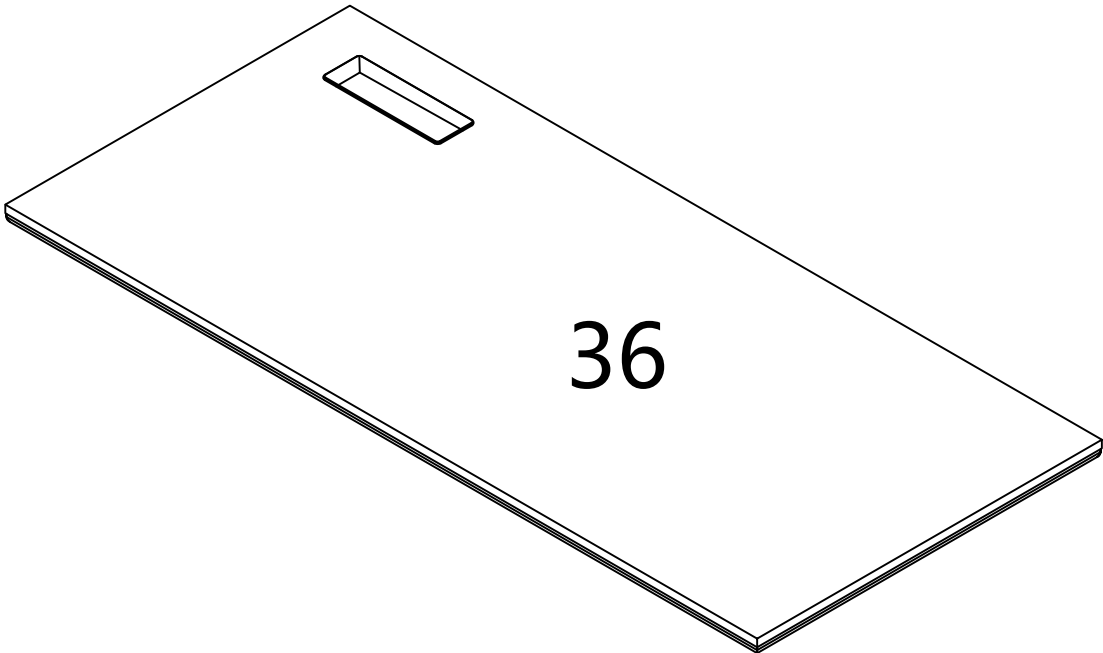
- (B)  x4
- (C)  x4




Step 43

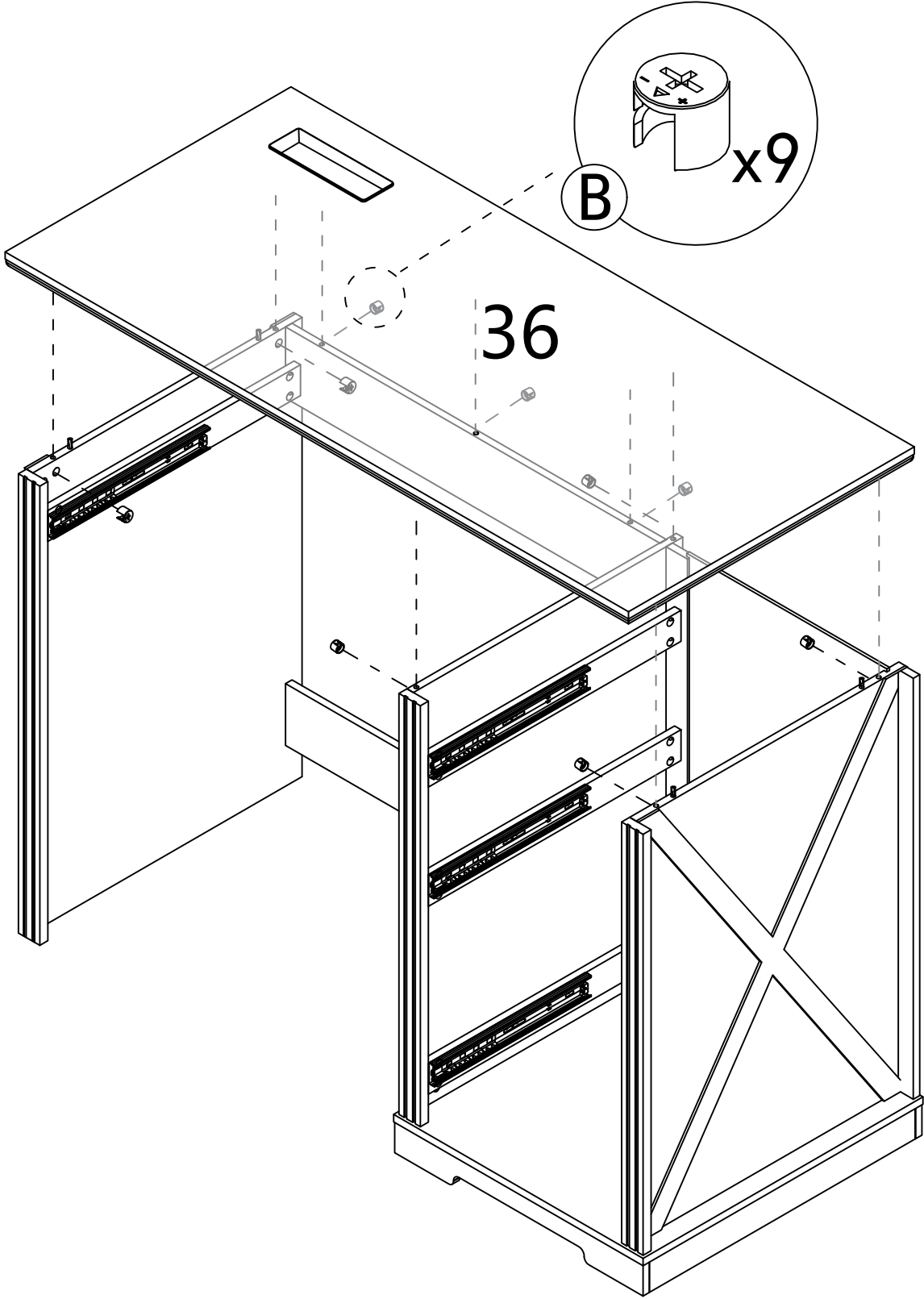


Flip it over



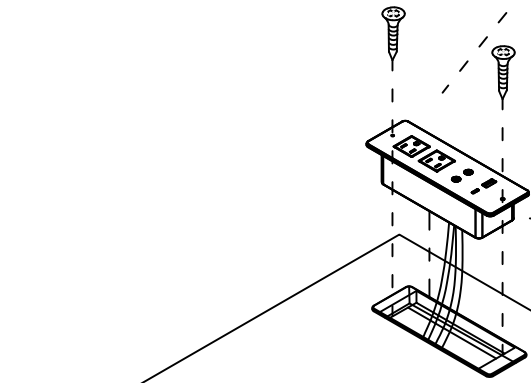
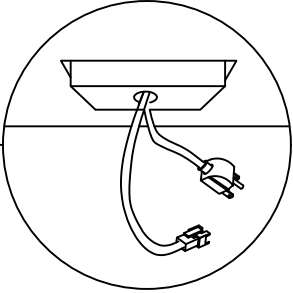
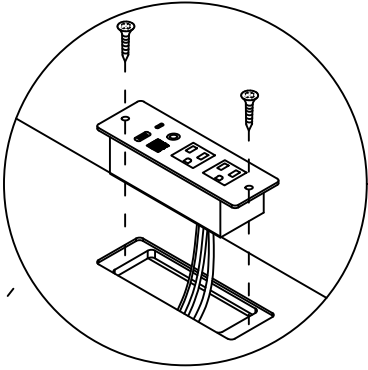
Step 44

B  x9



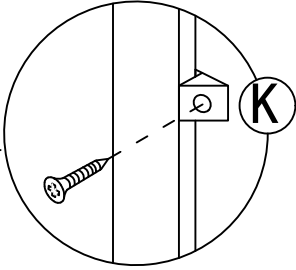
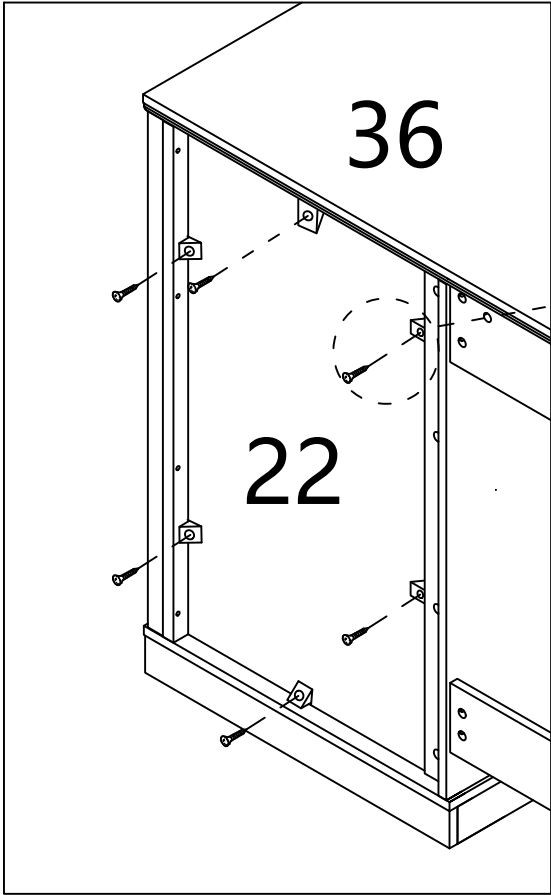
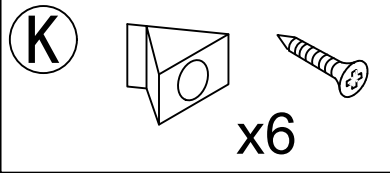
Step 45

- (L)
- x1
- x2

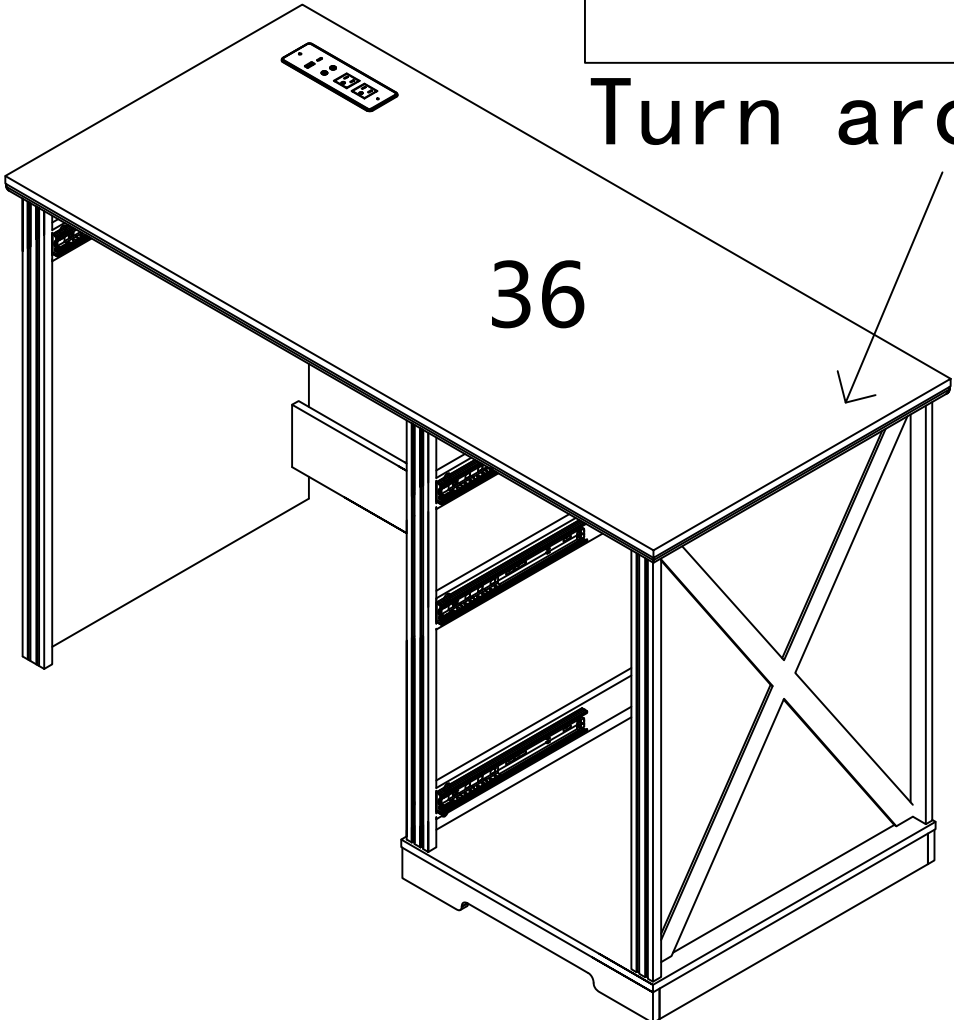


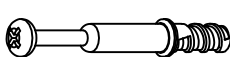


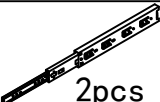

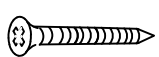
36

Step 46

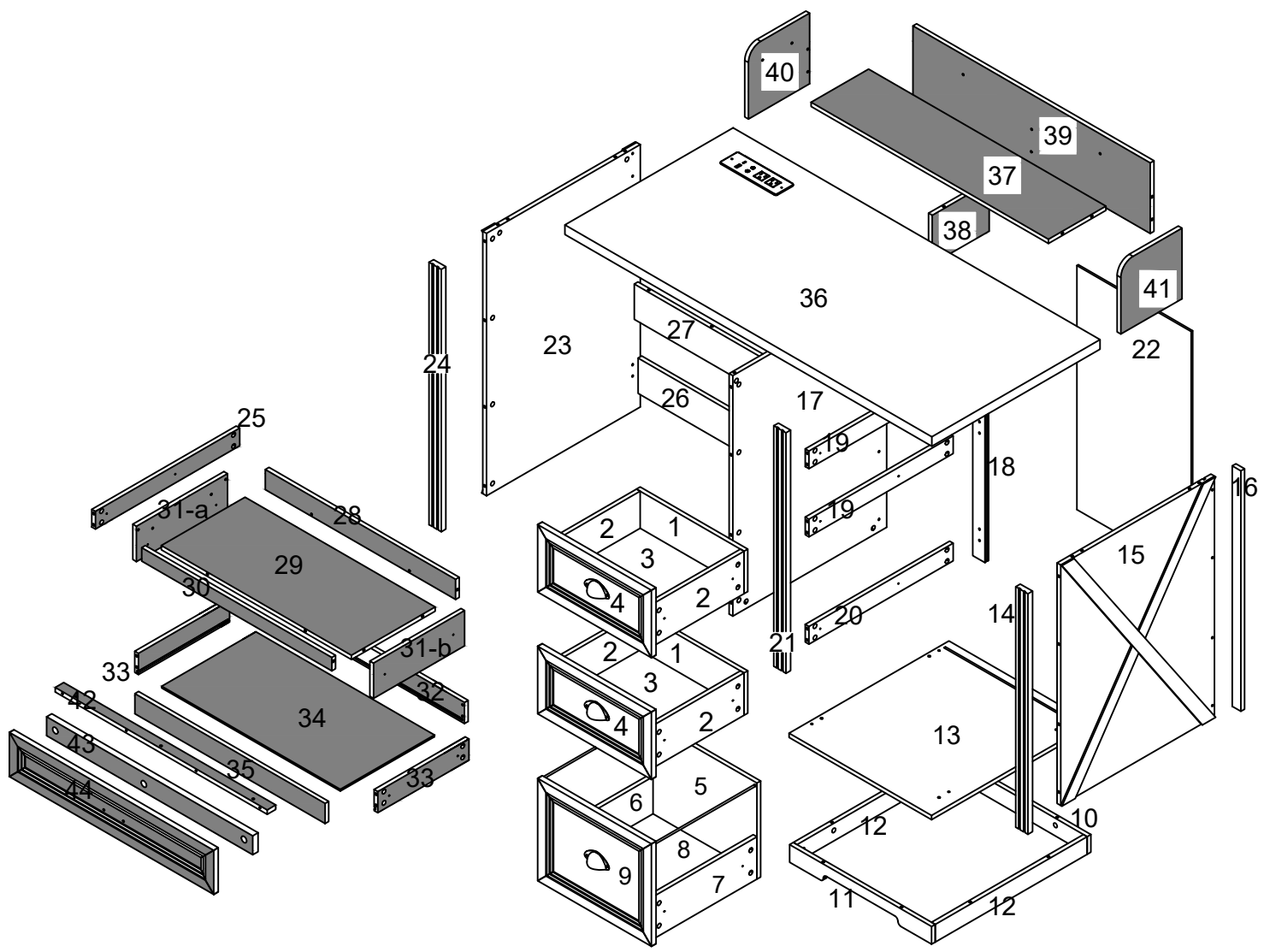


Turn around

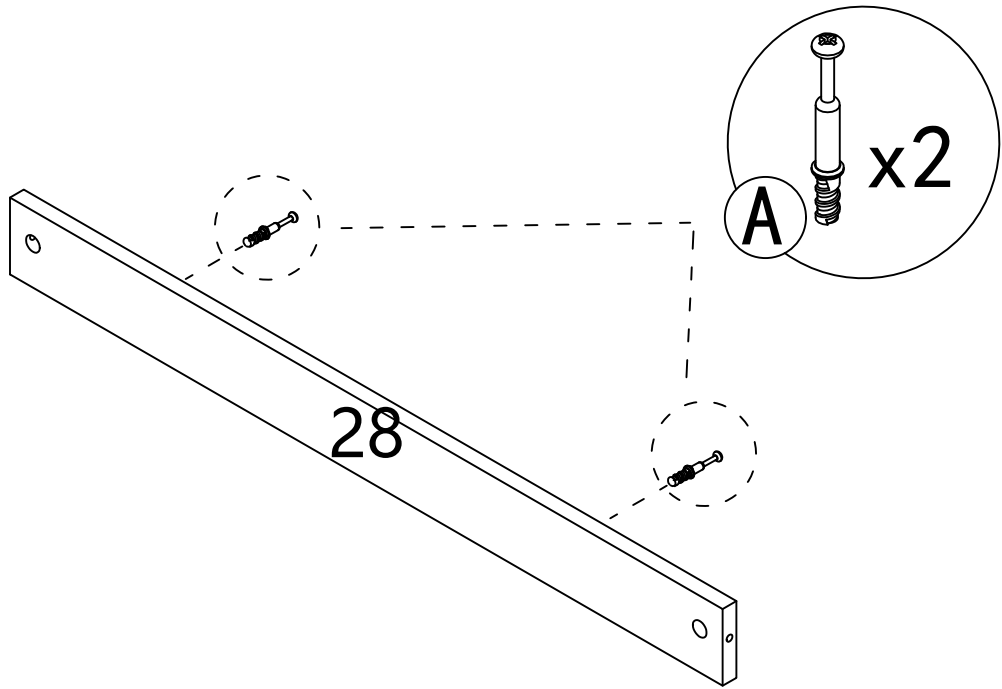
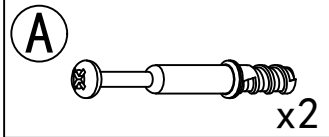


A		37pcs	B		37pcs	D		4pcs 2pcs
D		2pcs	E		2pcs 2pcs 1pcs	G		4pcs

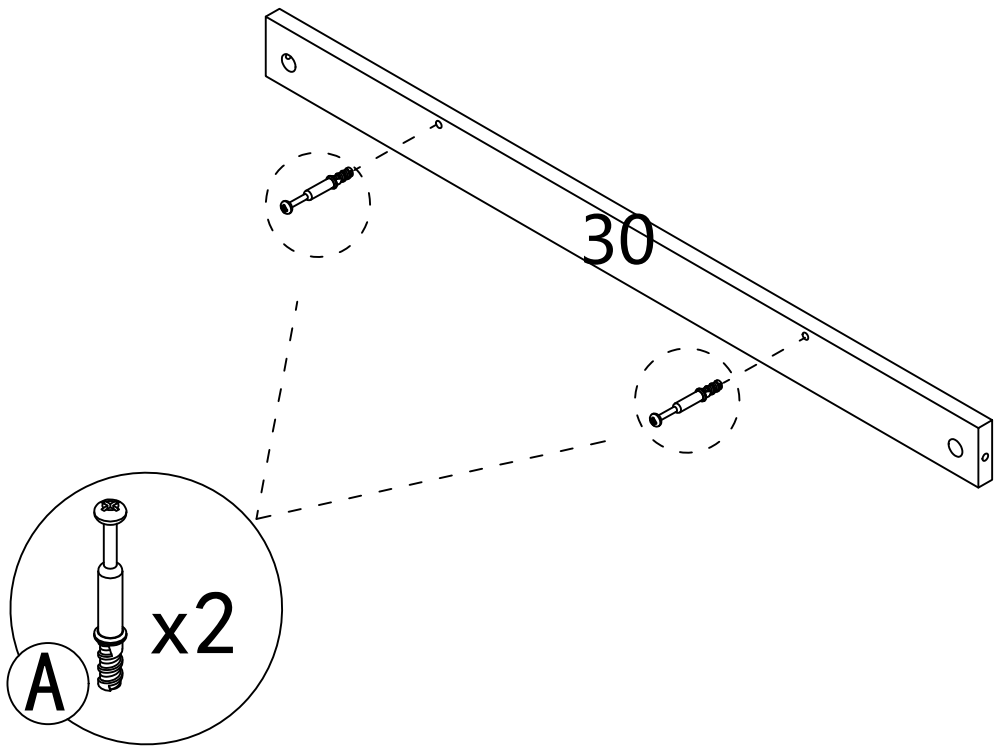
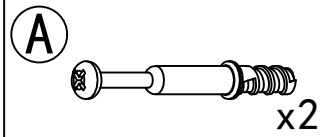
Step 47




Step 48

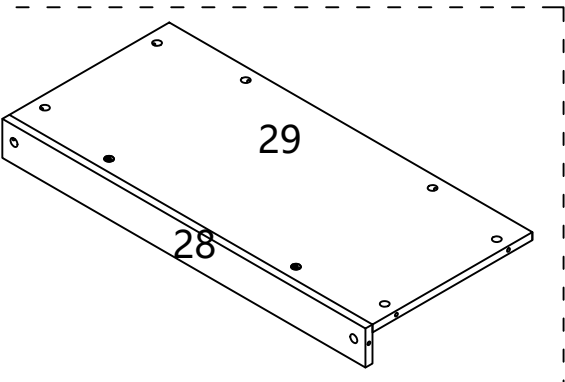
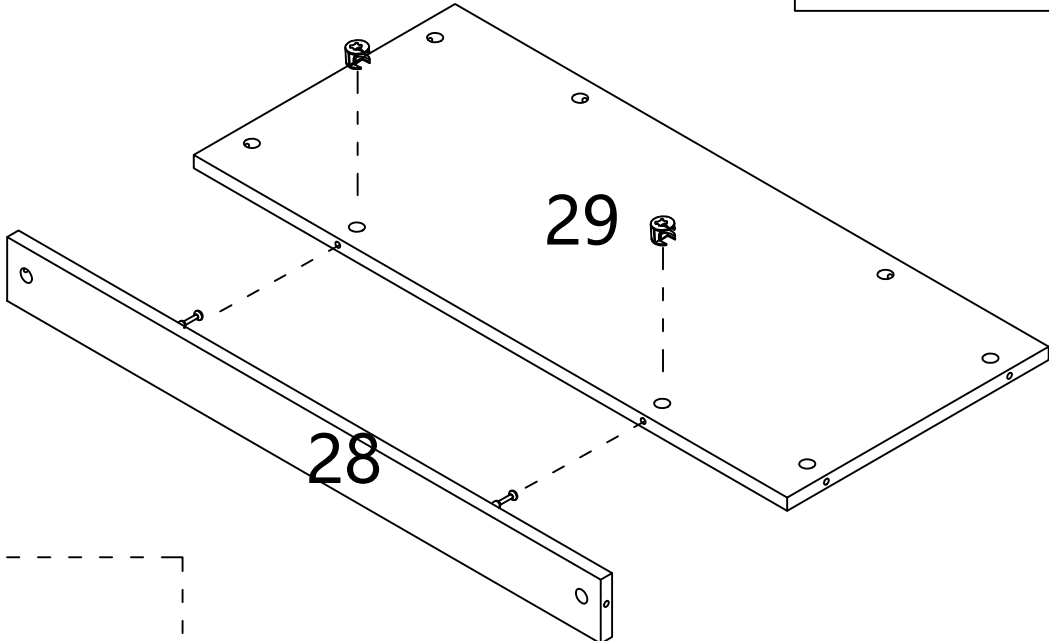


Step 49




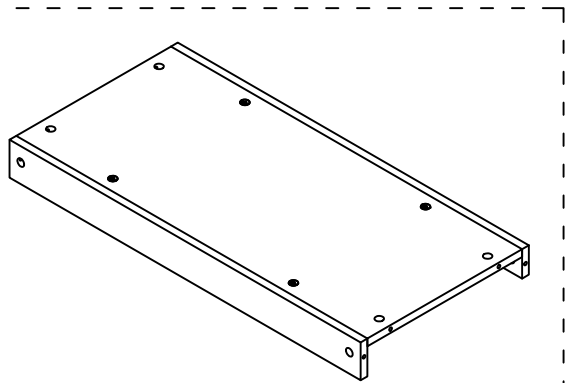
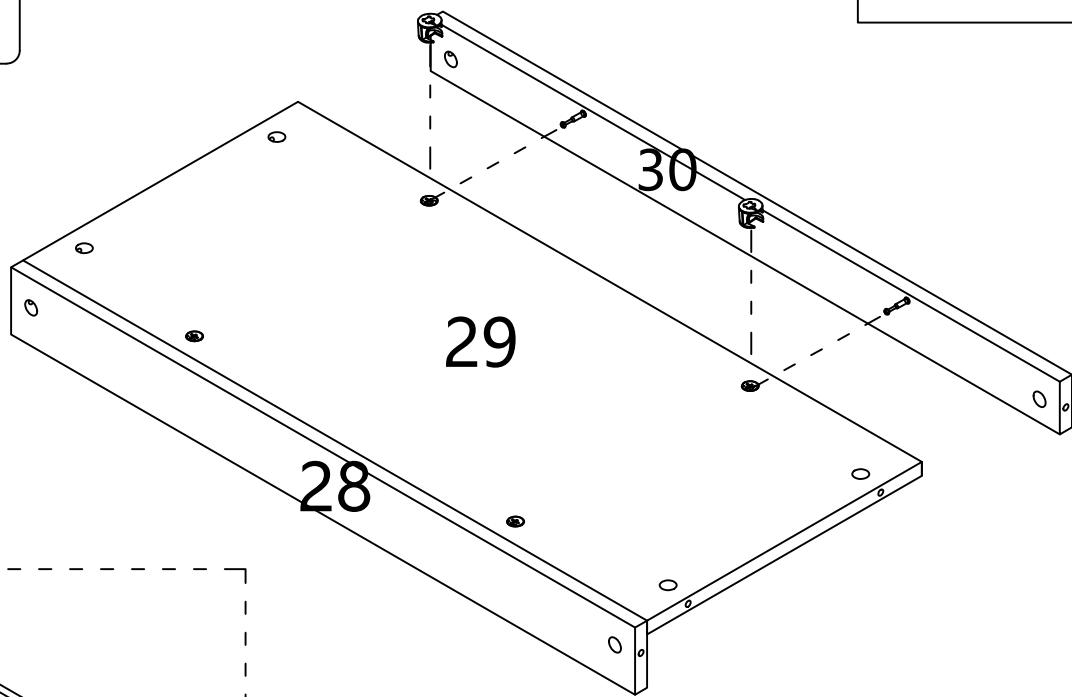
Step 50

(B)  x2

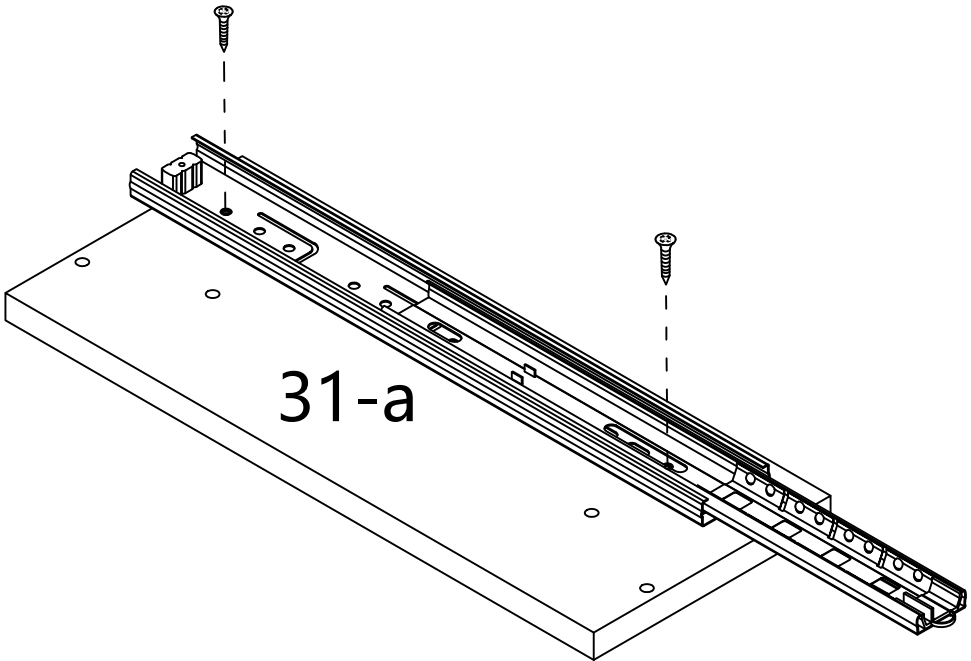
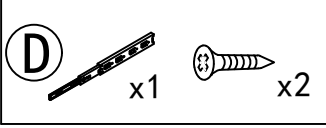
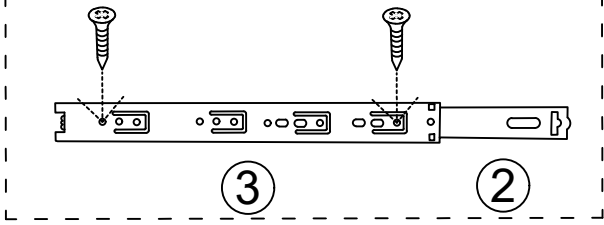


Step 51

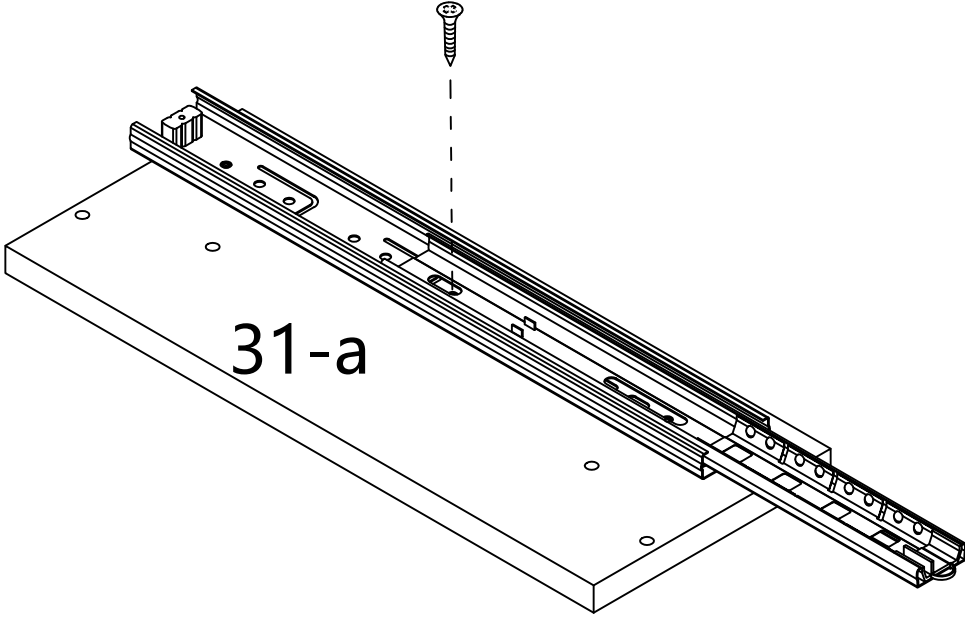
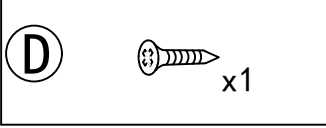
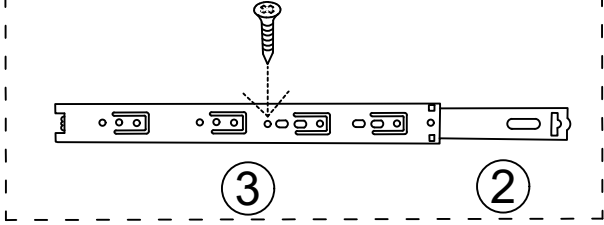
(B)  x2



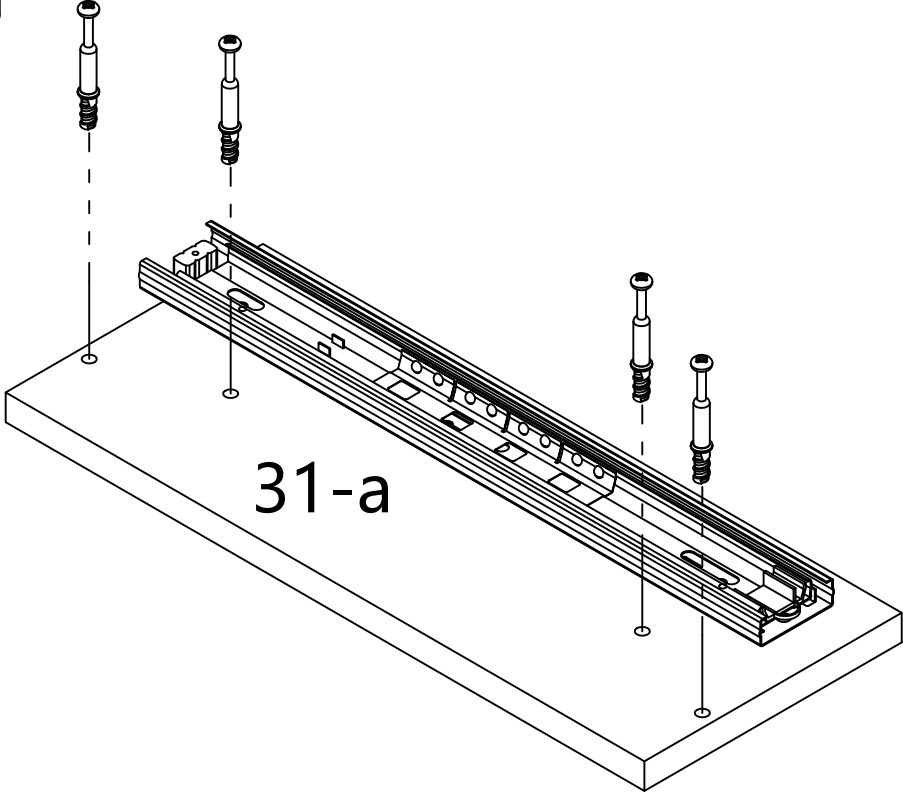
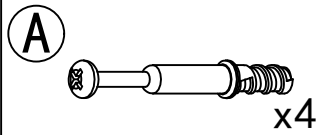
Step 52



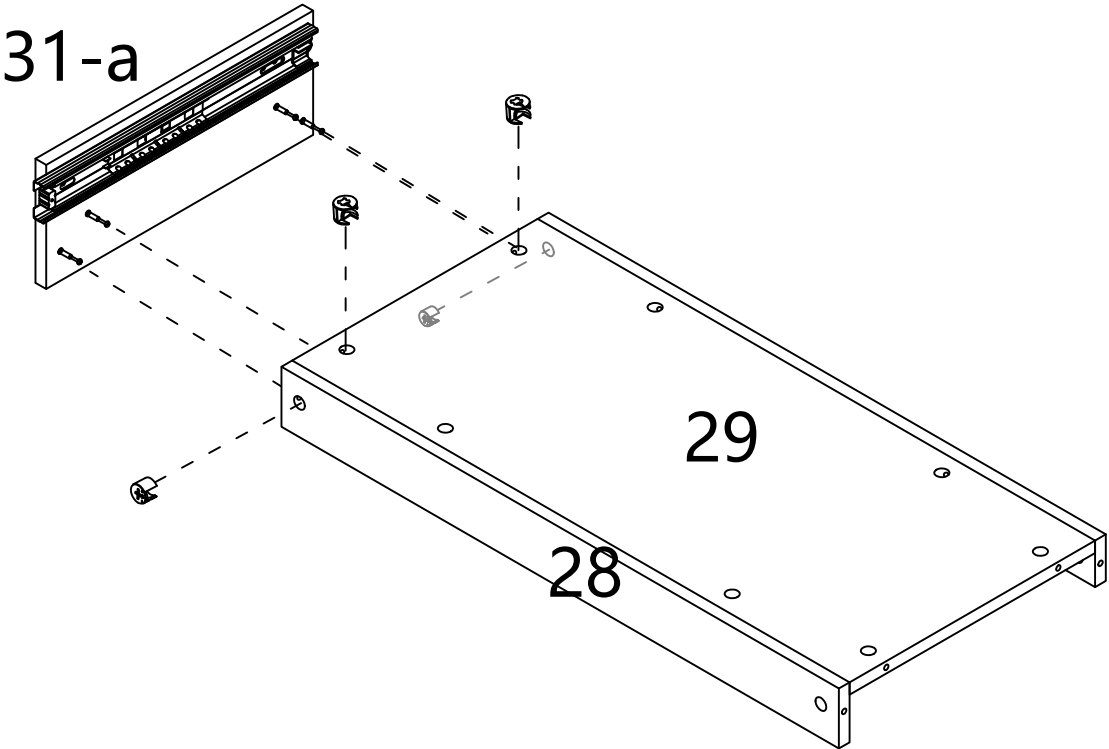
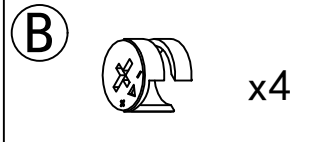
Step 53



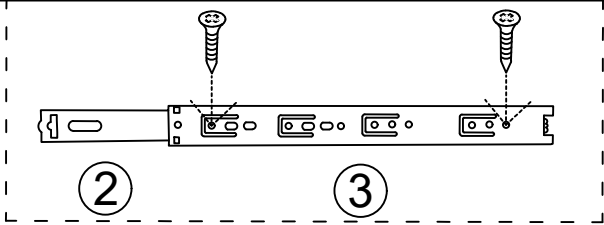
Step 54





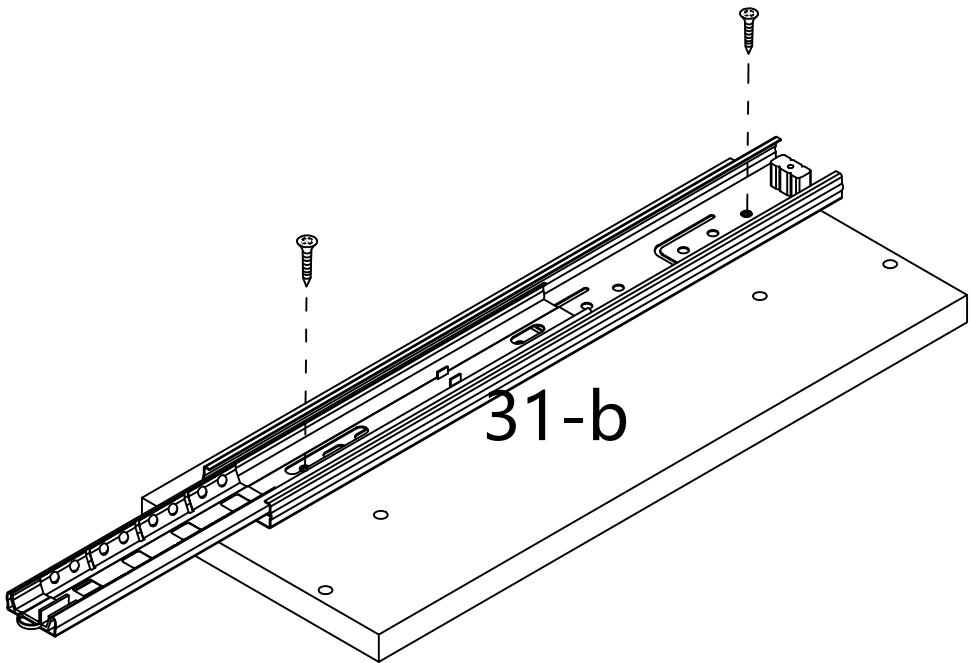
Step 55



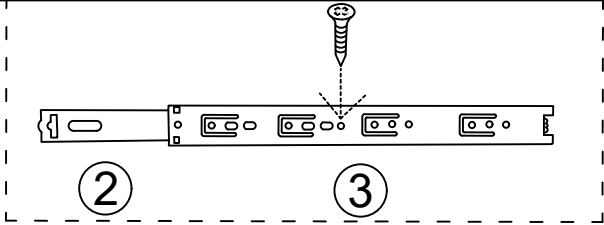
Step 56




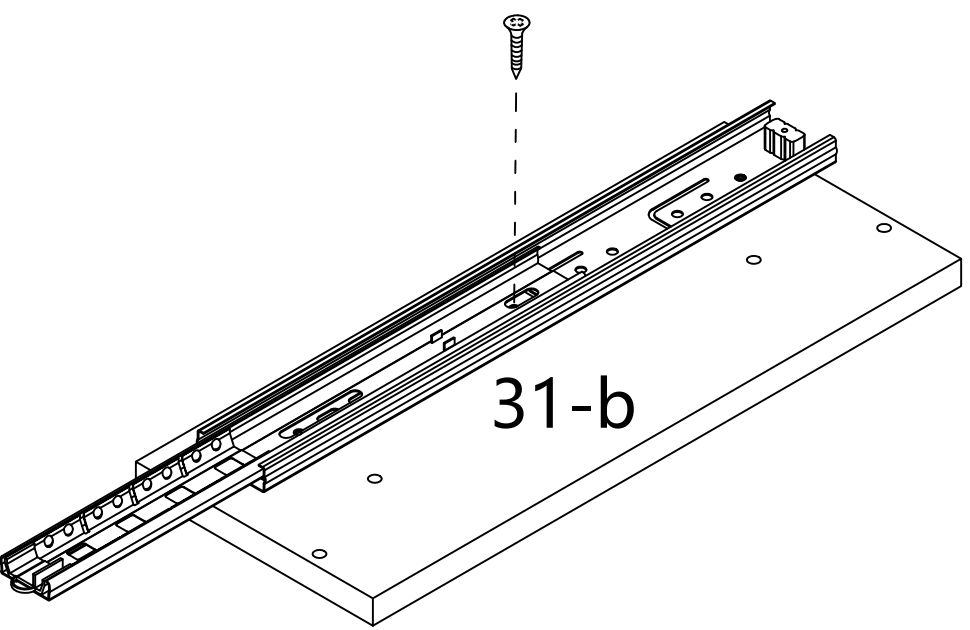
(D)  x1  x2



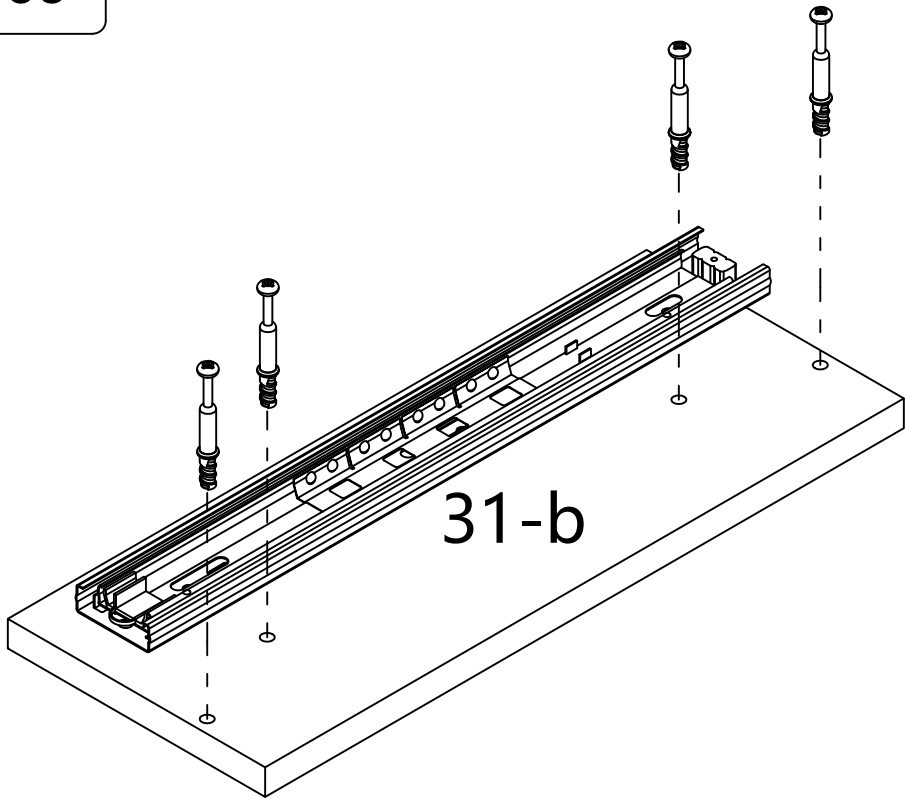
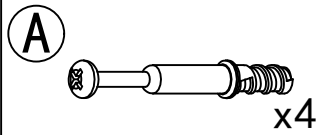
Step 57



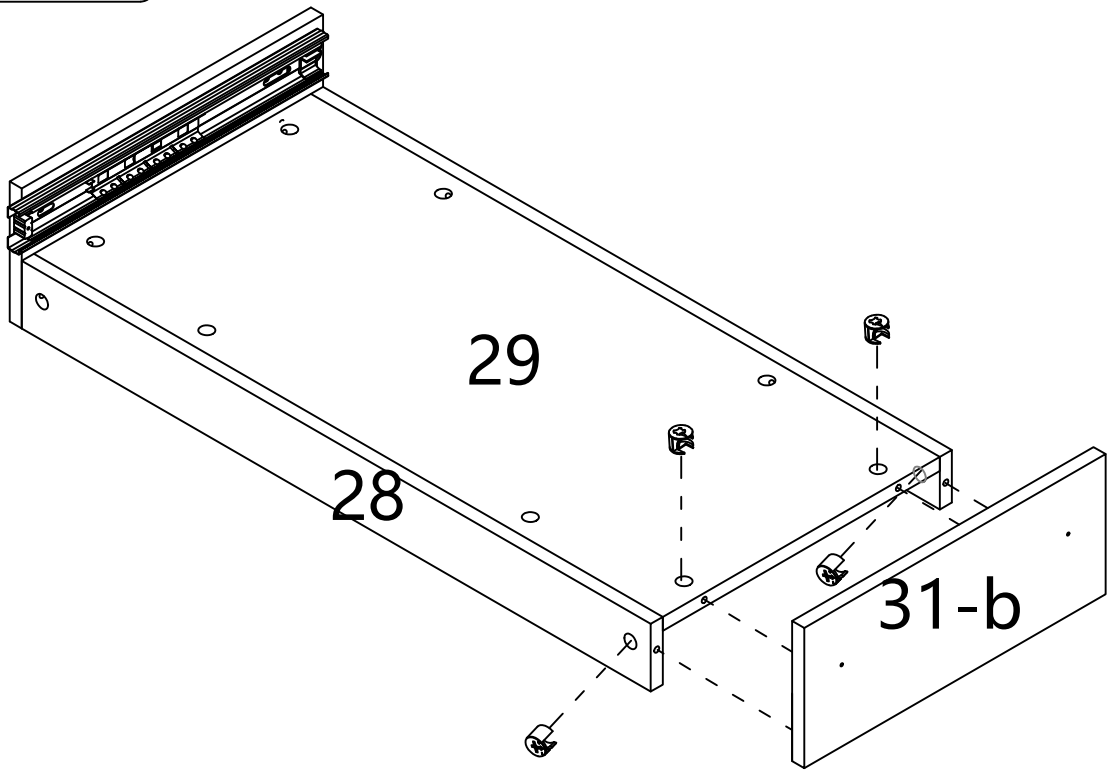
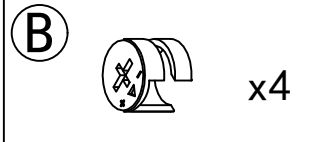
(D)  x1



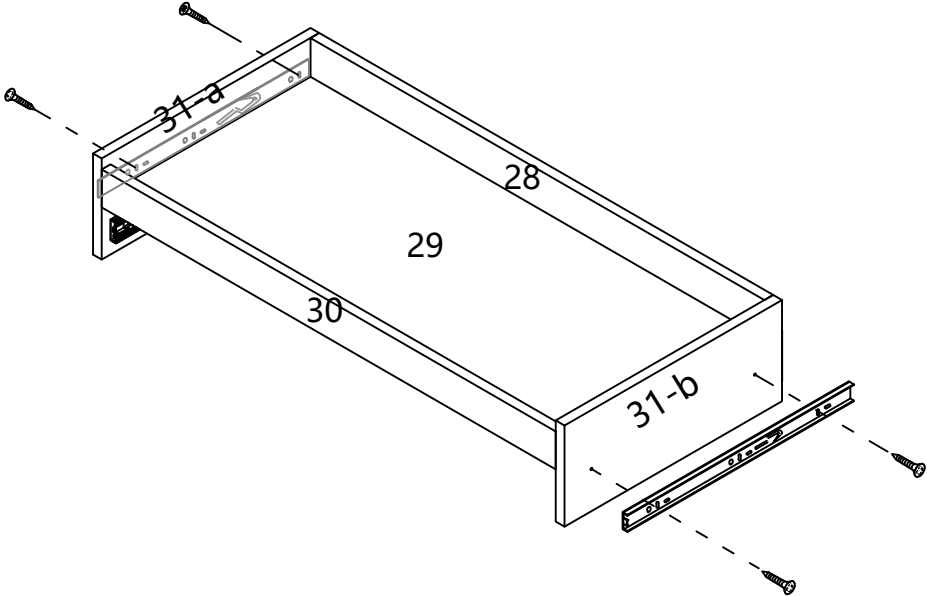
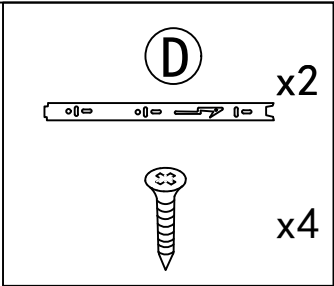
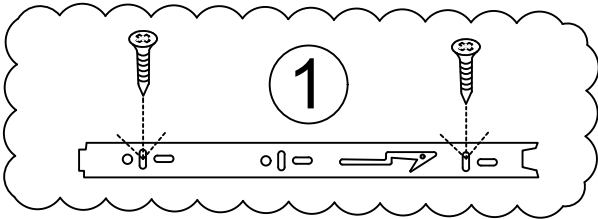
Step 58



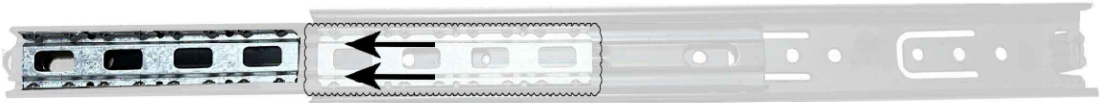
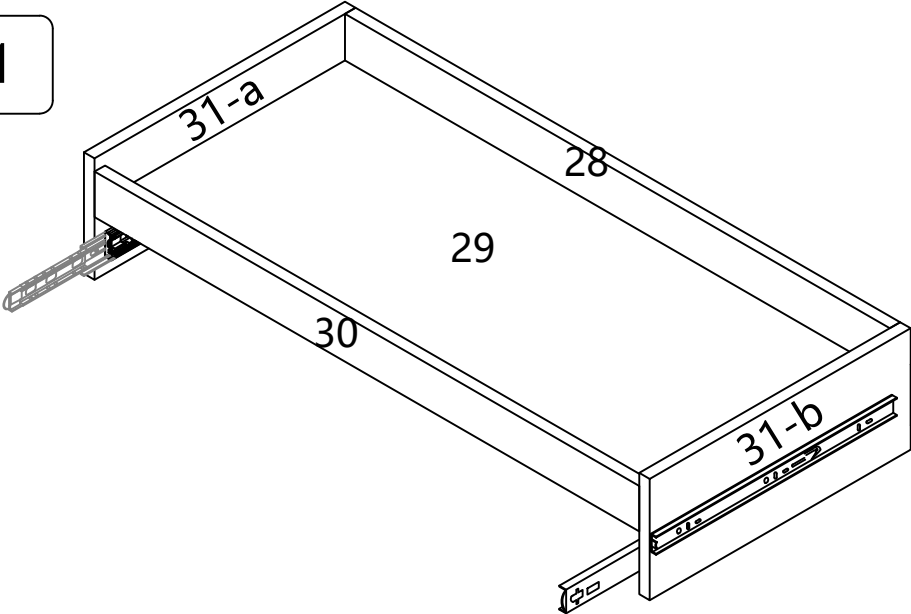
Step 59



Step 60

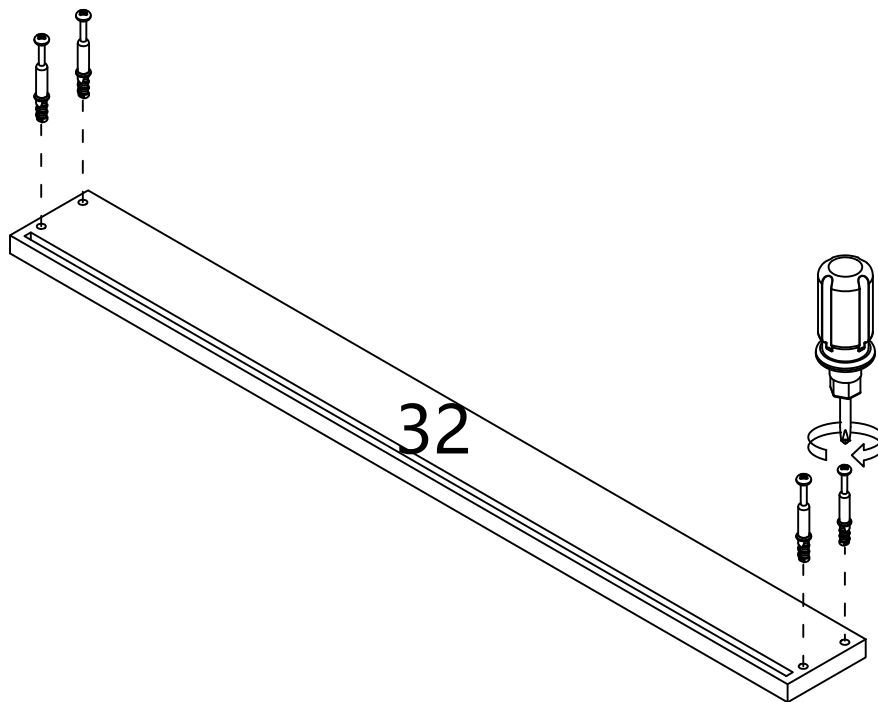
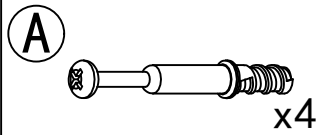


Step 61

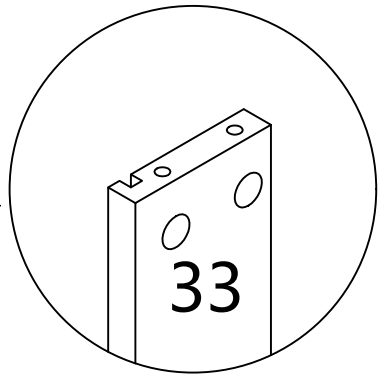
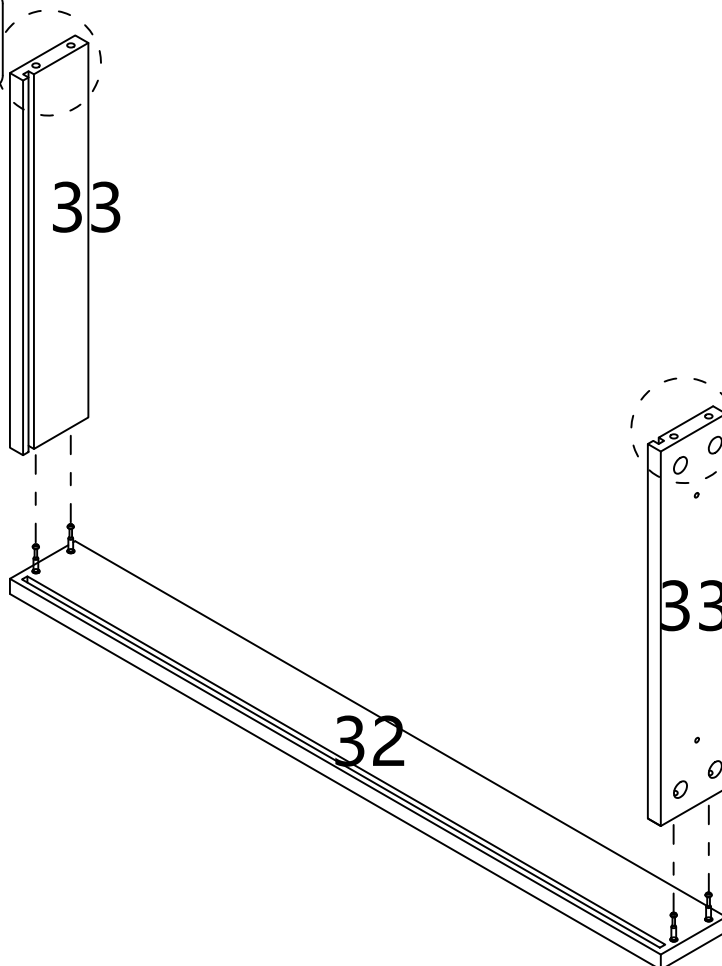
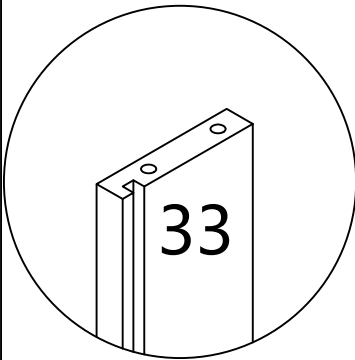


As shown, When installing the drawer, pull the guide rail out first, Slide beads are also pulled out.

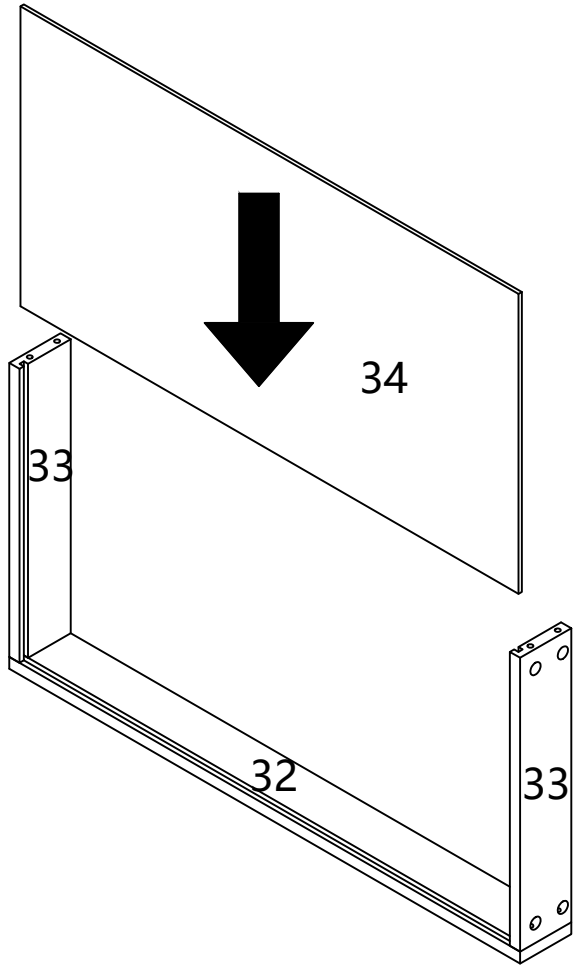
Step 62



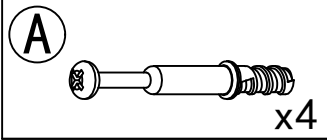
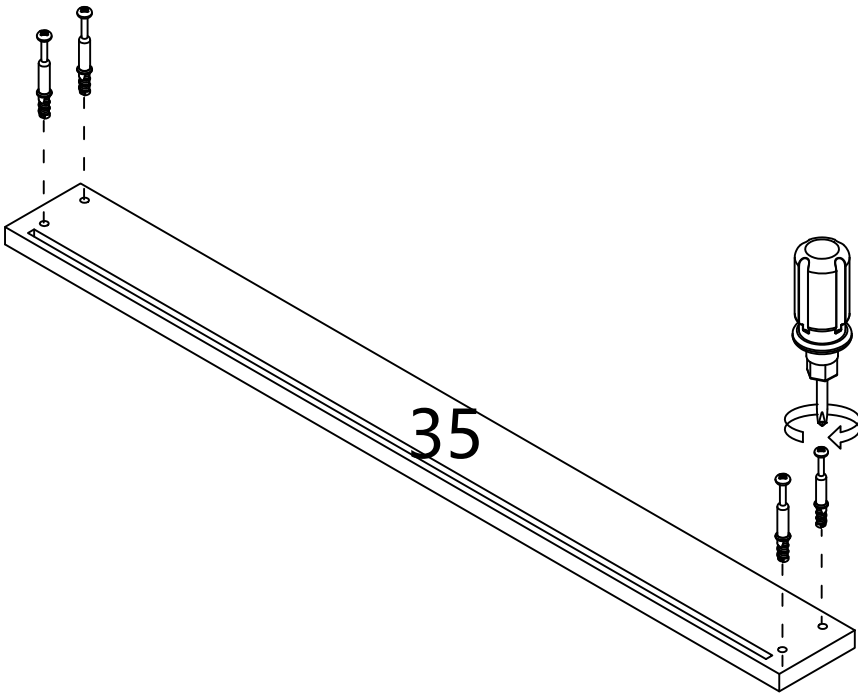
Step 63



Step 64



Step 65

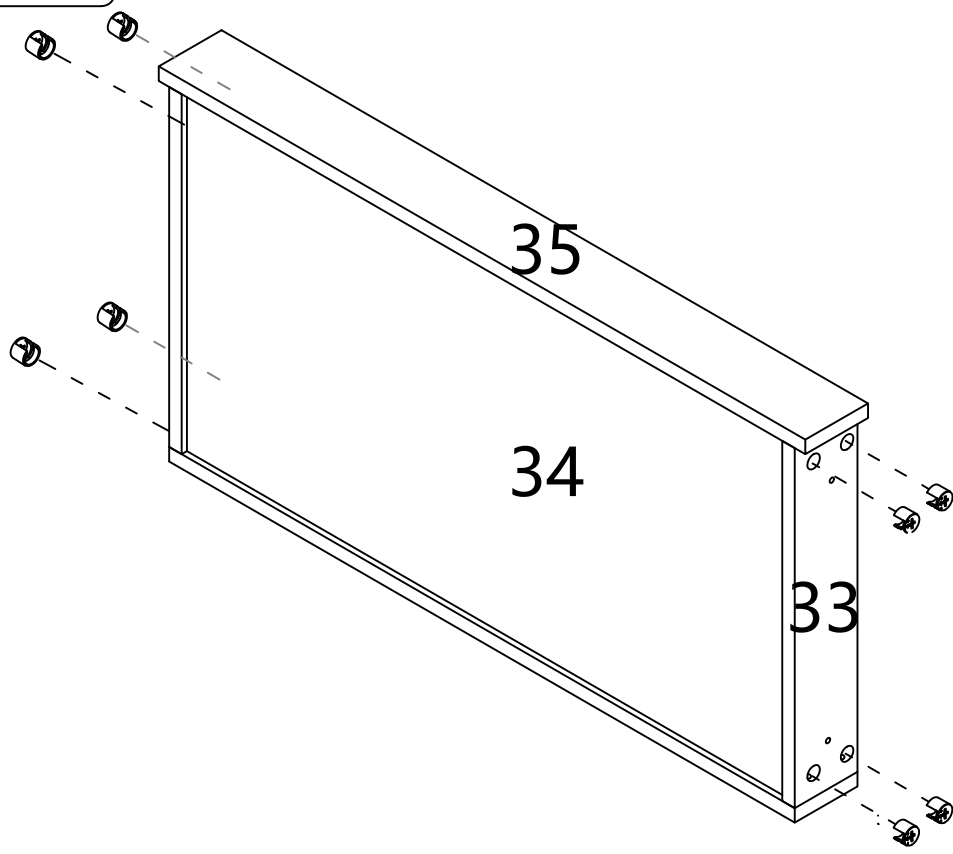


(B)

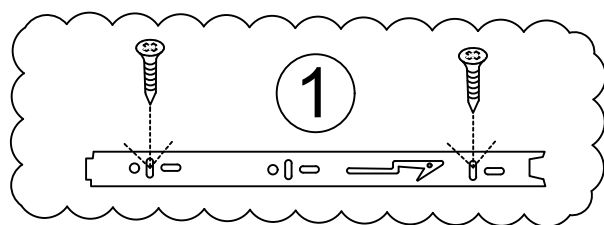


x8

Step 66

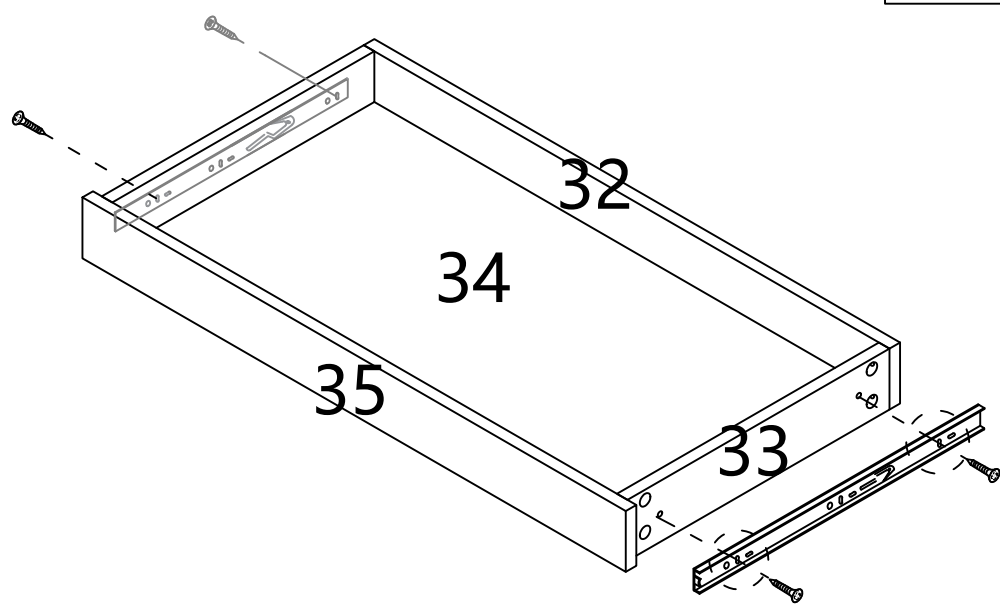


Step 67

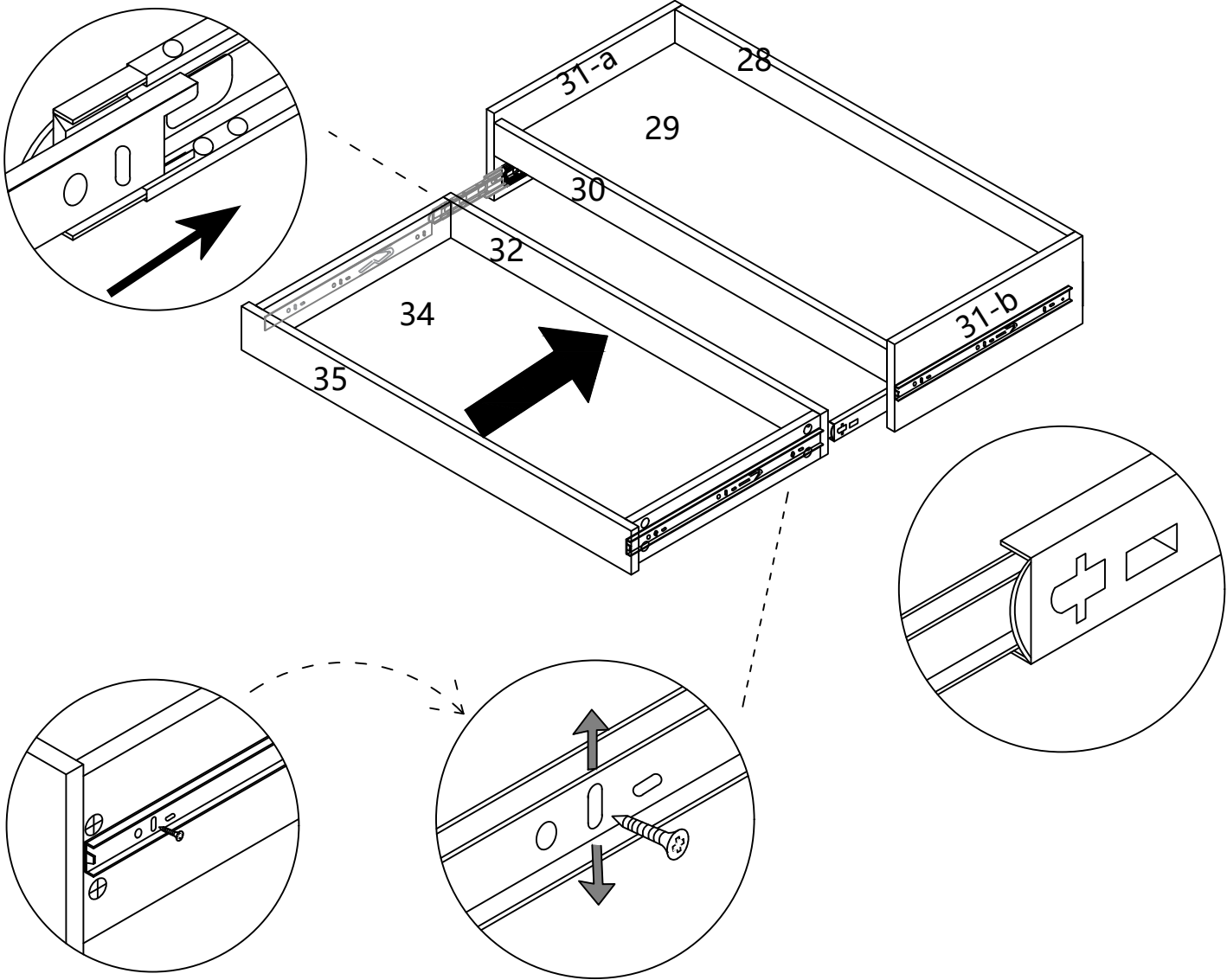


(D) x2

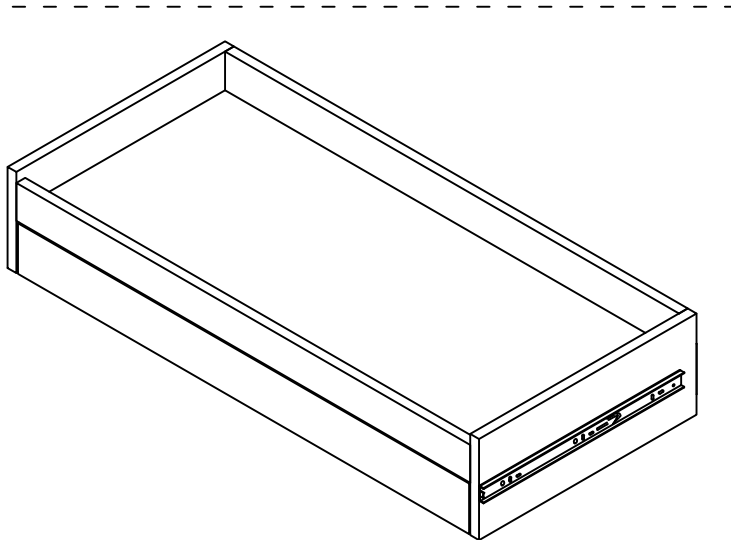
x4



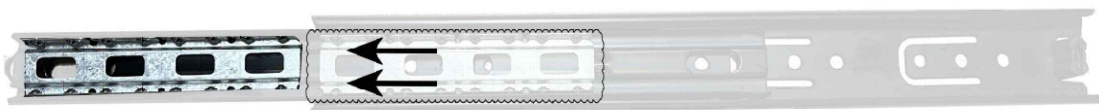
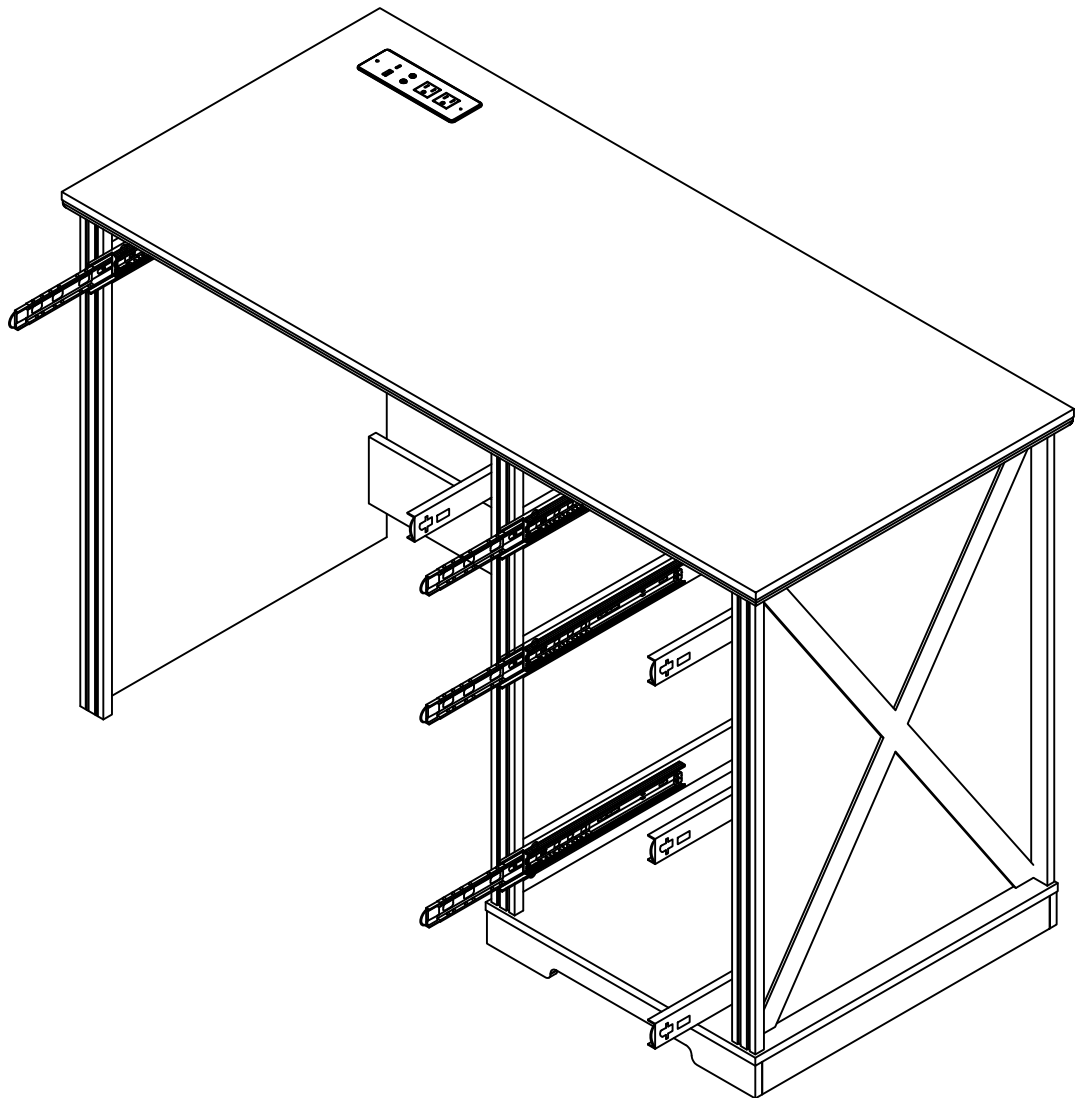
Step 68



If a large gap is found after installing the drawer the slide rail can be moved up and down to adjust the gap

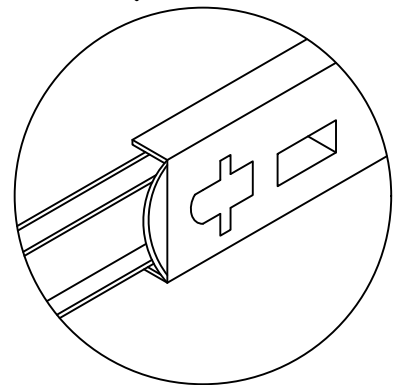
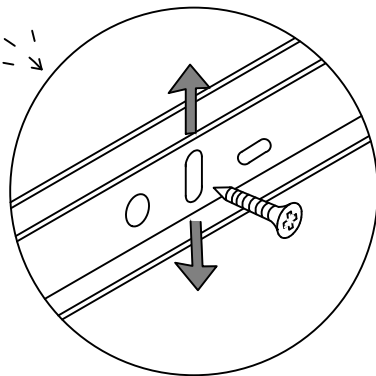
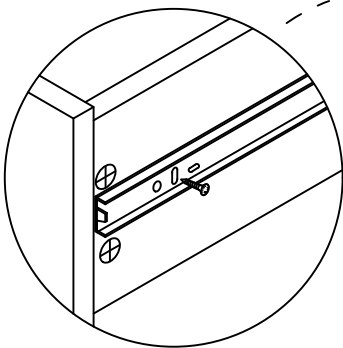
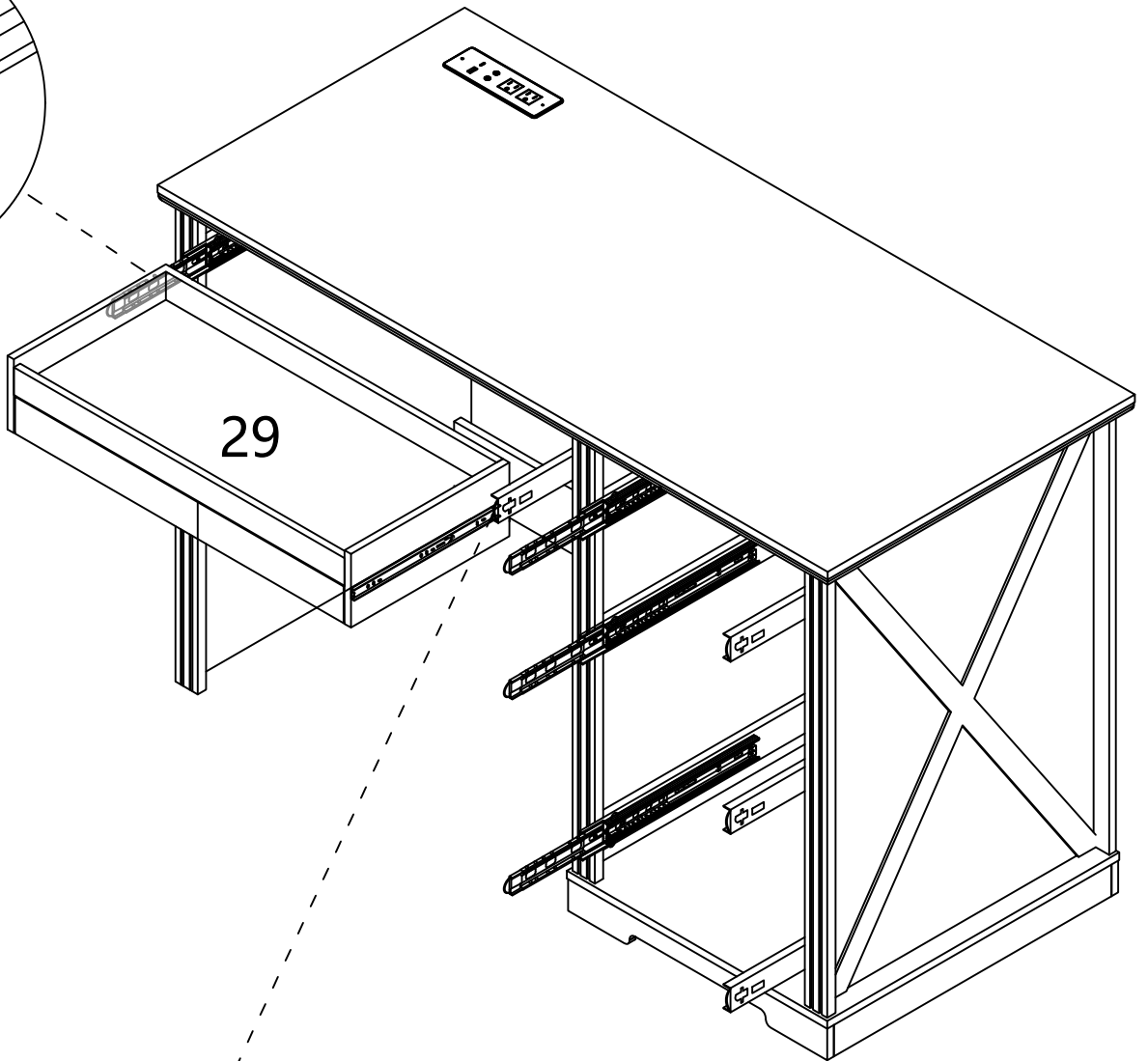
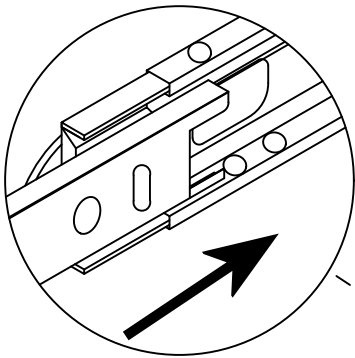


Step 69



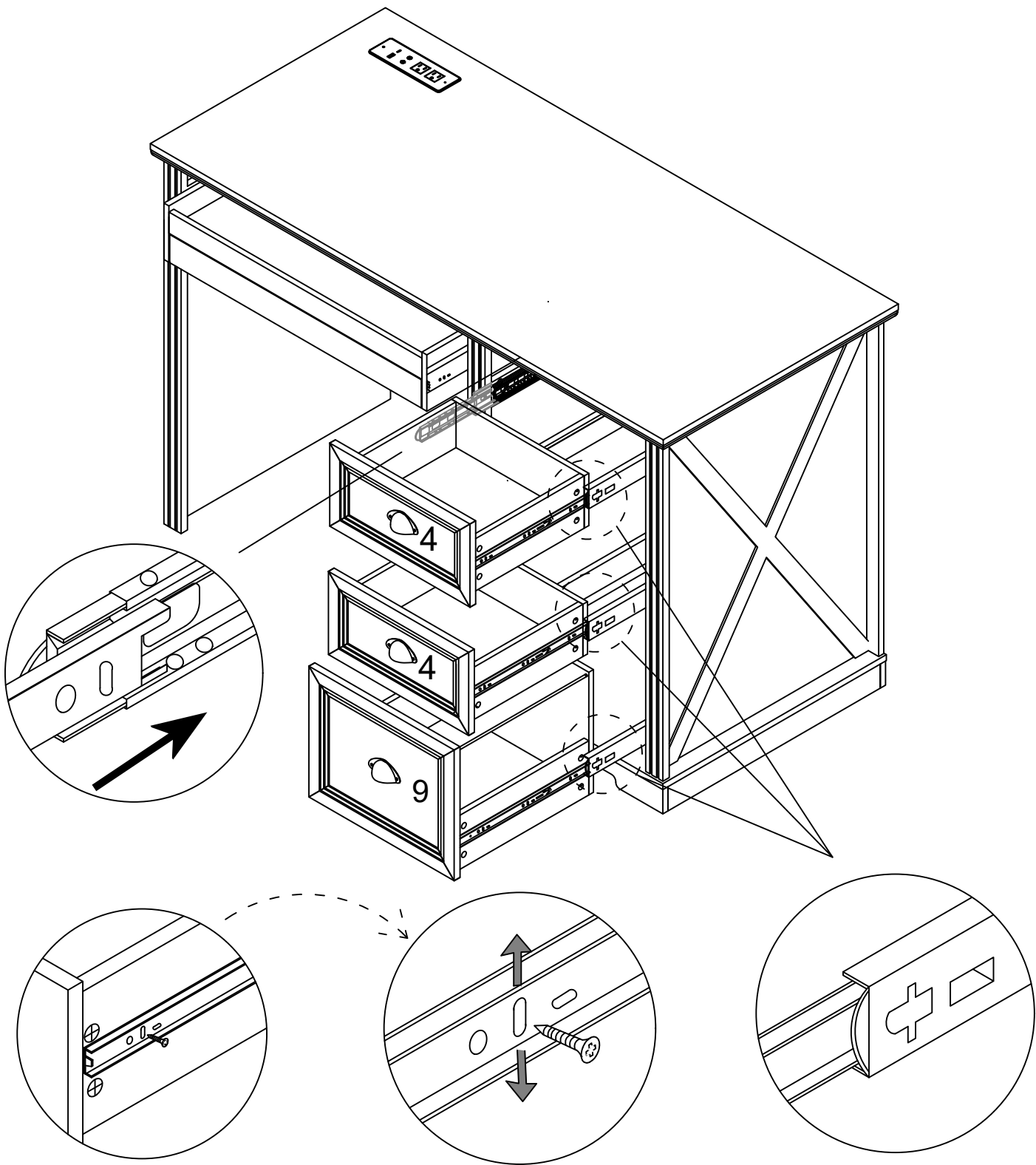
As shown, When installing the drawer,
pull the guide rail out first, Slide beads are also pulled out.

Step 70



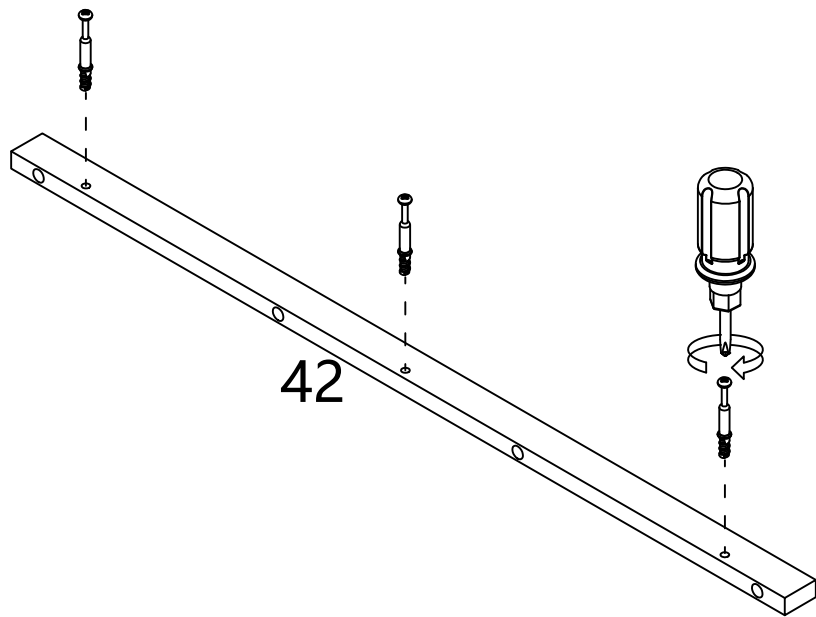
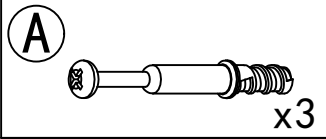
If a large gap is found after installing the drawer the slide rail can be moved up and down to adjust the gap

Step 71

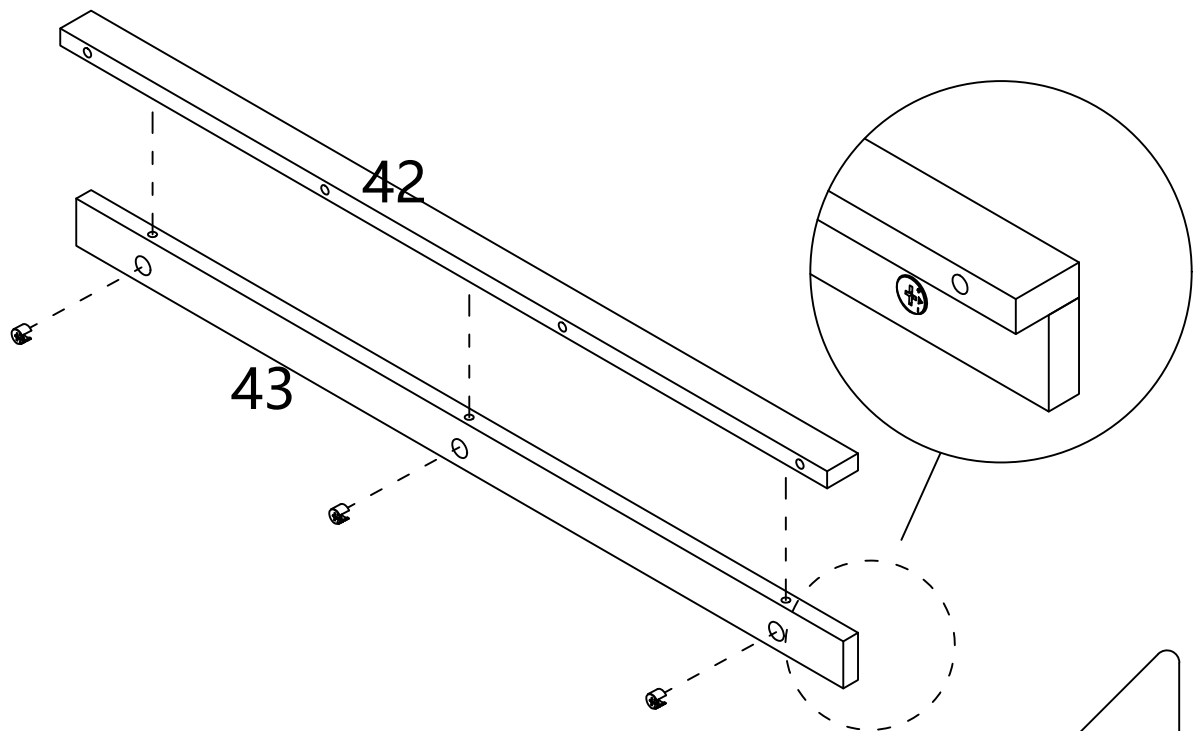


If a large gap is found after installing the drawer the slide rail can be moved up and down to adjust the gap

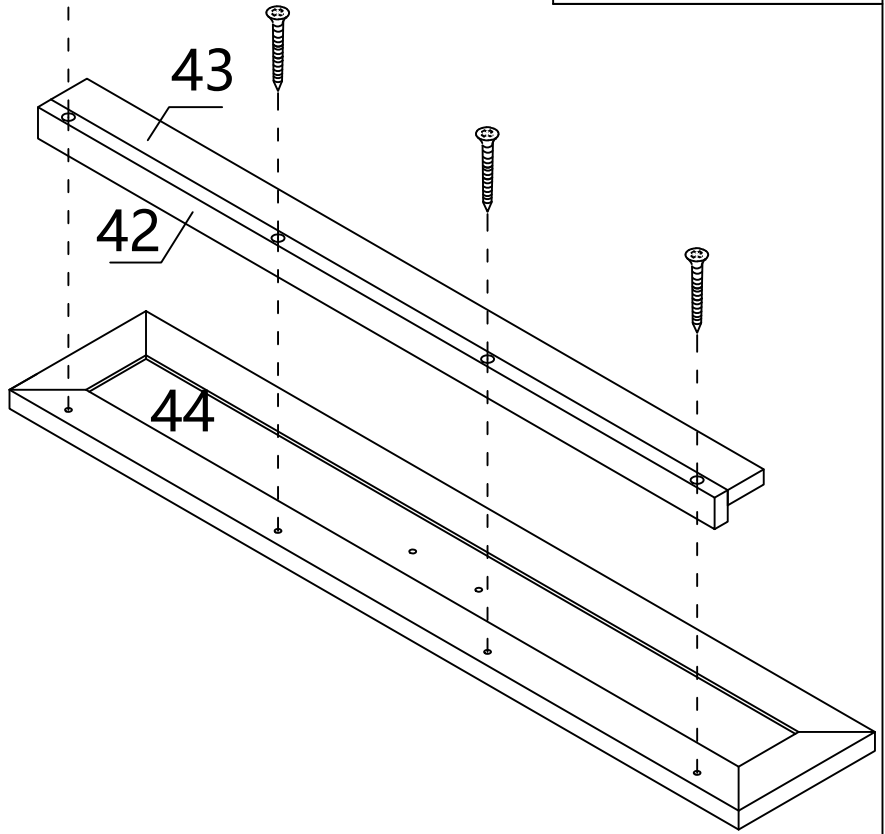
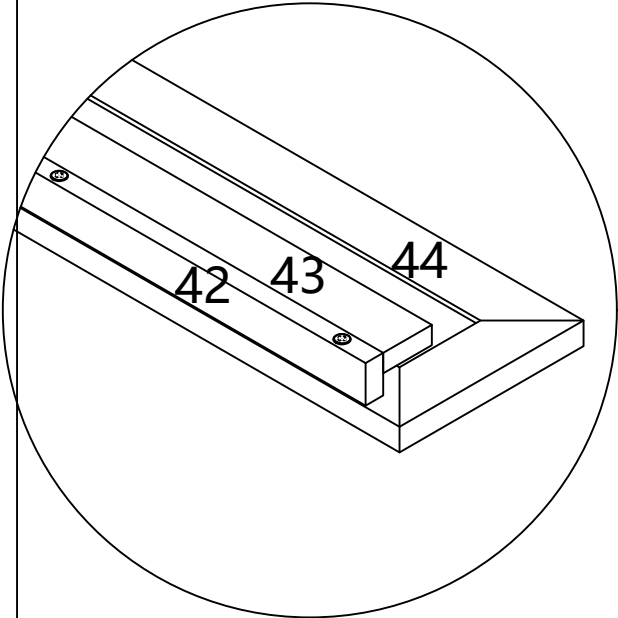
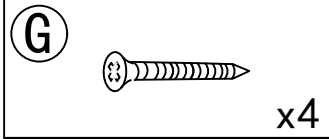
Step 72



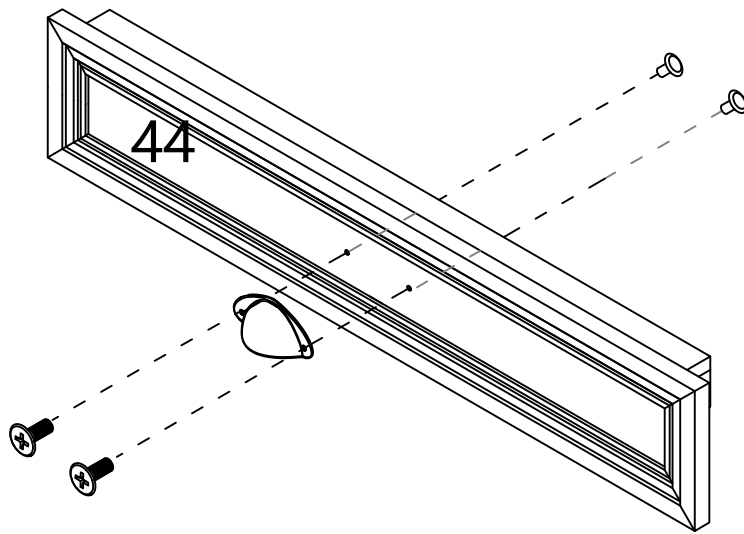
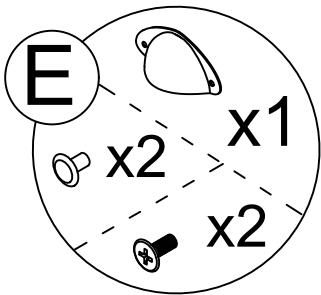
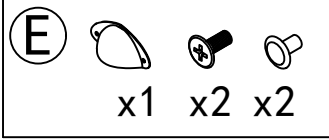
Step 73



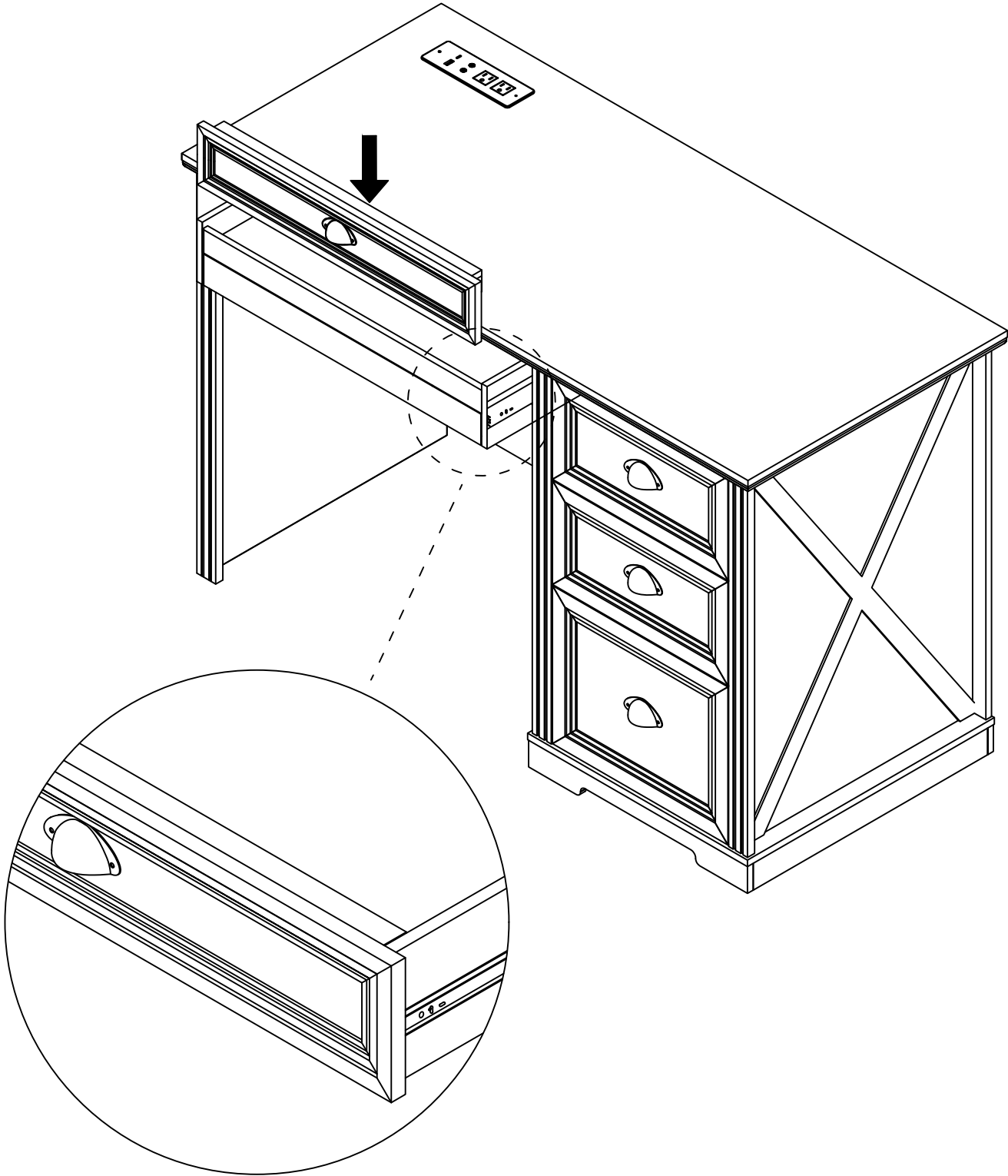
Step 74



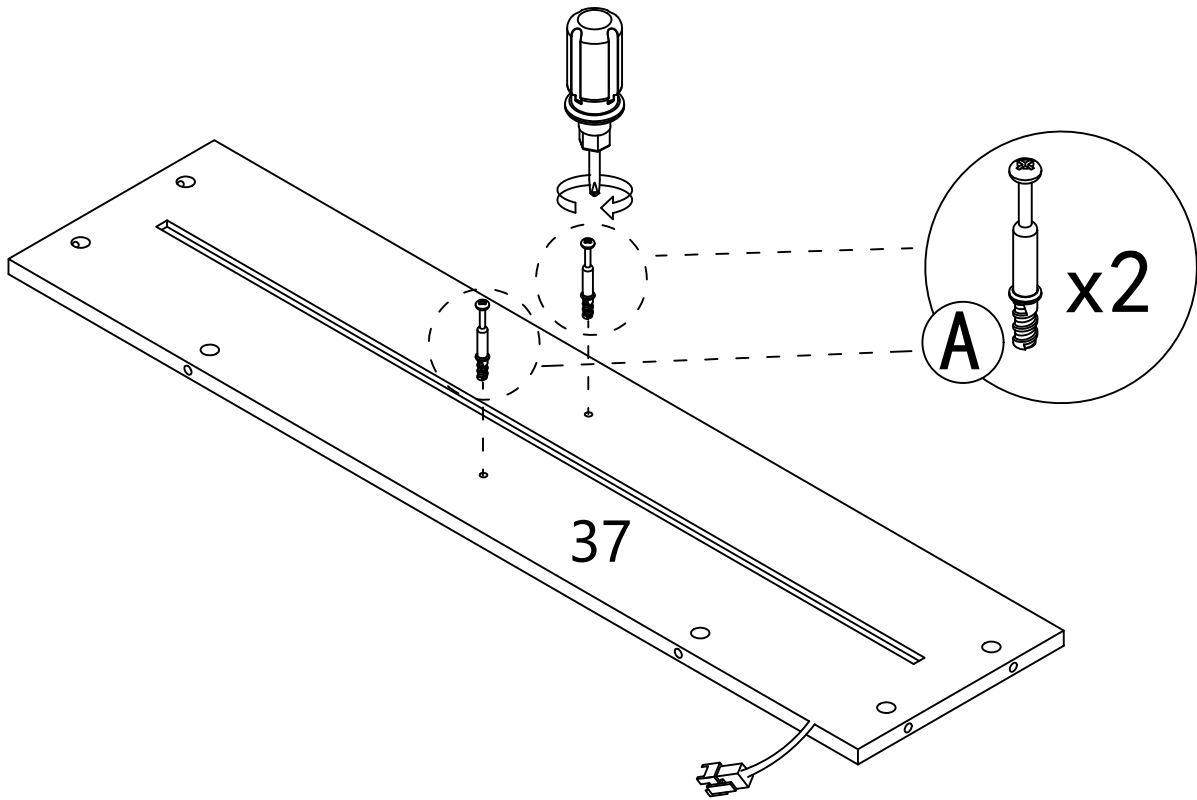
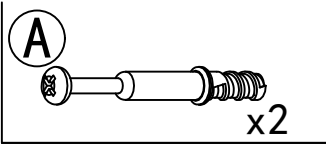
Step 75



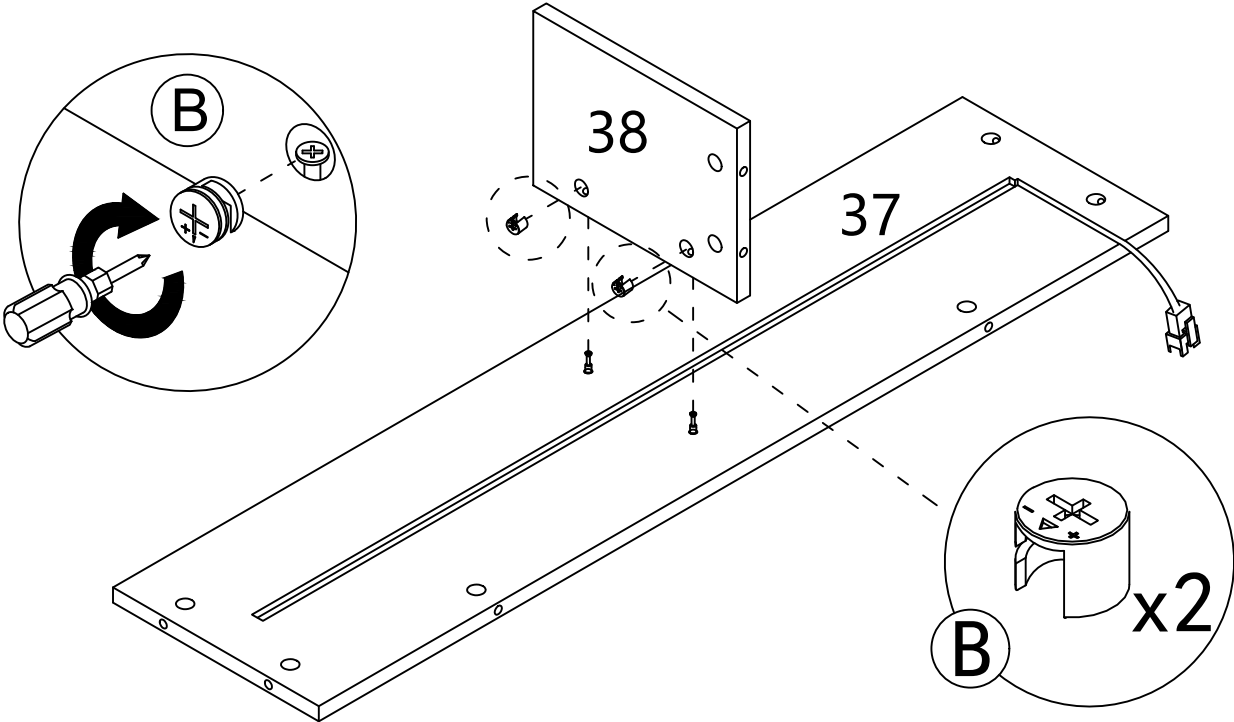
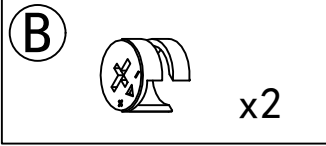
Step 76



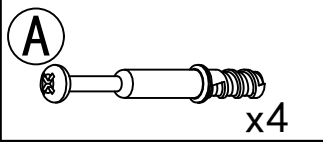
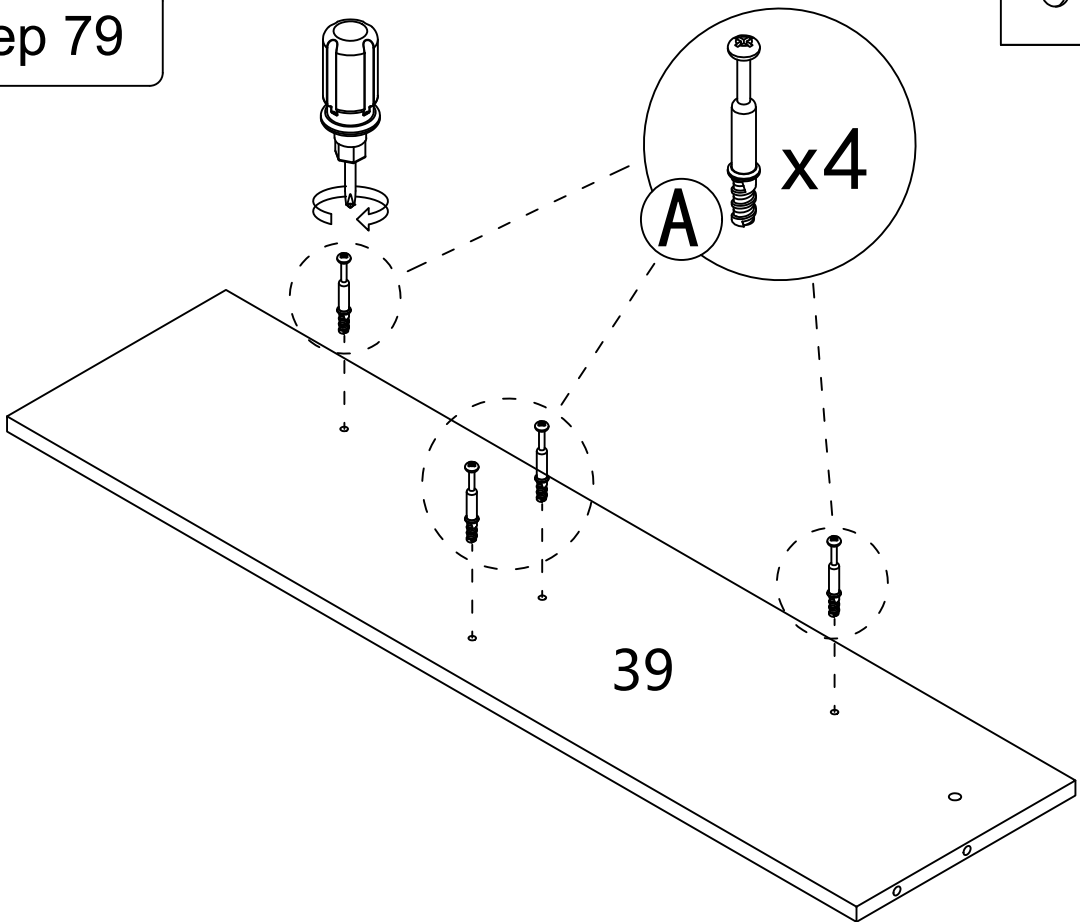
Step 77



Step 78

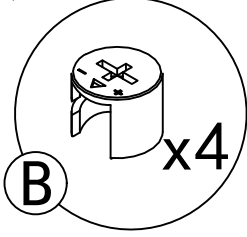
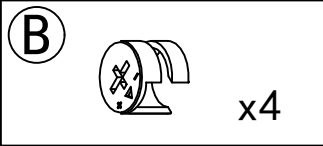
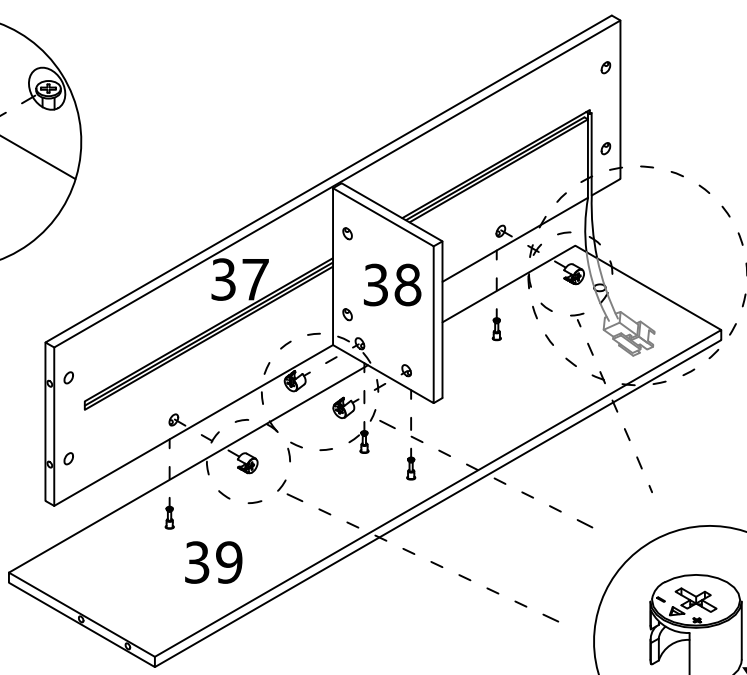


Step 79

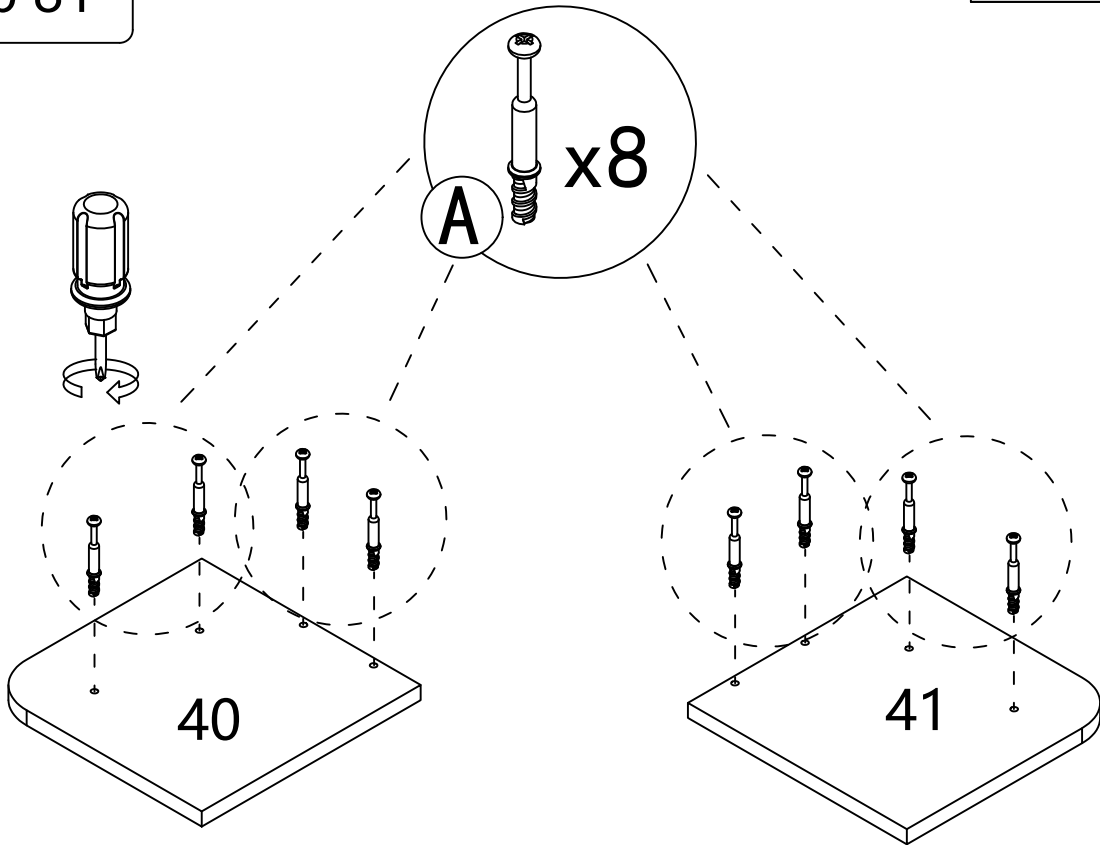
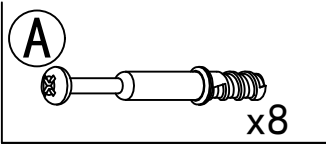


Step 80

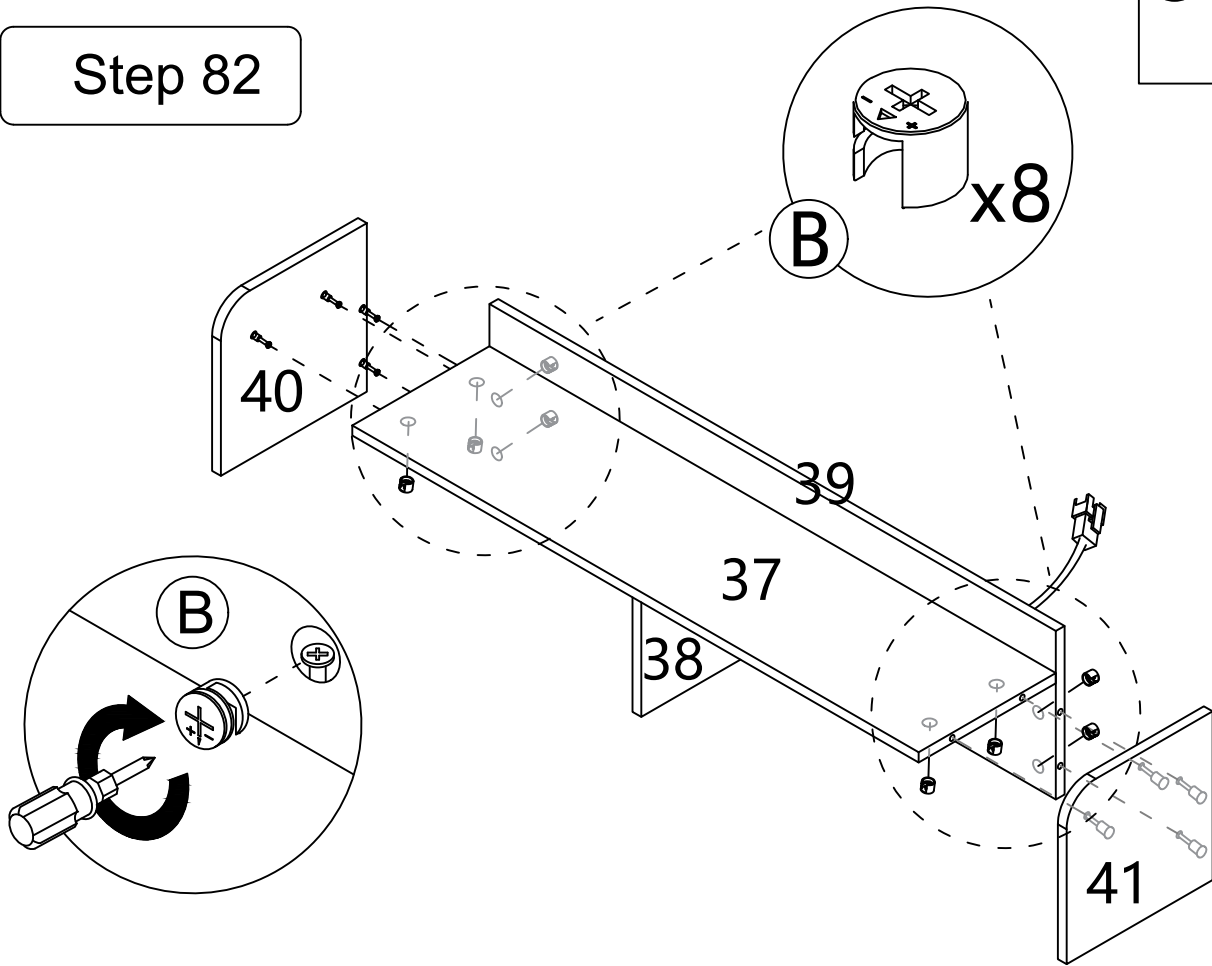
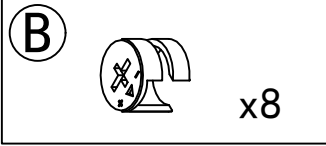
Thread the light wire through the back panel hole



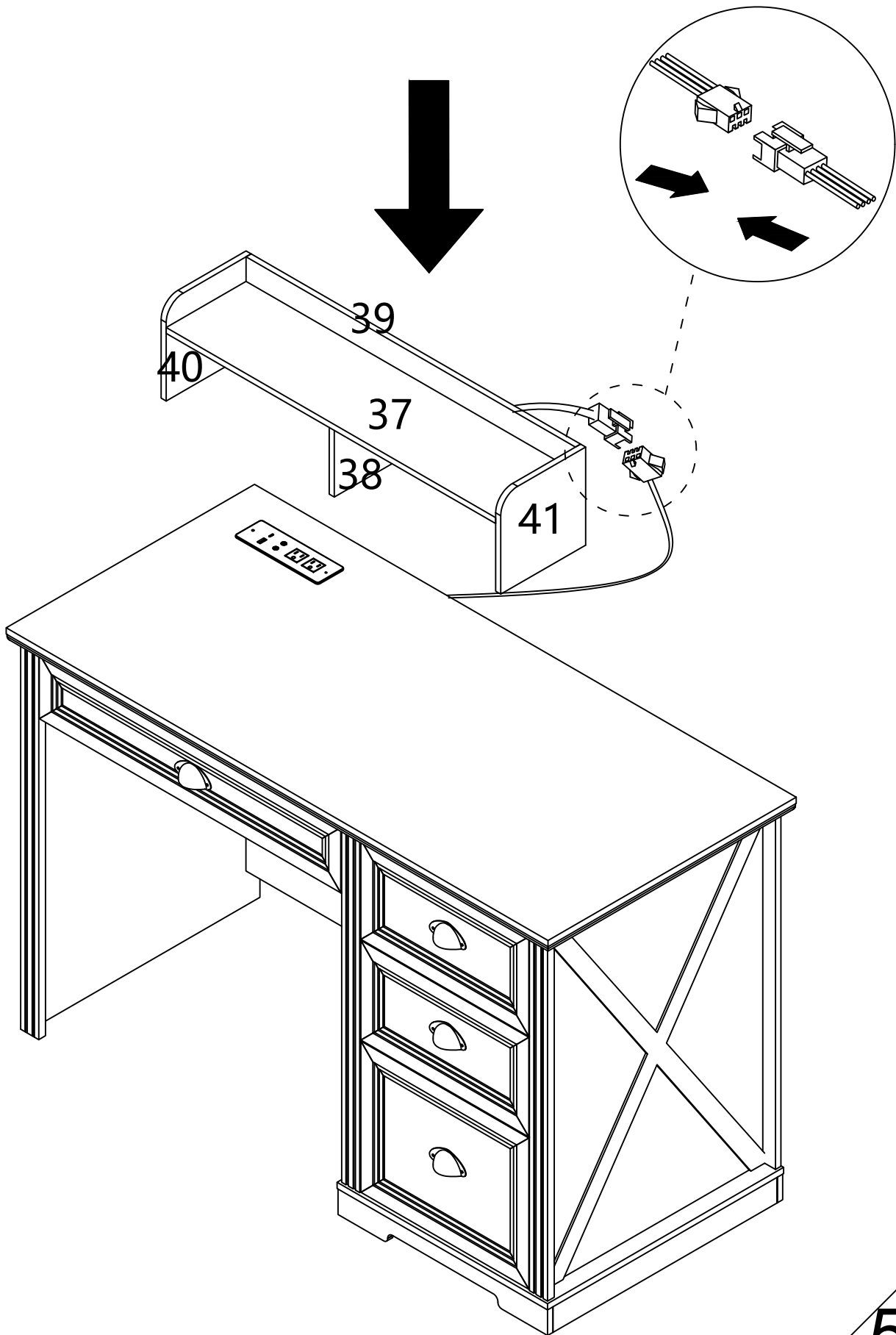
Step 81



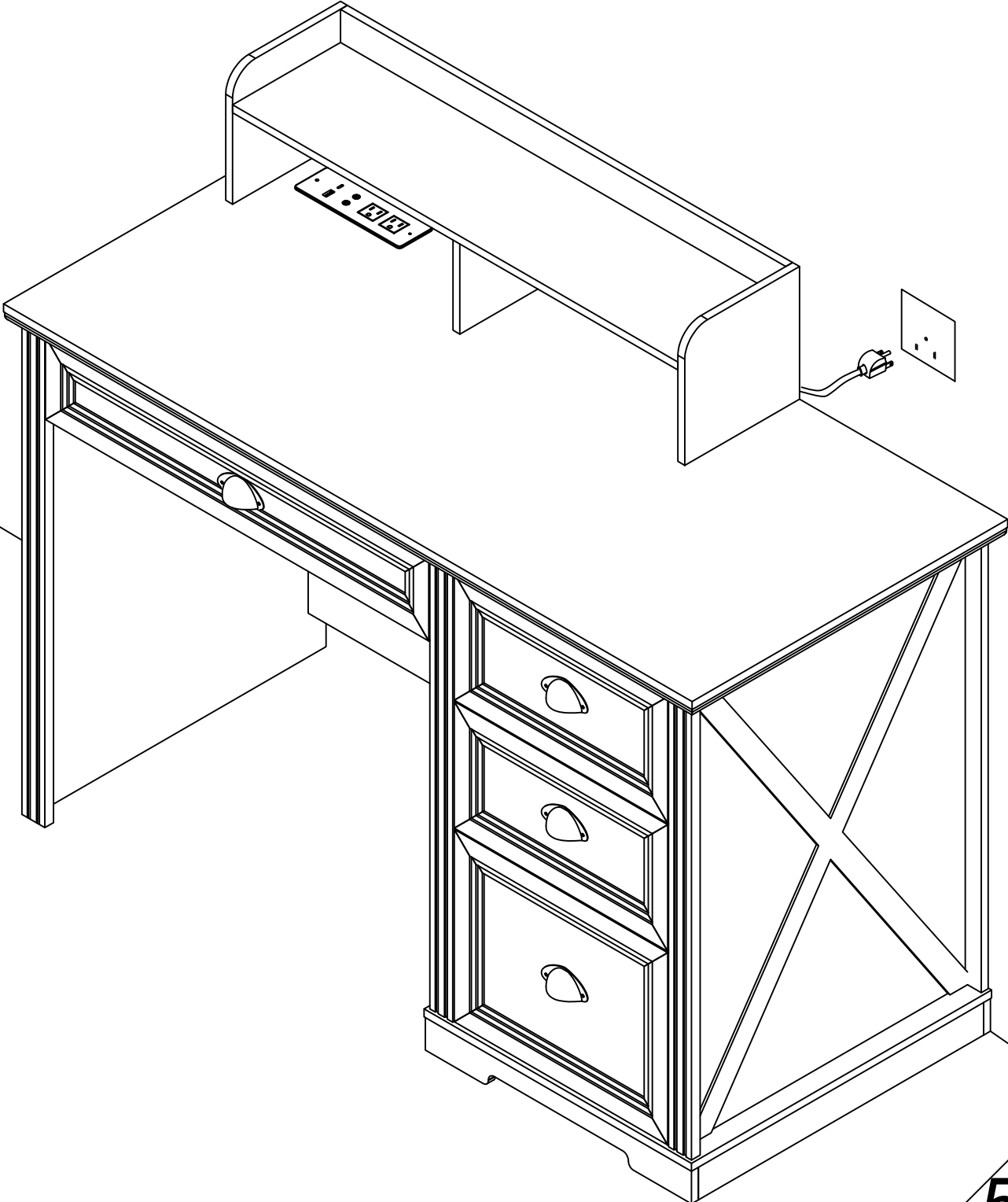
Step 82



Step 83



Step 84



User's Guide

Thank you for purchasing this product.
Please use if the product works normally after connecting to power.

Introduction

The box is an intelligent controller.

It has 1 USB-A output port 1 Type-c output port and 2 socket.

With 2 touch buttons, it can turn. ON/OFF the light,adjust the light luminance,
and change light colors.



Operation



This touch button is used to turn on/off, and adjust brightness.

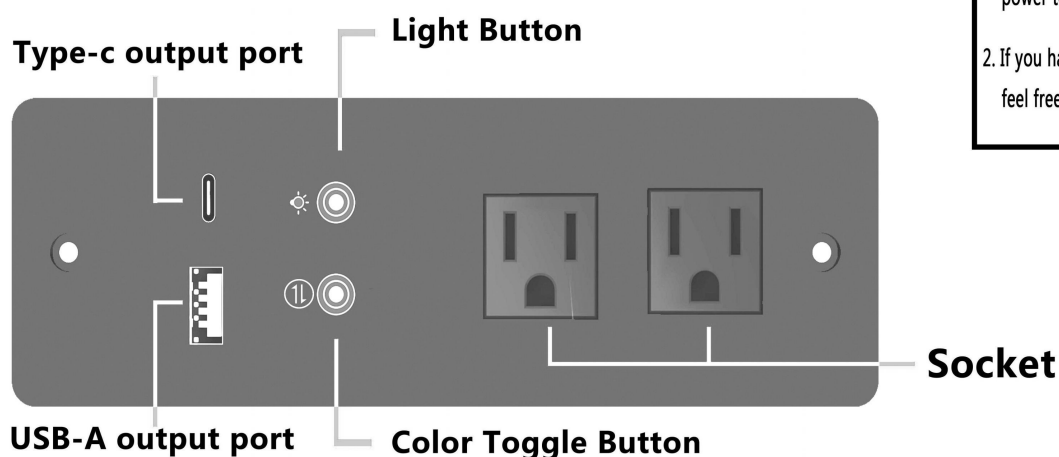
A. Short touch ->lighting on ->short touch ->lighting off(It stays as it was before the last time the lights went out).

B. Long touch -> adjust the luminance.



This touch button is used to change colors.

When the light is turned on, press this button to realize the three-color switching function ,
and this touch key is invalid when the light is not turned on.



ATTENTION PLEASE

1. If there is no touch response suddenly, Re-plug the power to reset the touch static electricity.
2. If you have any questions when installing, please feel free to contact us. Thank you.