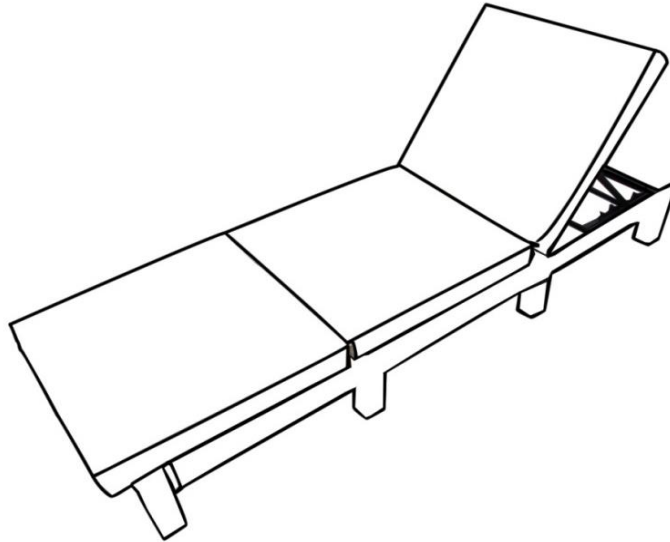


Caution: You must read this before you proceed


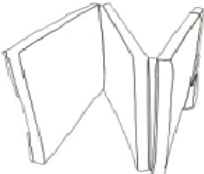
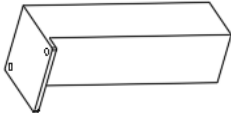
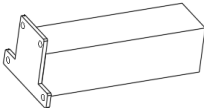
Assembly Instruction

Chaise Lounge


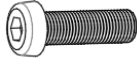



**CAUTION : This Lounge is NOT a TOY.
Keep your child / children at bay during the assembly process.**

Parts list

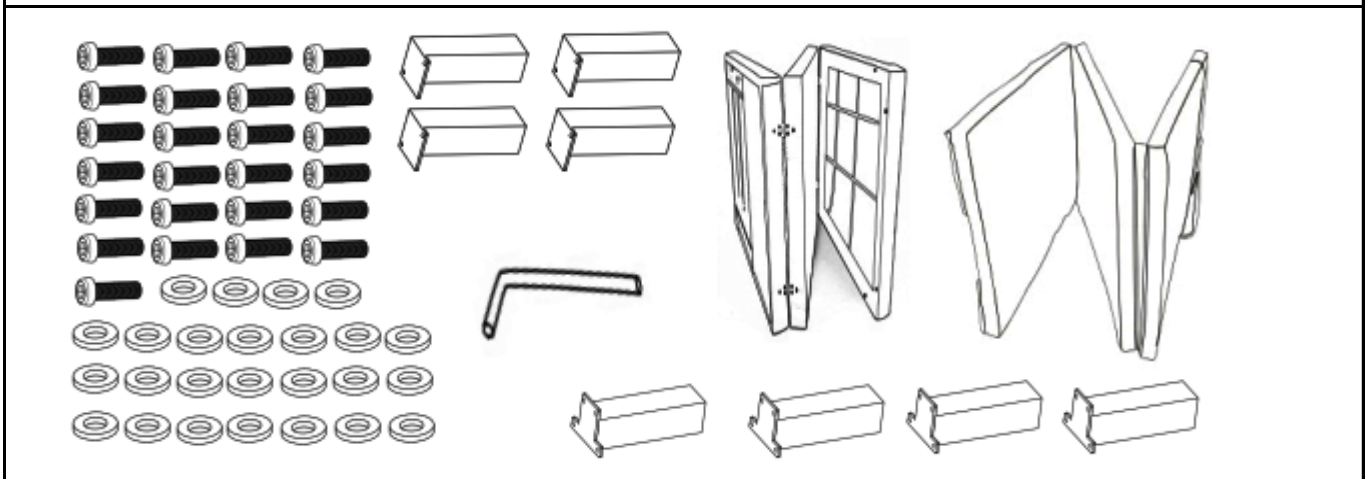
Label	Picture	Description	QTY
A		Seat Panel	1
B		Cushion	1
C		Front & Back Leg	4
D		Middle Leg	4






Hardware

Label	Picture	Description	QTY
①		Allen Key	1
②		Bolt(M6*20MM)	25
③		Washer	25

Assembly Preparation

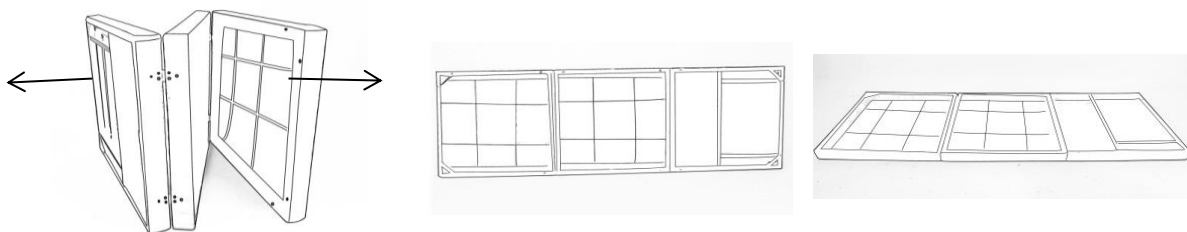
Before Beginning Assembly:



-  • Read instructions, cover to cover-
-  • Have 2 adults on hand for assembly-
-  • Do not assemble on flooring or carpet-
-  • Assemble on a clean non-marring surface (packing foam)-
-  • Save all packaging until finished-

Assembly Steps

Step 1



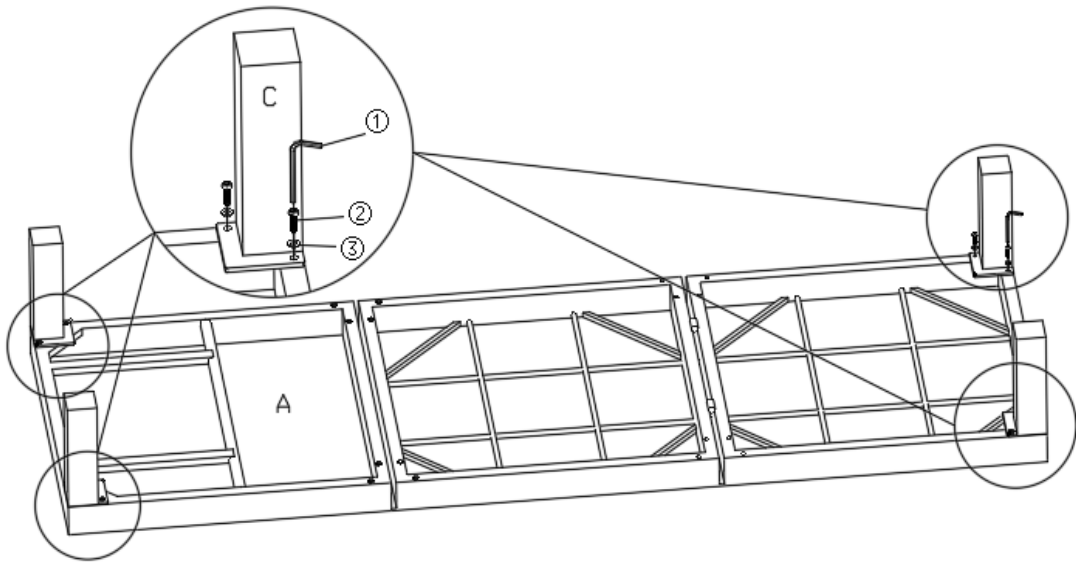
Unpack all parts and place on a clean, non-marring surface.

Unfold Lounge(A) and place face down .

Caution: The Lounge Parts are large and heavy, always have a second Adult to assist you whenever lifting or moving it.

At the same time, please be careful when unfolding the Lounge, as there are pinching hazards.

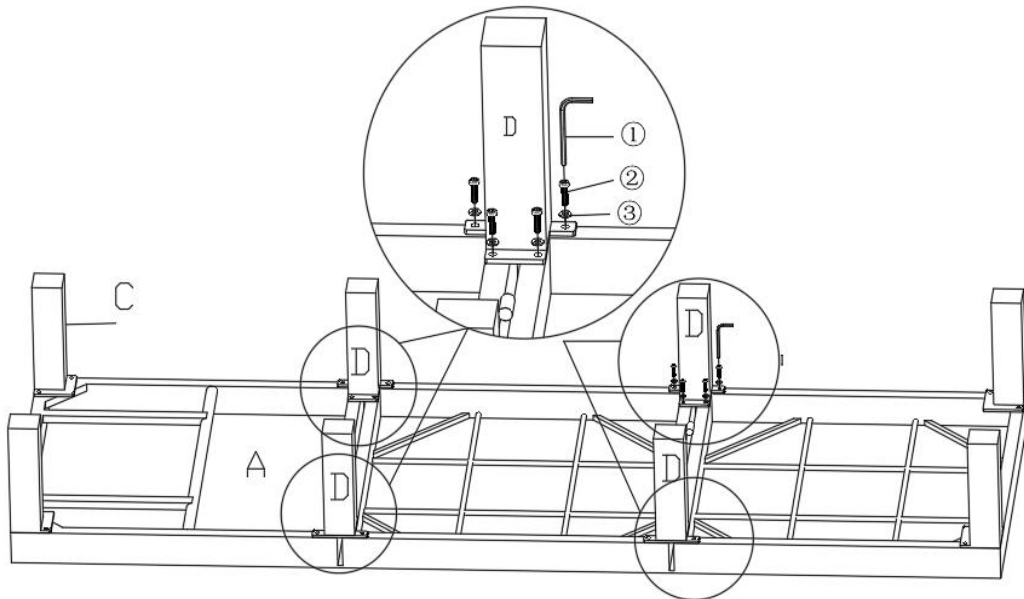
Step 2



Attach Front and Back Leg((C) to the Lounge(A) using Bolt(2) and Washer (3) with Allen Key(1).

Do not tighten Bolts .

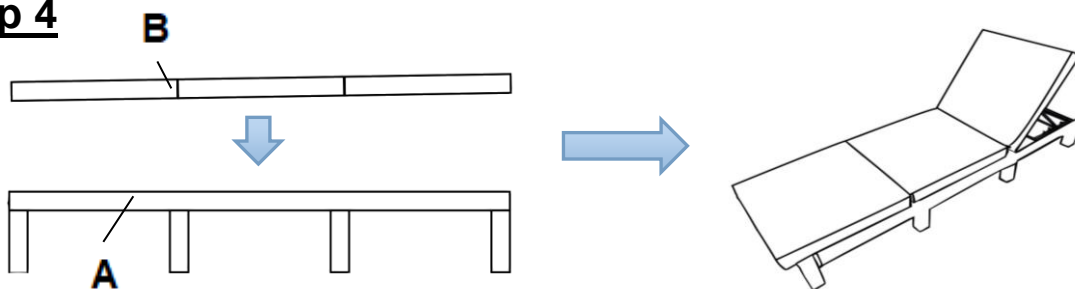
Step 3



Attach Middle Leg((D) to the Seat Panel(A) using Bolt(2) and Washer (3) with Allen Key(1).

Now, in a sequential manner, proceed to fully tighten all Bolts at all joints.

Step 4

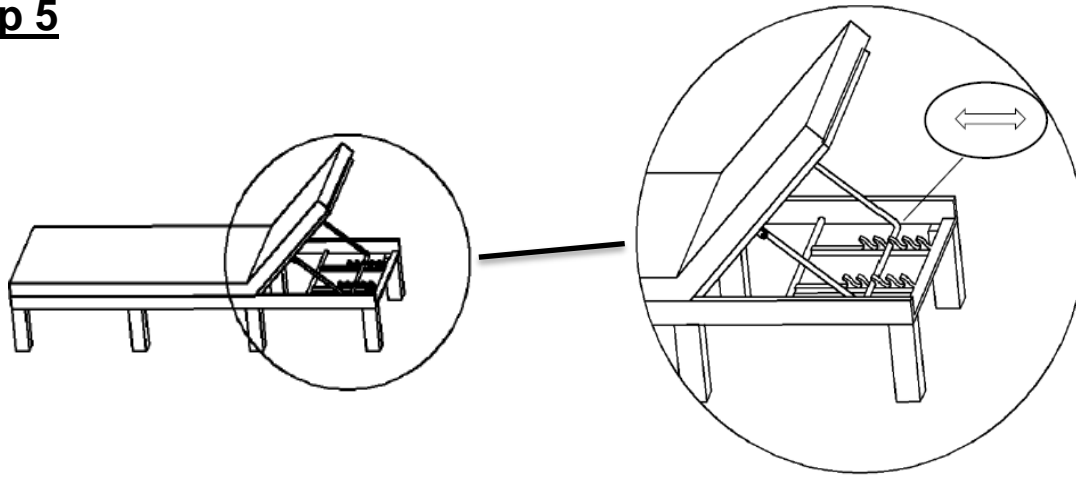


Carefully, with assistance from a second Adult, place the Lounge to stand on its side.

The stand the lounge the right side up.

Place the Cushion (B)on the Lounge.

Step 5














Gently lift the back of the Lounge.

Adjust the support bar left and right to control the height of the backrest as shown in the picture.

Now Your Chaise Lounge is ready for use.

Care & Maintenance

- ⊘  • Prolonged exposure to rain may cause rusting which can stain floors.
 - ⊘  • Do not put hot items directly on furniture surface.
 - ⊘  • Do not clean furniture with harsh cleansers or polish.
 - ✓  • To obtain the longest lifespan of your outdoor products, minimizing exposure to direct sunlight is recommended.
 - ⊘  • Children should not climb or jump on the furniture.
 - ⊘  • Do not write on furniture without a padded barrier to protect the surface.
 - ✓  • To obtain the longest lifespan of your outdoor products, avoid extended and lengthy exposure to rain, snow, and direct sunshine. Whenever possible cover the product and /or place under patio or awnings.
 - ⊘  • Not for commercial use. For residential use only.
 - ⊘  • Stains may be removed with mild soap solution and damp cloth.
 - ✓  • Keep away from sources of ignition.
-
- ✓  • Dust and pick-up spills using a clean, non-colored, lint-free cloth.
-