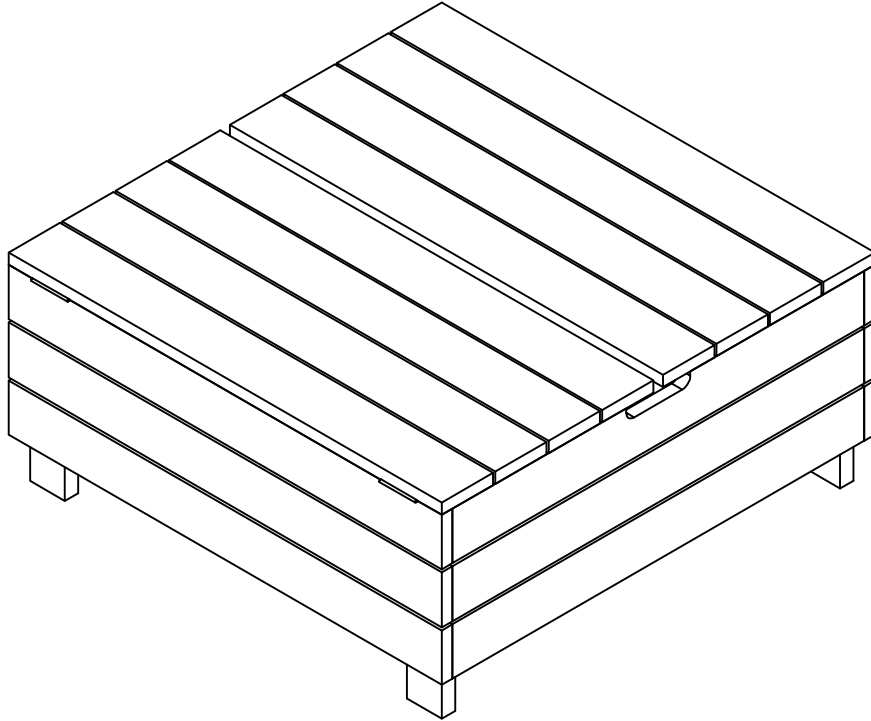


ASSEMBLY INSTRUCTION

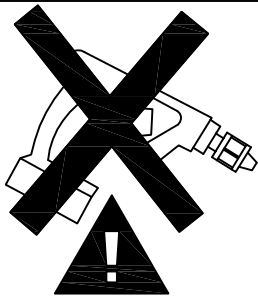
Storage Coffee Table

32"Lx32"Wx15"H

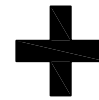
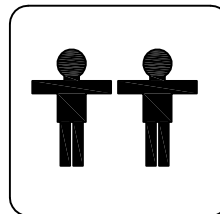


Customer Service

If you have any questions about assembly or possible missing parts, please contact us and we will be glad to assist you.

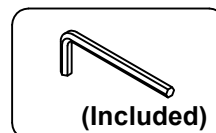


. Use of power tool to assemble this product will invalidate any claim and damage this product making it unsafe !!!
. Please assemble on a clean soft surface to avoid damage.



60 minutes

Tools Required

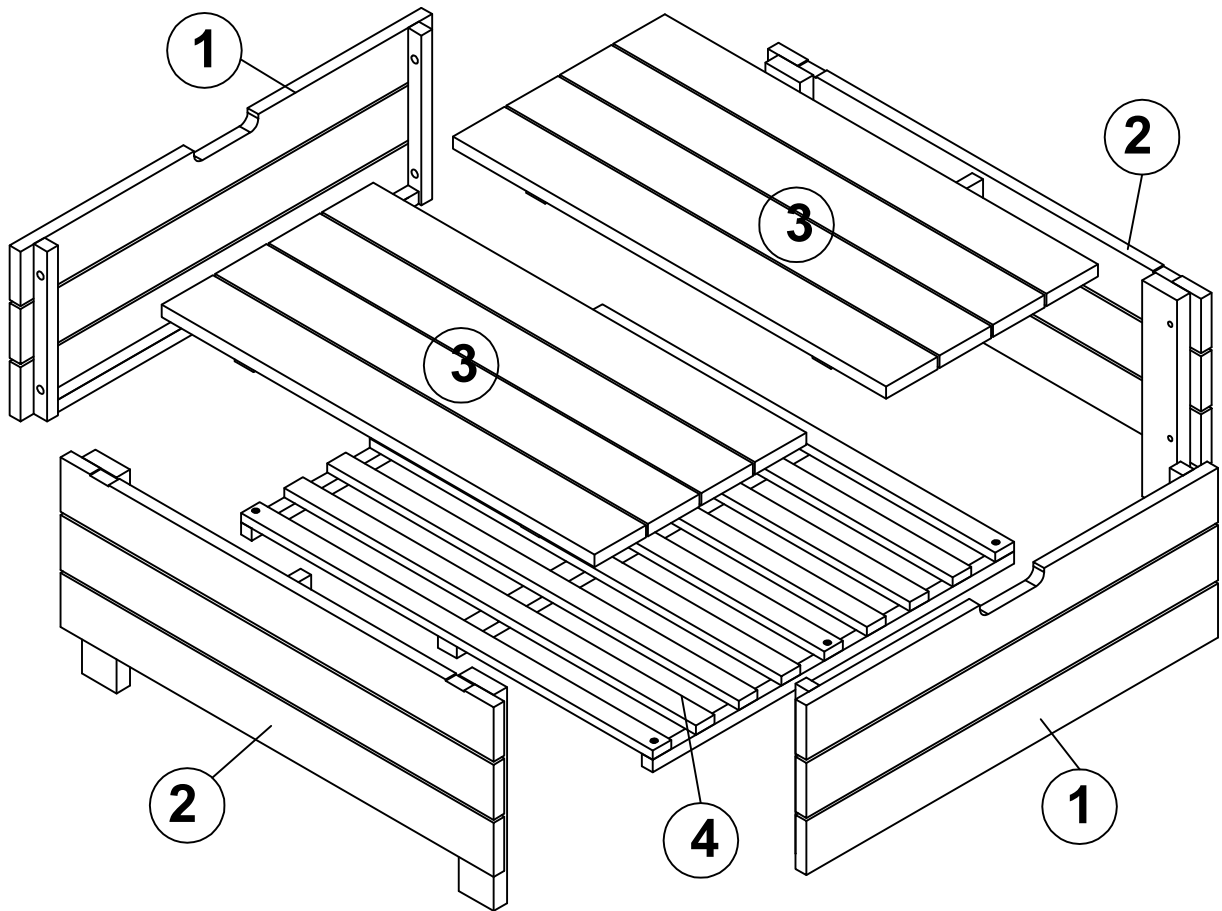


(Included)

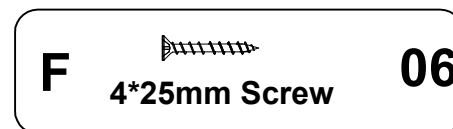
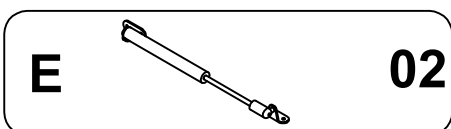
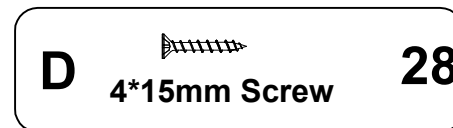
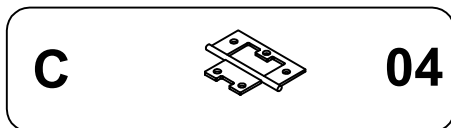
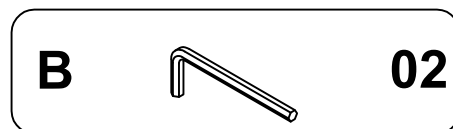
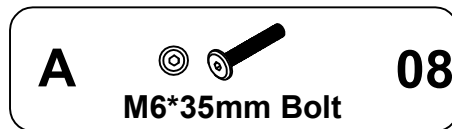


(Not Included)
Phillips Screwdriver

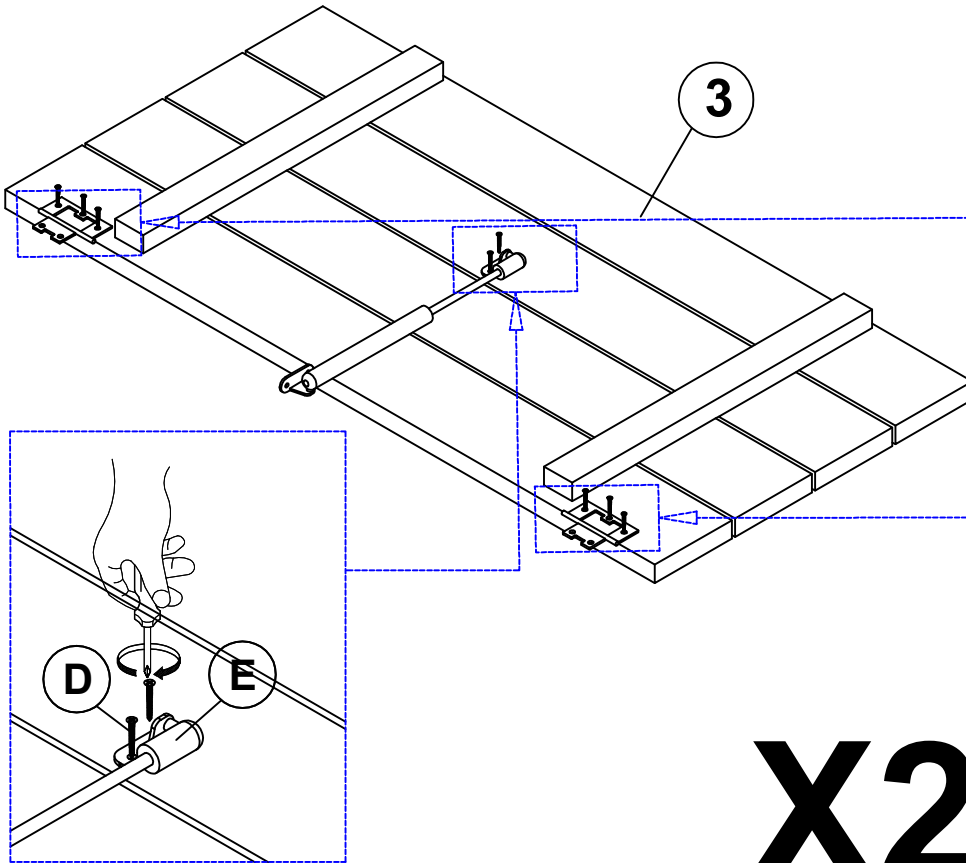
Part list - Storage Coffee Table


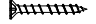
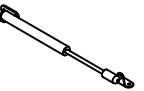
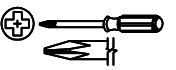


Identifying the hardware-Identify the hardware using the illustrations below



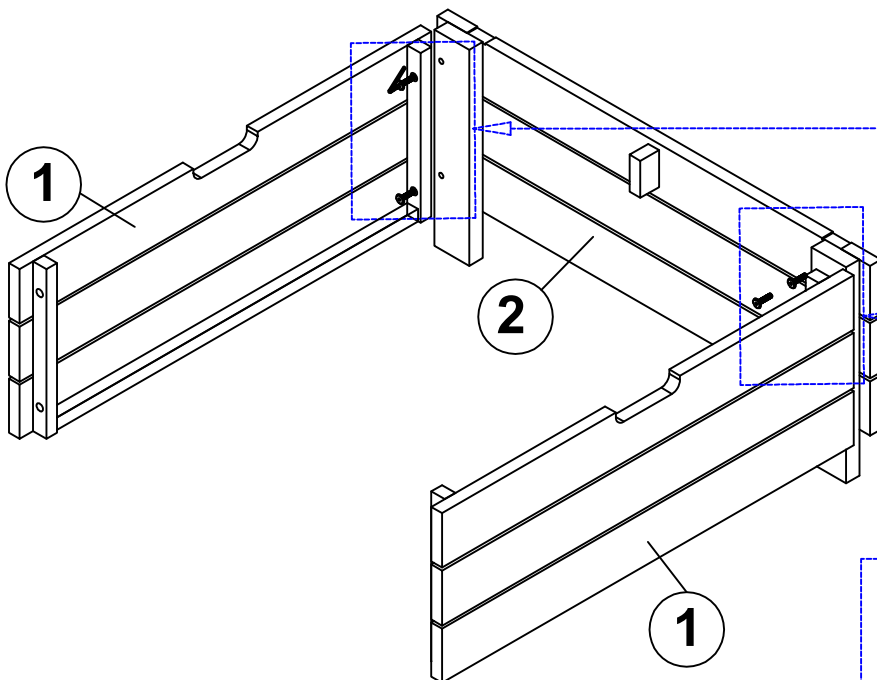
Step 01


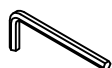


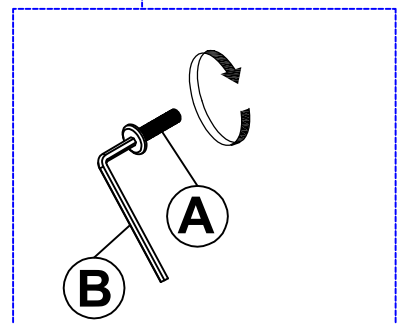
- C  04
- D  4*15mm Screw 16
- E  02
-  01

X2


Step 02




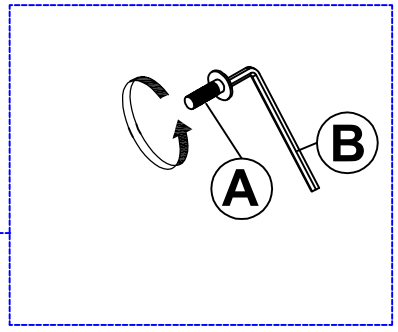
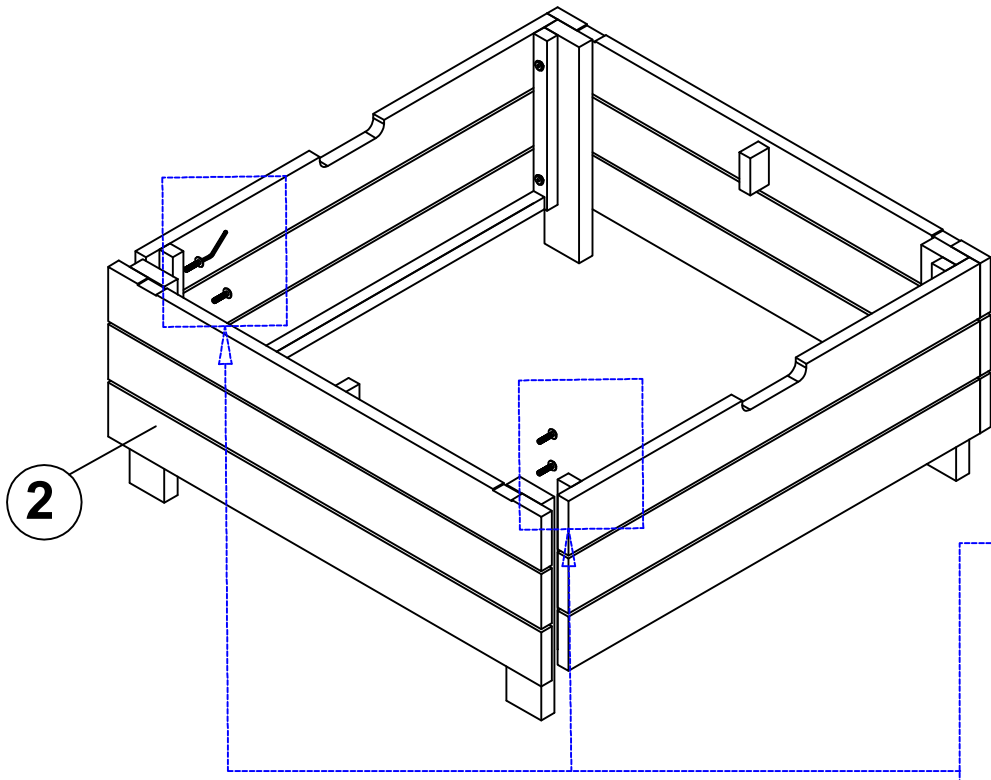
- A  M6*35mm Bolt 04
- B  01



Step 03

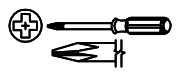
A  **04**
M6*35mm Bolt

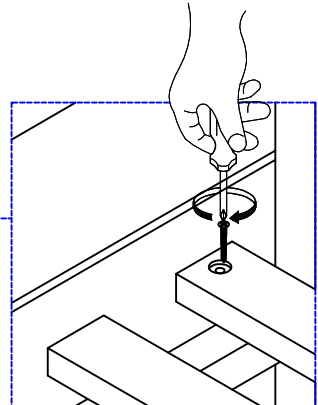
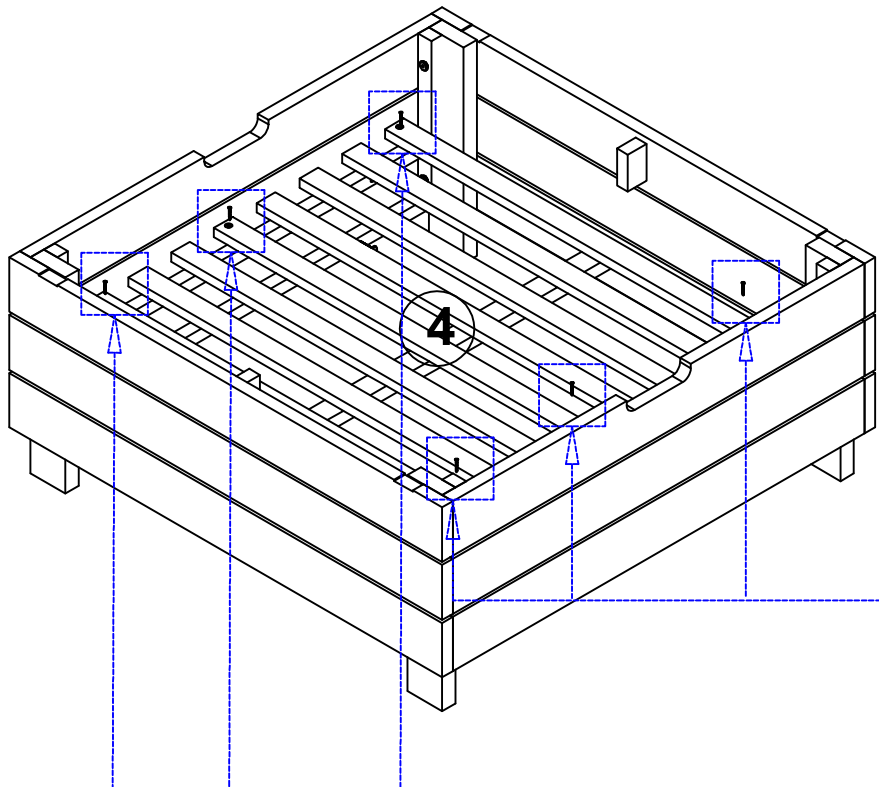
B  **01**



Step 04

F  **06**
4*25mm Screw

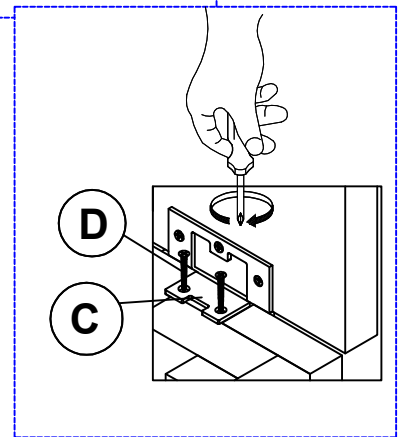
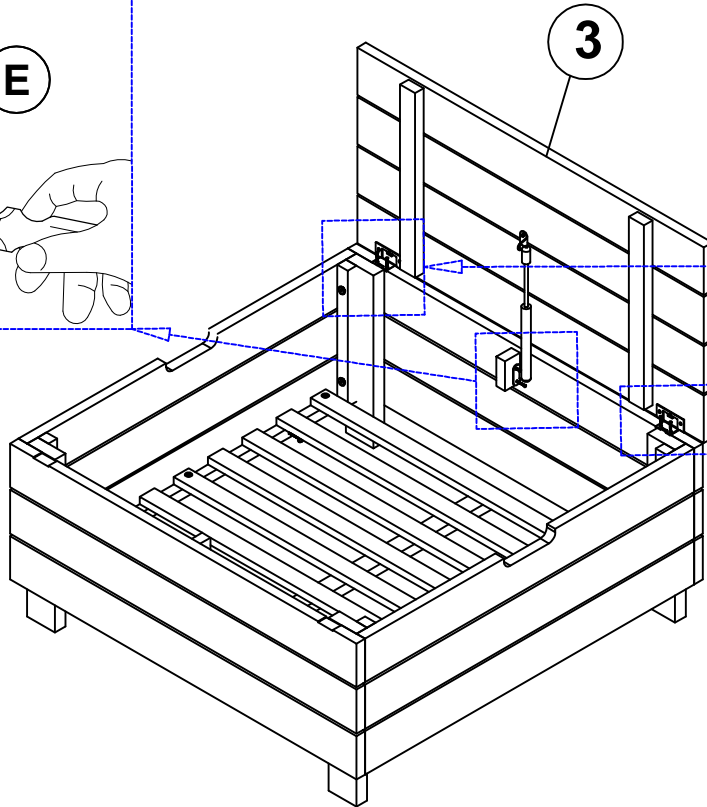
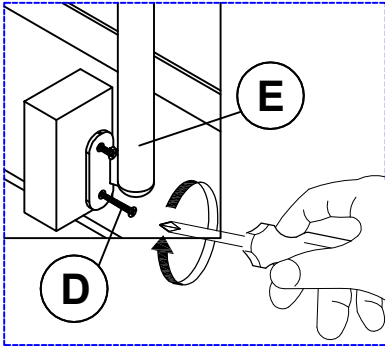
 **01**



Step 05

D 4*15mm Screw **06**

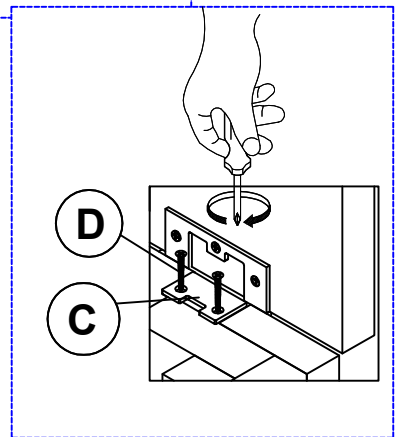
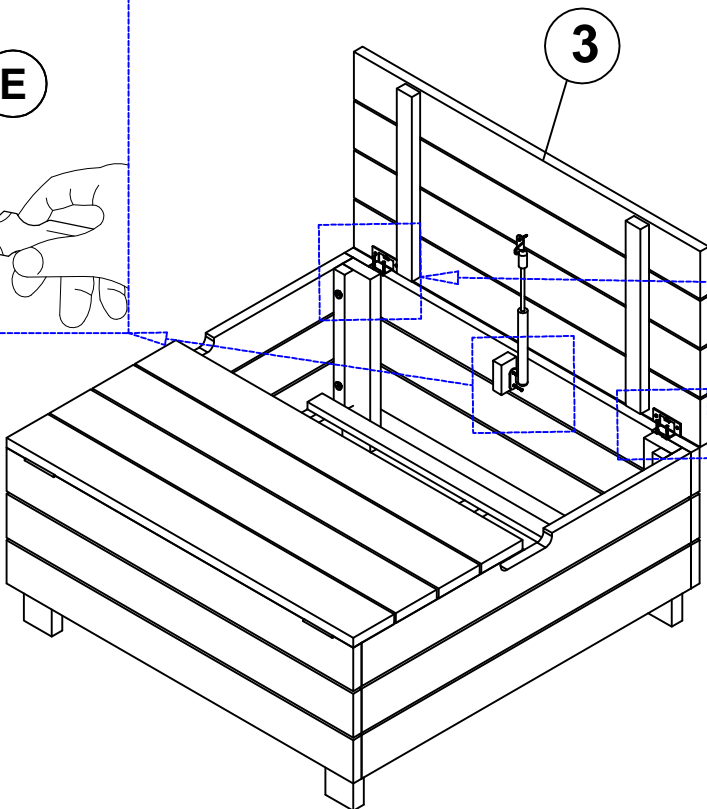
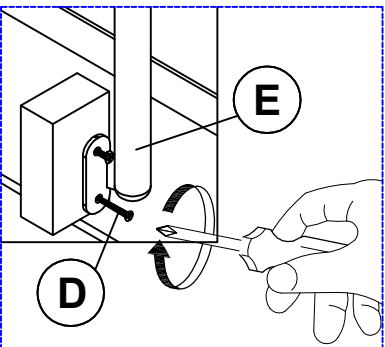
01



Step 06

D 4*15mm Screw **06**

01



Step 07

