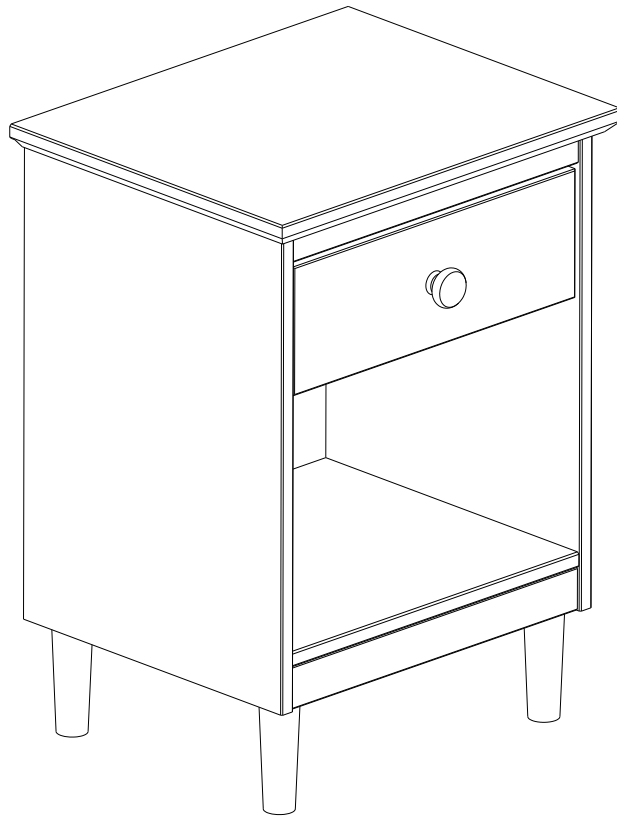


Assembly Instructions

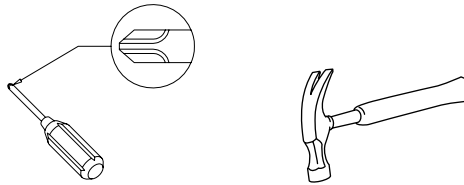


Please visit our website for the most current instructions, assembly tips, to report damage or request parts.

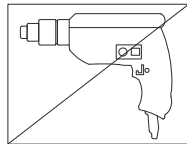
Revised 02/2024-V6

General Assembly Guidelines

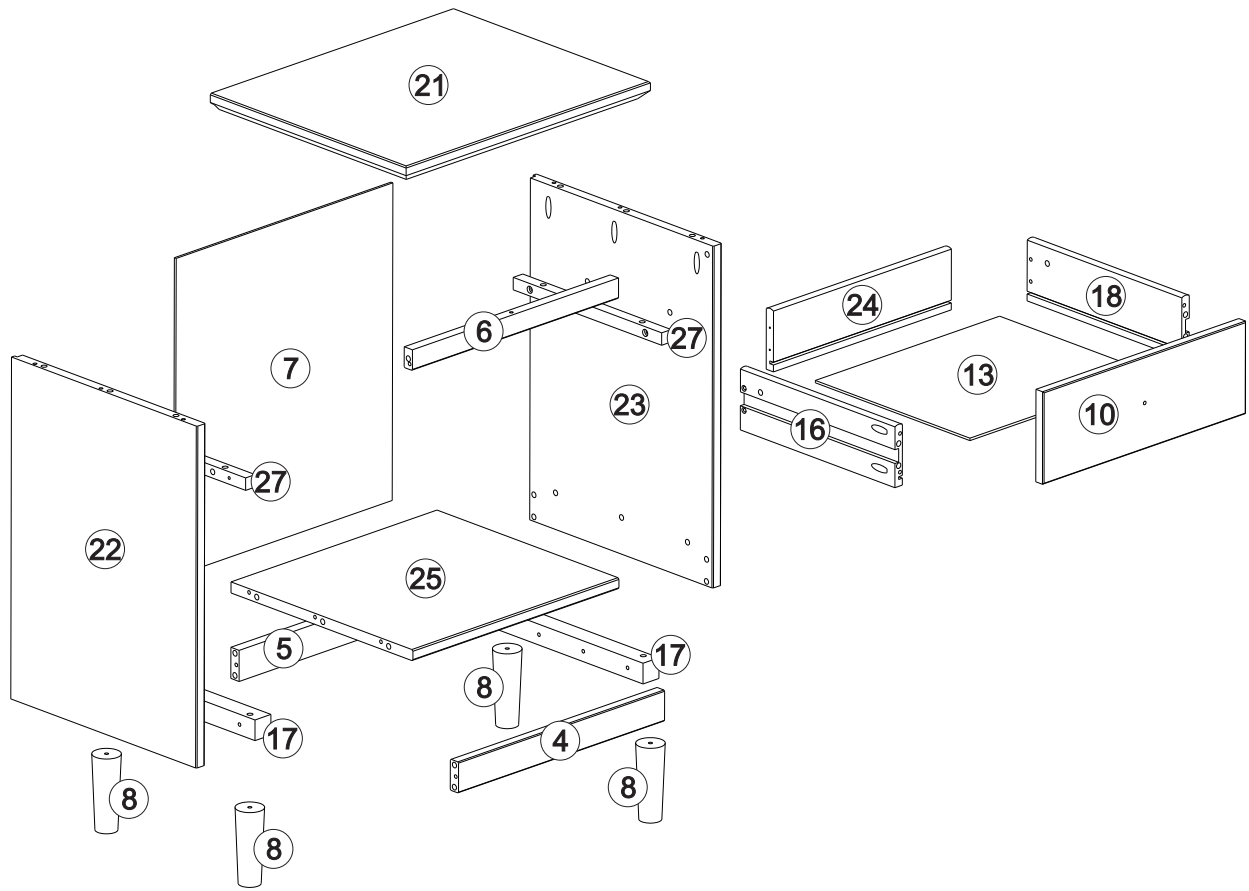
- I. Ensure that all parts and hardware are available before beginning assembly.
- II. Follow each step carefully to ensure the proper assembly of this product.
- III. Two people are recommended for ease in the assembly of this product.
- IV. The three main types of hardware used to assemble this product are wood dowels, screws and bolts.
- V. A Phillips head screwdriver and hammer is required for the assembly of this product.



- V I. Power tools should not be used to assemble this product.



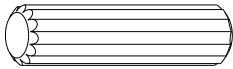
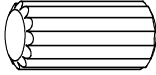


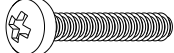

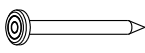


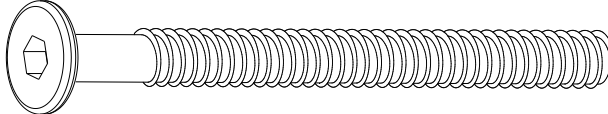

Parts List

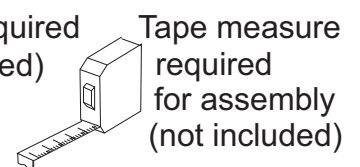
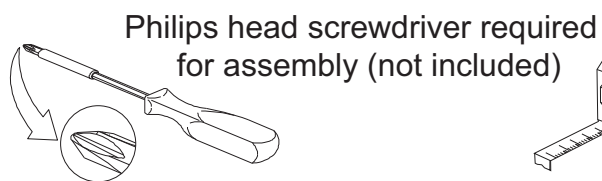
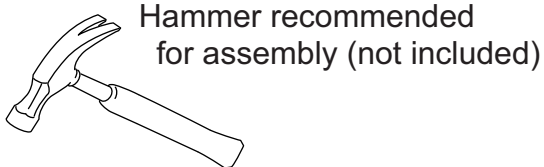


Part #	Description	Qty
4	Bottom front crossbeam	01 pc
5	Back crossbeam	01 pc
6	Upper front crossbeam	01 pc
7	Back panel	01 pc
8	Foot	04 pcs
10	Front drawer	01 pc
13	Drawer bottom	01 pc
16	Left side drawer	01 pc

Part #	Description	Qty
17	Foot crossbeam	02 pcs
18	Right drawer side	01 pc
21	Top panel	01 pc
22	Left side panel	01 pc
23	Right side panel	01 pc
24	Drawer back	01 pc
25	Bottom panel	01 pc
27	Drawer runner	02 pcs

Hardware List

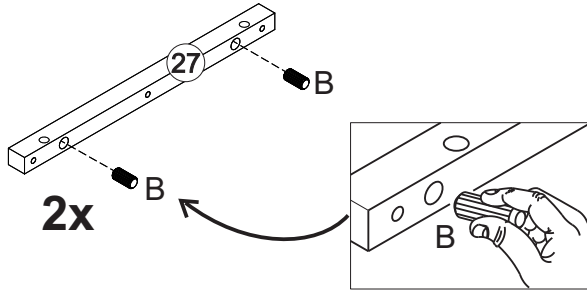
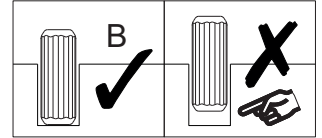
A		Ø8*30mm	Wooden dowel	30 pcs
B		Ø10*20mm	Wooden dowel	04 pcs
C		Ø4,0*25mm	Screw	06 pcs
D		Ø3,5*30mm	Screw	27 pcs
E		ØM4*22mm	Screw	01 pc
F		Ø4,5*45mm	Screw	08 pcs
G		Ø10*10mm	Nail	16 pcs
H			Knob	01 pc
I		Ø8*40mm	Wooden dowel	02 pcs
J		Ø7*80mm	Screw	04 pc
K		4mm	Hex Key	01 pc



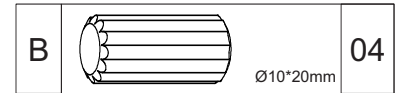
The hardware quantities listed above are required for proper assembly. Some extra hardware may also have been included.

Step 1

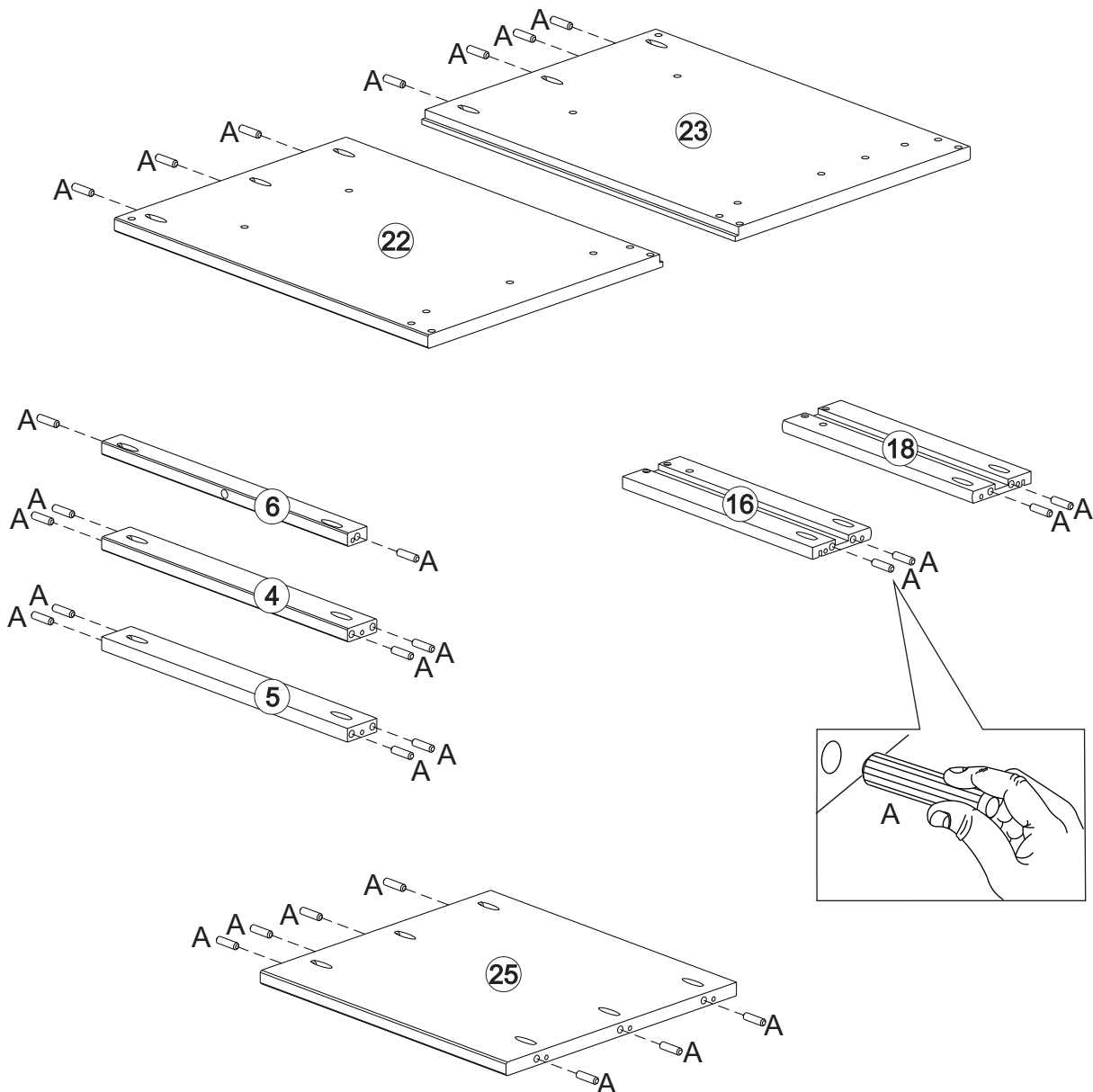
Attention to the
dowel length:
Ø10*20mm




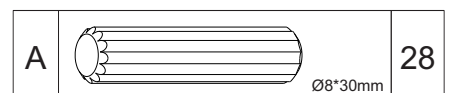
Insert wood dowel (B) into part 27.



Step 2




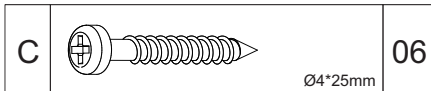
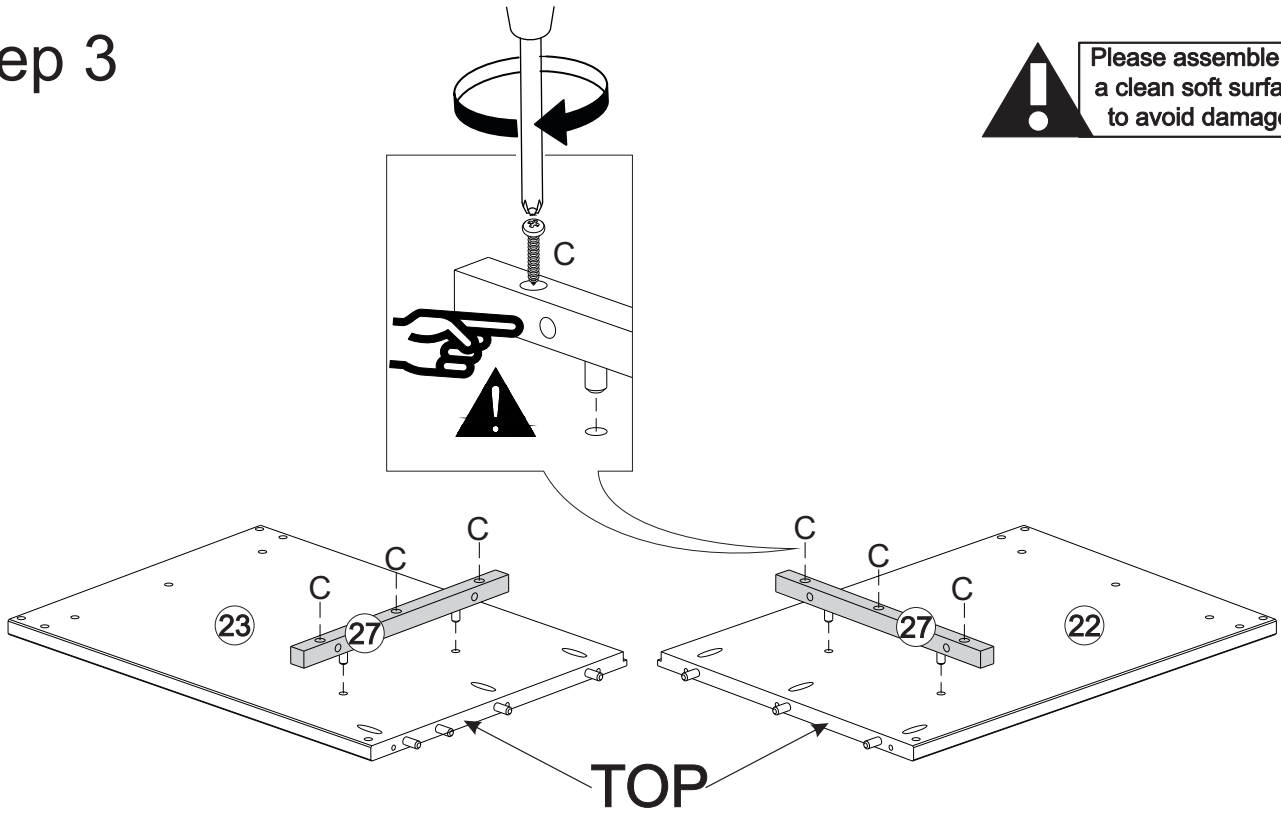
 Please assemble on
a clean soft surface
to avoid damage.



Insert Wooden dowel (A) into parts (4), (5), (6), (16), (18), (22), (23) and (25).

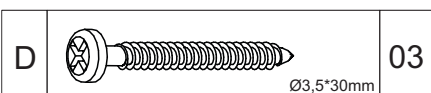
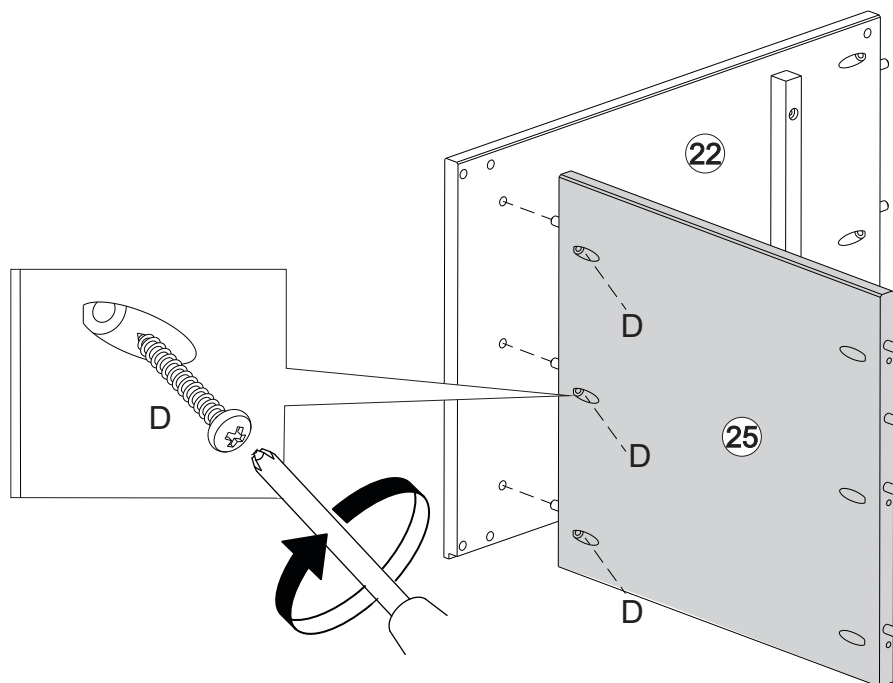
Step 3

 Please assemble on a clean soft surface to avoid damage.



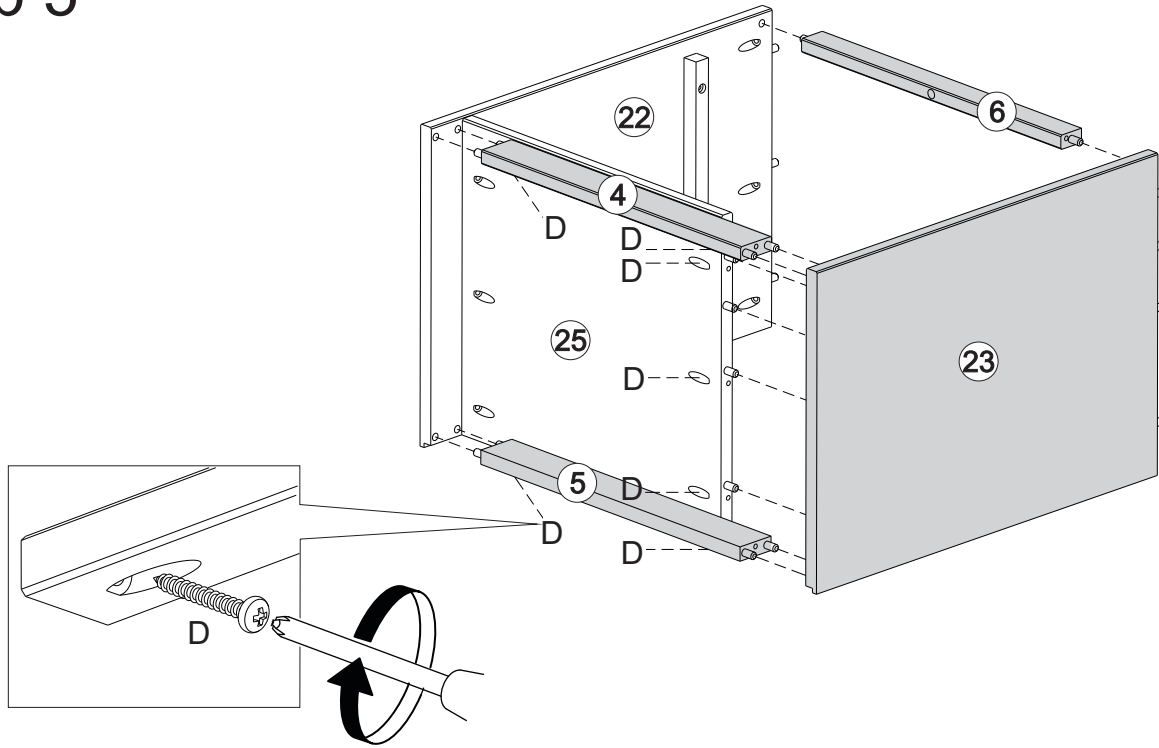
Use the screw (C) to attach the parts (27) to the parts (22) and (23) and Phillips head screwdriver.

Step 4

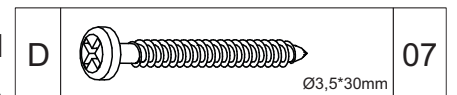


Secure part (25) to part (22) with screw (D) and Phillips head screwdriver.

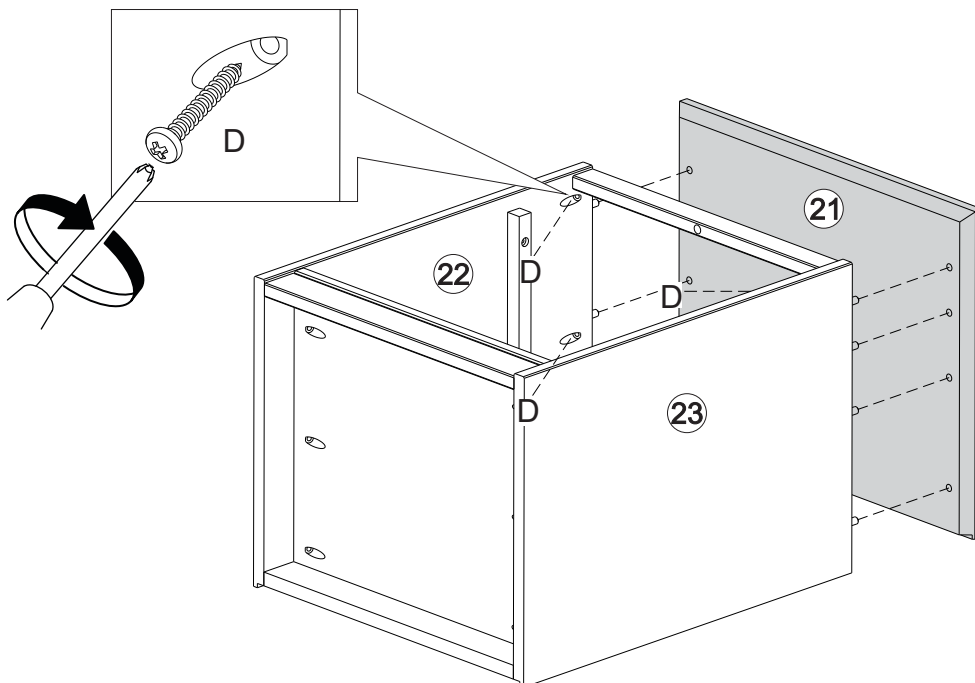
Step 5



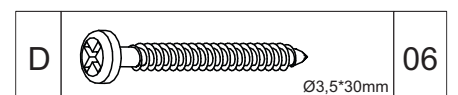
Secure parts (4), (5), (6) and (23) to parts (25) and (22) with screw (D) and Phillips head screwdriver.



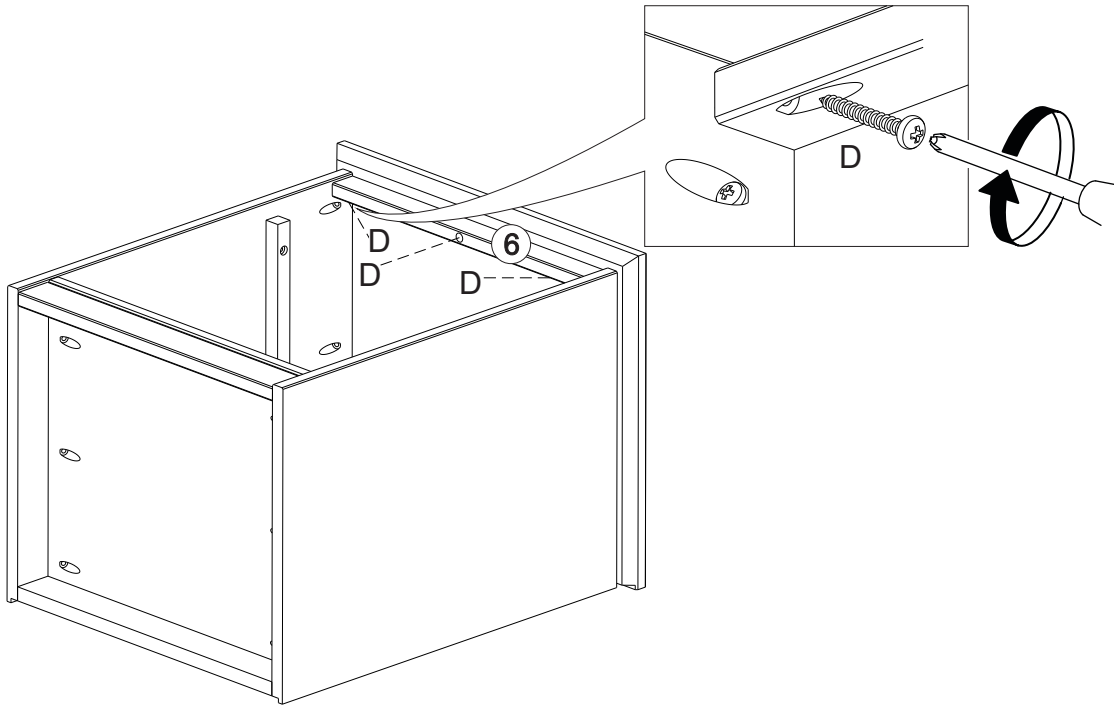
Step 6



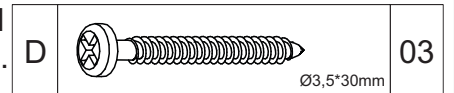
Secure parts (21) to part (22) and (23) with screw (D) and Phillips head screwdriver.



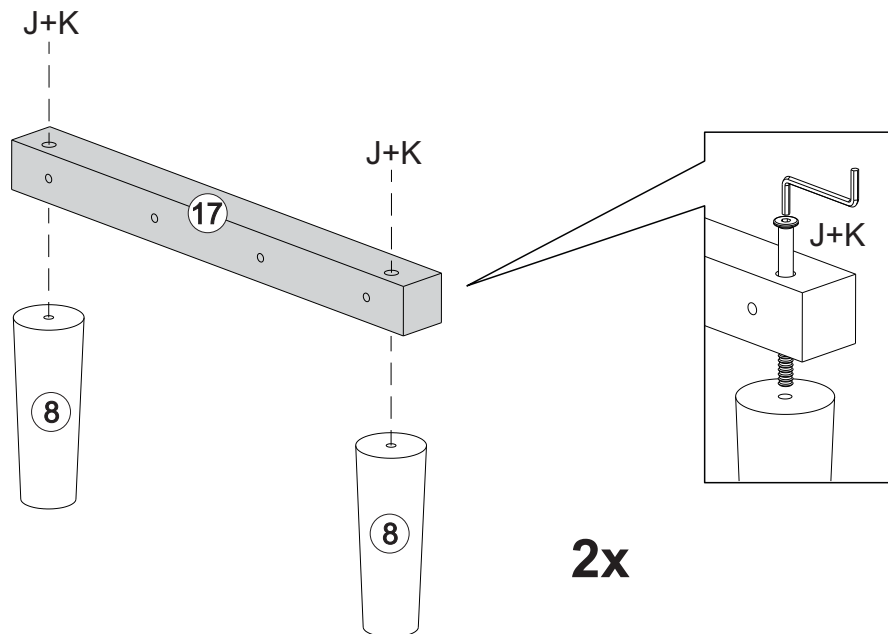
Step 7



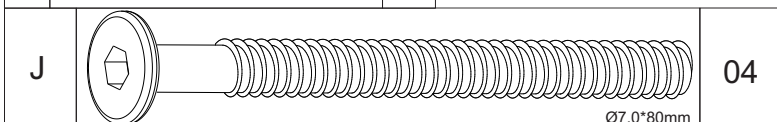
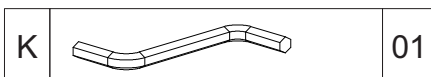
Use screw (D) and Phillips head screwdriver to attach part (6) to body.



Step 8

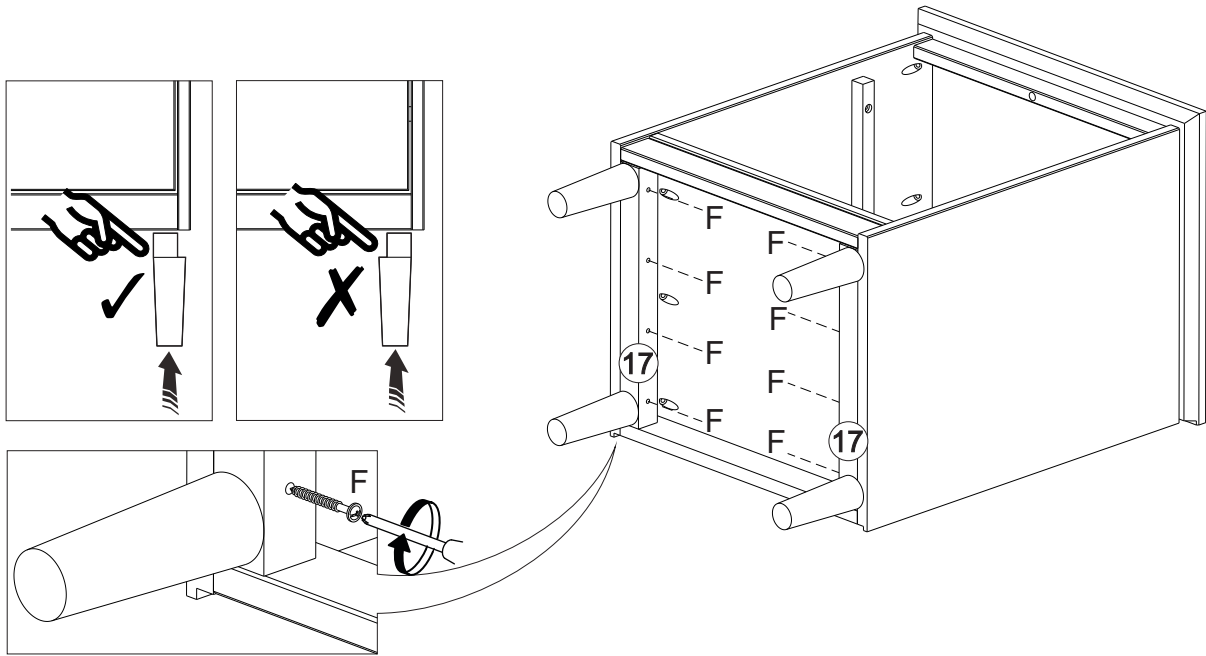


2x

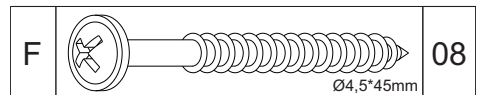


Secure part (17) to parts (8) with screw (J) and hex key (K).

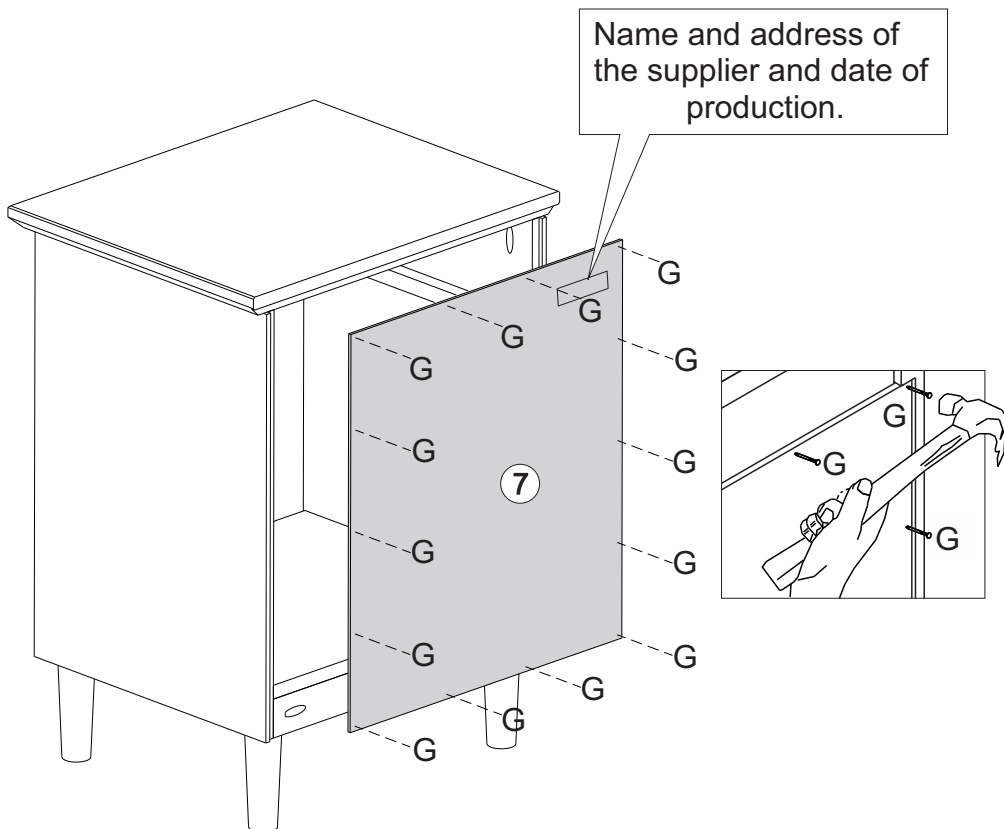
Step 9



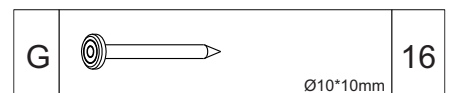
Use screw (F) and Phillips screwdriver to secure part (17) to the body.



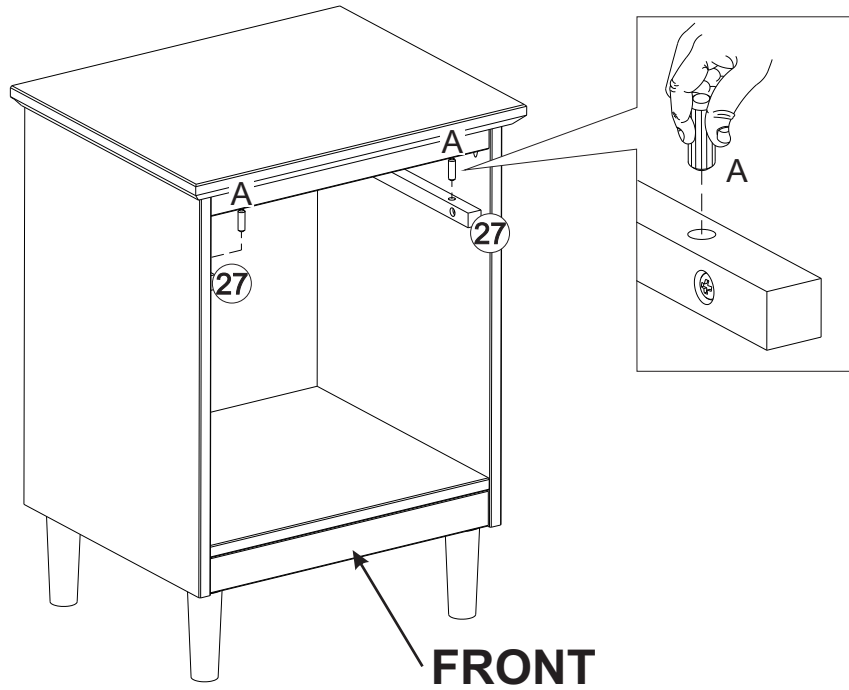
Step 10



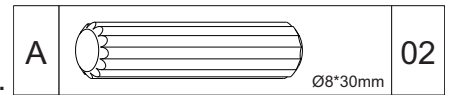
Secure back panel (7) to body with nails (G).



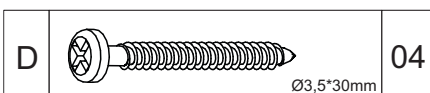
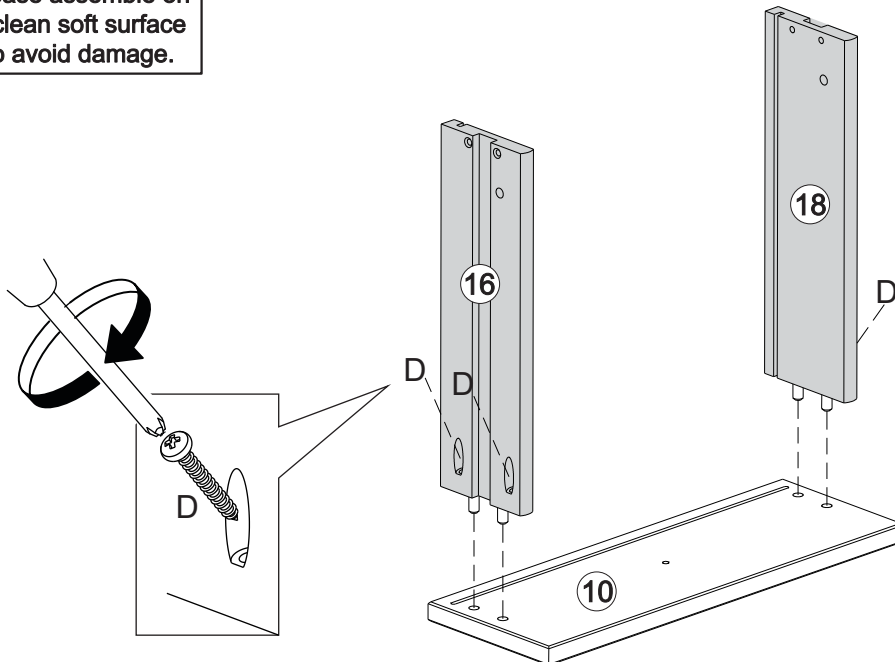
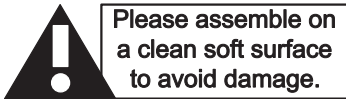
Step 11



Insert Wooden dowel (A) into part (27).




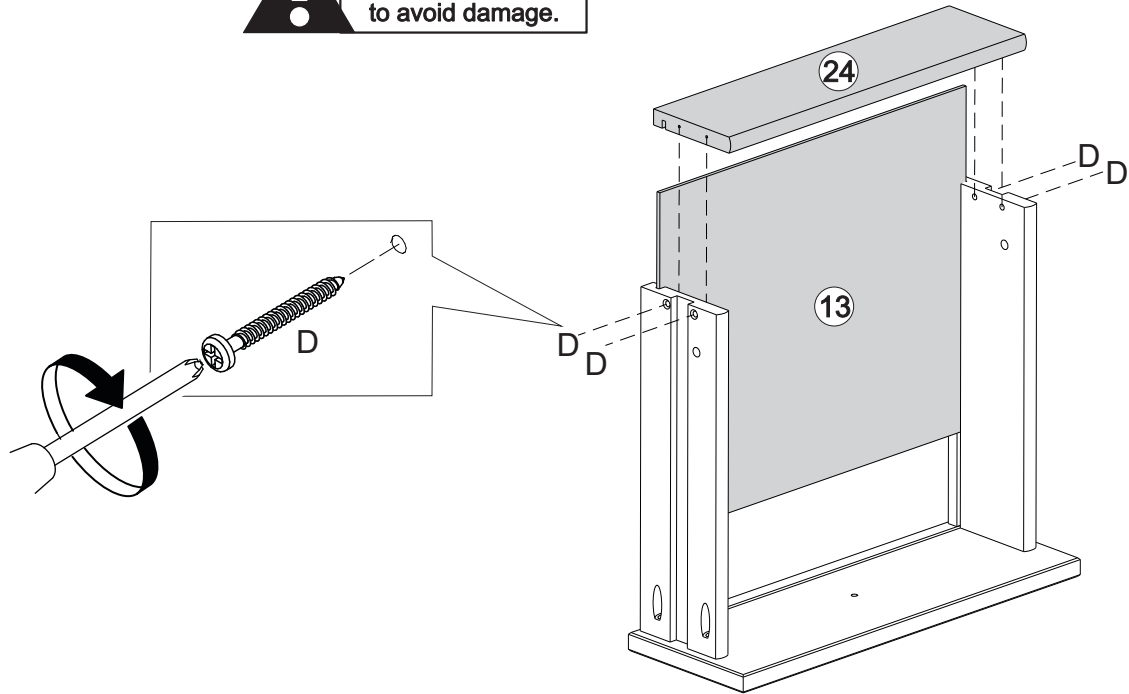
Step 12




Secure part (16) and (18) to part (10) with screw (D) and Phillips head screwdriver.

Step 13

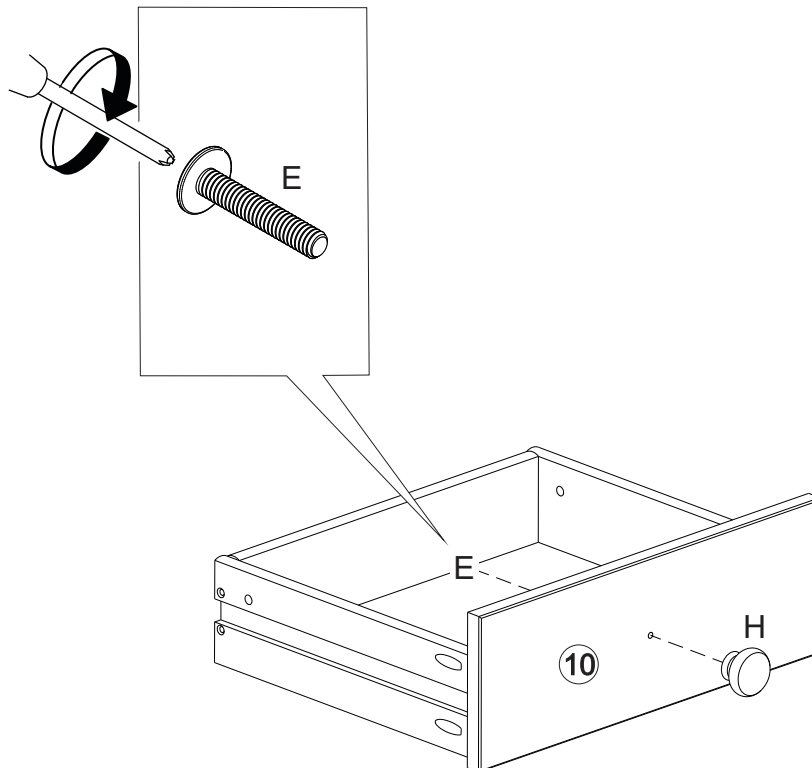
 Please assemble on a clean soft surface to avoid damage.





Insert part (13) between parts (16) and (18).
Attach part (24) to parts (16) and (18) with screws (B), and Phillips head screwdriver.

D		04
---	--	----

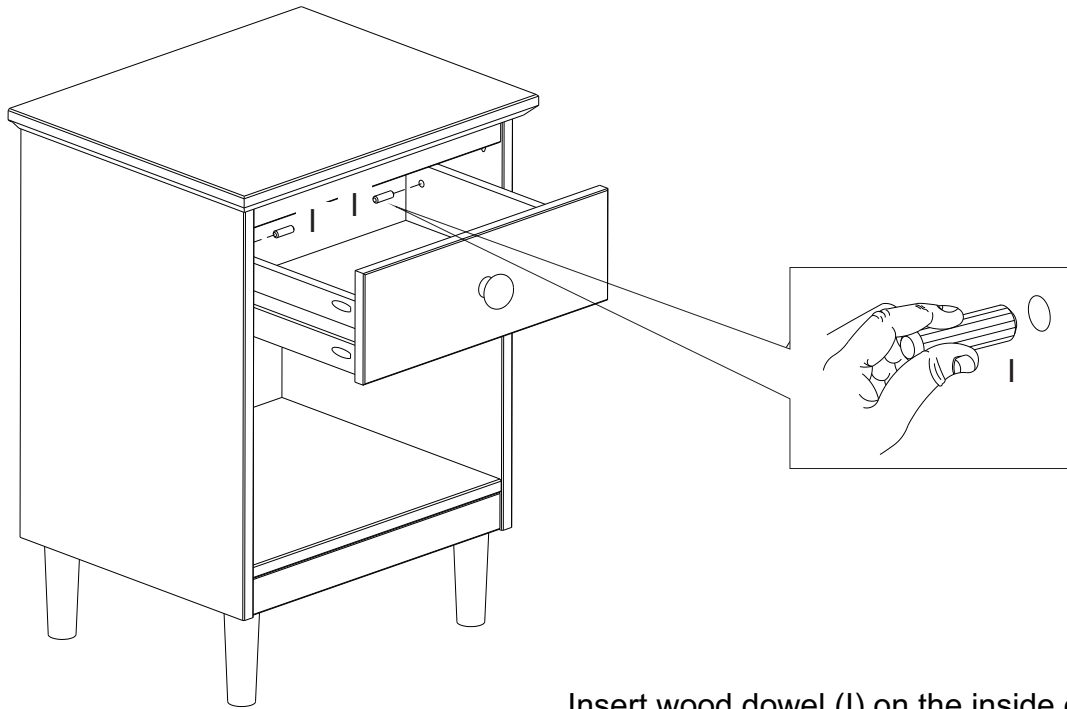
Step 14



E		1
H		1

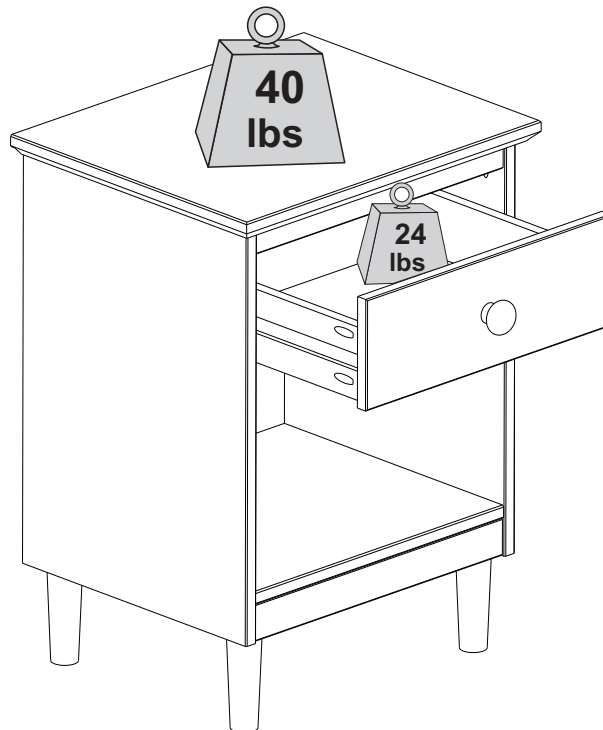
Attach the handle (H) to part (10) with screw (E) and Phillips screwdriver.

Step 15



Insert wood dowel (I) on the inside of all drawers, with the drawer inside the unit after having passed the wood dowel that is in the drawer slide. The dowel is not flush with the panel, it is a little inside the drawer to help when you need to remove the lock dowel to remove the drawer.

Step 16



Assembly Complete!