

# Assembly Instructions

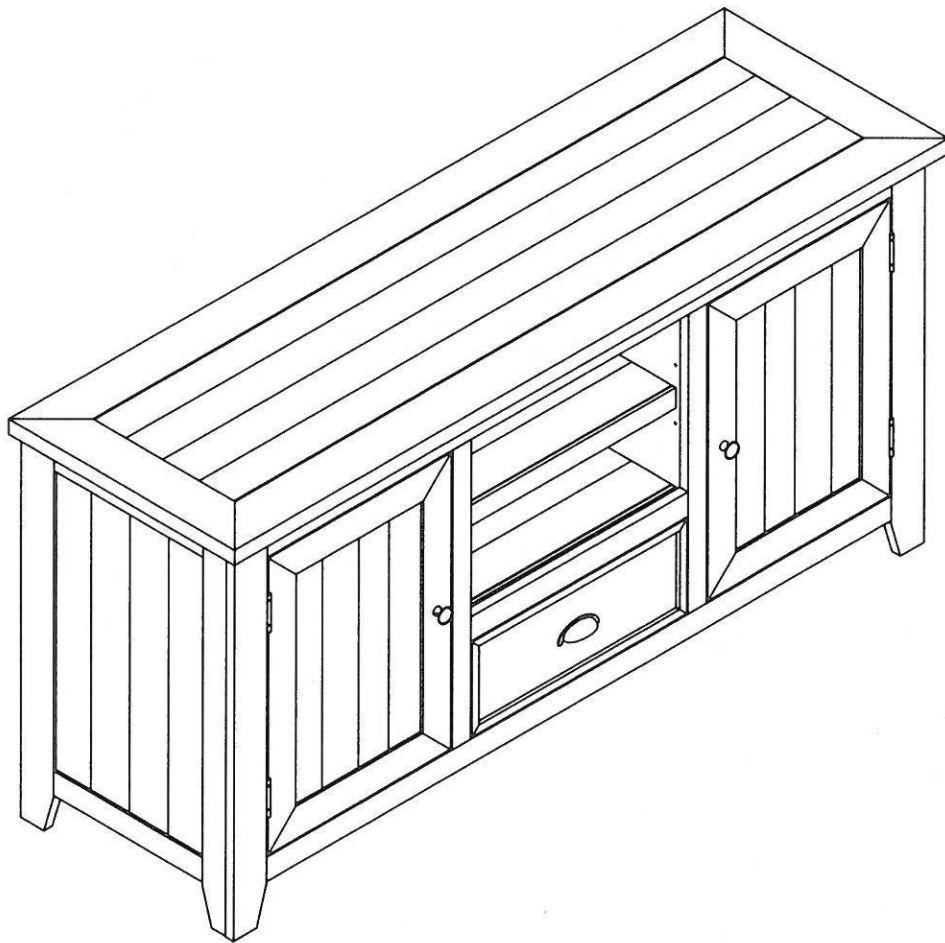
White Stain

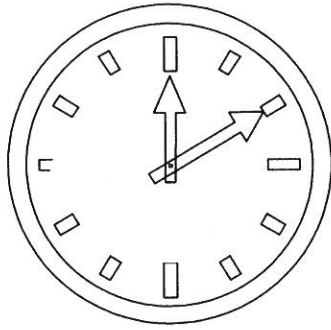
Natural

White Stain / Grey Top

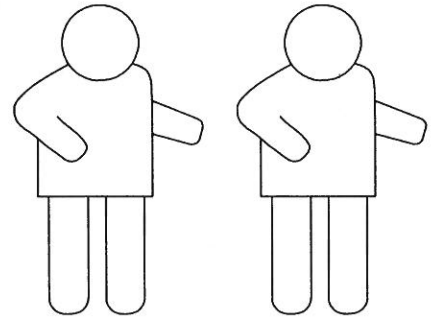
**Product Issues? Please Call Us Before Contacting Your Retailer**

**We can help with Assembly Issues, Part Requests, Damages, & All Other  
Product Related Questions**

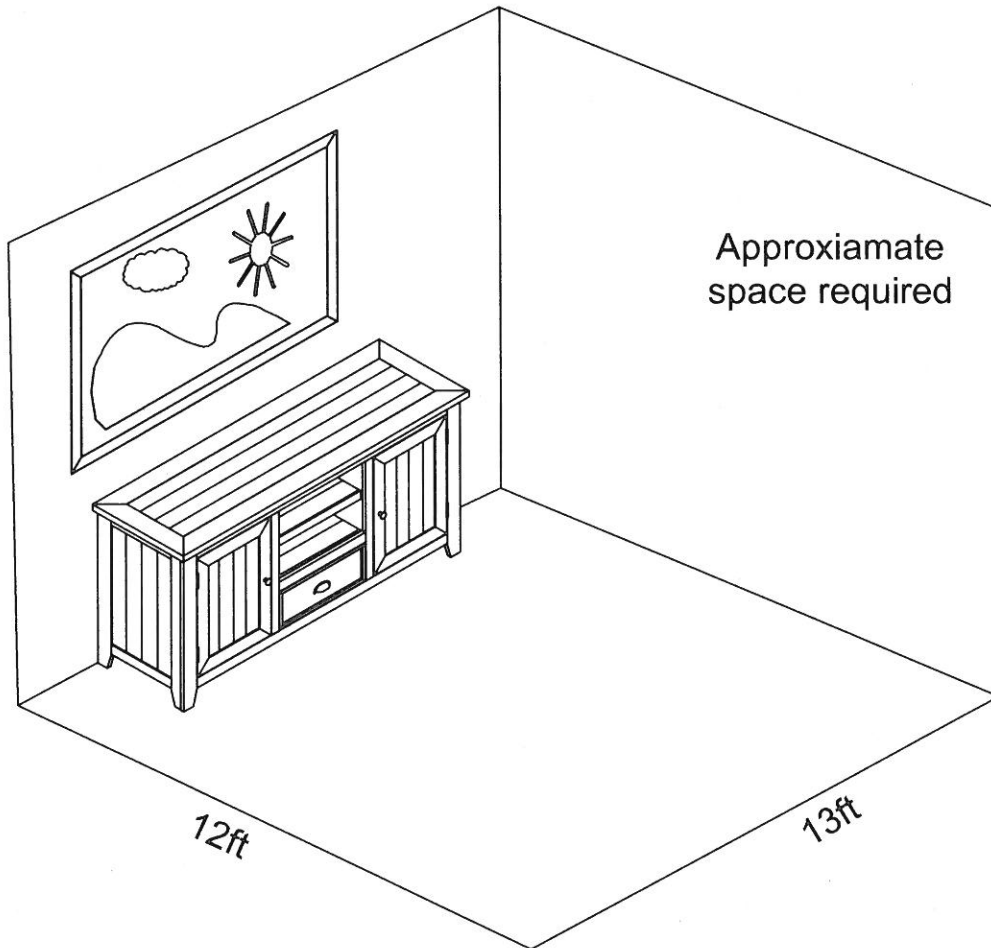




10 min



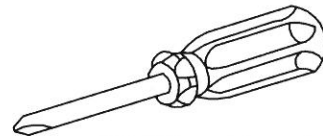
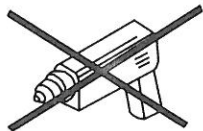
Two People Required



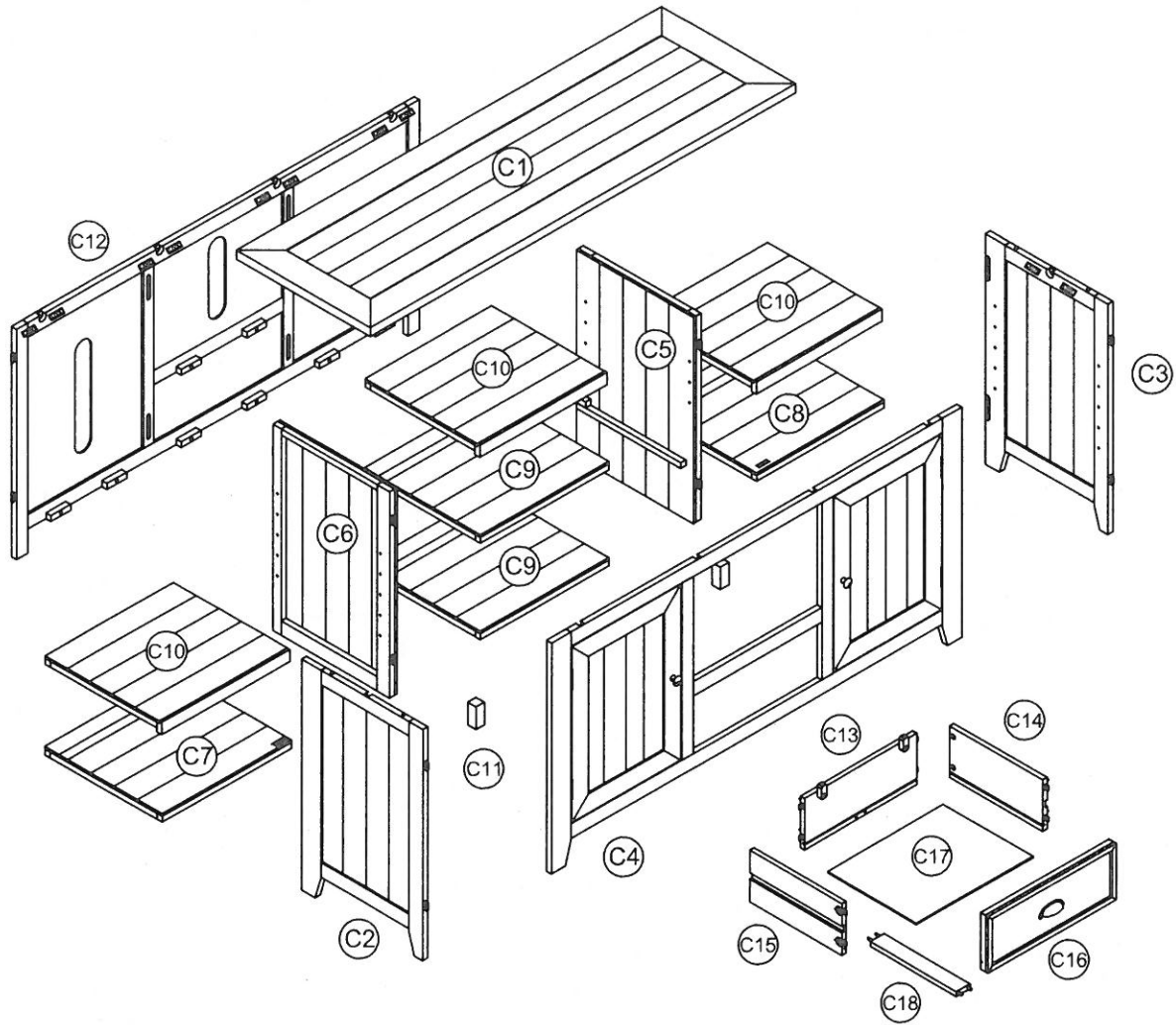
Approximate  
space required




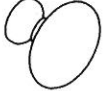

12ft

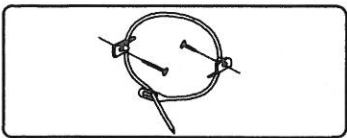
13ft



Phillips Head

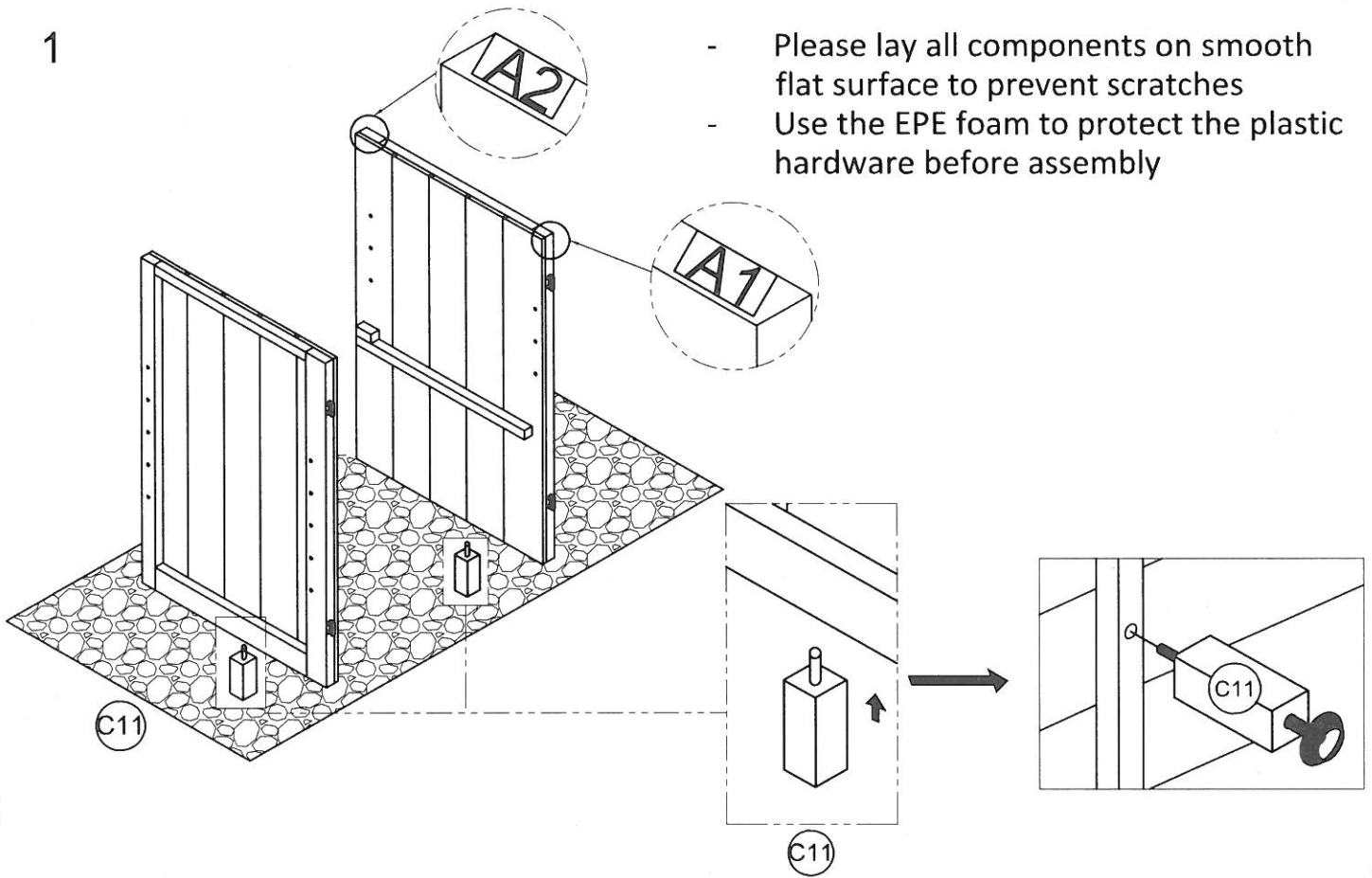


<p>A</p>  <p>Ø8x20 (mm) 4pcs</p>	<p>B</p>  <p>12pcs</p>	<p>C</p>  <p>Ø3.5x15 (mm) 12pcs</p>	<p>D</p>  <p>2 pcs</p>	<p>E</p>  <p>Ø4x25 (mm) 2pcs</p>
---	---	--	--	---



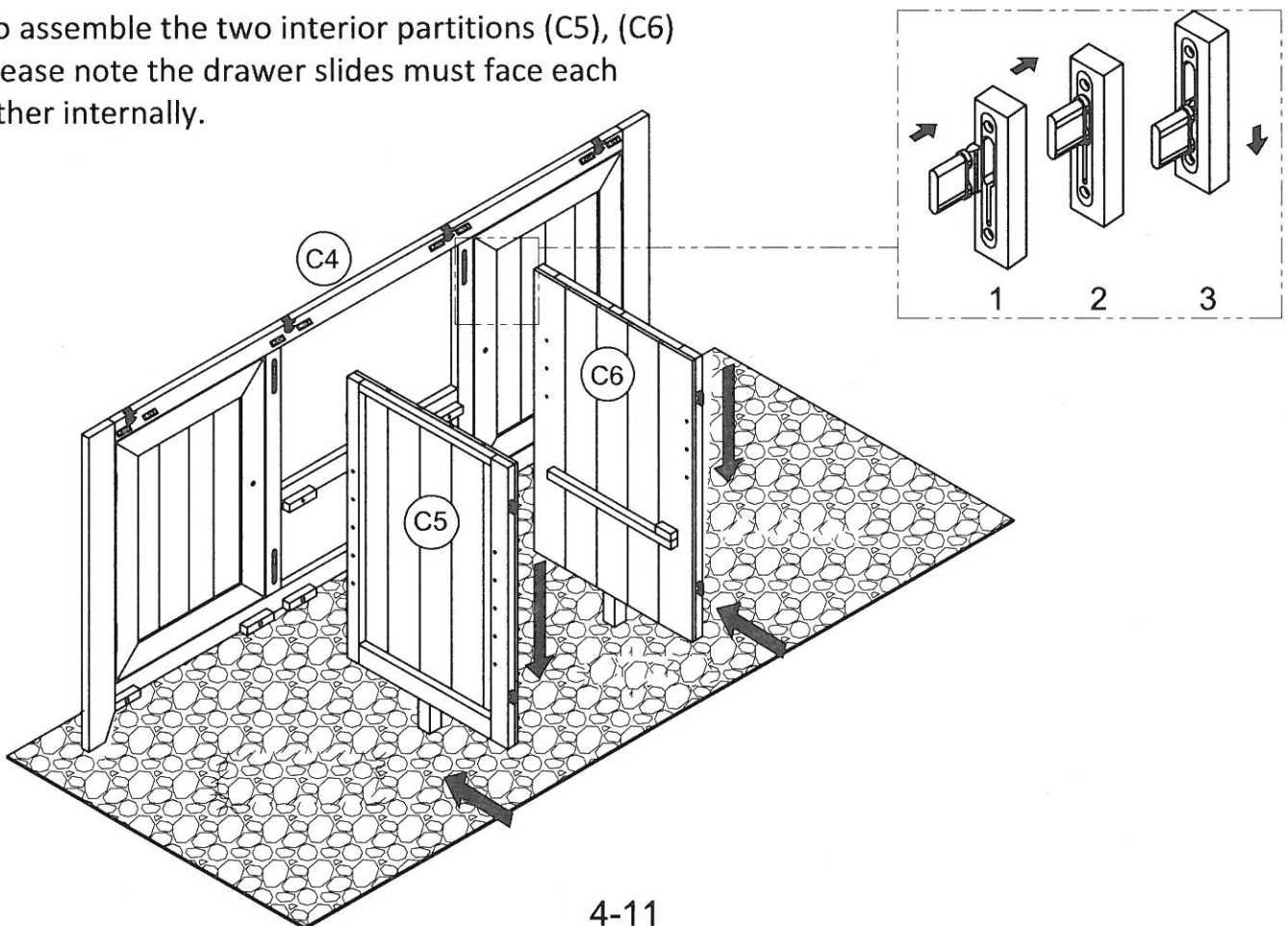
**ANTI-TIP SET**

1

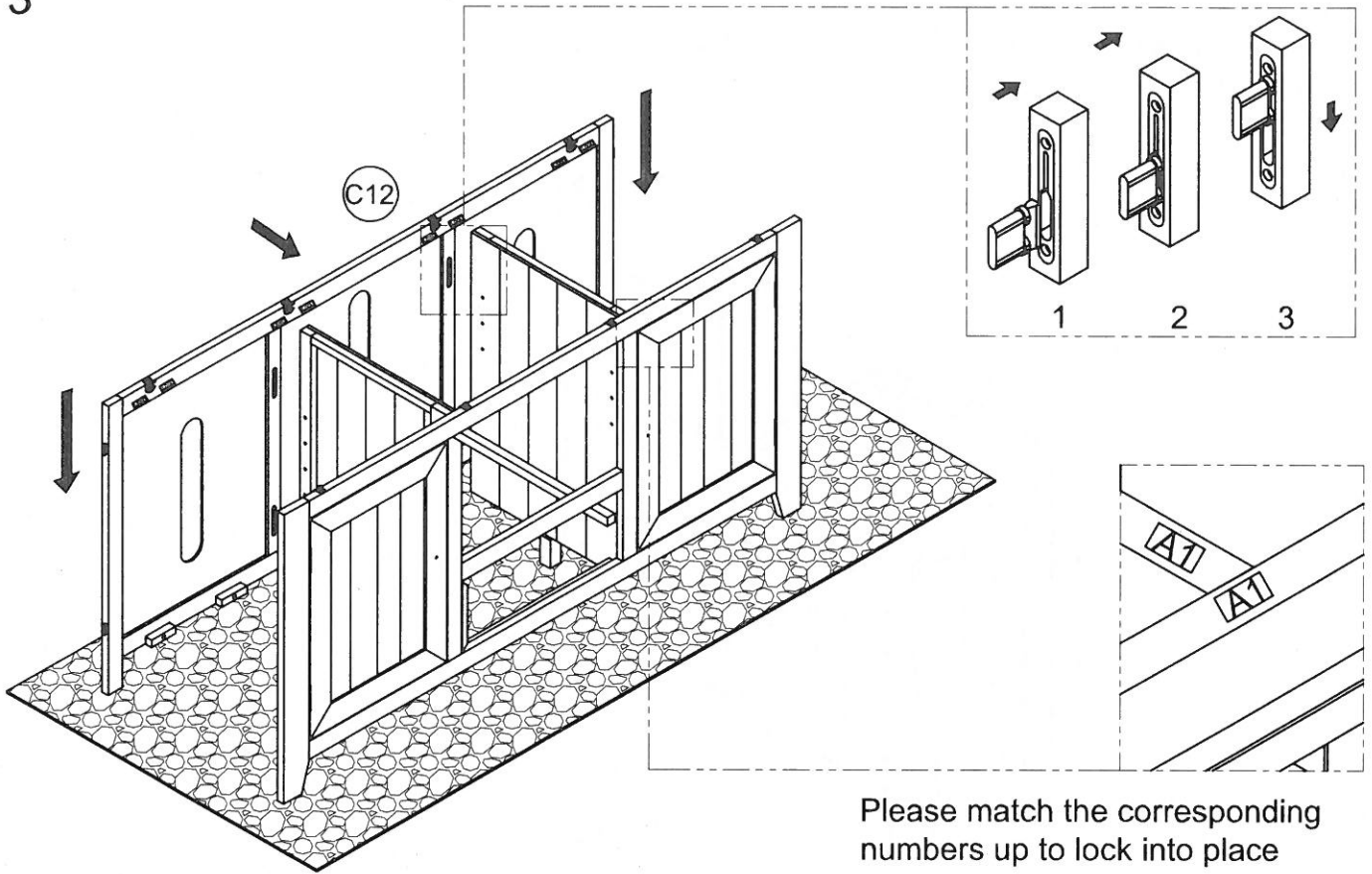


2

To assemble the two interior partitions (C5), (C6) please note the drawer slides must face each other internally.

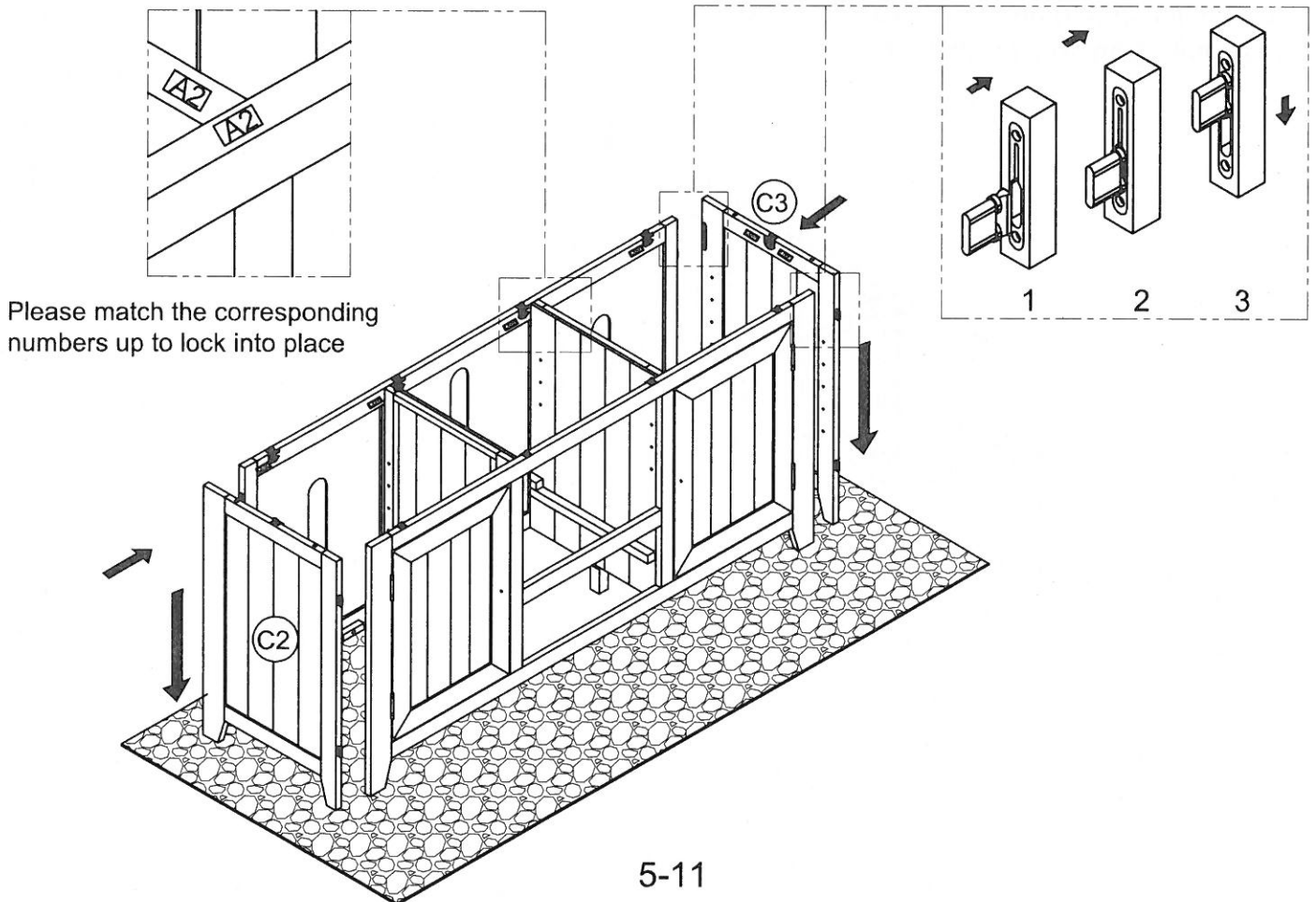


3



Please match the corresponding numbers up to lock into place

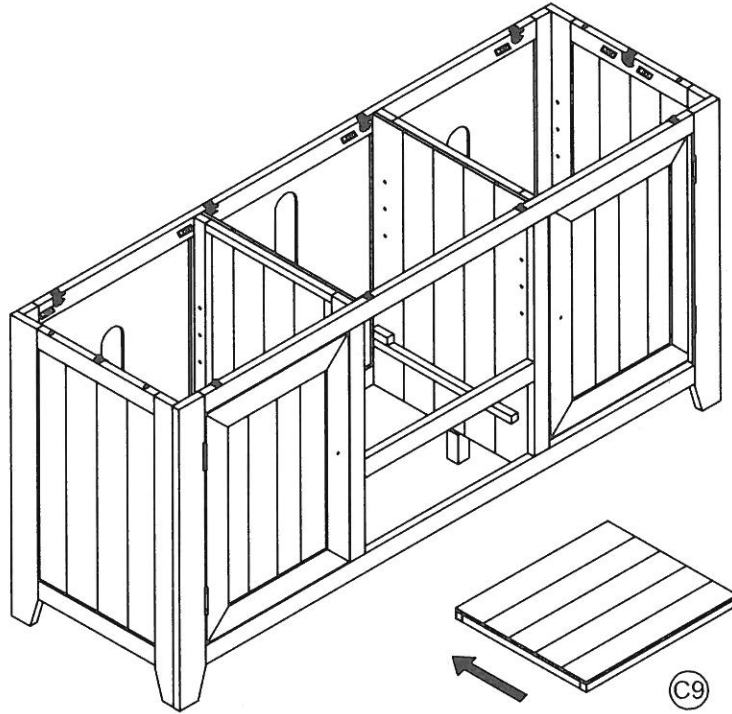
4



Please match the corresponding numbers up to lock into place

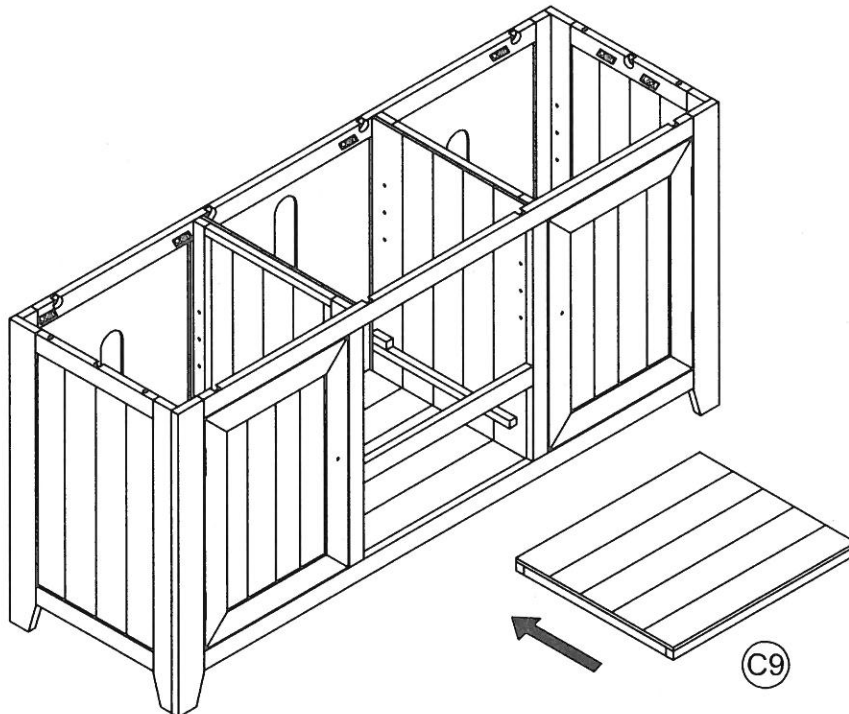
5

Place one panel (C9) into bottom of stand and lay flush on cleats



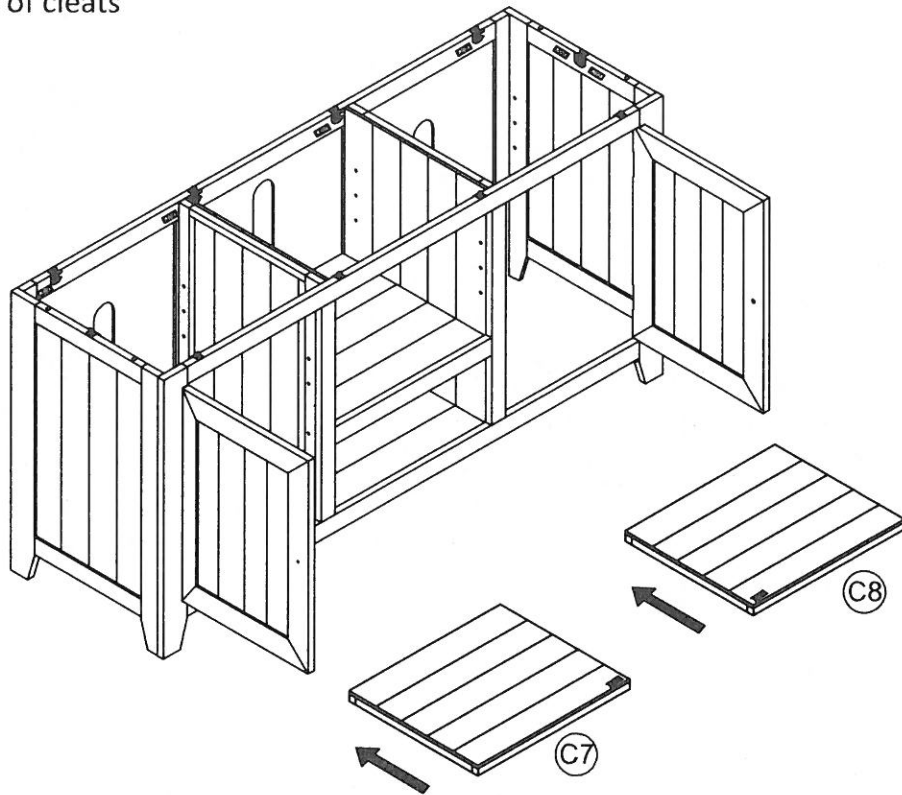
6

Place one panel (C9) on top of cleats above drawer slides creating an area for drawer

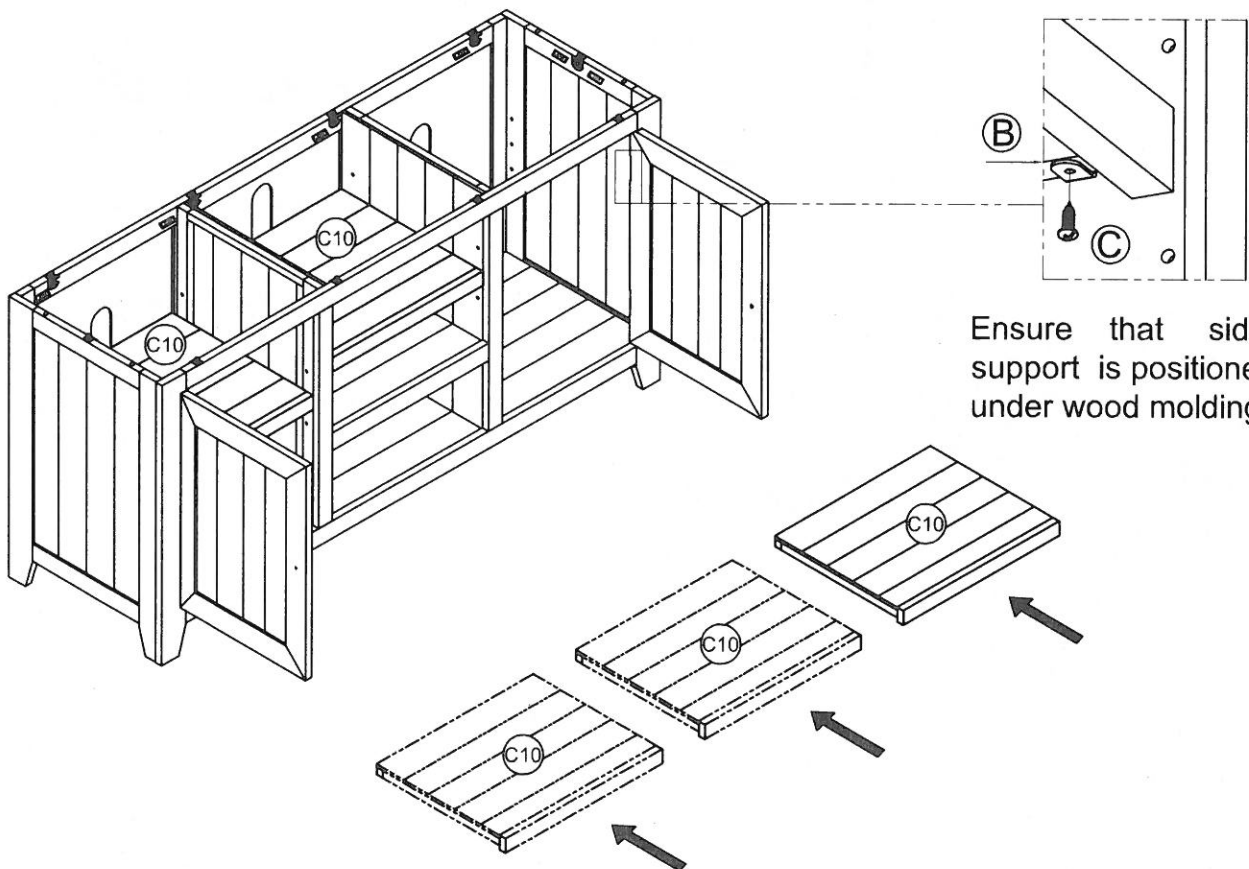
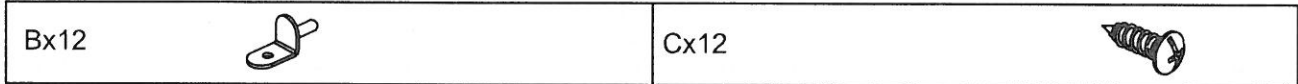


7

Place (C7) and (C8) panels into correct position by laying flush on top of cleats



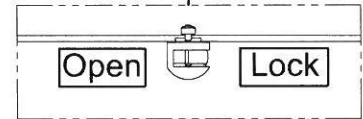
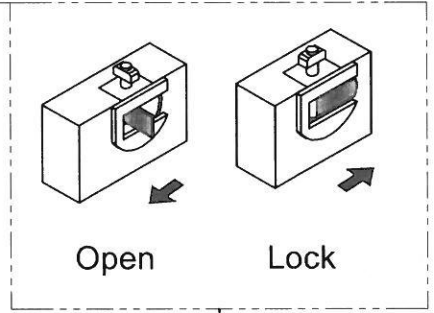
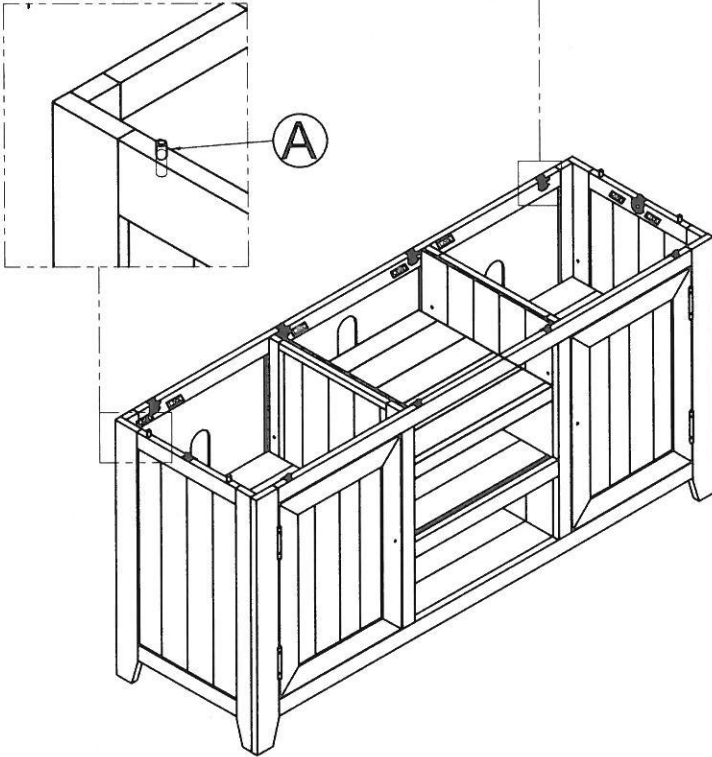
8



Ensure that side rail support is positioned under wood molding

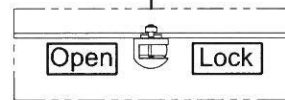
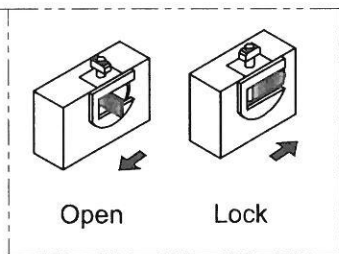
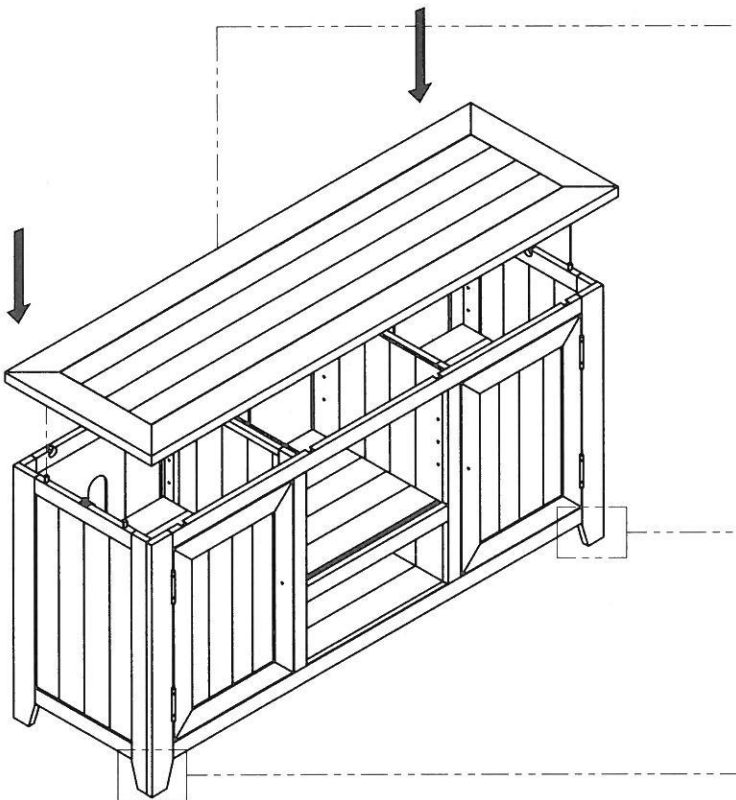
9

Ax4

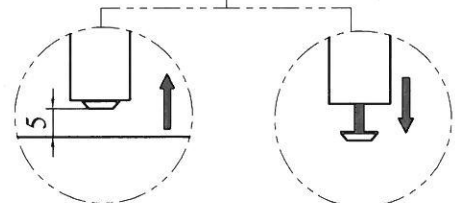


Make sure all latches are in the open position before installing Top Panel (C1)

10



Make sure all 10 latches are in the locked position



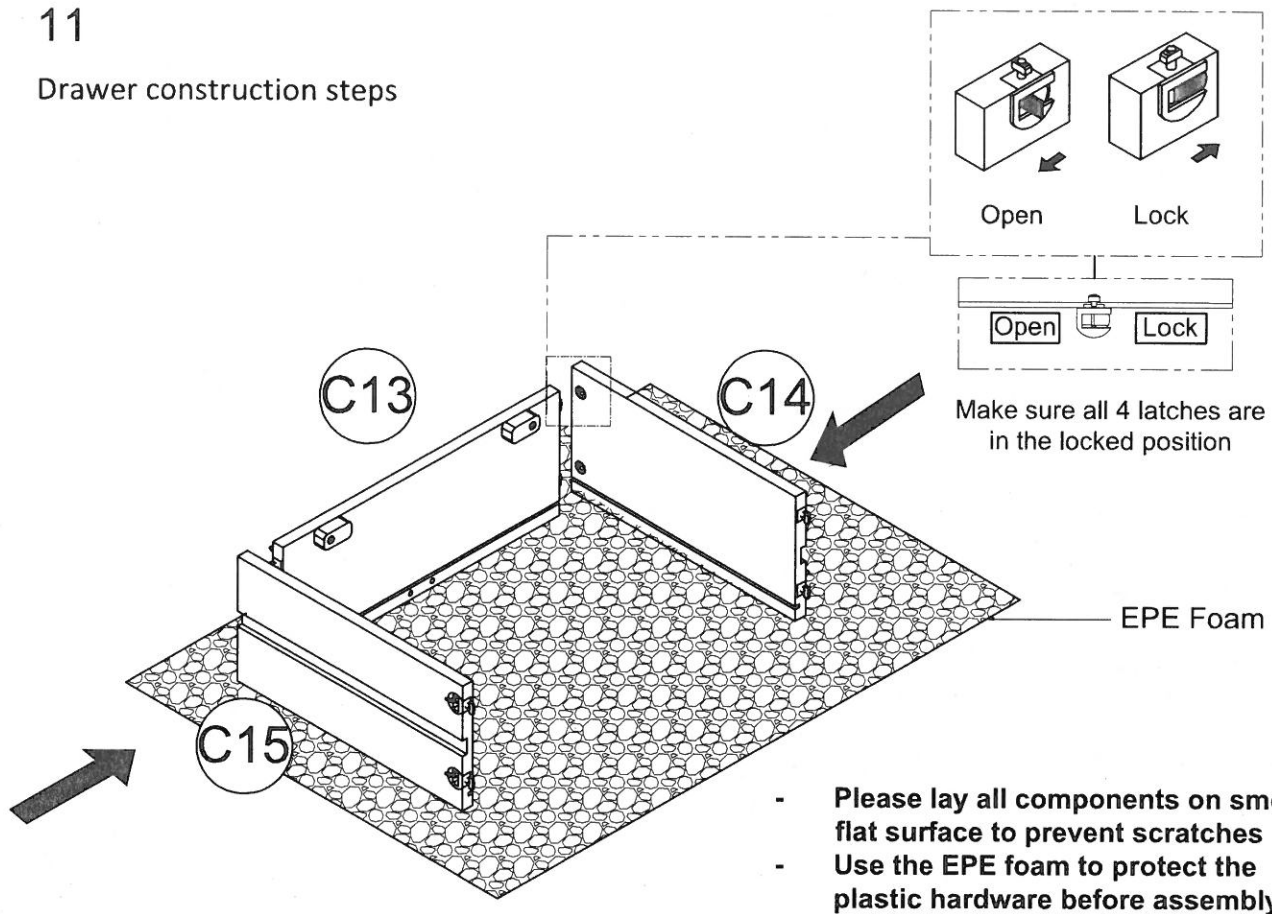
8-11

Adjustable Leveler Instructions



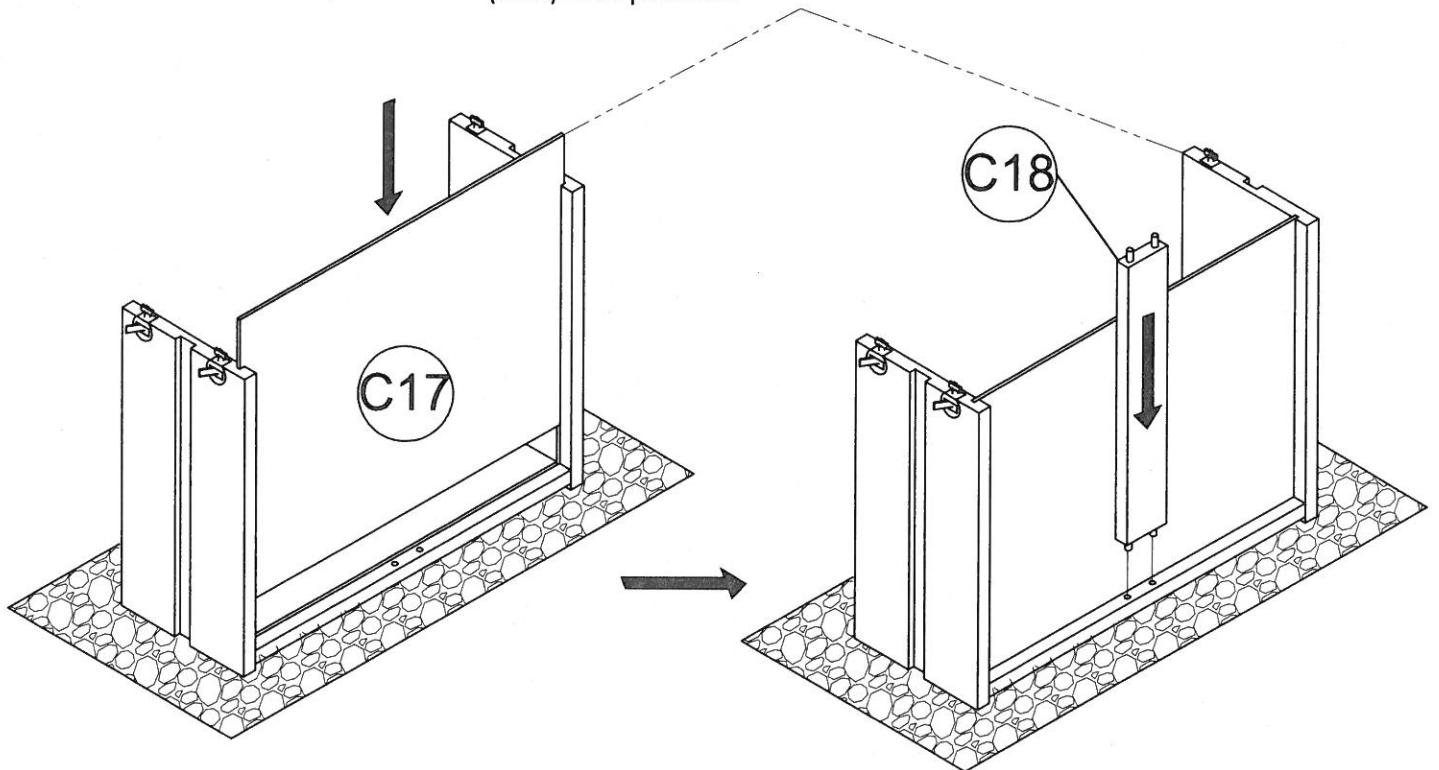
11

Drawer construction steps

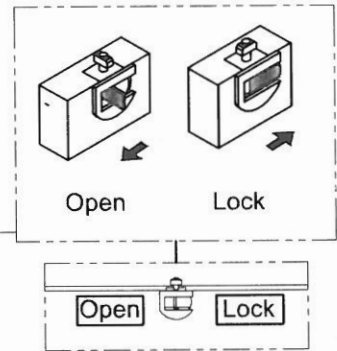


12

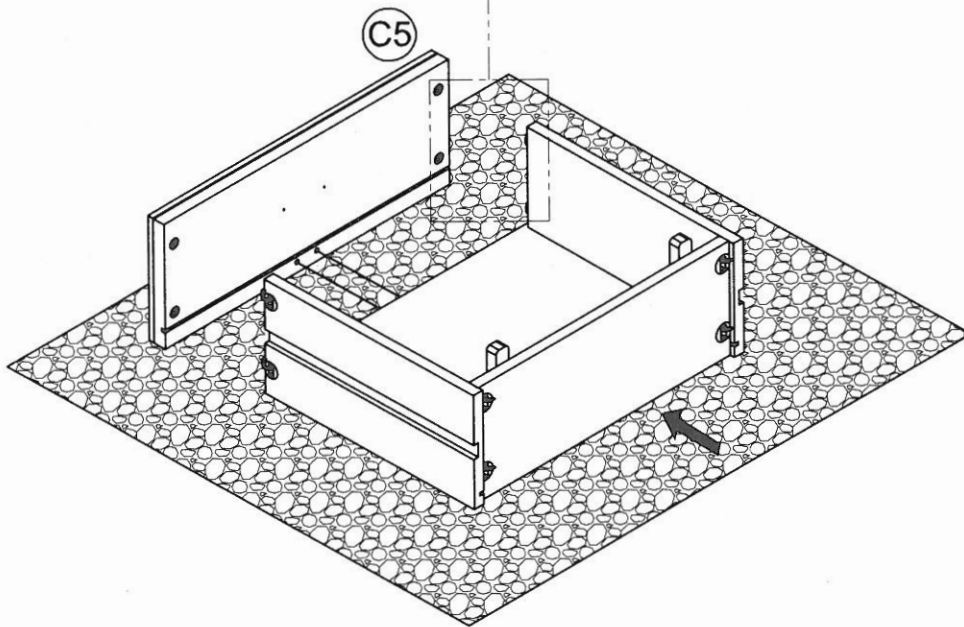
Slide (C17) drawer bottom into slot, then attach (C18) into position



13

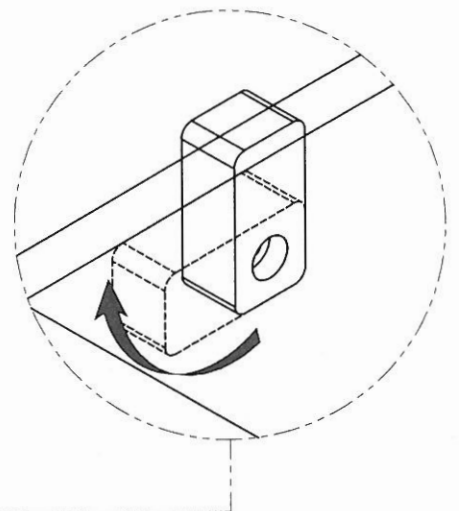
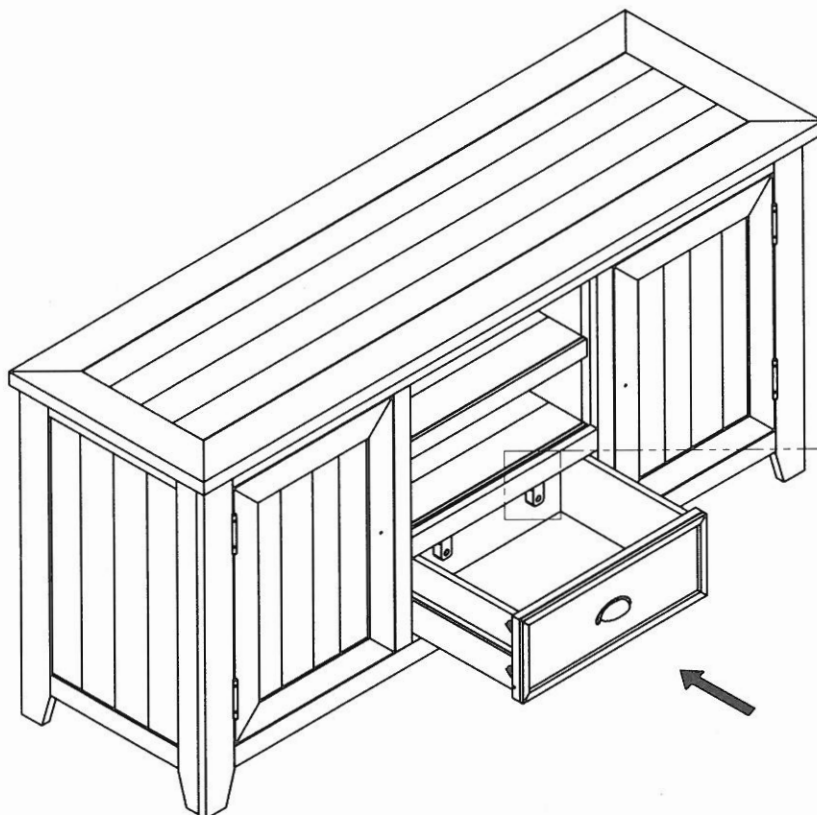


Make sure all 4 latches are in the locked position



14

Flip latches up in order to secure drawer from sliding out



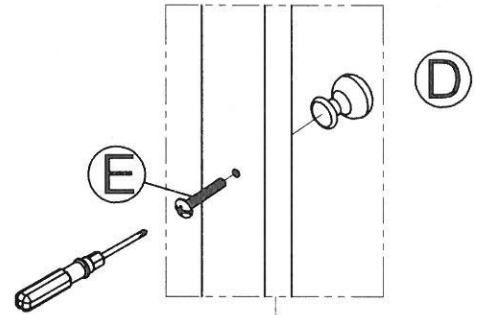
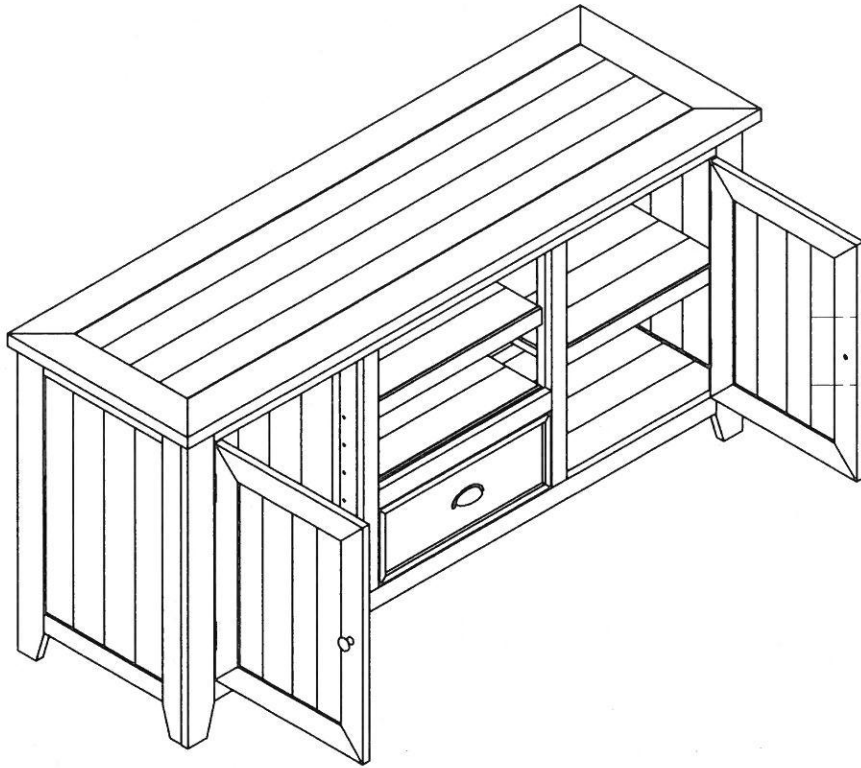
10-11

15

DX2



EX2



16

