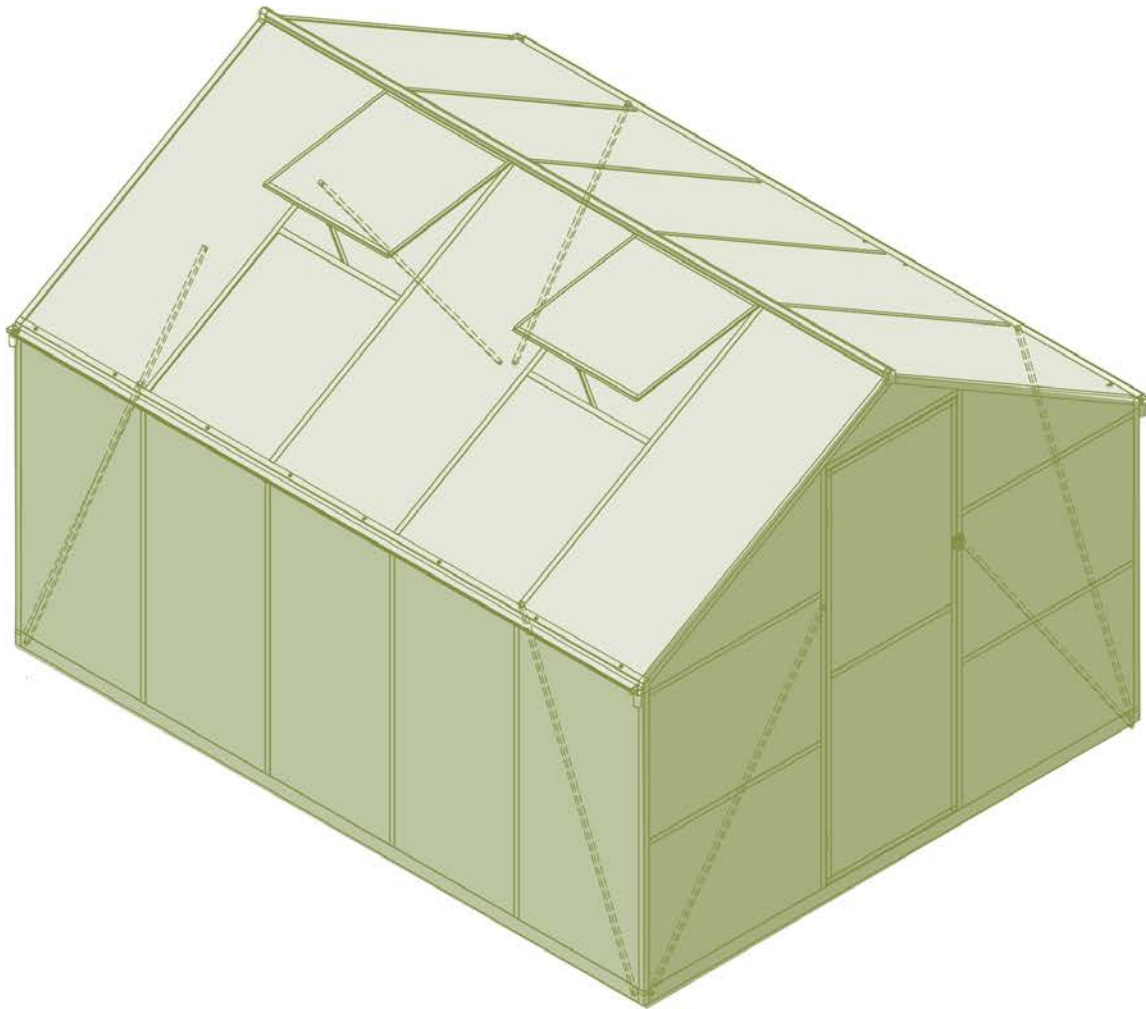


Aluminum Greenhouse 8x10FT

ASSEMBLY INSTRUCTIONS



Please read all instructions carefully before assembly. It is best to familiarize yourself with the parts and collate the appropriate parts for each step.

If you encounter any problems during the assembly process, contact us anytime!



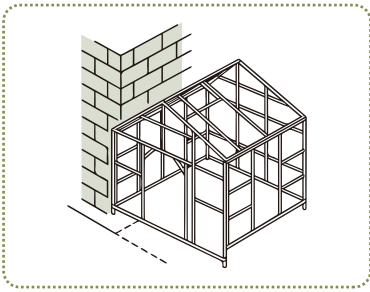
support@sylviera.com

213-796-9388

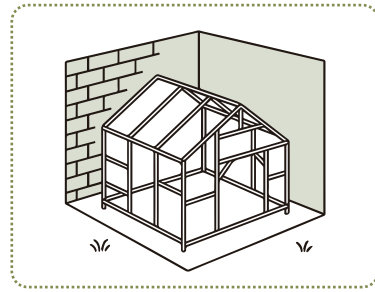


Where to Put Your Outdoor House

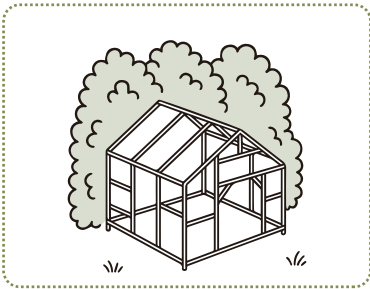
In order to ensure the safety of use and the convenience of subsequent maintenance, we recommend that you install this product in a covered environment and avoid choosing a completely open space. The following locations are recommended:



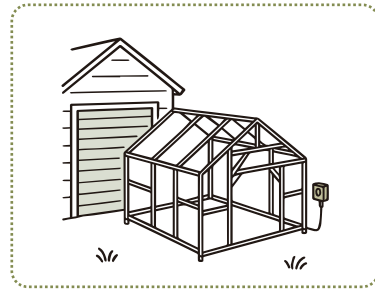
✓ **Close to the building facade:**
For example, the walls of houses or warehouses can be used to improve stability.



✓ **Next to the fence or in the corner of the courtyard:** Provide proper shelter from strong winds.



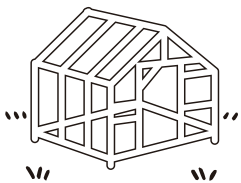
✓ **Behind a hedge or hedge:**
Natural shading, both aesthetic and practical.



✓ **Next to the garage or shed:**
Easy to connect to power or tools for easy access.



Do not install this product on:



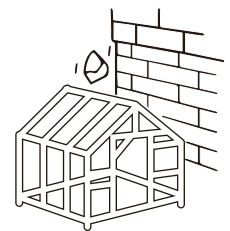
✗ **In the middle of the open meadow**



✗ **Strong winds, unsheltered areas**



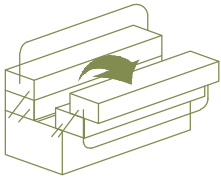
✗ **Steep slopes or poorly drained ground**



✗ **There may be a location for falling objects at high altitudes**

1. Aluminum Parts:

Product Setup: What You Need



Toolbox



Hammer



Gloves



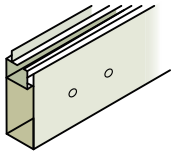
Power drill



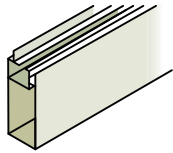
Tape Measure



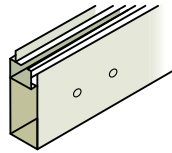
Bitbits



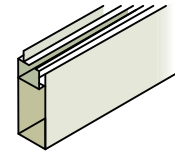
#1 A1-1 x2



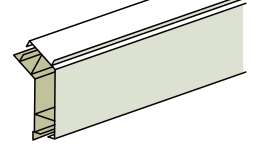
#2 A1-2 x2



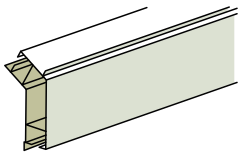
#3 A2-1 x2



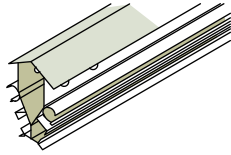
#4 A2-2 x2



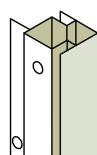
#5 A3-1 x2



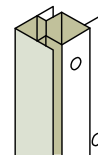
#6 A3-2 x2



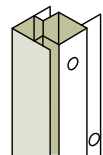
#7 A4 x2



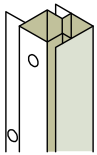
#8 A5-1 x2



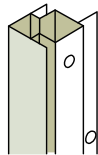
#9 A5-2 x2



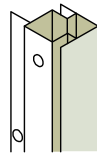
#10 A6-1 x1



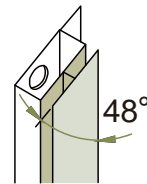
#11 A6-2 x1



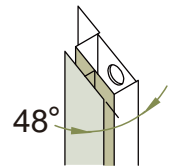
#12 A7-1 x1



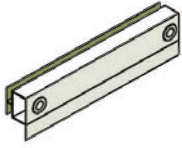
#13 A7-2 x1



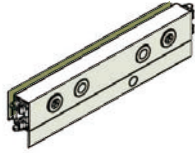
#14 A8-1 x1



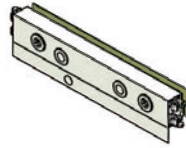
#15 A8-2 x1



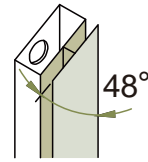
#16 A9 x1



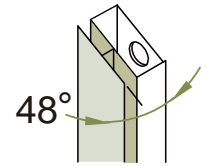
#17 A10-1 x2



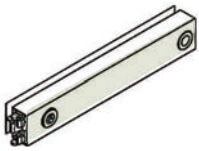
#18 A10-2 x2



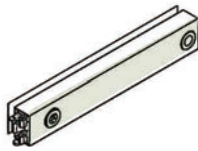
#19 A11-1 x1



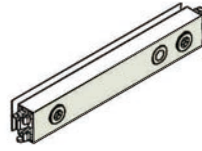
#20 A11-2 x1



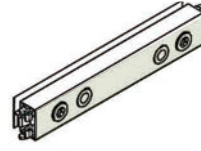
#21 A12 x4



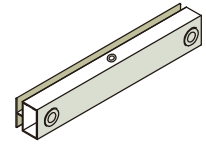
#22 A13 x4



#23 A15 x8



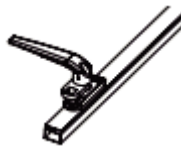
#24 A16 x4



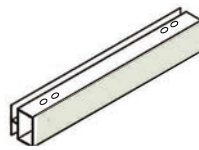
#25 A17 x2



#26 A18-1 x1



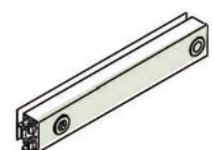
#27 A18-2 x1



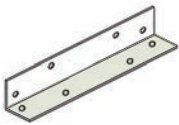
#28 A20 x2



#29 A21 x4



#30 A19 x1



#31 C7 x4



#32 A23 x8



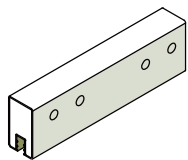
#33 A25-1 x4



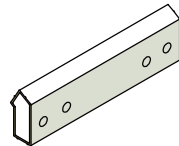
#34 A25-2 x8



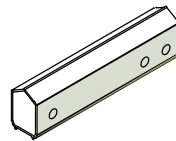
#35 A25-3 x4



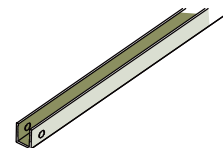
#36 A26 x4



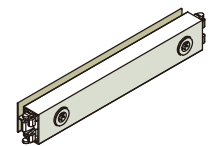
#37 A27 x2



#38 A28 x1



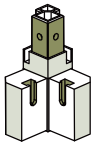
#39 A30-2 x2



#40 A31 x1



Plastic Parts:



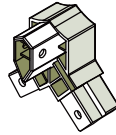
#1 H1 x4



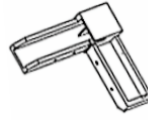
#2 H2-1A x2



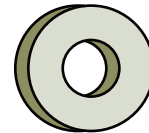
#3 H2-1B x2



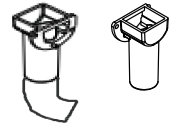
#4 H3-1 x2



#5 H4 x4

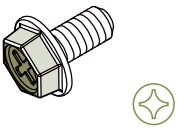


#6 C5 x4



#7 H5 x2

Hardware:

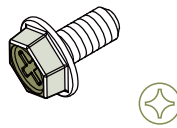


#1 H6 x22

SIZE:M6x30



#2 H7 x1



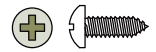
#3 H8 x82

SIZE:M6x12



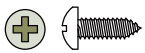
#4 H9 x30

SIZE:M6



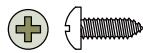
#5 H11 x28

SIZE:ST4x10



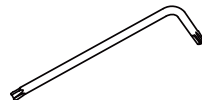
#6 H12 x4

SIZE:ST5x10



#7 H13 x12

SIZE:ST5x16



#8 H14 x1



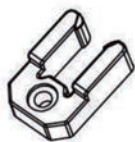
#9 C6 x8



#10 F8 x8



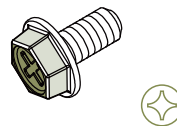
#11 H15 x1



#12 H16 x2

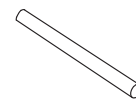


#13 H17 x4

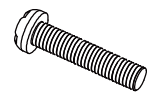


#14 H18 x12

SIZE:M6x20

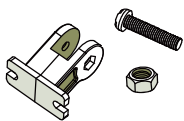


#15 H19 x2

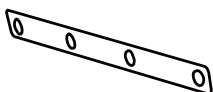


#16 F20 x2

SIZE:M4x38



#17 A30-1 x2



#18 C1 x2



#19 C2 x2



#20 C3-1A x 2



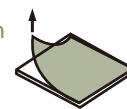
#21 C3-1B x2



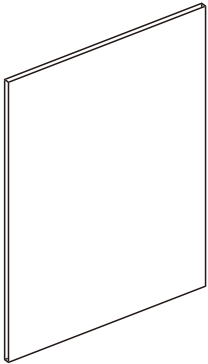
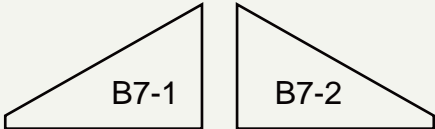
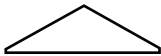
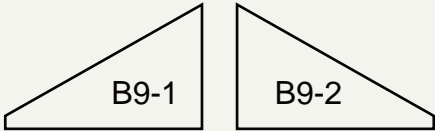
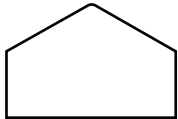


#22 F9 x8

Note: Film on both sides to be peeled off before installation.

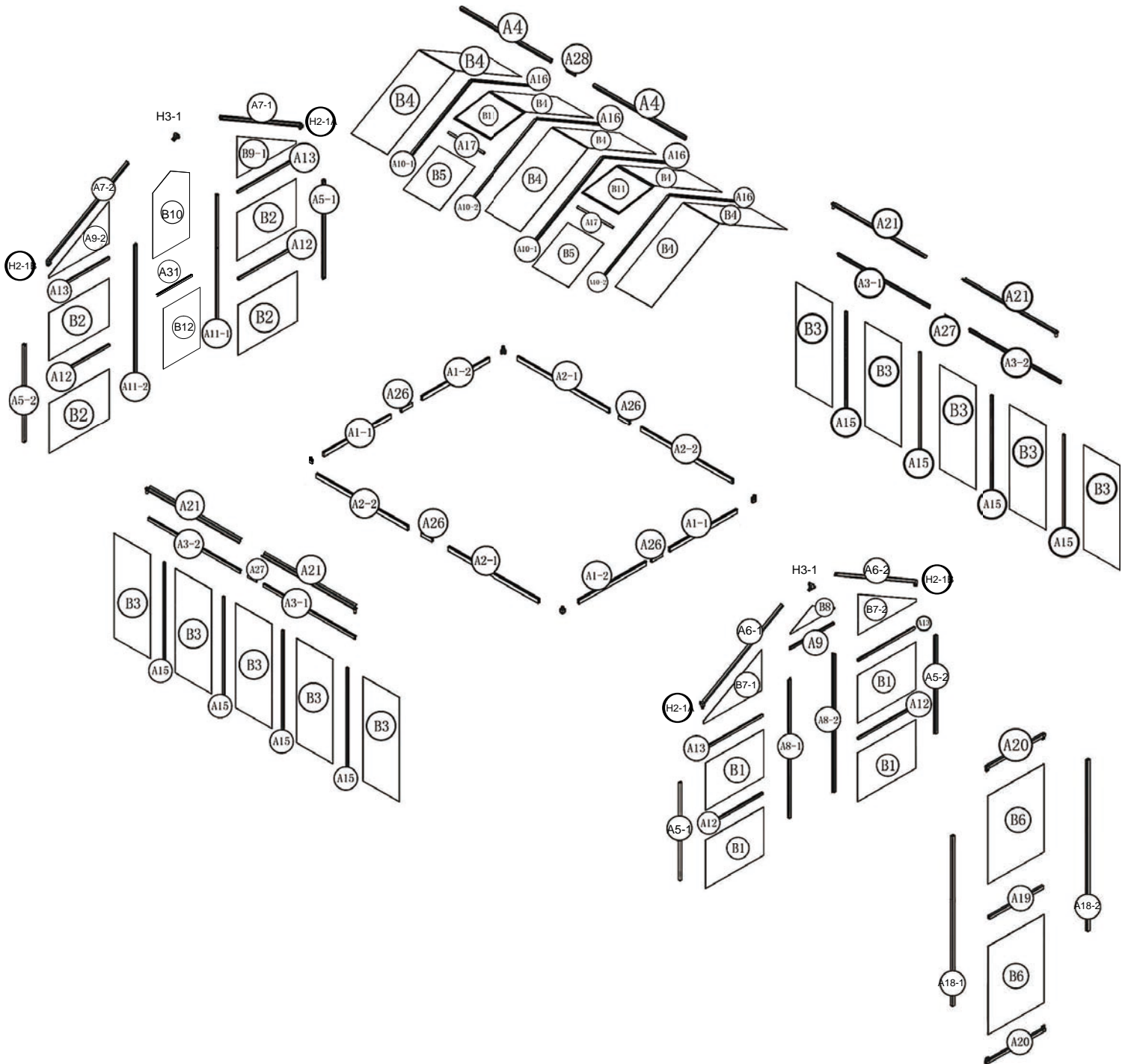
The white film faces outwards if application



Twin PC Board:

No.	Picture	Qty.	
B		B1	x4
		B2	x4
		B3	x10
		B4	x8
		B5	x2
		B6	x2
		B7-1 B7-2	x1
		B8	x1
		B9-1 B9-2	x1
		B10	x1
		B11	x2
		B12	x1

2. All Section





Please read the following carefully before assembling

Precautions for assembling the PC board:

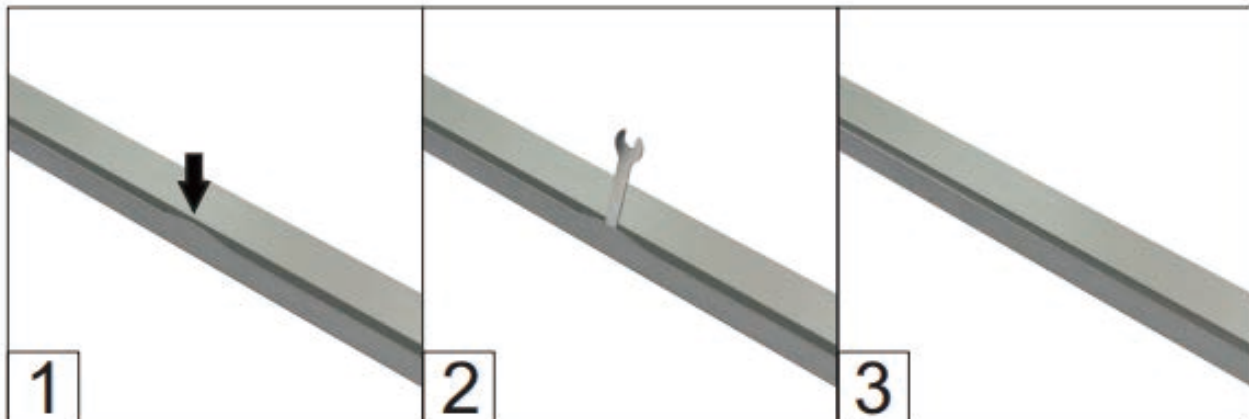
1. Before assembly, it is necessary to remove the film on both sides of the PC board;



2. It is recommended that silicone sealant can be applied to the edges of the PC board when installing it to enhance the overall firmness.

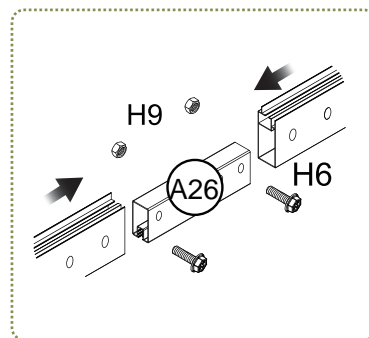
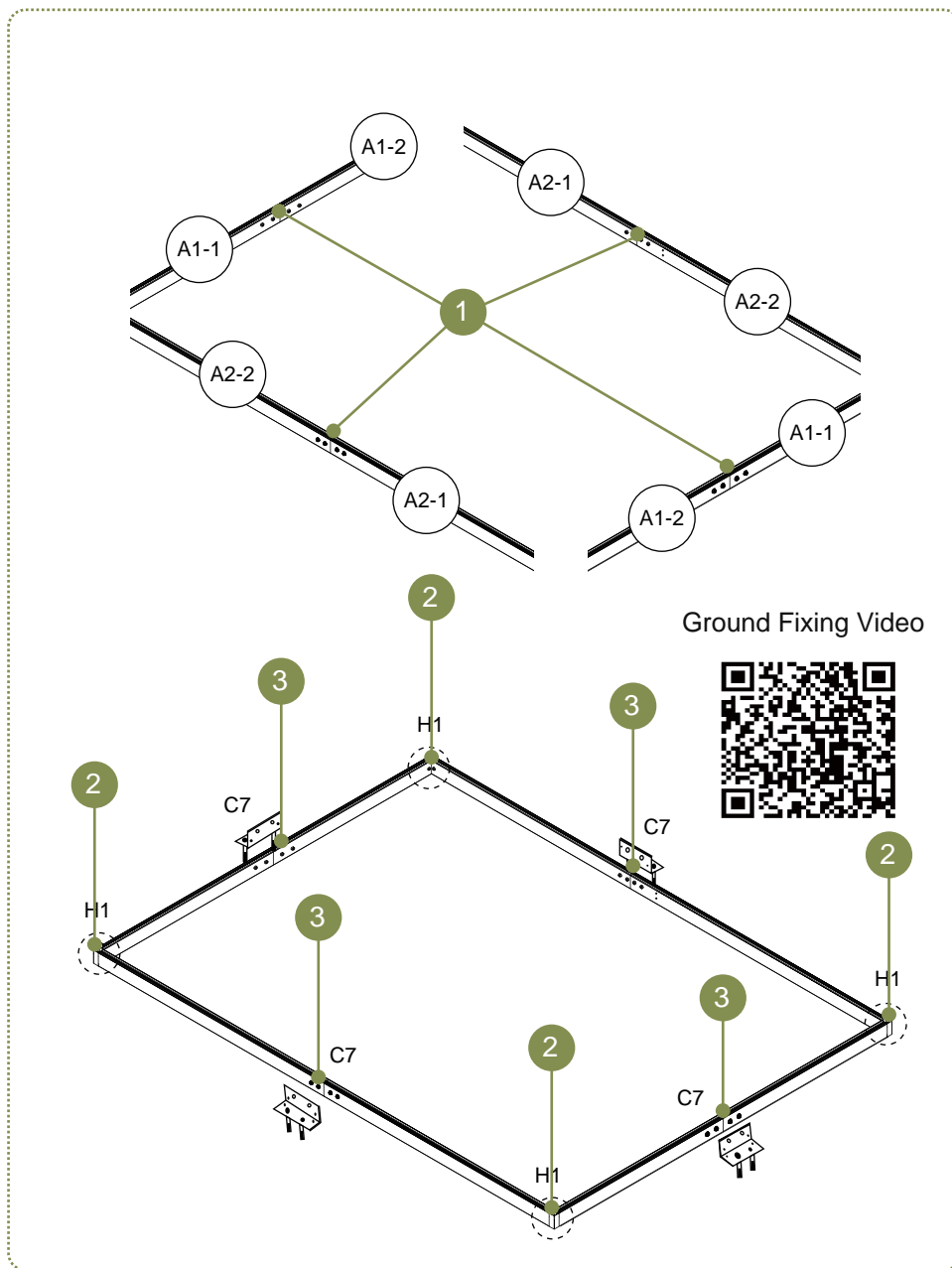
3. When installing the C7, pay attention: C7 Please install the installation manual, if it is a cement floor, fix it with expansion screw F8; The muddy ground is fixed with ground nail F9.

Warning: Do not install in windy weather!

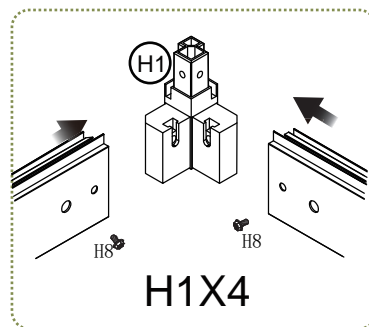


If the aluminum part curved as below picture, please use the wrench to restore it.

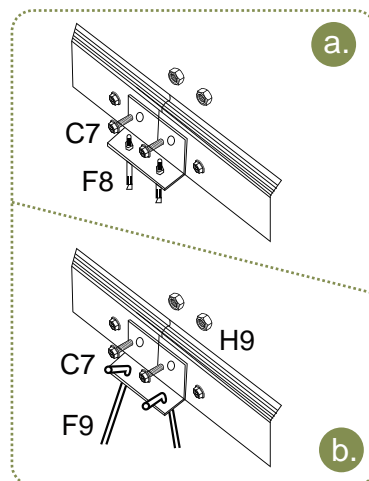
STEP 1 Installation of Ground Beams



1. Note: Only the first and fourth holes of A26 are used to fix the ground beam, and the middle two holes are used to fix C7, as shown in step 3 below



2. H1 is assembled as shown in the picture



3. When installing C7, please note that if the greenhouse is assembled on acement floor, use expansion screw F8 to fix C7, as shown in Figure "a"; If the greenhouse is assembled on the mud floor, use nail F9 to fix C7, as shown in Figure "b"

List:

1 A1-1



x2

2 A1-2



x2

3 A2-1



x2

4 A2-2



x2

5 A26



x4

6 C7



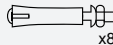
x4

7 H1



x4

8 F8



x8

9 F9



x8

10 H6 M6x30



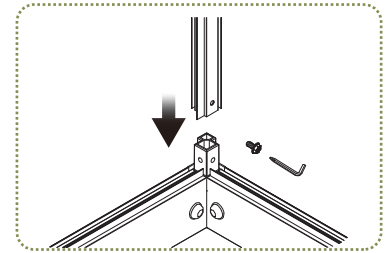
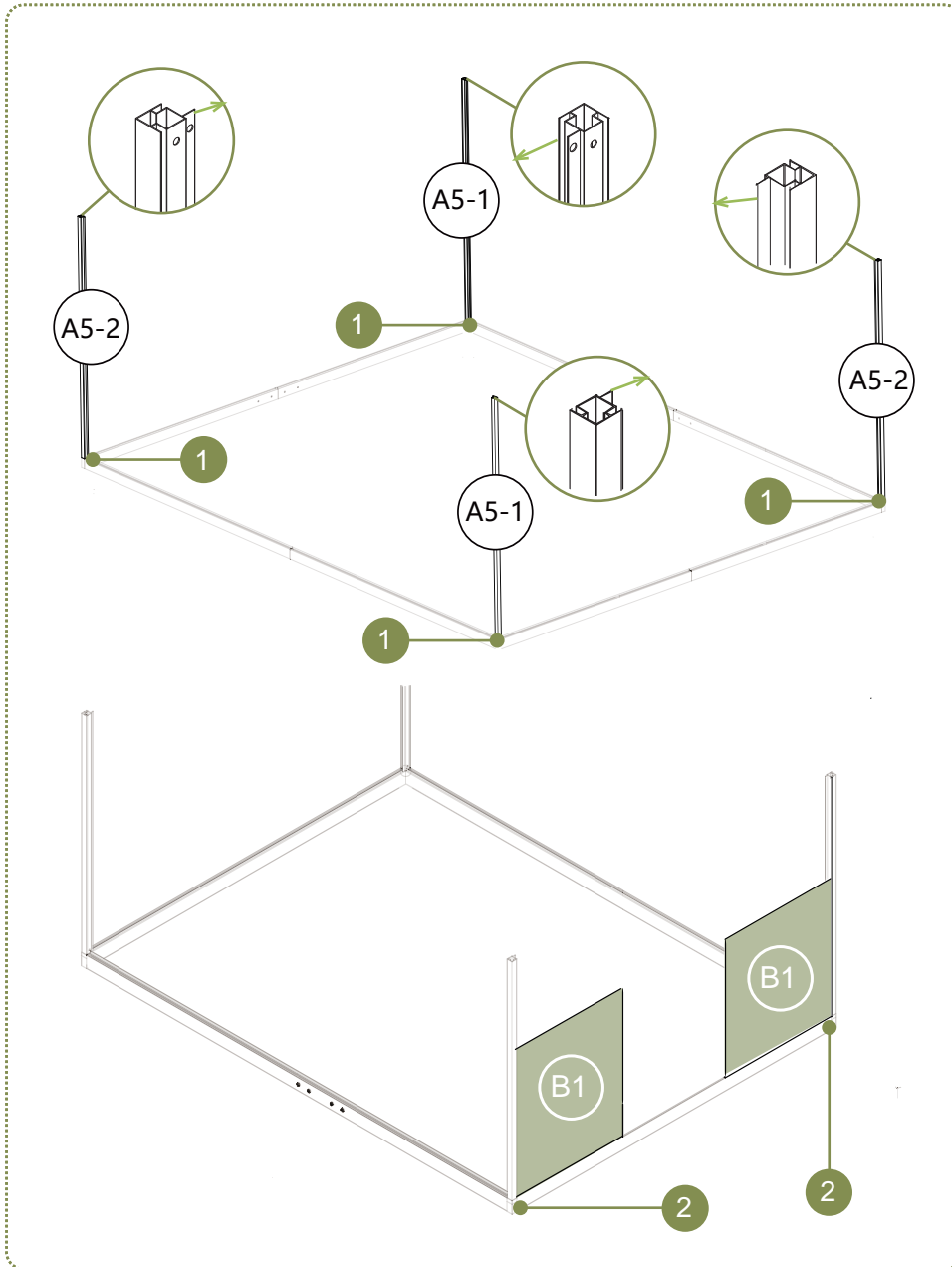
x16

11 H9 M6

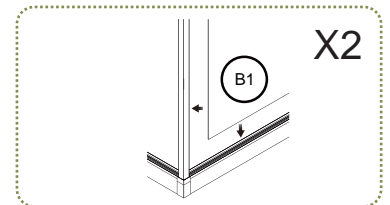


x16

STEP 2 Installation of the Columns & Door Frames



1. Please note the A4 orientation



2. The B1 panel needs to be accurately snapped into the slot

A5 installation video



List:

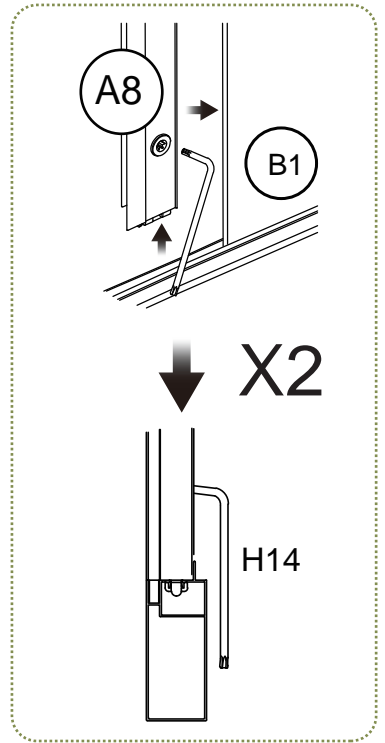
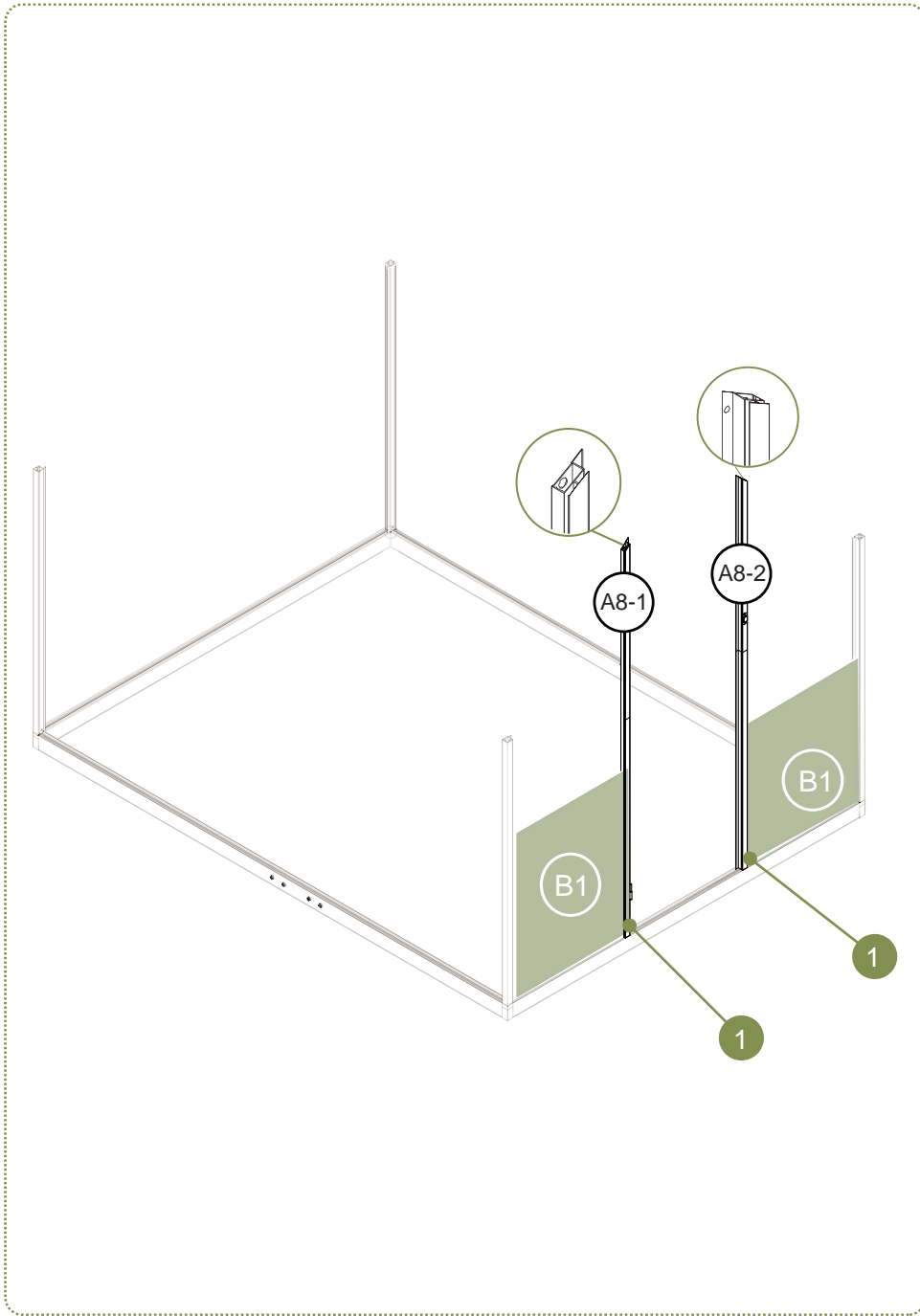
1 A5-1 x2

2 A5-2 x2

3 H8 M6X12 x4

4 B1

STEP 3 Installation of A8



1. Snap A8 into the A1 slot of the ground beam, and snap the B1 into the slot, and tighten the lock

List:

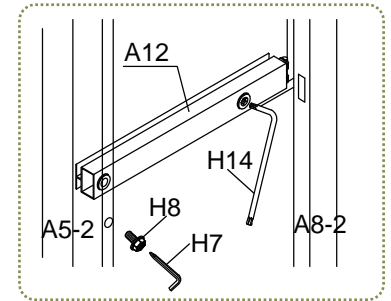
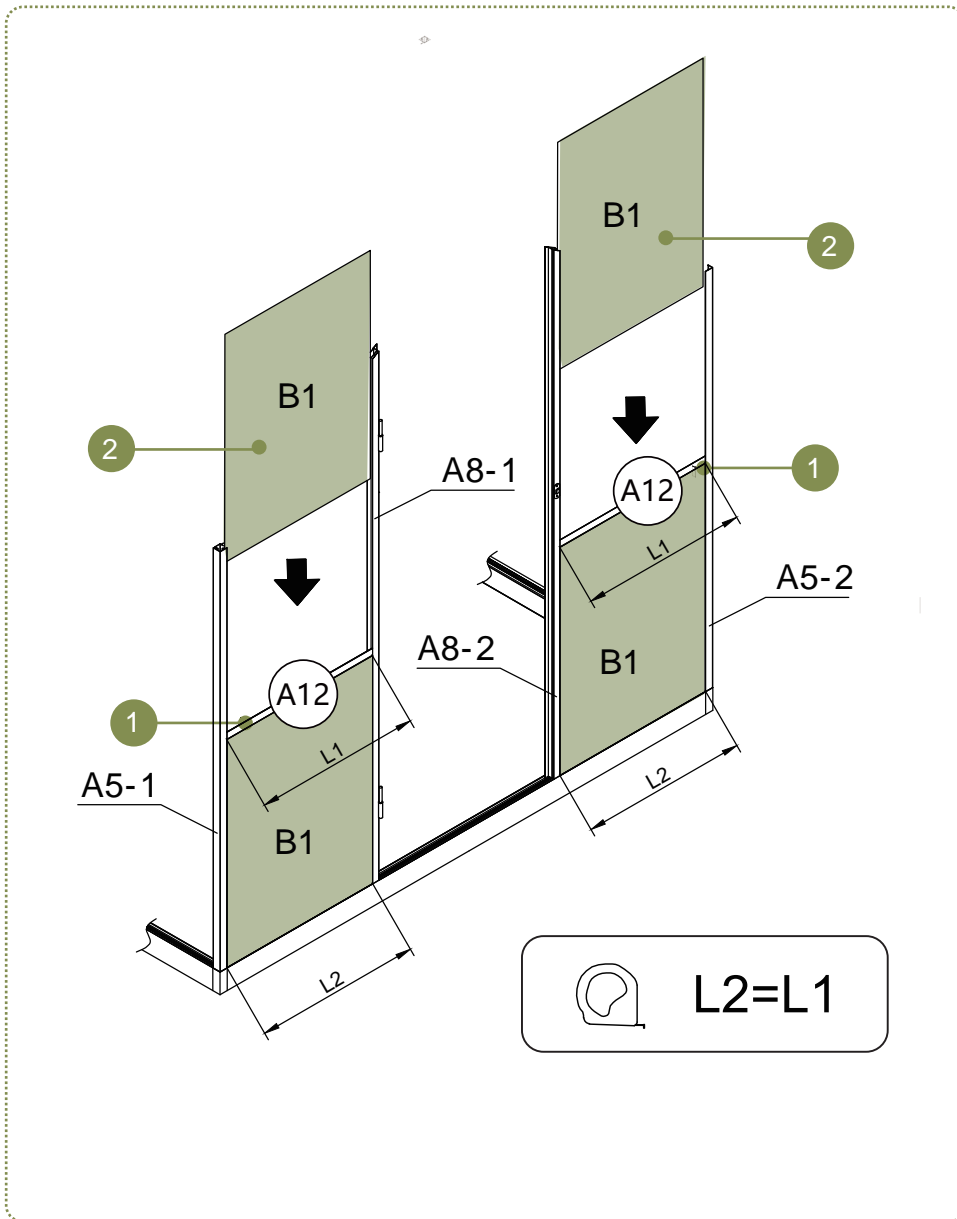
1 A8-1



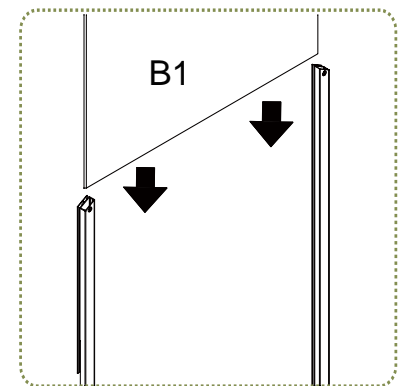
2 A8-2



STEP 4 Installation of A12 and the Front Panels





1. Install H12, securing on end to A5 with H8 screws, and connect the other end to A8, then tighten the lock.




2. Slide the B1 sunboard along the A5 and A8 slot to the bottom and snap it into the A1 slot.

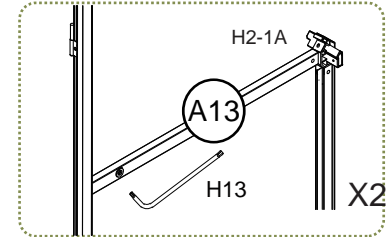
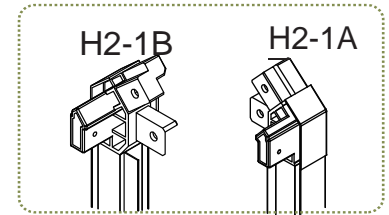
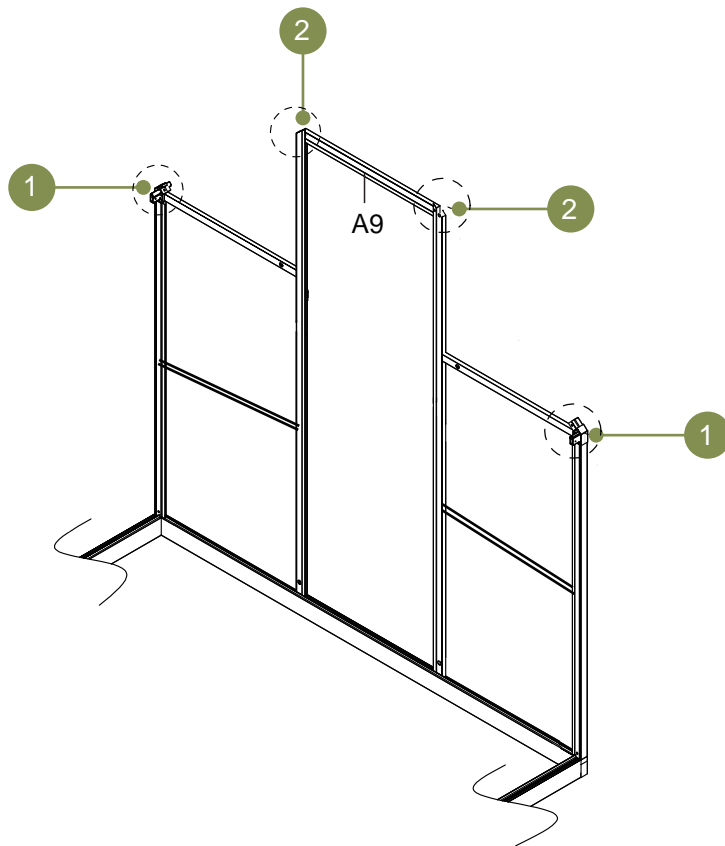
List:

1 A12  x2

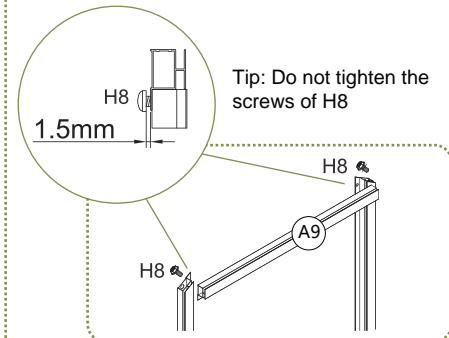
2 H8 M6X12  x2

3 B1  x2

STEP 5 Installation of H2-1、A13 & A9



1. First, insert H2-1A/B into A5, then insert one end of A13 into H2-1A/B and secure the other end to A8 (Do not fix the screws here first; fix them when installing C3-1A/B.)

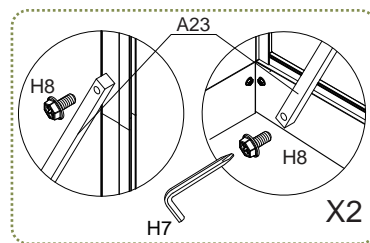
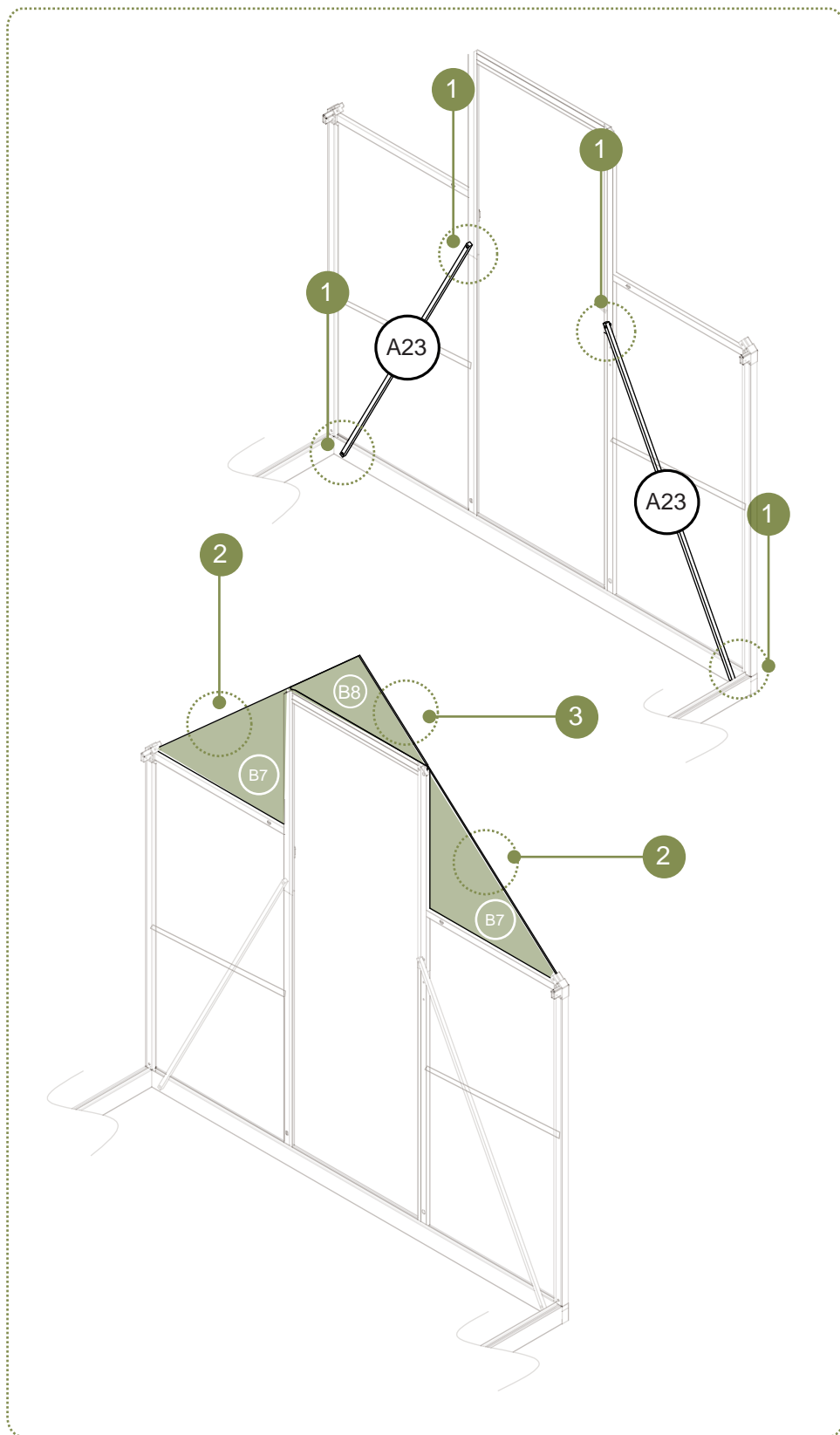


2. Install the A9 with H8 screws

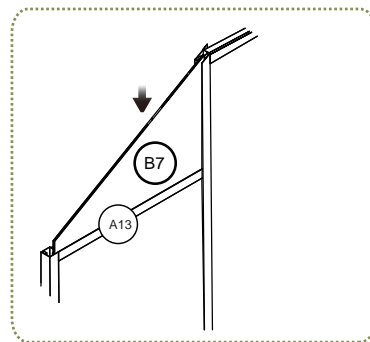
List:

1	A9		x1
2	A13		x2
3	H8 M6x12		x2
4	H2-1A		x1
5	H2-1B		x1

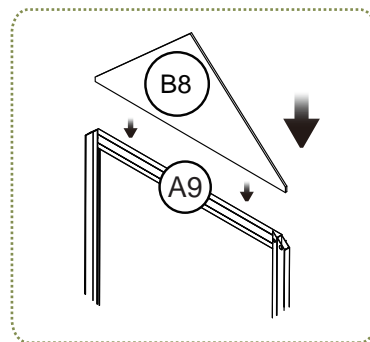
STEP 6 Installation of the Front Panels and A23



1. Use H8 screws to secure the A23 support bar.



2. Please assemble the B7 as shown in the picture above

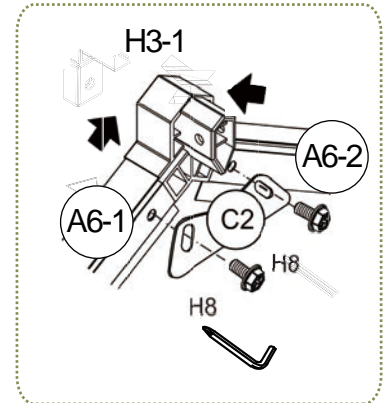
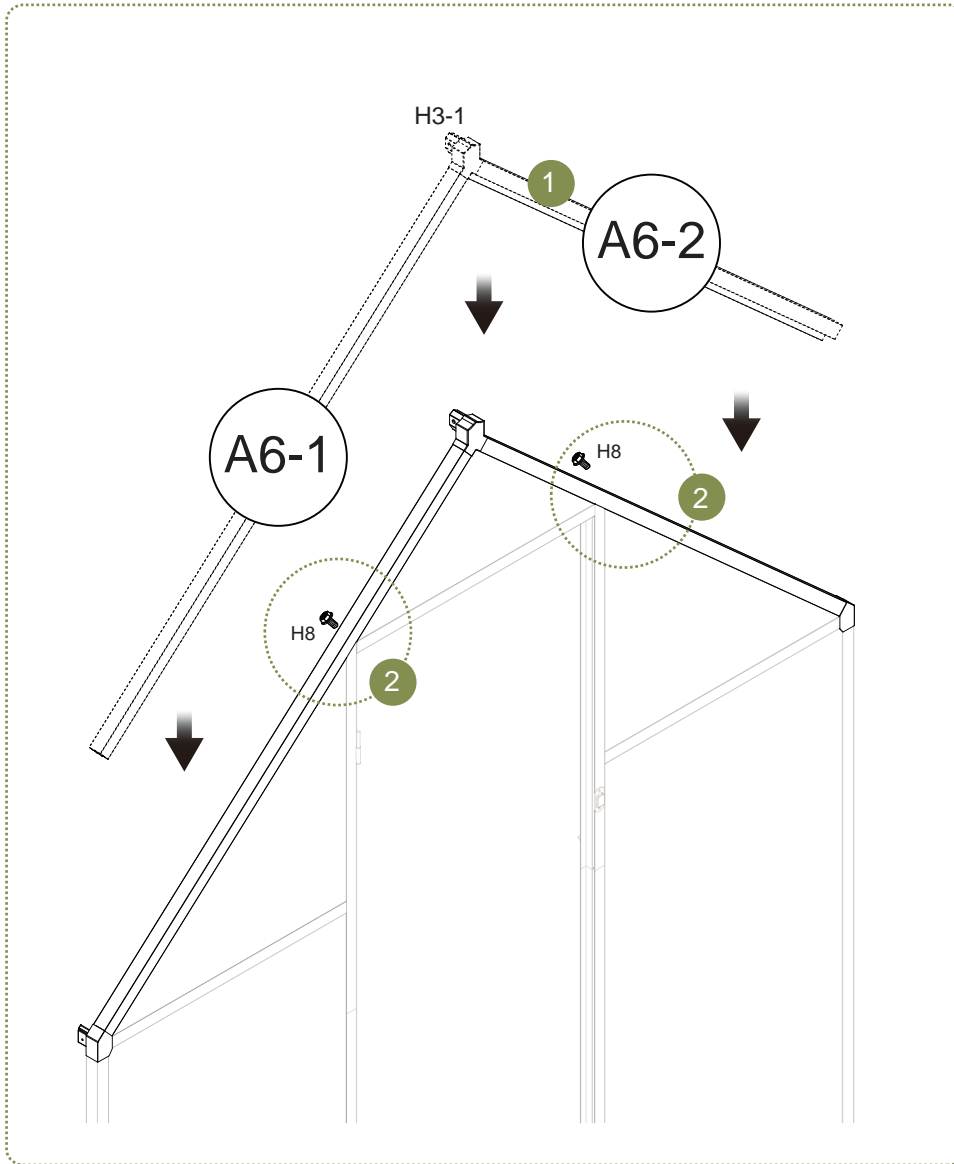


3. Please assemble the B4 as shown in the picture above

List:

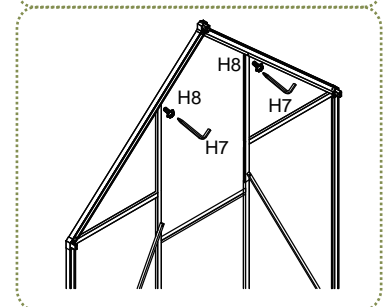
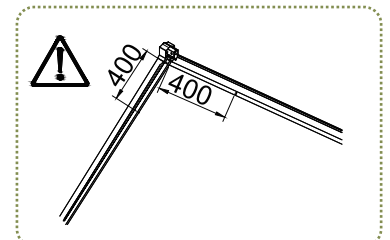
1	B7-1 B7-2		x1
2	B8		x1
3	A23		x2

STEP 7 Installation of the Front Herringbone Beams



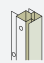
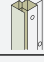



1. Insert A6-1 and A6-2 into H3-1 (note A6 orientation) and connect C2 with them using H8

C2 installation video

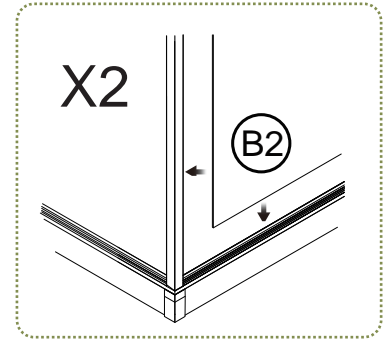
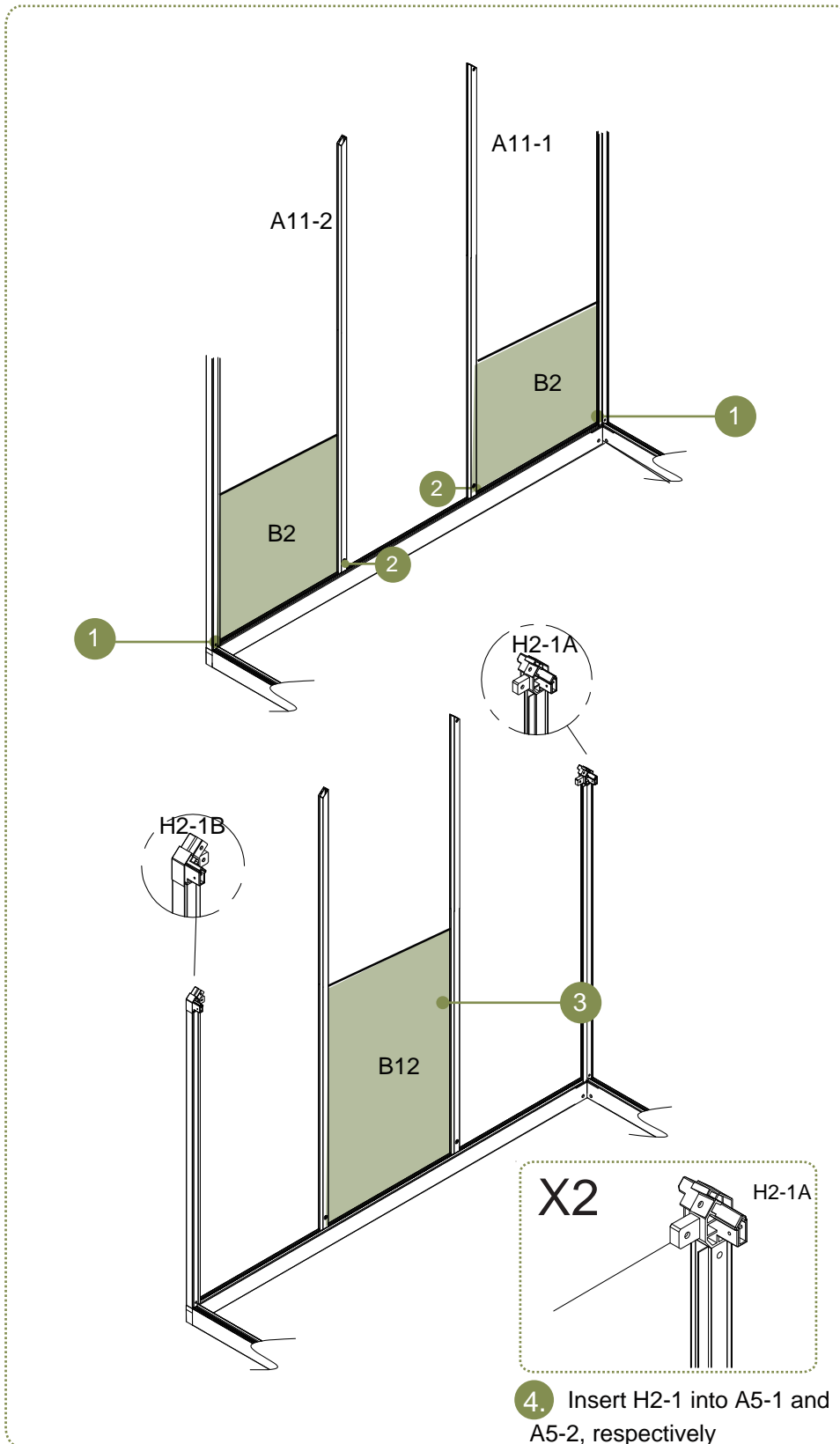


2. Tighten the H8 from the inside.

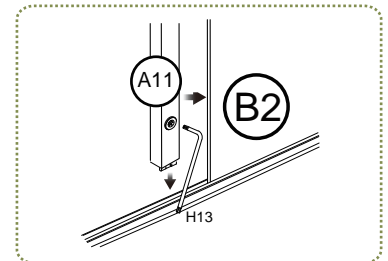
List:

- | | | |
|-------------|---|----|
| 1. A6-1 |  | x1 |
| 2. A6-2 |  | x1 |
| 3. C2 |  | x1 |
| 4. H8 M6X12 |  | x4 |
| 5. H3-1 |  | x1 |

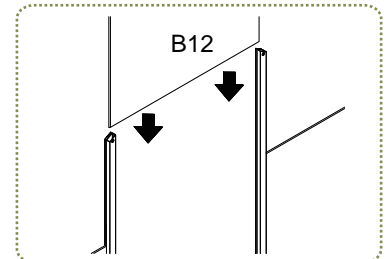
STEP 8 Installation of Rear Panels and A11



1. Accurately insert B2 into the slot.


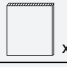


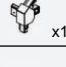




2. Please press the plate into place before locking it

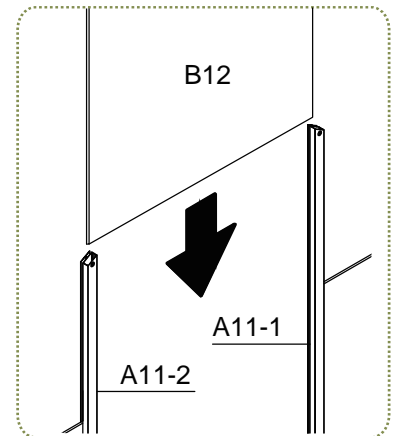
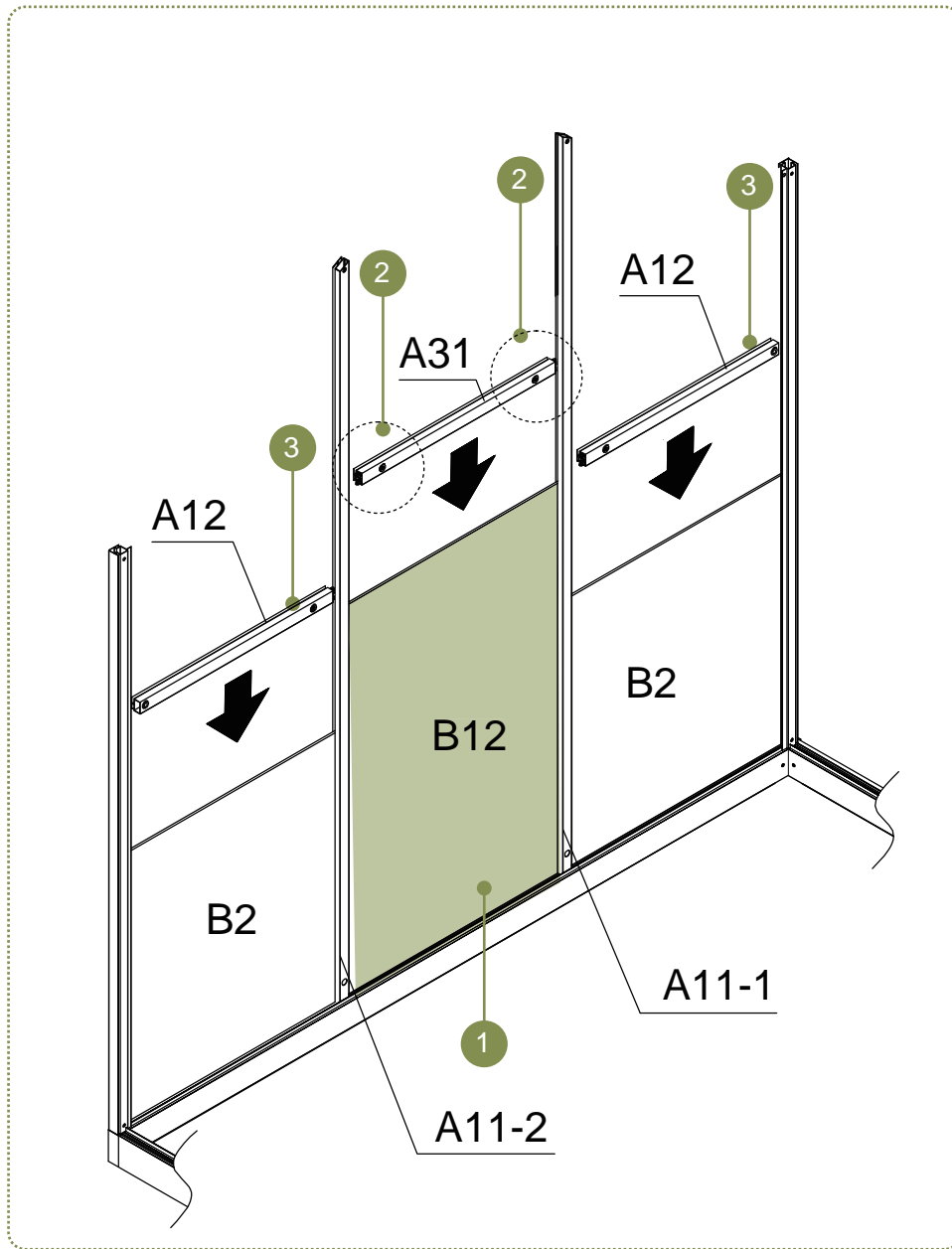


3. Slide the B12 sunboard along the A11 slot to the bottom and snap it into the A1 slot.

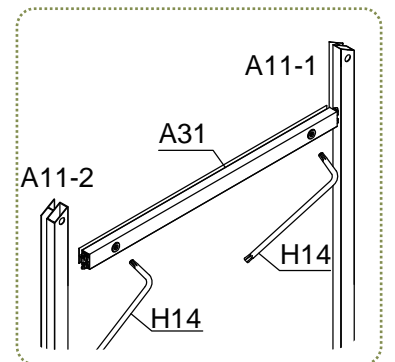
List

1	A11-1	 x1	5	B2	 x2
2	A11-2	 x1	6	B12	 x1
3	H2-1A	 x1	7	H8 M6X12	 x6
4	H2-1B	 x1			

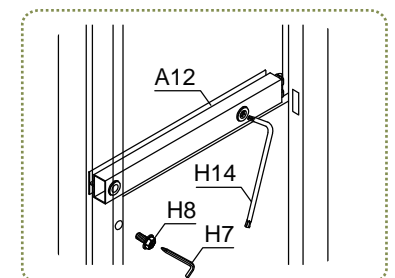
STEP 9 Installation of A12, A31 & B12



1. Slide the B12 sunboard along the A11 slot to the bottom and snap it into the A1 slot.

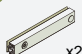

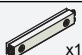



2. Insert both ends of A31 into the holes on both sides of A11, and make sure the upper edge of the sunlight panel B12 is clipped into the slot of A31, then tighten the lock with H14.

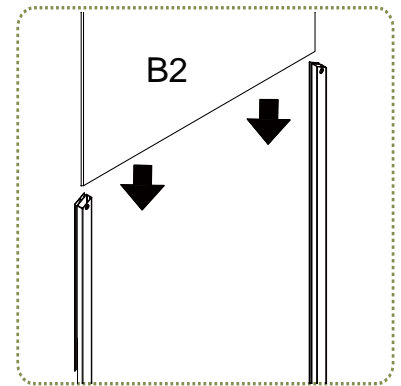
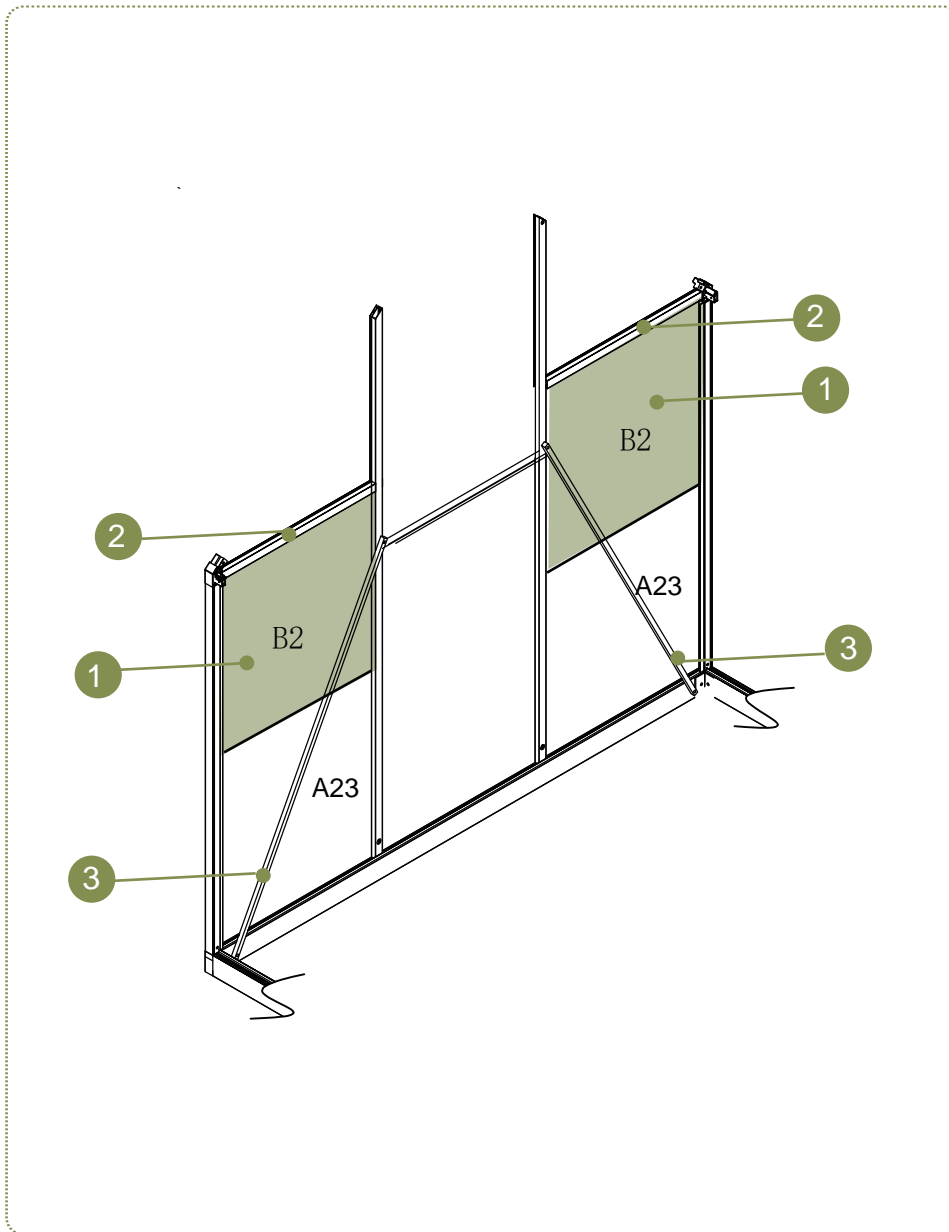


3. Install H12, securing on end to A5 with H8 screws, and connect the other end to A8, then tighten the lock.

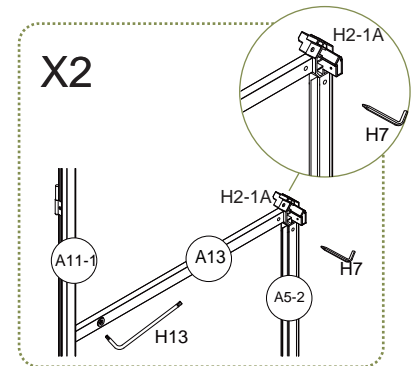
List:

- | | | | | | | | |
|---|-----|---|----|---|----------|---|----|
| 1 | A12 |  | x2 | 3 | B12 |  | x1 |
| 2 | A31 |  | x1 | 4 | H8 M6X12 |  | x2 |

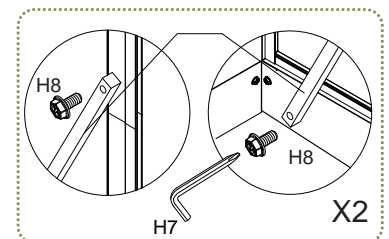
STEP 10 Installation of A13, A23 & B2



1. Slide the B2 sun board along the A5 and A8 slot to the bottom and snap it into the A12 slot.




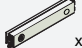
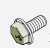
2. First, insert H2-1A/B into A5, then insert one end of A13 into H2-1A/B and secure the other end to A8 (Do not fix the screws here first; fix them when installing C3-A/B.)



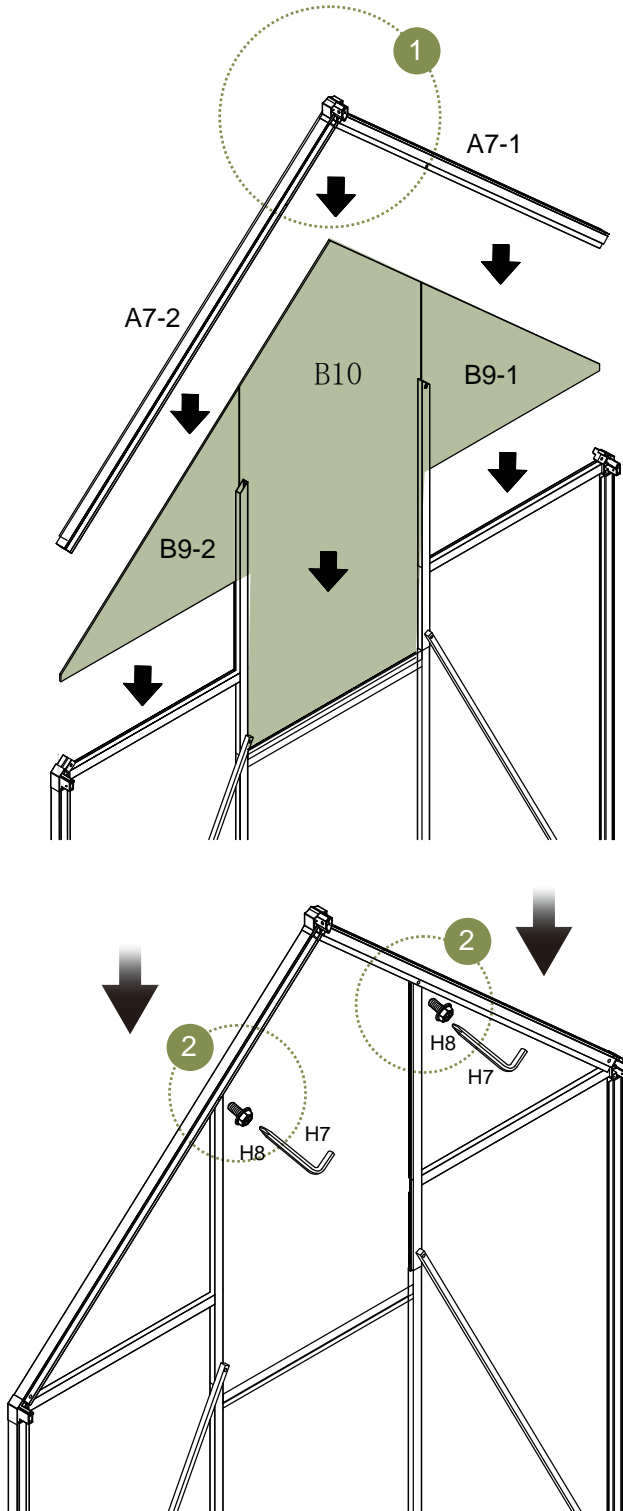
2. Fix one end of A23 to A1 and the other end to A11.

List

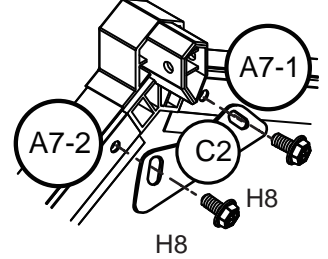
1 A23  x2

2 A13  x2 **3** H8 M6X12  x4

STEP 11 Installation of the Rear Herringbone Beams



H3-1



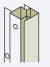
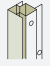
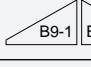
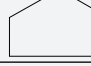
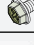


1. Insert A7-1 and A7-2 into H3-1 and connect C2 with them using H8

C2 installation video

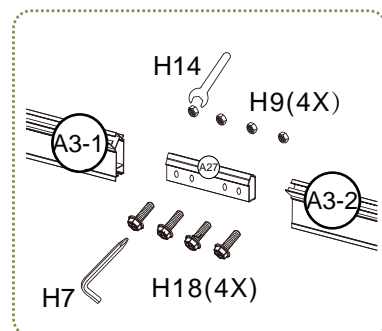
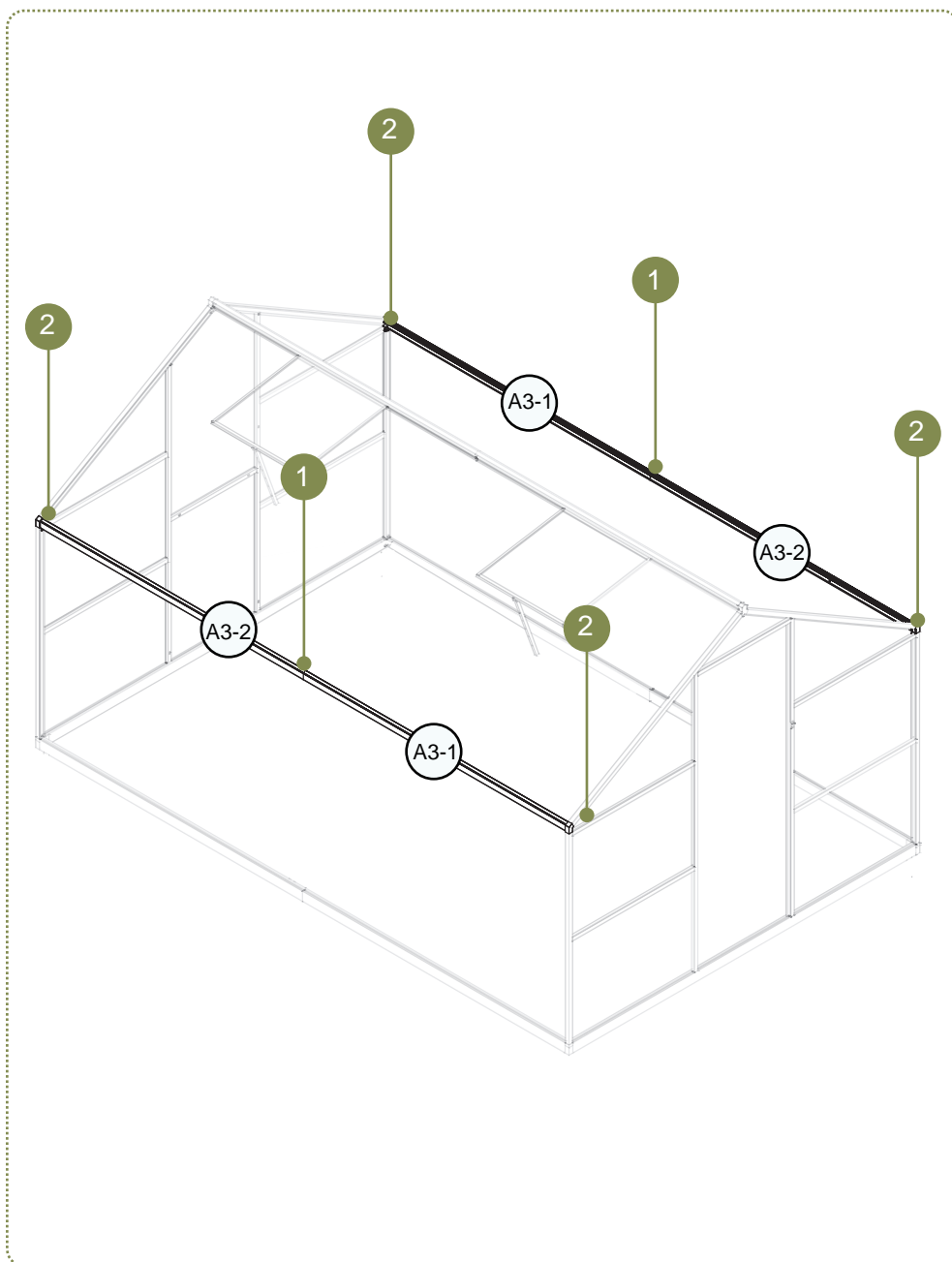


2. For better B10 installation, loose screws a bit, insert B10 and then tighten the screws

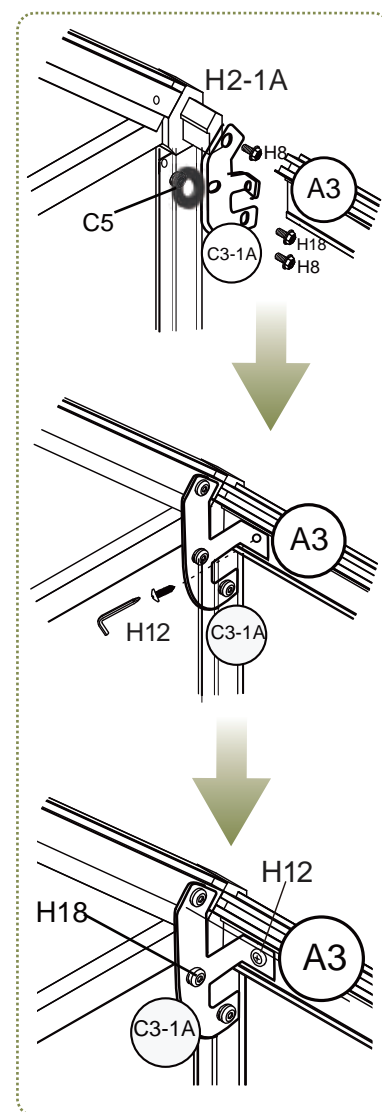
List:

- | | | | |
|---|-----------|---|----|
| 1 | A7-1 |  | x1 |
| 2 | A7-2 |  | x1 |
| 3 | B9-1 B9-2 |  | x1 |
| 4 | B10 |  | x4 |
| 5 | H8 M6X12 |  | x4 |
| 6 | C2 |  | x1 |
| 7 | H3-1 |  | x1 |

STEP 12 Installation of the C3-1 Corner Guard





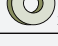


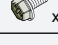




1. Connect A3-1 and A3-2 with A27, then insert H18 and H9 into the holes and tighten them



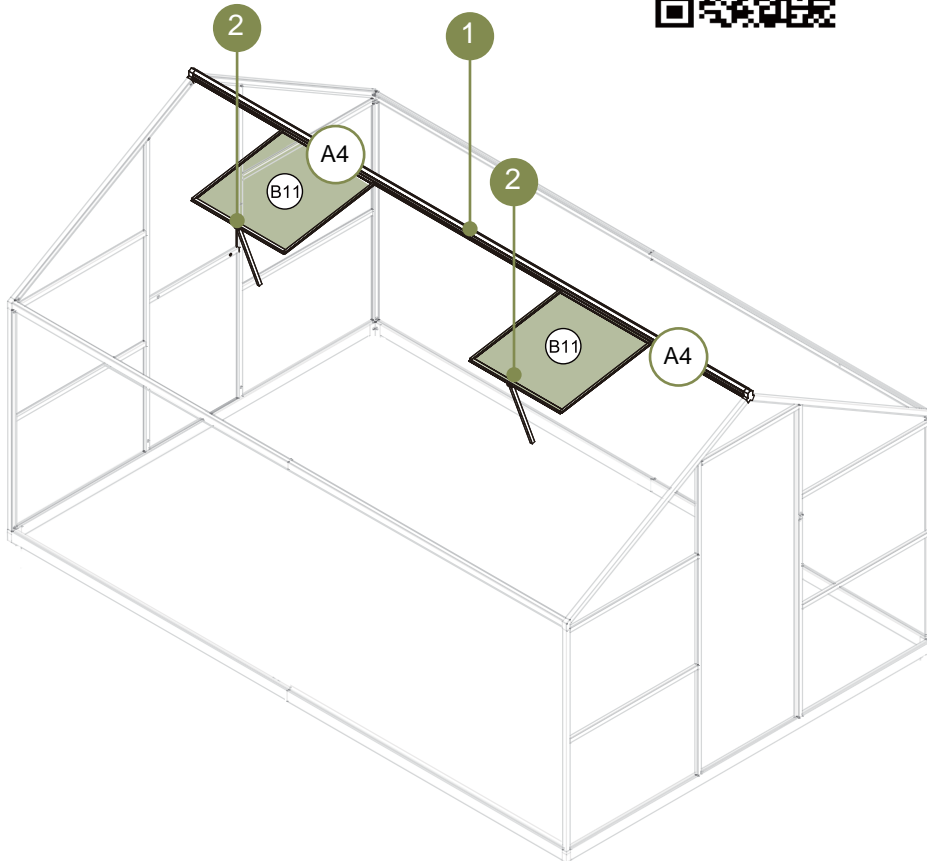
2. Install C3-1A/B at the four corners and fix it with screws

List:

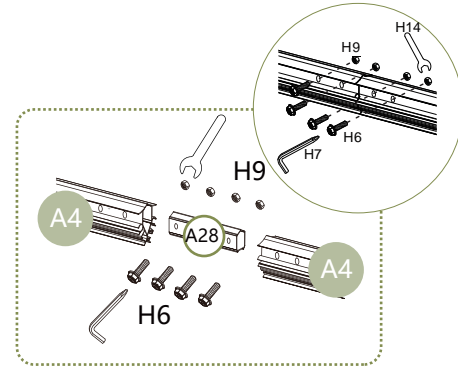
1 A3-1	 x2	5 C3-1A	 x2	9 H9 M6	 x12
2 A3-2	 x2	6 C5	 x8	10 H12 St5x10	 x4
3 A27	 x2	7 H8 M6x12	 x4		
4 C3-1A	 x2	8 H18 M6x20	 x8		

STEP 13 Installation of the Sunroofs & A4

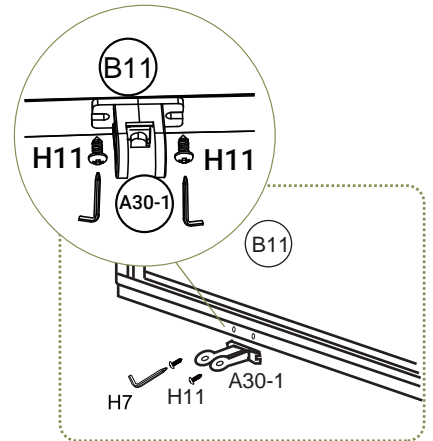
Sunroof installation video



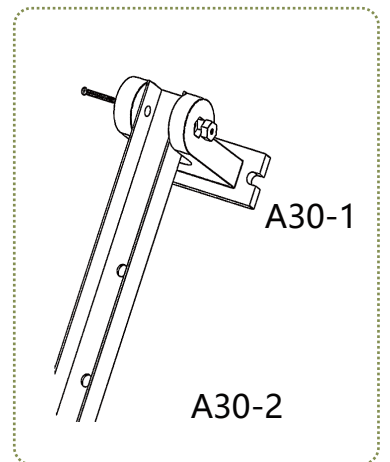
Tip: The side marked with the 'UV' logo is facing up



1. The first step is to connect two A4.

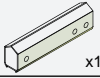




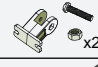

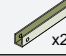



2. The second step is to fix A30-1 to B11 using H11 screws

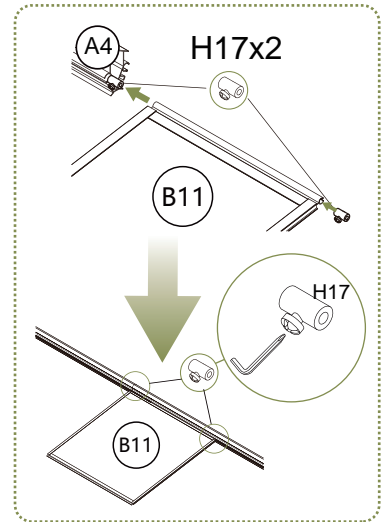
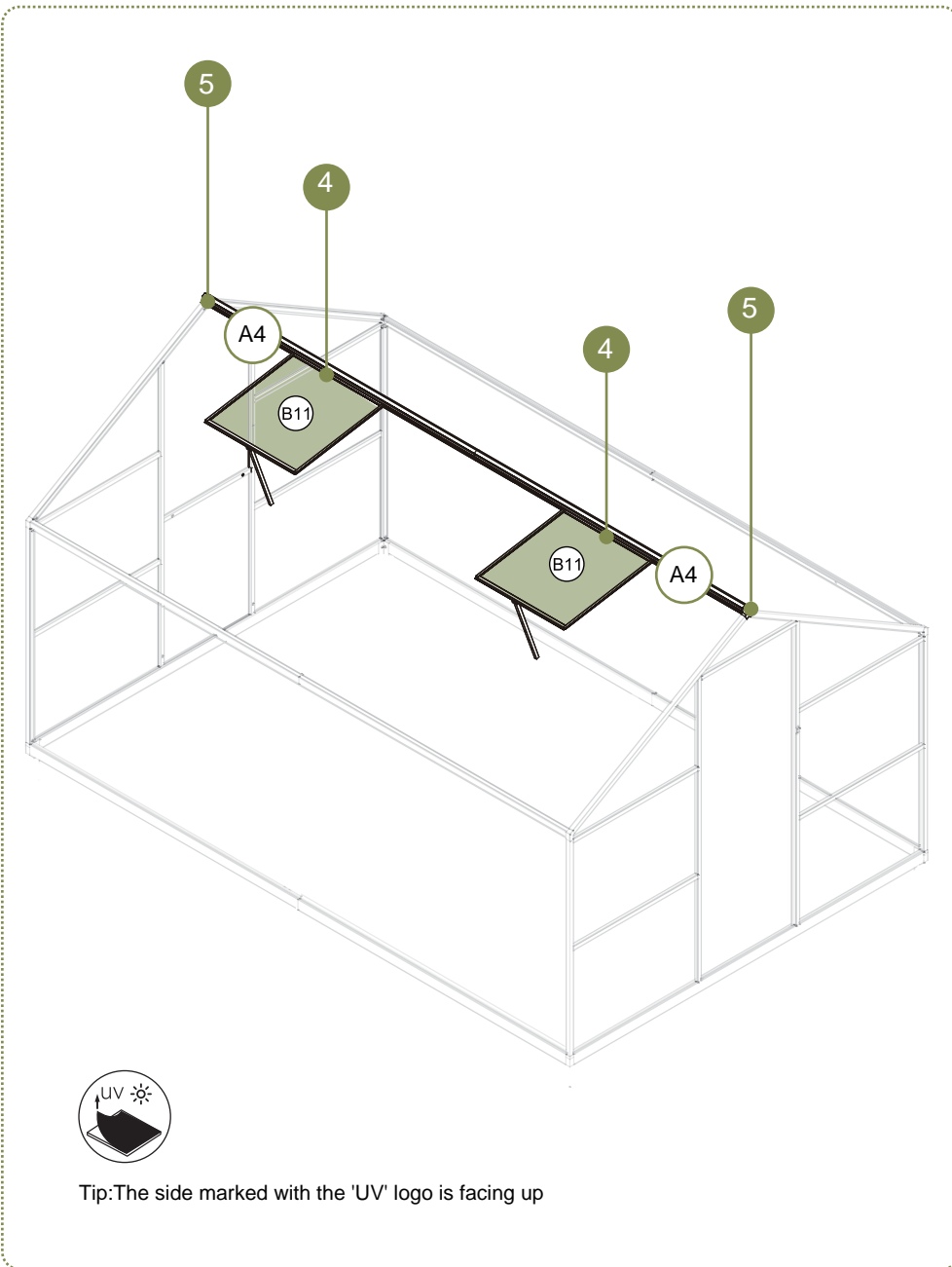


3. Install A30-2 onto the plastic part of A30-1, pay attention to the direction

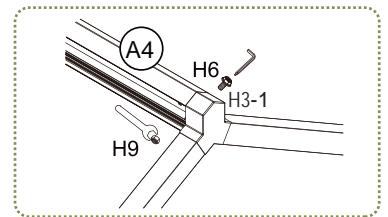
List:

- | | | | |
|------------|--|---------------|---|
| 1 A28 |  x1 | 6 A4 |  x2 |
| 2 B11 |  x2 | 7 H9 M6 |  x4 |
| 4 H17 |  x4 | 8 A30-1 |  x2 |
| 5 H6 M6x30 |  x4 | 9 A30-2 |  x2 |
| | | 10 H11 ST4x10 |  x4 |

STEP 13 Installation of the Sunroofs & A4



4. Assemble the H17 fixing and the B11 window together

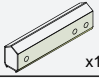










5. Insert A4 into the plastic connector H3-1, screw the H6 screw into the screw hole, and tighten the screw

Sunroof installation video

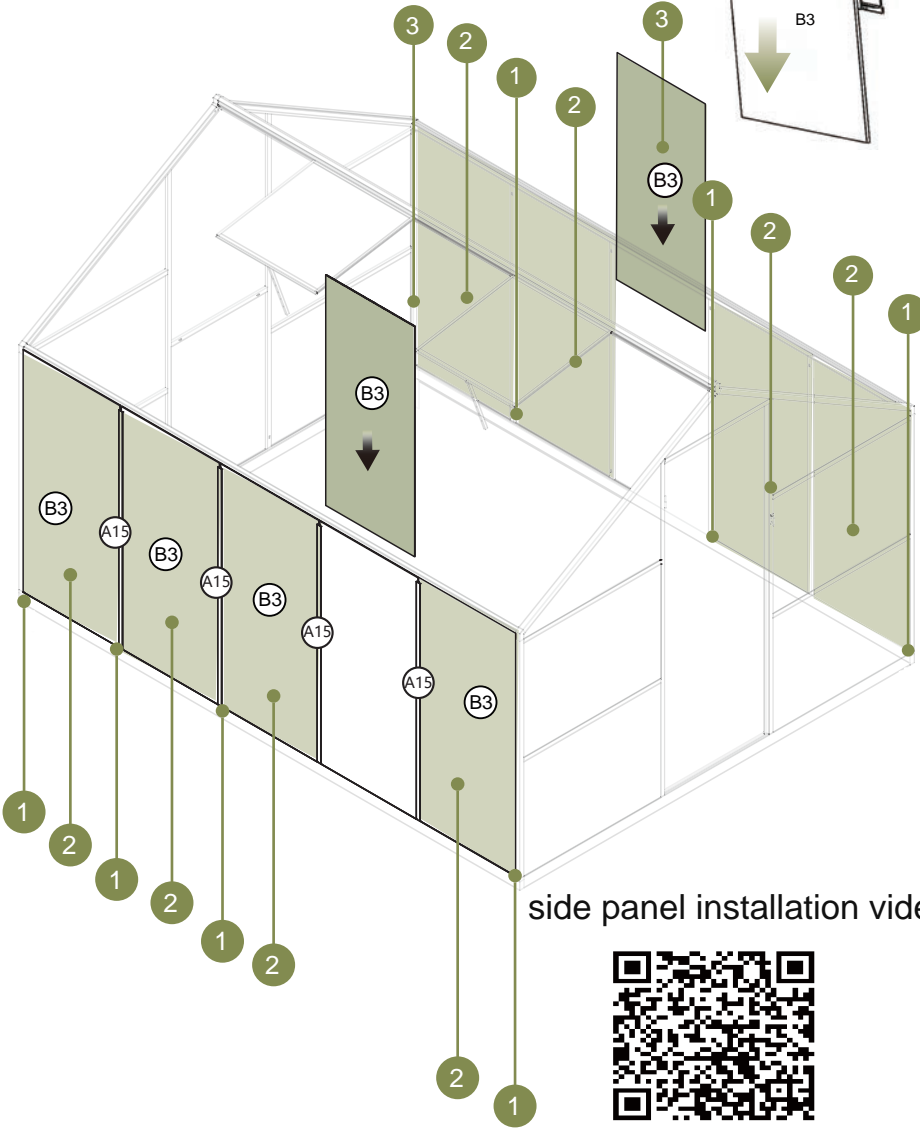
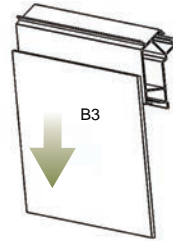


List:

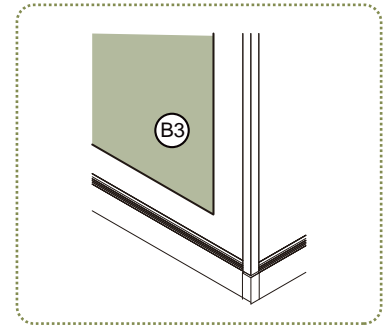
1 A28	 x1	6 A4	 x2
2 B11	 x2	7 H9 M6	 x4
4 H17	 x4	8 A30-1	 x2
5 H6 M6x30	 x4	9 A30-2	 x2
		10 H11 ST4x10	 x4

STEP 14 Installation of the Side Panels

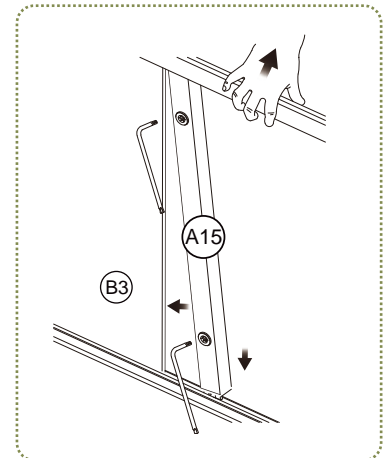
Tip: The installation position of PC board B3 is shown in the figure (outside of the aluminum profile)



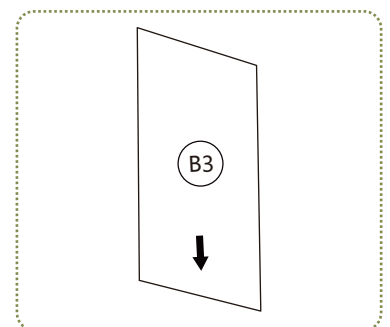
side panel installation video



1. The B3 installation is shown in the picture above



2. Install a B3 first, and then install an A15, and the installation steps of the A15 are shown in the figure above



3. The panel marked 3 is installed last, and the installation method is inserted from top to bottom, as shown in the image above

List:

1 A15



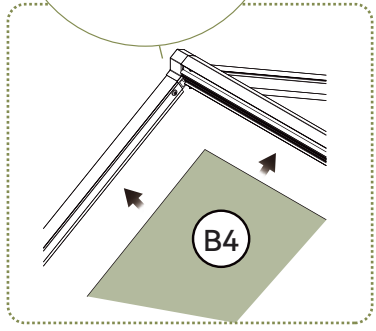
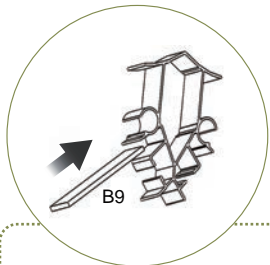
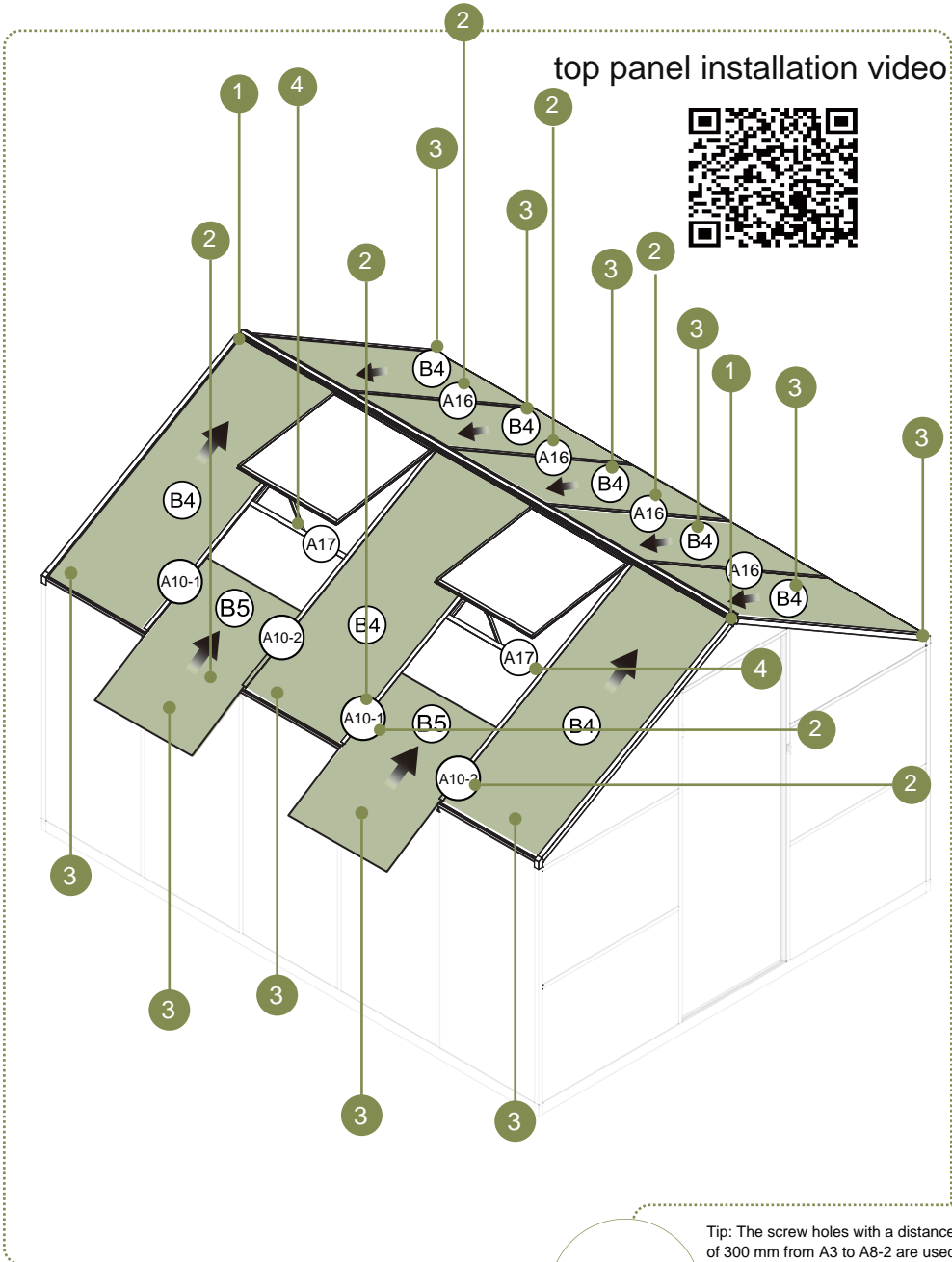
x8

2 B3



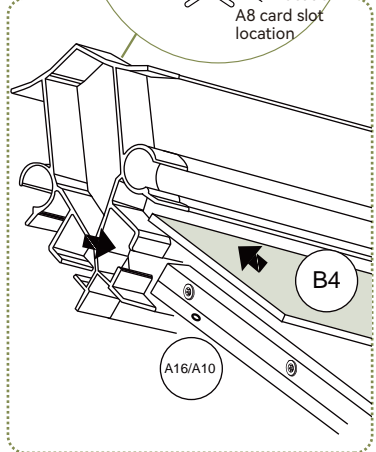
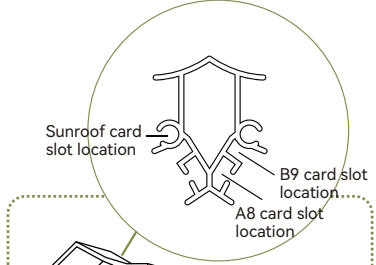
x10

STEP 15 Installation of the Top Panels

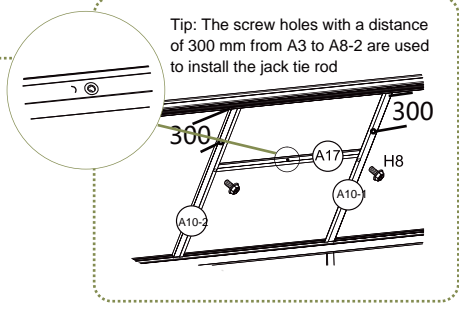


1. The position of the top beam slot of the PC board B4 is shown in the figure

3. The B4/B5 installation is shown in the figure



2. First, one end of the A16/A10 is stuck into the slot, the other end is placed in the lower slot, and then moved to the B4 sunshine board, finally the sunshine board is stuck into the slot and tighten the lock.



Tip: The screw holes with a distance of 300 mm from A3 to A8-2 are used to install the jack tie rod

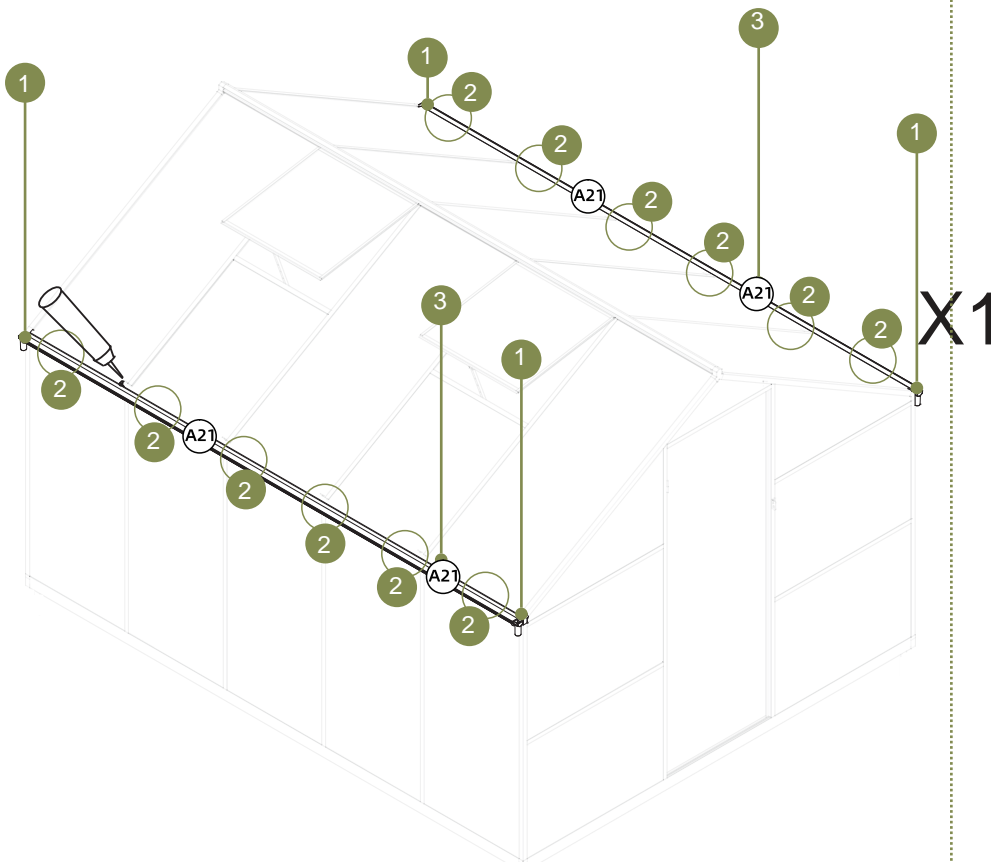
4. Align the two ends of A10 with the holes on A10 and fix them with H8 (pay attention to the A10 rivet holes)

List:

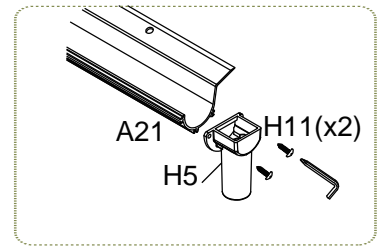
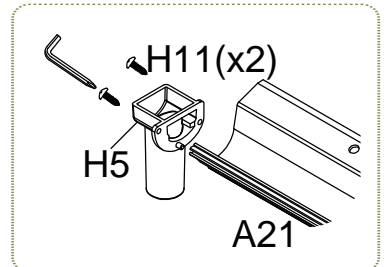
1. A10-1		x2	5. A16		x4
2. A10-2		x2	6. A17		x2
3. B4		x8	7. H8		x4
4. B5		x2	8. H19		x2

STEP 16 Installation of the Sink

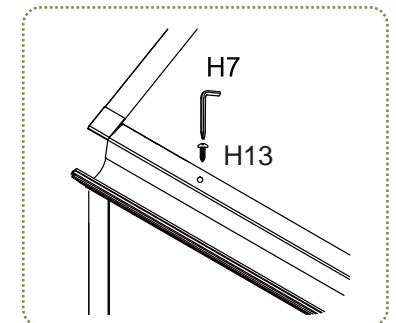
The front and back are assembled in the same way



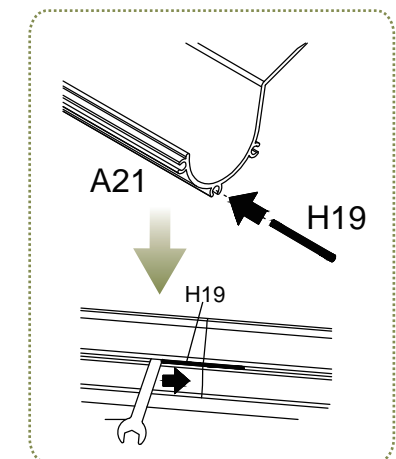
After each panel is installed and the sink is secured, apply some glass glue at the junction of the panel and the aluminum parts to prevent water leakage and strengthen stability.



1. Install H5 to A21



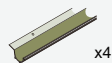
2. Assembly of gutters A21



3. Insert H19 into A21 and connect A21

List:

1 A21



x4

2 H11 ST4X10



x8

3 H7

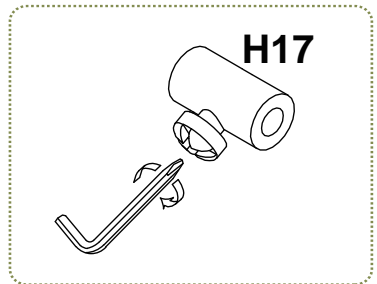
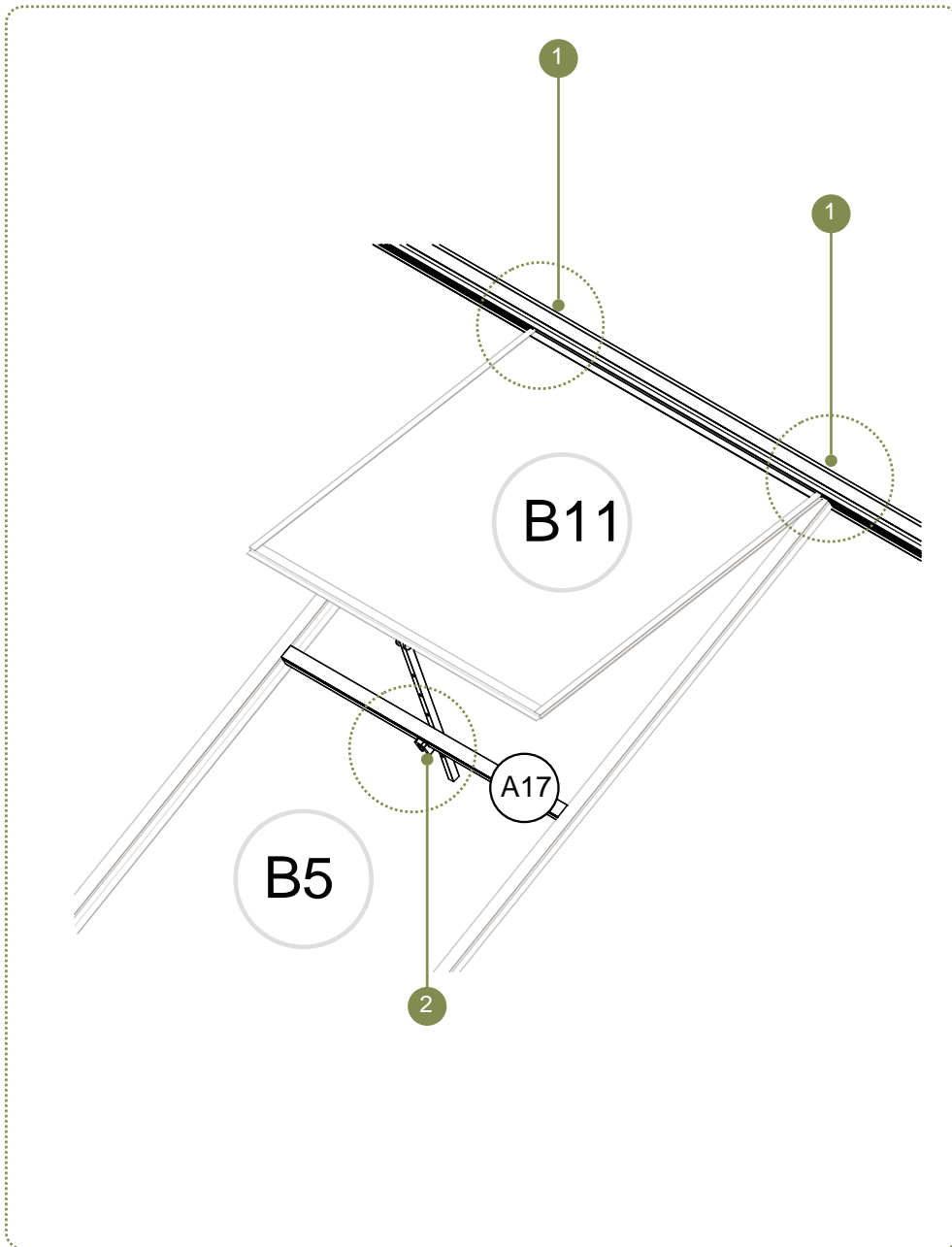


4 H13 ST5X16

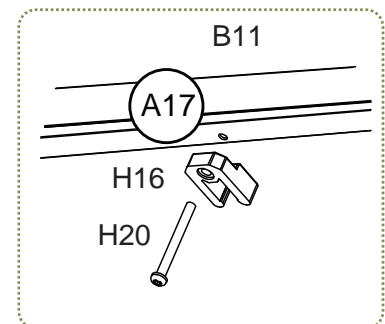


x12

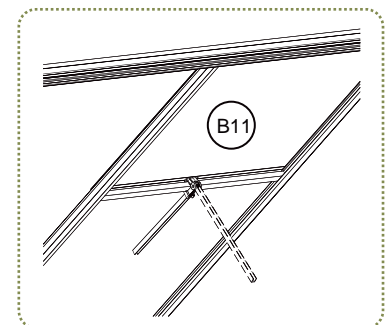
STEP 17 Installation of the Sunroof Fixing Rod



1. Move the H17 on both sides of the skylight to be right next to the skylight, and tighten the screws on the H17 to secure the position of the skylight.



2. Install H16 onto A17 and secure with H20



2. Adjust the sunroof fixing rod to the center point of the buckle

List:

1 H16



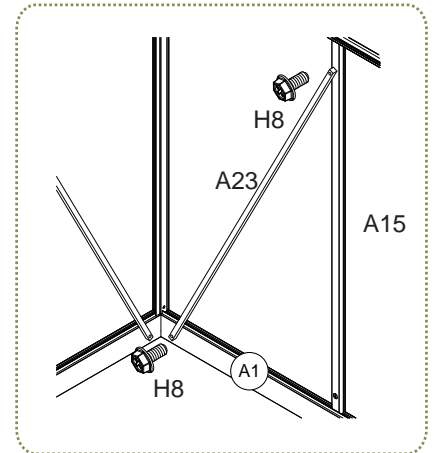
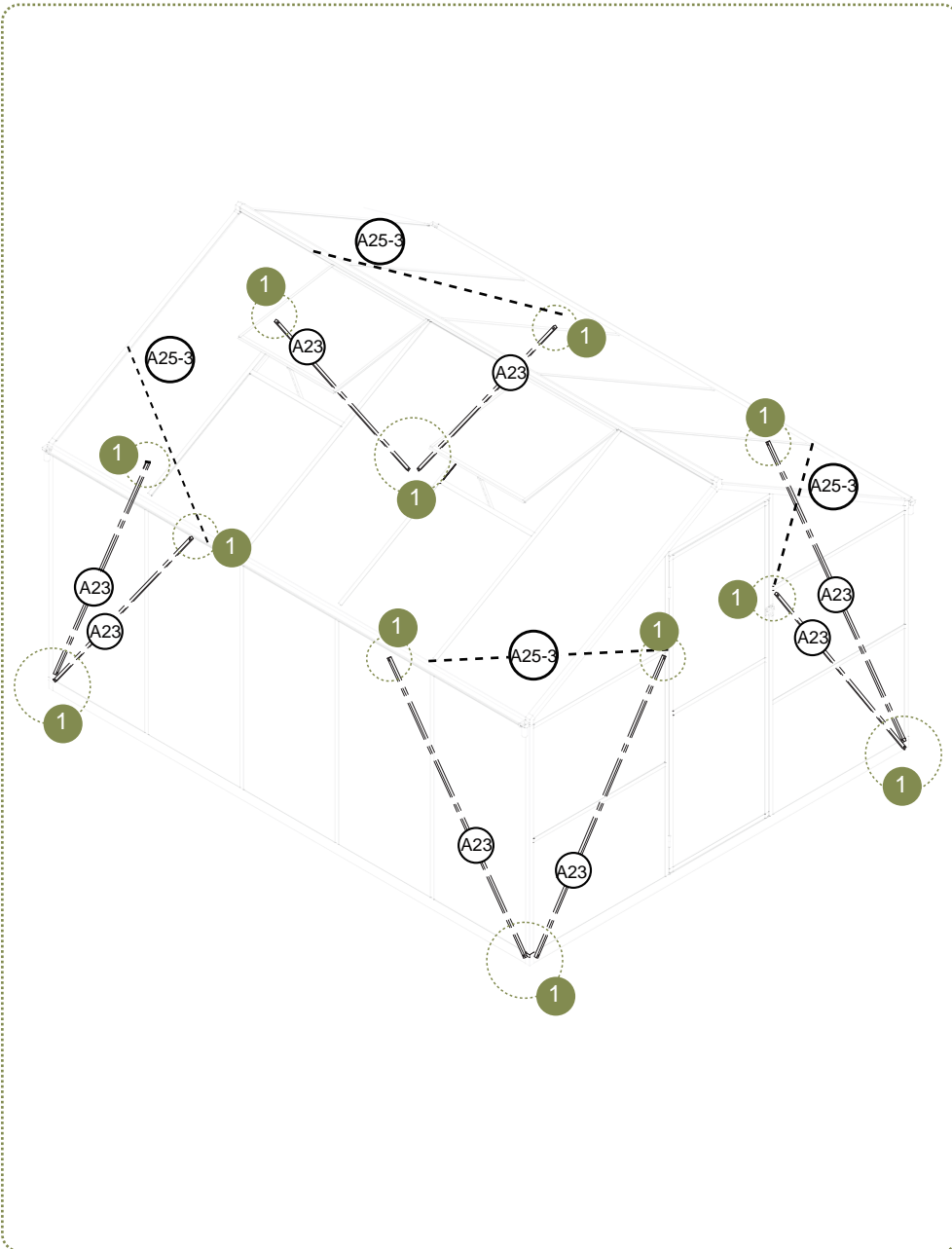
x2

2 H20 M4x38




x2

STEP 18 Installation of Support Rods

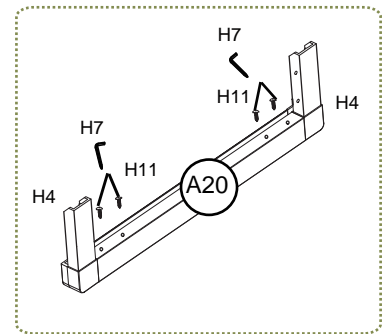
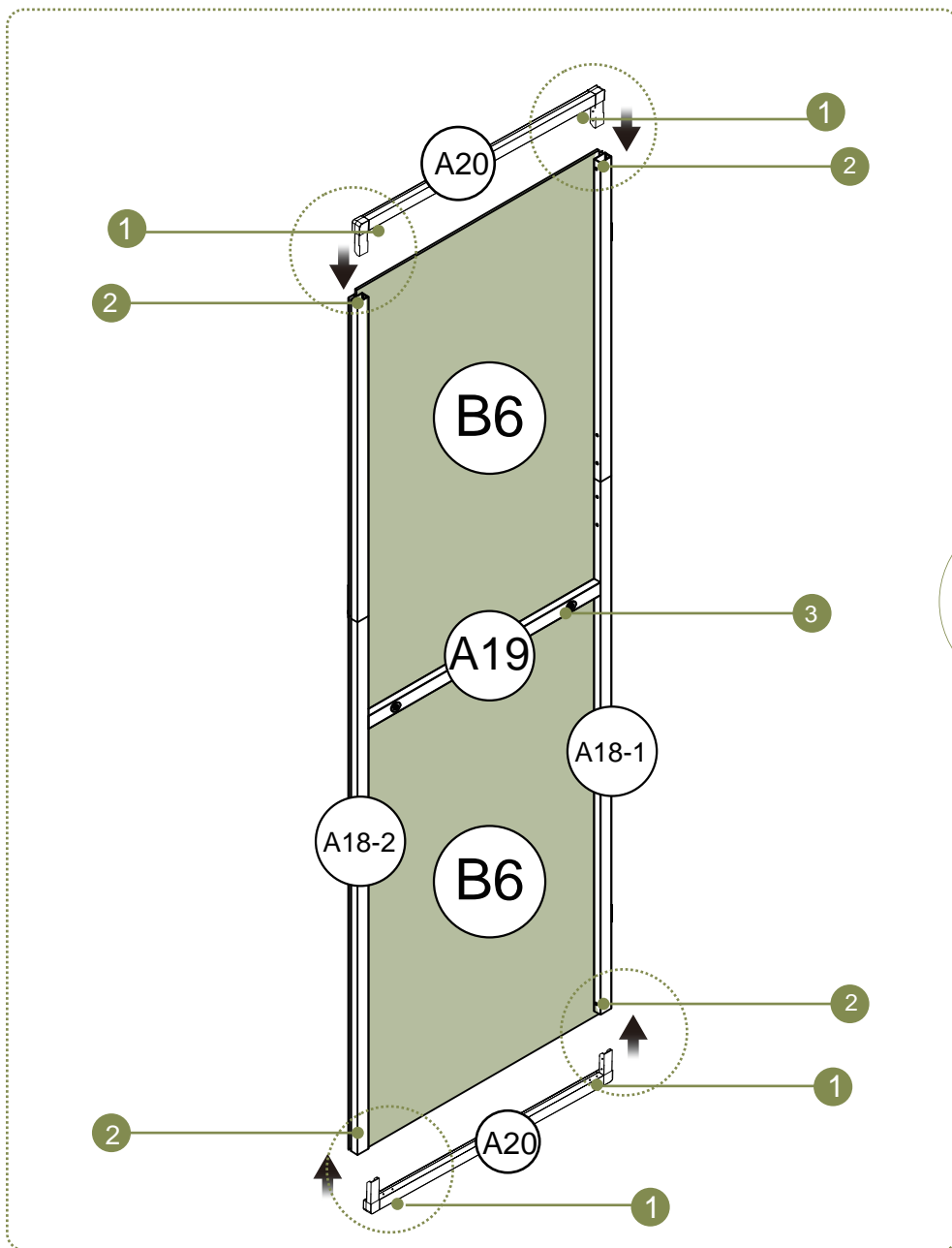


1. Secure the A23 support bar to A1(A2) and A15

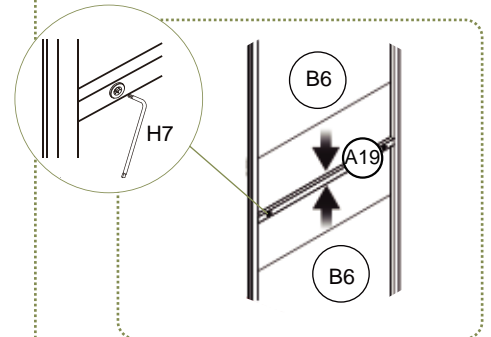
List:

- | | | |
|------------|---|-----|
| 1 A23 |  | x8 |
| 2 H8 M6x12 |  | x16 |
| 2 A25-3 |  | x4 |

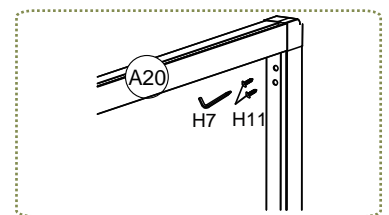
STEP 19 Installation of the Door frame



1. First, install H4 onto A20 and secure it with H11

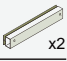








2. Fix one A19 onto the slot of A18 and lock it, then install B6, and finally insert B6

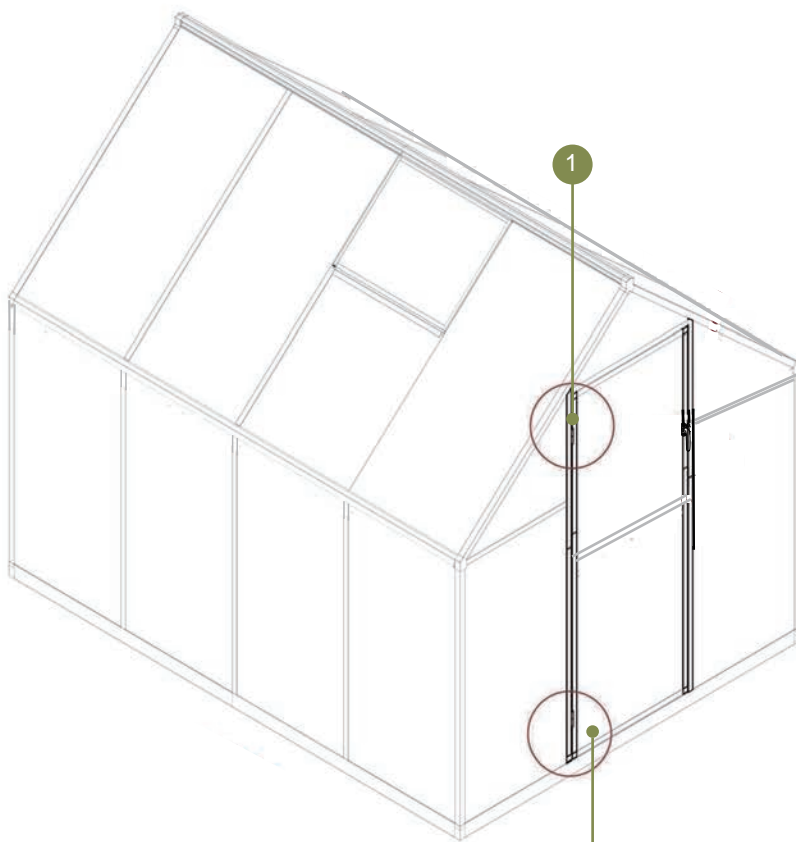


3. Tighten screw H11

List:

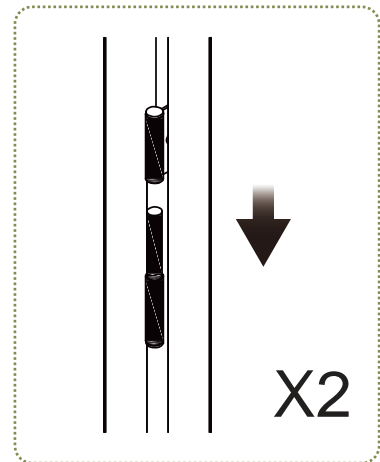
- | | | |
|--|---|---|
| 1 A20  x2 | 4 B6  x2 | 7 H7  |
| 2 A18-1  x1 | 5 H4  x4 | |
| 3 A18-2  x1 | 6 H11 St4x10  x4 | |

STEP 20 Installation of Door Hinges



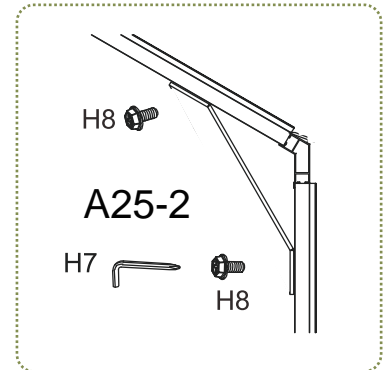
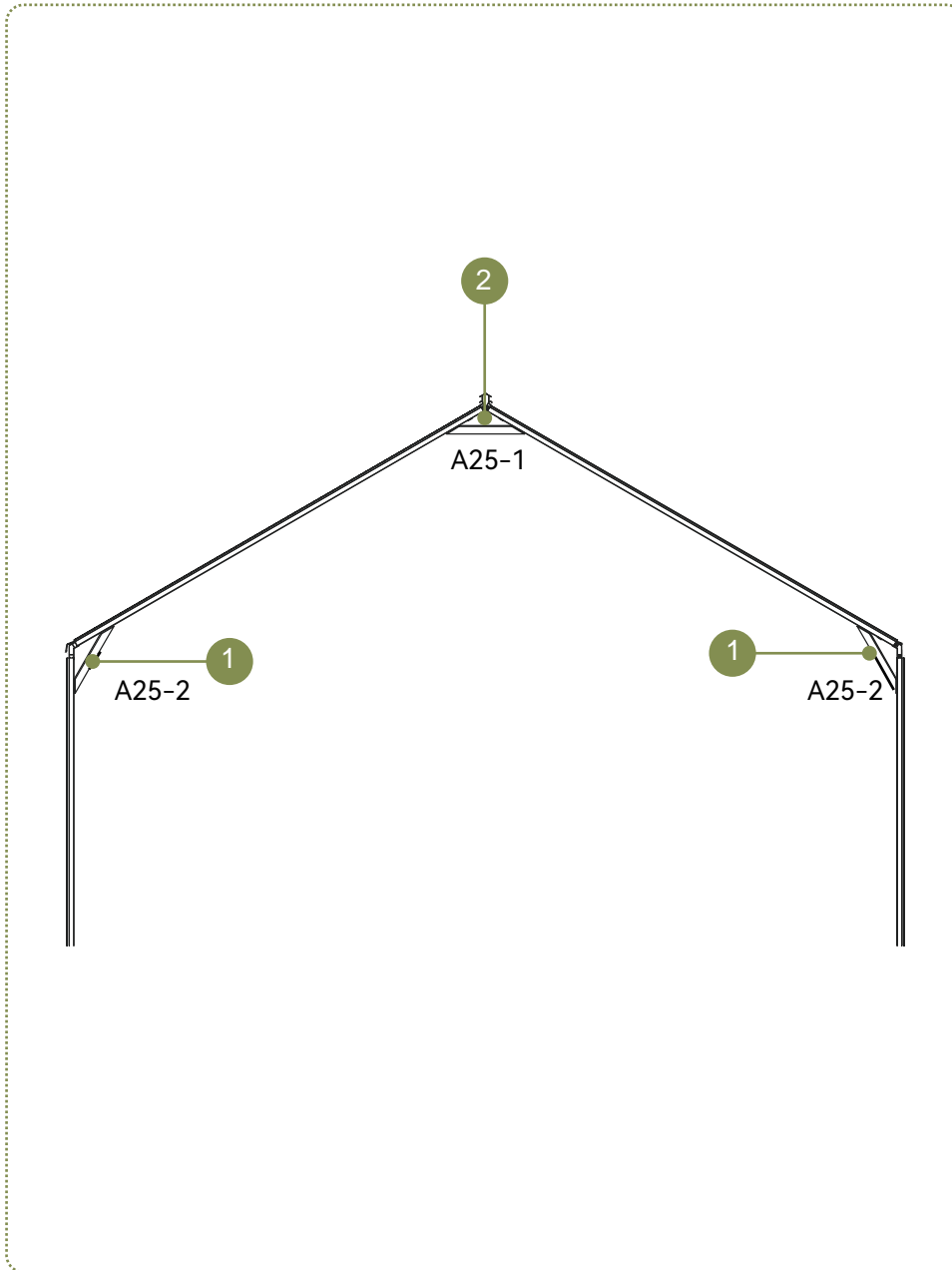
Tip: When installing the door, keep it open

1

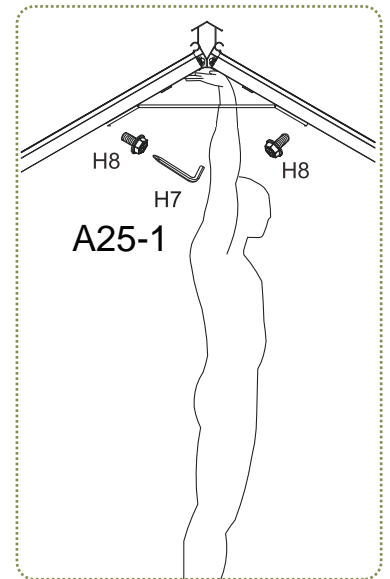


1. Install the door to the door frame, the installation steps are shown in the picture above

STEP 21 Installation of top and angular support rods

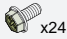


1. Install the A25-2 as shown in the figure and fix it by H8 (do not tighten the H8 screws for now).

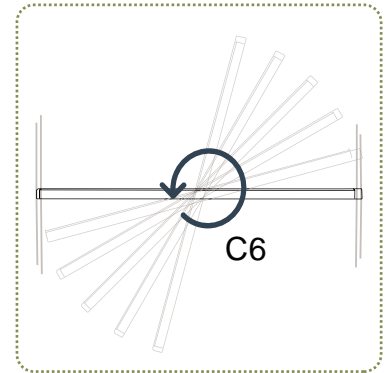
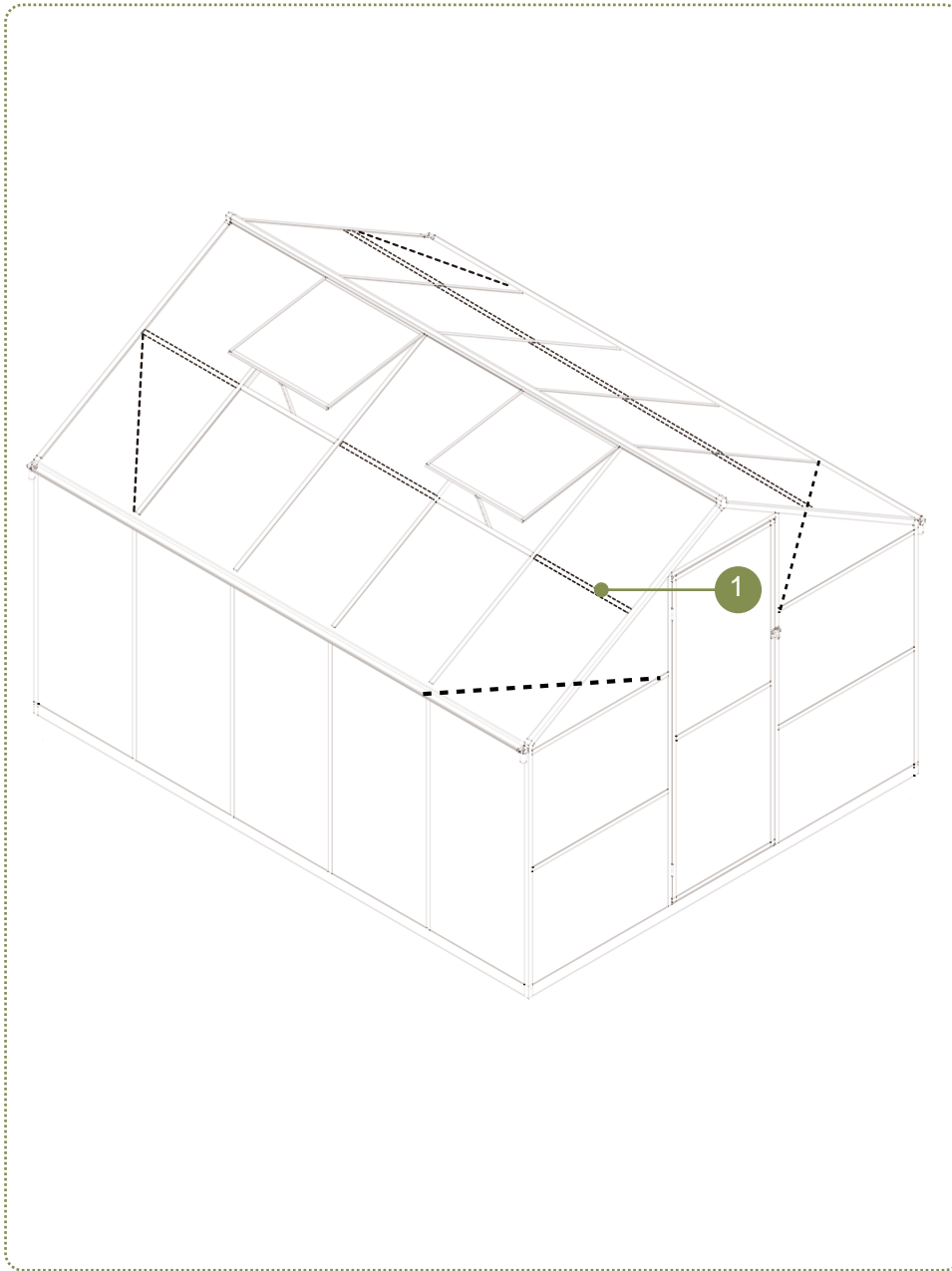


2. When installing A25-1, first use H8 to fix one end, then lift the roof up to align the holes, and then use H8 to fix the other end.

List:

- | | | |
|------------|---|-----|
| 1 A25-1 |  | x4 |
| 2 A25-2 |  | x8 |
| 3 H7 |  | |
| 4 H8 M6x12 |  | x24 |

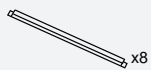
STEP 22 Installation of roof panel support rods



1. C6 Iron bars are fitted inside the conservatory to hold the frame in place the C6 installs by hand with tool-free assembly.

List:

1 C6





Maintenance

1. Why is it important to clean the PC board regularly?

To protect the UV coating:

PC panels typically have a UV-protective coating. Without regular cleaning, buildup of dust, bird droppings, acid rain, and other pollutants can wear down this layer over time, leading to yellowing, brittleness, and faster aging of the material.

To maintain light transmittance:

Accumulated dirt can obstruct light, potentially reducing transmittance by 10%–30%. This may interfere with sunlight exposure in sunrooms, affecting plant growth and temperature control.

To prevent chemical corrosion:

Bird droppings and industrial pollutants often contain acidic substances that can directly corrode the surface of the panel, leaving permanent stains or causing micro-cracks.

To avoid mechanical damage:

When sand, gravel, or other hard particles adhere to the surface, strong winds or heavy rain can cause them to scrape against the panel, potentially leading to scratches and reduced impact resistance.

2. The Downside of Not Cleaning

Question Type	Specific impact	Long-term risks
Light Transmission Reduction	As natural light decreases, supplemental lighting may be needed, resulting in higher energy usage.	Reduced light transmittance can hinder plant photosynthesis and decrease the efficiency of indoor temperature regulation.
Accelerated Aging	The panel may yellow and become brittle, reducing its lifespan from 10–15 years to as little as 5–8 years.	The structural strength may decline, making the panel more prone to cracking or deformation.
Reduced Appearance	Stains on the surface can make the building look less appealing.	The longer stains stay, the harder they are to clean—and some may become permanent.
Loss Of Function	Reduced heat insulation and impact resistance.	Higher risk of damage during extreme weather, such as hail or storms.



Maintenance

3. Recommended Cleaning Guide

Frequency:

• Clean every 3-6 months.

(Clean more often - every 1-2 months - if you live in a dusty area, rainy climate, or near industrial sites).

How to Clean:

1. Wipe with a soft cloth or sponge soaked in warm water and a mild detergent (like dish soap).
2. For stubborn stains, gently wipe with isopropyl alcohol; avoid strong solvents such as acetone or ammonia.
3. When rinsing, avoid using high-pressure water jets directly on the surface to prevent coating damage.

Important Don'ts:

- ✘ **Hard brushes and steel wool can scratch the surface.**
- ✘ **Dry wiping can worsen scratches due to increased friction.**