

ASSEMBLY INSTRUCTIONS
COASTER FINE FURNITURE



Fine Furniture for every stage of life

180200 (B1&B2)
Dining Table

ITEM: 180200(B1&B2)



ASSEMBLY INSTRUCTIONS

ASSEMBLY TIPS:

1. Remove hardware from box and sort by size.
2. Please check to see that all hardware and parts are present prior to start of assembly.
3. Please follow attached instructions in the same sequence as numbered to assure fast & easy assembly.



WARNING!

1. Don't attempt to repair or modify parts that are broken or defective. Please contact the store immediately.
2. This product is for home use only and not intended for commercial establishments.



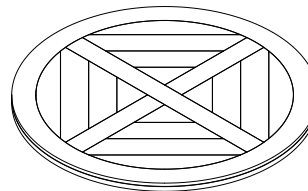
ASSEMBLY TIME

20 MINUTES

PART IDENTIFICATION

B1 (BOX 1)

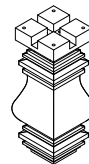
AN TOP



1PC

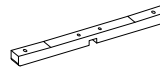
B2 (BOX 2)

BN PEDESTAL COLUMN



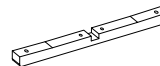
1PC

CN UPPER MOUNTING BAR



1PC

DN LOWER MOUNTING BAR



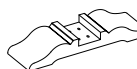
1PC

EN UPPER BASE



1PC

FN LOWER BASE



1PC

ITEM: 180200(B1&B2)



ASSEMBLY INSTRUCTIONS

ASSEMBLY TIPS:

1. Remove hardware from box and sort by size.
2. Please check to see that all hardware and parts are present prior to start of assembly.
3. Please follow attached instructions in the same sequence as numbered to assure fast & easy assembly.


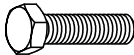
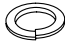




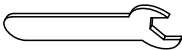



WARNING!

1. Don't attempt to repair or modify parts that are broken or defective. Please contact the store immediately.
2. This product is for home use only and not intended for commercial establishments.

HARDWARE IDENTIFICATION

Z-B1 (BOX 1) - HARDWARE PACK IS LOCATED IN 180200 (B1)

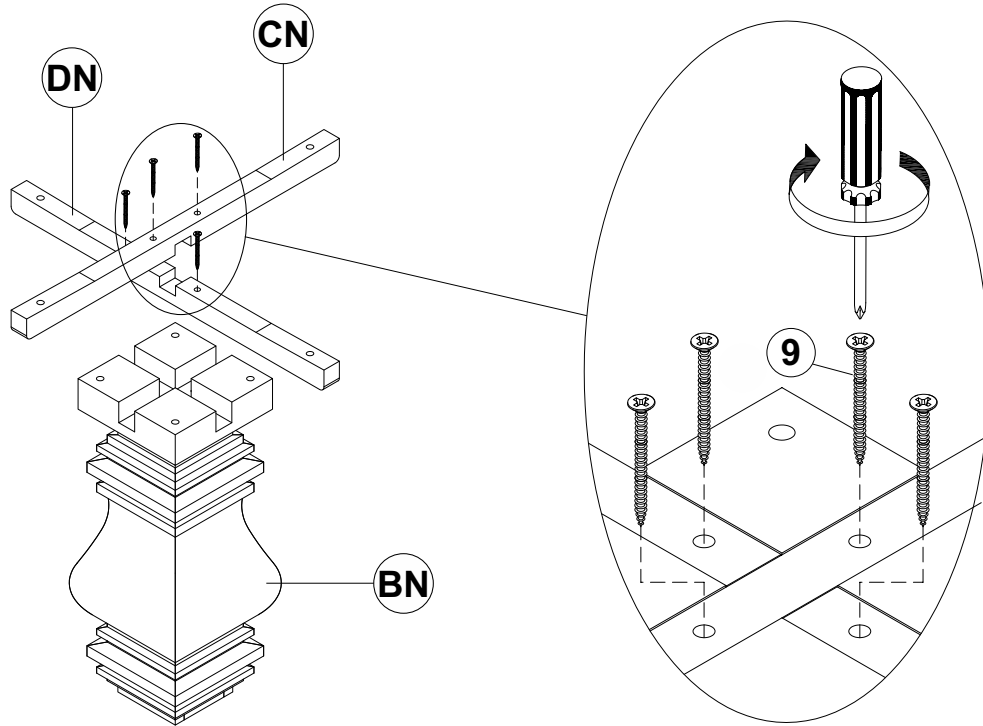
1	LONG BOLT (5/16" x 75mm - BLK)		4PCS
2	SHORT BOLT (5/16" x 55mm - BLK)		4PCS
3	LOCK WASHER (1.6 x 14mm - BLK)		12PCS
4	SMALL FLAT WASHER (1 x 18mm - BLK)		8PCS
5	BIG FLAT WASHER (2 x 25mm - BLK)		4PCS
6	THREADED BOLT (5/16" x 125mm - WHT)		4PCS
7	HEX NUT (5/16" x 12 - BLK)		4PCS
8	WRENCH (M12 - WHT)		1PC
9	FLAT HEAD SCREW (8 x 50mm - BLK)		4PCS

NOTE :

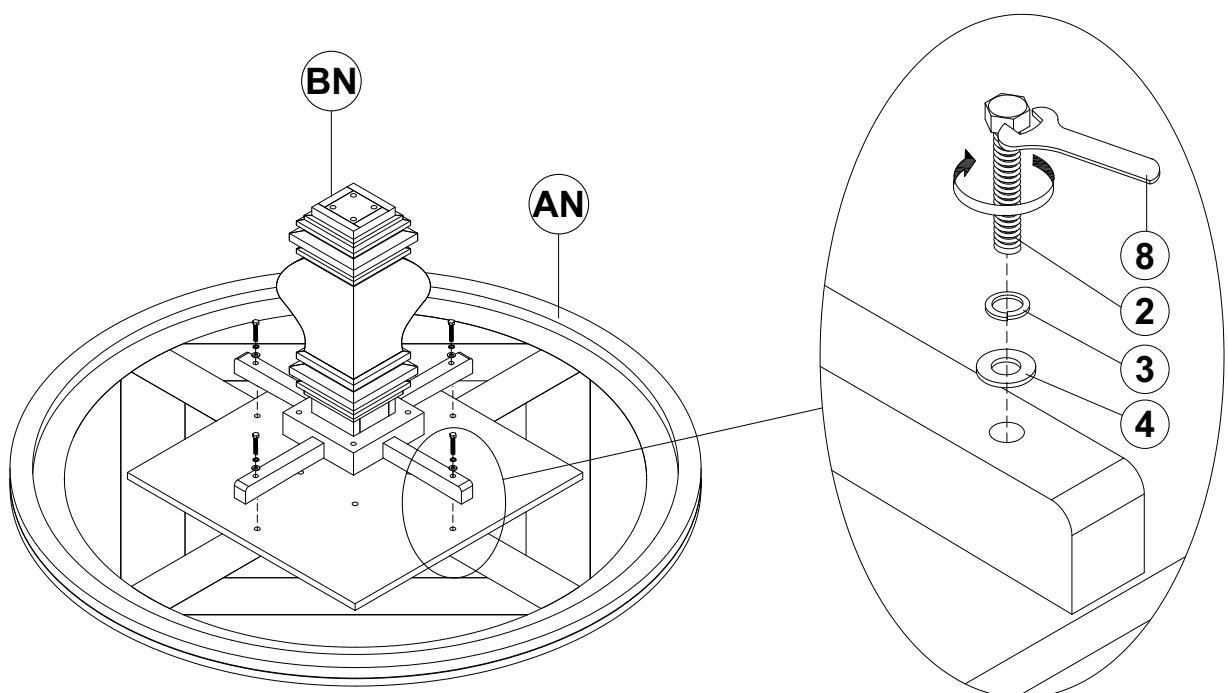
Phillips head screw driver is required in the assembly process; however, manufacturer does not

ITEM: 180200(B1&B2)

ASSEMBLY INSTRUCTIONS



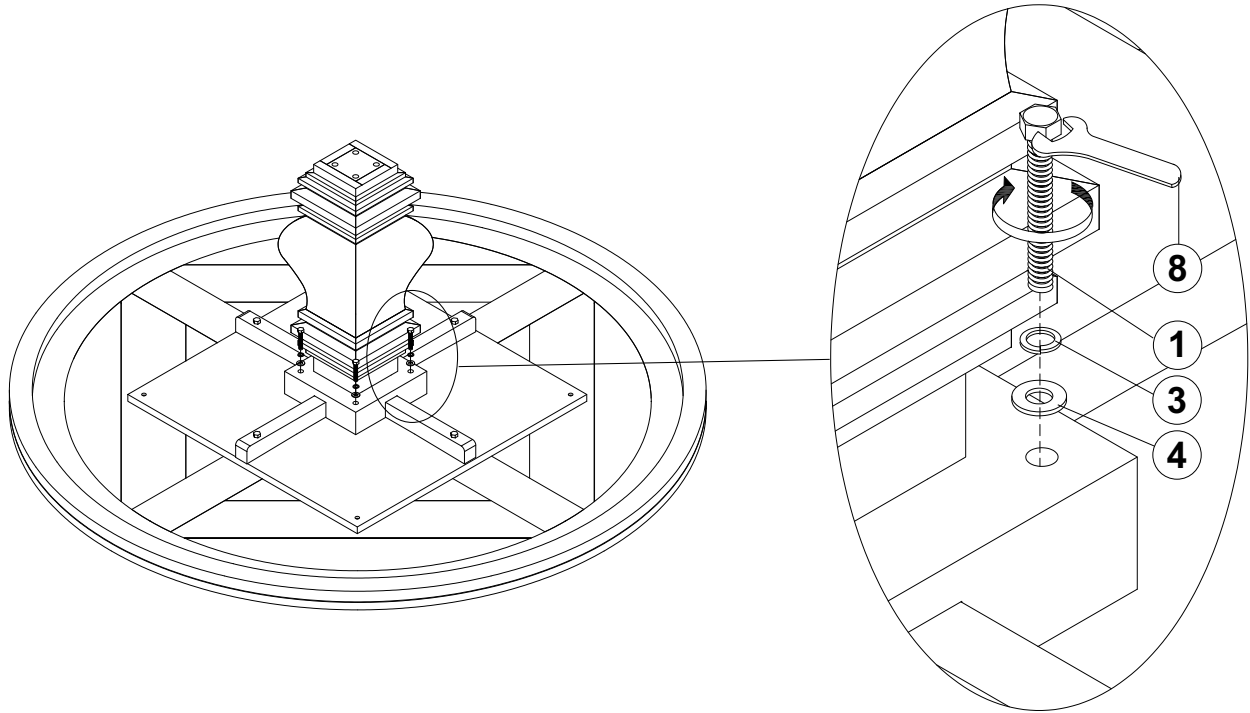
STEP 2



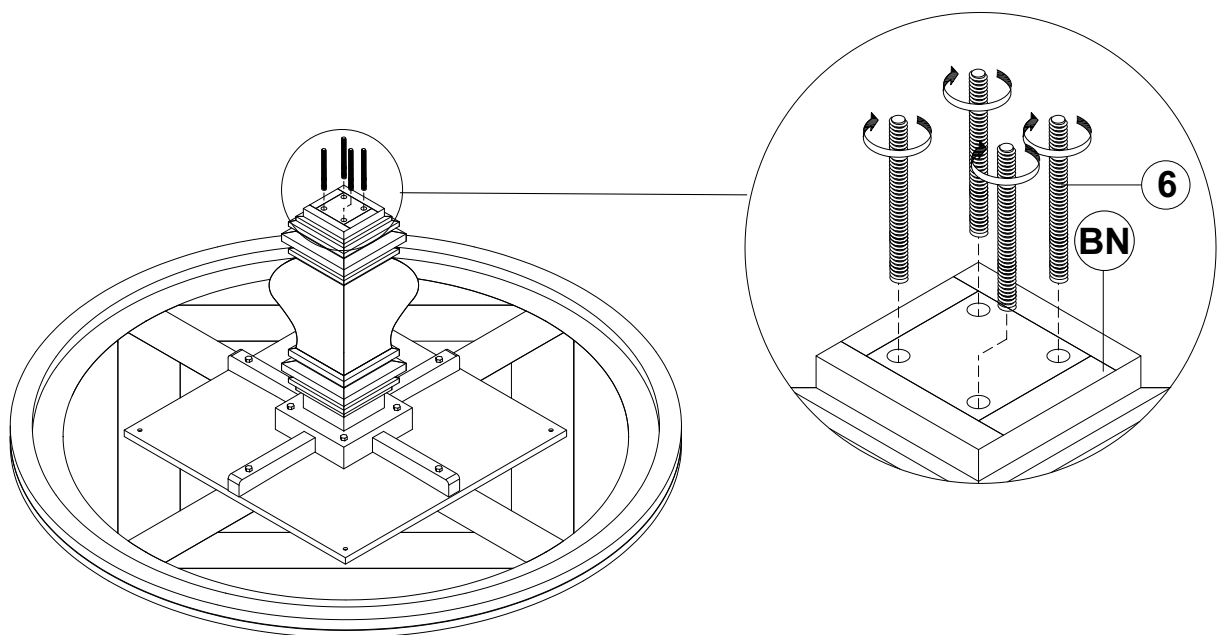
ITEM: 180200(B1&B2)

ASSEMBLY INSTRUCTIONS

STEP 3



STEP 4

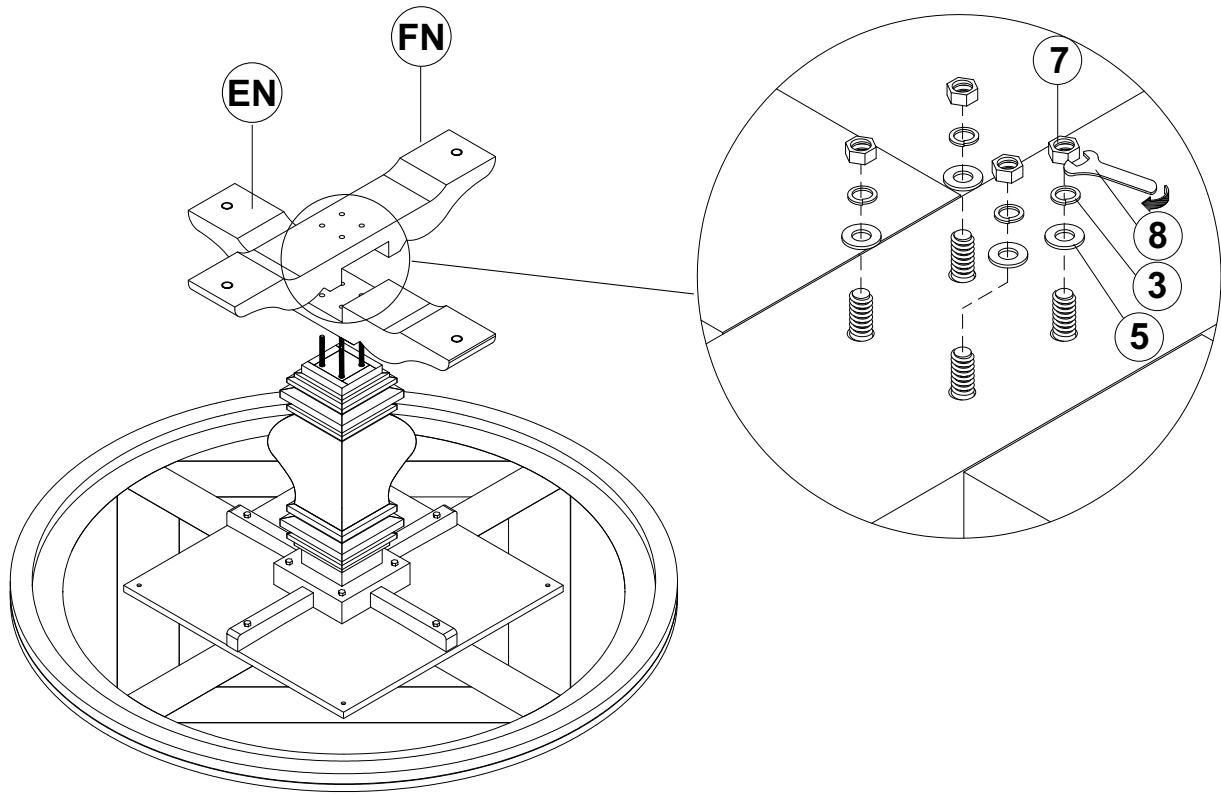


ITEM: 180200(B1&B2)

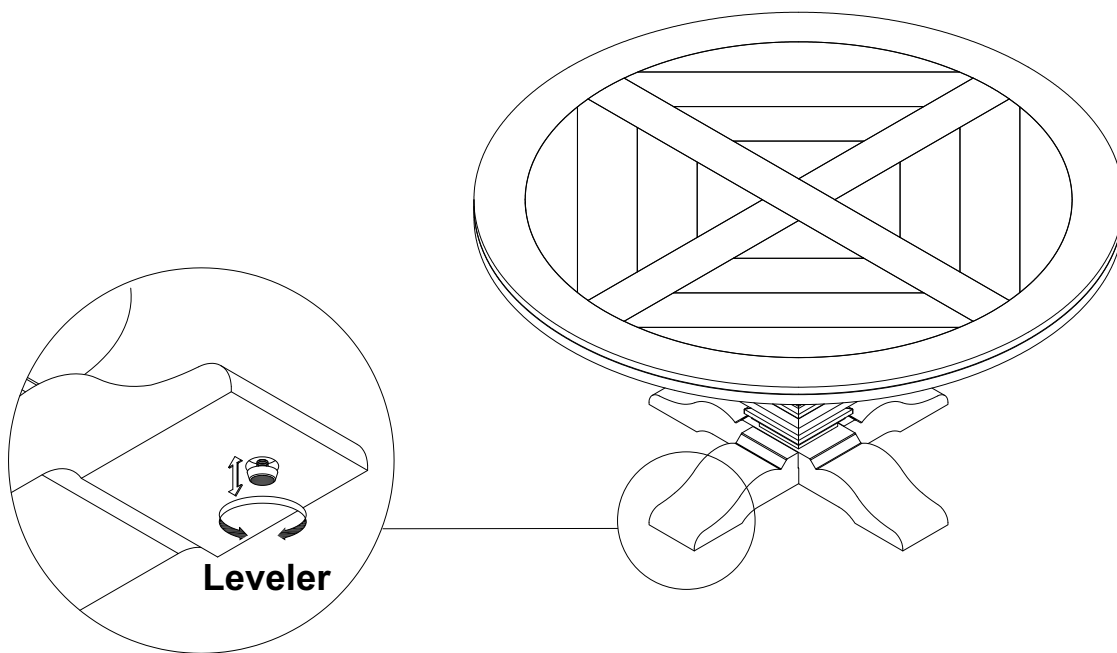
ASSEMBLY INSTRUCTIONS



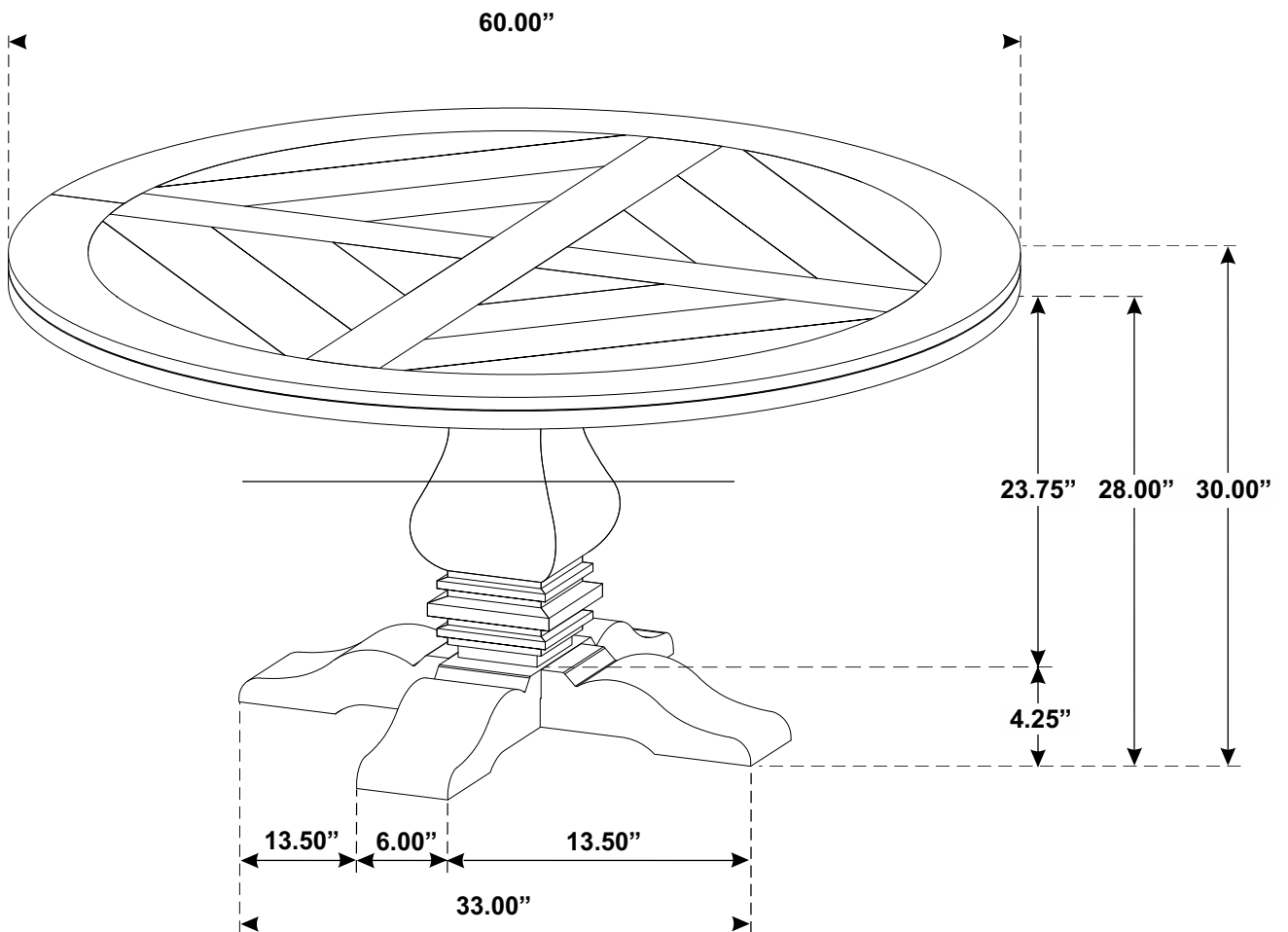
STEP 5



STEP 6 COMPLETE



ITEM: **180200(B1&B2)**



Note: Dimension tolerance $\pm 5\%$