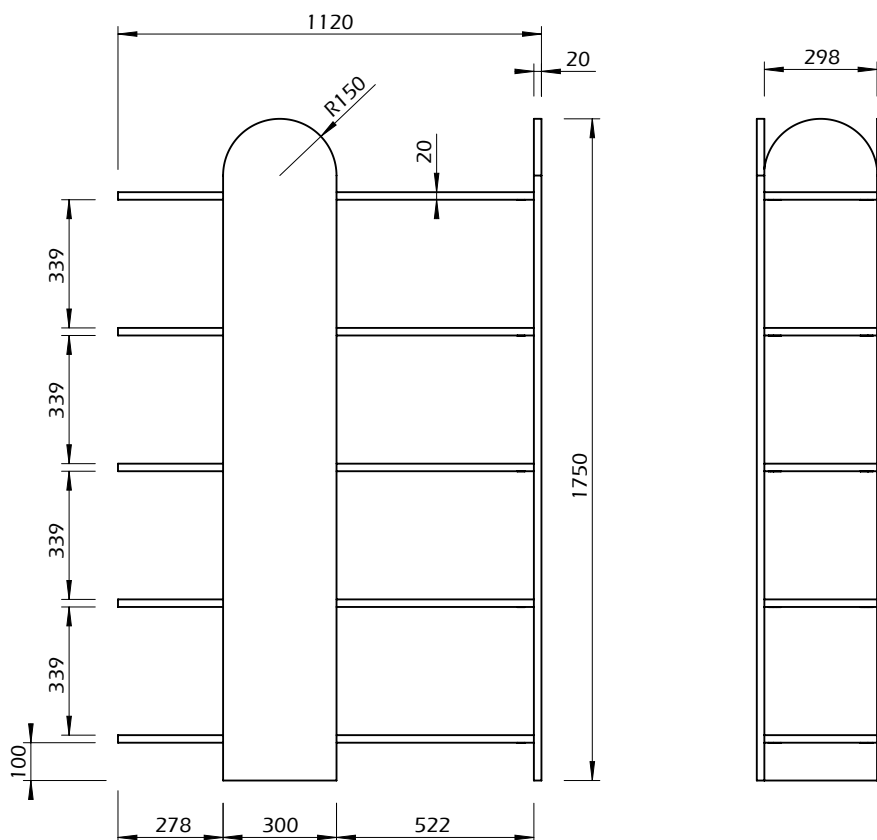
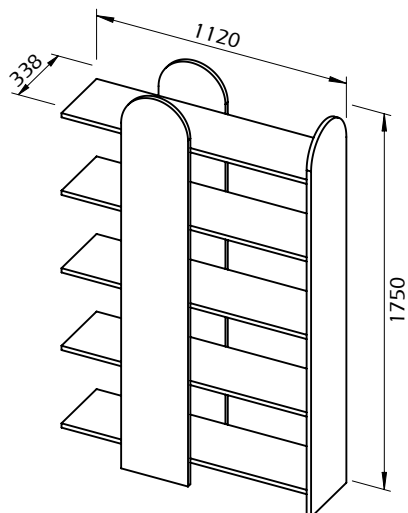
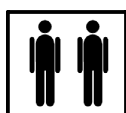


Technical Information

VENICE - BOOKCASE



60min



50kg

