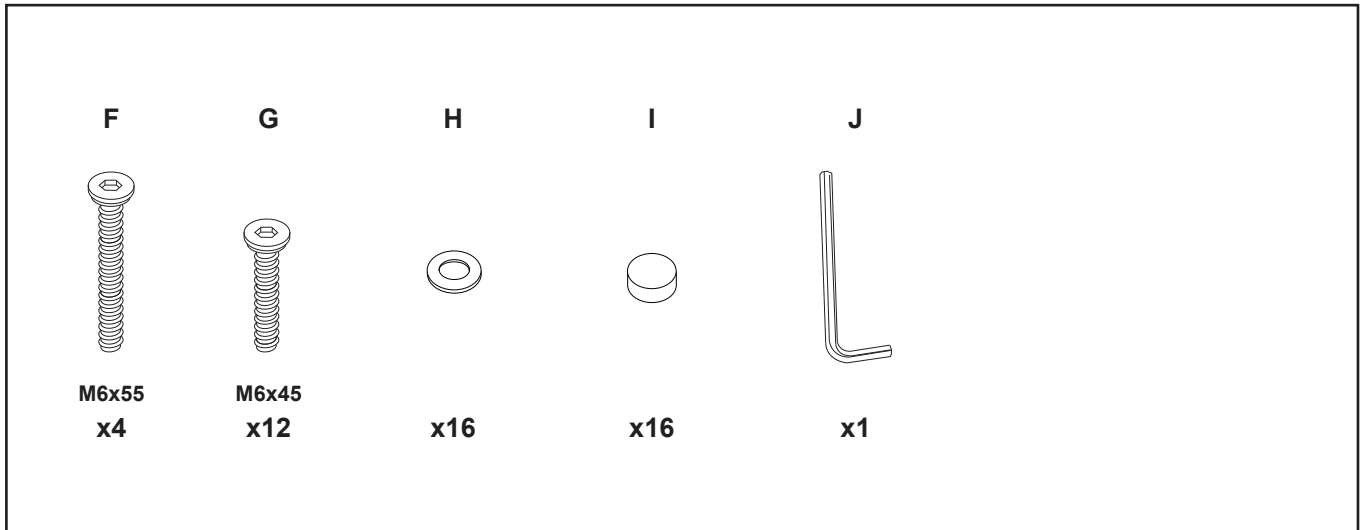
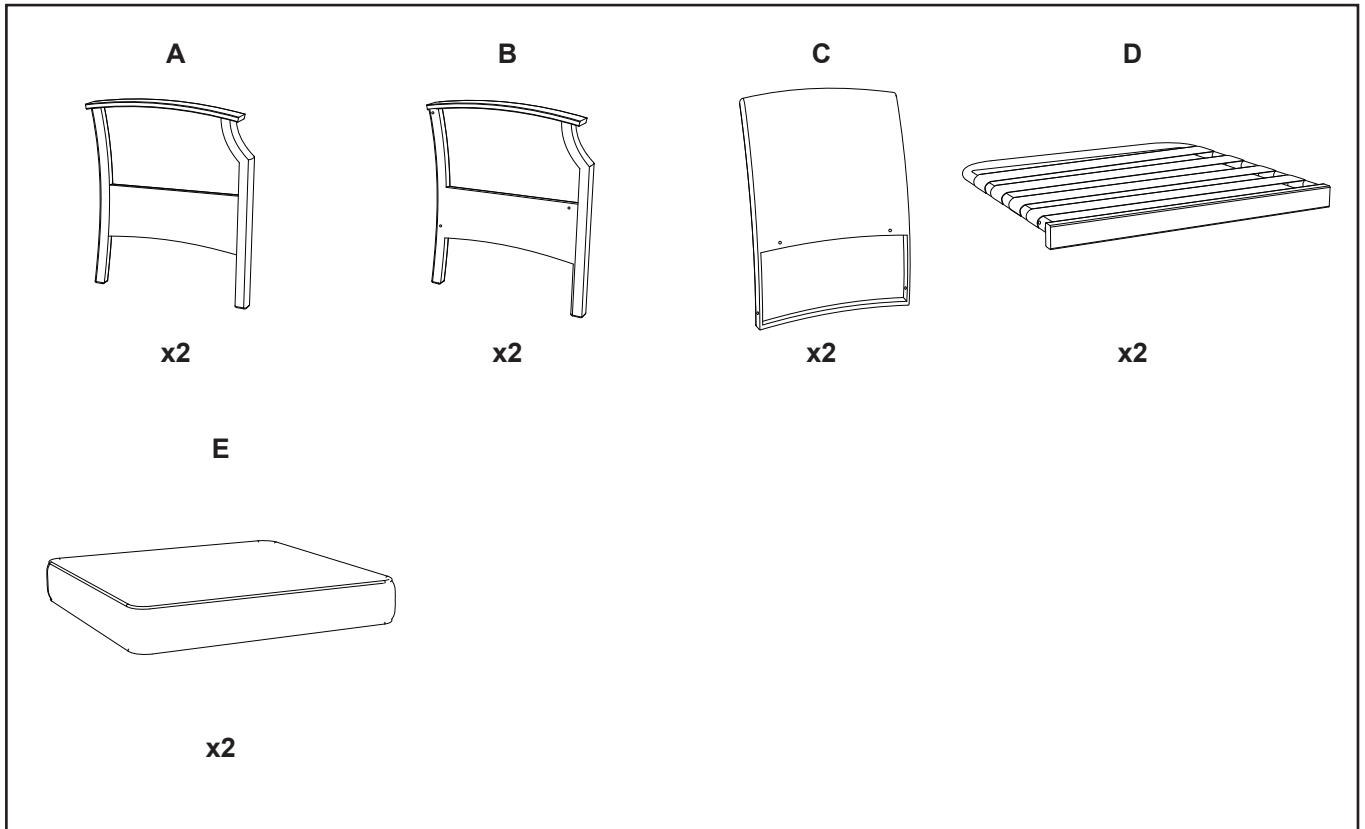
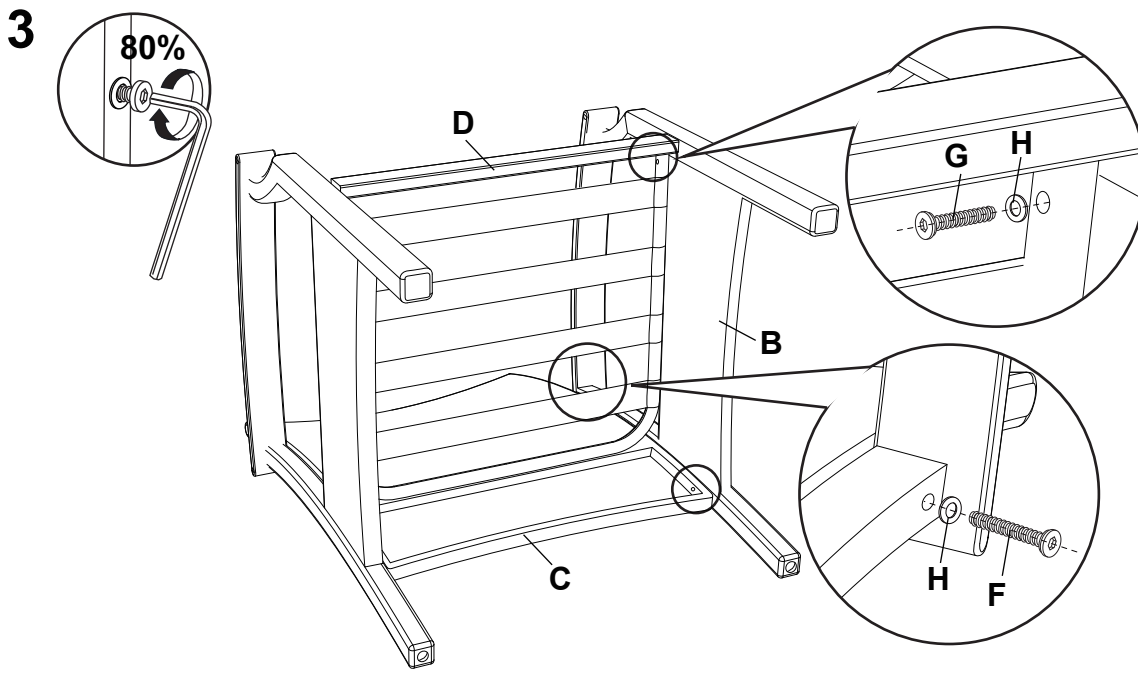
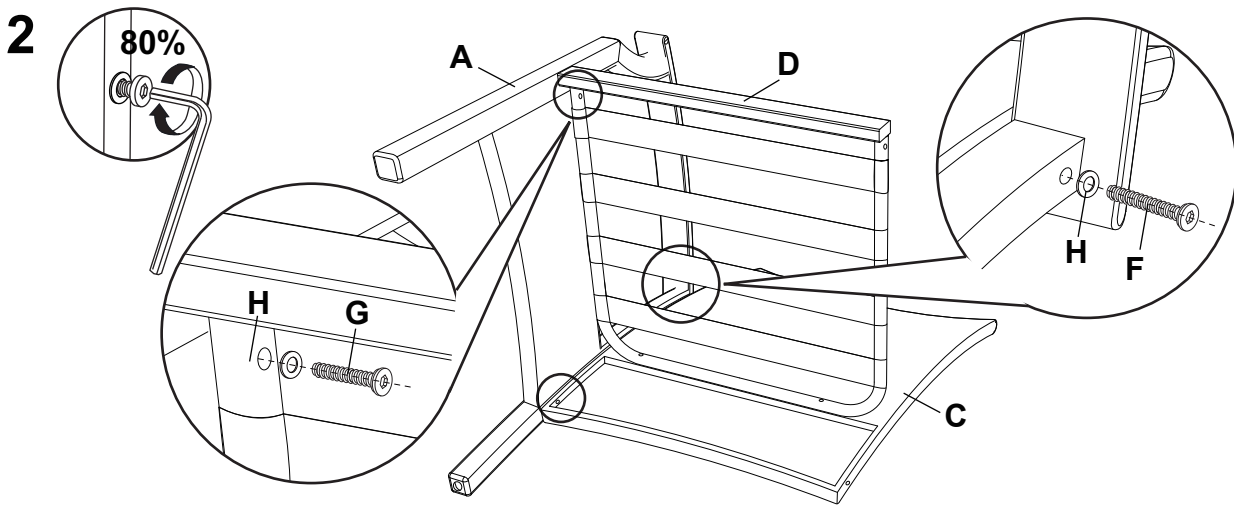
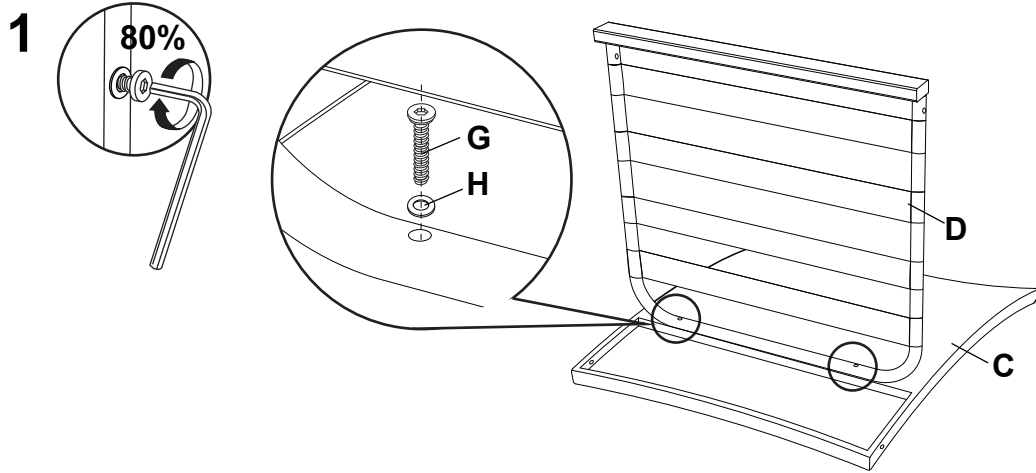
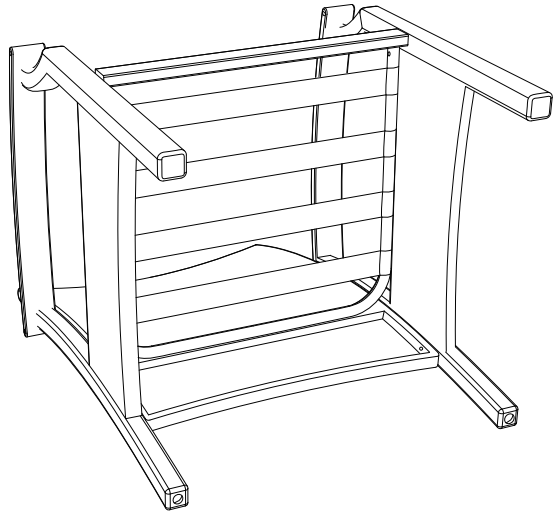
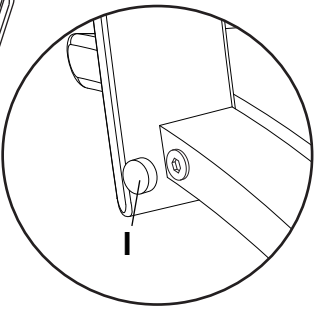
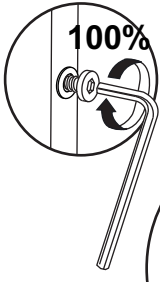


GRANDPATIO

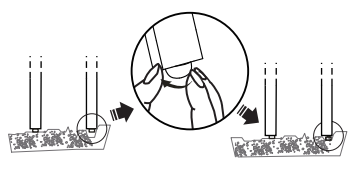
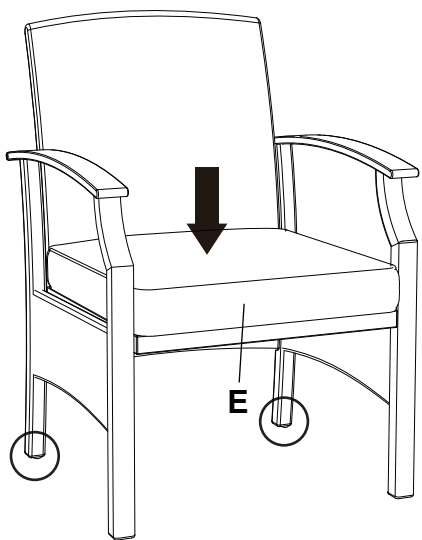




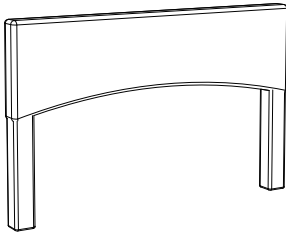
4



5

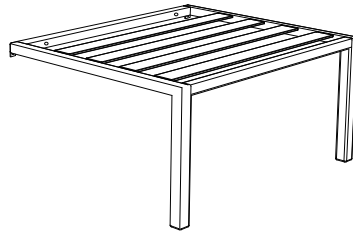


A



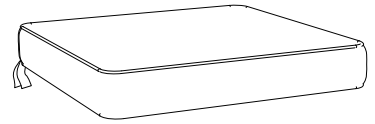
x2

B



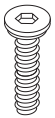
x2

C



x2

D



M6x30
x8

E



x8

F



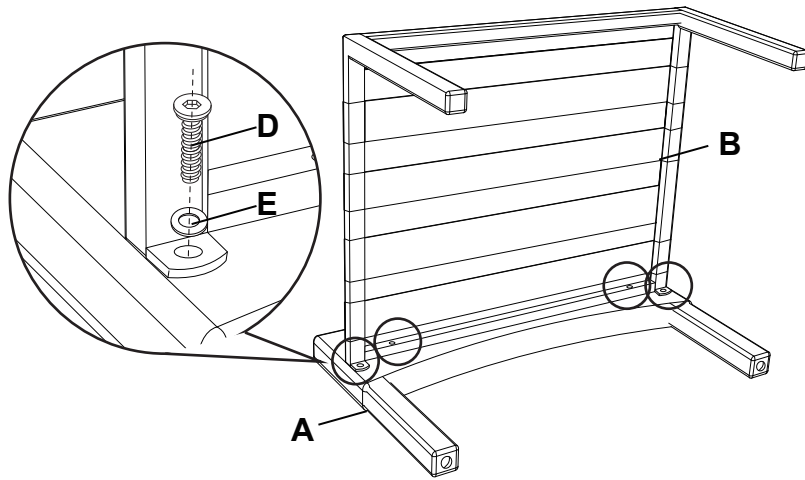
x8

G

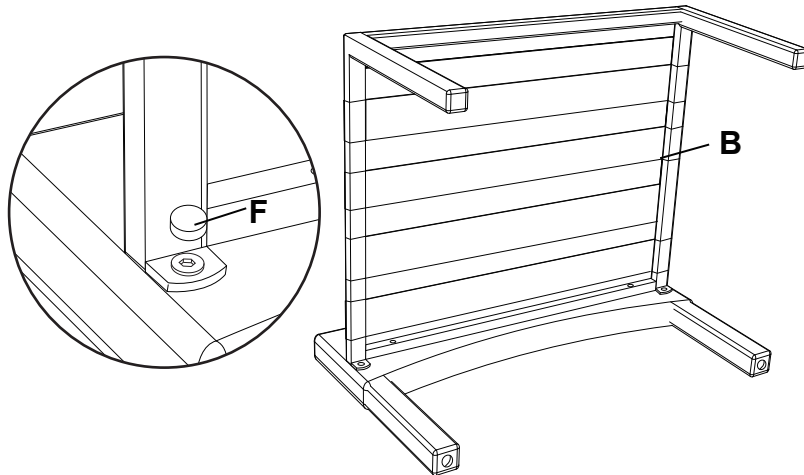


x1

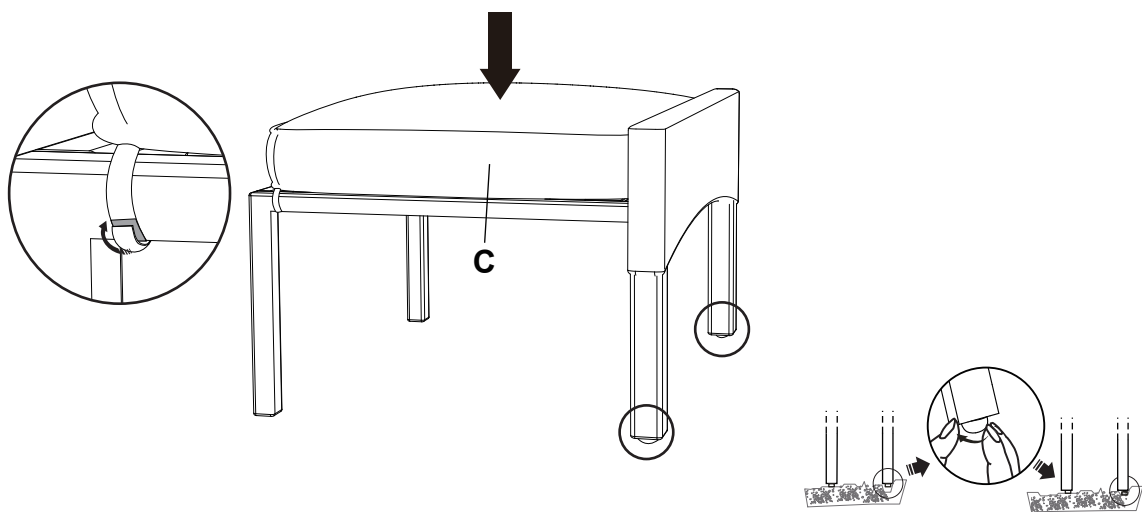
1



2



3



A



x1

B



x4

C



M6x15
x16

D



x16

E



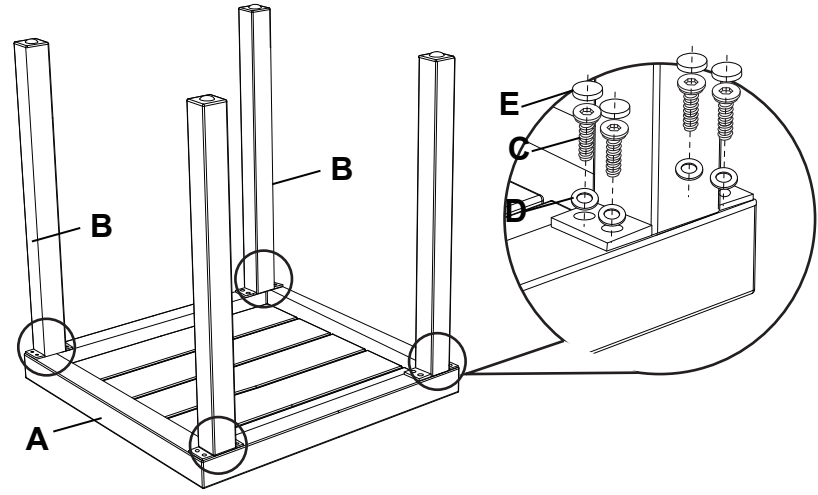
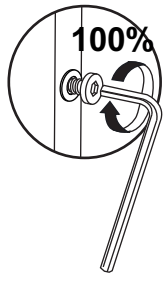
x16

F



x1

1



2

