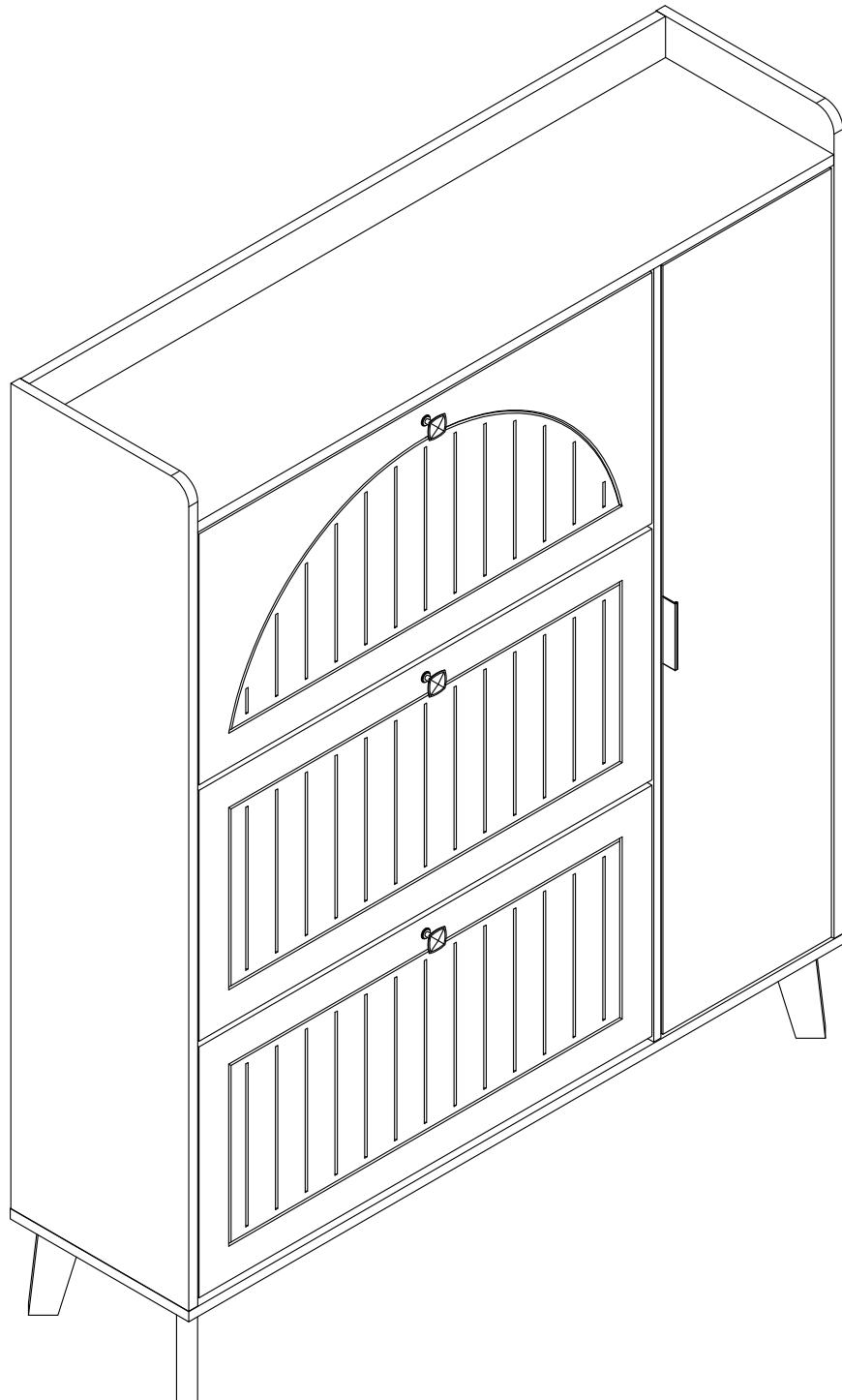












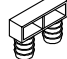












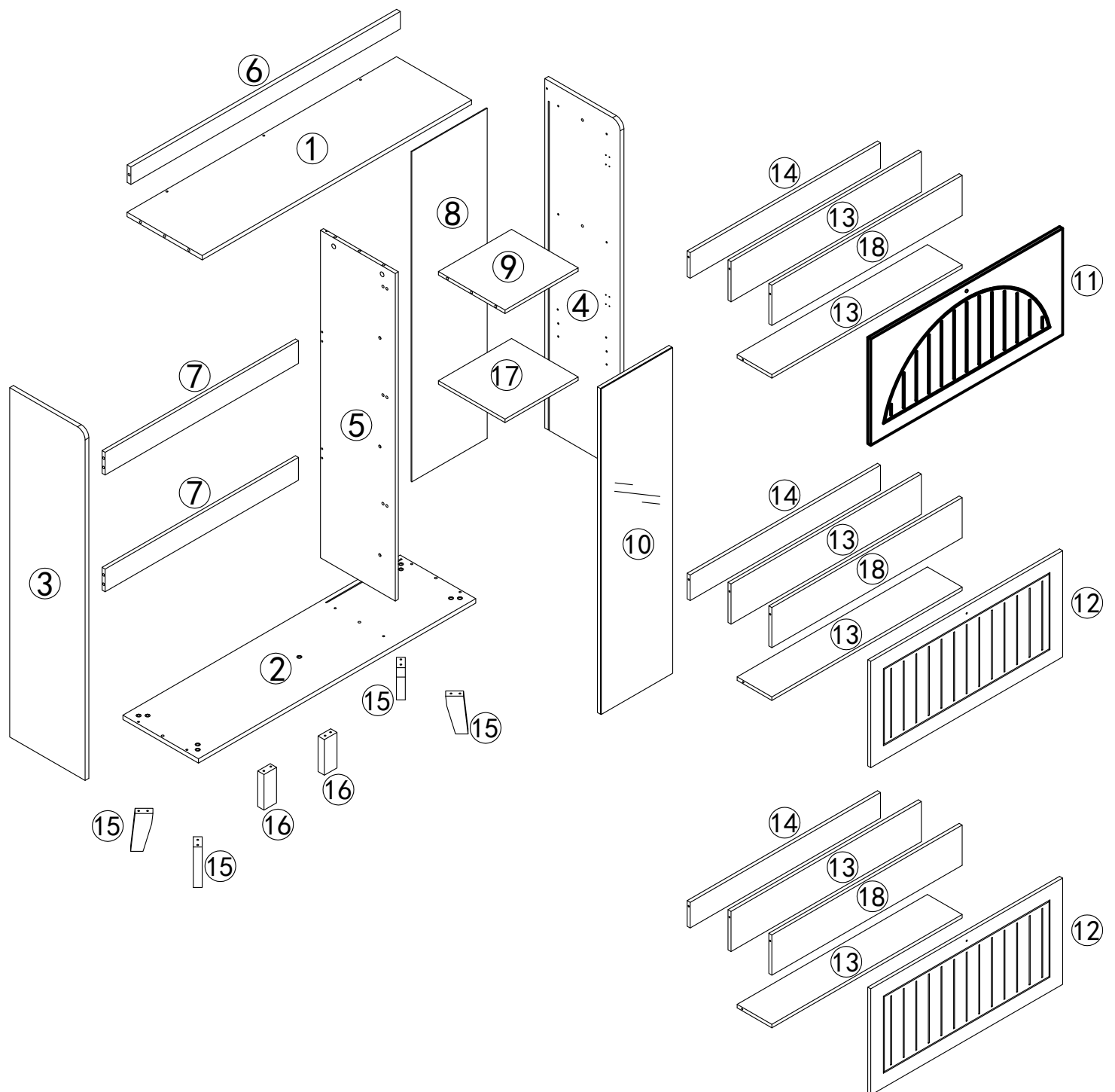
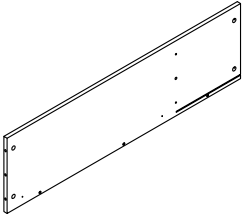
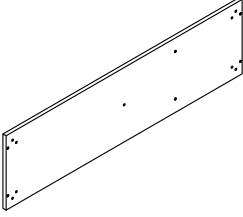
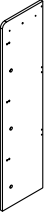


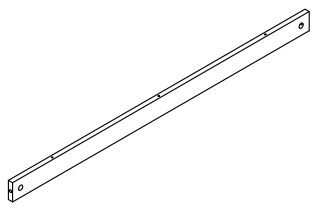
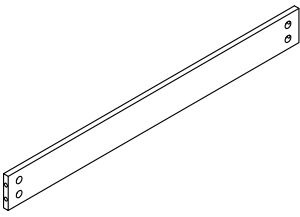
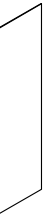
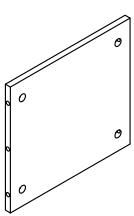



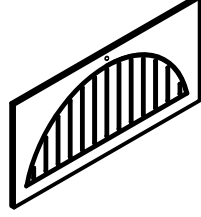
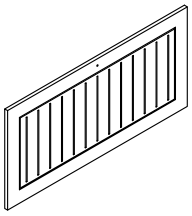
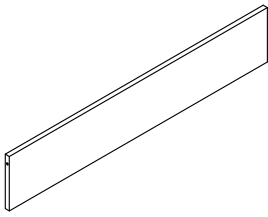
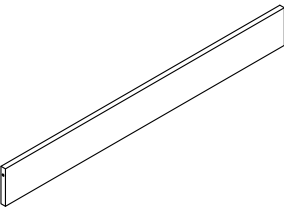


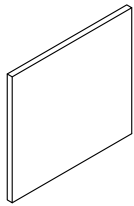
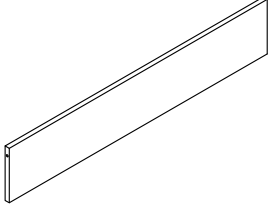
Assembly Instruction



A	X20	B	X20	C	X2	D	X8	E	X6	F	X60	G	X2	H	X3	I	X3
																	
M6x35mm				M4x35mm				M6x15mm		M3.5x14mm		M4x12mm		M4x16mm			
J	X2	K	X2	M	X6	O	X6	P	X4	Q	X4	S	X9	T	X2	U	X3
																	
										M3x16mm		M5x40mm		M6x15mm			
V	X12	W	X1	X	X2	Y	X1	Z	X4	L	X3	R	X3				
																	
M7x50mm		4mm		M3.5x12mm													

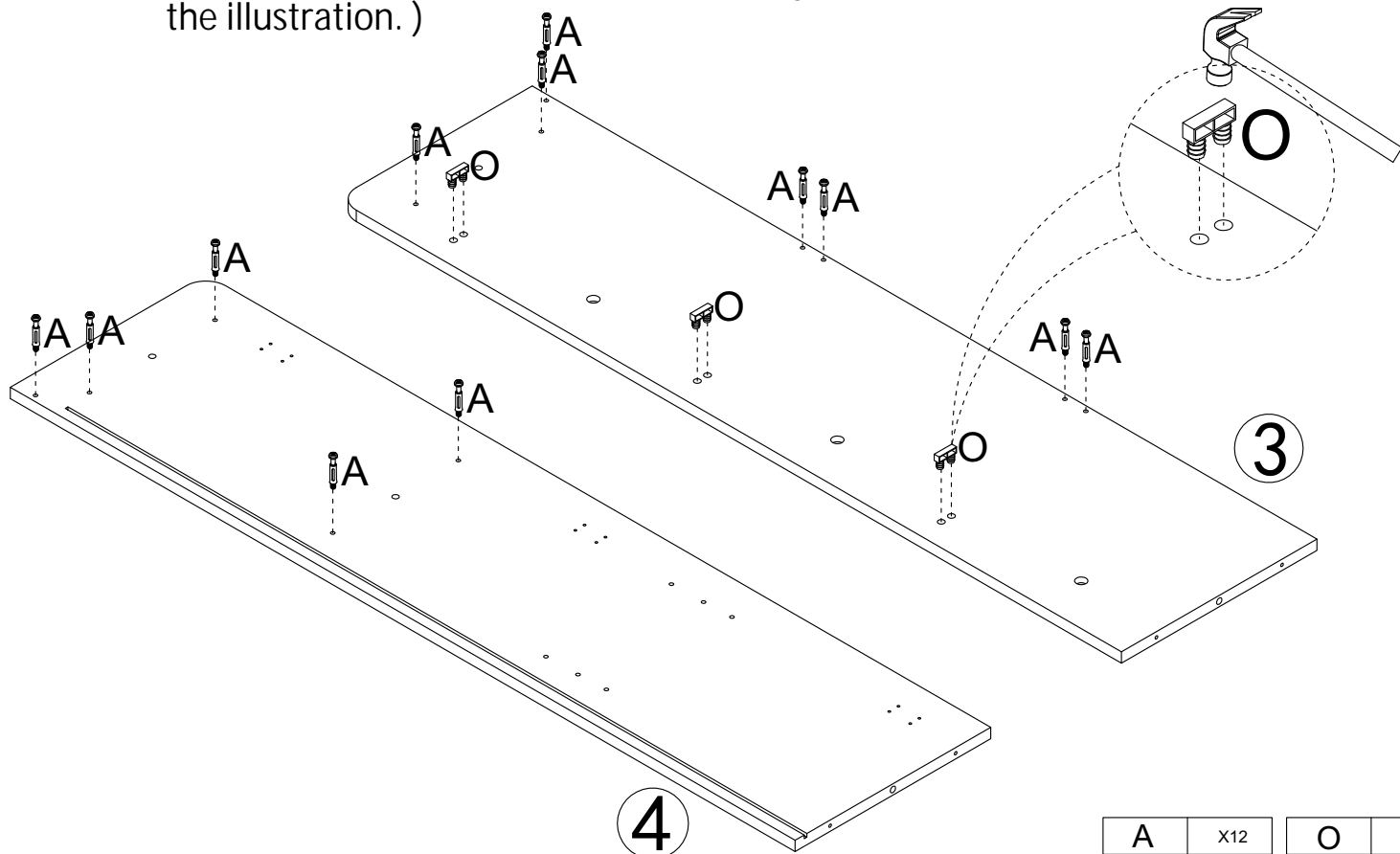


Package Contents	NO.	Qty
	①	1
	②	1
	③	1
	④	1
	⑤	1
	⑥	1
	⑦	2
	⑧	1
	⑨	1

Package Contents	NO.	Qty
	⑩	1
	⑪	1
	⑫	2
	⑬	6
	⑭	3
	⑮	4
	⑯	2
	⑰	1
	⑱	3

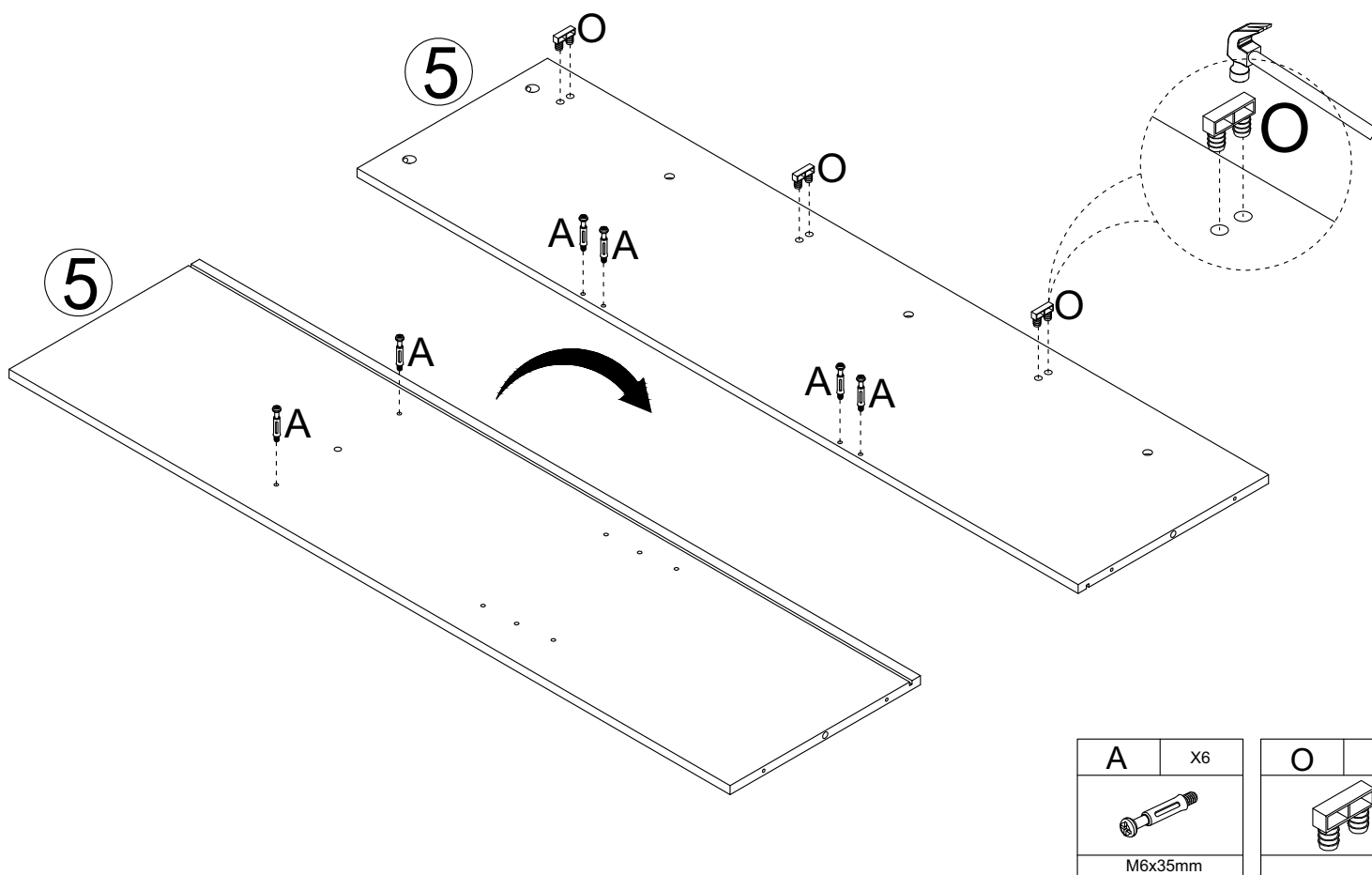
Step 1

First, screw A (12ps) into board #3 and #4 in the right place. Then, use a hammer to nail parts O (3ps) onto board #3 in the right place. (Refer to the position shown in the illustration.)



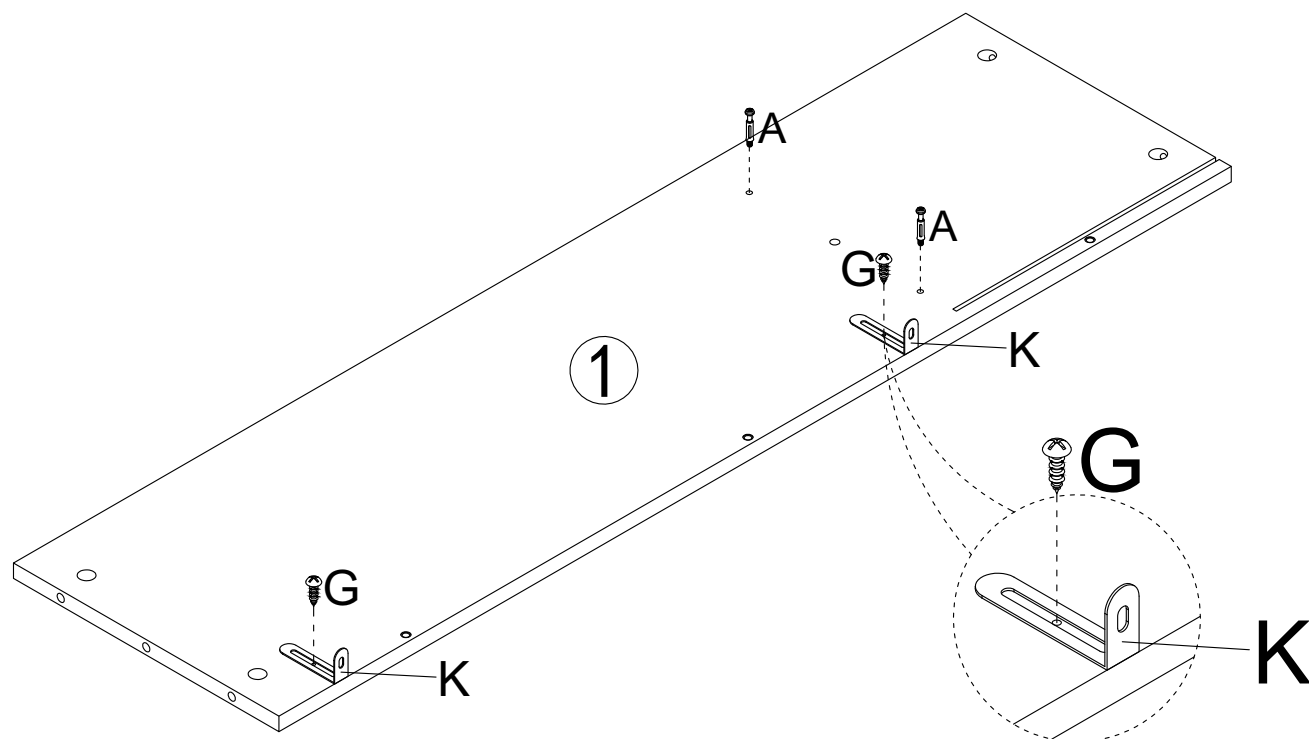
Step 2




First, screw 2 screws A into board #5. Next, flip the board #5 and then tighten 4 screws A and 3 parts O on its back according to the positions shown in the diagram.



Step 3

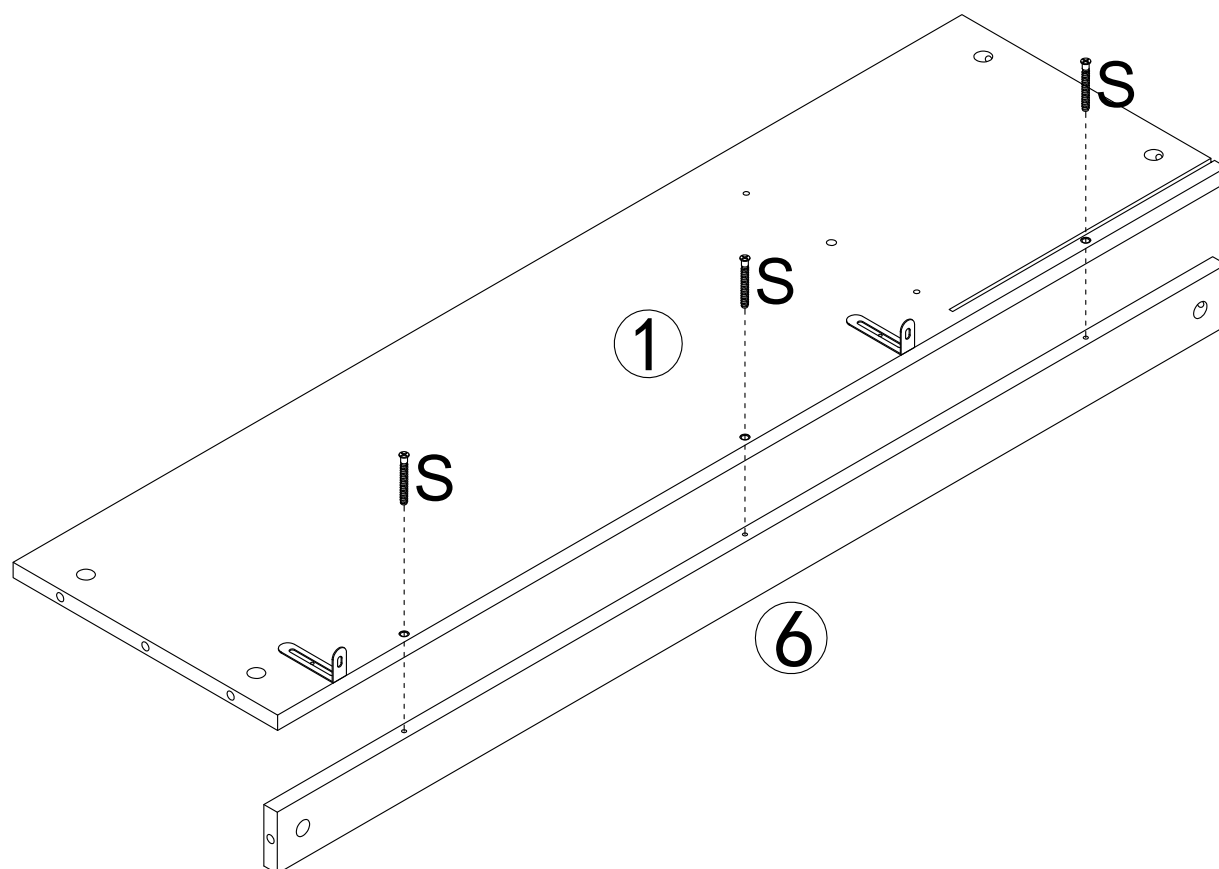
Fix the part K on board #1 respectively with 2 screws G, and then tighten the 2 screws A on the board, referring to the illustration.




A	x2	G	x2	K	x2
					
M6x35mm		M4x12mm			

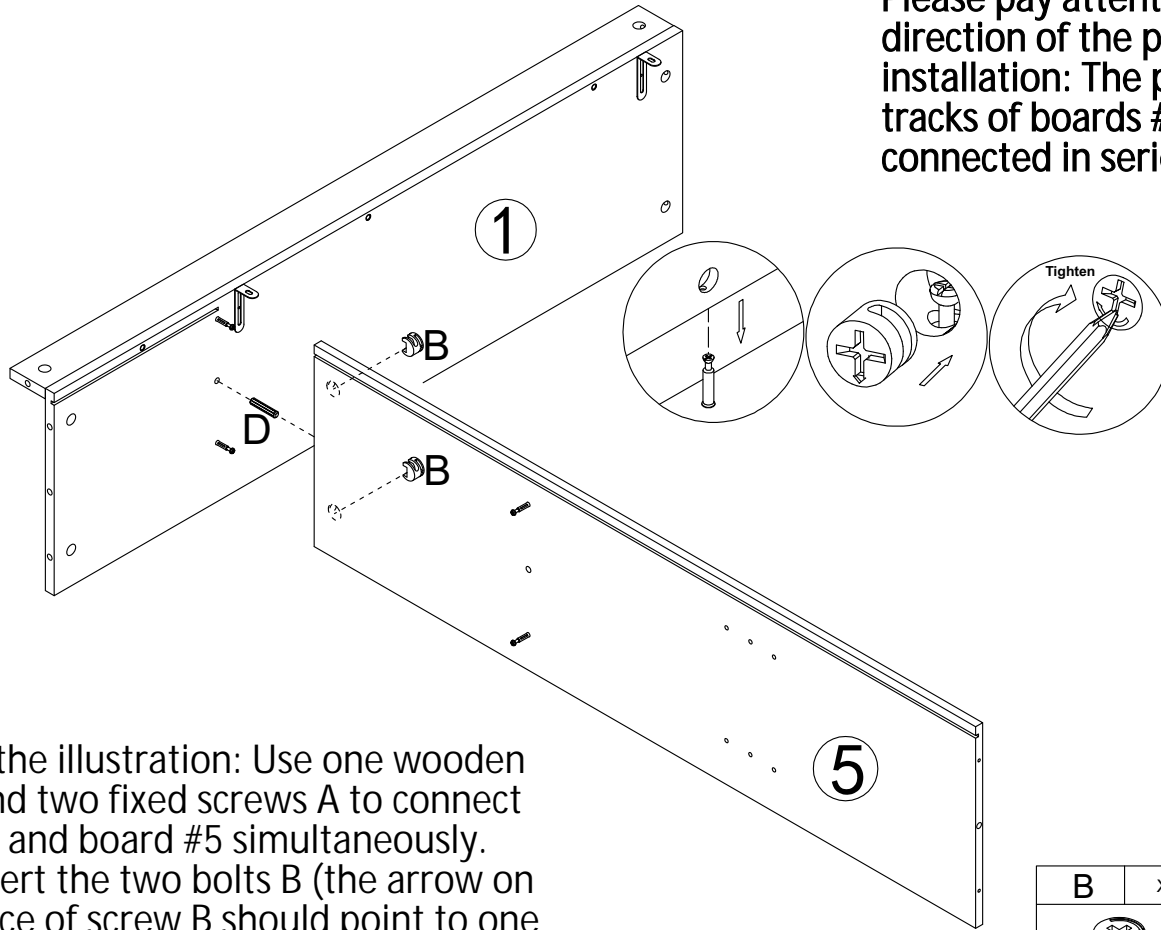
Step 4

Refer to the illustration and connect and fix Board #1 and Board #6 with three screws S.





S	x3
	
M5x40mm	

Step 5

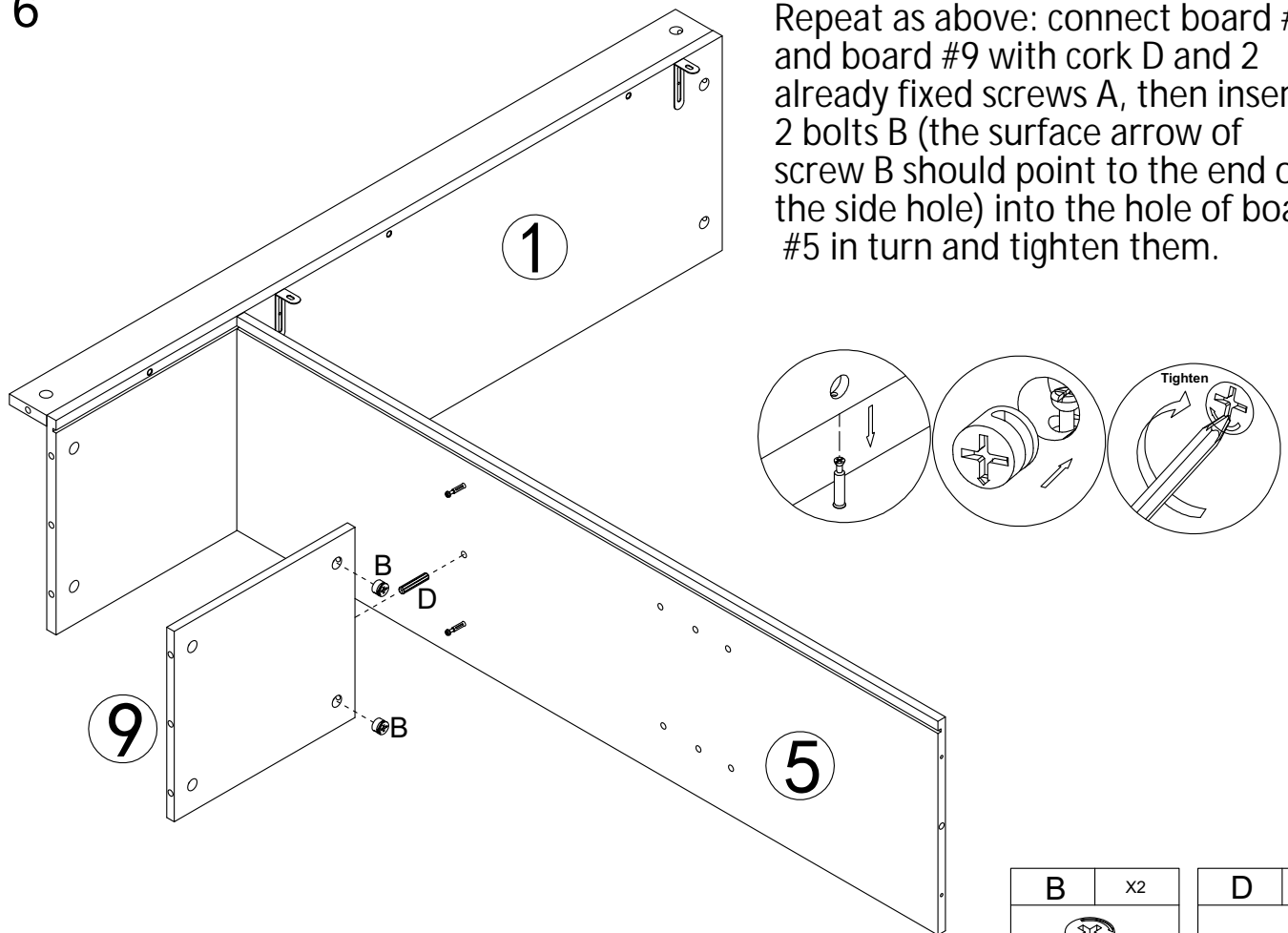


Please pay attention to the direction of the parts during installation: The prefabricated tracks of boards #1 and #5 can be connected in series.



Refer to the illustration: Use one wooden plug D and two fixed screws A to connect board #1 and board #5 simultaneously. Then, insert the two bolts B (the arrow on the surface of screw B should point to one end of the side drain hole) into the holes of board #5 in sequence and tighten them.

B	x2	D	x1
			

Step 6

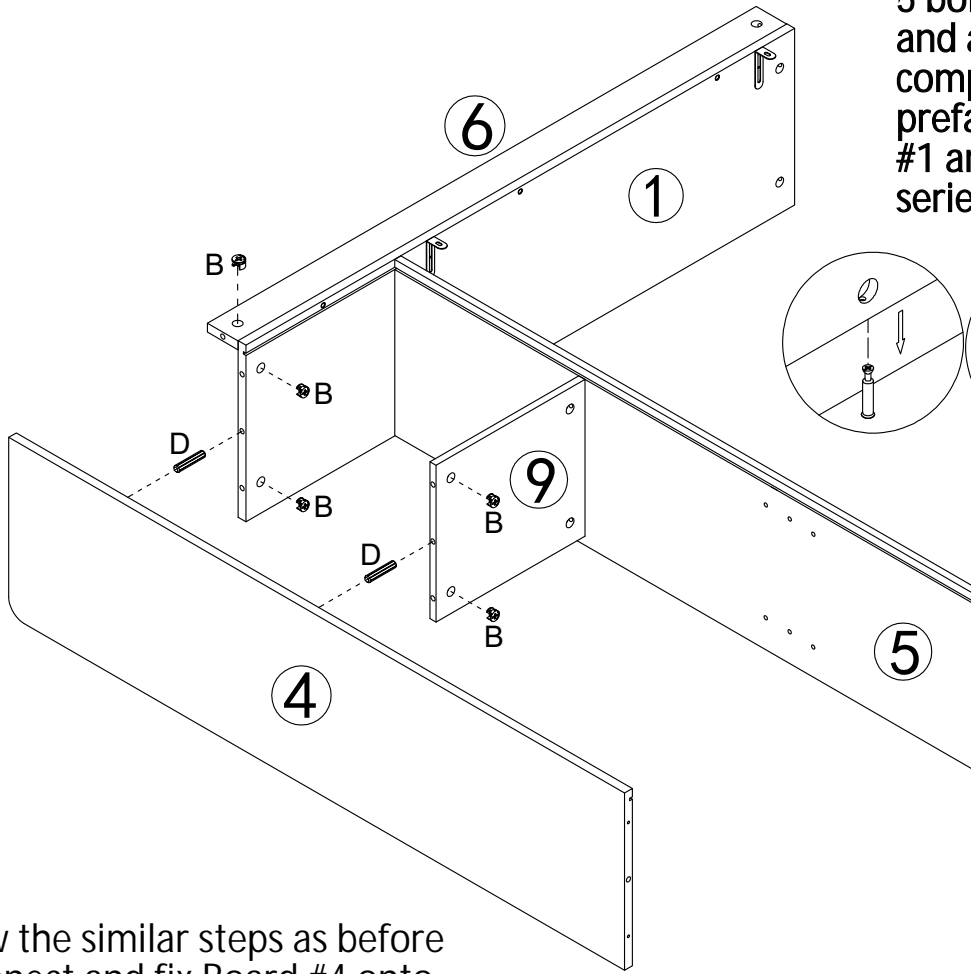


Repeat as above: connect board #5 and board #9 with cork D and 2 already fixed screws A, then insert 2 bolts B (the surface arrow of screw B should point to the end of the side hole) into the hole of board #5 in turn and tighten them.



B	x2	D	x1
			

Step 7

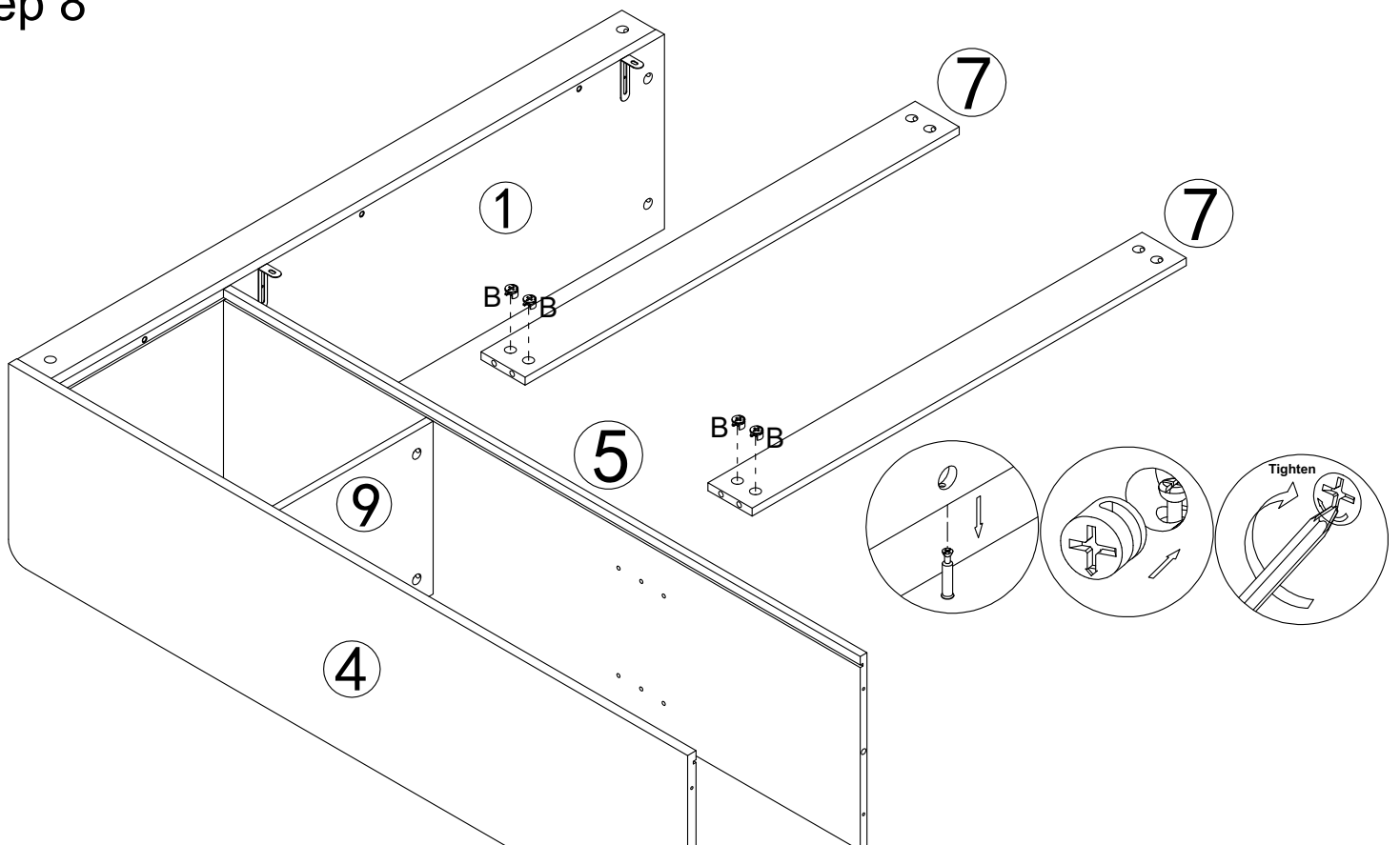
Please note that this step will use 5 bolts B and 2 corks D. Check and avoid missing any components. And the prefabricated tracks of boards #4, #1 and #5 can be connected in series.




Follow the similar steps as before to connect and fix Board #4 onto the completed unit.

B	x5	D	x2
			

Step 8

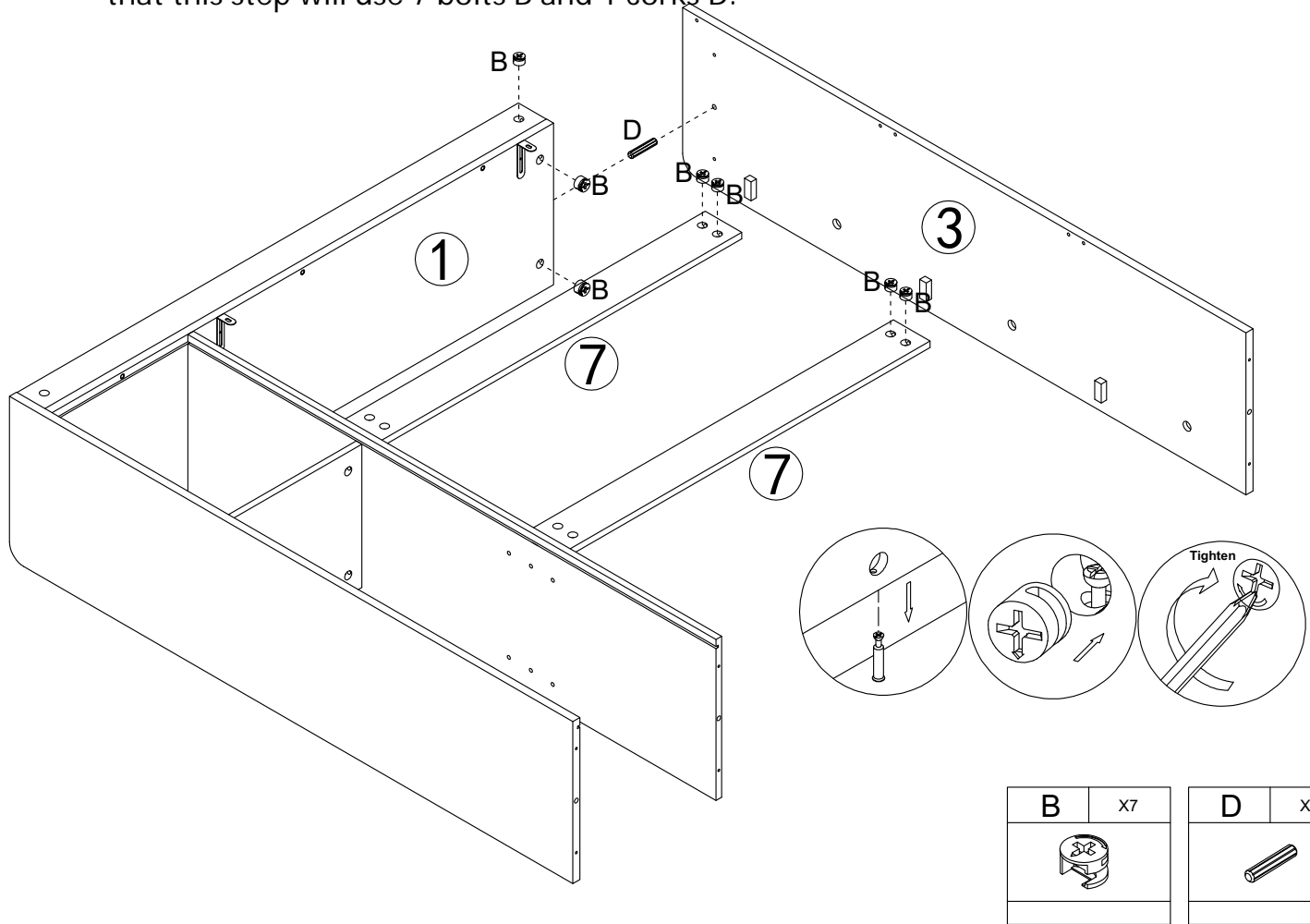


Insert the pre-installed screw A on board #5 into the side holes of board #7 respectively, and then insert the two bolts B into the corresponding holes of board #7 respectively and tighten them.

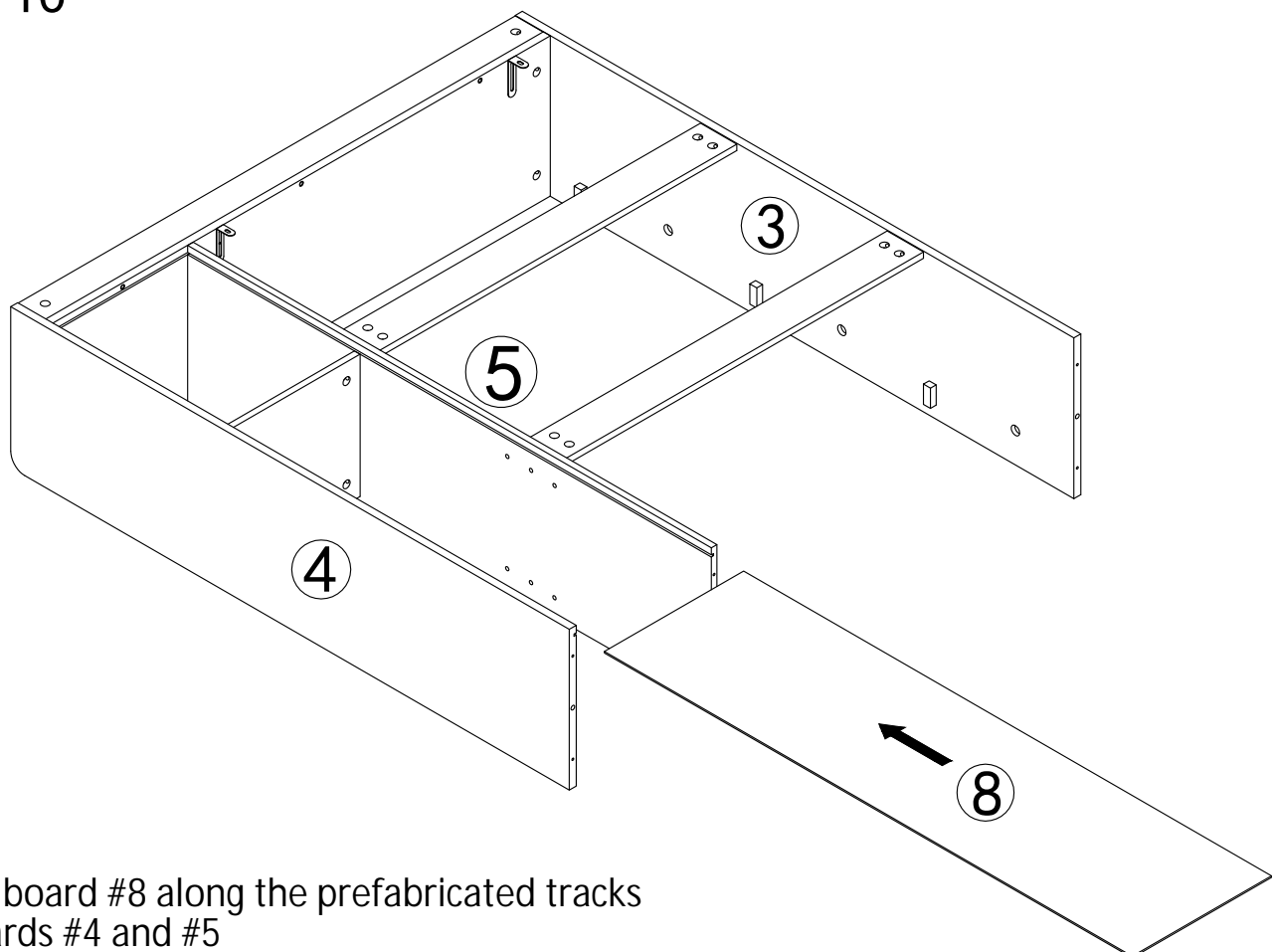
B	x4
	

Step 9

Follow the similar steps as before to connect and fix Board #3 onto the completed unit. (Board #3 needs to be connected to boards #1, #6, #7 and #7 respectively.) Please note that this step will use 7 bolts B and 1 corks D.



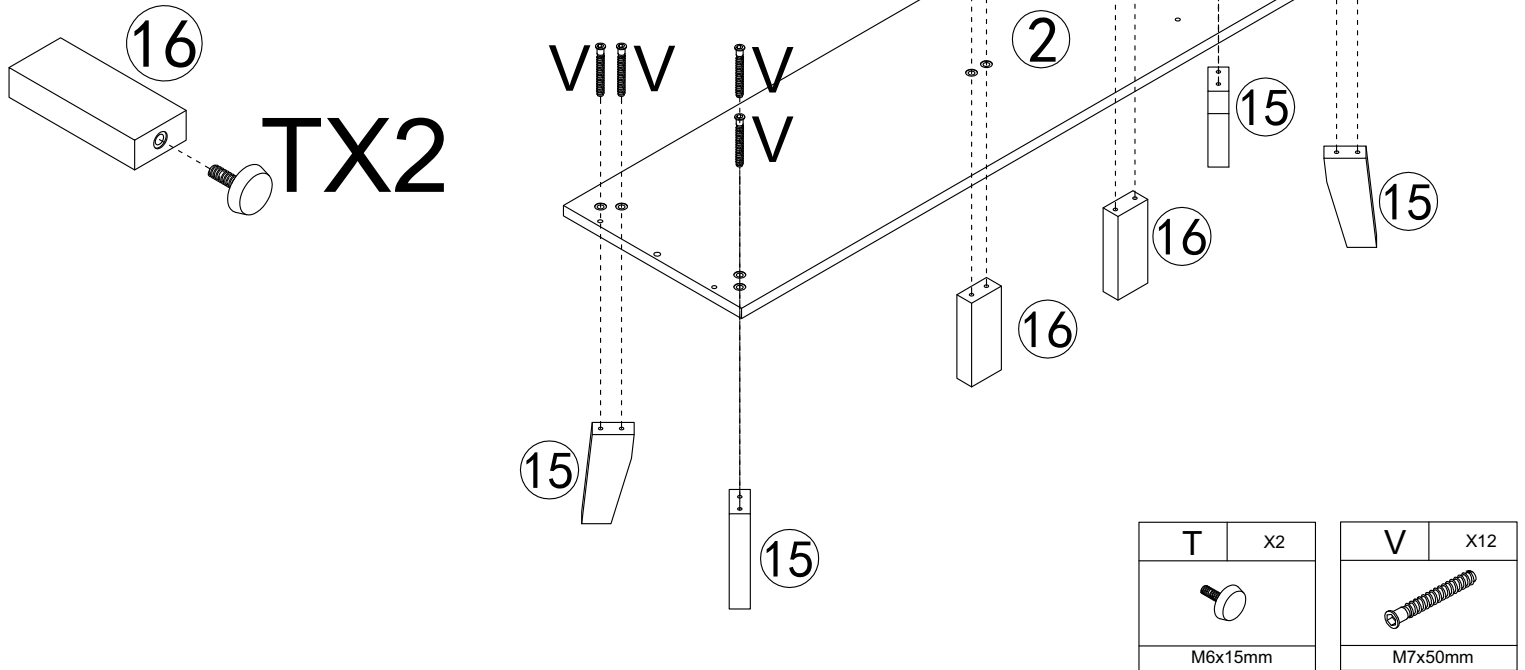
Step 10



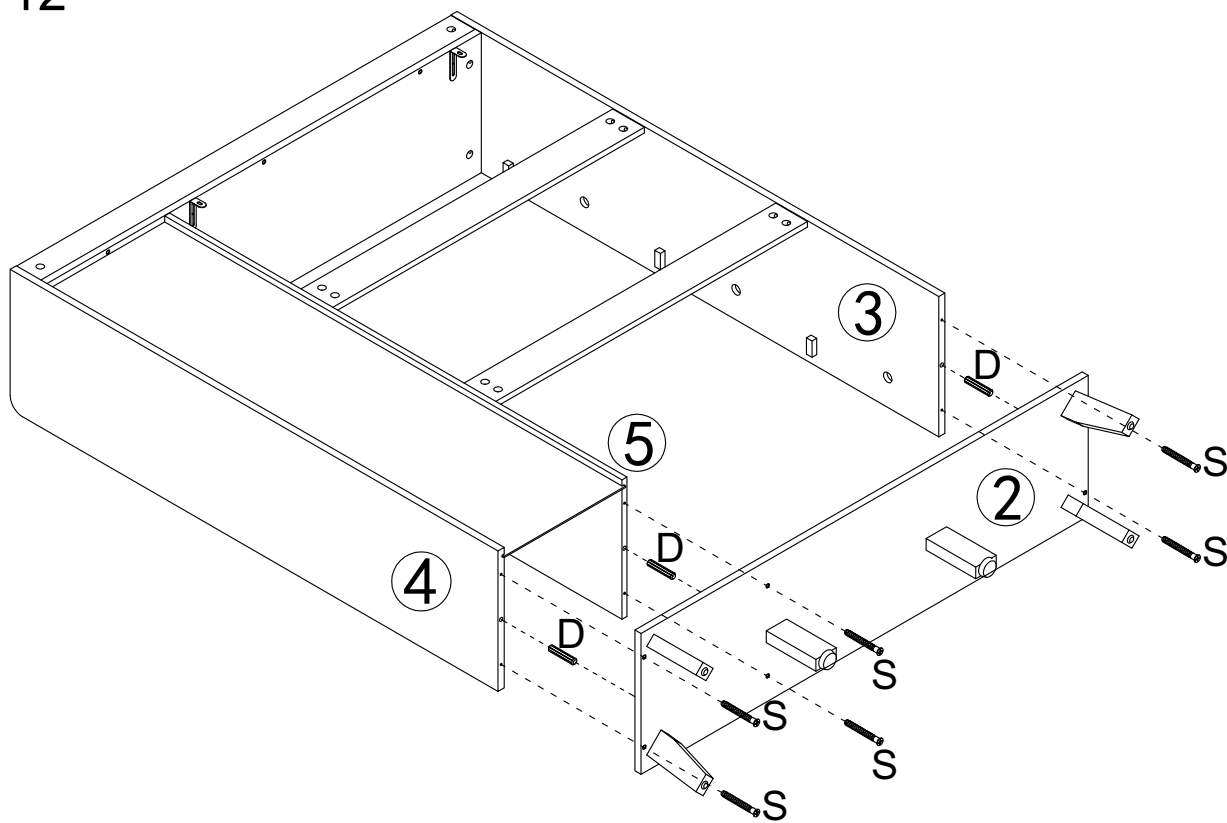
Insert board #8 along the prefabricated tracks of boards #4 and #5

Step 11

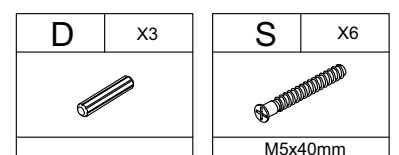
First, screw the two bases T into the corresponding wooden feet #16 respectively. Then, refer to the illustration and fix the 4 wooden feet #15 and 2 wooden feet #16 in sequence with 2 screws V respectively on the board #2.



Step 12

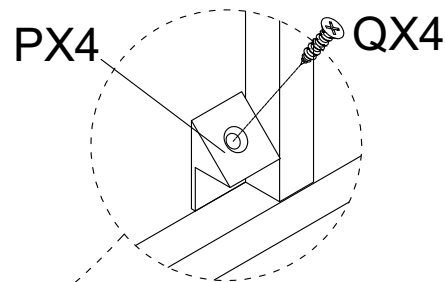
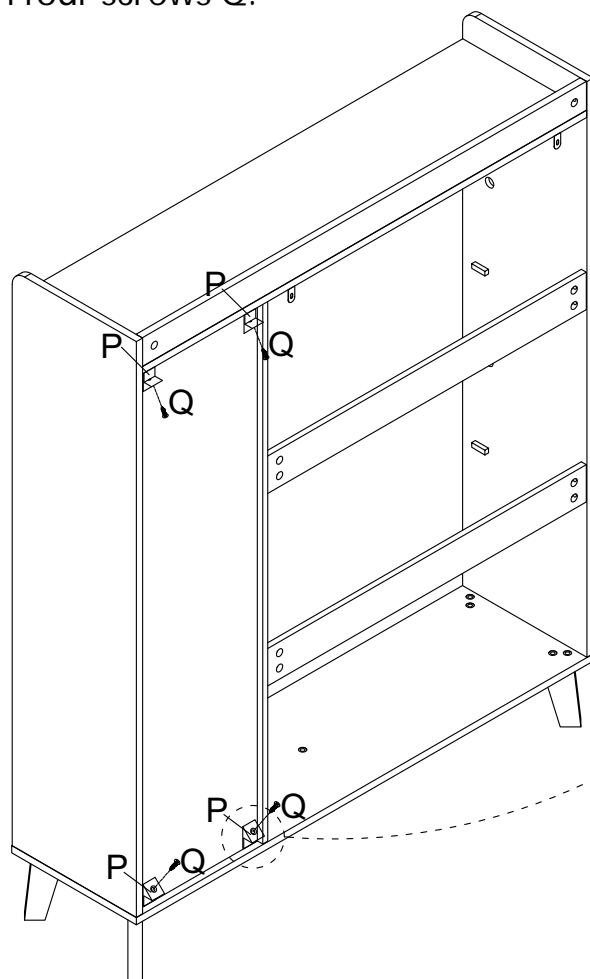


Refer to the illustration: First, connect the two units with three cork D, and then fix them in sequence with six screws S.



Step 13

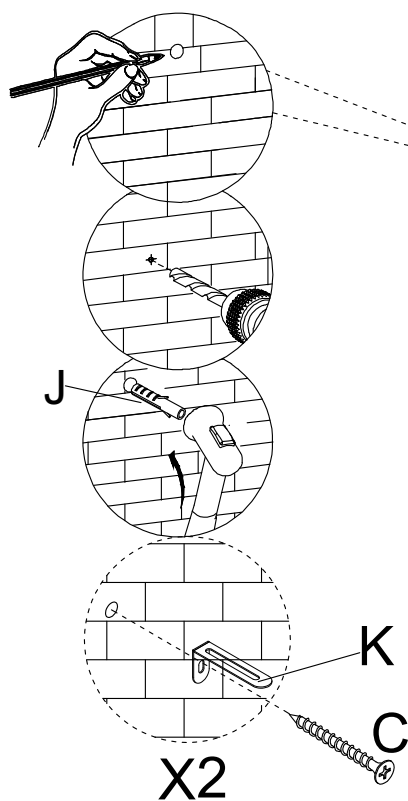
Fix the four plastic parts P respectively to the four corners on the back of board # 8 with four screws Q.



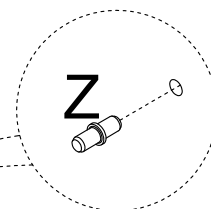
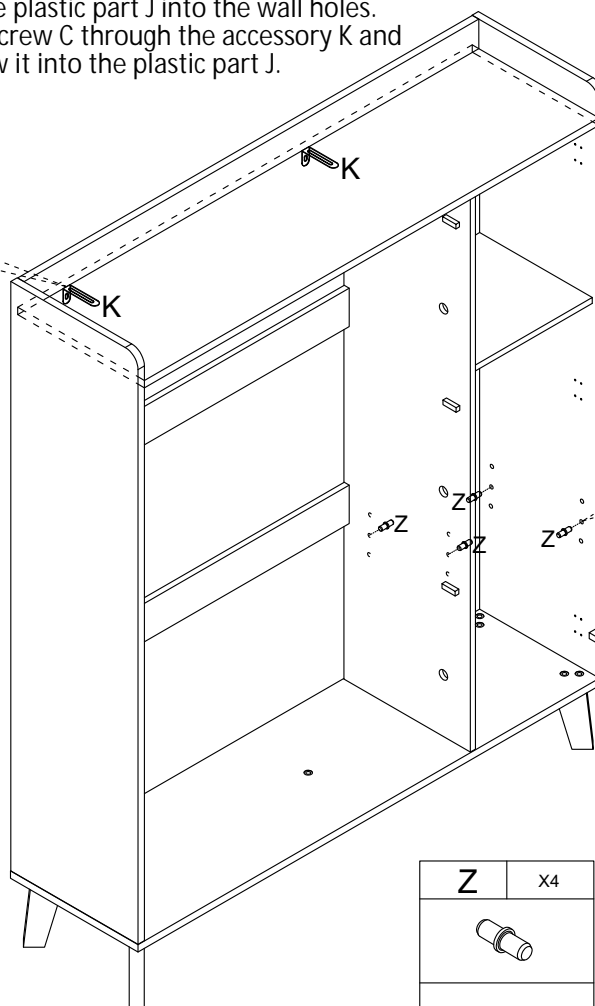
P	X4	Q	X4
		M3x16mm	

Step 14

- 14.2 The next operation is to fix the shoe cabinet on the wall. You can refer to:
- Align the accessory K at the back of the shoe cabinet with the wall for preset and point drawing.
 - Use an electric drill to aim at the designated point for drilling.
 - Embed the plastic part J into the wall holes.
 - Pass the screw C through the accessory K and then screw it into the plastic part J.



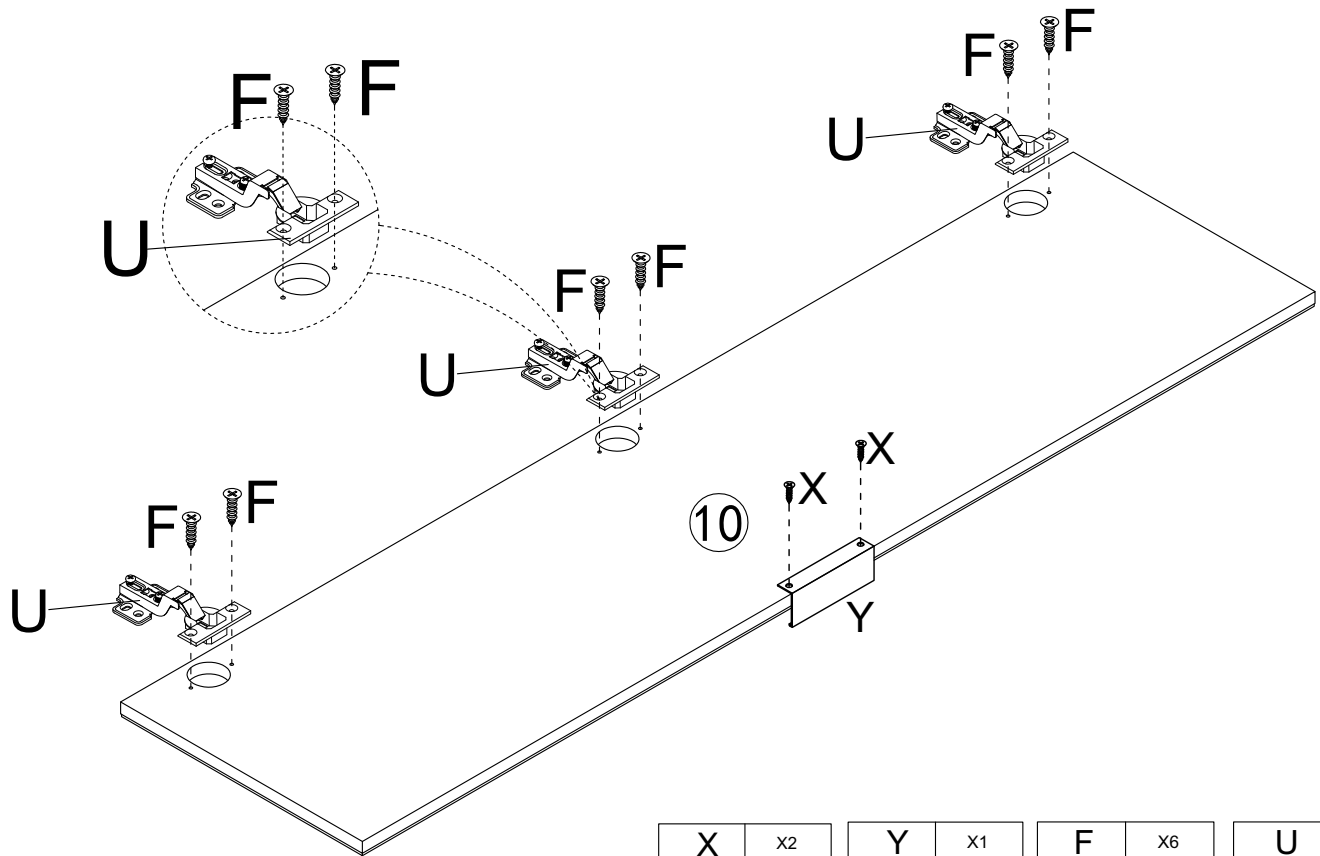
14.1 Insert the 4 parts Z into the holes at the same horizontal position respectively (3 height positions are available for selection), and then place board #17 on top of part Z.




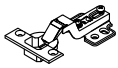


Z	X4	C	X2	J	X2
		M4x35mm			

Step 15

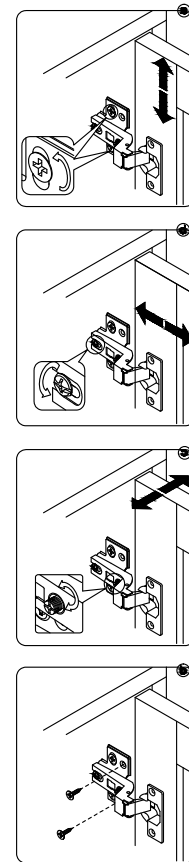
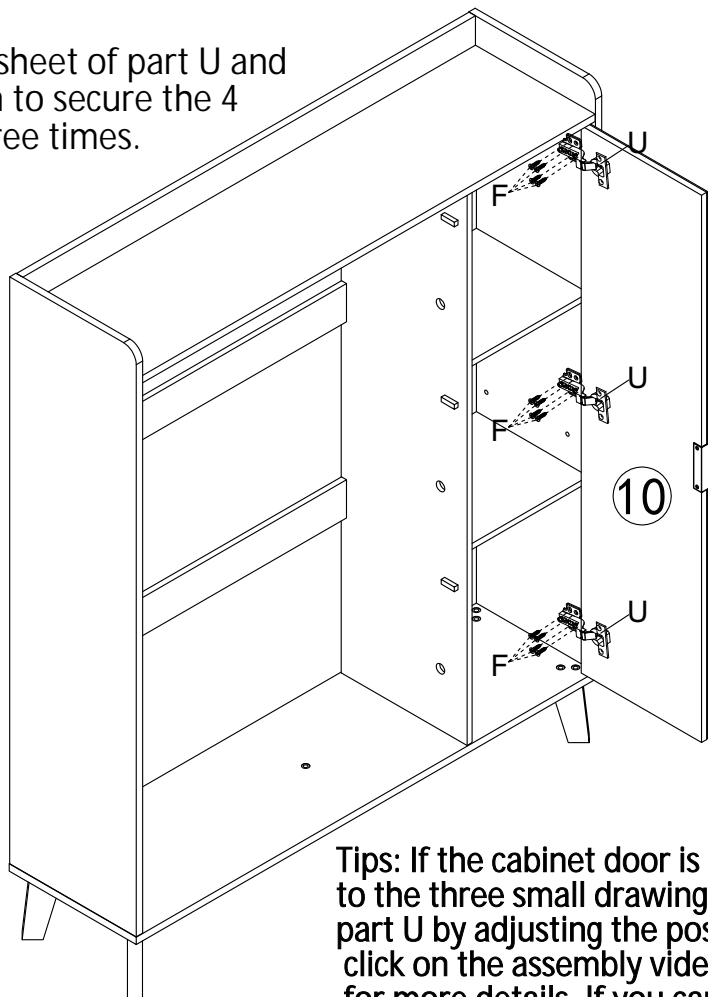
Refer to the illustration to fix the three parts U inside the side cabinet door #10 respectively with two screws F, and at the same time fix the part Y inside #10 with two screws X.




X	X2	Y	X1	F	X6	U	X3
							
M3.5x12mm				M3.5x14mm			

Step 16

Expand the metal sheet of part U and adjust the position to secure the 4 screws. Repeat three times.

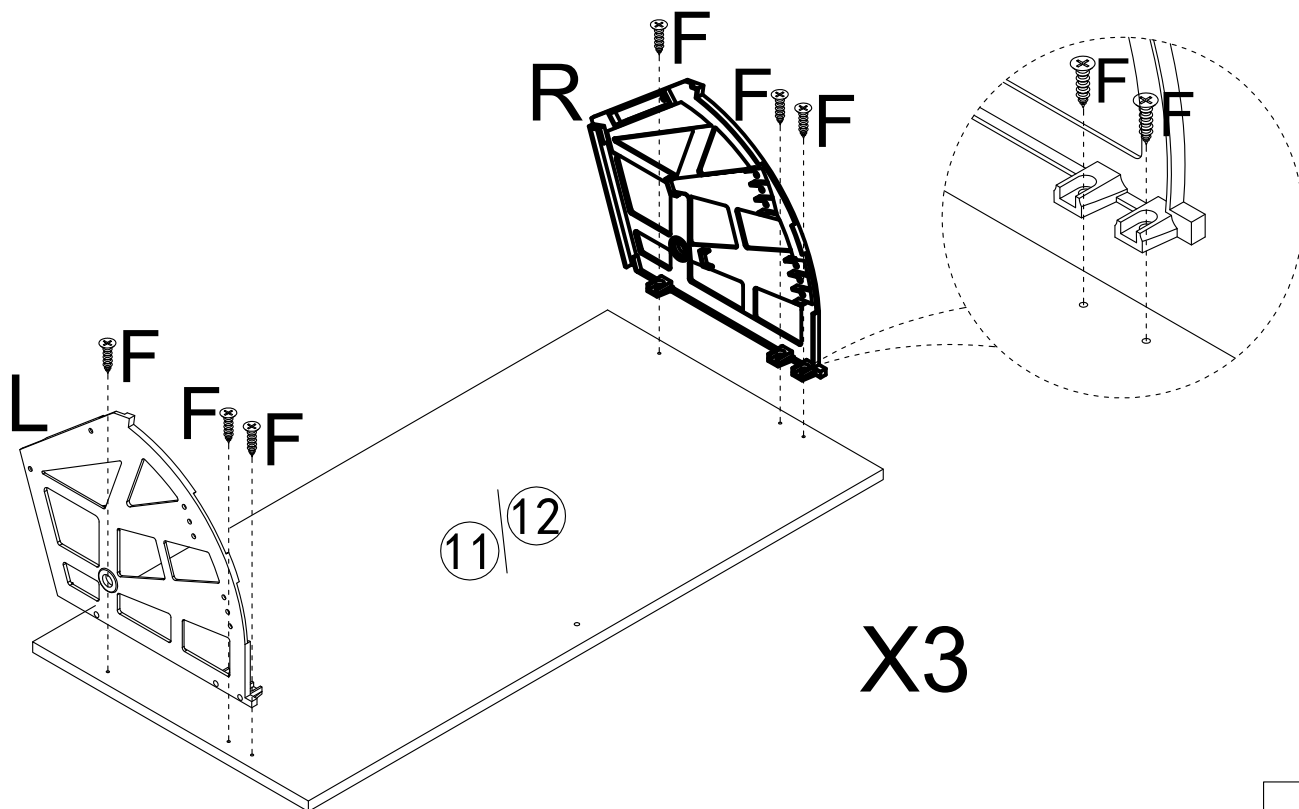



Tips: If the cabinet door is not aligned, please refer to the three small drawings on the right to move part U by adjusting the position of the screws, please click on the assembly video on the product webpage for more details. If you can't find the video, please contact customer service to request it.

F	X12
	
M3.5x14mm	

Step 17

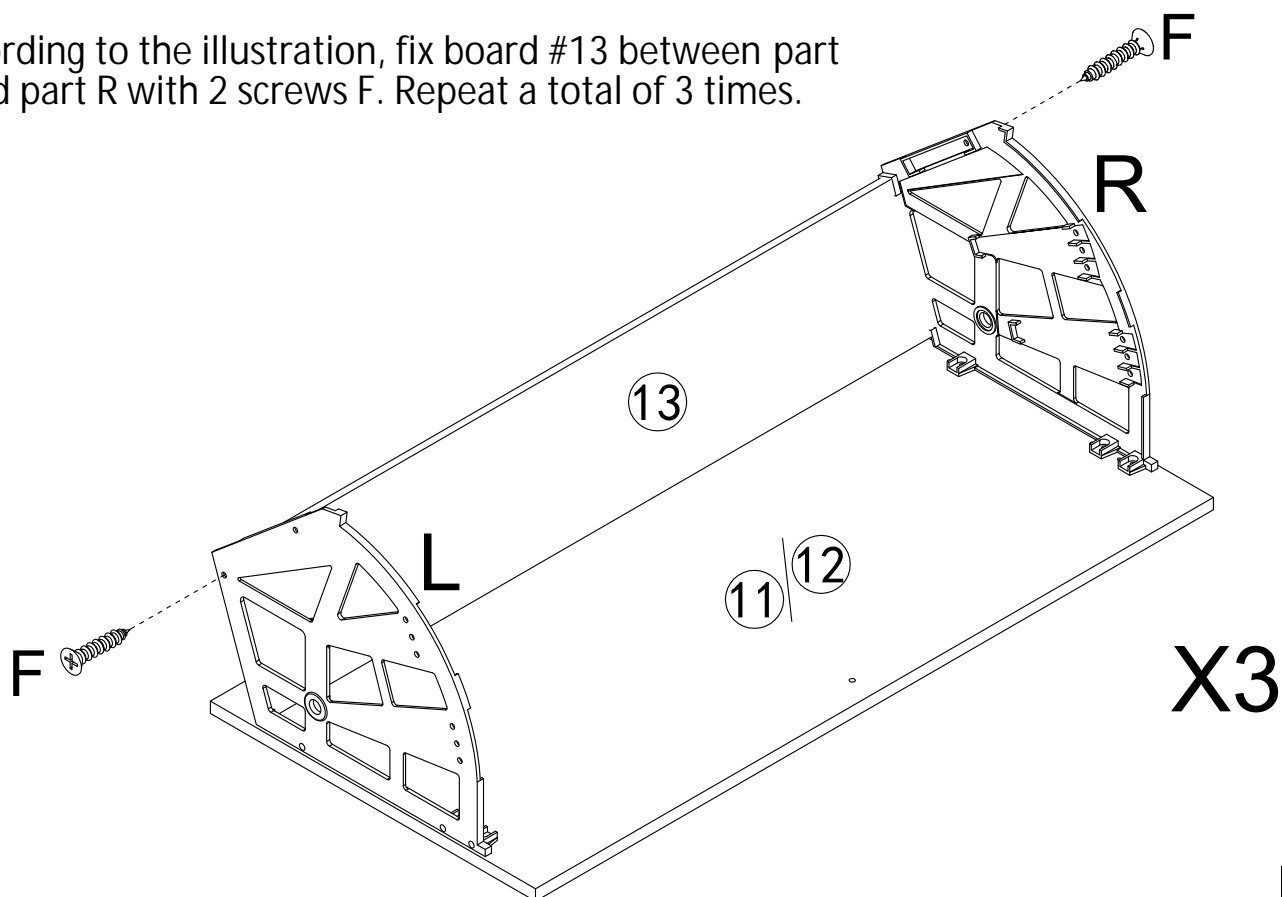
Use three screws F respectively to fix Part L and Part R on board #12 (or board #11). Repeat a total of 3 times.




F	X18
	
M3.5x14mm	

Step 18

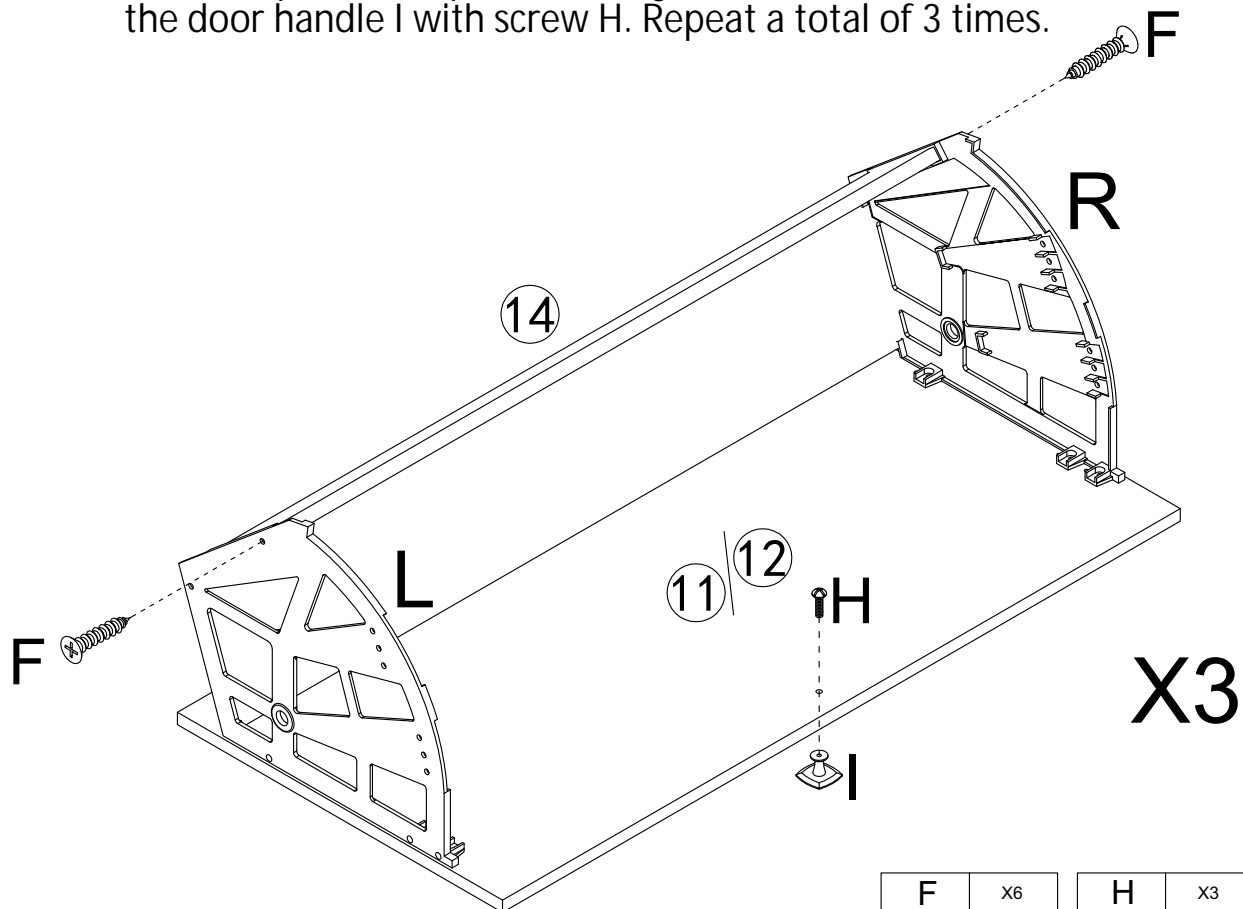
According to the illustration, fix board #13 between part L and part R with 2 screws F. Repeat a total of 3 times.





F	X6
	
M3.5x14mm	


Step 19

According to the illustration, use two screws F to fix board #14 between part L and part R and right next to board #13. And fix the door handle I with screw H. Repeat a total of 3 times.

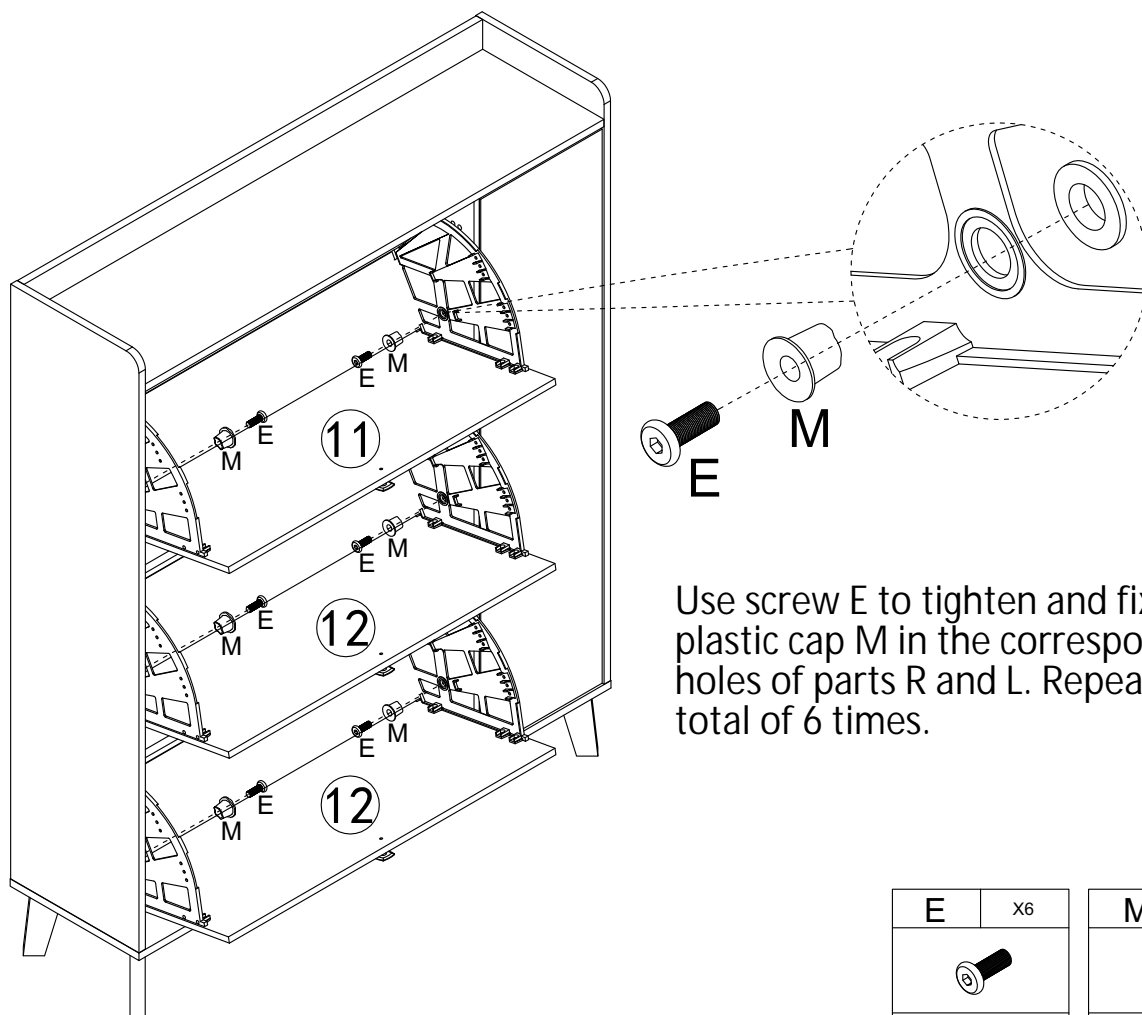


F	X6
	
M3.5x14mm	


H	X3
	
M4x16mm	


I	X3
	

Step 20



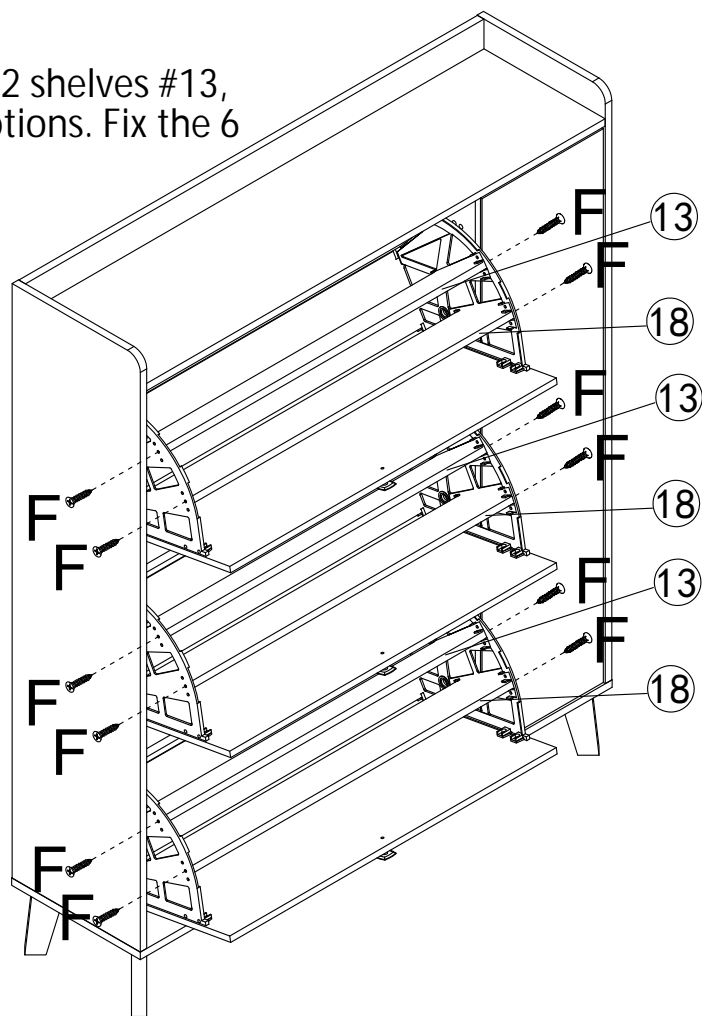
Use screw E to tighten and fix the plastic cap M in the corresponding holes of parts R and L. Repeat a total of 6 times.


E	X6
	
M6x15mm	

M	X6
	

Step 21

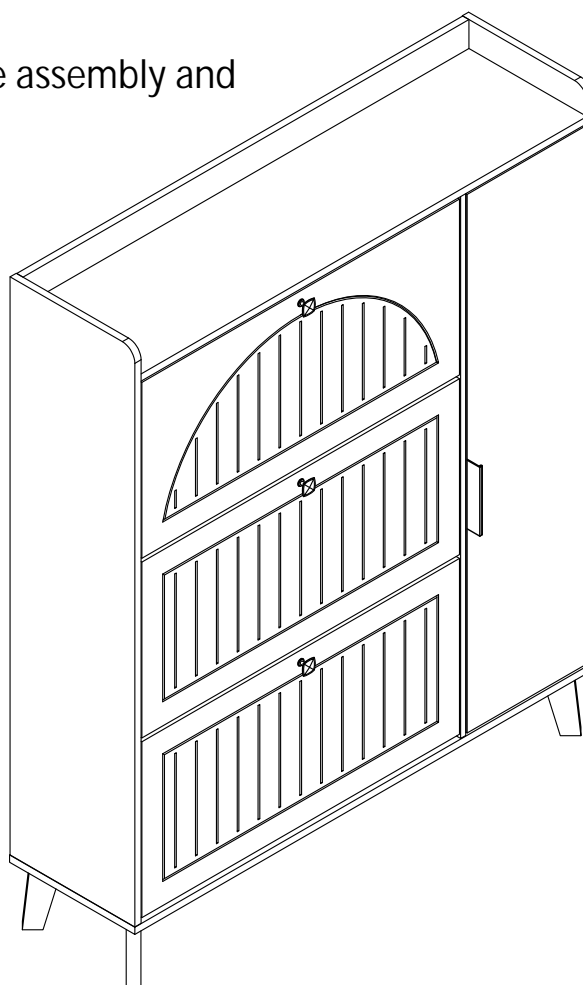
Each drawer is equipped with 2 shelves #13, and each shelf has 3 height options. Fix the 6 boards #13 with 12 screws F.



F	X12
	
M3.5x14mm	

Step 22

Finally, you have completed the assembly and can use it immediately!



Thank You!

For Your Purchase

Dear Customer,

Thank you for your order!

Each customer enjoys a one-year warranty .

Once the warranty is activated , we promise to provide you with

a risk-free experience and please contact us to register and

activate it .

Contact us before a refund / return to open the fast track.

We're online 24 hours a day.

Have a wonderful day !

Contact us to unlock benefits

- ✓ Activating the One-year Warranty
- ✓ Viewing the Installation Video
- ✓ Joining the New Product Trial Program
- ✓ Salt Lamp
- ✓ \$10~\$20

If parts are missing, damaged or you need any help, please contact us before clicking the return button and we'll help you solve the problem straight away, saving you time on your return!

 zoey_service@163.com

 +1 7733002528