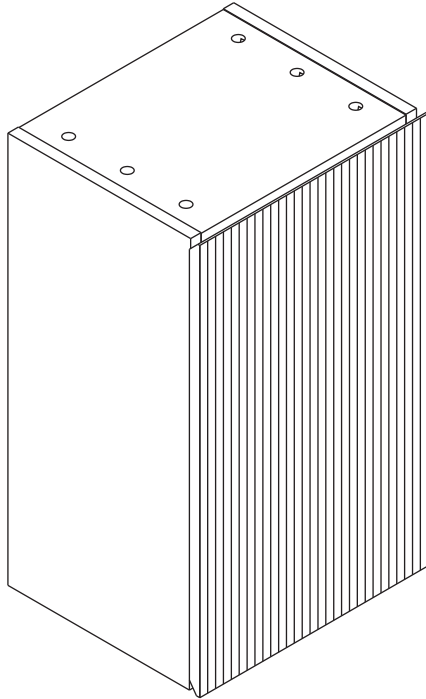
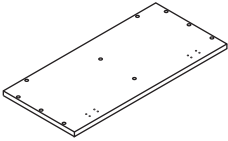
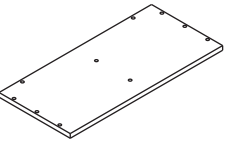
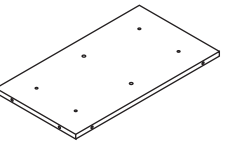
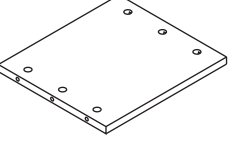
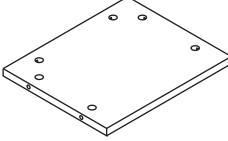
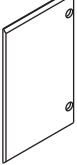


ASSEMBLY INSTRUCTIONS




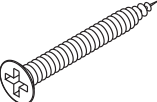
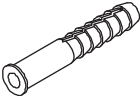

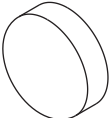
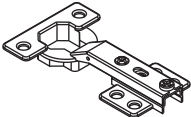


Bathroom Vanity

ASSEMBLY INSTRUCTIONS

1		x1			
2		x1			
3		x1			
4		x2			
5		x1			
6		x1			

ASSEMBLY INSTRUCTIONS

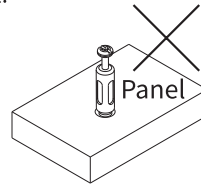
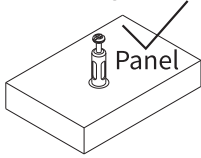
<p>A</p>	 <p>Ø6x26mm</p>	<p>x26</p>			
<p>B</p>	 <p>Ø15x9mm</p>	<p>x26</p>			
<p>C</p>	 <p>Ø3.5x14mm</p>	<p>x12</p>			
<p>D</p>	 <p>Ø3.5x50mm</p>	<p>x4</p>			
<p>E</p>		<p>x4</p>			
<p>F</p>		<p>x4</p>			
<p>G</p>		<p>x4</p>			
<p>H</p>		<p>x2</p>			

ASSEMBLY INSTRUCTIONS

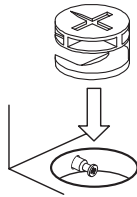
Use the Cam Lock and Eccentric Wheel

ECCENTRIC WHEEL

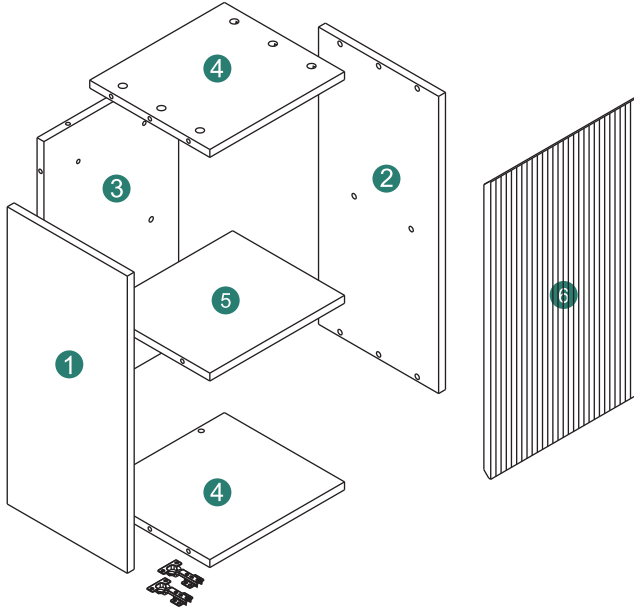
Tighten the bolt until the shoulder is aligned with the panel.
Be sure not to tighten too much or too little.



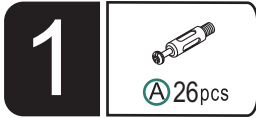
The pre-inserted nut should align with the center of the cam lock when joining two panels. The cam lock should be inserted before the eccentric wheel.



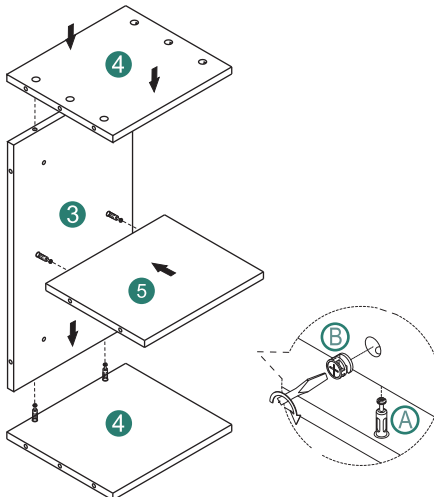
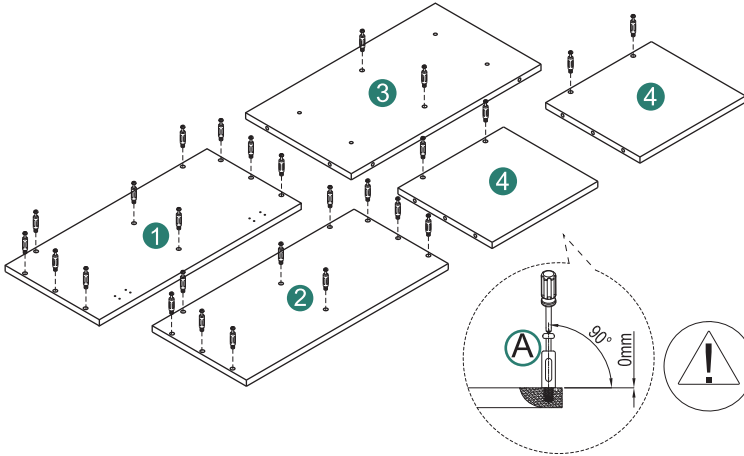
Turn the cam lock clockwise to tighten.



ASSEMBLY INSTRUCTIONS

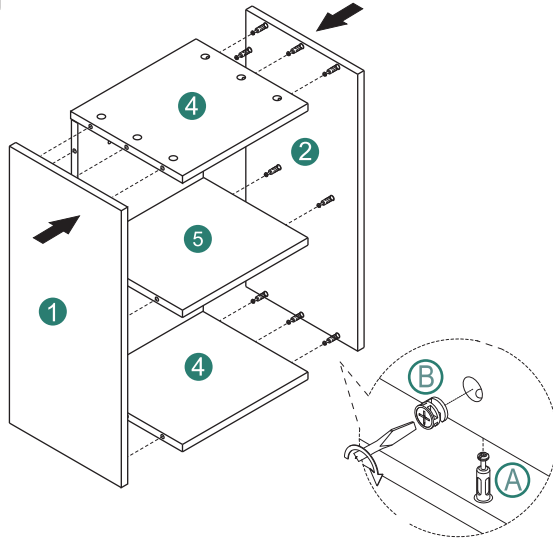


The floor needs to be covered with paper or carpet protective material before installation!

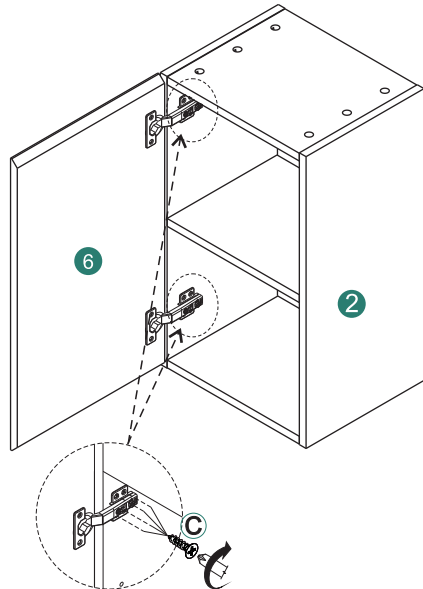
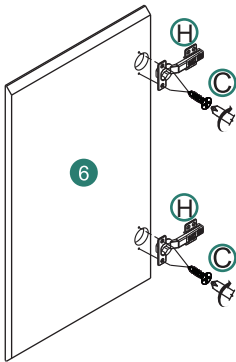


ASSEMBLY INSTRUCTIONS

3

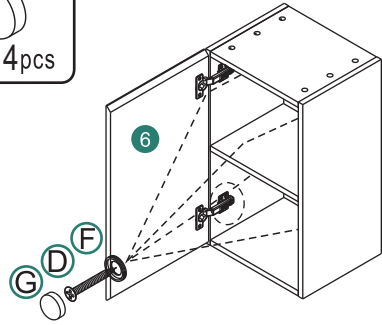
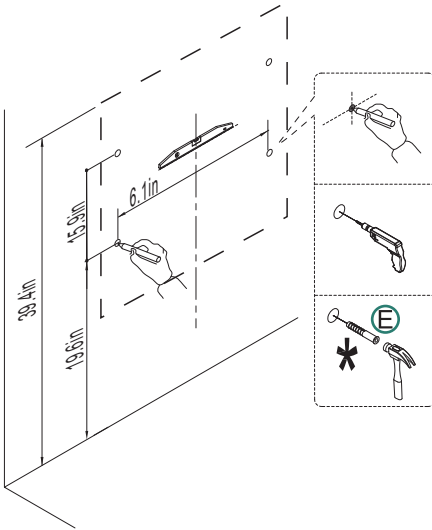
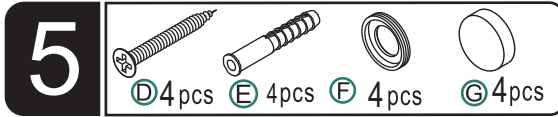


4



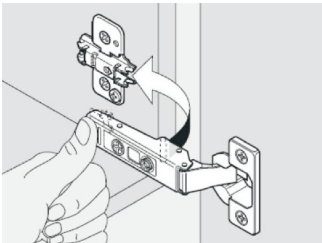
6

ASSEMBLY INSTRUCTIONS

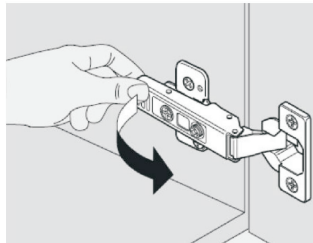


HINGE ADJUSTMENT AND REMOVAL INSTRUCTION

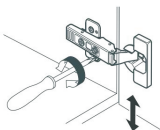
DOOR INSTALL



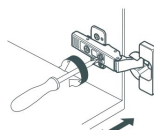
DOOR REMOVE



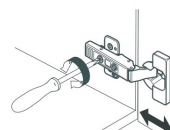
HOW TO ADJUST HINGES (if required)



adjust height



adjust laterally



adjust depth

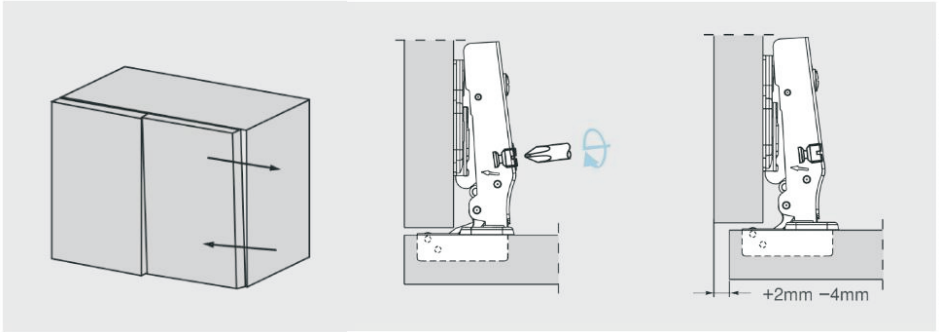
DRAWERS REMOVAL & RE-INSTALLATION (if required)

REMOVAL

RE-INSTALLATION

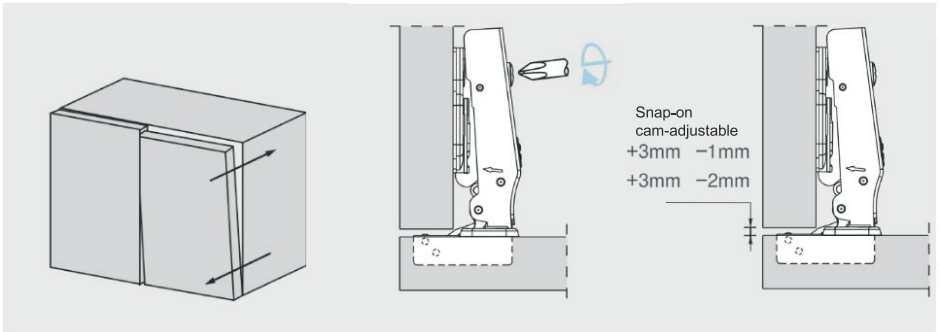
PIVOT-PRO side adjustment

Side adjustment of the door is made by using the indicated screw.



PIVOT-PRO Depth Adjustment

Depth adjustment is made without loosening any screw. The door can be moved in or out by rotating the cam adjuster on the hinge arm.



PIVOT-PRO Height Adjustment

By loosening the two fixing screws to allow the mounting plate to slide up or down, the door can be adjusted vertically by $\pm 2\text{mm}$. After retightening the screws, the Depth adjustment is done.

