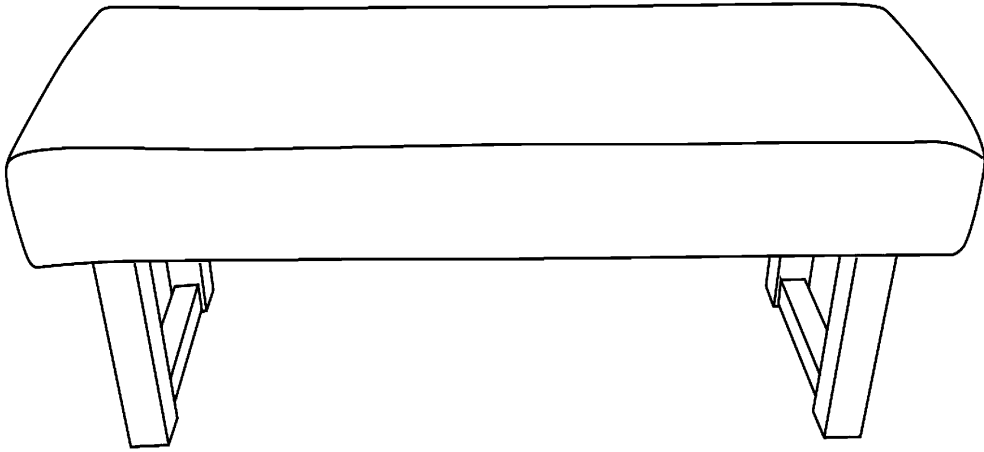


Assembly Instructions

Caution : You must read this before you proceed





Bench



Part List

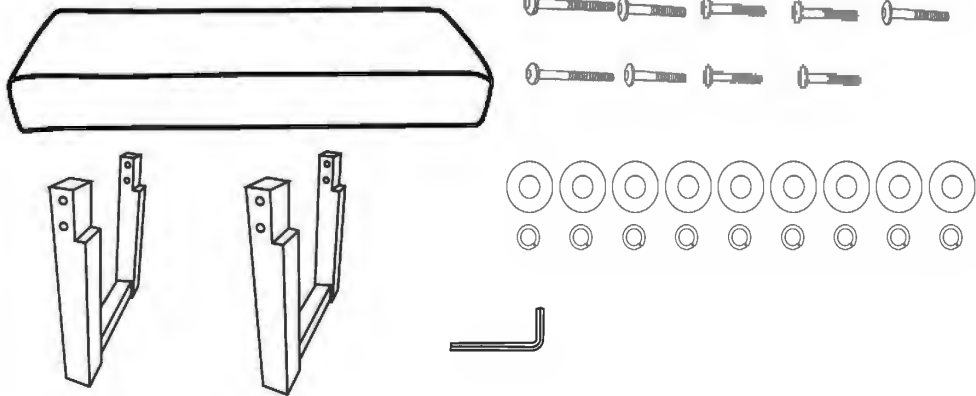
Label	Picture	Description	QTY
A	A line drawing of a rectangular bench base, which is a flat, rectangular piece of material with slightly rounded ends.	Bench Base	1
B	A line drawing of a bench leg, which is a vertical rectangular piece of material with a small hole near the top and a small notch near the bottom.	Leg	2

Hardware

Label	Picture	Description	QTY
①		Bolt (M8*80mm)	9
②		Washer	9
③		Spring Washer	9
④		Allen Key	1

Assembly Preparation

Before Beginning Assembly:



- Read instructions, cover to cover-



- Have 2 adults on hand for assembly-



- Do not assemble on flooring or carpet-



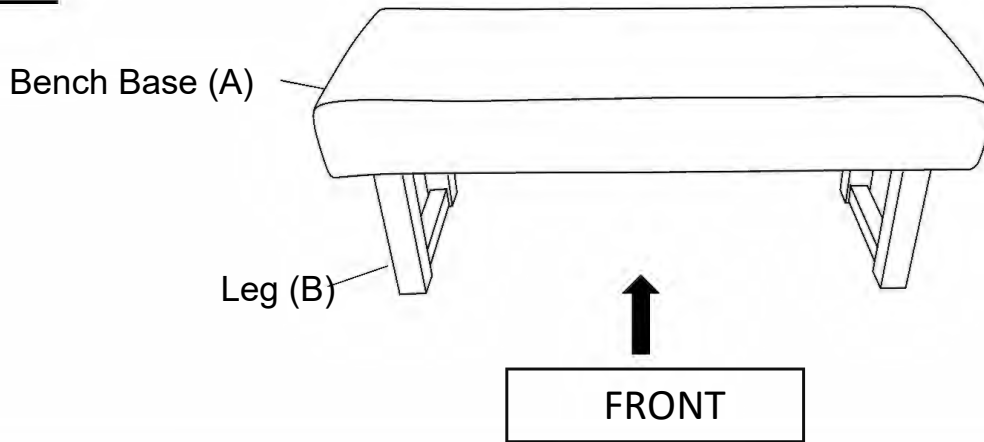
- Assemble on a clean non-marring surface (packing foam)-



- Save all packaging until finished-

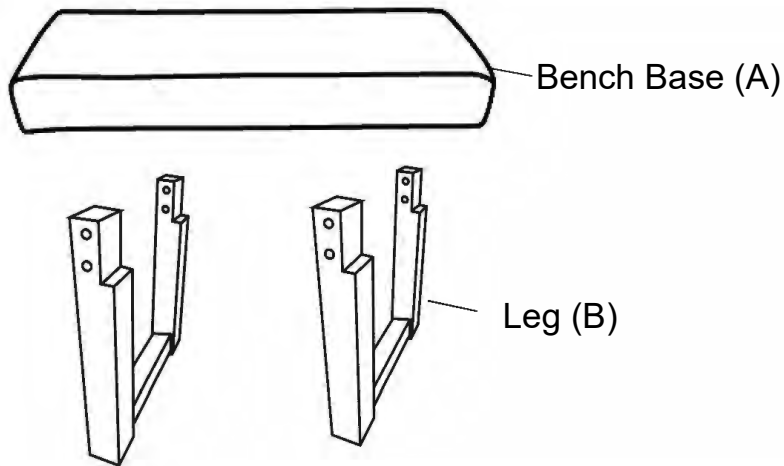
Assembly Steps

Overview



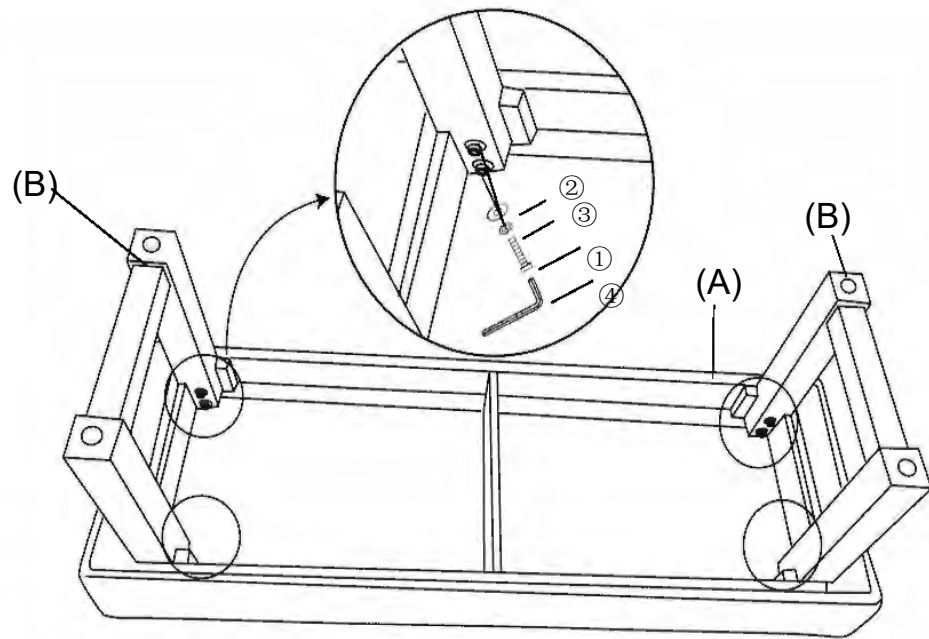
This Bench has multiple parts and may require up to 30 minutes to assemble. To give you an overview of the Bench parts, the above picture is to help you put the various parts into perspective. Please read through the instructions below to familiarise yourself with the parts and steps before assembly.

Step 1



Place the Bench Base(A), and Legs(B) on a clean, non-marring surface.

Step 2



Position Bench Base(A) facedown as shown.

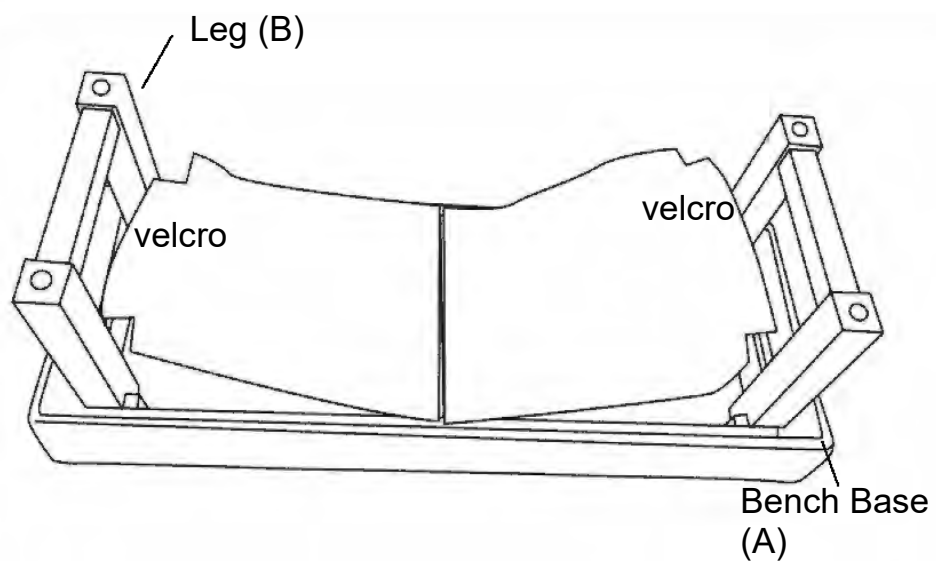
Align Legs(B) onto Bench Base(A) as pictured above.

Attach Legs(B) to Bench Base(A) using Bolts(1), Spring Washers(3), and Washers(2) with Allen Key(4).

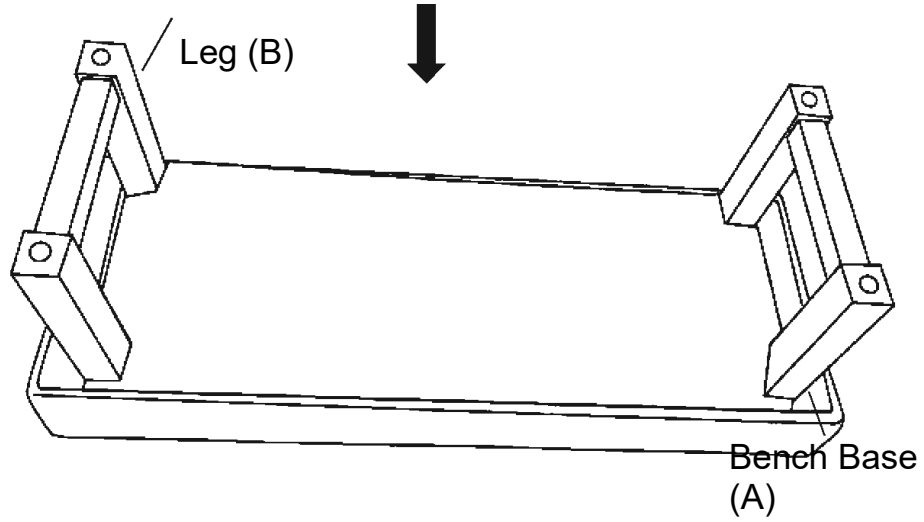
Tighten the Bolts fully in a sequential manner.

Step 3

3.1



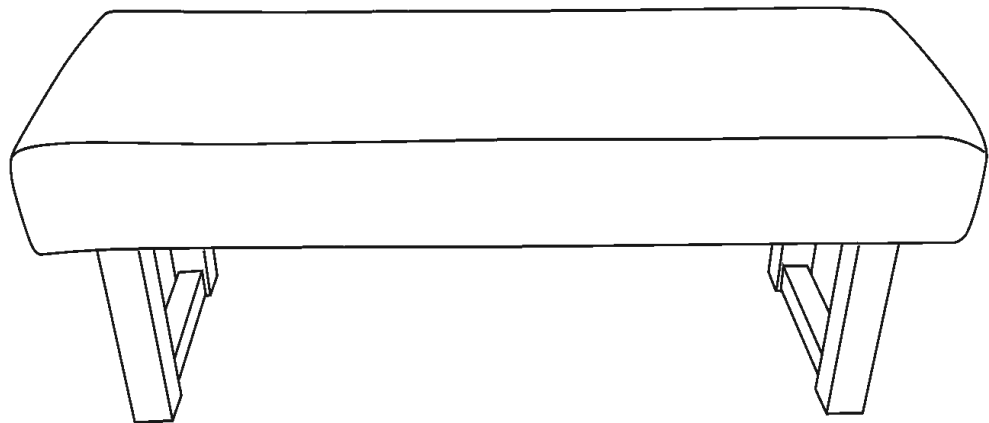
3.2



3.1) Unroll the dust cover and stick it with velcro.

3.2) Smooth out the edges to ensure even placement of dust cover.

Step 4



Your Bench is ready for use.

This Bench can only be used on a flat, level surface.

Care & Maintenance

- ⊘  ● Do not put hot items directly on furniture surface.
 - ⊘  ● Do not clean furniture with harsh cleansers or polish.
 - ⊘  ● Do not place furniture under direct sunlight.
 - ⊘  ● Do not place furniture near heating or cooling vents.
 - ⊘  ● Do not write on furniture without a padded barrier to protect the surface.
 - ⊘  ● Do not place furniture outside. For indoor use only.
 - ⊘  ● Not for commercial use. For residential use only.
 - ⊘  ● Stains may be removed with mild soap solution and damp cloth.
 - ⊘  ● Children should not climb or jump on the furniture.
-
- ✓  ● Dust and pick-up spills using a clean, non-colored, lint-free cloth.