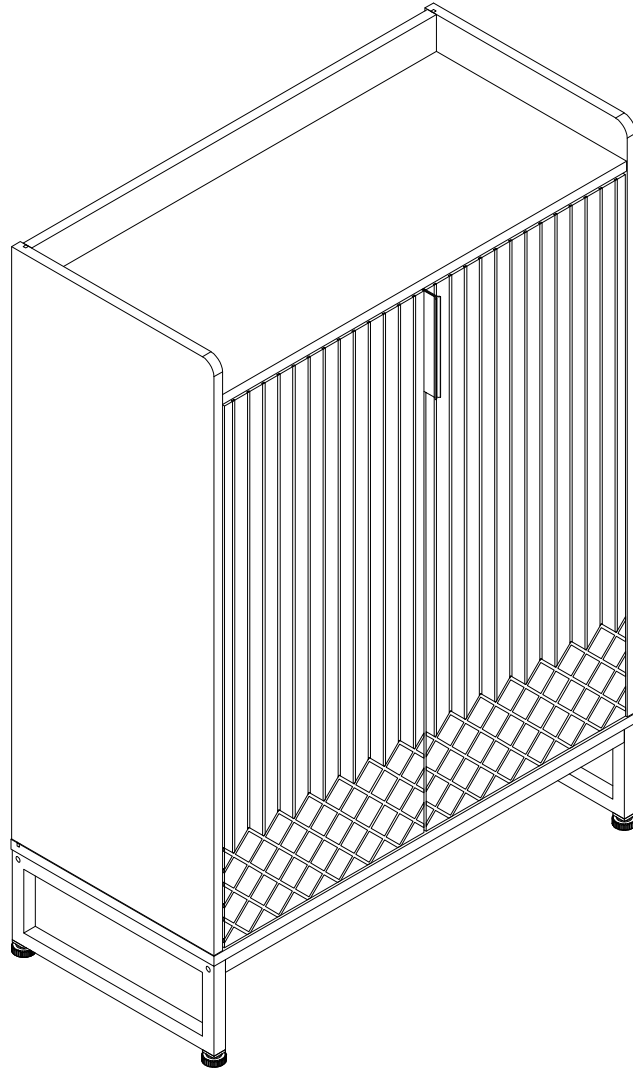
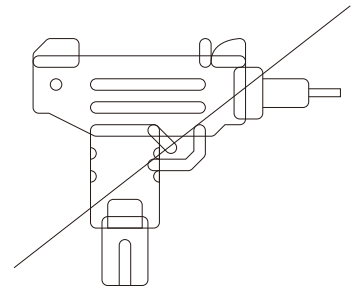
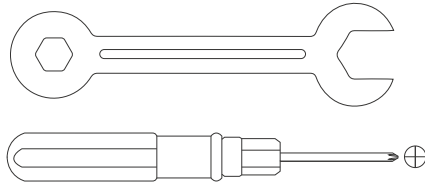
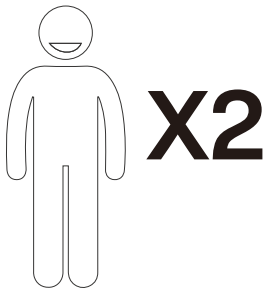


Assembly Instructions



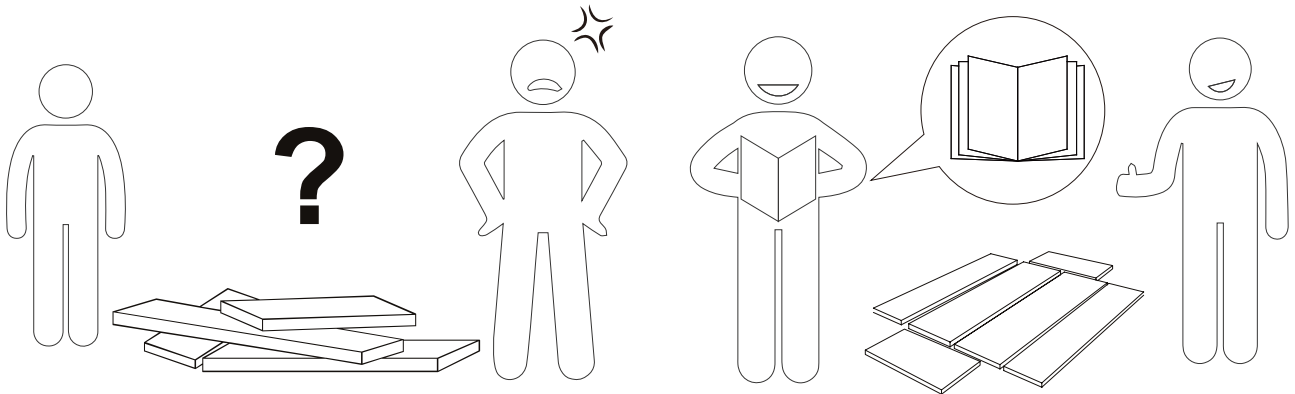
Shoe cabinet

Model No.
HOGA-XK00465/00466/
00528/00529



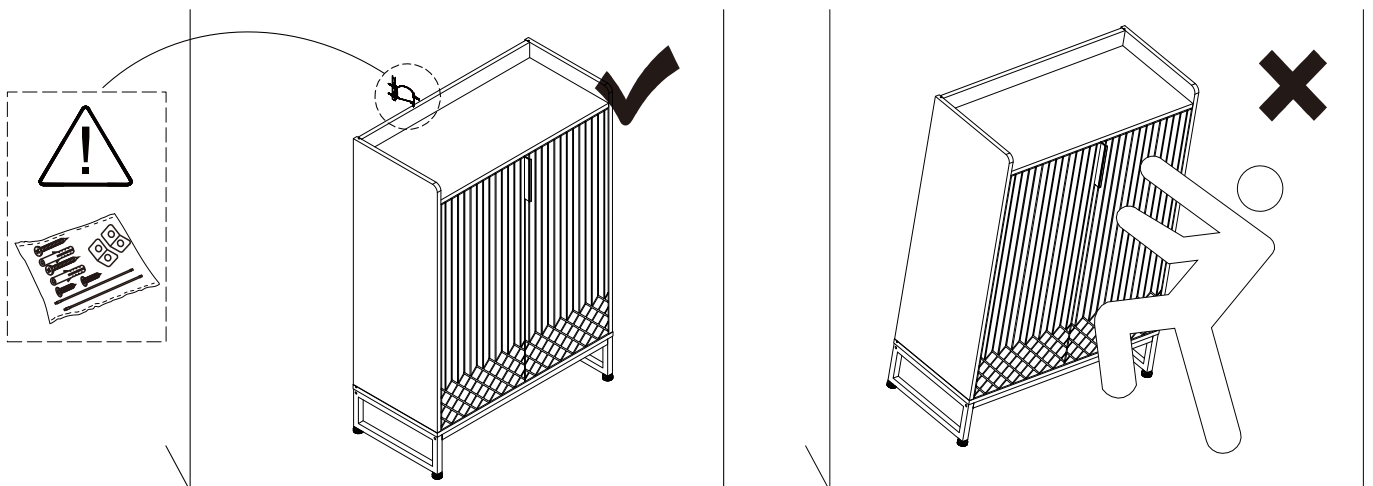
We recommend using hand tools for assembly.

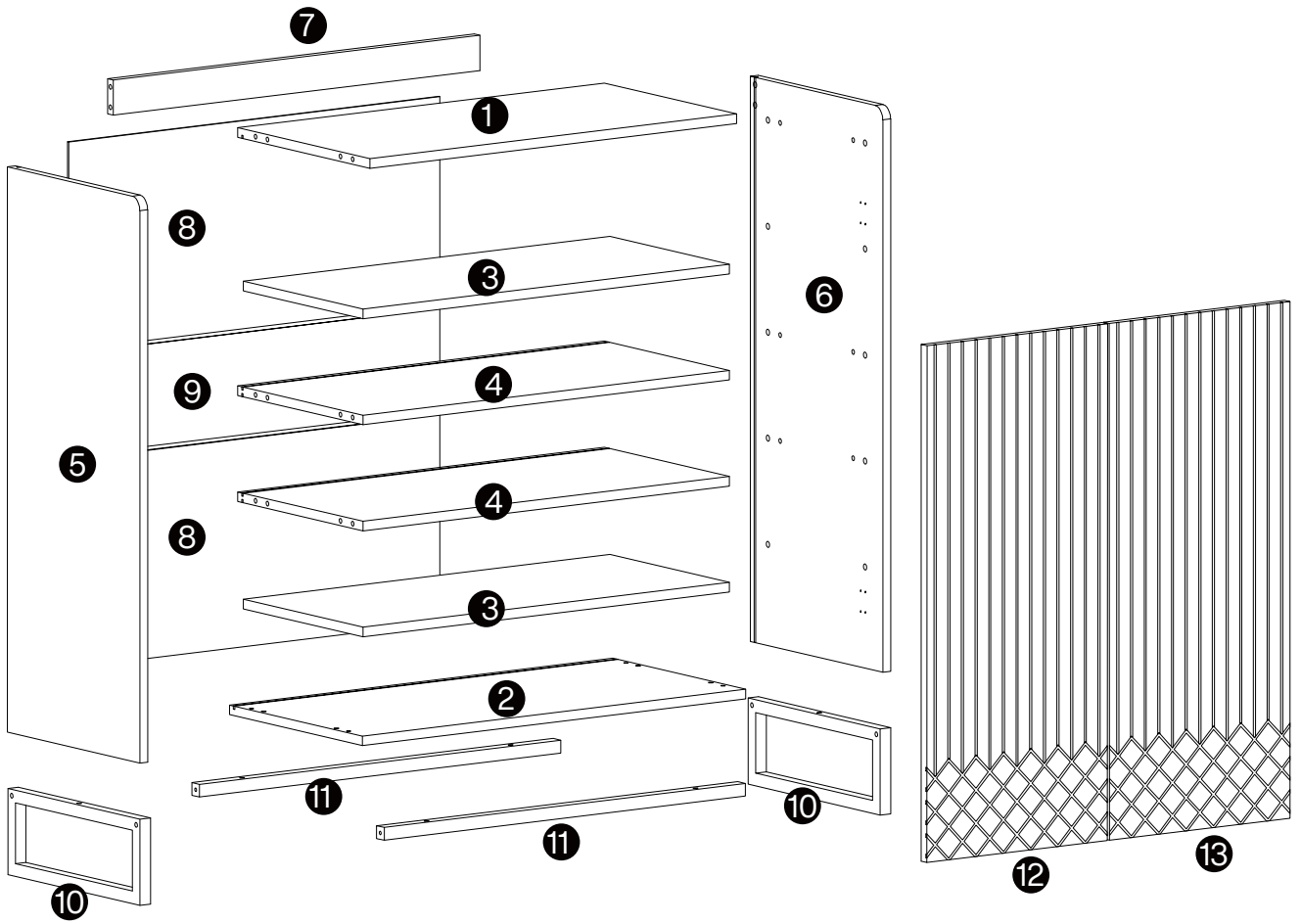
If an electric screwdriver is used, reduce power and torque to avoid damage to the product.



Install the Anti-Tip Straps

Using the anti-tip straps can reduce the risk of tipping over, but can not eliminate it.

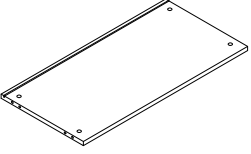
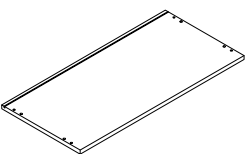
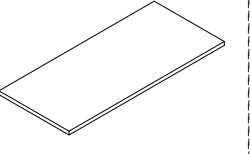
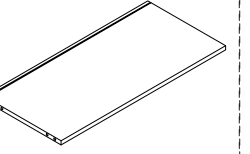
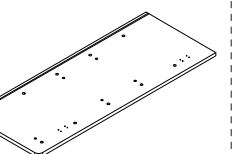
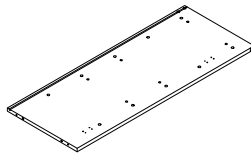
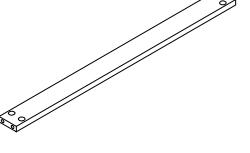
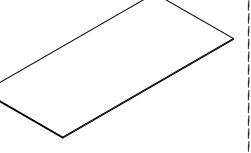
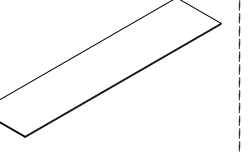
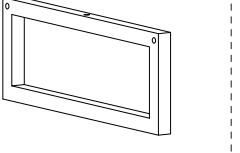
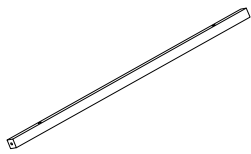
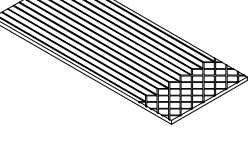
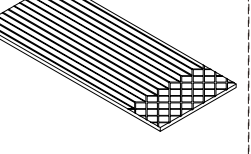













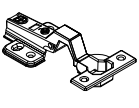

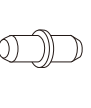

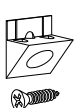
⚠ Caution

Make sure all parts are included. Most board parts are labeled or stamped on the raw edge. Contact us for a free replacement if you encounter any damaged or missing parts.

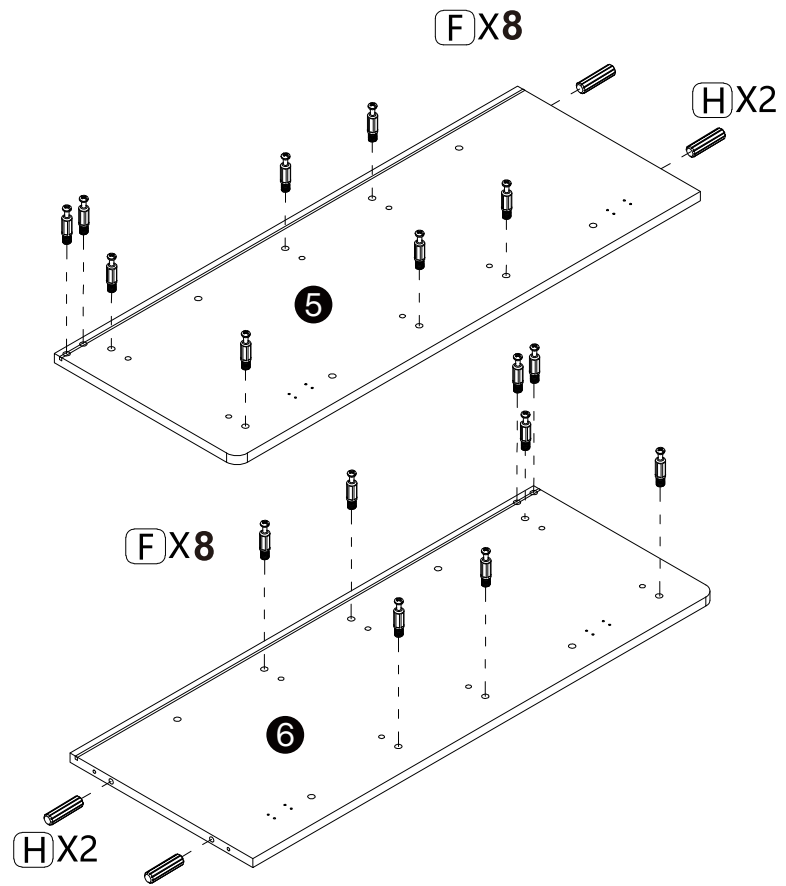
Parts List

				
1 1pc	2 1pc	3 2 pcs	4 2 pcs	5 1pc
				
6 1pc	7 1pc	8 2 pcs	9 1pc	10 2 pcs
				
11 2 pcs	12 1pc	13 1pc		

Hardware List

						
A 4 pcs	B 6 pcs	C 4 pcs	D 2 pcs	E 28 pcs	F 16 pcs	G 16 pcs
						
H 16 pcs	I 4 pcs	J 4 pcs	K 2 pcs	L 8 pcs	M 1 pc	N 18 pcs

1

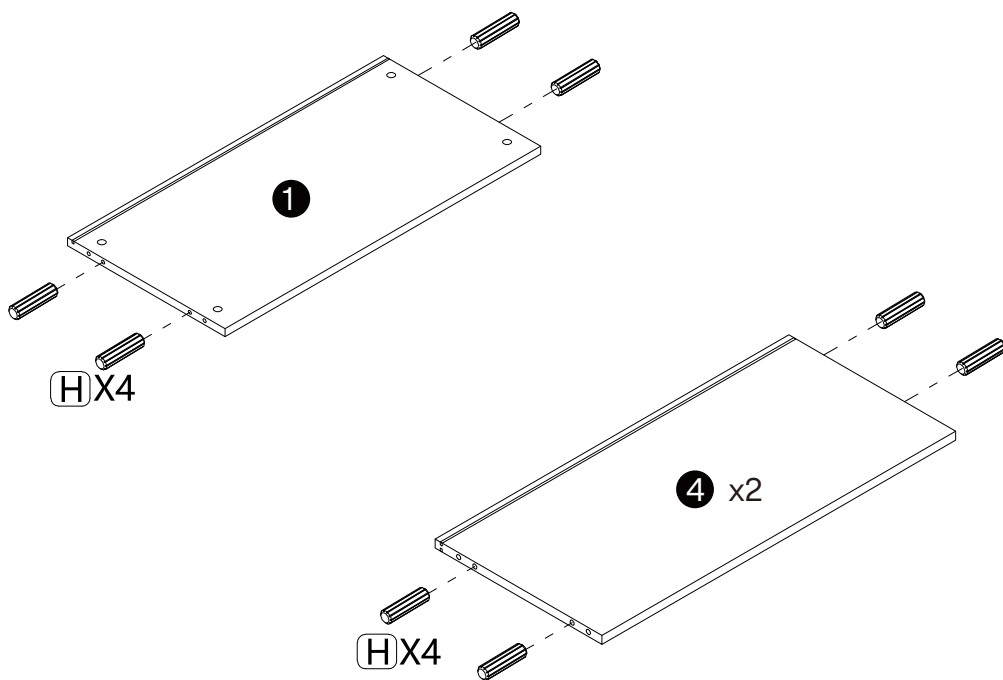


F
16 pcs



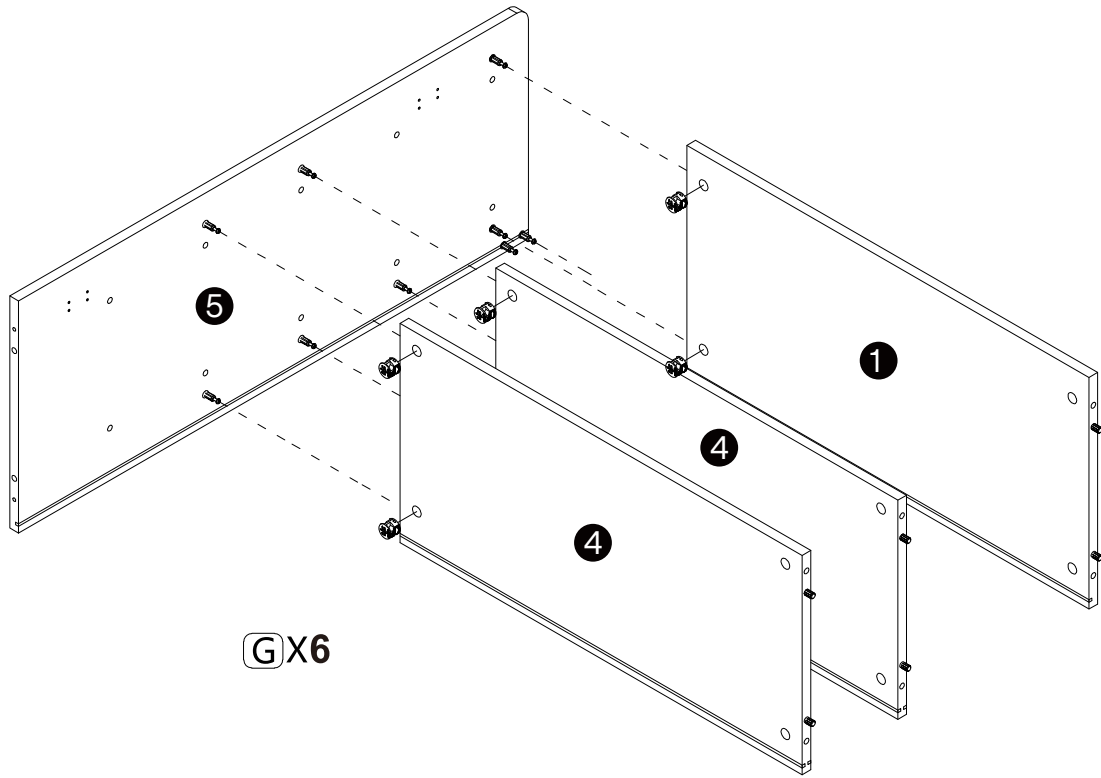
H
4 pcs

2



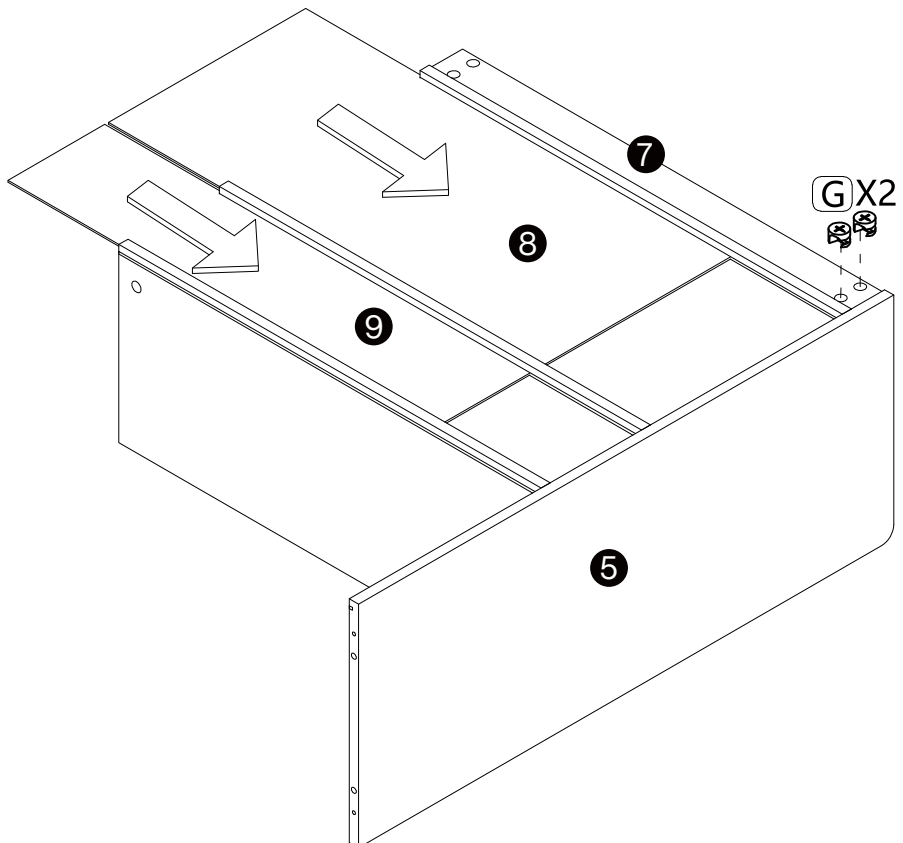
H
12 pcs

3



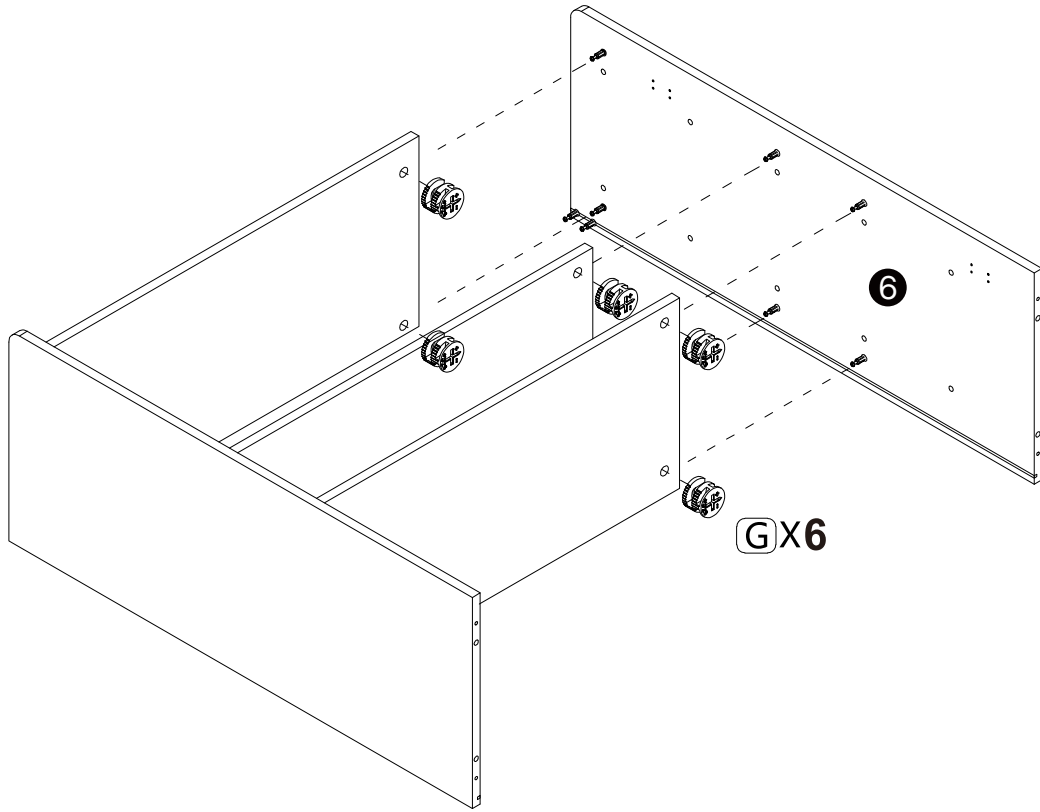
G
6 pcs

4



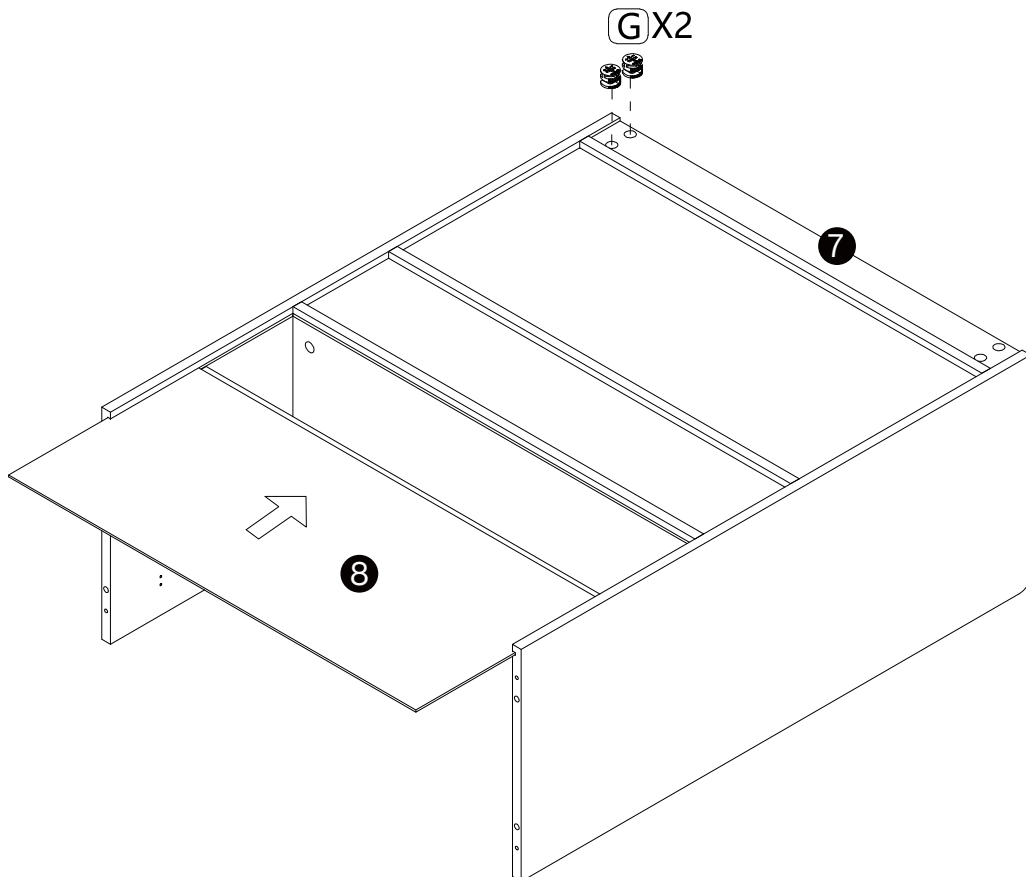
G
2 pcs

5



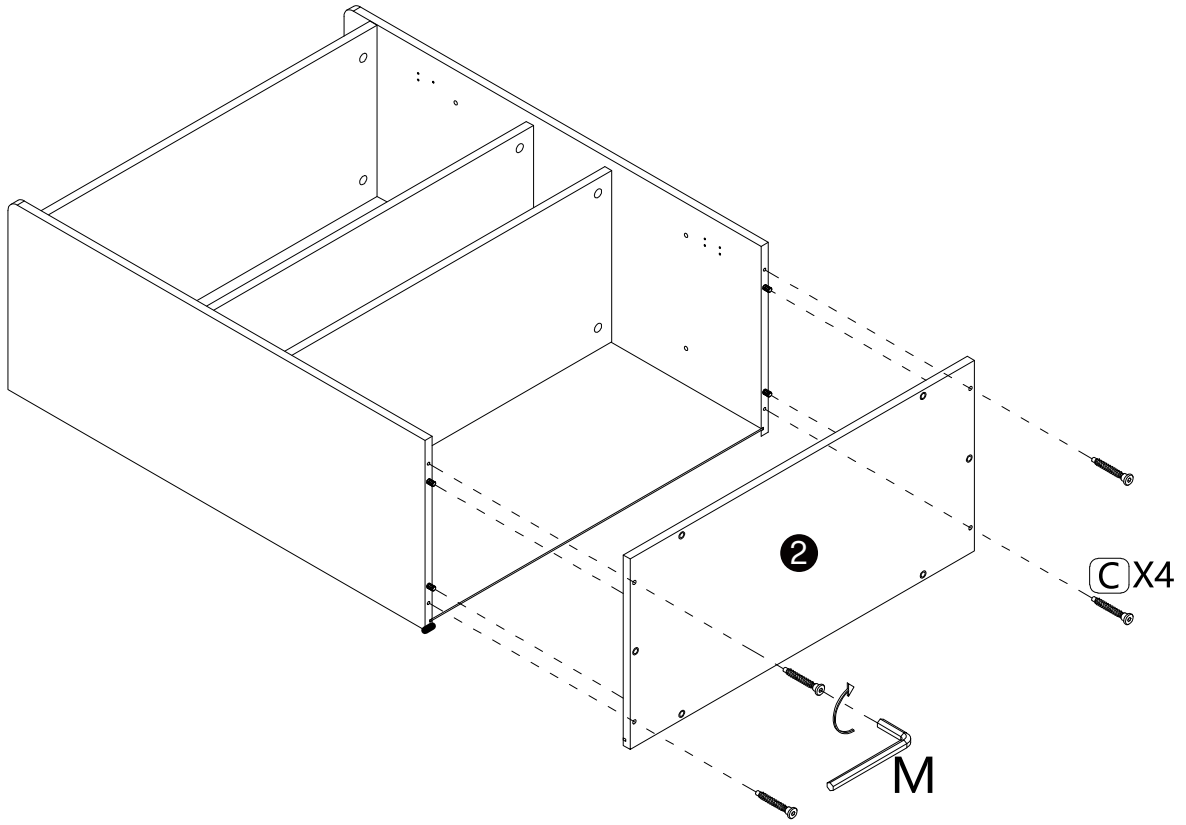
G
6 pcs

6



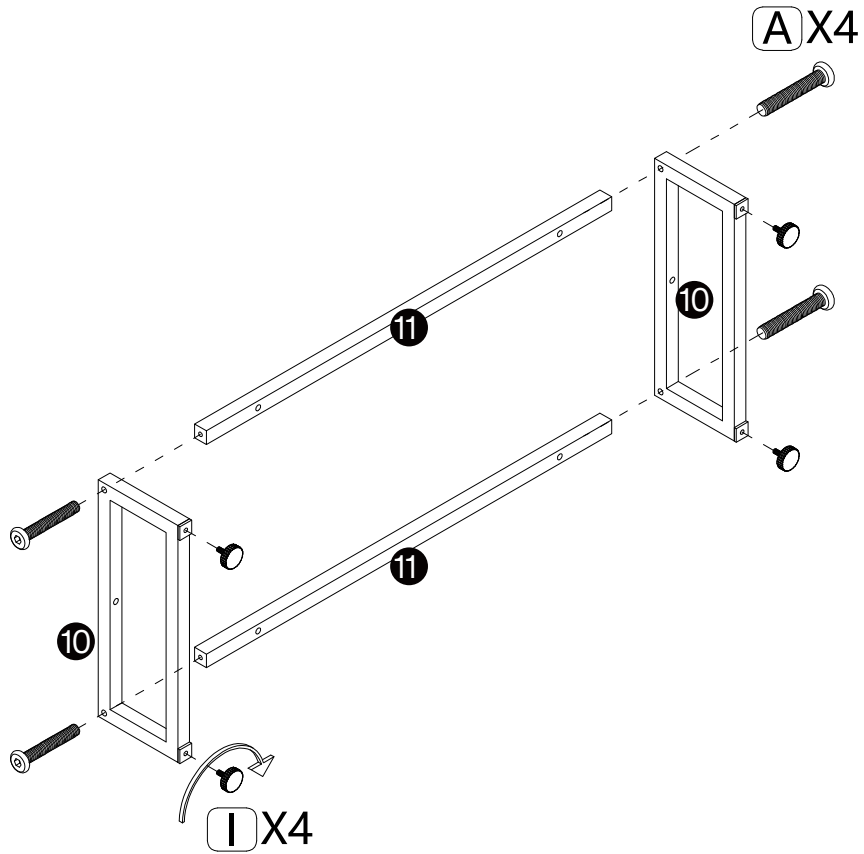
G
2 pcs

7



C
4 pcs

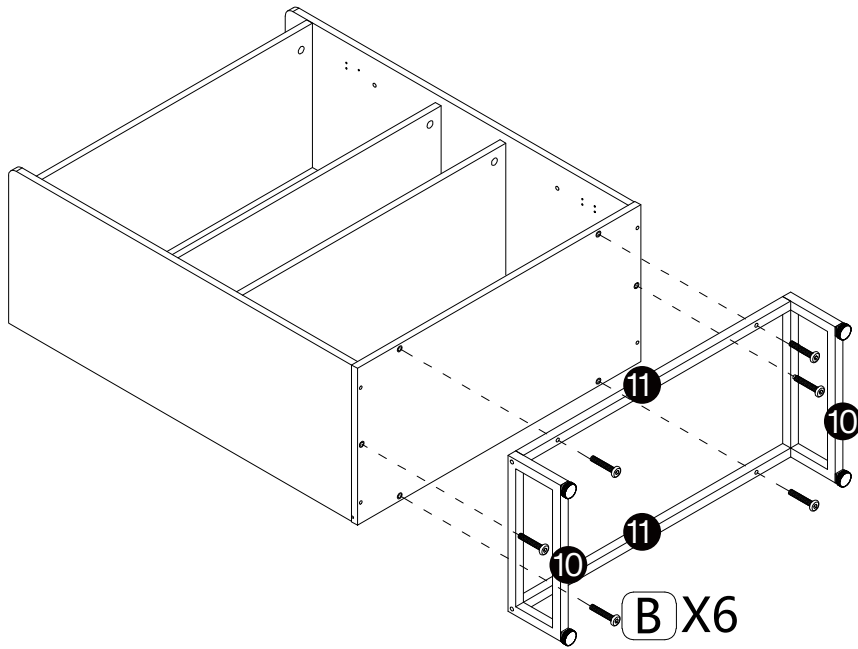
8



A
4 pcs

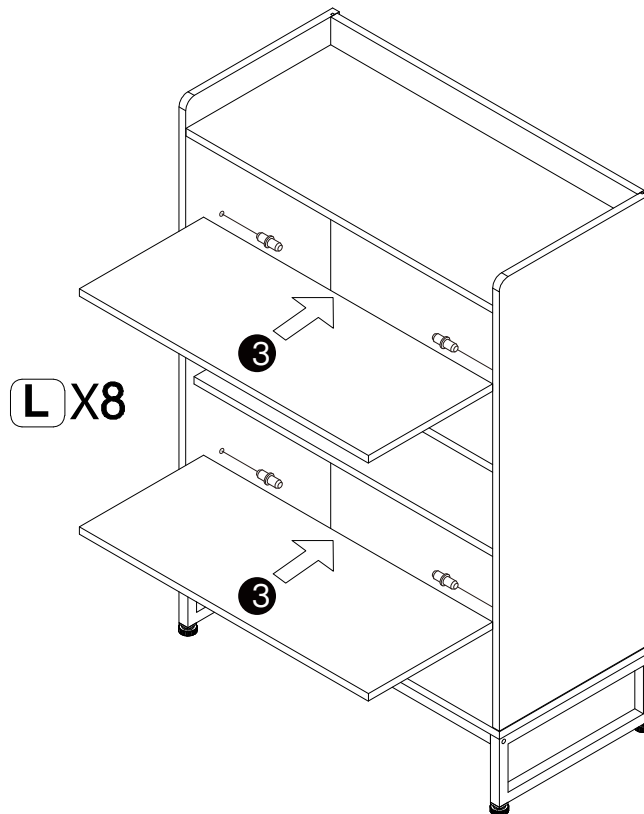
I
4 pcs

9



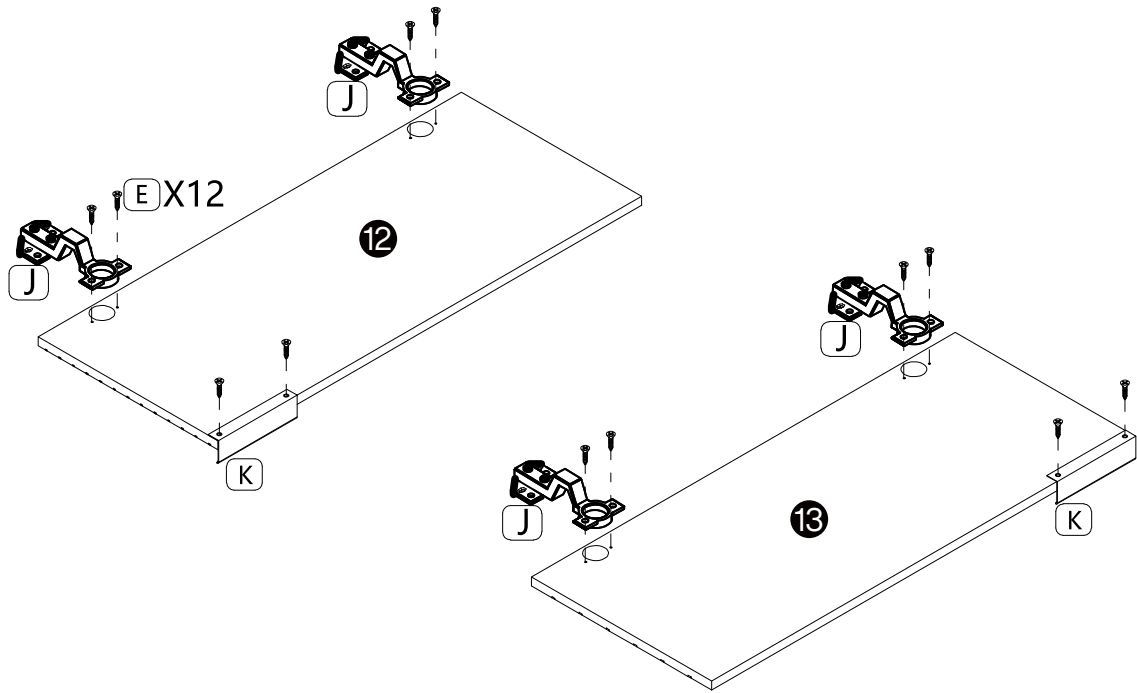
B
6 pcs

10

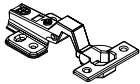


L
8 pcs

11



E
12 pcs

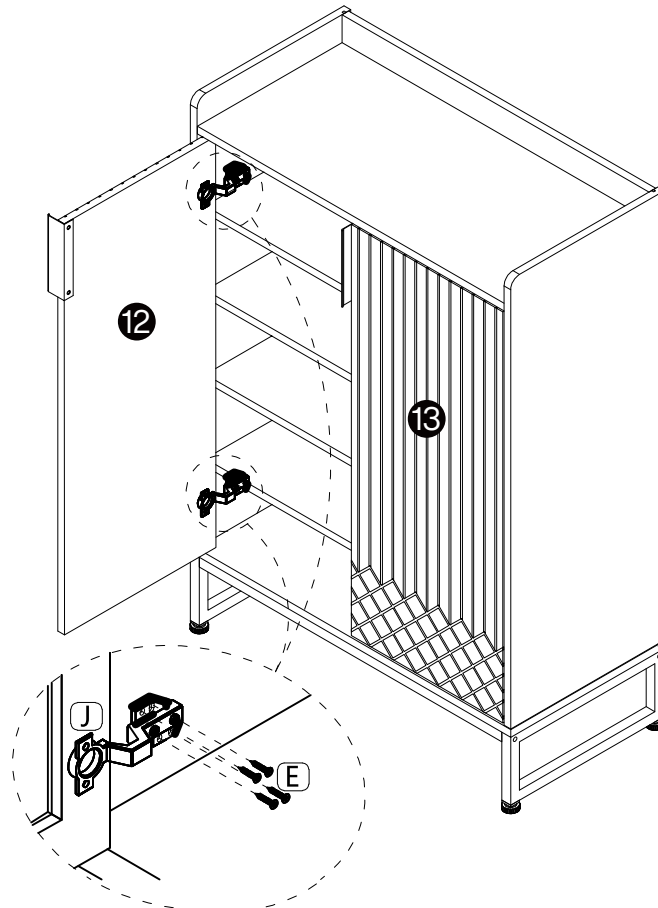


J
4 pcs



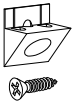
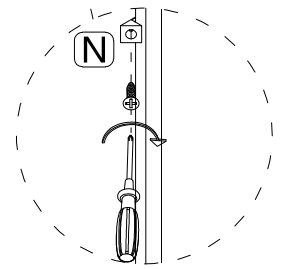
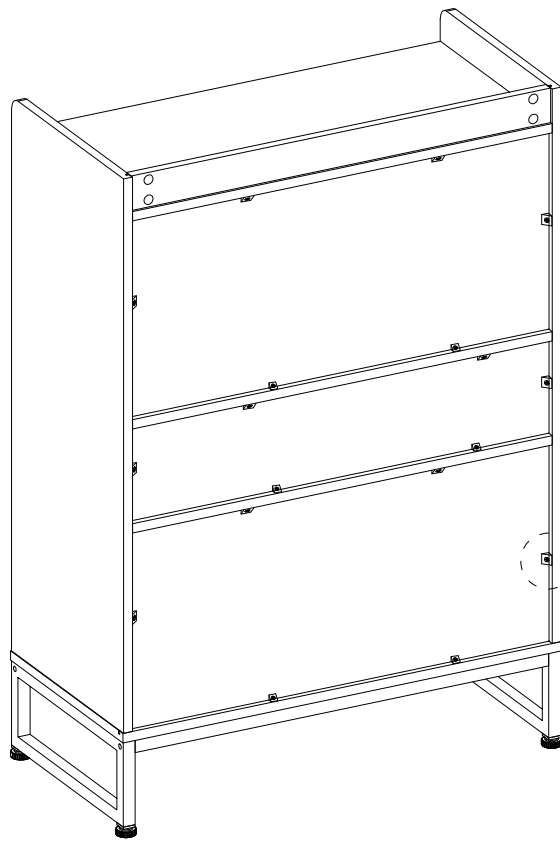
K
2 pcs

12



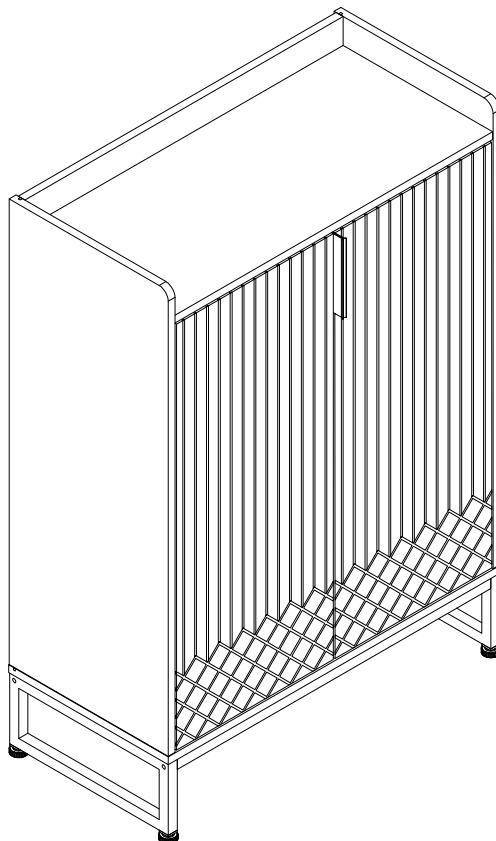
E
16 pcs

13



N
18 pcs

14

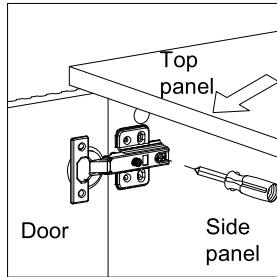


15

TO ADJUST YOUR DOORS TO MAKE THE GAPS MORE EVEN (OPTIONAL).

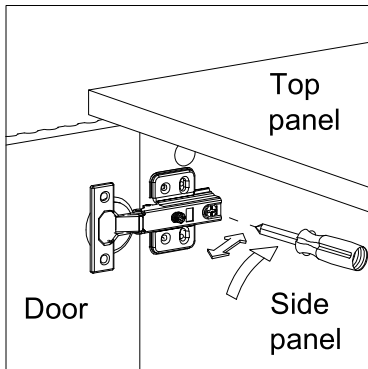
STEP 1

Open the door.



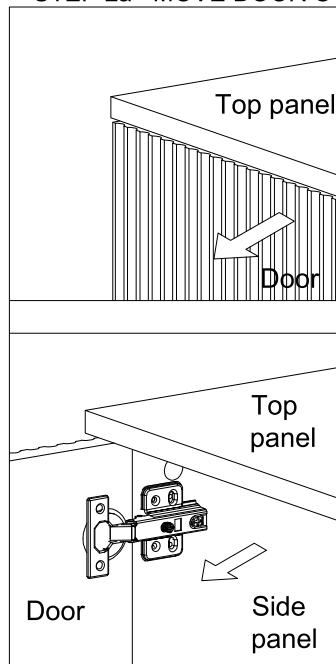
STEP 2

Adjust the door panel to be flush with side panel and top panel edge.



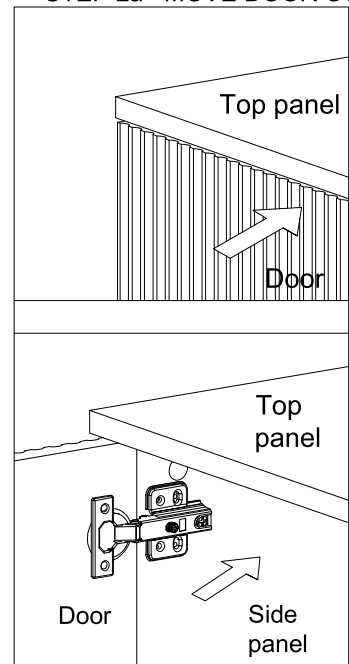
Loosen the screw indicated a little, adjust the hinge to right position (see step 2a & 2b), then tighten the screw.

STEP 2a MOVE DOOR OUT



Pull the hinge forward a little.

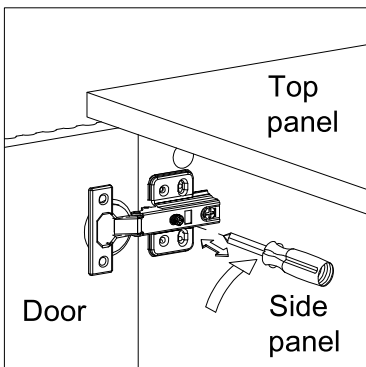
STEP 2a MOVE DOOR OUT



Pull the hinge forward a little.

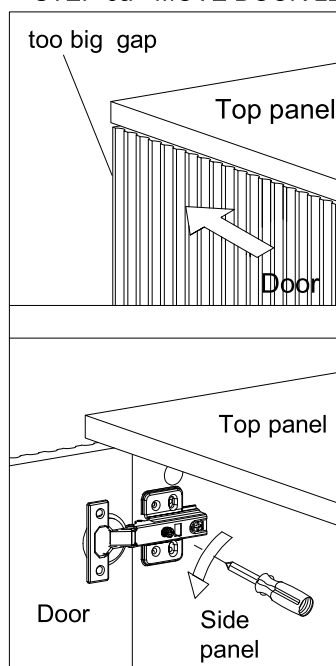
STEP 3

Adjust the gap between door panel and side panel.



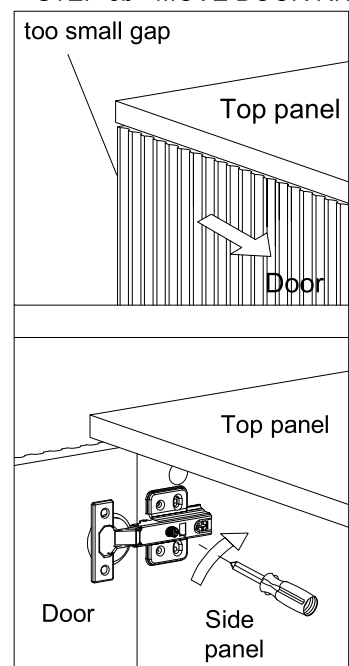
Loosen or tighten the screw indicated a little to adjust the gap between the door panels, adjust the hinge to right position (see step 3a & 3b).

STEP 3a MOVE DOOR LEFT



Turn the screw clockwise a little as shown to make the gap small.

STEP 3b MOVE DOOR RIGHT



Turn the screw counterclockwise a little as shown to make the gap big.



Plastic anchor
M4x30

x2



M4x30

x2



M4x14

x2



Plastic connectors

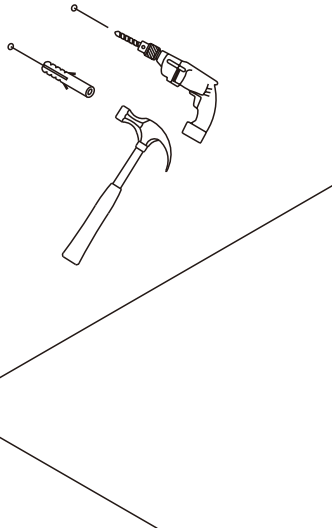
x4



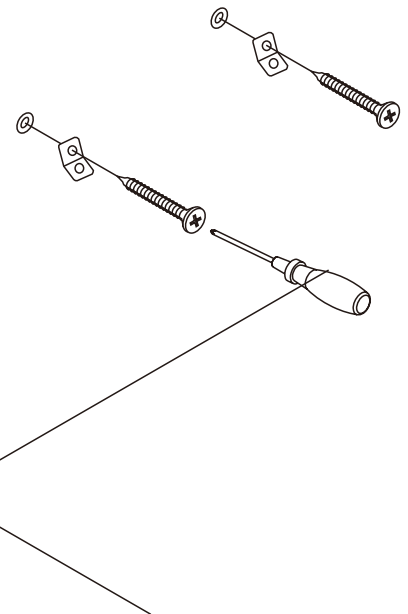
Nylon Strap

x2

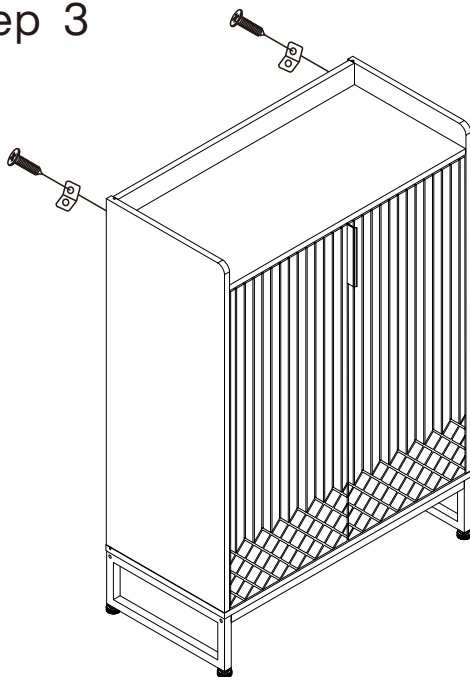
Step 1



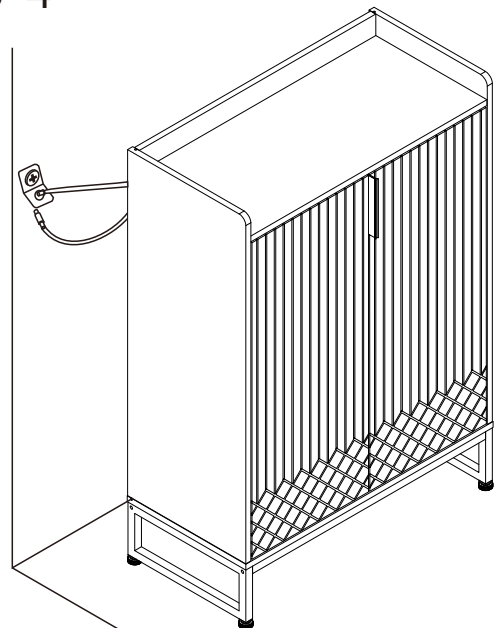
Step 2



Step 3



Step 4



Thank you for your support!

