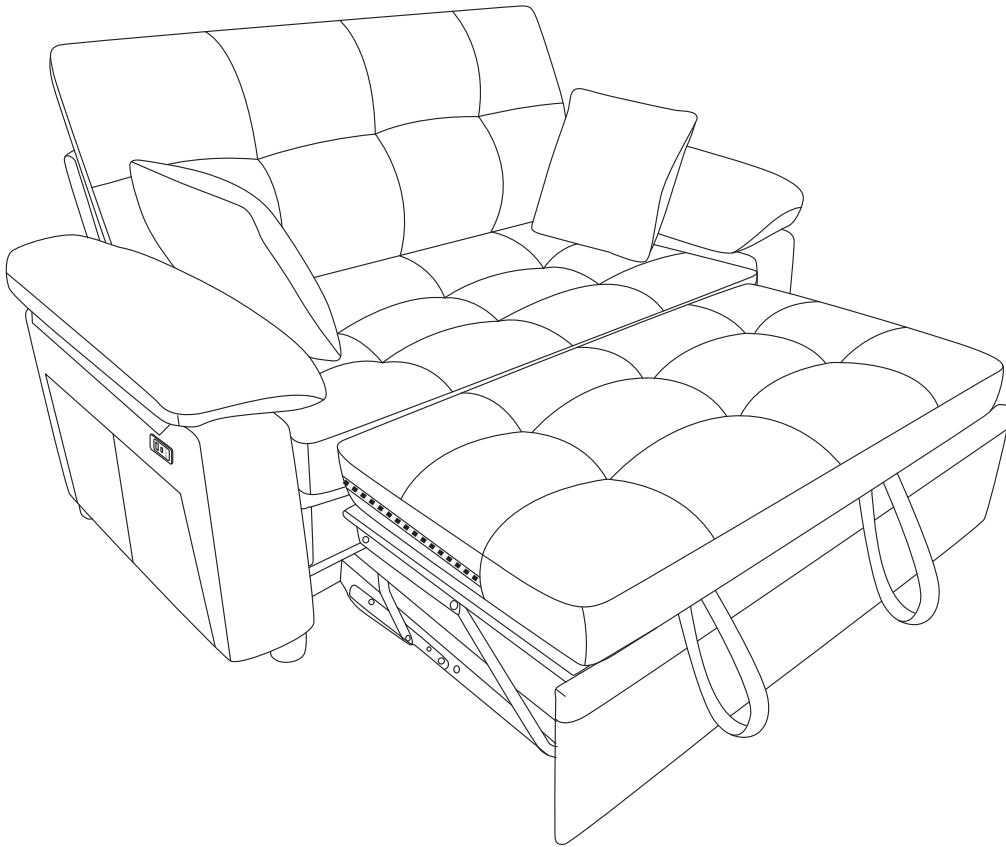


User's Manual

Sofa





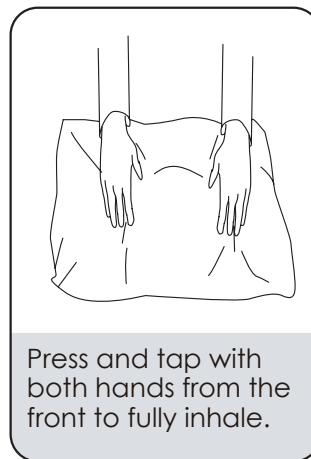
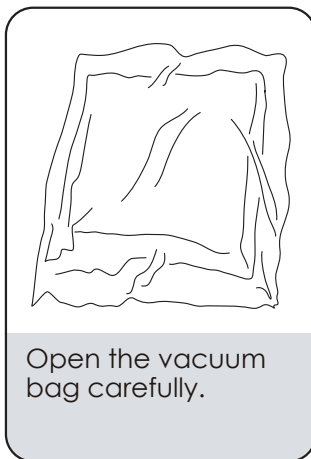
Safety and Care Advice

Important - Please read these instructions fully before starting assembly

Thanks for your purchase. Before assembling, please follow the instructions to check if all the spare parts and screws are intact.

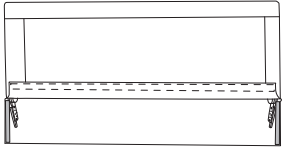
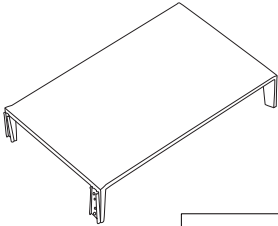
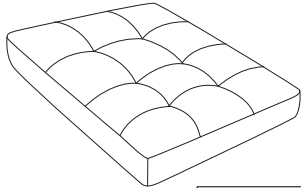
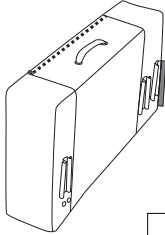
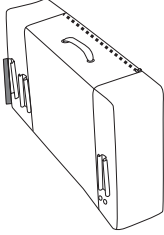
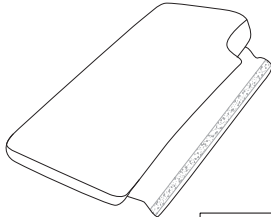
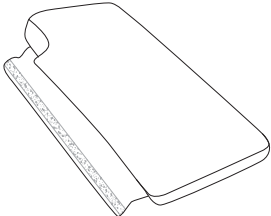
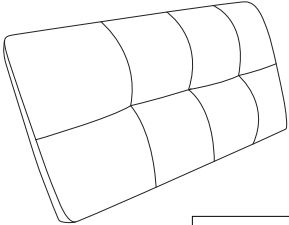
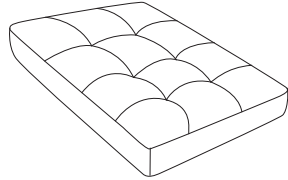
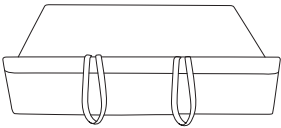
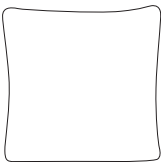
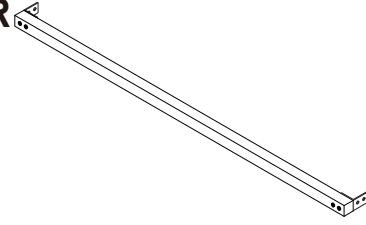


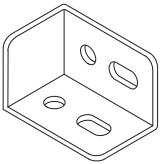
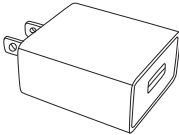

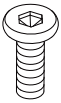

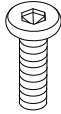

- Considering the size and weight of the sofa, we recommend two adults to assemble the sofa, on a carpeted or padded area, in the room that it is intended for. Approximate assembly time: 30 minutes.
- Please do not throw away any of the packaging or the instruction until you have checked all the components and hardware and the furniture is fully assembled. Please ensure that the packaging is disposed in a safe and environmentally friendly way.
- Keep all components and packaging out of reach of children or animals to avoid the risk of choking or suffocation.
- Please do not take off the cover, and do not wash.

Your cushions come vacuum packed and sealed for shipping. To restore the cushion's original shape, follow the steps below.



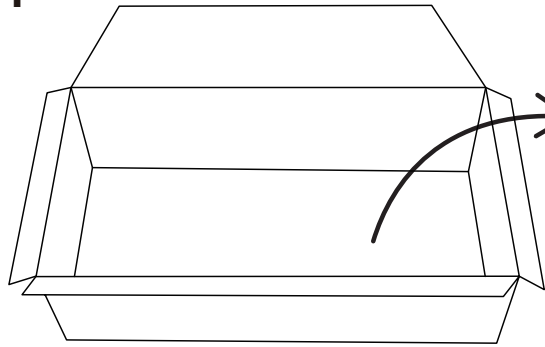
After packing up, place them somewhere dry and ventilated. After about 72-96 hours, it can be restored to the best-use condition.

Parts List(EN) / Teile Liste(DE)

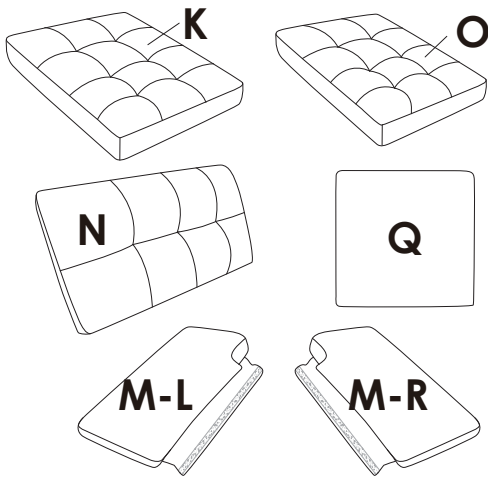
I Backrest frame  <div style="text-align: right; border: 1px solid black; padding: 2px; width: fit-content; margin-left: auto;">1PC</div>	J Seat frame  <div style="text-align: right; border: 1px solid black; padding: 2px; width: fit-content; margin-left: auto;">1PC</div>	K Seat cushion  <div style="text-align: right; border: 1px solid black; padding: 2px; width: fit-content; margin-left: auto;">1PC</div>	
L-L Facing left arm  <div style="text-align: right; border: 1px solid black; padding: 2px; width: fit-content; margin-left: auto;">1PC</div>	L-R Facingleft arm  <div style="text-align: right; border: 1px solid black; padding: 2px; width: fit-content; margin-left: auto;">1PC</div>	M-L Armrest pad cushion  <div style="text-align: right; border: 1px solid black; padding: 2px; width: fit-content; margin-left: auto;">1PC</div>	M-R Armrest pad cushion  <div style="text-align: right; border: 1px solid black; padding: 2px; width: fit-content; margin-left: auto;">1PC</div>
N Back cushion  <div style="text-align: right; border: 1px solid black; padding: 2px; width: fit-content; margin-left: auto;">1PC</div>	O pull out seat cushion  <div style="text-align: right; border: 1px solid black; padding: 2px; width: fit-content; margin-left: auto;">1PC</div>	P Pull out sofa tray frame  <div style="text-align: right; border: 1px solid black; padding: 2px; width: fit-content; margin-left: auto;">1PC</div>	Q Pillow  <div style="text-align: right; border: 1px solid black; padding: 2px; width: fit-content; margin-left: auto;">2PCS</div>
R  <div style="text-align: right; border: 1px solid black; padding: 2px; width: fit-content; margin-left: auto;">1PC</div>	S Feet  <div style="text-align: right; border: 1px solid black; padding: 2px; width: fit-content; margin-left: auto;">4PCS</div>	H Metal foot of backrest frame  <div style="text-align: right; border: 1px solid black; padding: 2px; width: fit-content; margin-left: auto;">1PC</div>	G Metal Stopper  <div style="text-align: right; border: 1px solid black; padding: 2px; width: fit-content; margin-left: auto;">2PCS</div>
F Charger  <div style="text-align: right; border: 1px solid black; padding: 2px; width: fit-content; margin-left: auto;">1PC</div>	E Wheel  <div style="text-align: right; border: 1px solid black; padding: 2px; width: fit-content; margin-left: auto;">4PCS</div>	A M6X20mm  <div style="text-align: right; border: 1px solid black; padding: 2px; width: fit-content; margin-left: auto;">14PCS</div>	B M4  <div style="text-align: right; border: 1px solid black; padding: 2px; width: fit-content; margin-left: auto;">1PC</div>
C M8X20mm  <div style="text-align: right; border: 1px solid black; padding: 2px; width: fit-content; margin-left: auto;">4PCS</div>	D M5  <div style="text-align: right; border: 1px solid black; padding: 2px; width: fit-content; margin-left: auto;">1PC</div>		

Assembly Steps(EN) / Montageschritte(DE)

STEP 1



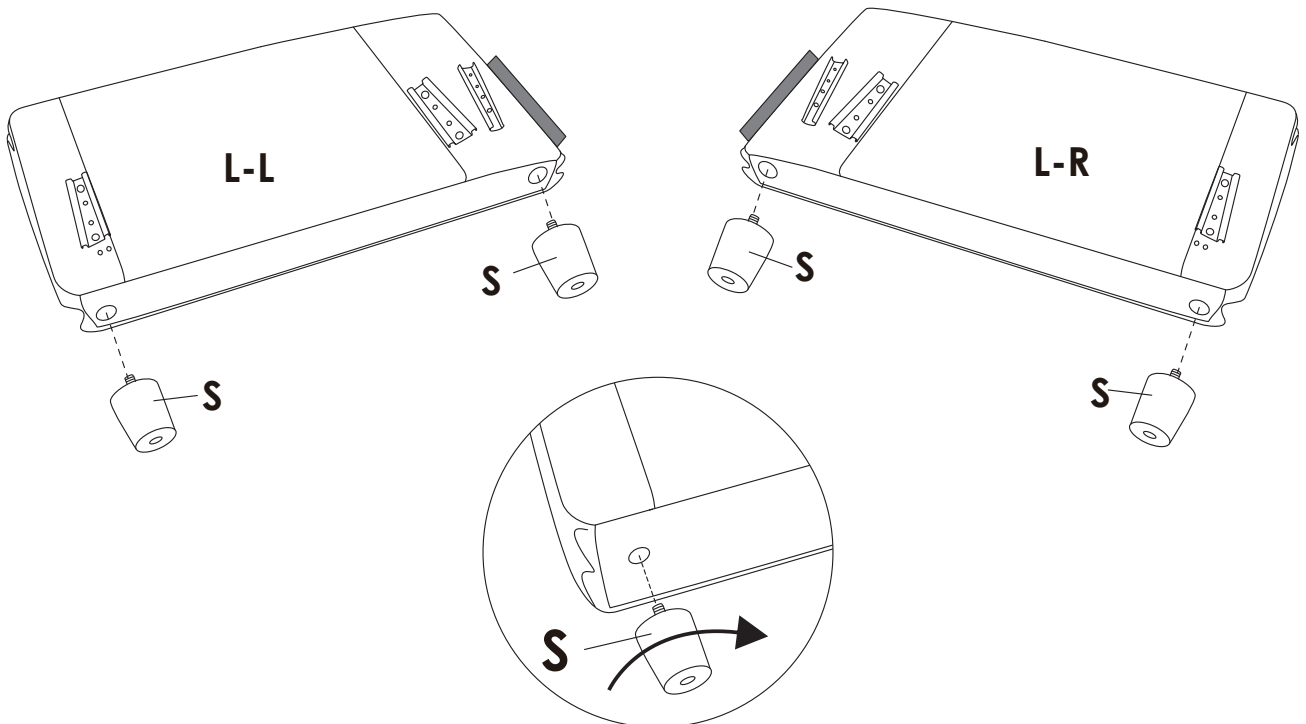
A, B, C, D, E, F, G, H,
I, J, K, L-L, L-R, M-L,
M-R, N, O, P, Q, R, S.



Take out all the parts in the box, and exhaust the compressed screen package to make it naturally fluffy and pat the bag, the effect will be better if it is exposed to the sun.

Pay attention Because of the packaging, if there is a crease on the cover, it is not the quality problem of the product. please iron it with an iron, it will not affect the use

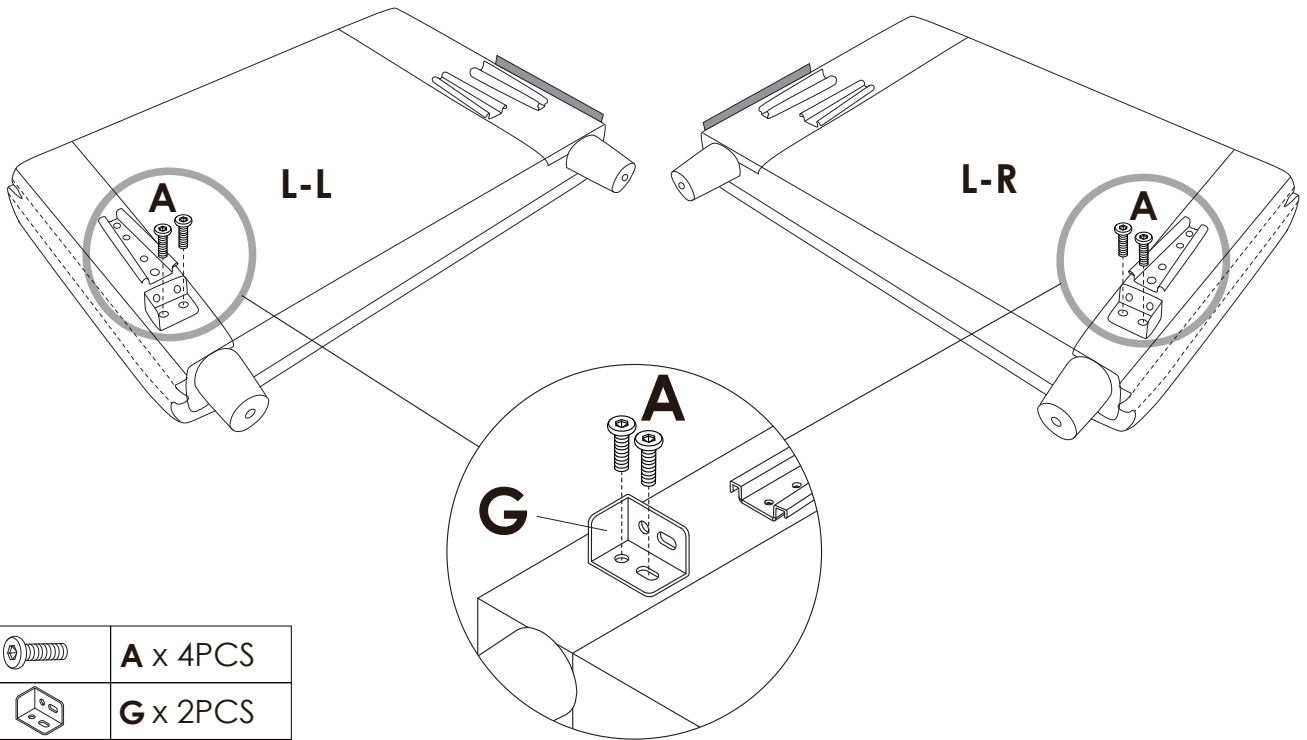
STEP 2

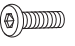
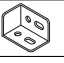



S x 4PCS

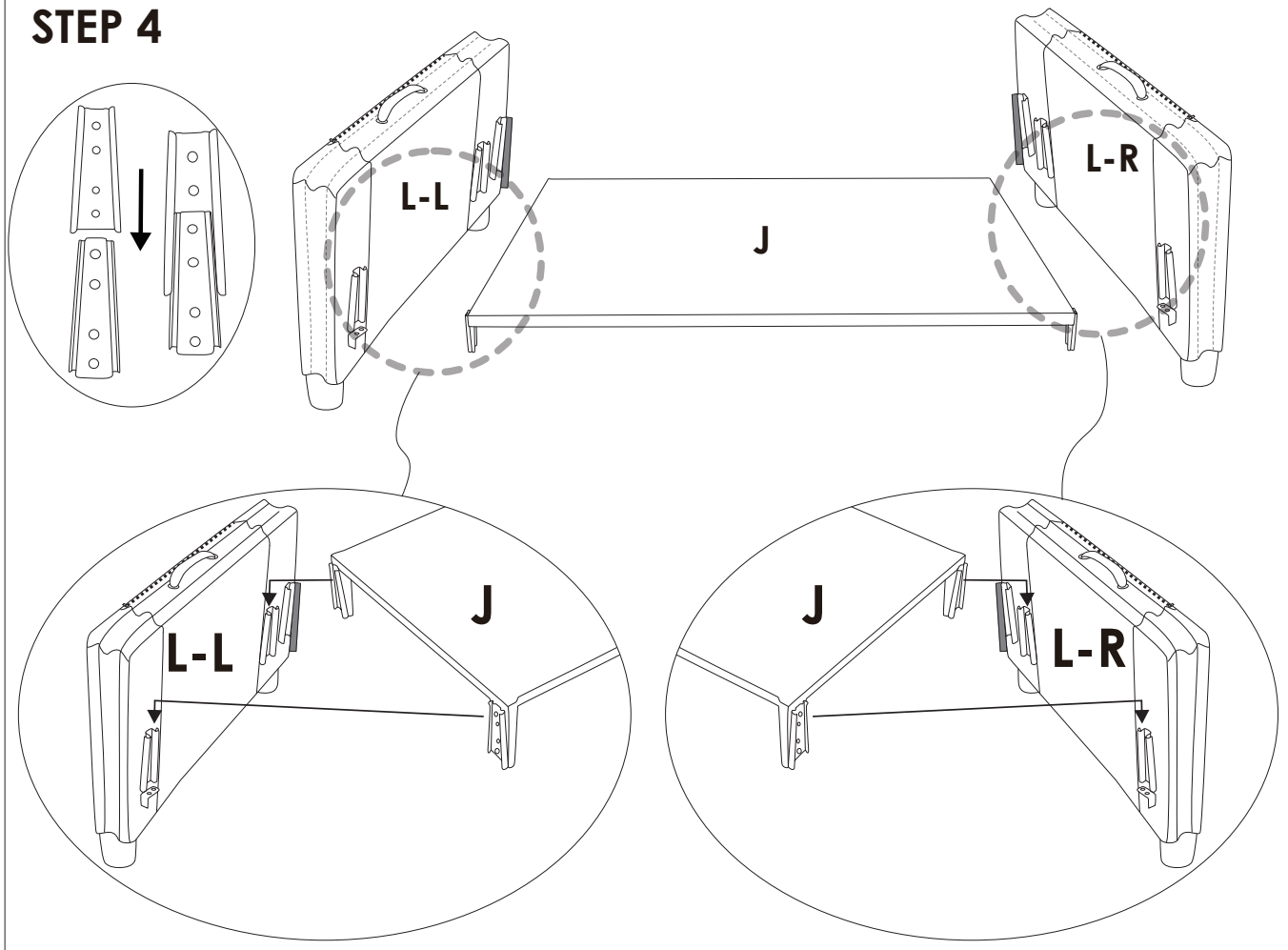
Assembly Steps(EN) / Montageschritte(DE)

STEP 3



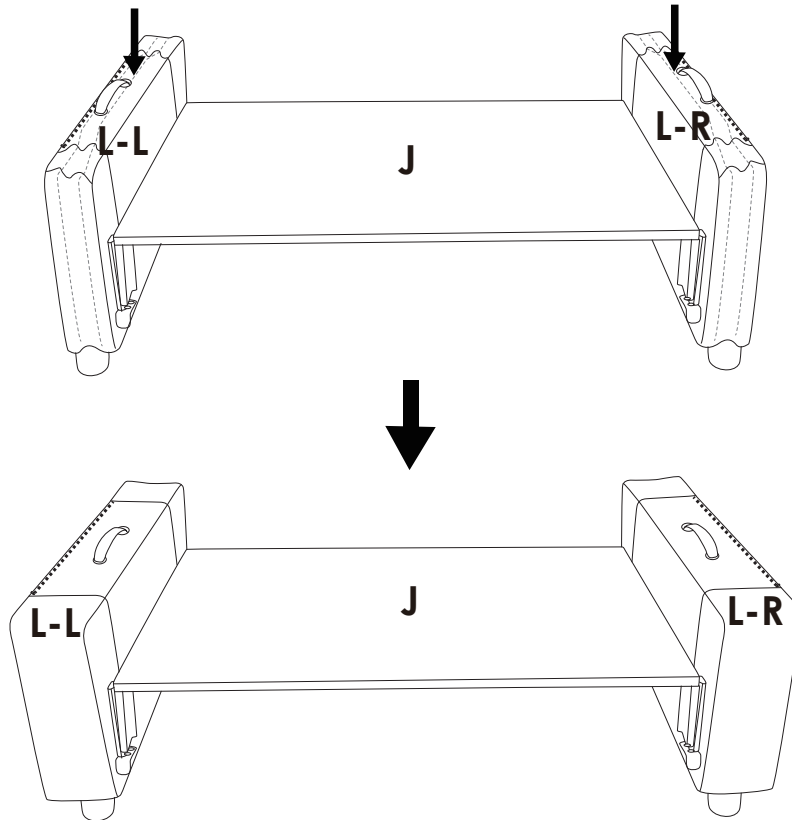
	A x 4PCS
	G x 2PCS
	B x 1PC

STEP 4

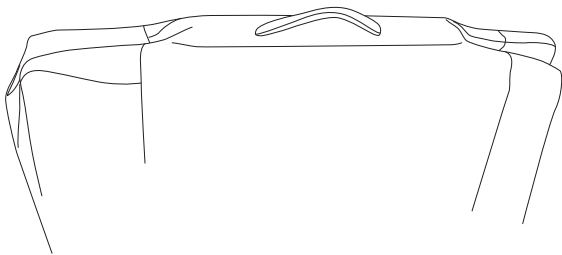


STEP 5

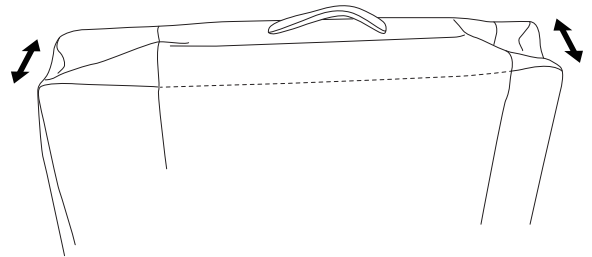
**Press armrest down
to make it wider.**



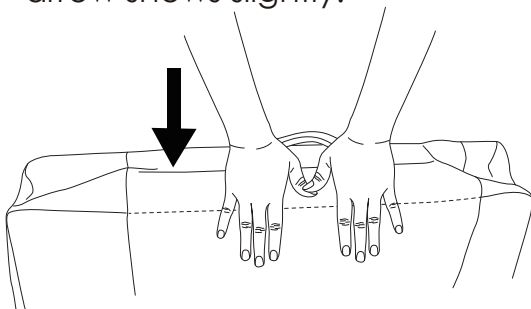
a. The armrest after connect the seat frame (#J)



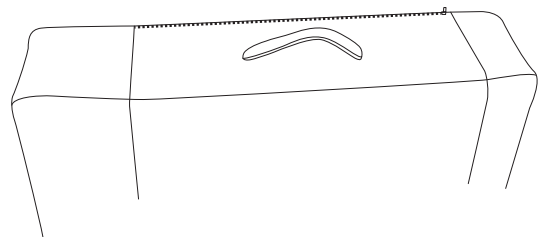
b. Separate the two panels inside the armrest a little.



c. Push the wood frame line as arrow shows slightly.

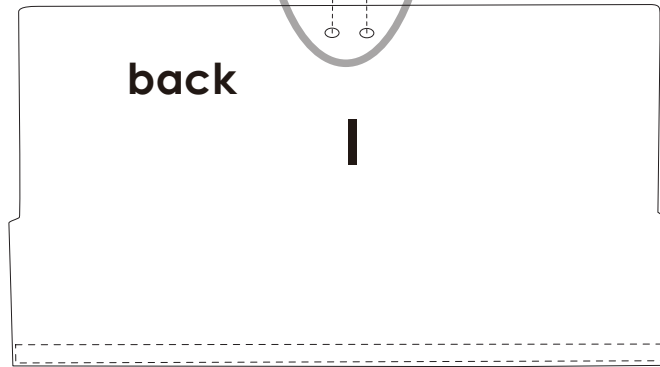
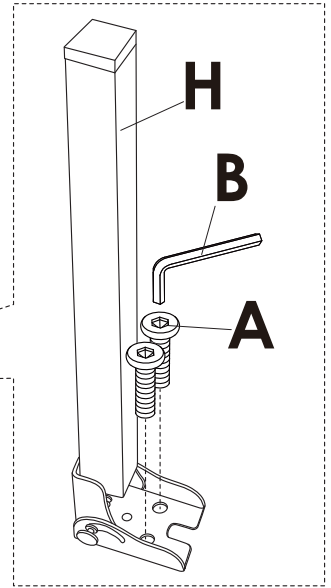
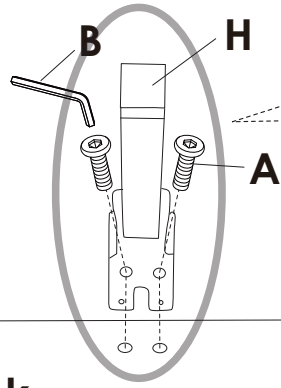
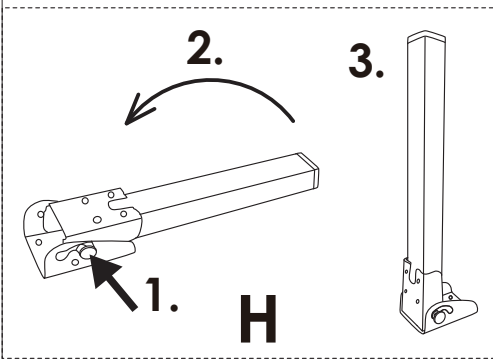



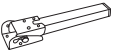

d. The armrest become wider.



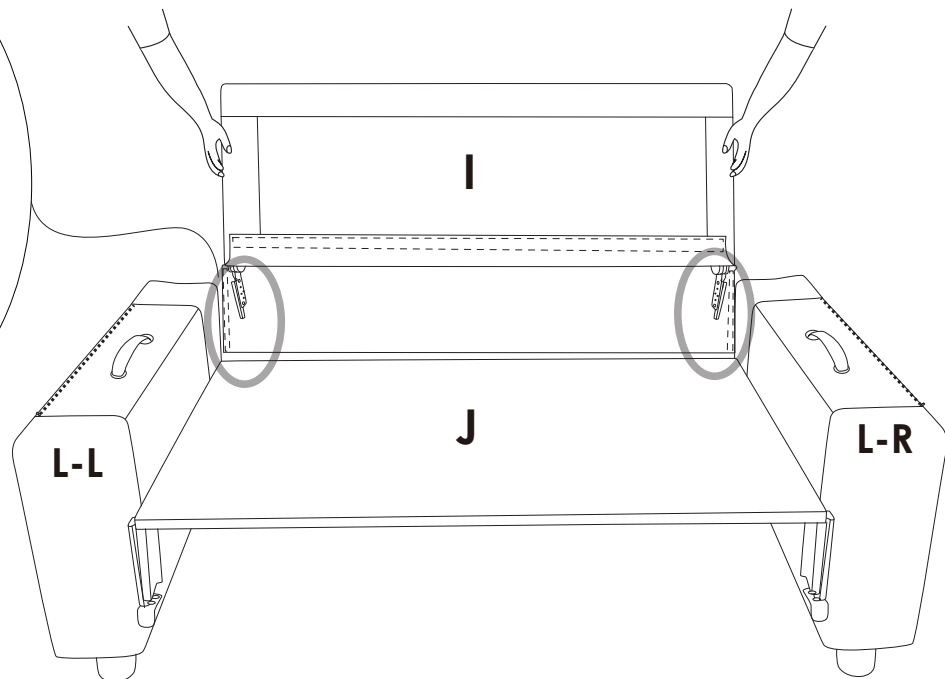
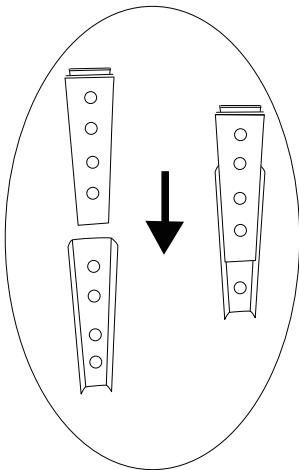
Assembly Steps(EN) / Montageschritte(DE)

STEP 6



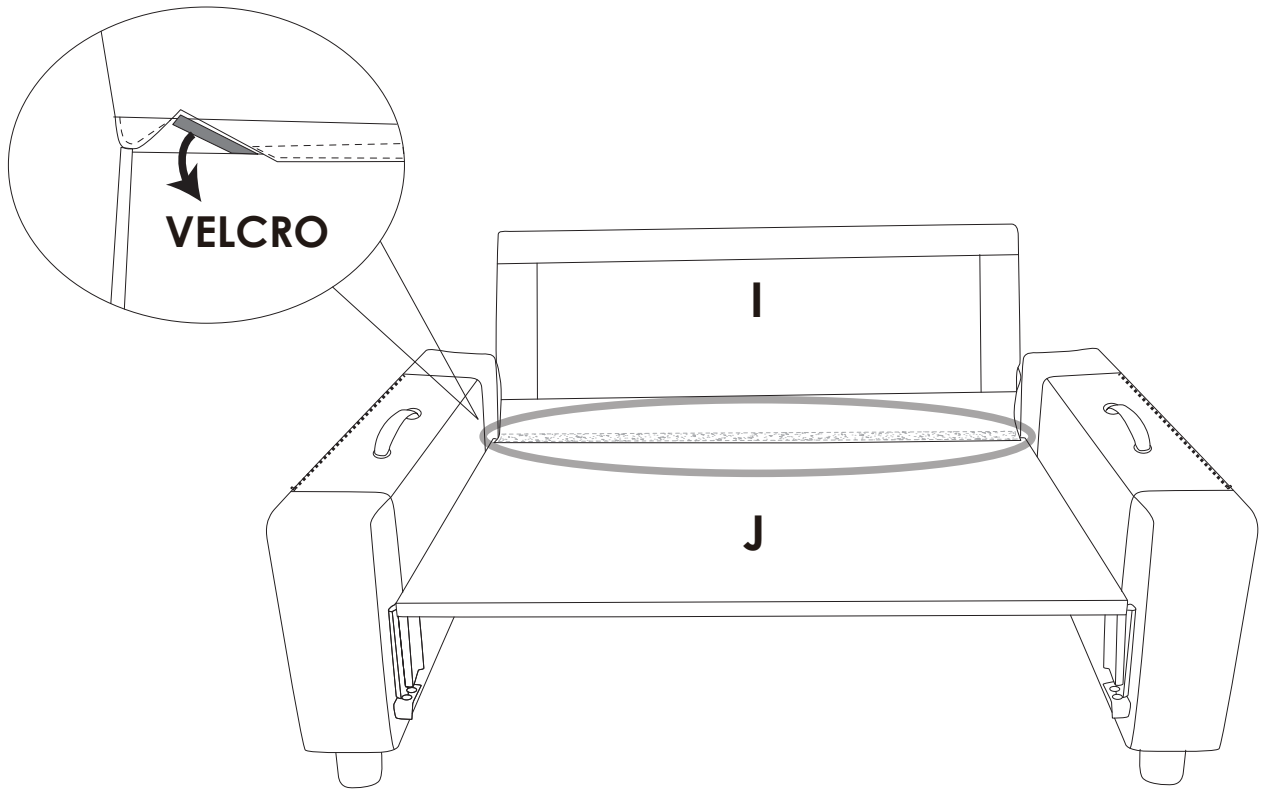
	A x 2PCS
	H x 1PC
	B x 1PC

STEP 7

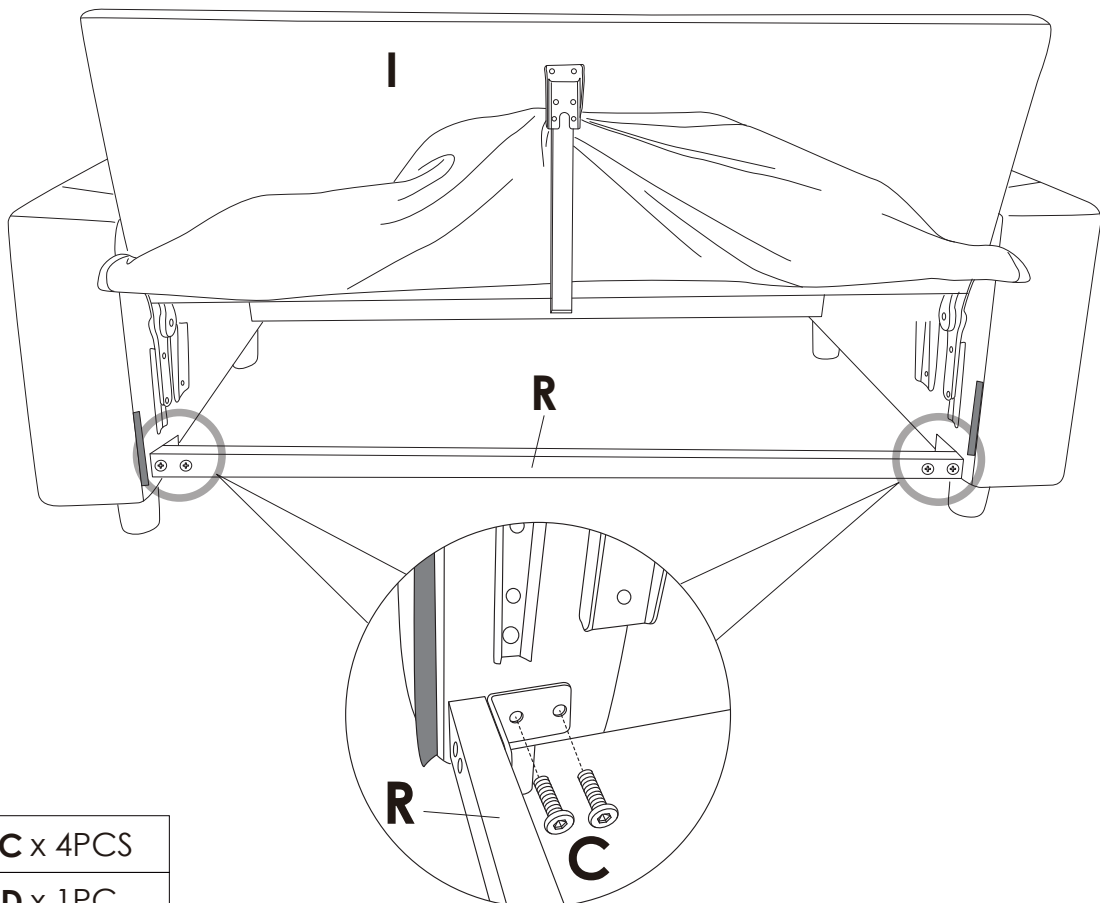




Assembly Steps(EN) / Montageschritte(DE)

STEP 8



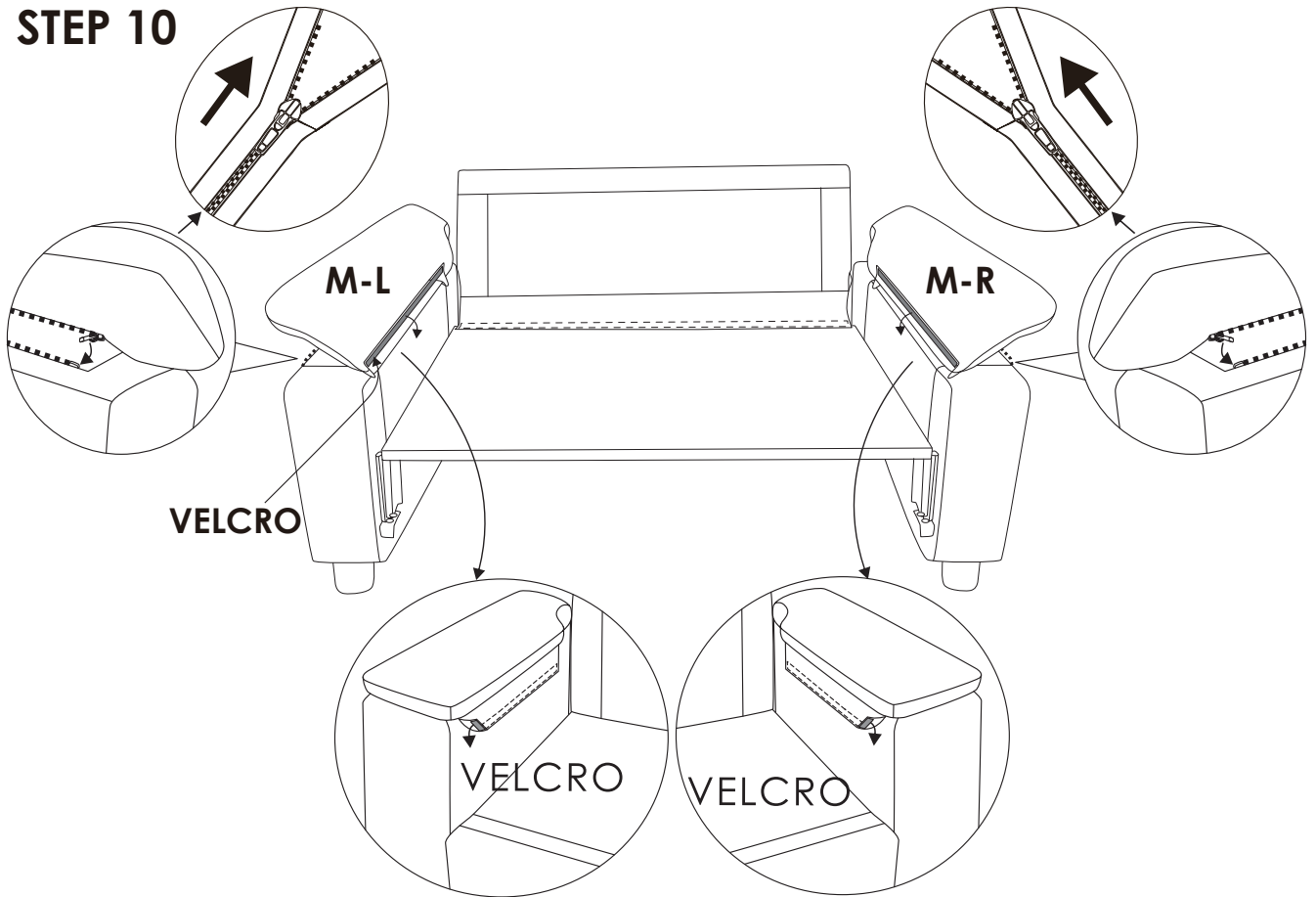
STEP 9



	C x 4PCS
	D x 1PC

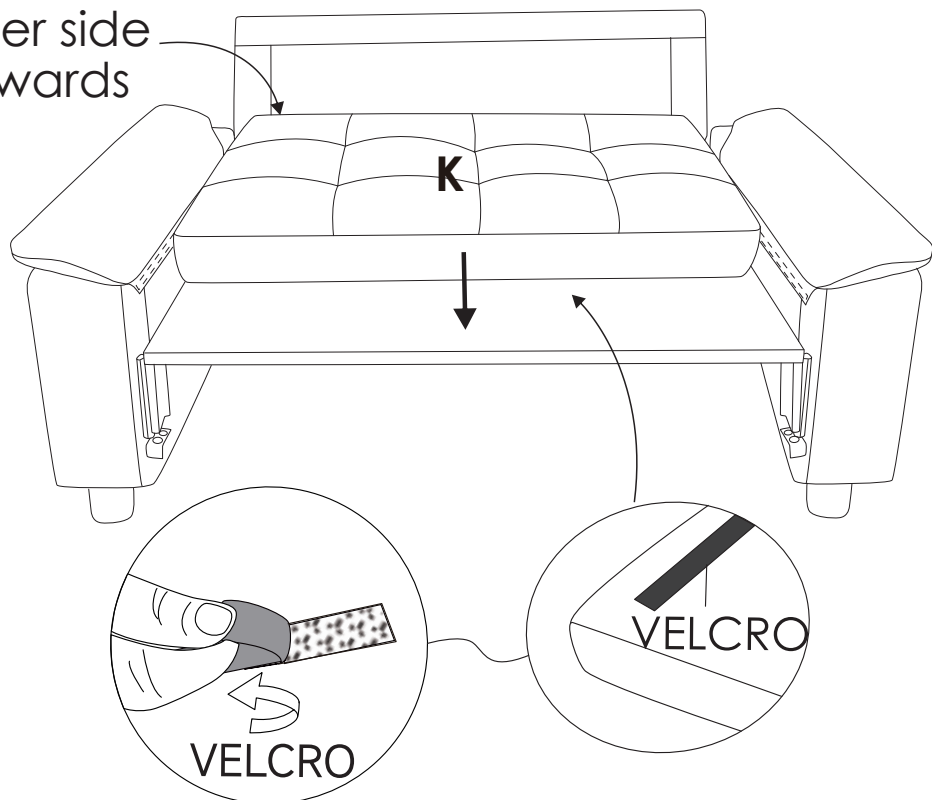
Assembly Steps(EN) / Montageschritte(DE)

STEP 10

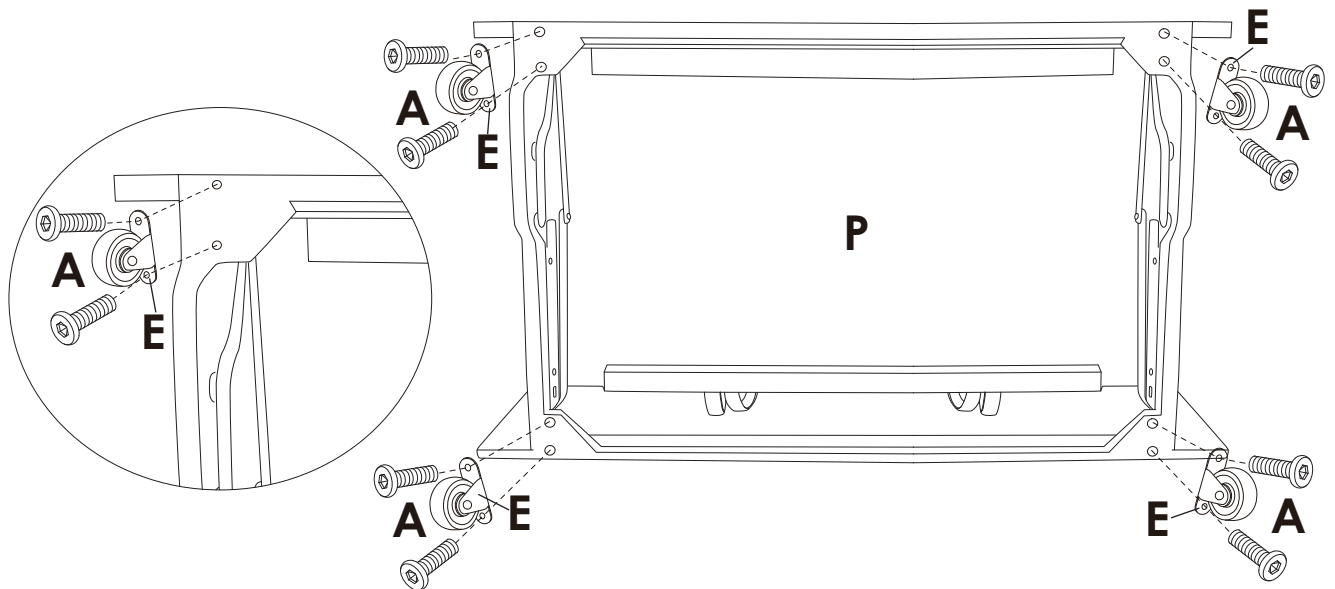
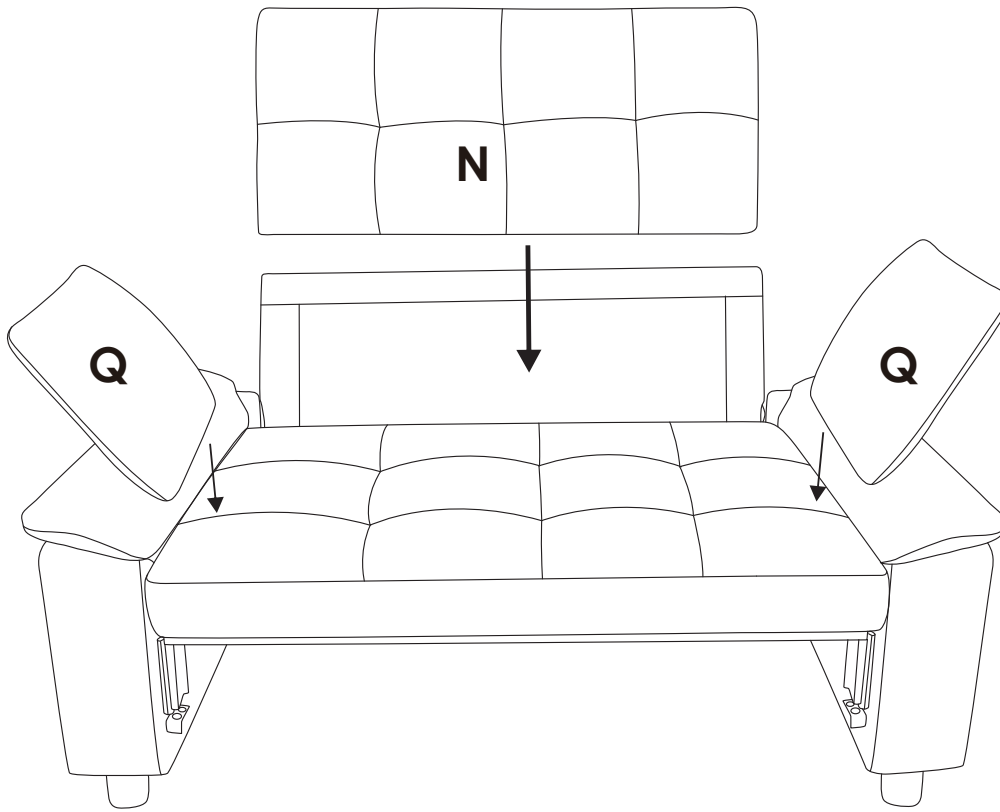





STEP 11

The zipper side faces inwards



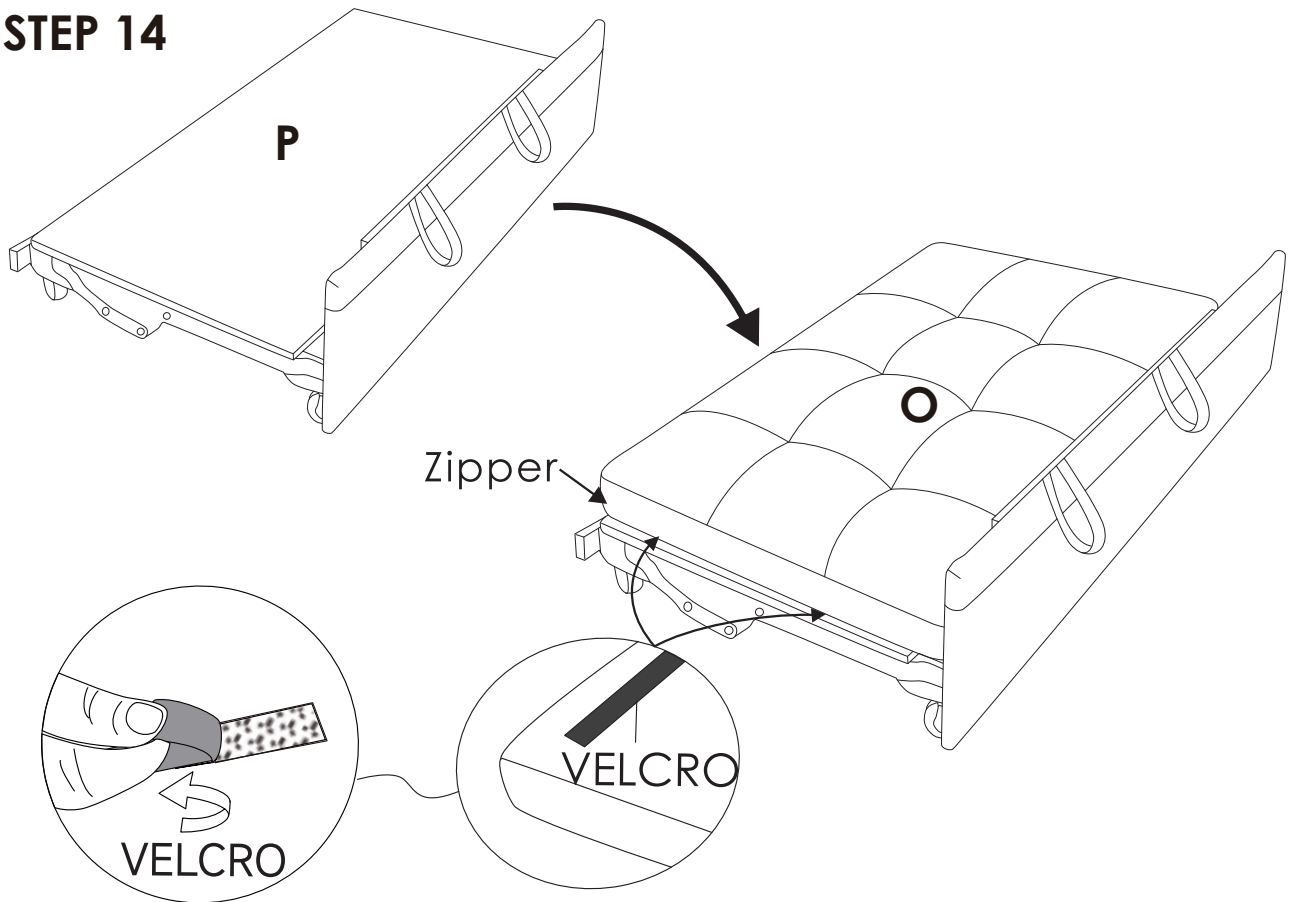
STEP 12



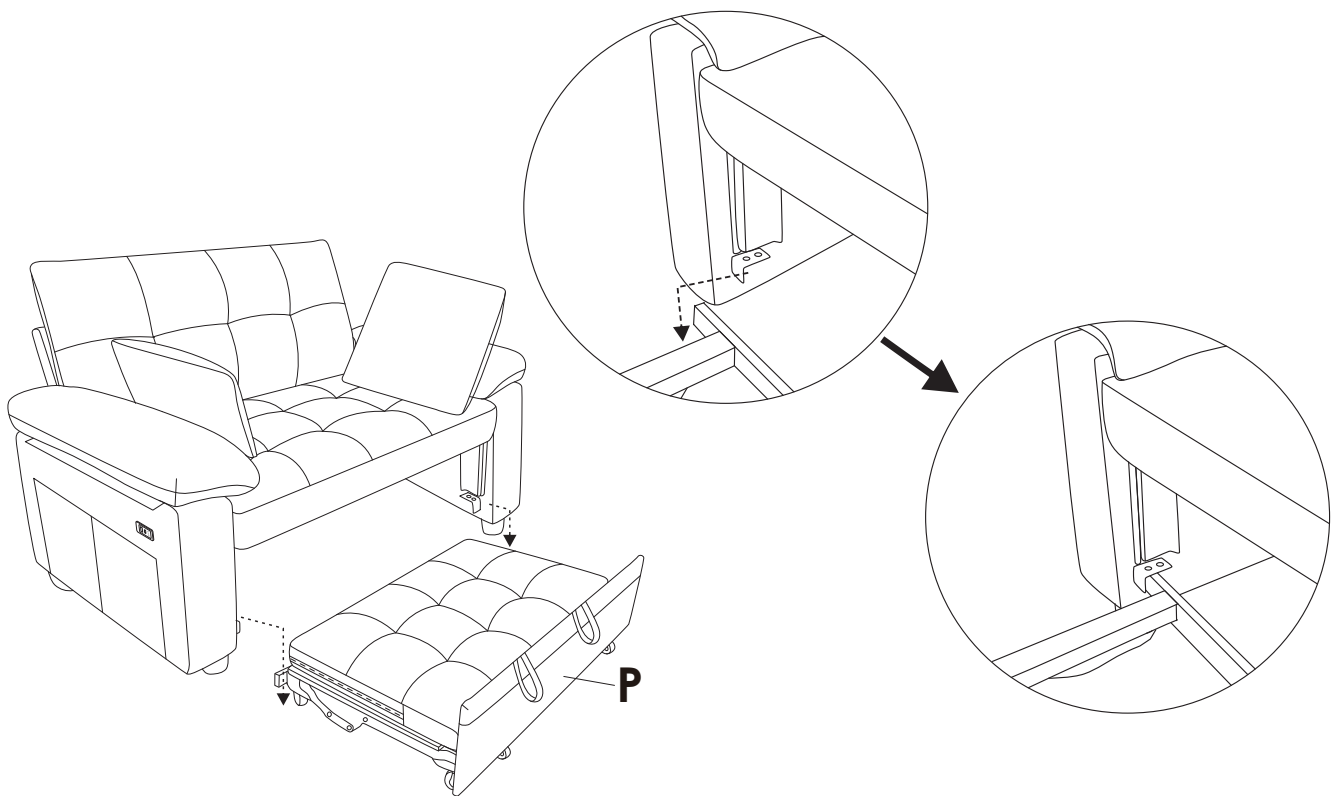
	A x 8PCS
	B x 1PC
	E x 4PCS

Assembly Steps(EN) / Montageschritte(DE)

STEP 14

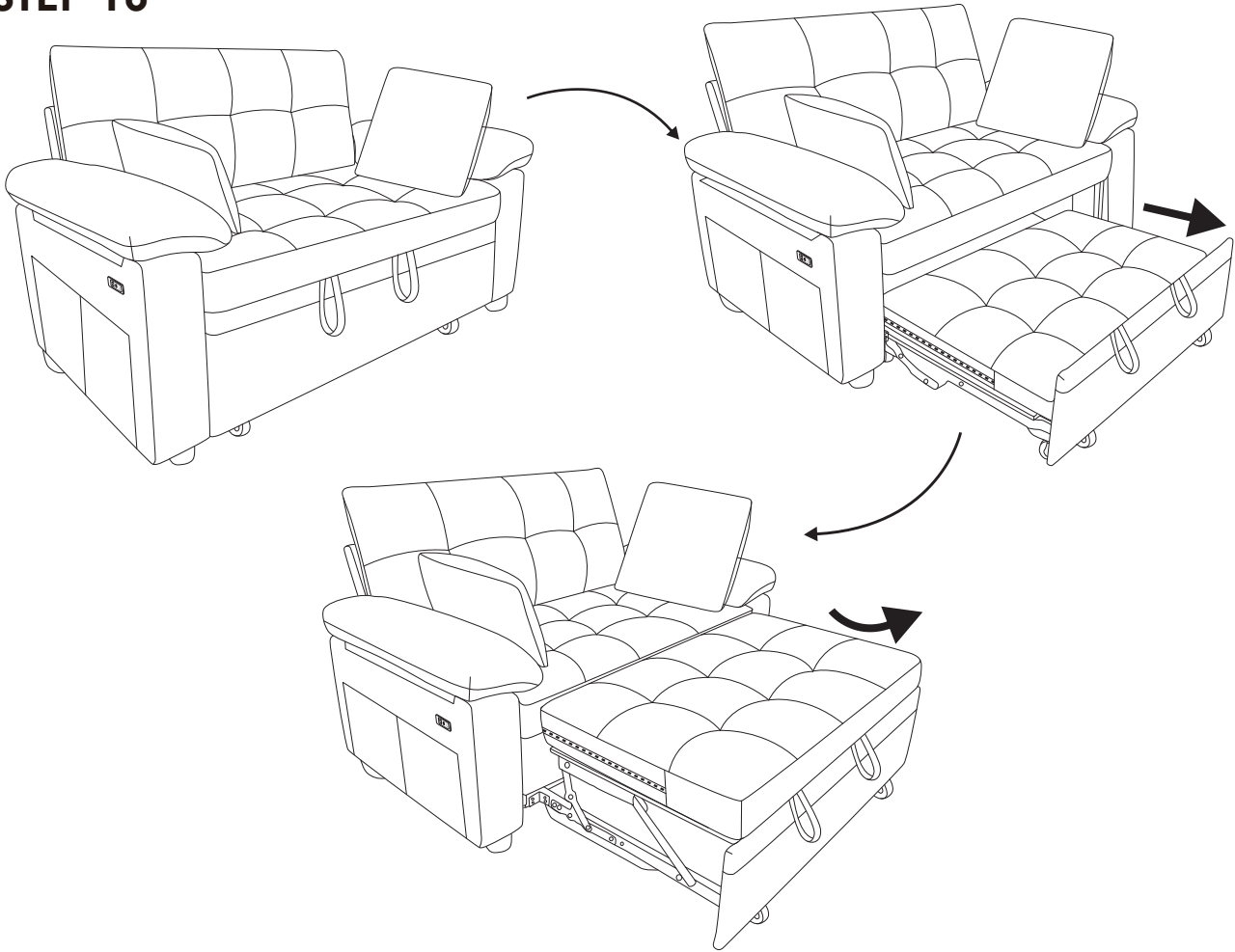


STEP 15 **Noted:** Tilt the #P will put it under the seat frame easily

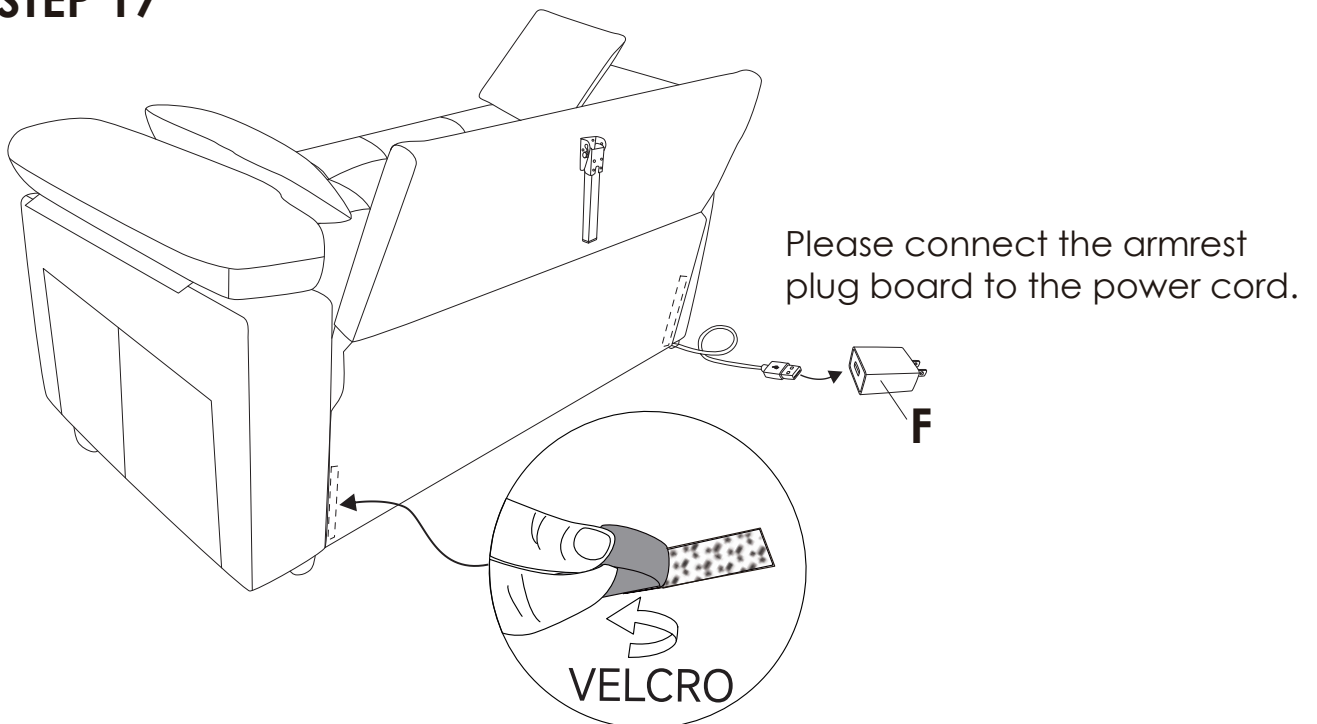


Assembly Steps(EN) / Montageschritte(DE)

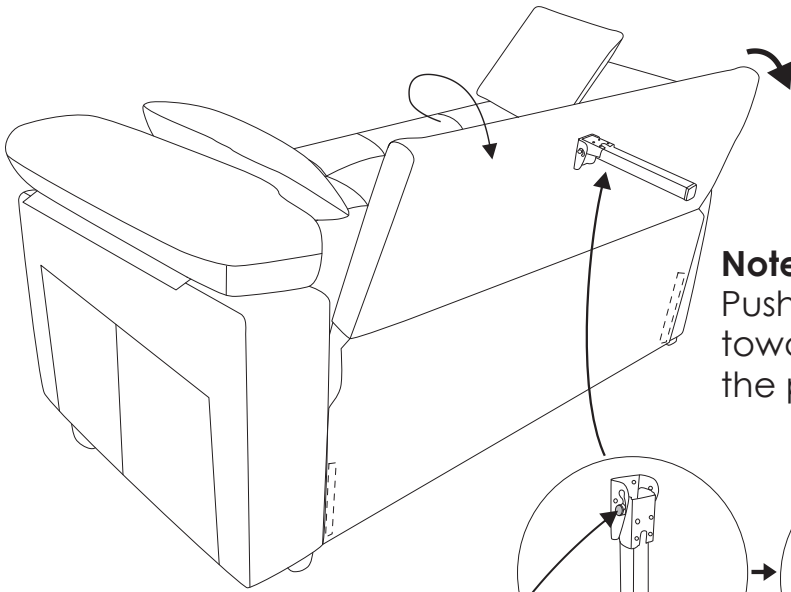
STEP 16



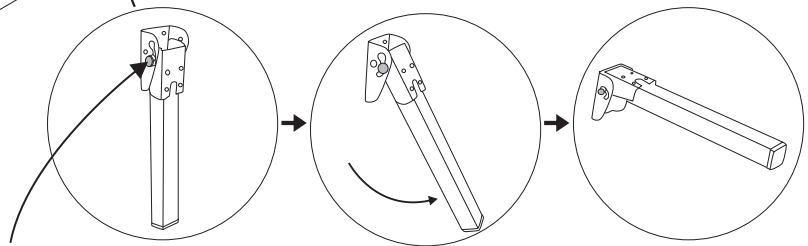
STEP 17



STEP 18

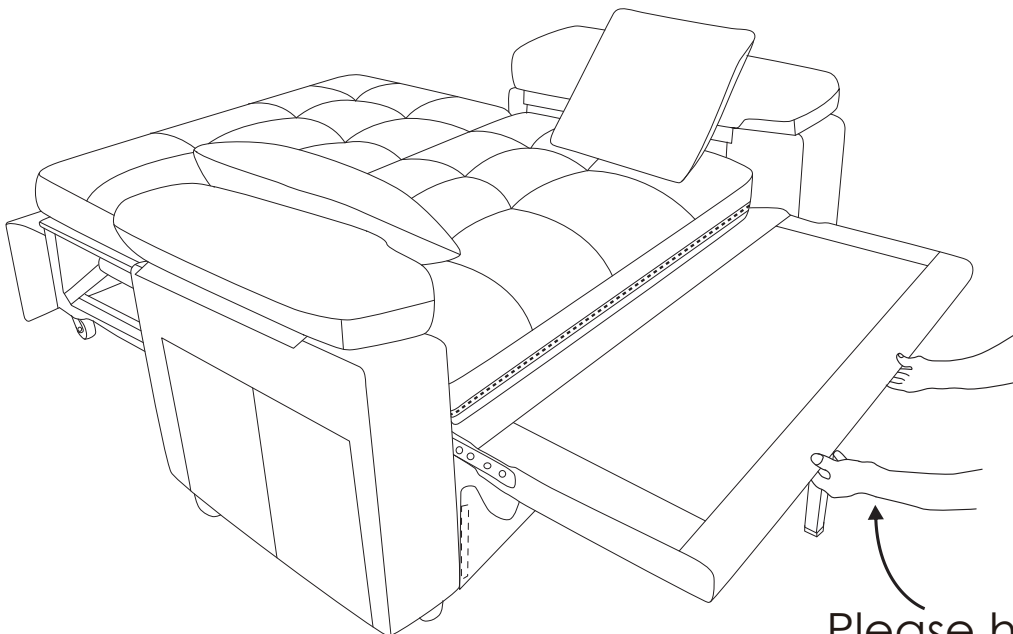


Noted: The backrest has 5 positipns. Push the backrest completely towards the seat cushion to reset the position.



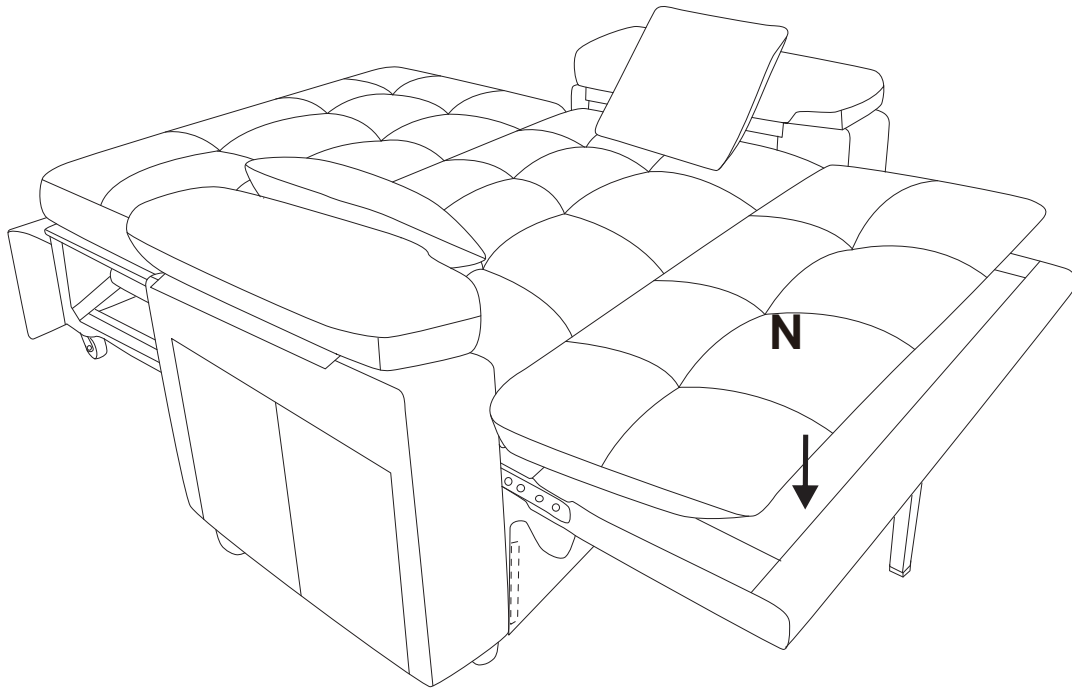
Please press the button to release the support leg.

STEP 19

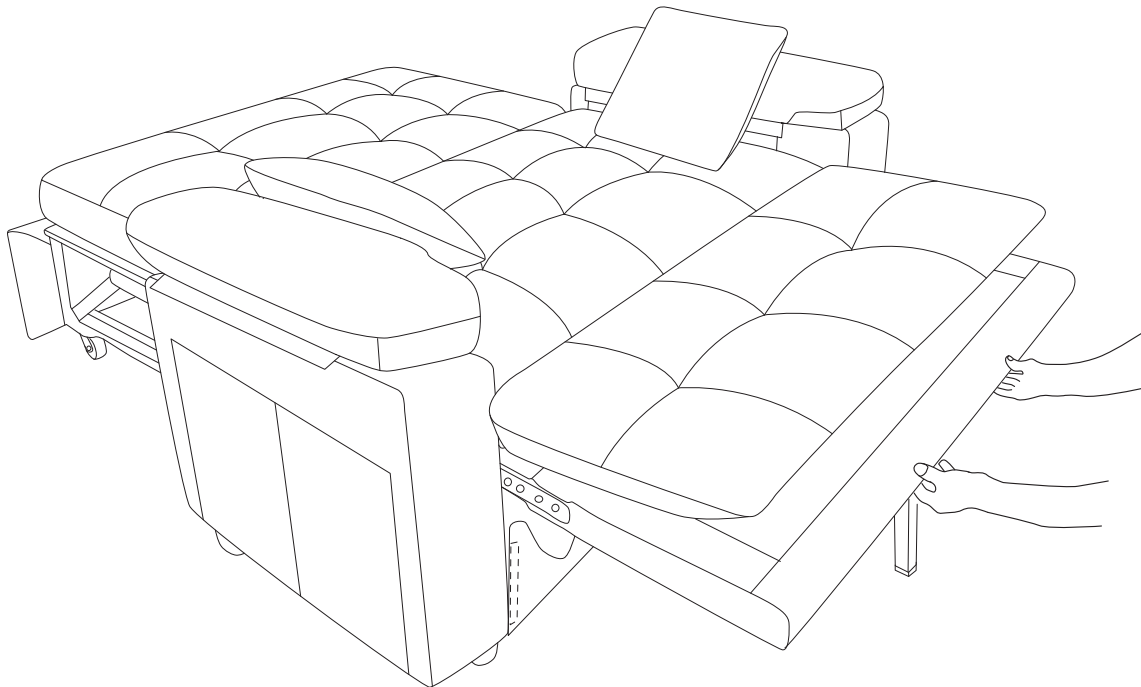


Please hold and adjust the gear with both hands.

STEP 20



STEP 21



When adjusting the backrest position,
you can slowly lift backrest up to
unlock other gears.