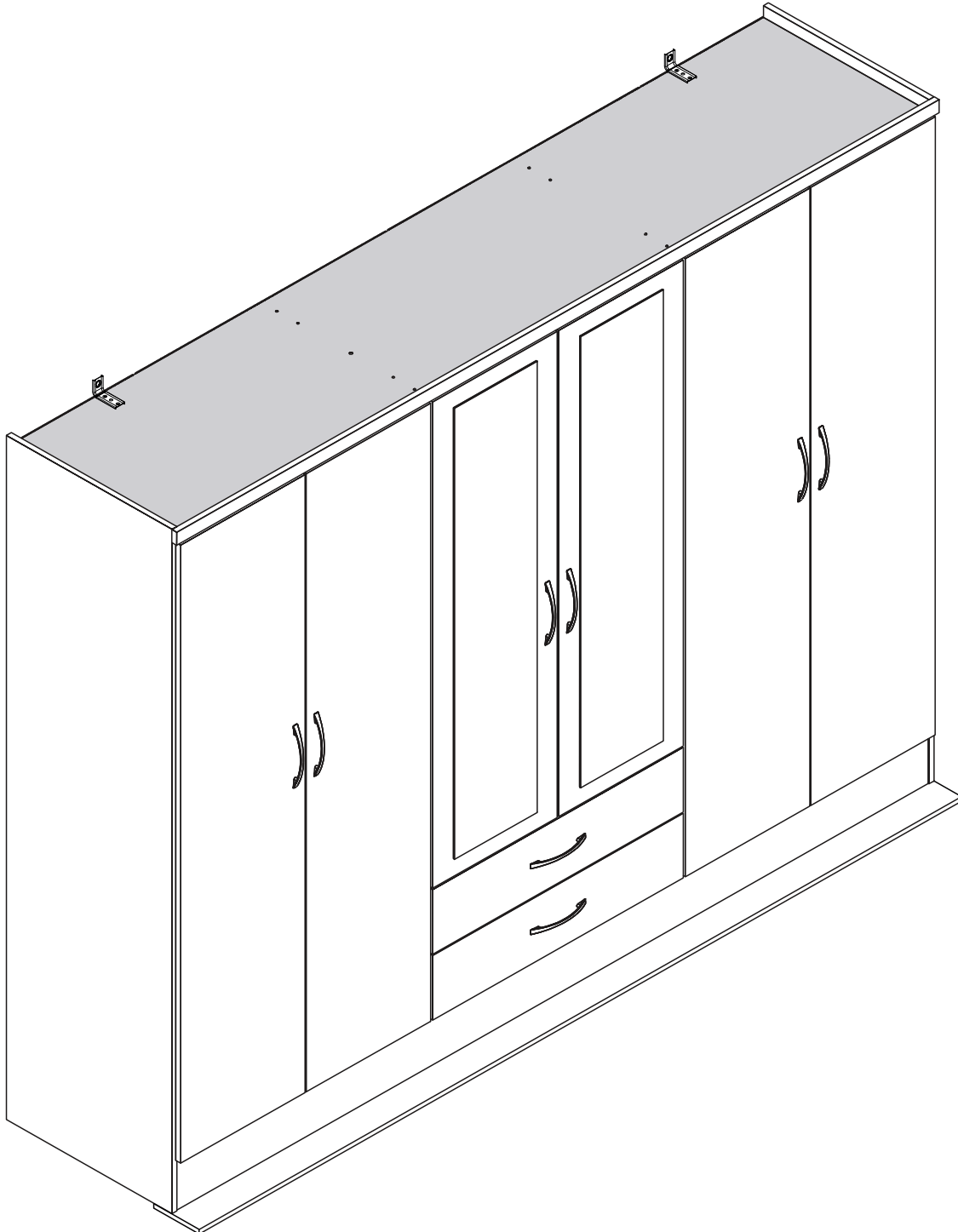


# 6 DOOR 2 DRAWER WARDROBE

## ASSEMBLY INSTRUCTIONS

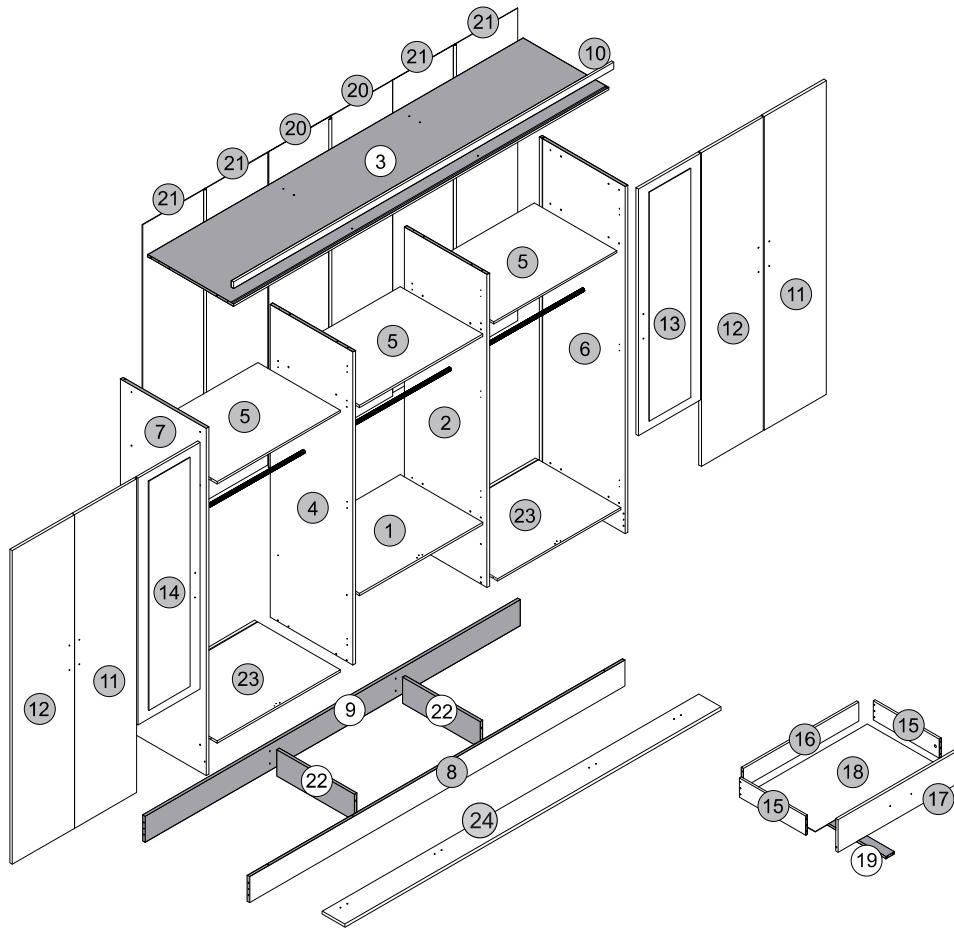
White Gloss  
Black Gloss

11



**IMPORTANT**  
**PLEASE READ BEFORE YOU CONTINUE FURTHER**  
**FOR DOMESTIC USE ONLY**  
**CARE AND MAINTENANCE**

- After unpacking this product please keep the original packaging in case it needs to be returned for any reason.
- Please ensure all fittings and parts are present before commencing with assembly.
- We recommend that you lay a blanket or sheet on the floor to avoid damage to both your floor and the product.
- We strongly recommend that you keep children away from your work area.
- Assemble this product as close to its final position as possible
- Never drag or push products as this could cause damage to the joints making it inferior.
- Do not drag or push items across your furniture as this may cause the surface to scratch.
- Do not place this product next to radiator or in direct sunlight.
- Wood is a natural product and may expand if subjected to damp and may shrink or crack if subjected to heat. Therefore it is recommended that room temperature is maintained, with no sudden temperature fluctuations.
- Make sure any spillage is Wiped off immediately.
- Do not place hot or chilled items directly on to the surface, use a place mat or marking will occur.
- For general cleaning use soft cotton or micro fibre cloth and do not use detergents of any kind.
- Do not place on a wet or damp floor as staining may occur to your floor.
- From time to time it may be necessary to tighten fittings, regular inspections should be carried out.

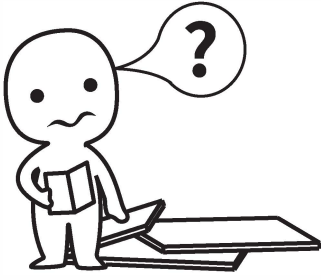


***Please Note:***

The parts below have been stamped with the part number/color to help identify them during assembly

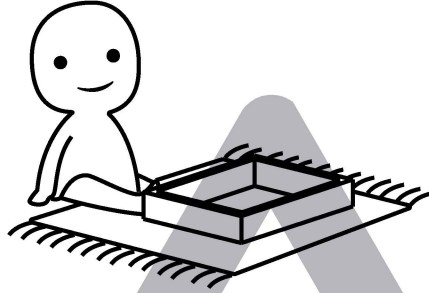
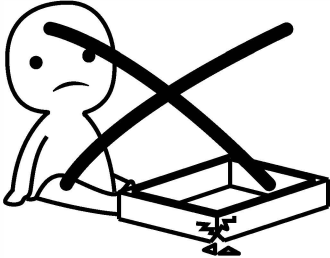
**PARTS LIST**

<b>Part Number</b>	<b>Part Description</b>	<b>Quantity</b>	<b>Carton</b>
1	Shelf Over Drawer	1	2/4
2	Right Division Panel	1	1/4
3	Top Panel	1	3/4
4	Left Division Panel	1	2/4
5	Upper Panel	3	2/4
6	Right Side Panel	1	1/4
7	Left Side Panel	1	1/4
8	Front Baseboard	1	3/4
9	Back Baseboard	1	3/4
10	Frame	1	3/4
11	Right Large Door	2	4/4
12	Left Lagre Door	2	3/4
13	Right Small Door	1	4/4
14	Left Small Door	1	4/4
15	Drawer Side	4	1/4
16	Drawer Back Panel	2	1/4
17	Drawer Front	2	1/4
18	Drawer Bottom	2	2/4
19	Drawer Bottom Support Bar	2	1/4
20	Centre Back Panel	2	2/4
21	Back Panel	4	4/4
22	Central Baseboard	2	1/4
23	Base Panel	2	2/4
24	Anti Tip Device	1	3/4



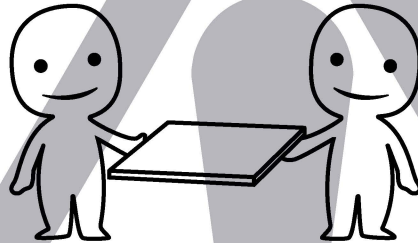
### **IMPORTANT INFORMATION!**

please read the entire manual before starting to assemble and/or using this product follow the manual thoroughly and keep it for further reference.



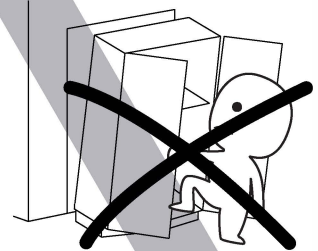
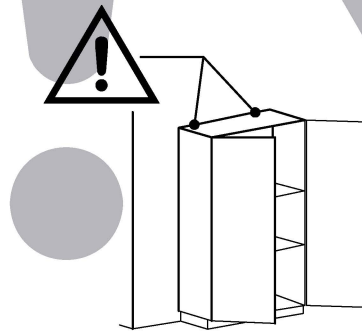
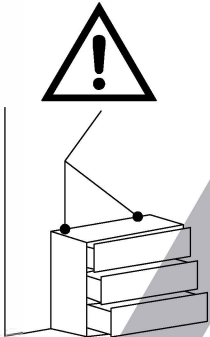
### **AVOID SCRATCHES!**

In order to avoid scratching this furniture should be assembled on a soft layer-could be a rug.



### **IMPROVE EFFICIENCY !**

Try to find a partner to install with you, which can speed up the installation efficiency and shorten the time.



### **ANTI-TOPPLE WARNING !**

Overturned furniture can cause serious or fatal crush injuries. To prevent tipping over, be sure to use the wall attachment, if not included with this product. Please purchase the wall attachment that fit your wall. If unsure, seek professional advice. Please read and follow each step of the instructions carefully.

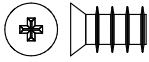
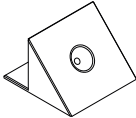
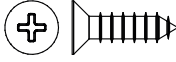
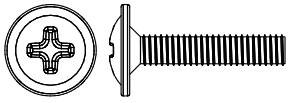
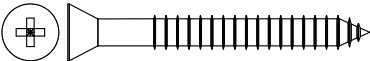
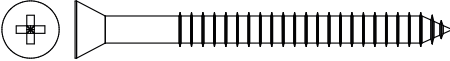


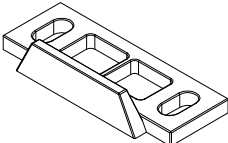
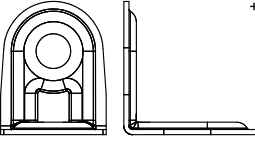
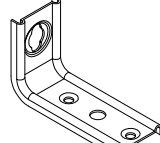
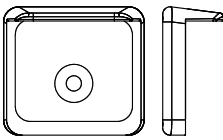
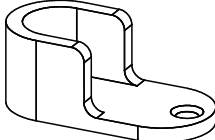
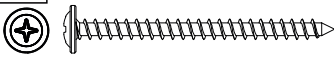
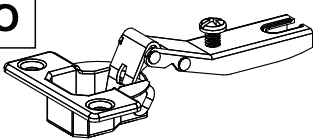
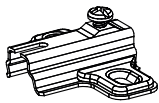
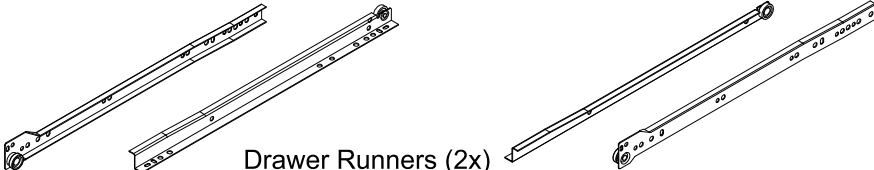
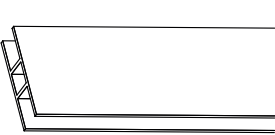
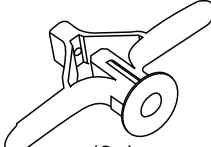


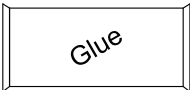
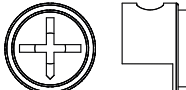
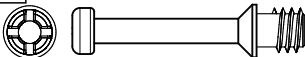


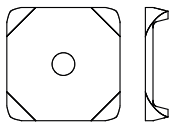
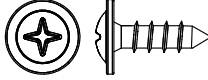

### **IMPORTANT !**

It is important that any product which is assembled using any kind of screw is re-tightened 2 weeks after assembly, and once every 3 months - in order to assure stability through-out the lifespan of the product.

For regular maintenance and cleaning of the product, for the frame, please use a rag dipped in neutral detergent to fully wipe it, and then dry it with a clean rag. For glass materials, wipe with a rag dampened with water glass cleaner, and then dry with a dry rag.

Do not use an electric screwdriver, and do not use too much force when installing, because the board is easy to break.

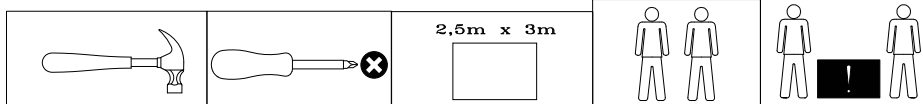
# FITTINGS

<b>A</b>  Flat Head Screw Ø6,0 x 10mm (8x) +/1	<b>B</b>  Plastic Corner Bracket (12x) 2/+	<b>C</b>  Flat Head Screw Ø4,0 x 14 mm (96x) +/2	<b>D</b>  Flan Head Screw Ø4,0 x 20mm (16x) +/2
<b>E</b>  Flat Head Screw Ø3,5 x 40mm (8x) +/1	<b>F</b>  Flat Head Screw Ø4,0 x 50 mm (44x) +/2	<b>G</b>  +/2 Dowel Ø6,0 x 30mm(76x)	
<b>H</b>  Nail 10 x 10 (74x) +/2	<b>I</b>  Door Stopper (6x)	<b>J</b>  'L' Metallic Support (11x) +/2	<b>K</b>  (2x)
<b>L</b>  Plastic Foot (4x) +/1	<b>M</b>  Hanging Rail Support (6x)	<b>N</b>  Flan Head Screw Ø5,0 x 50mm (2x) +/1	<b>O</b>  Hinge (18x)
<b>P</b>  Hinge Plate (18x)	<b>Q</b>  Drawer Runners (2x)		
<b>R</b>  Back Panel Strip (3x)	<b>S</b>  (2x) 1/+	<b>T</b>  Handle (8x)	<b>U</b>  Hole Plugs (34x) +/2
<b>V</b>  Glue (2x)	<b>W</b>  Cam Nut (4x) +/1	<b>X</b>  Cam Bolt (4x) +/1	<b>Y</b>  Hanging Rail (3x)
<b>Z</b>  Flat Head Screw Ø4,0 x 12mm (38x) +/2	<b>A1</b>  2/+ Back Panel Bracket (18x)	<b>B1</b>  Flan Head Screw 3,5 x14mm (6x) +/2	<b>C1</b>  Flat Head Screw 3,5 x16mm (12x) 2/+

\* Use of power tools to assemble this product will invalidate any claim and damage this product making it unsafe !!!  
 \* Please assemble on a clean soft surface to avoid damage.

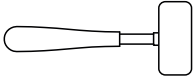
\* Please check contents and read the instructions before commencing assembly.  
 \* Assemble this product following the enclosed instructions carefully.  
 \* Please take care to avoid damaging panels during assembly.

## TOOLS REQUIRED



# STEP 1

## TOOLS REQUIRED



## PARTS REQUIRED

1 - SHELF OVER DRAWER	x1
5 - UPPER PANEL	x3
23 - BASE PANEL	x2

## HARDWARE REQUIRED

G

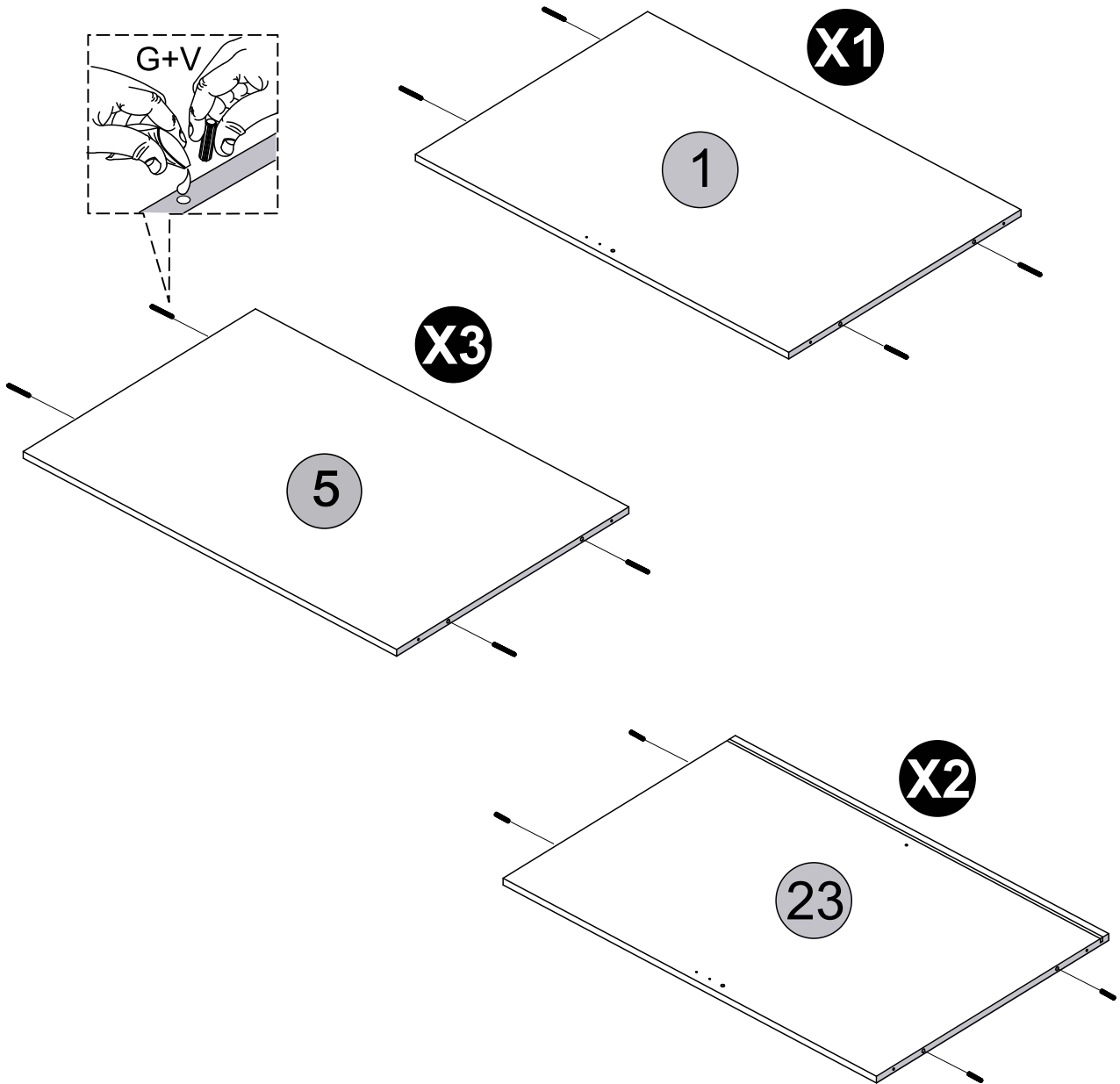
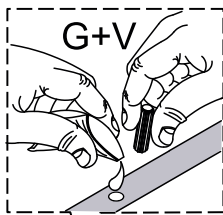


24

V

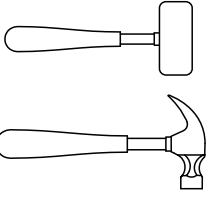


01



# STEP 2

## TOOLS REQUIRED



## PARTS REQUIRED

08 - FRONT BASEBOARD - x1

09 - BACK BASEBOARD - x1

## HARDWARE REQUIRED

G



12

H



02

L

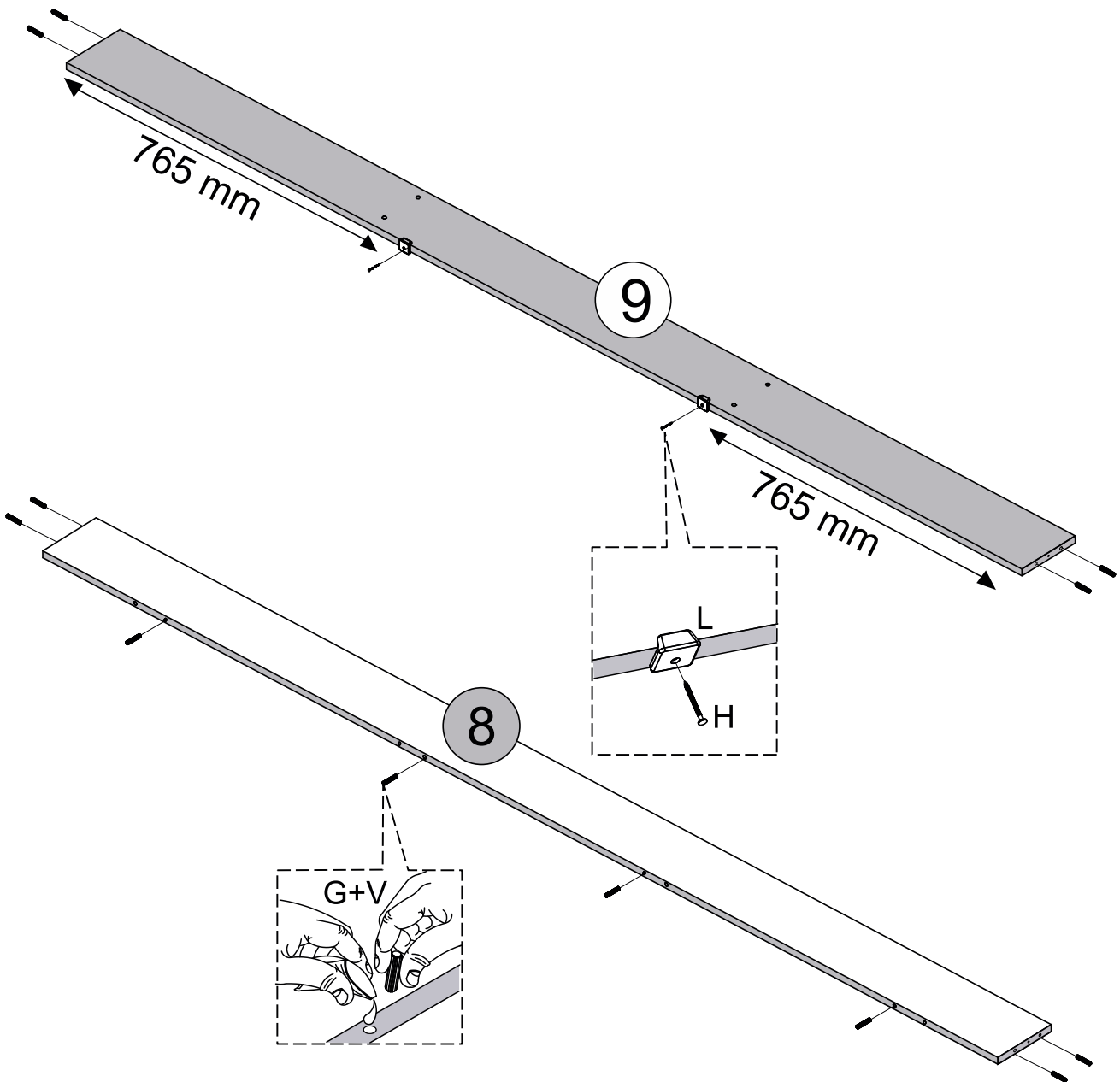


02

V

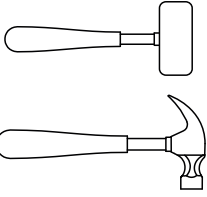


01



# STEP 3

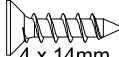

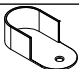
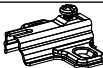
## TOOLS REQUIRED

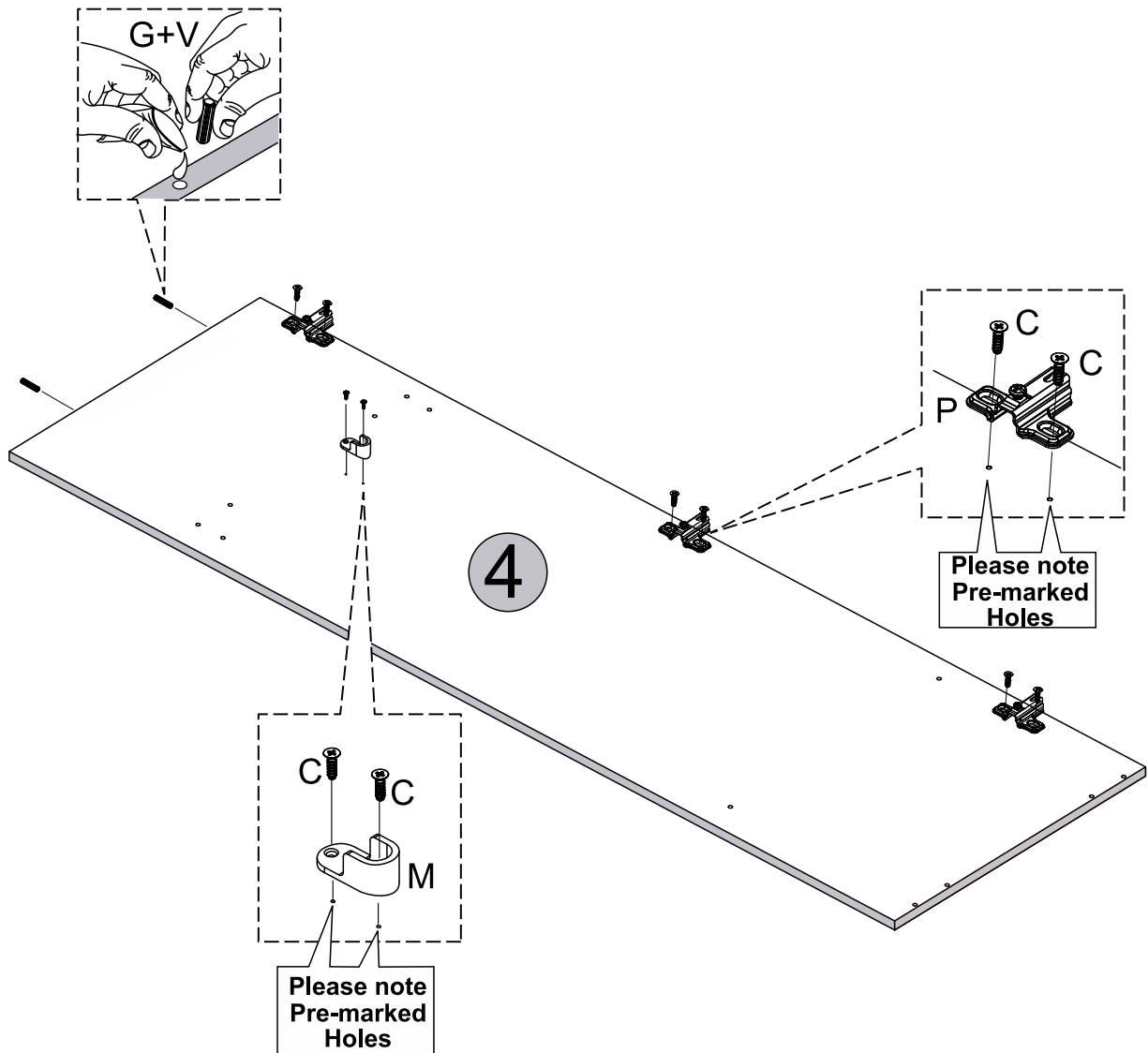


## PARTS REQUIRED

04 - LEFT DIVISION PANEL - x1

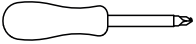
## HARDWARE REQUIRED

C	 4 x 14mm	08
G		02
M		01
P		03
V	GLUE	01



# STEP 4

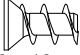
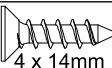
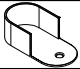


## TOOLS REQUIRED

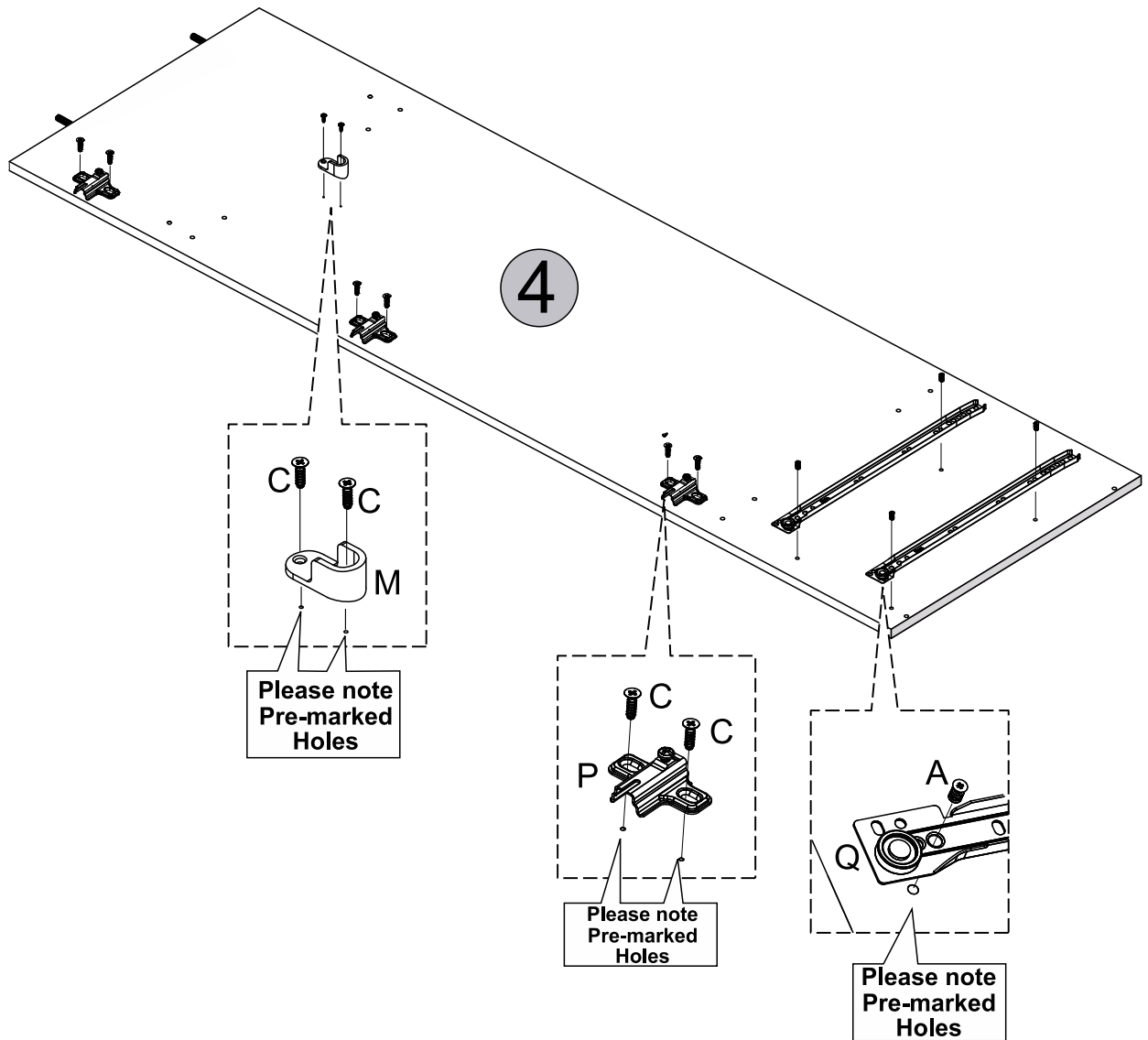
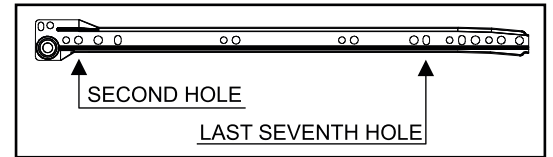


## PARTS REQUIRED

04 - LEFT DIVISION PANEL - x1

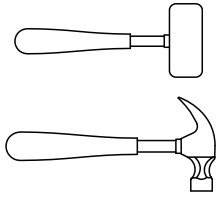
## HARDWARE REQUIRED

A	 6 x 10mm	04
C	 4 x 14mm	08
M		01
P		03
Q	 Left	02



# STEP 5

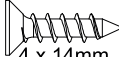

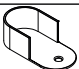
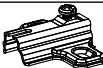
## TOOLS REQUIRED

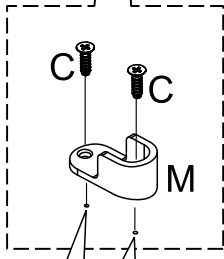
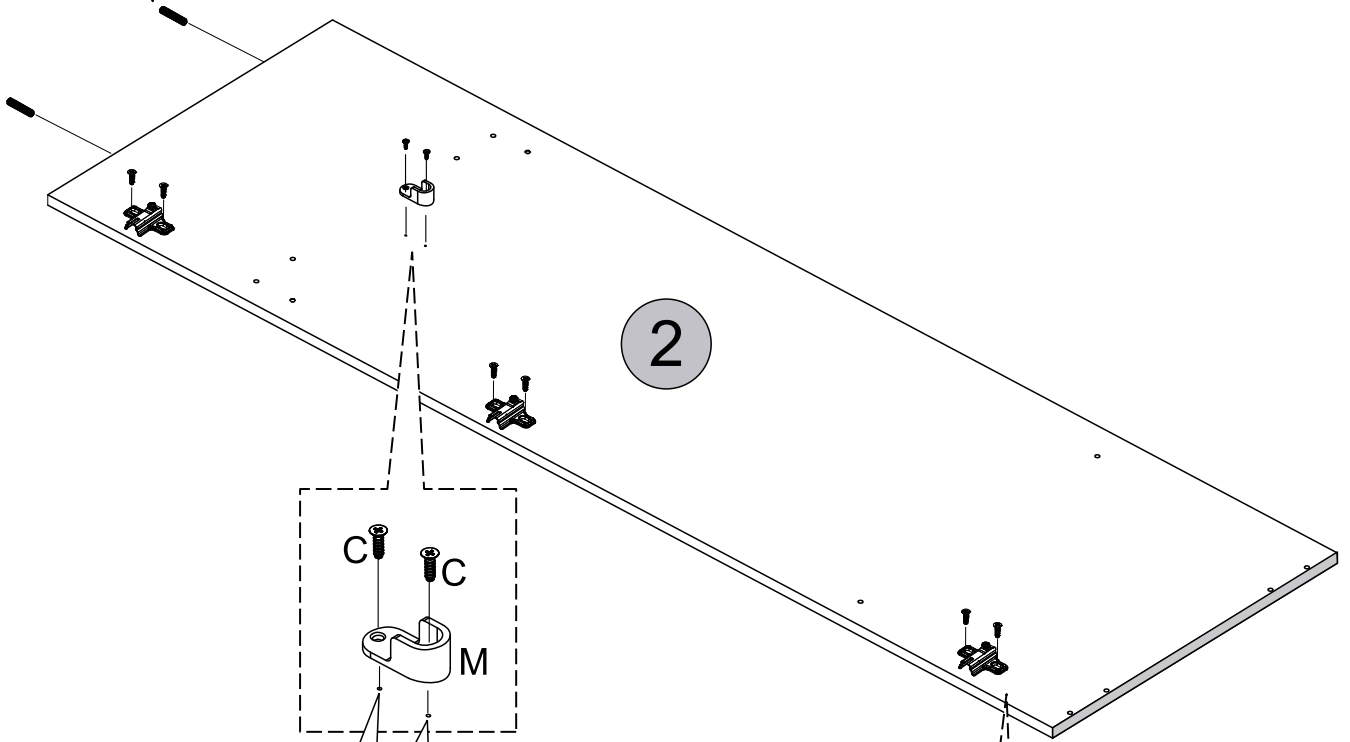
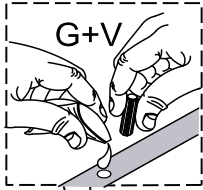


## PARTS REQUIRED

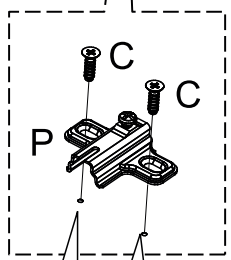
02- RIGHT DIVISION PANEL - x1

## HARDWARE REQUIRED

C	 4 x 14mm	08
G		02
M		01
P		03
V	GLUE	01



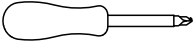
Please note  
Pre-marked  
Holes



Please note  
Pre-marked  
Holes

# STEP 6

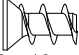
## TOOLS REQUIRED

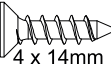


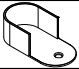
## PARTS REQUIRED

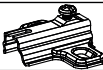
02- RIGHT DIVISION PANEL - x1


## HARDWARE REQUIRED

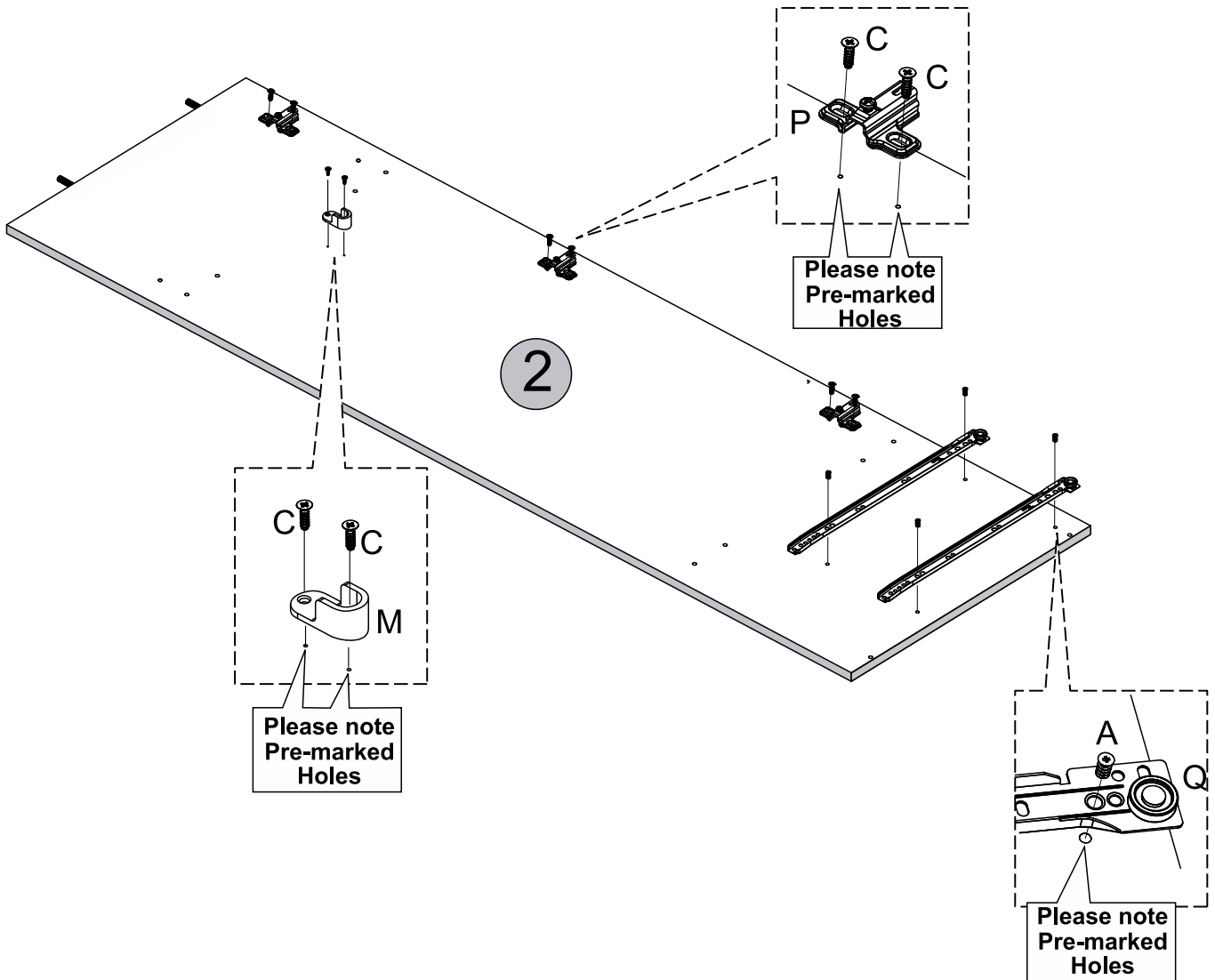
**A**  6 x 10mm **04**

**C**  4 x 14mm **08**

**M**  **01**

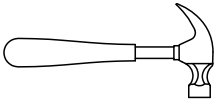
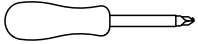
**P**  **03**

**Q**  Right **02**



# STEP 7

## TOOLS REQUIRED

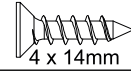


## PARTS REQUIRED

06- RIGHT SIDE PANEL - x1

## HARDWARE REQUIRED

C



4 x 14mm

08

H



01

L



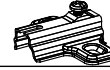
01

M

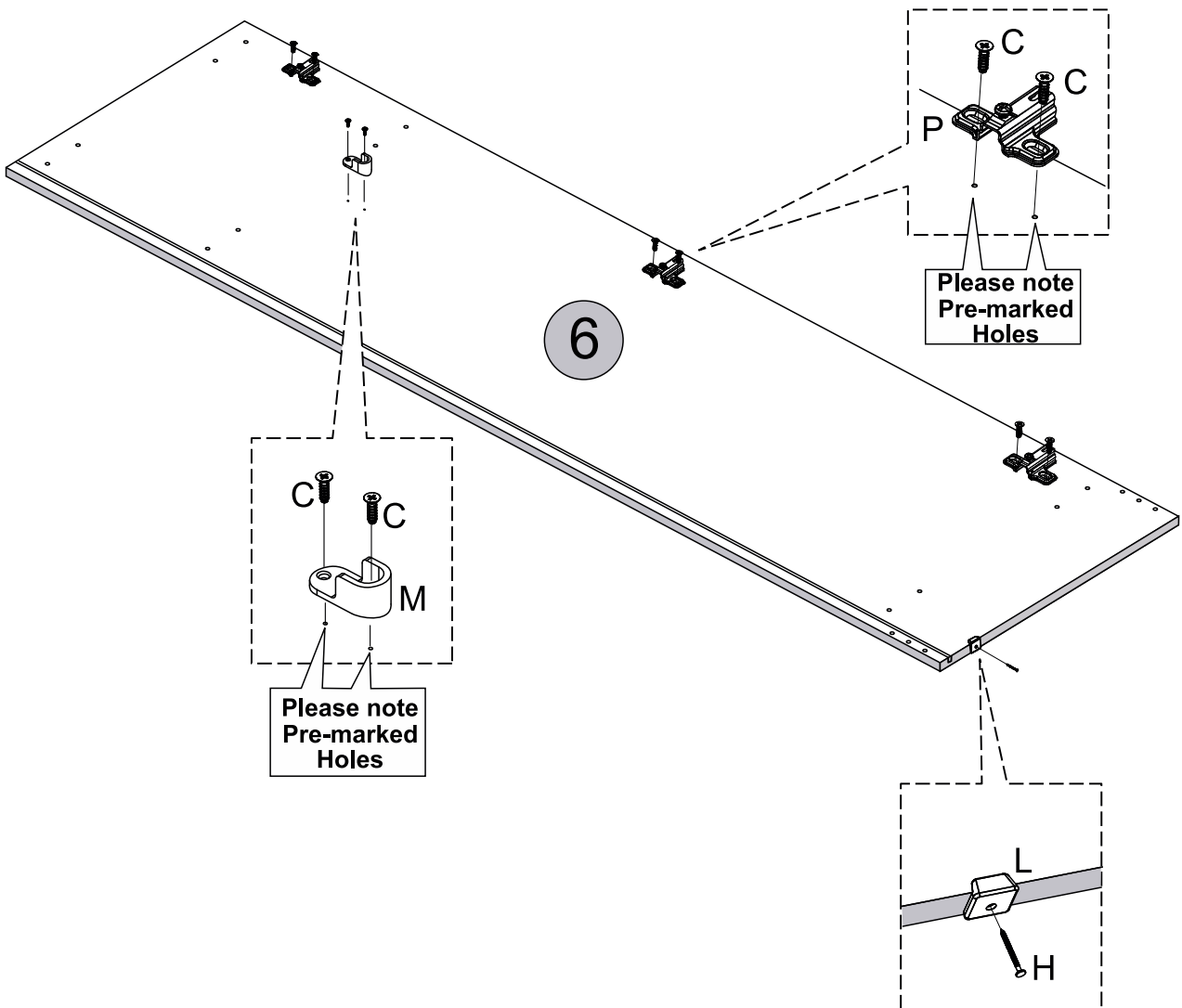


01

P

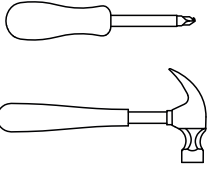


03



# STEP 8

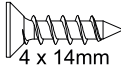
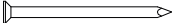

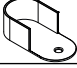

## TOOLS REQUIRED

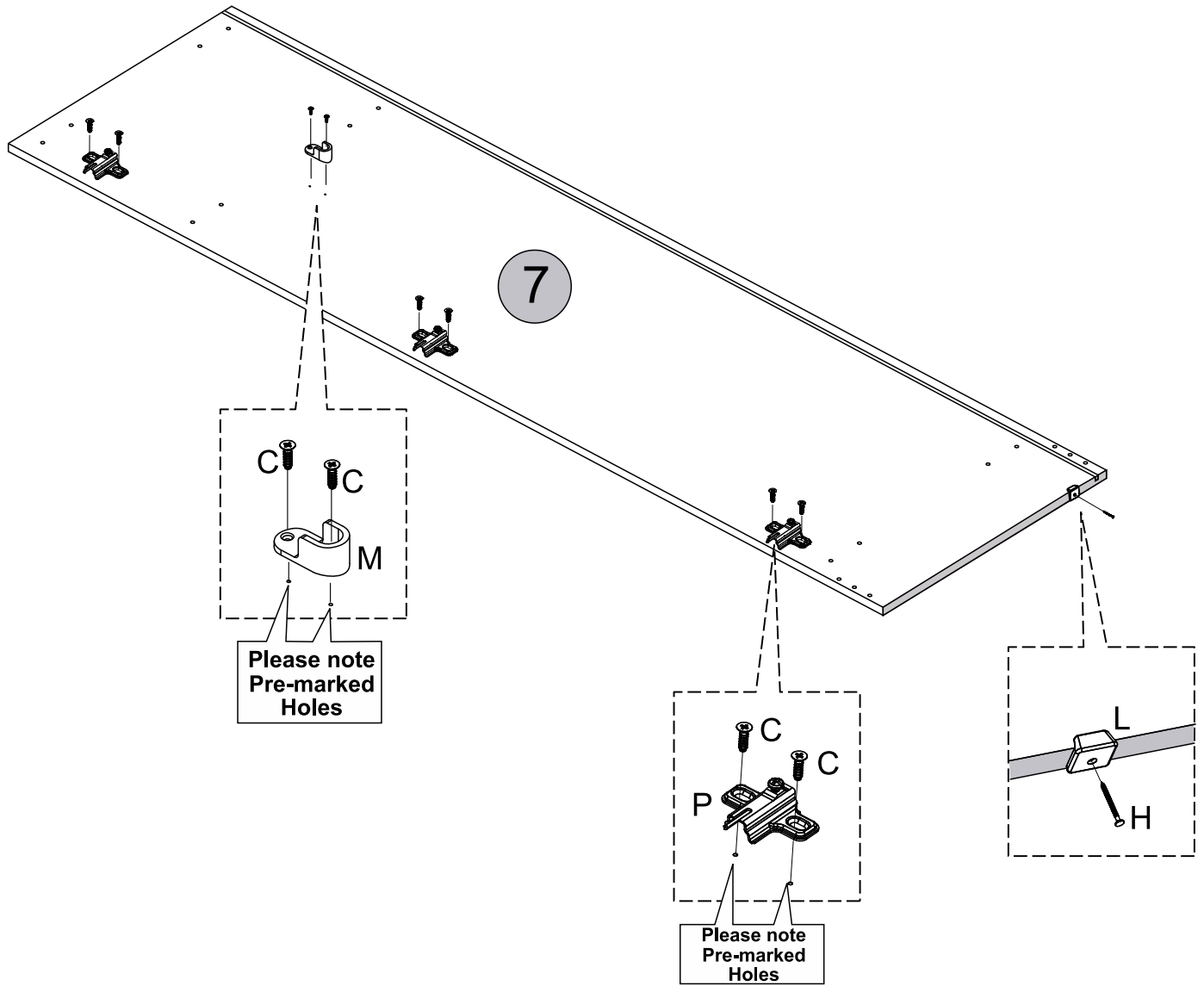


## PARTS REQUIRED

07 - LEFT SIDE PANEL - x1

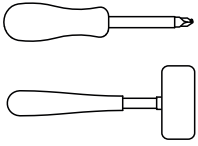
## HARDWARE REQUIRED

C	 4 x 14mm	08
H		01
L		01
M		01
P		03



# STEP 9


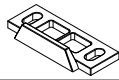

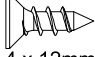
## TOOLS REQUIRED

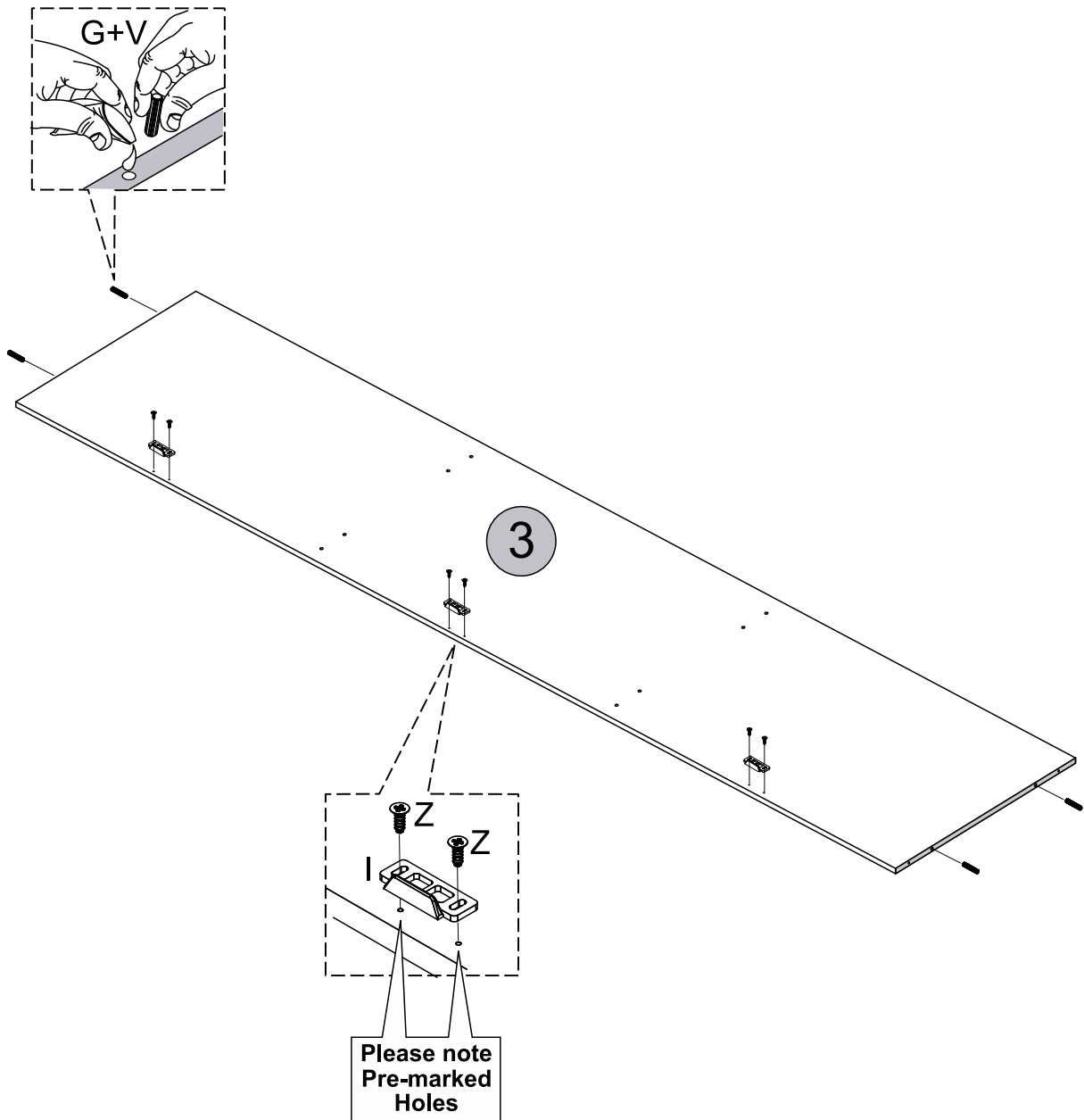


## PARTS REQUIRED

03 - TOP PANEL - x1

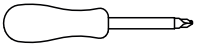
## HARDWARE REQUIRED

G		04
I		03
V		01
Z	 4 x 12mm	06



# STEP 10

## TOOLS REQUIRED



## PARTS REQUIRED

03 - TOP PANEL - x1

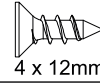
## HARDWARE REQUIRED

J

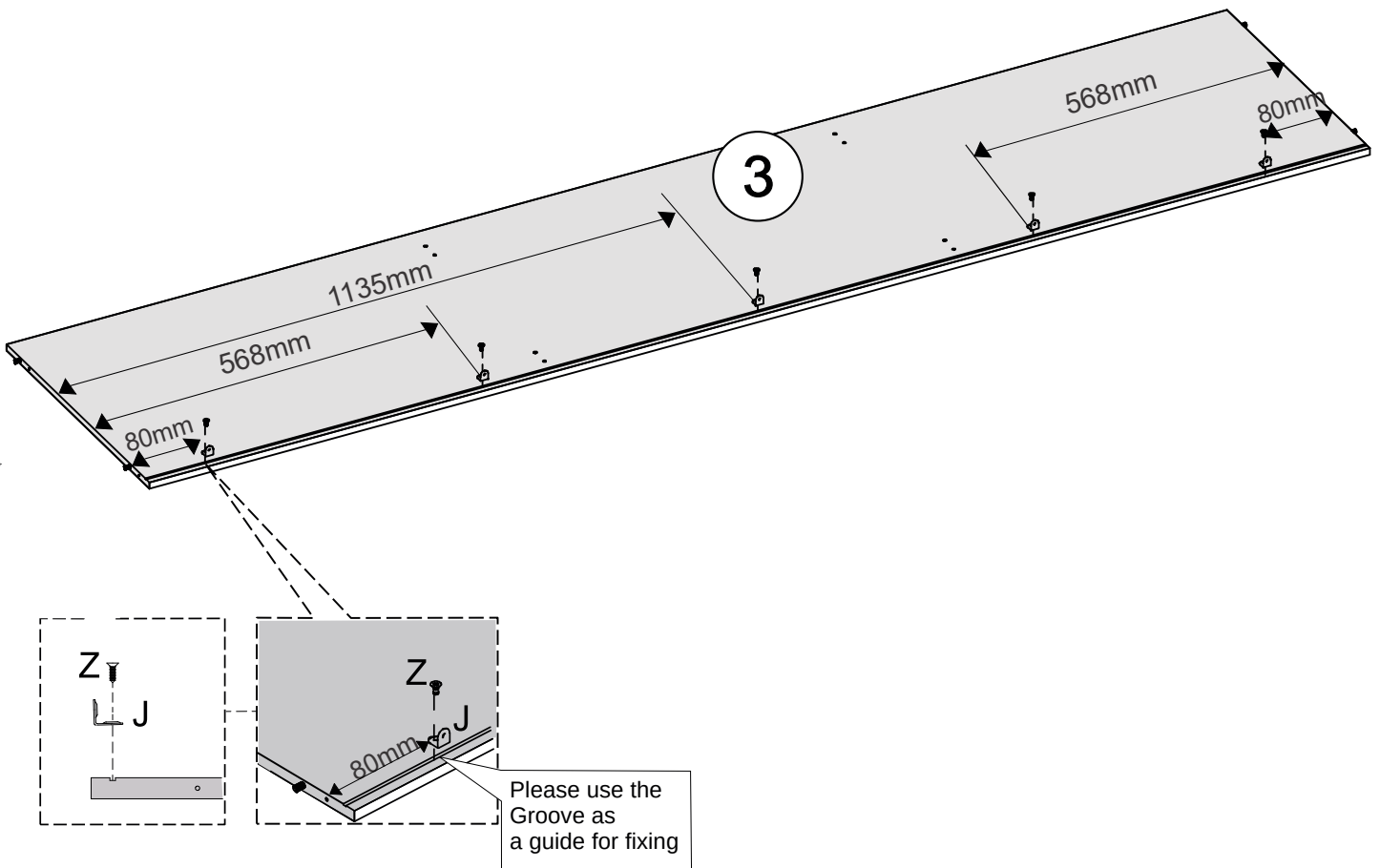


05

Z

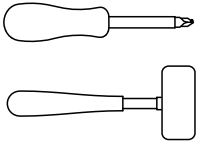


05



# STEP 11

## TOOLS REQUIRED



## PARTS REQUIRED

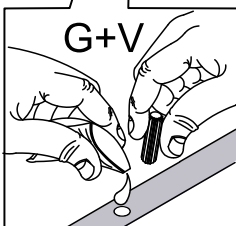
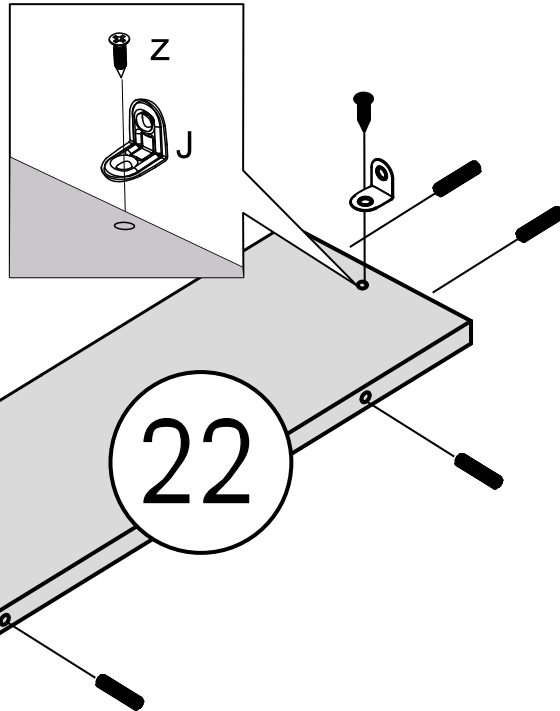
22- CENTRAL BASEBOARD - x2

## HARDWARE REQUIRED

G		12
J		04
V		01
Z	 4 x 12mm	04

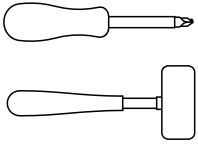
# 2x

Please note  
Pre-marked  
Hole



# STEP 12

## TOOLS REQUIRED



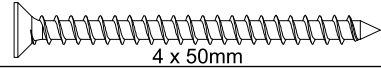
## PARTS REQUIRED

08 - FRONT BASEBOARD - x1

24 - ANTI TIP DEVICE - x1

## HARDWARE REQUIRED

F

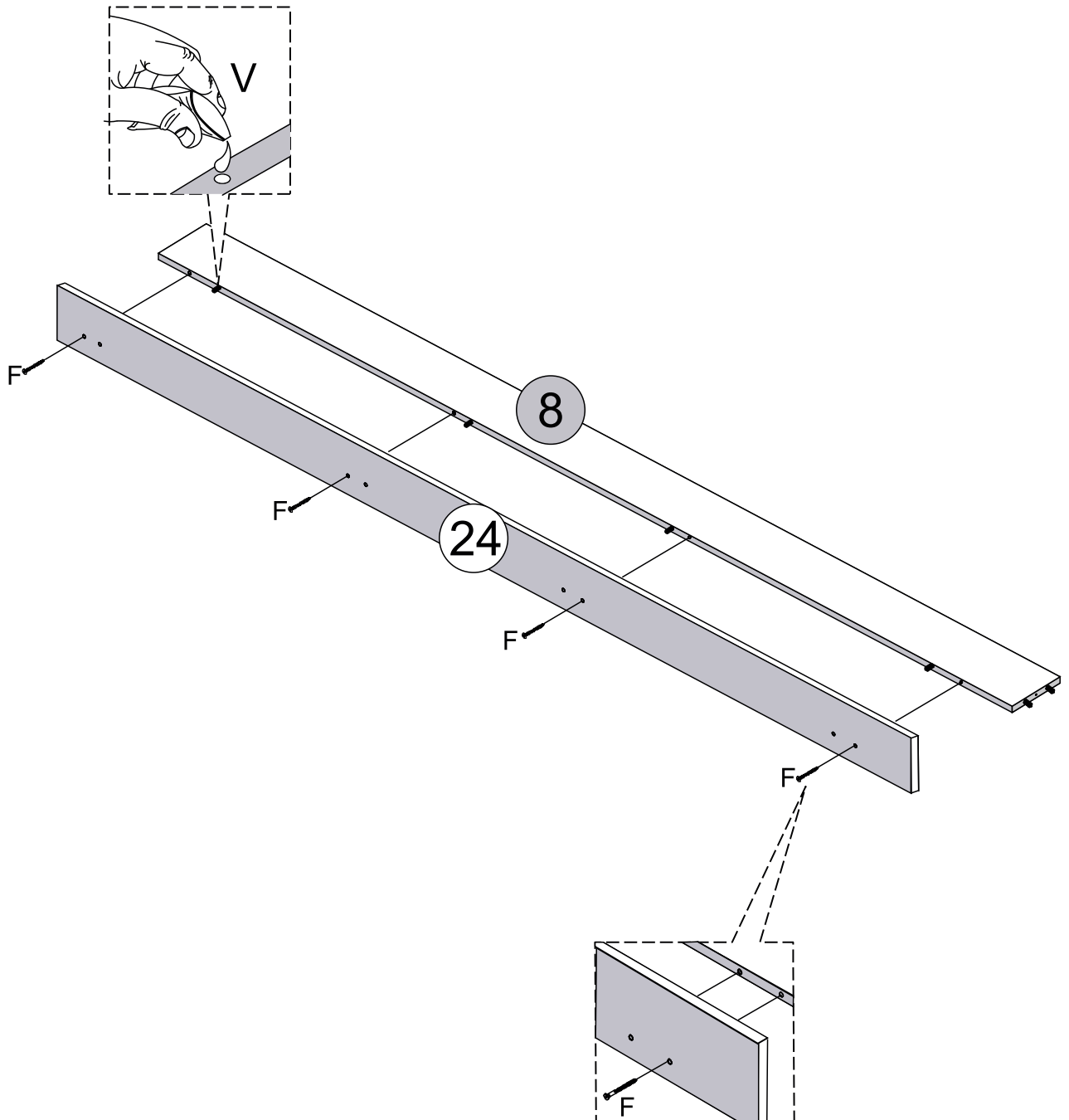
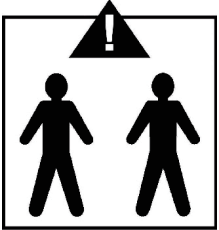


04

V

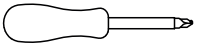


01



# STEP 13

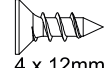
## TOOLS REQUIRED

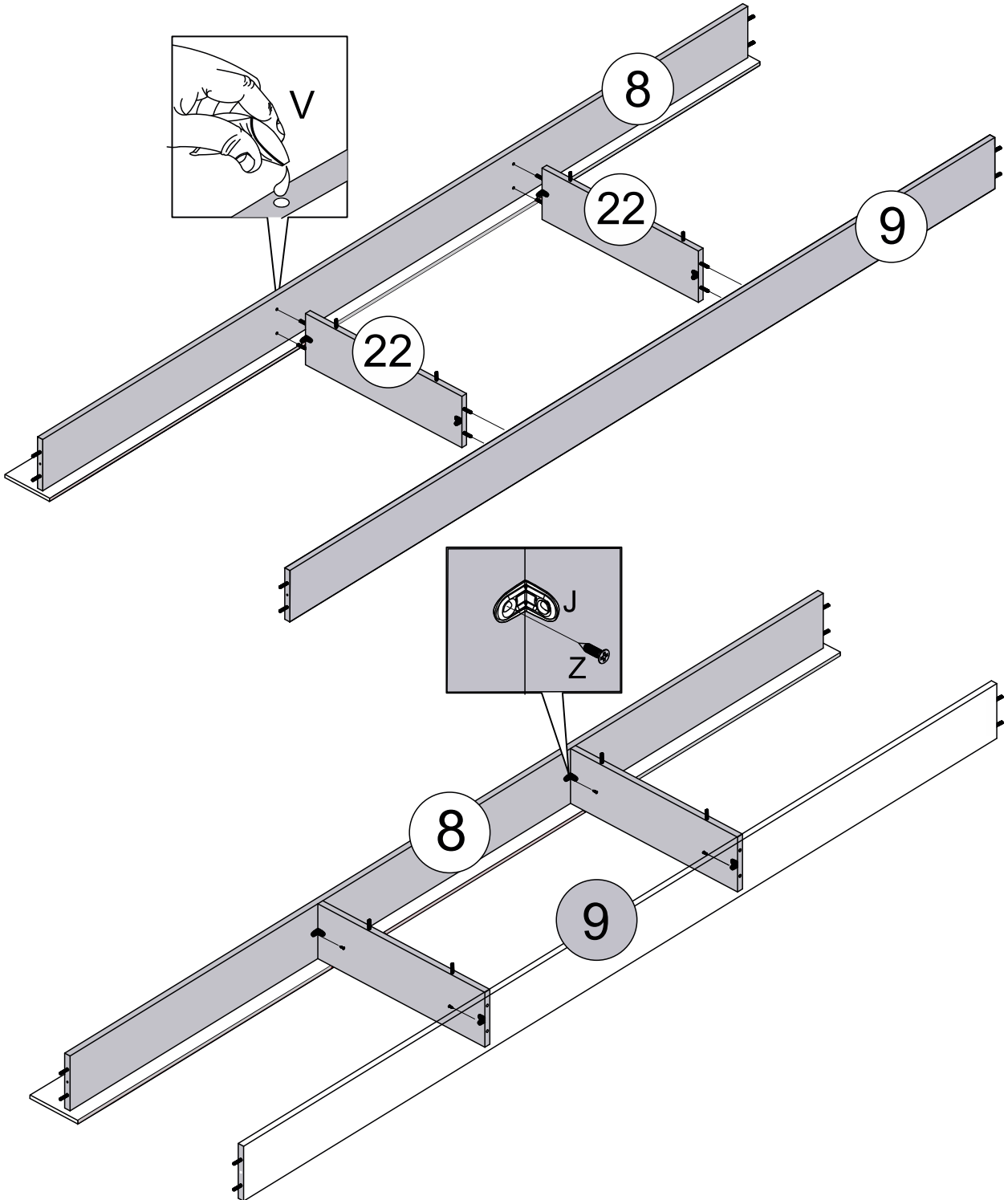
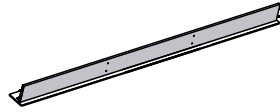


## PARTS REQUIRED

08- FRONT BASEBOARD -	x1
09- BACK BASEBOARD -	x1
22- CENTRAL BASEBOARD -	x2

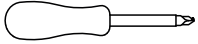
## HARDWARE REQUIRED

V	GLUE	01
Z	 4 x 12mm	04



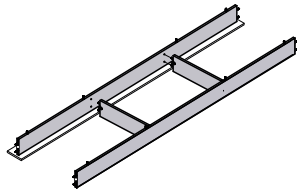
# STEP 14

TOOLS REQUIRED



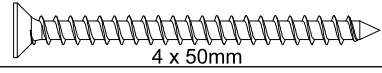
PARTS REQUIRED

07 - LEFT SIDE PANEL x1



HARDWARE REQUIRED

F

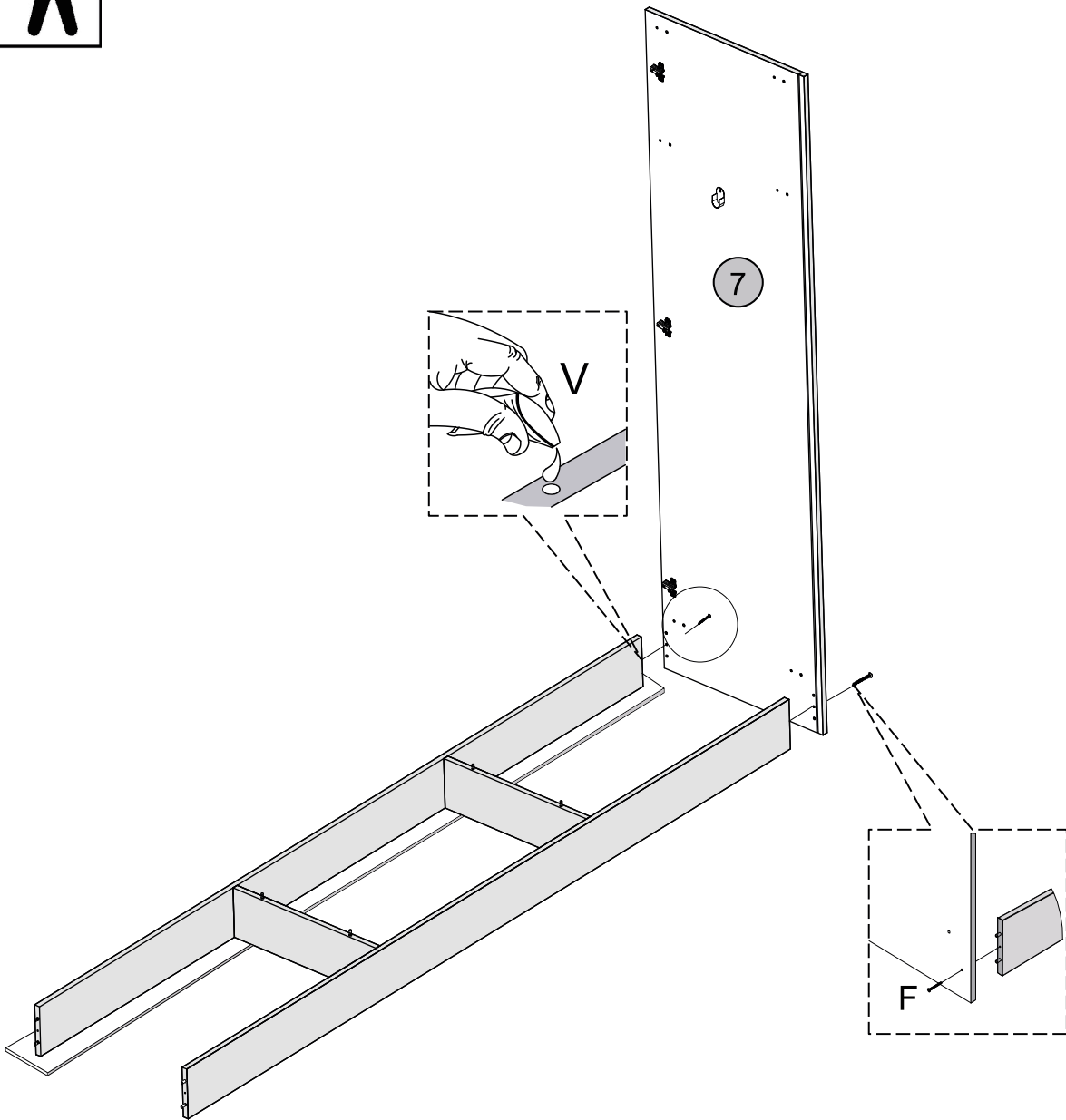


02

V



01



# STEP 15

TOOLS REQUIRED



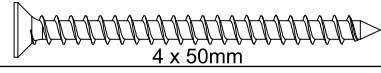
## PARTS REQUIRED

07 - LEFT SIDE PANEL - x1

23 - BASE PANEL - x1

## HARDWARE REQUIRED

F

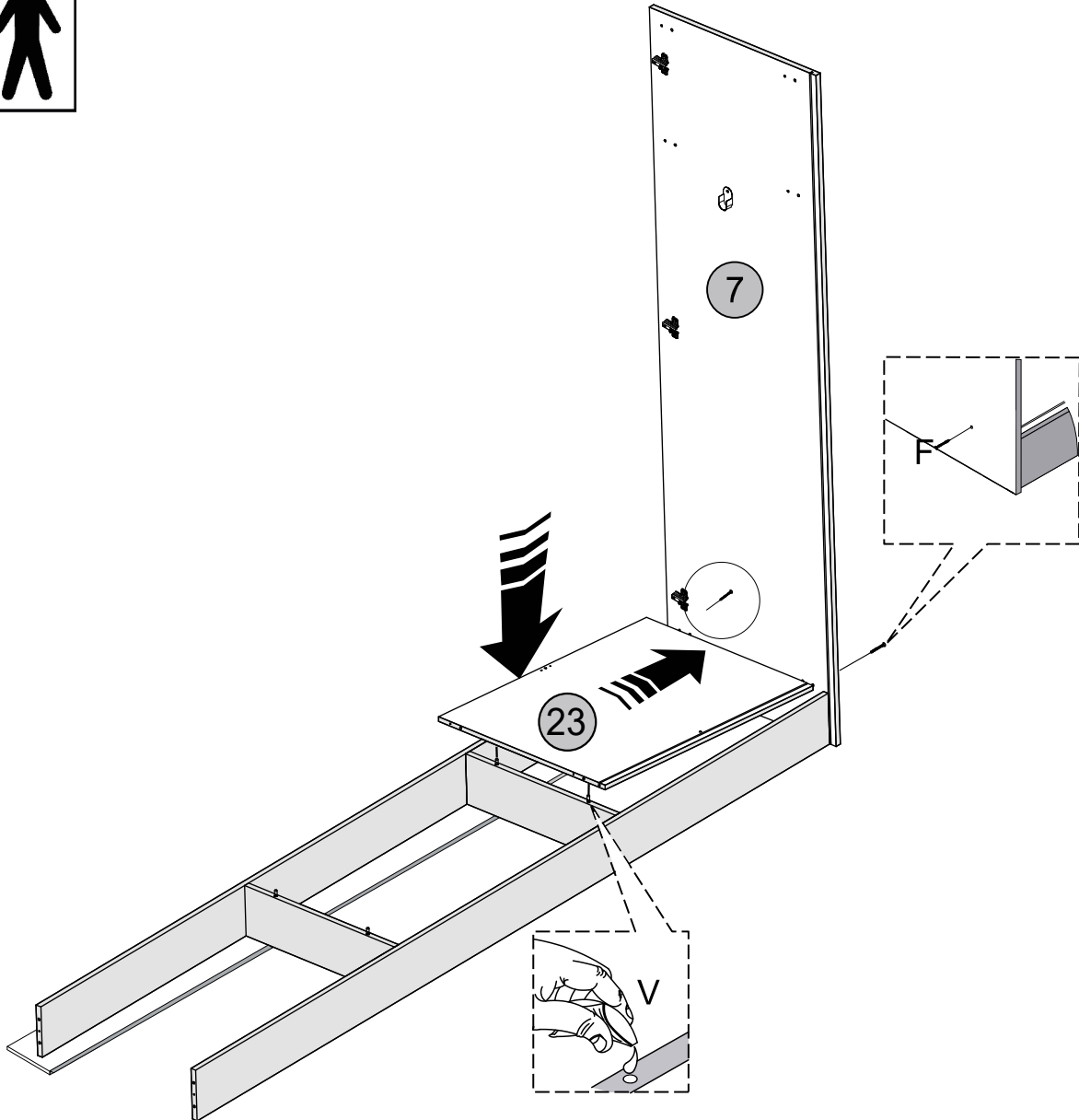


02

V

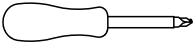
GLUE

01



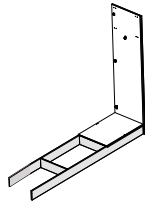
# STEP 16

TOOLS REQUIRED



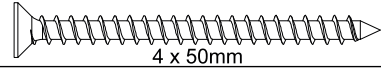
PARTS REQUIRED

6 - RIGHT SIDE PANEL x1



HARDWARE REQUIRED

F

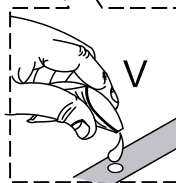
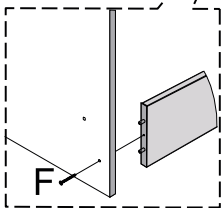
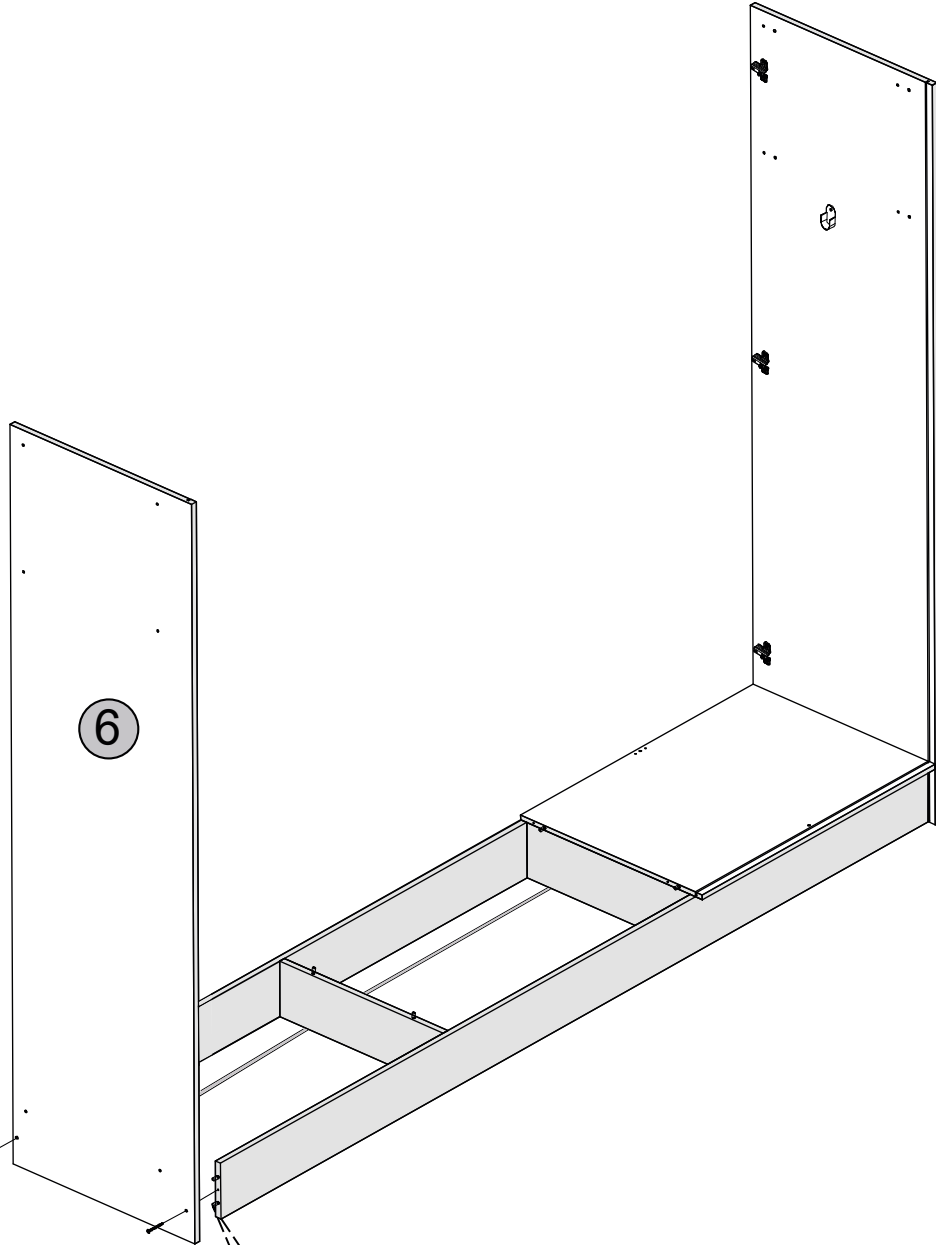
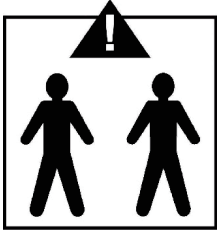


02

V

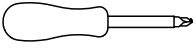


01



# STEP 17

TOOLS REQUIRED

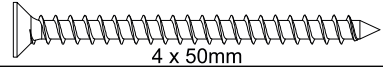


PARTS REQUIRED

23 - BASE PANEL - x1

HARDWARE REQUIRED

F

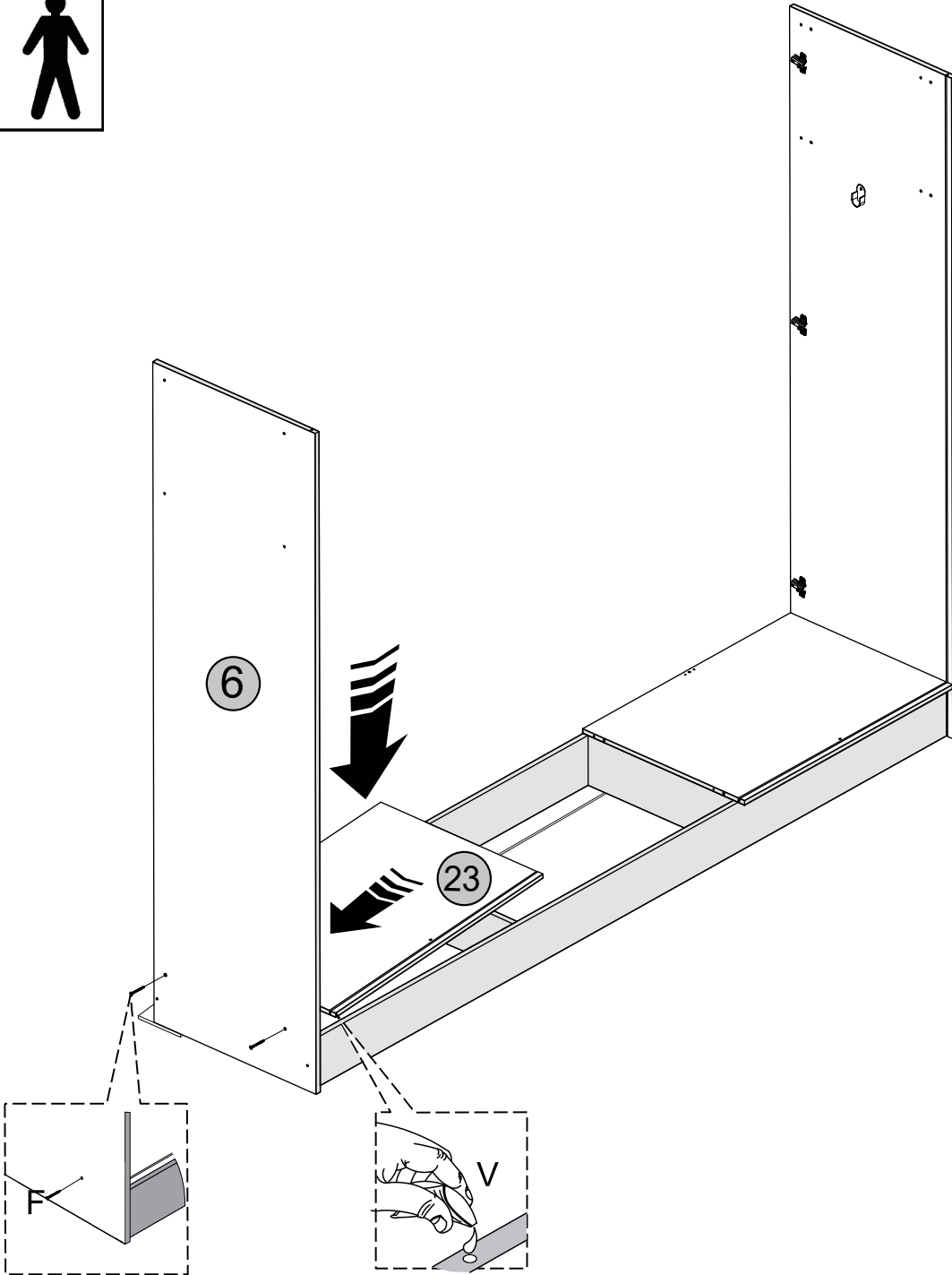
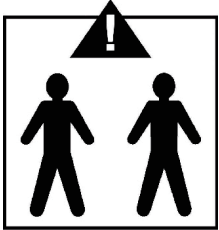


02

V



01



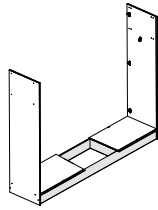
# STEP 18

TOOLS REQUIRED



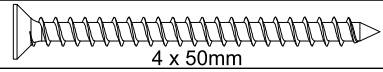
PARTS REQUIRED

04 - RIGHT DIVISION PANEL - x1



HARDWARE REQUIRED

F



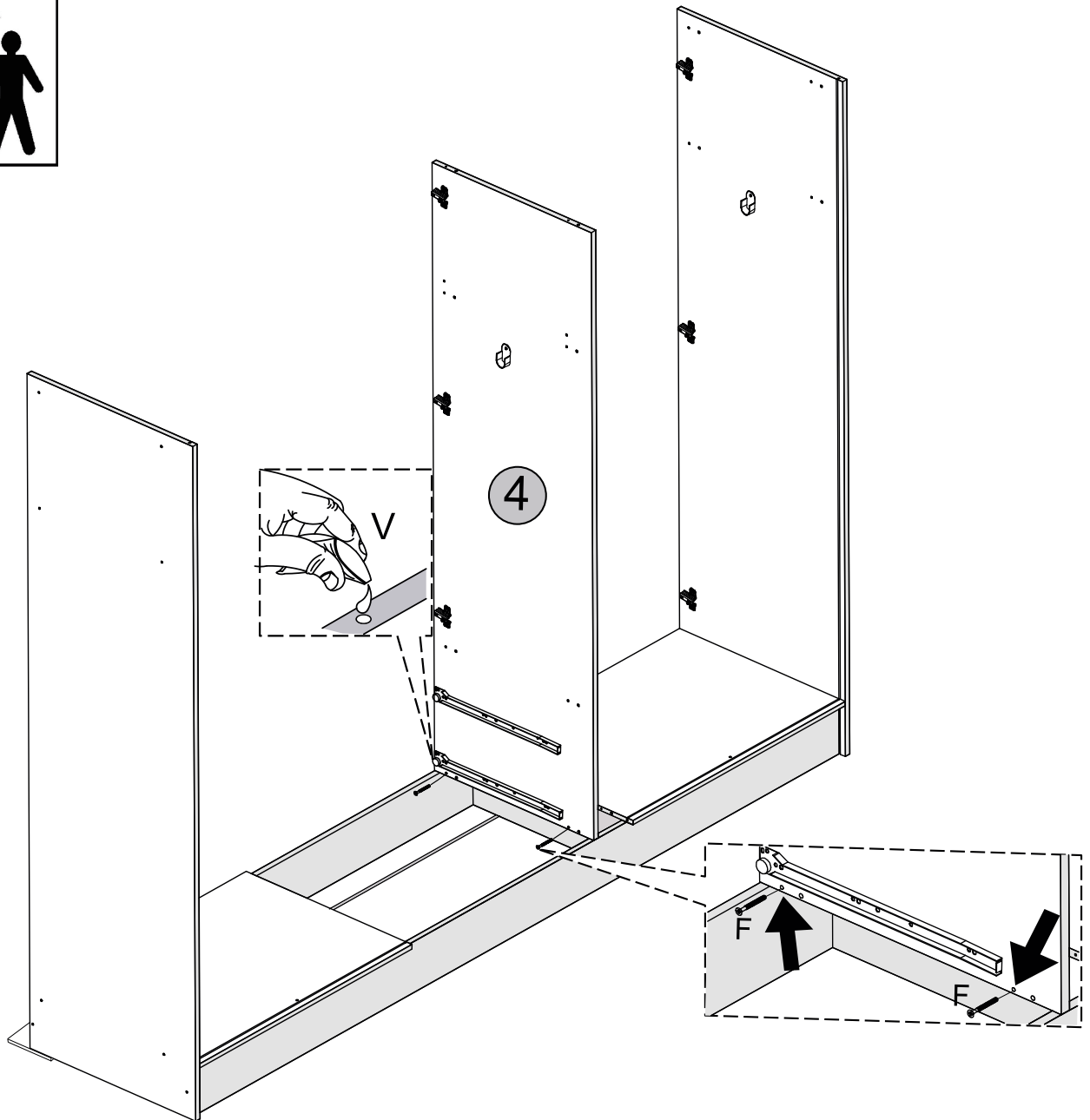
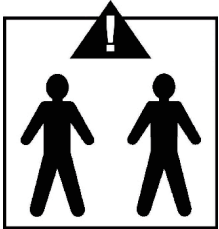
02

4 x 50mm

V

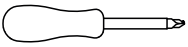


01



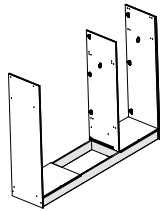
# STEP 19

TOOLS REQUIRED

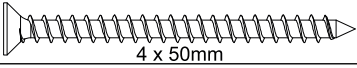


PARTS REQUIRED

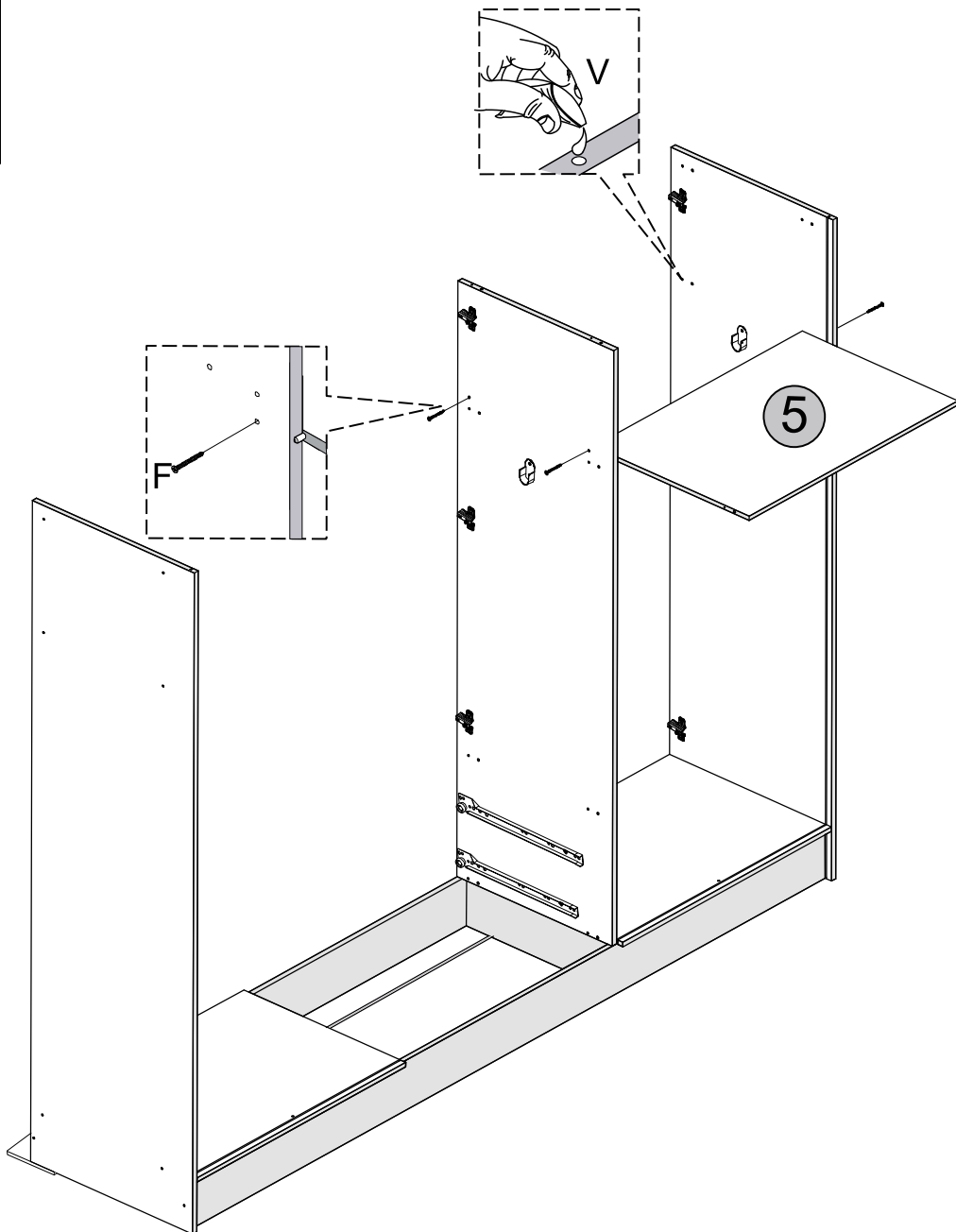
5 - UPPER PANEL x1



HARDWARE REQUIRED

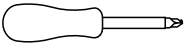
F  04  
4 x 50mm

V  01  
GLUE



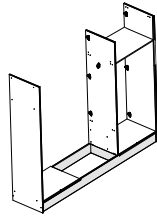
# STEP 20

TOOLS REQUIRED



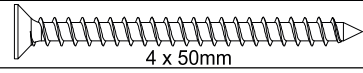
PARTS REQUIRED

2 - RIGHT DIVISION PANEL x1



HARDWARE REQUIRED

F

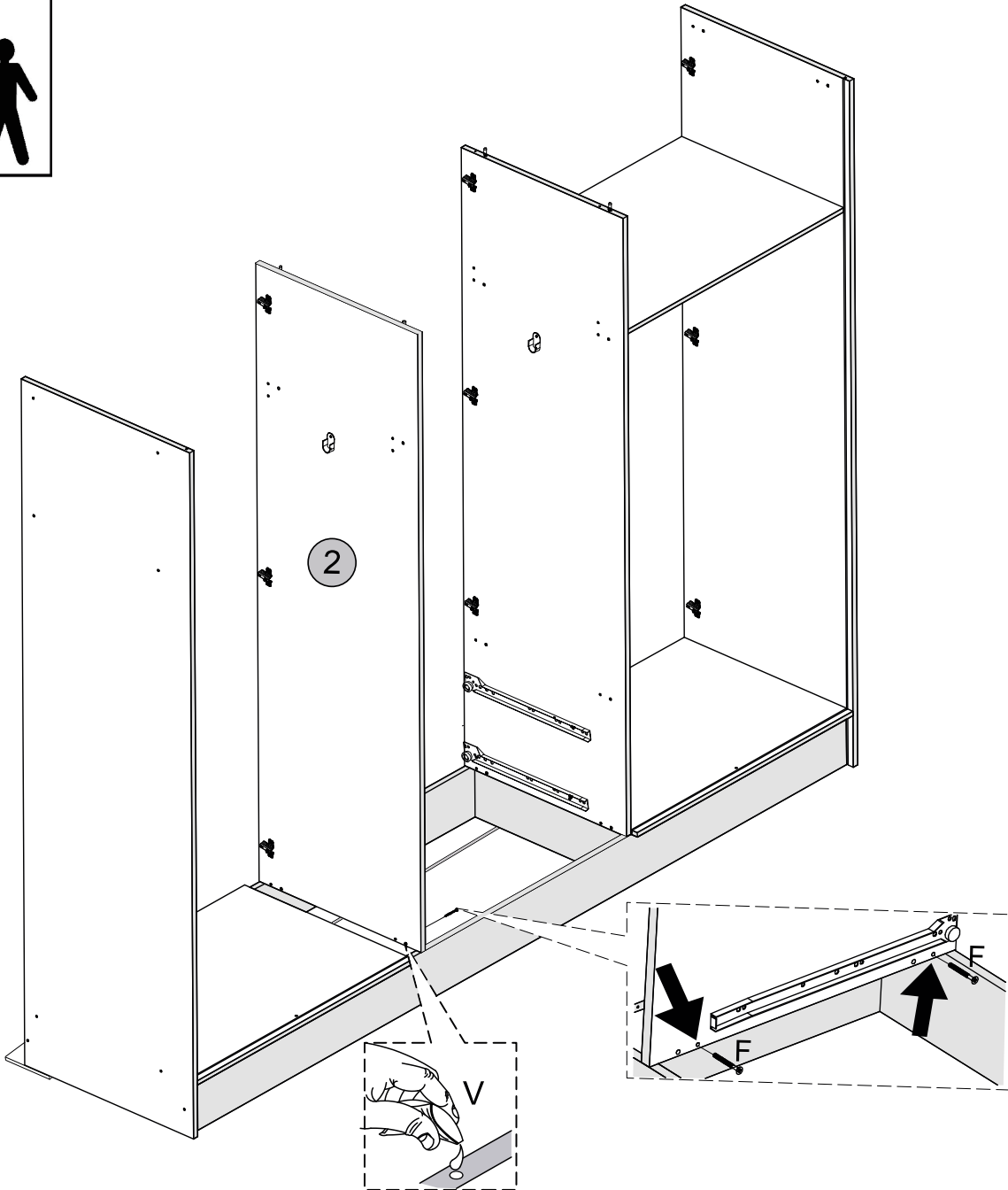


02

V

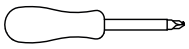


01



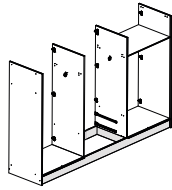
# STEP 21

TOOLS REQUIRED



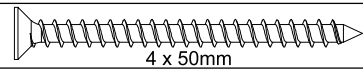
PARTS REQUIRED

01 - SHELF OVER DRAWER x1



HARDWARE REQUIRED

F



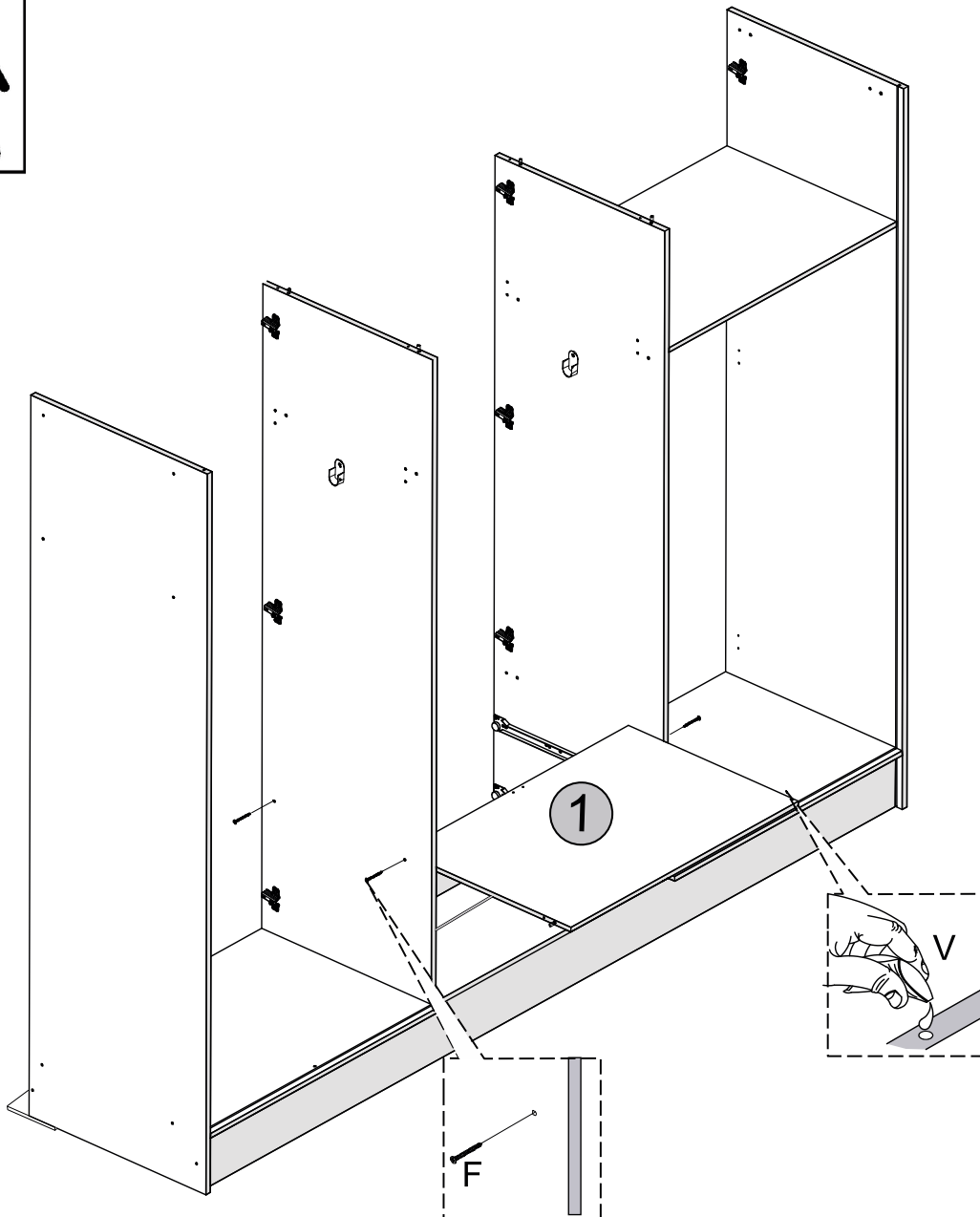
04

4 x 50mm

V

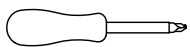


01



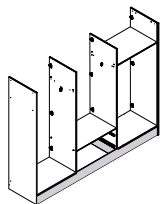
# STEP 22

TOOLS REQUIRED



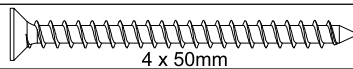
PARTS REQUIRED

05 - UPPER PANEL x1



HARDWARE REQUIRED

F

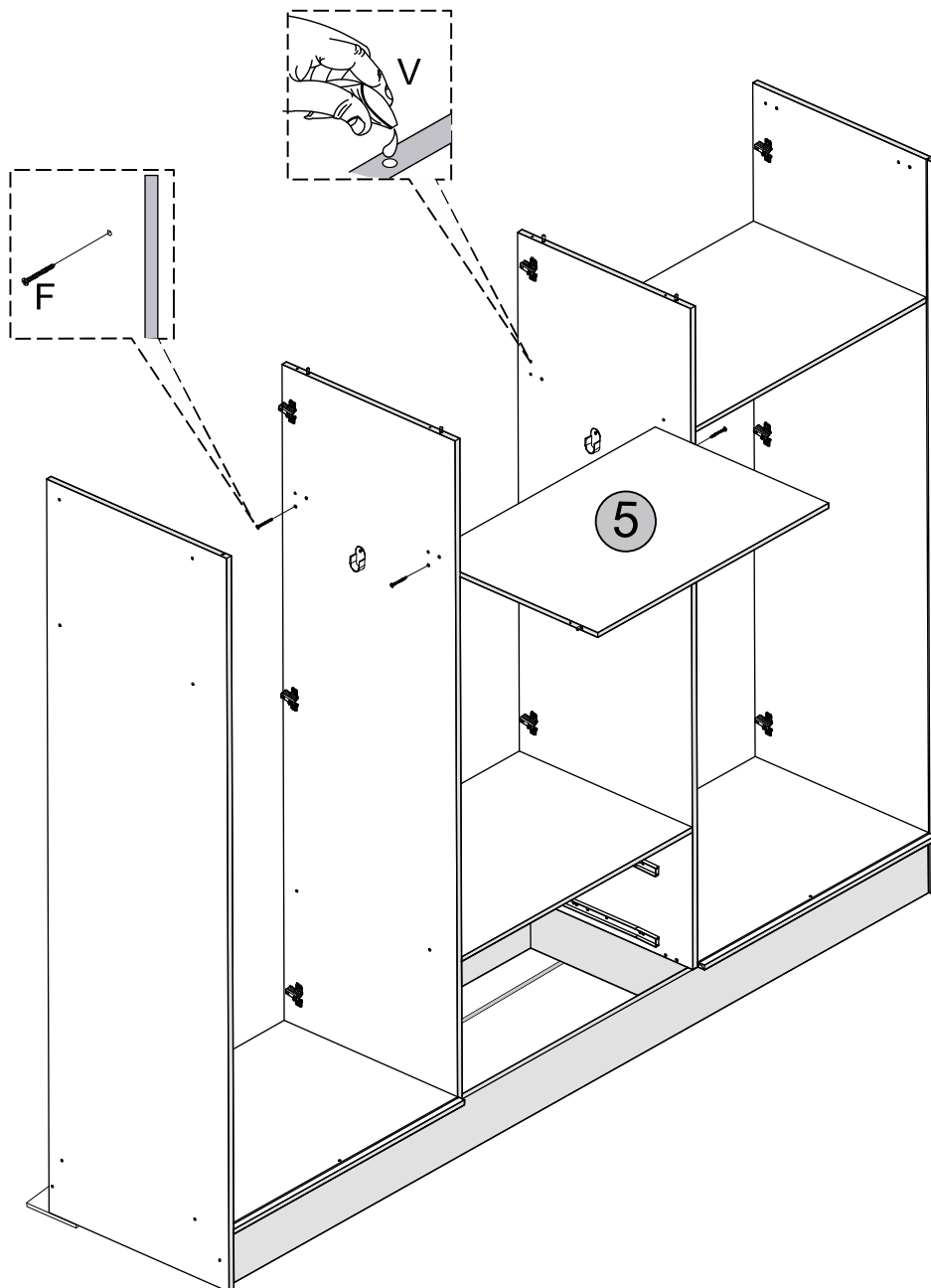
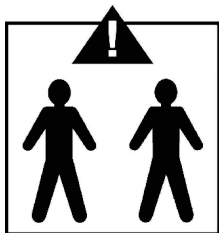


04

V

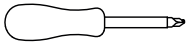


01



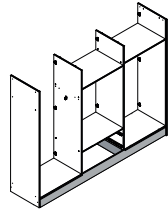
# STEP 23

TOOLS REQUIRED

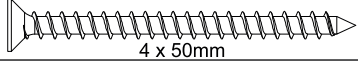


## PARTS REQUIRED

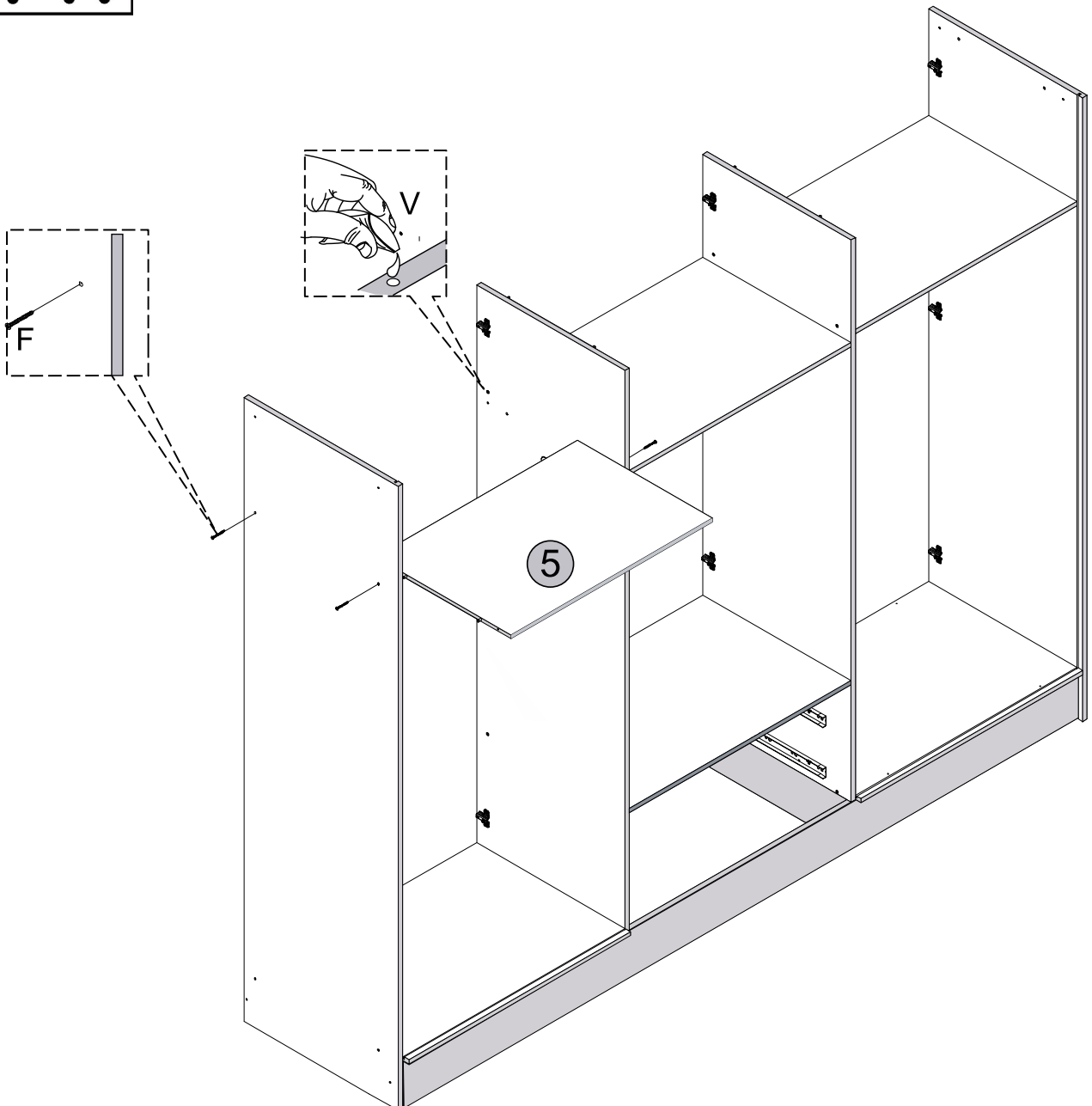
05 - UPPER PANEL x1



## HARDWARE REQUIRED

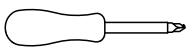
F  04  
4 x 50mm

V  01  
GLUE



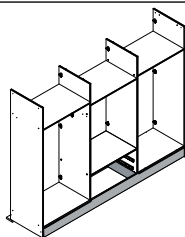
# STEP 24

TOOLS REQUIRED

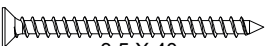


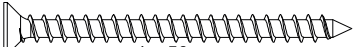
## PARTS REQUIRED

03 - TOP PANEL - x1

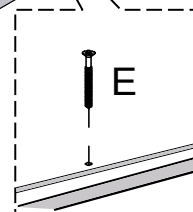
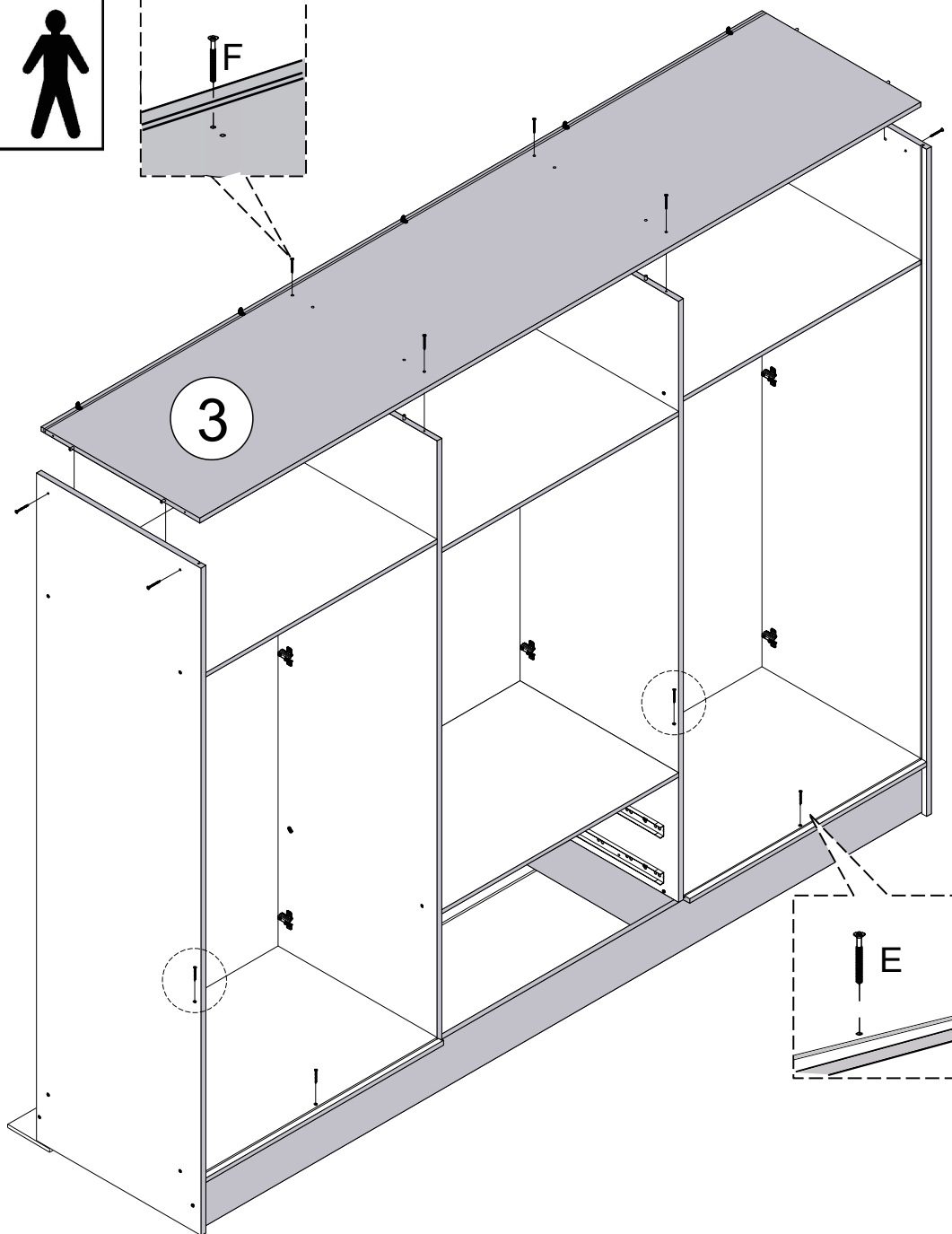
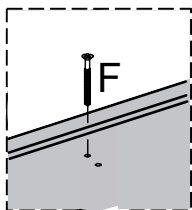
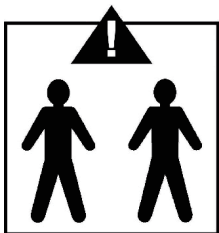


## HARDWARE REQUIRED

**E**  **04**  
3,5 X 40mm

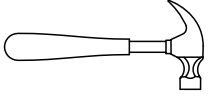
**F**  **08**  
4 x 50mm

**V**  **01**



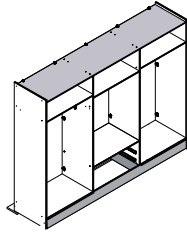
# STEP 25

TOOLS REQUIRED



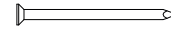
PARTS REQUIRED

21- BACK PANEL x2



HARDWARE REQUIRED

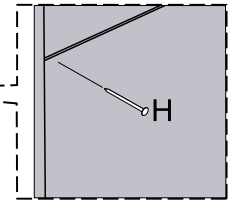
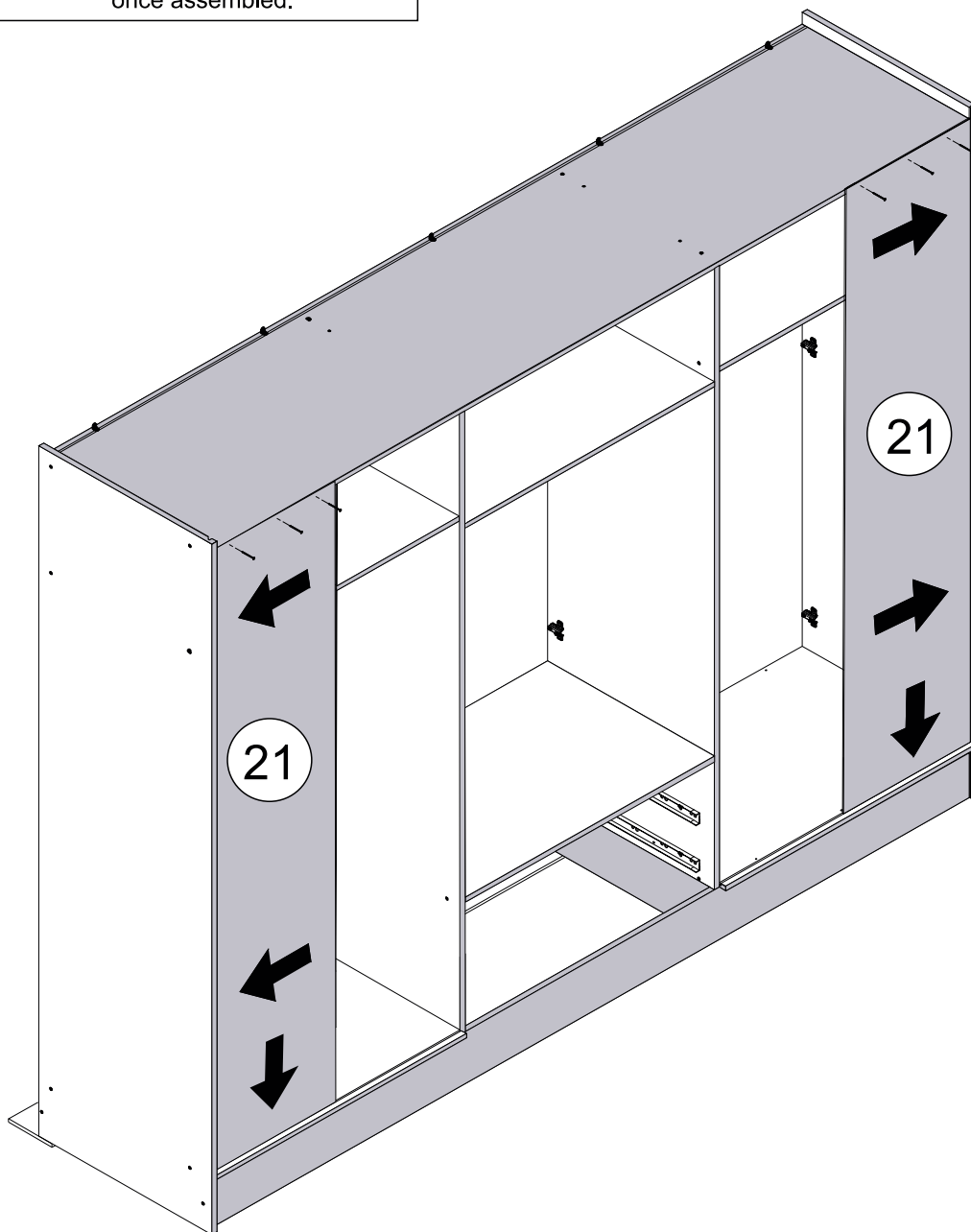
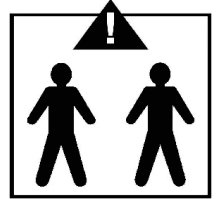
H



06

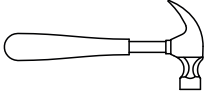
## IMPORTANT PLEASE FOLLOW!

Please make sure the top of Part 21 is lined up straight with Part 3 as this can affect the alignment of the doors once assembled.



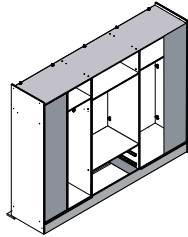
# STEP 26

## TOOLS REQUIRED



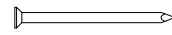
## PARTS REQUIRED

21- BACK PANEL x2



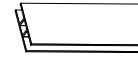
## HARDWARE REQUIRED

H



06

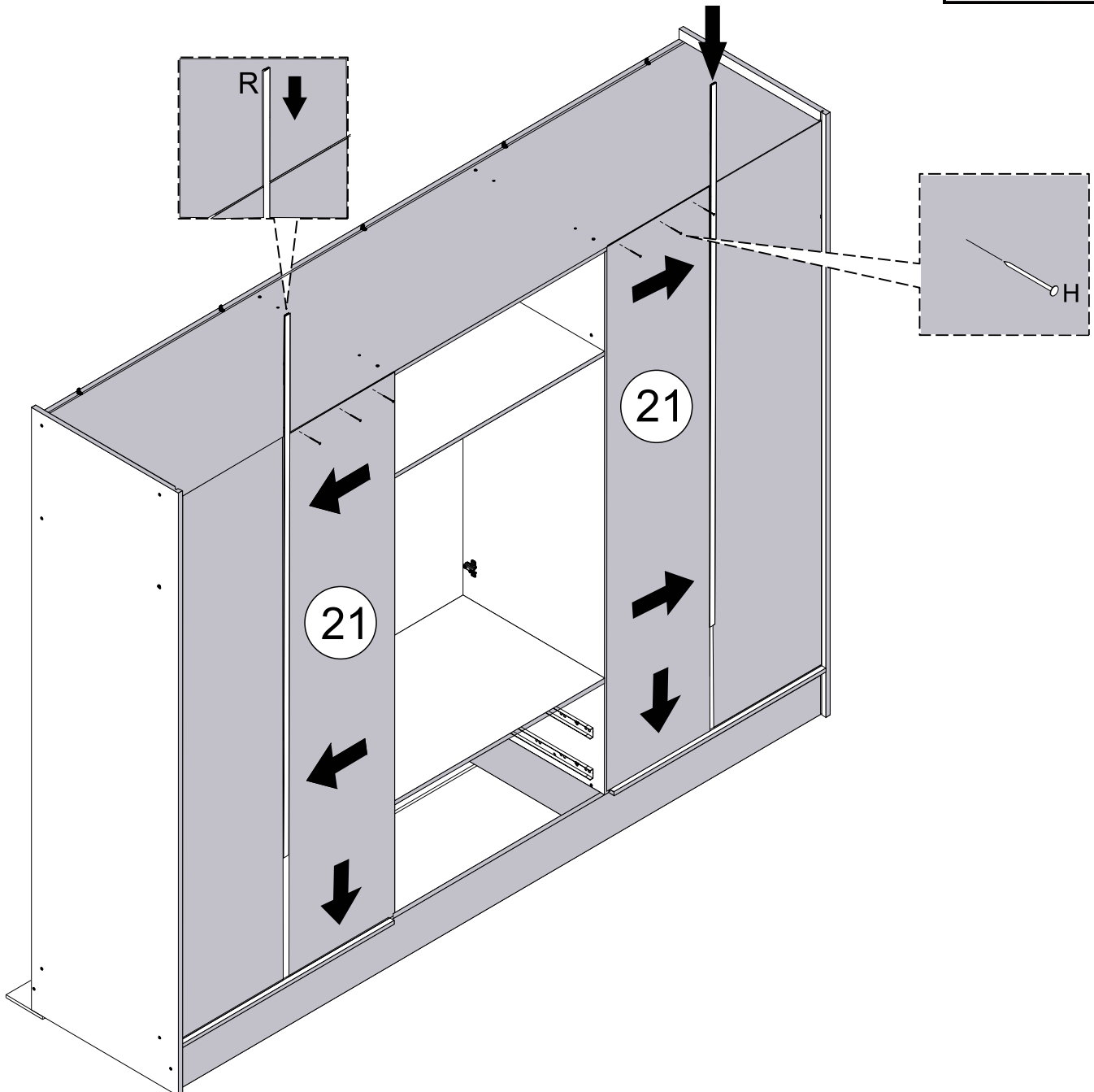
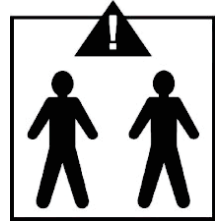
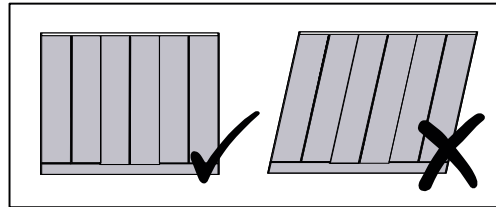
R



02

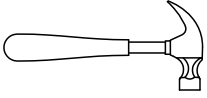
### IMPORTANT PLEASE FOLLOW!

Please make sure the top of Part 21 is lined up straight with Part 3 as this can affect the alignment of the doors once assembled.



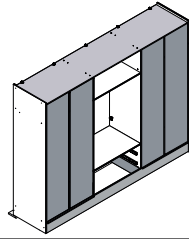
# STEP 27

TOOLS REQUIRED



PARTS REQUIRED

20-CENTRE BACK PANEL x2

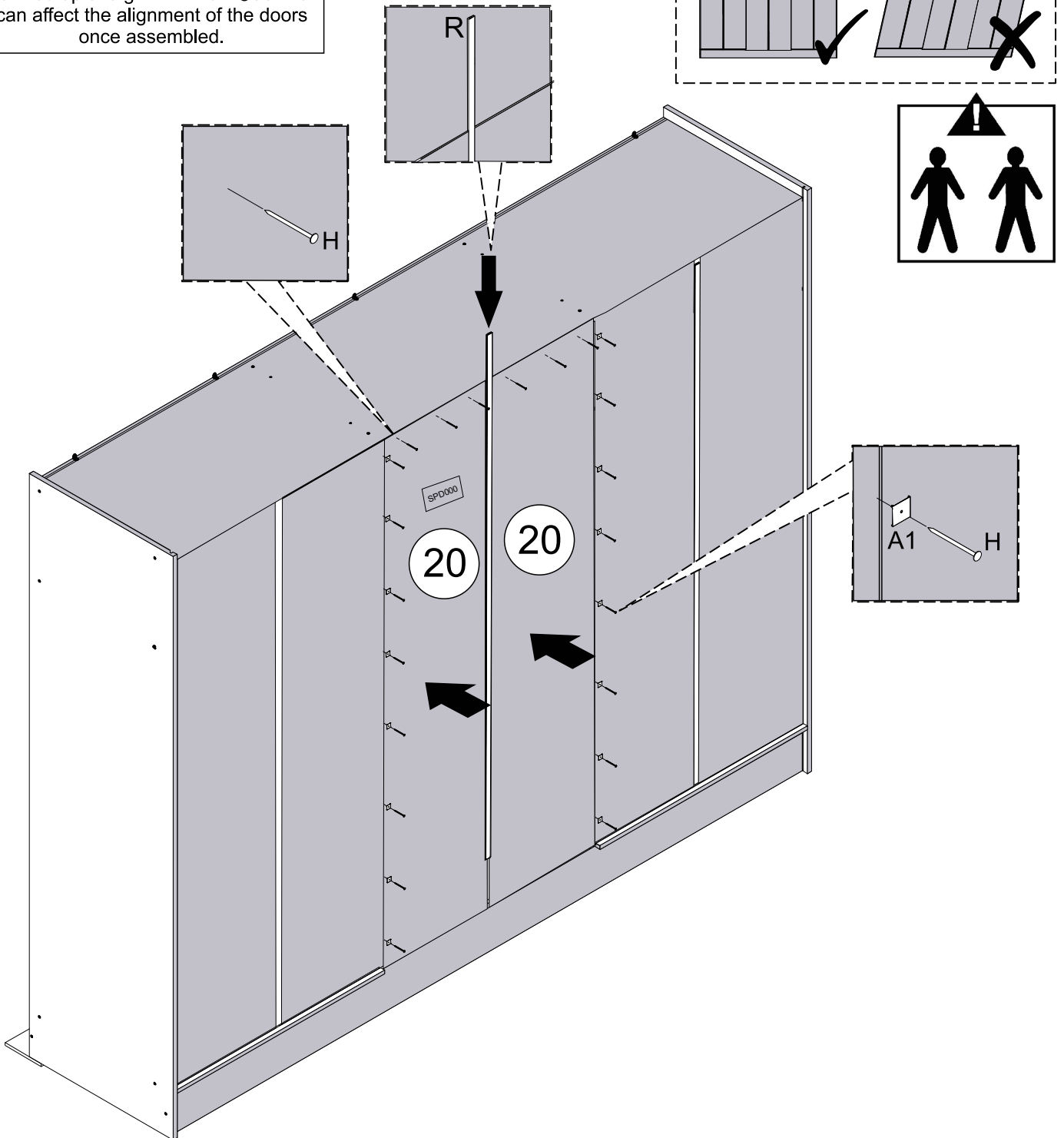
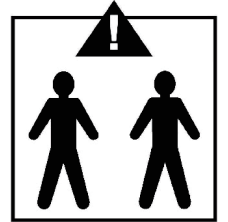
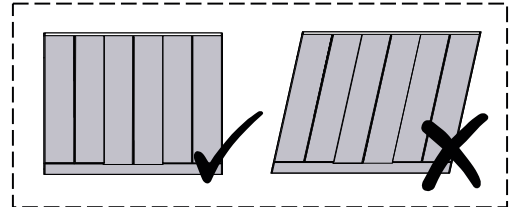


HARDWARE REQUIRED

H		24
R		01
A1		18

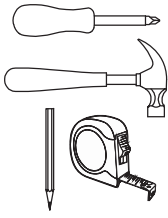
## IMPORTANT PLEASE FOLLOW !

Please make sure the top of Part 20 is lined up straight with Part 3 as this can affect the alignment of the doors once assembled.

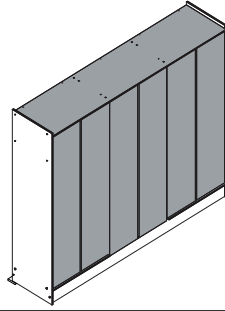


# STEP 28

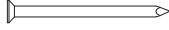

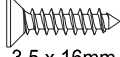
## TOOLS REQUIRED

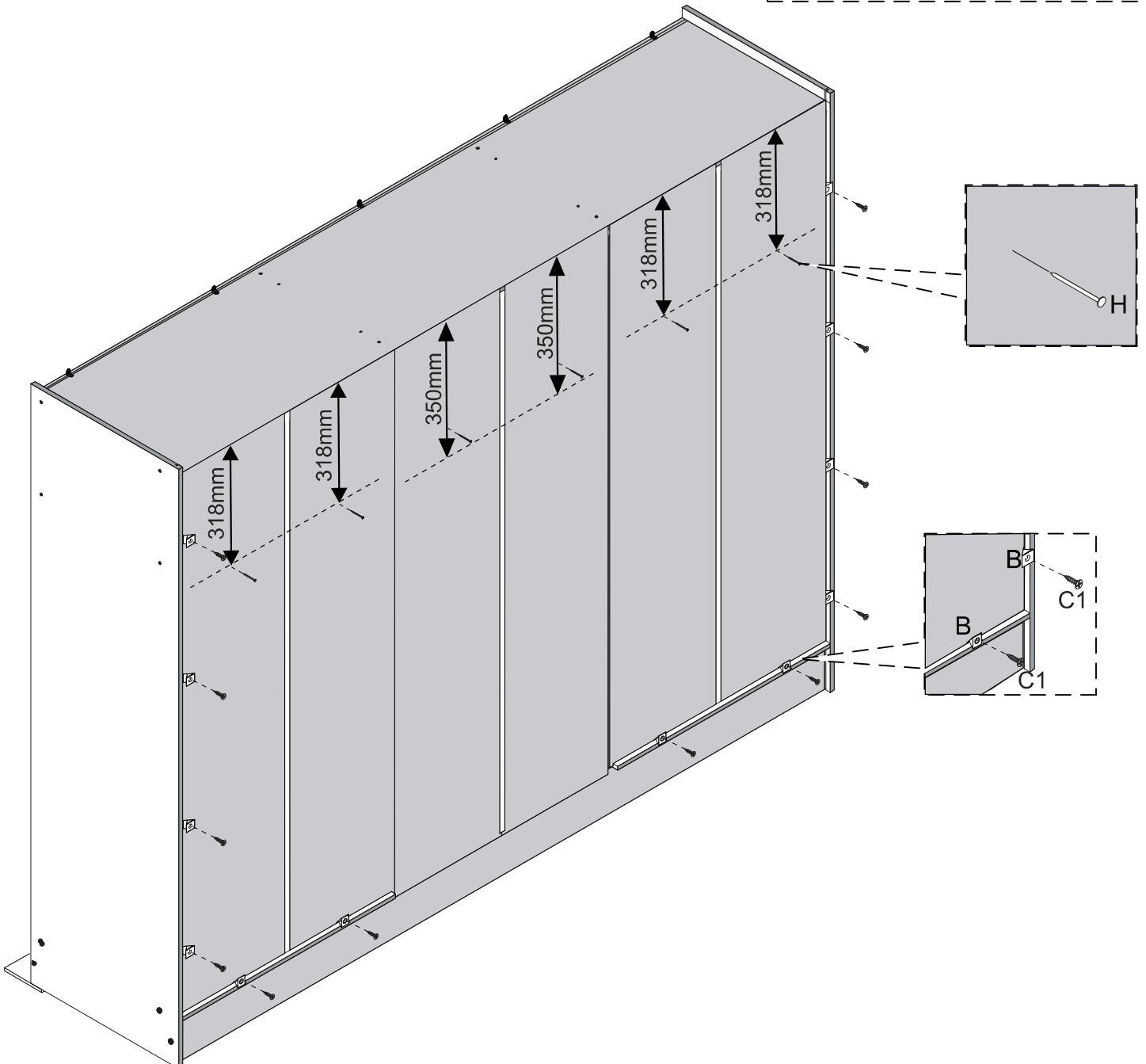
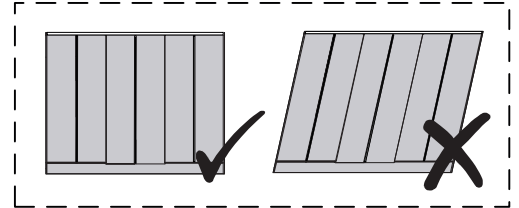
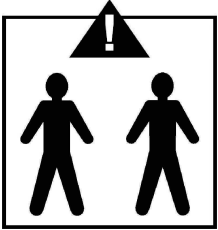


## PARTS REQUIRED



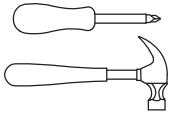
## HARDWARE REQUIRED

H		06
B		12
C1	 3,5 x 16mm	12



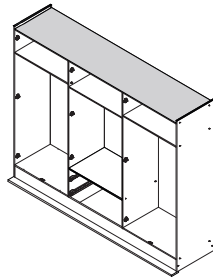
# STEP 29

## TOOLS REQUIRED



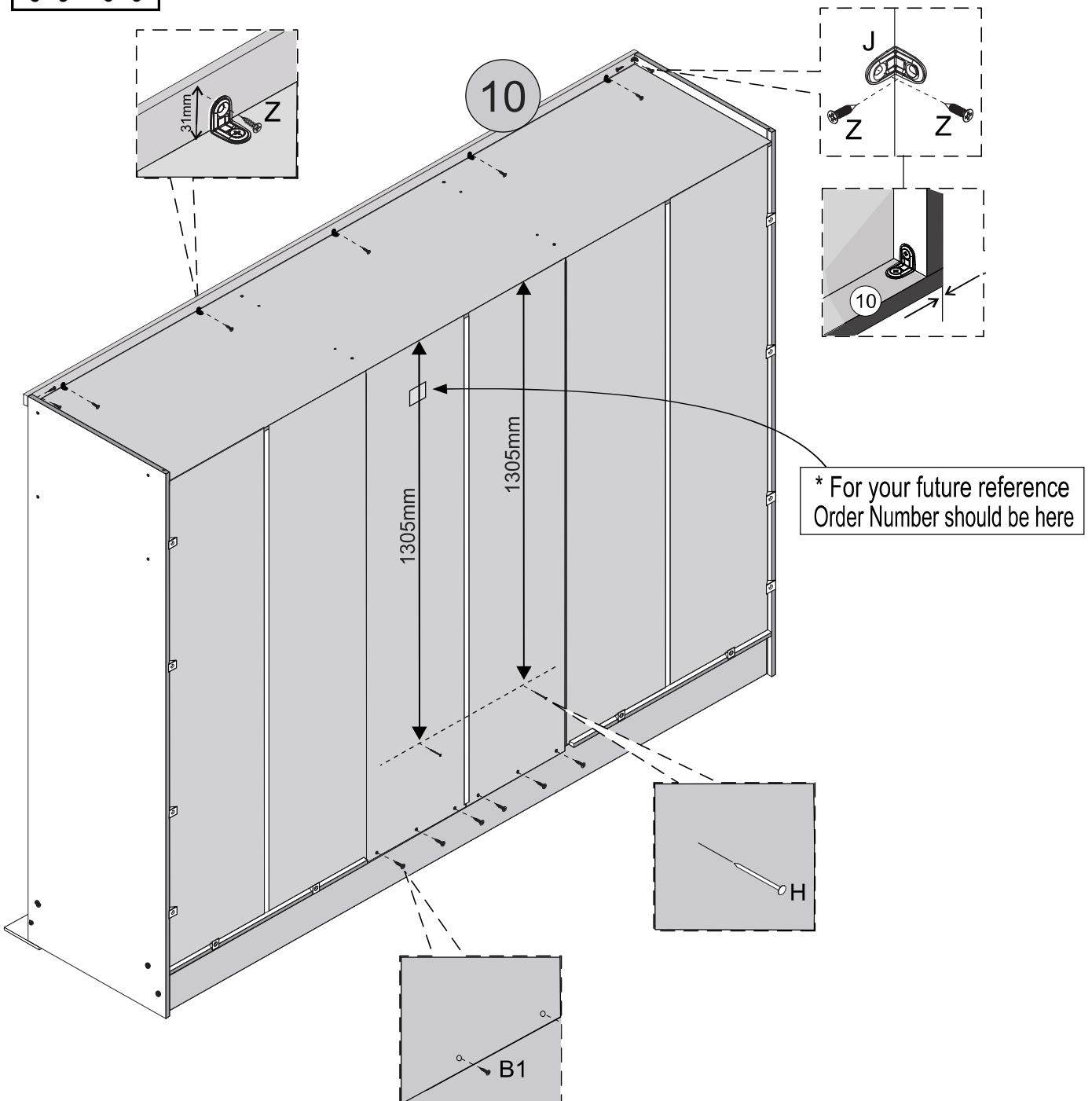
## PARTS REQUIRED

10- FRAME x1



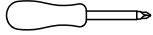
## HARDWARE REQUIRED

H		02
J		02
Z	 4 x 12mm	09
B1	 3,5 x 14mm	06

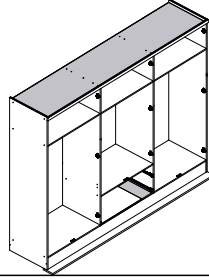


# STEP 30

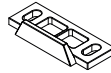
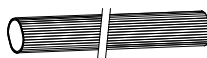
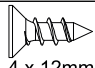
## TOOLS REQUIRED

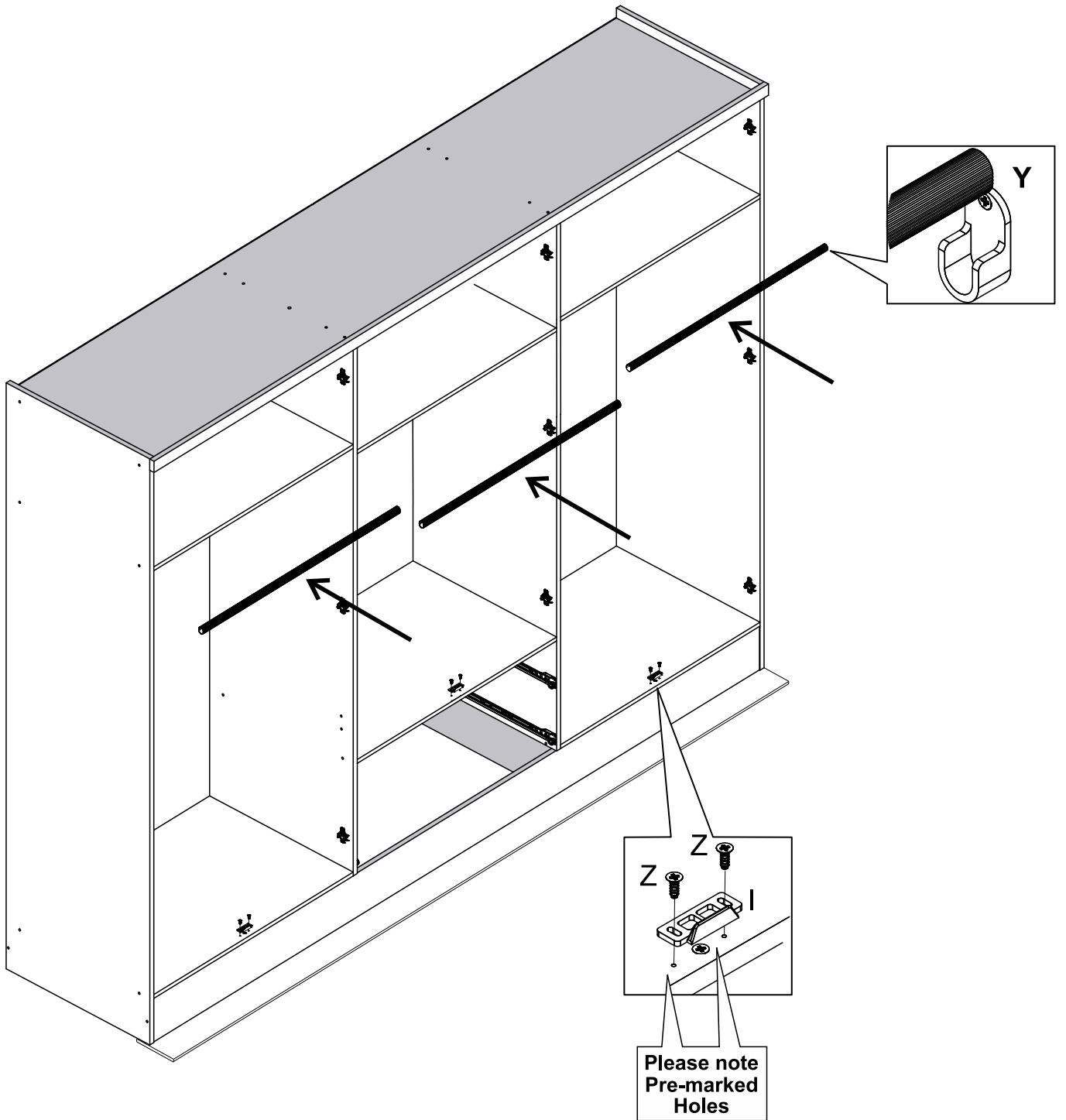


## PARTS REQUIRED



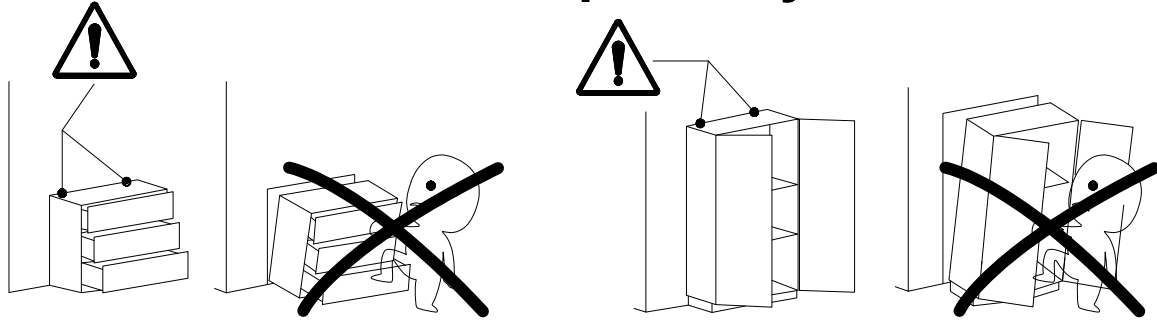
## HARDWARE REQUIRED

I		03
Y		03
Z	 4 x 12mm	06



# STEP 31

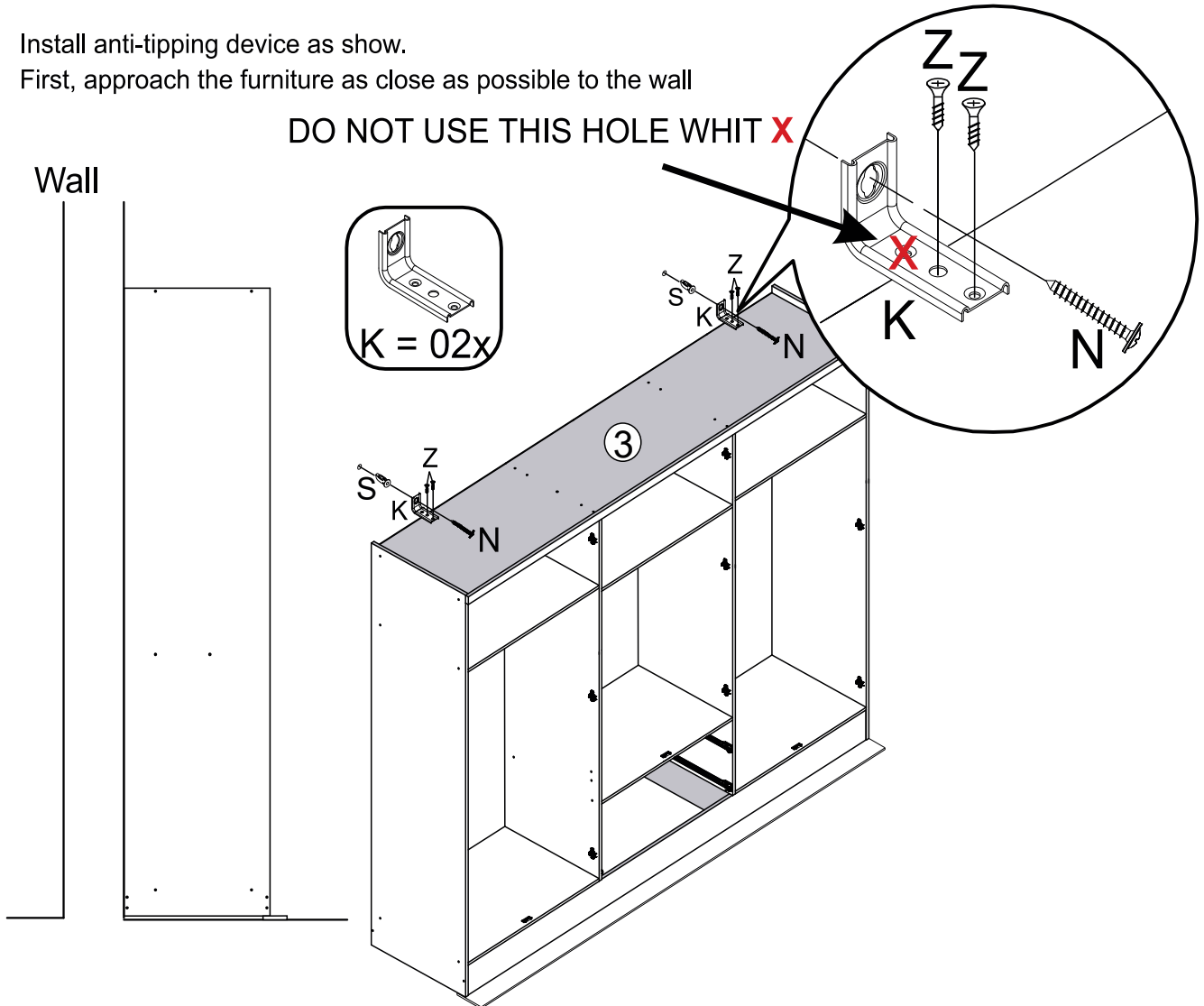
## Attention! Tipover system



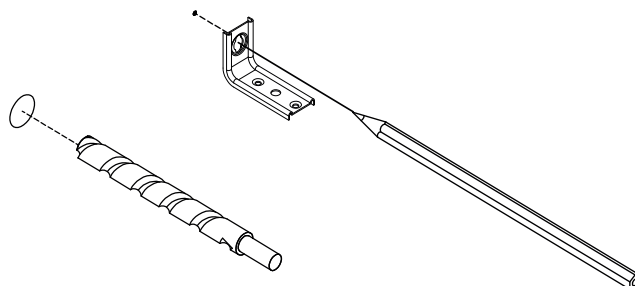
Install anti-tipping device as show.

First, approach the furniture as close as possible to the wall

DO NOT USE THIS HOLE WHIT X



You will need a pencil to mark where you should drill the wall with a 3/8" drill bit to put in the hardware ( S )

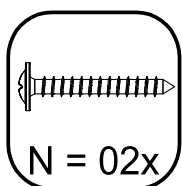
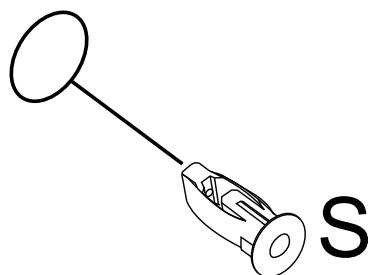


Use the 3/8" drill bit to drill the wall

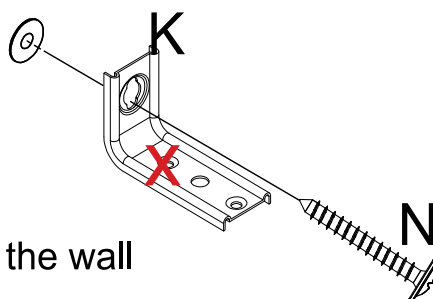
## STEP 32 Attention! Tipover system



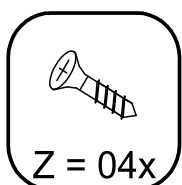
Put hardware ( S ) in to the hole that you drilled on the wall



connect the hardware (K) on the wall using the hardware (N)

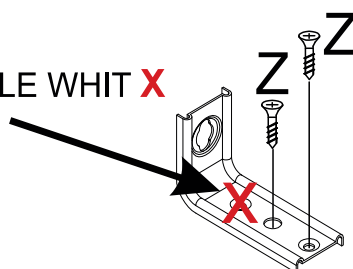


\*Hardware (C1) plugged in the wall



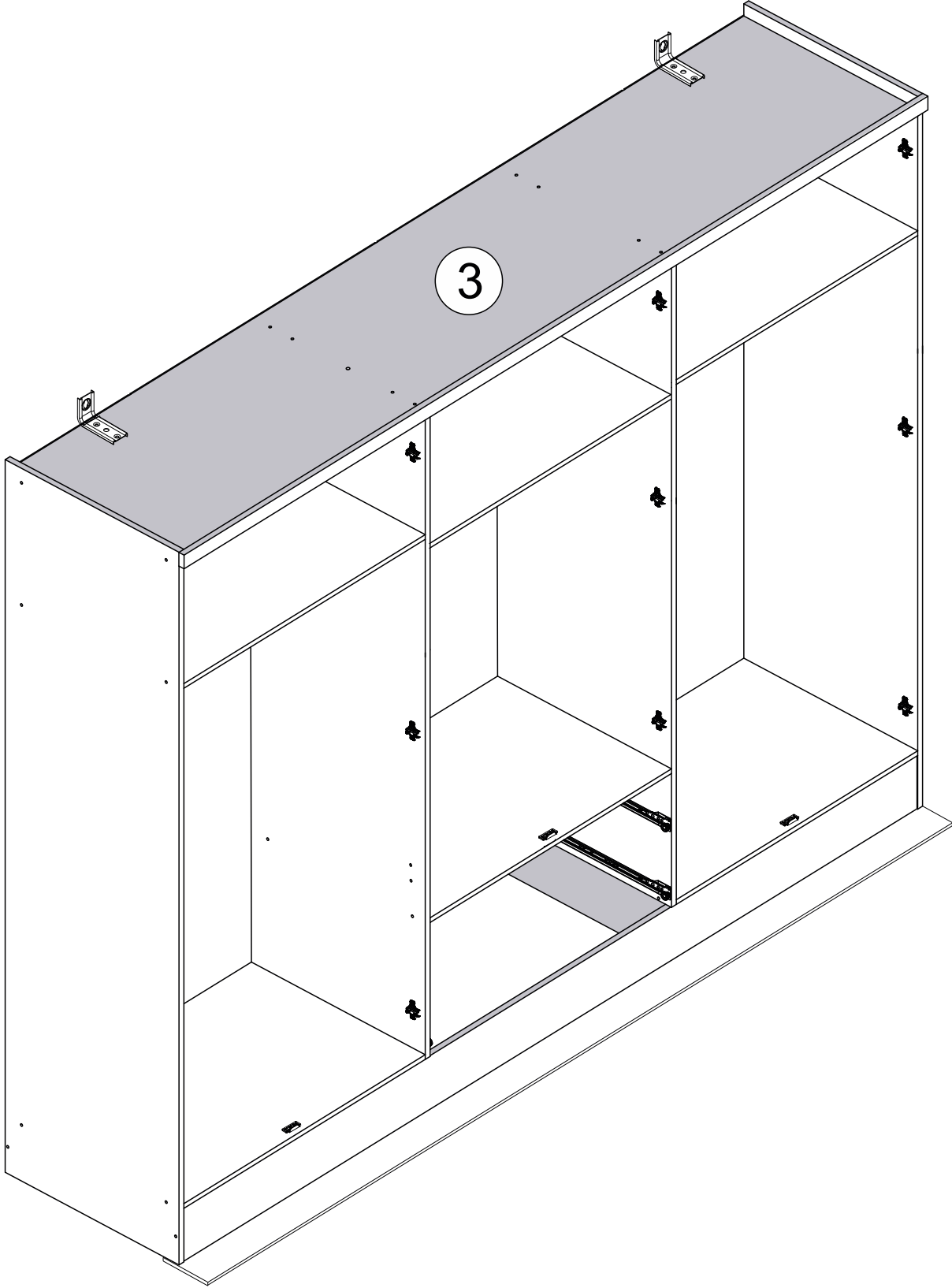
\*Connect the hardware (K) on the part 9(green) with hardware(Z)

DO NOT USE THIS HOLE WHIT X



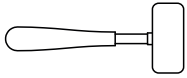
# STEP 33

After installing the anti-tip system your product are ready to use



# STEP 34

## TOOLS REQUIRED

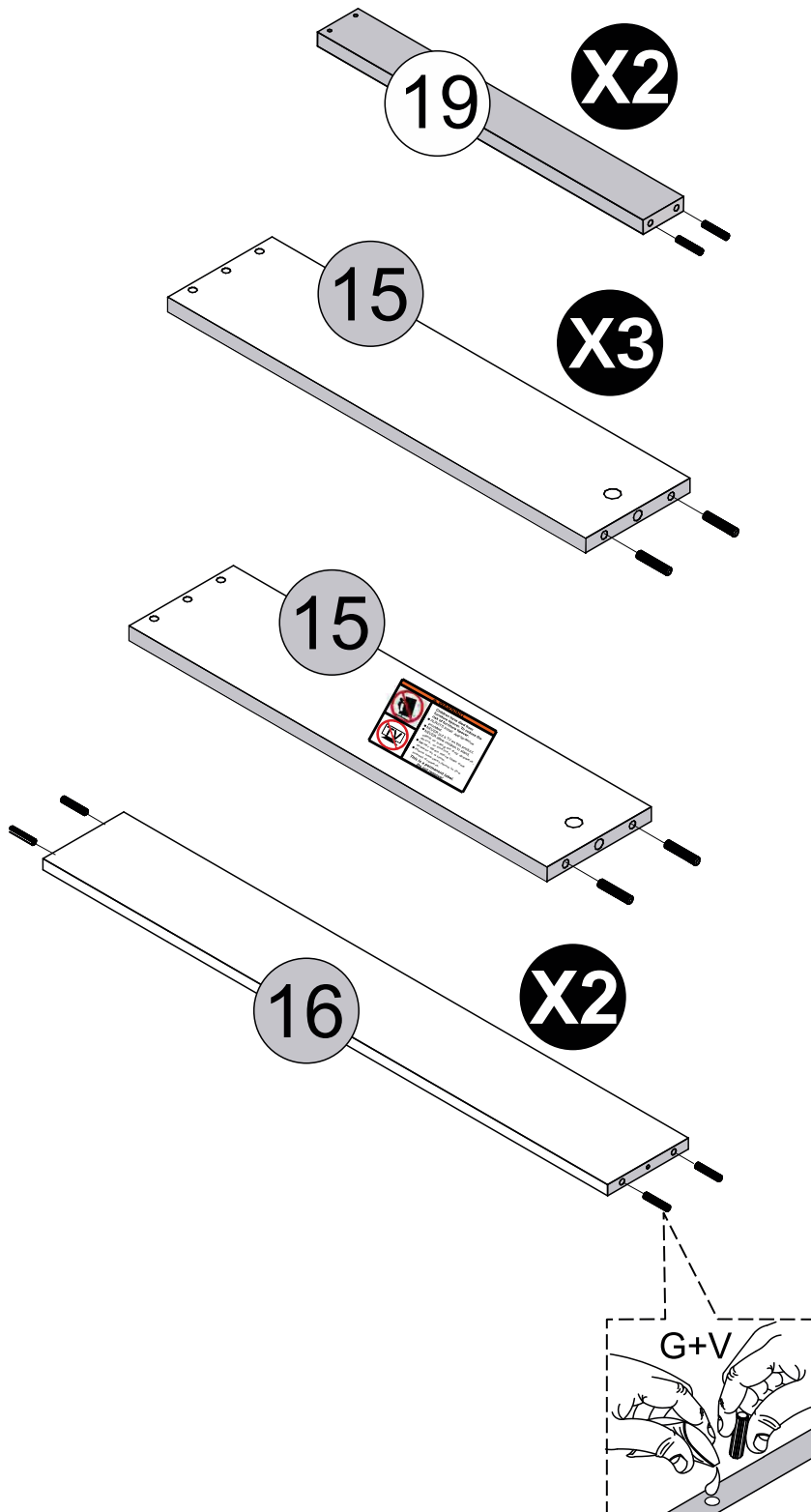


## PARTS REQUIRED

15 - DRAWER SIDE -	x4
16 - DRAWER BACK PANEL -	x2
19 - DRAWER BOTTOM SUPPORTBAR -	x2

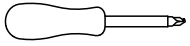
## HARDWARE REQUIRED

G		20
V		01



# STEP 35

TOOLS REQUIRED

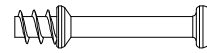


PARTS REQUIRED

17 - DRAWER FRONT x2

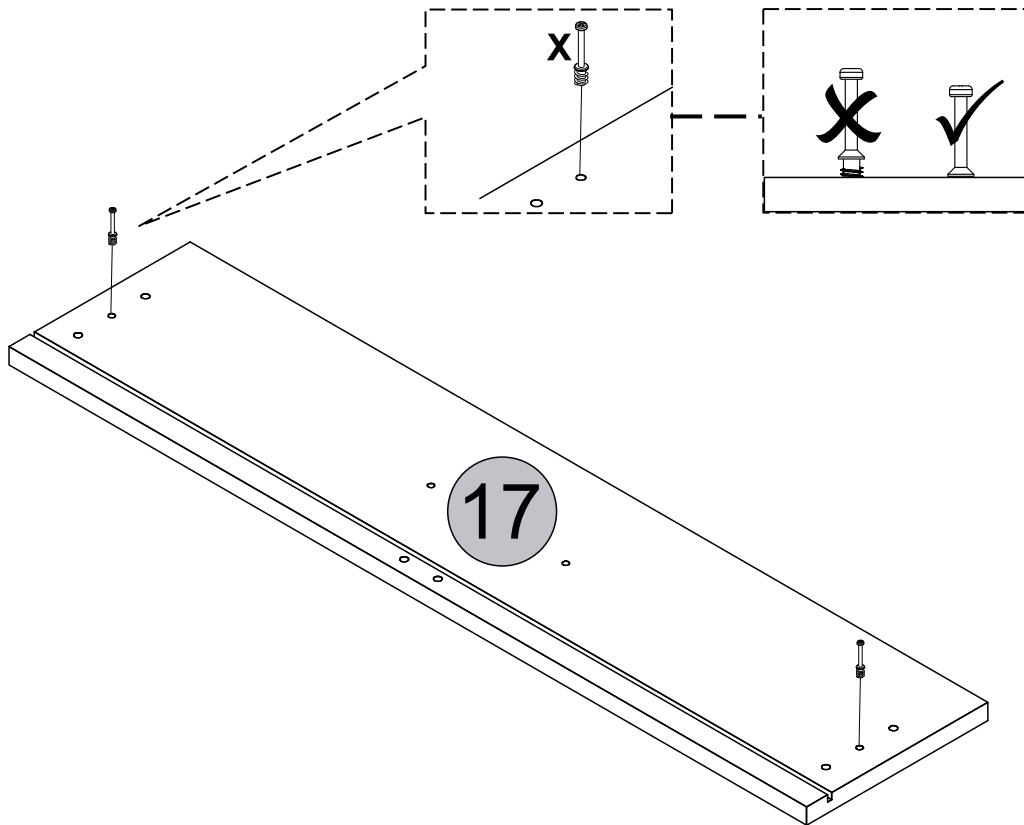
X

HARDWARE REQUIRED



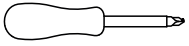
04

# 2x



# STEP 36

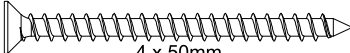
TOOLS REQUIRED



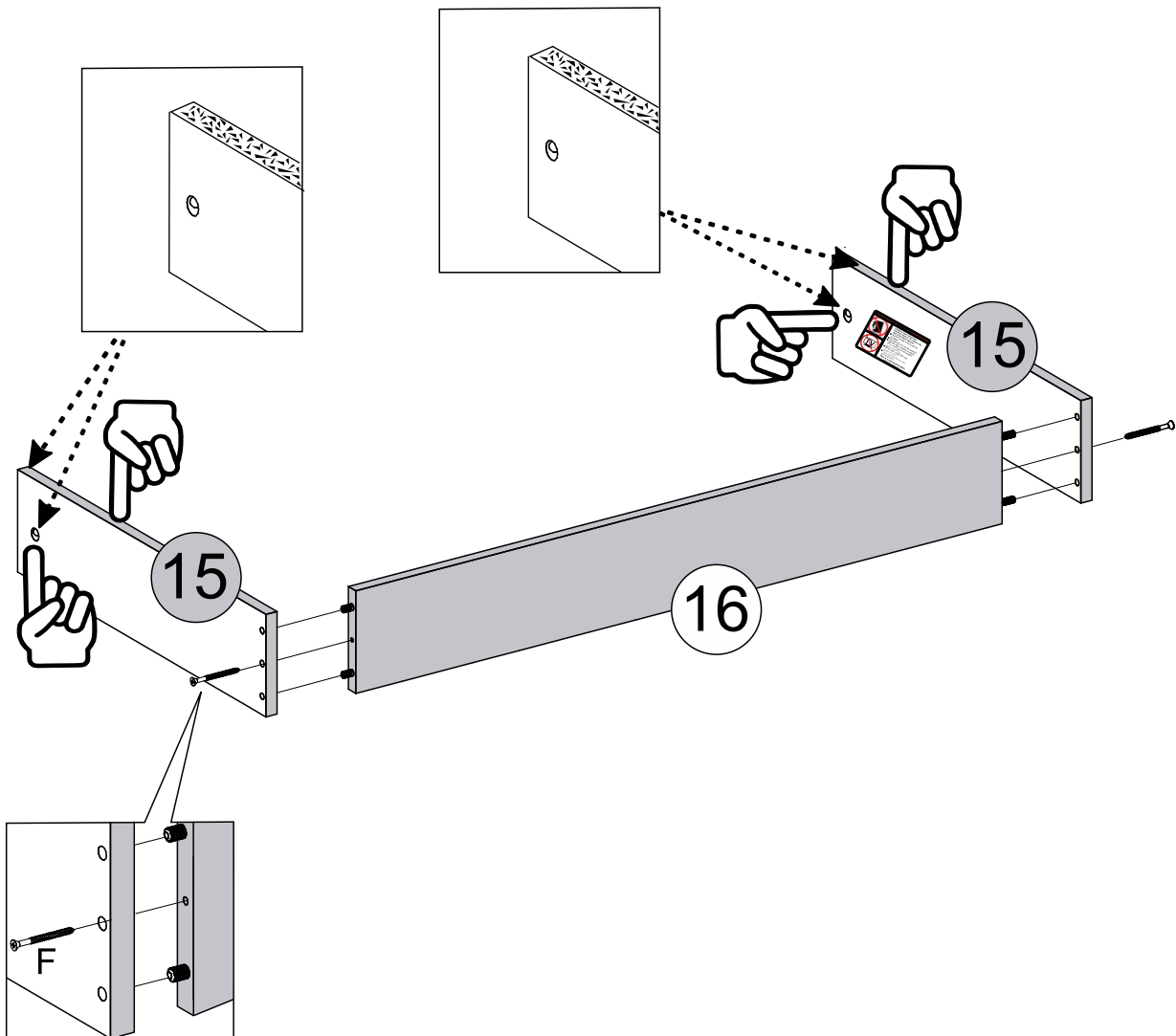
## PARTS REQUIRED

15 - DRAWER SIDE -	x4
16 - DRAWER BACK PANEL -	x2

## HARDWARE REQUIRED

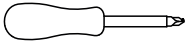
F		04
4 x 50mm		

# 2x



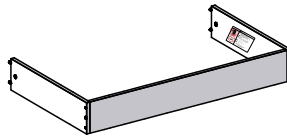
# STEP 37

## TOOLS REQUIRED



## PARTS REQUIRED

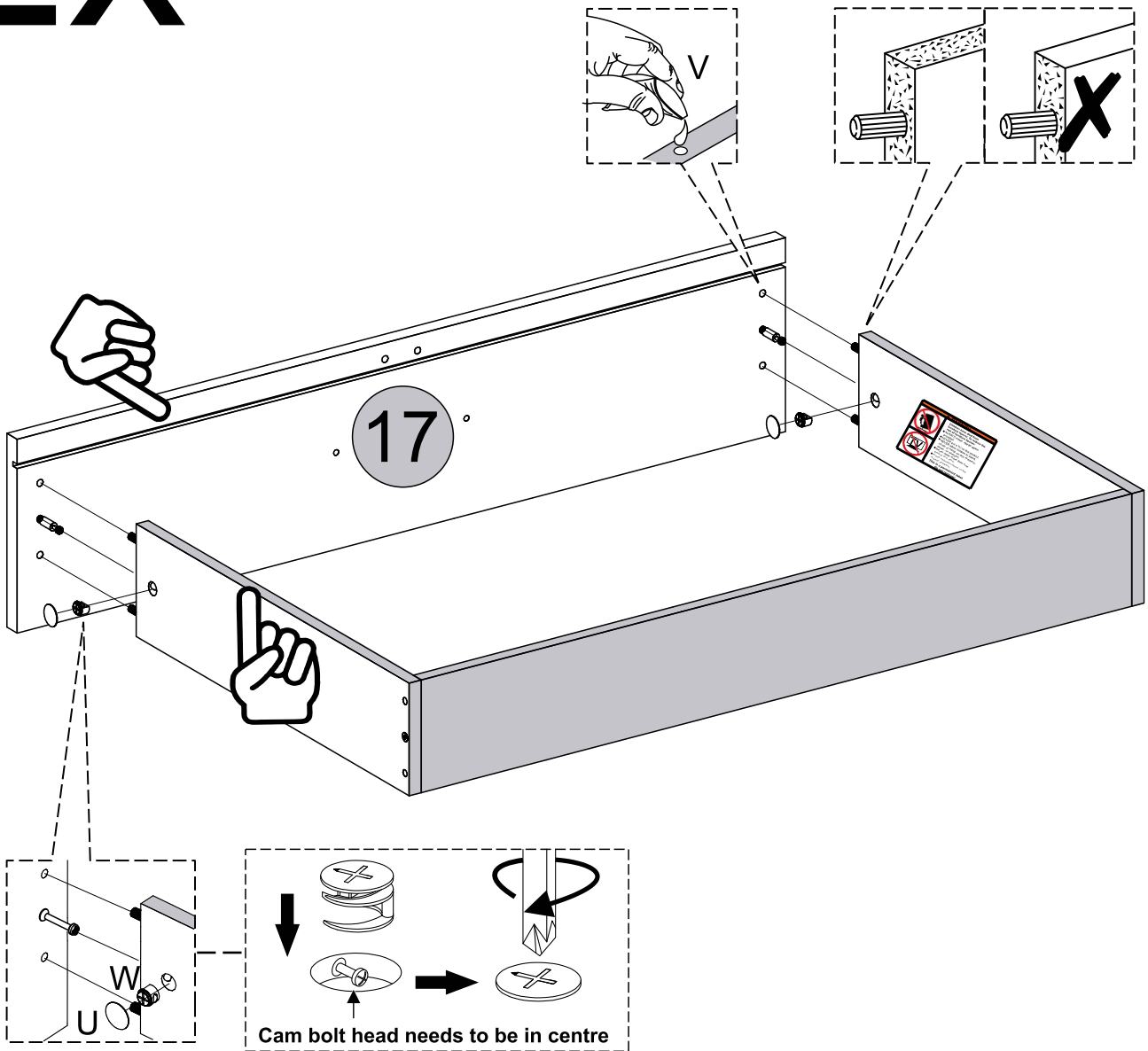
17 - DRAWER FRONT x2



## HARDWARE REQUIRED

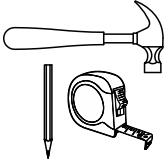
U		04
V	GLUE	01
W		04

# 2x



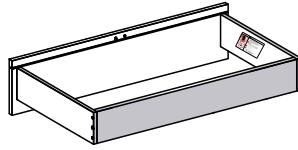
# STEP 38

TOOLS REQUIRED



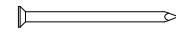
PARTS REQUIRED

18 - DRAWER BOTTOM x2



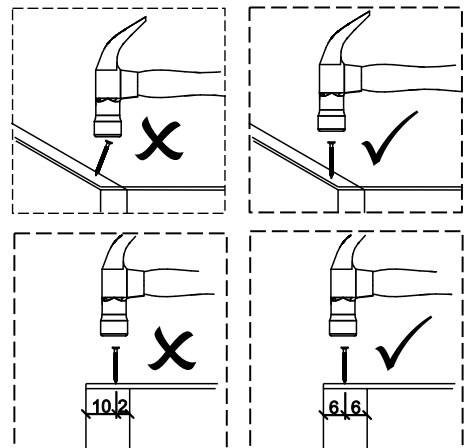
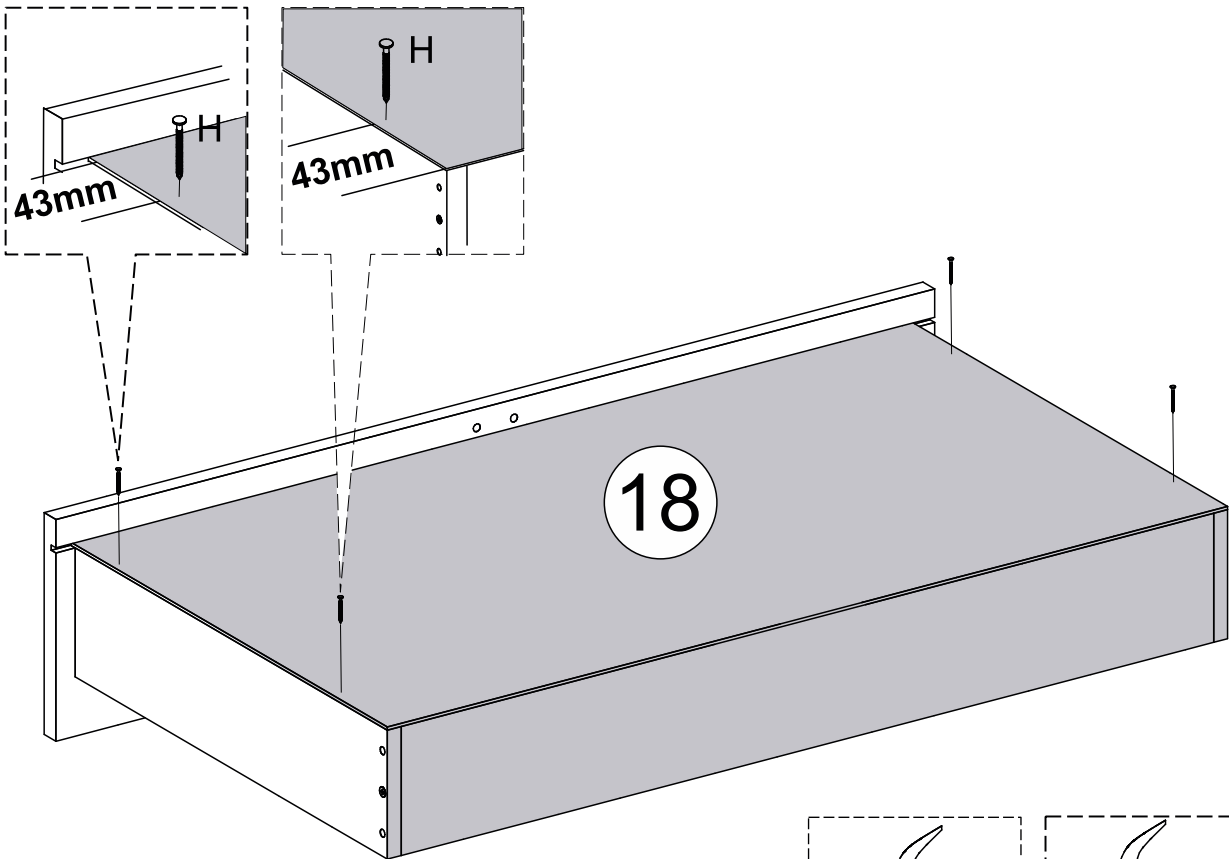
HARDWARE REQUIRED

H



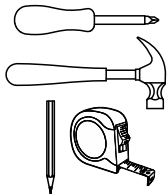
08

# 2x



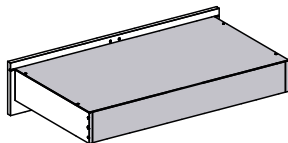
# STEP 39

## TOOLS REQUIRED



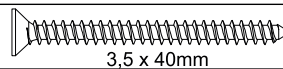
## PARTS REQUIRED

19 - DRAWER BOTTOM SUPPORTBAR - x2



## HARDWARE REQUIRED

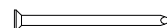
E



3,5 x 40mm

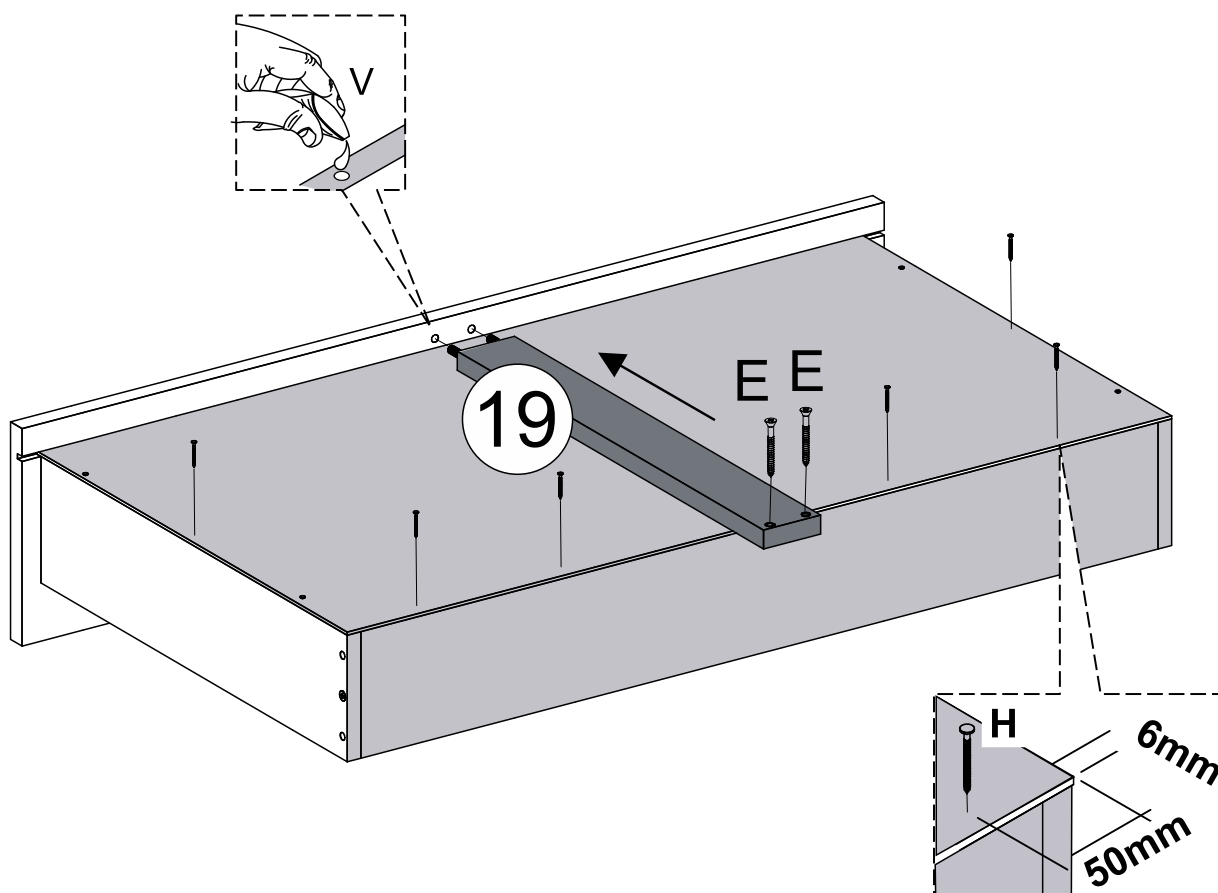
04

H



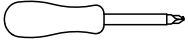
12

# 2x

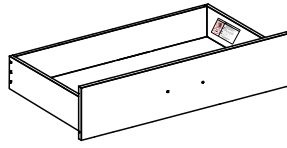


# STEP 40

## TOOLS REQUIRED



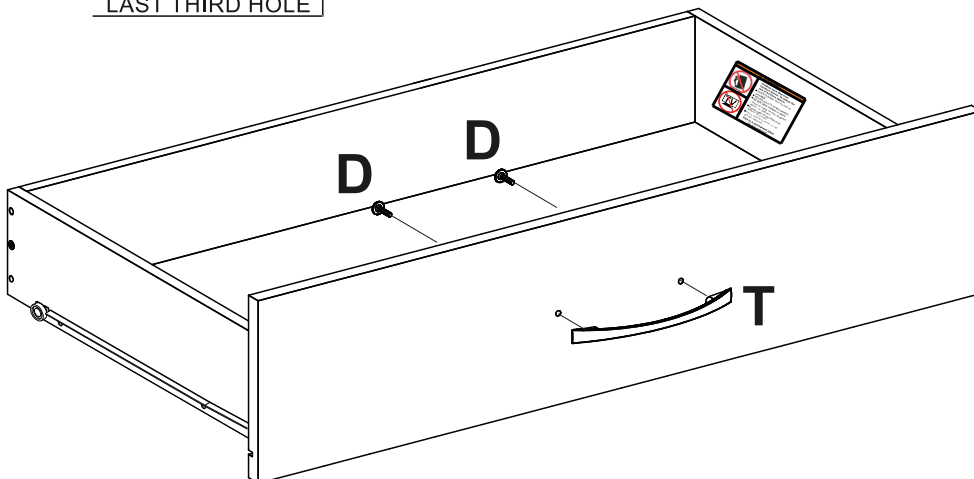
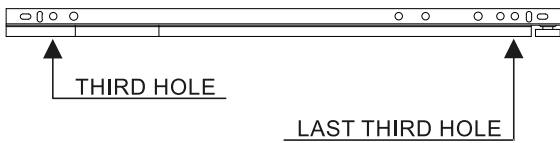
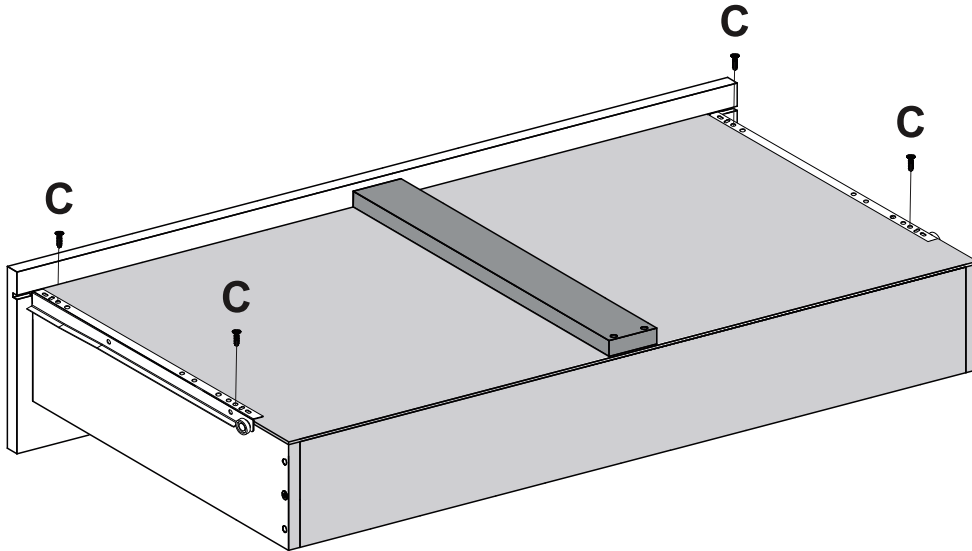
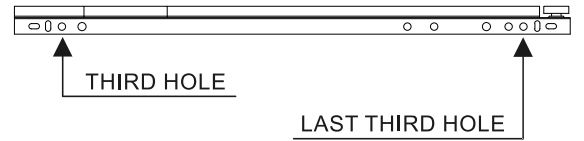
## PARTS REQUIRED



## HARDWARE REQUIRED

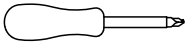
C	4 x 14mm	08
D	4 x 20mm	04
Q		04
T		02

# 2x



# STEP 41

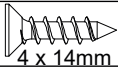

## TOOLS REQUIRED

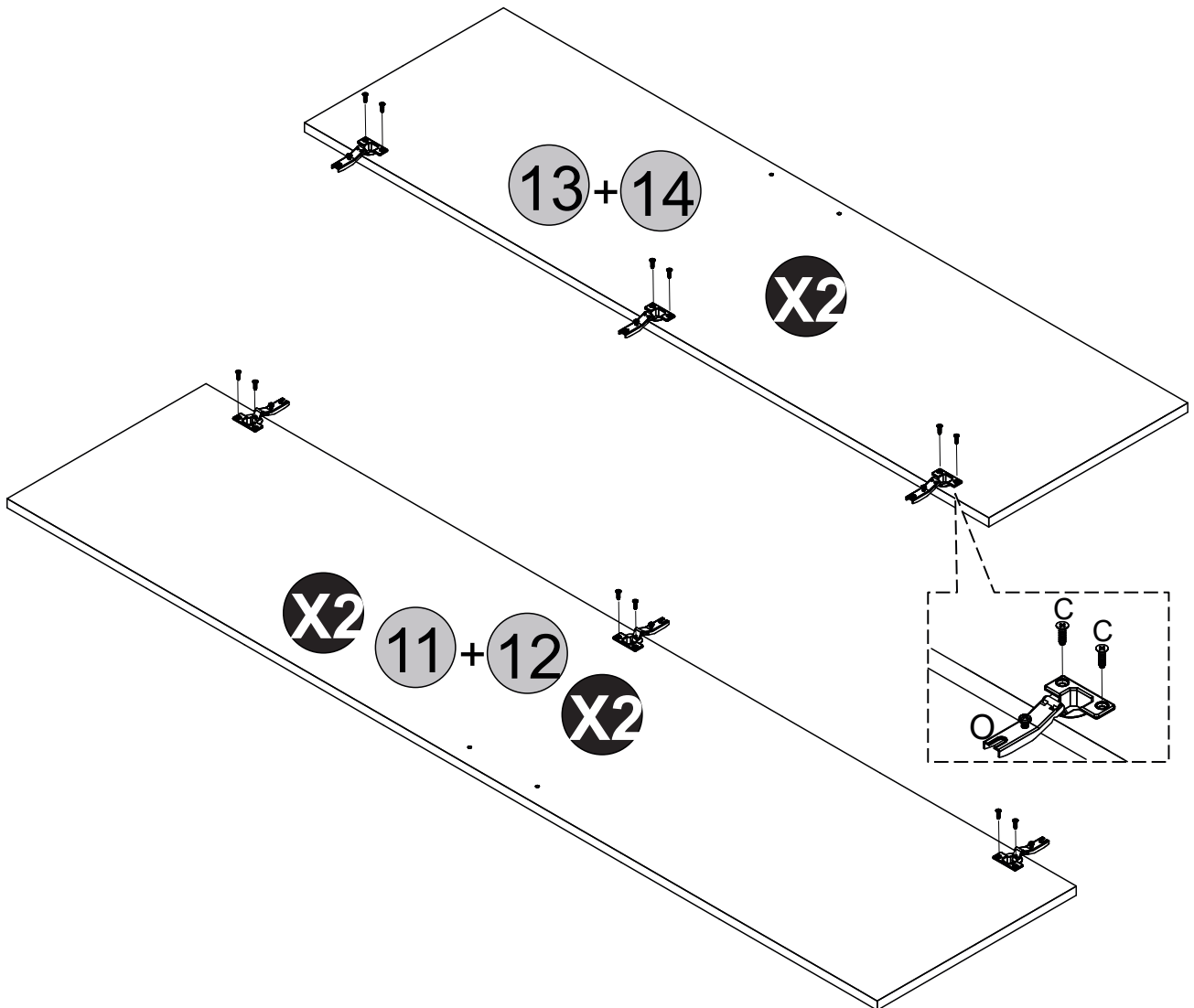


## PARTS REQUIRED

11 - RIGHT LARGE DOOR	X2
12 - LEFT LARGE DOOR	X2
13 - RIGHT SMALL DOOR	X1
14 - LEFT SMALL DOOR	X1

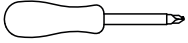
## HARDWARE REQUIRED

C	 4 x 14mm	36
O		18



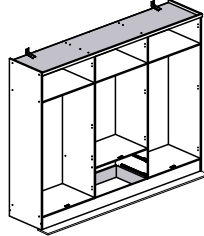
# STEP 42

## TOOLS REQUIRED



## PARTS REQUIRED

11 - RIGHT LARGE DOOR	x2
12 - LEFT LARGE DOOR	x2
13 - RIGHT SMALL DOOR	x1
14 - LEFT SMALL DOOR	x1

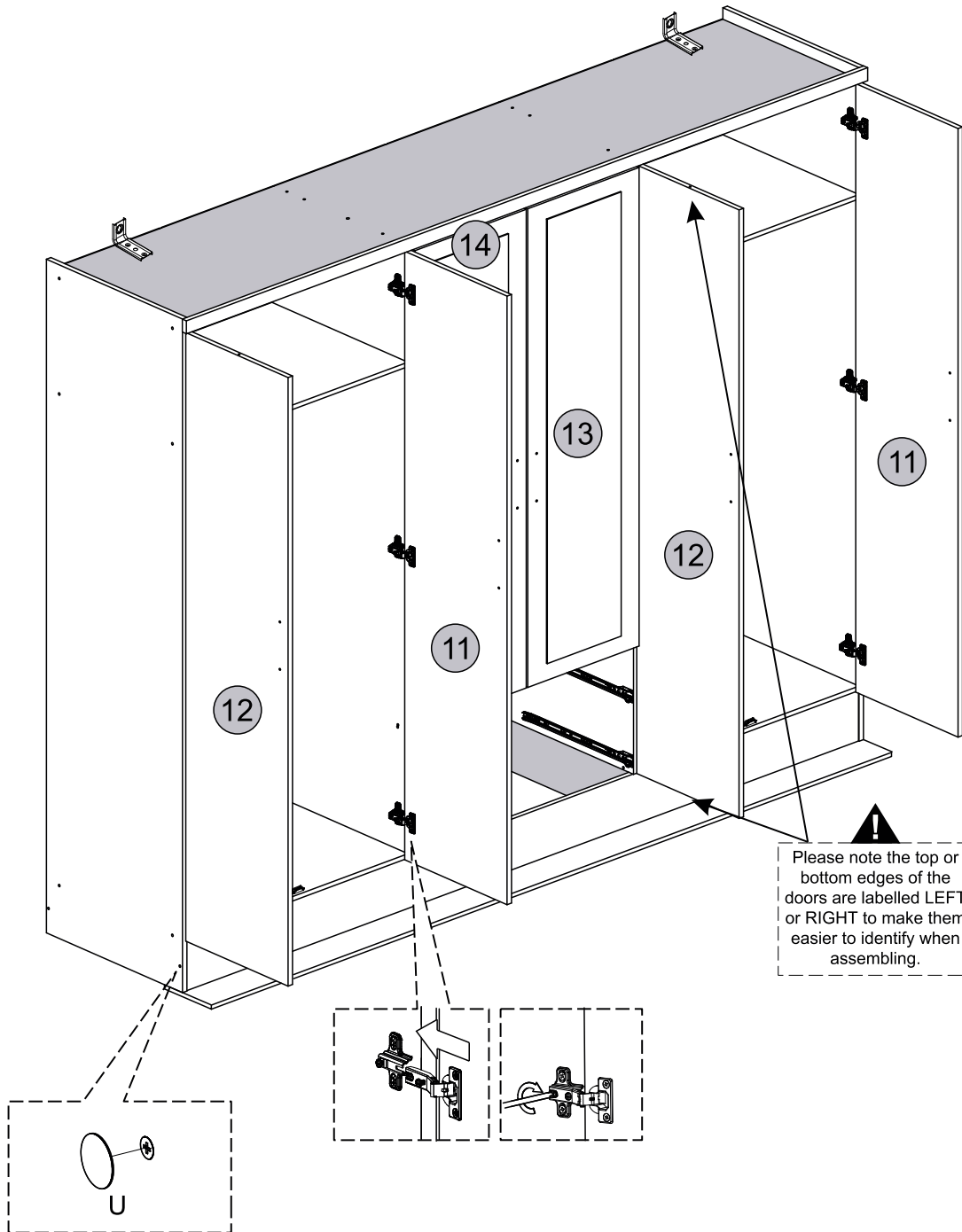


## HARDWARE REQUIRED

U

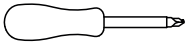


28

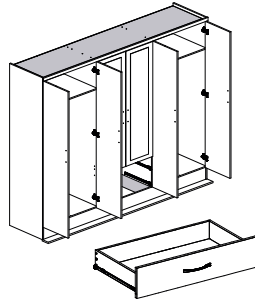


# STEP 43

TOOLS REQUIRED

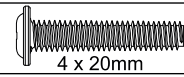


PARTS REQUIRED



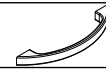
HARDWARE REQUIRED

D

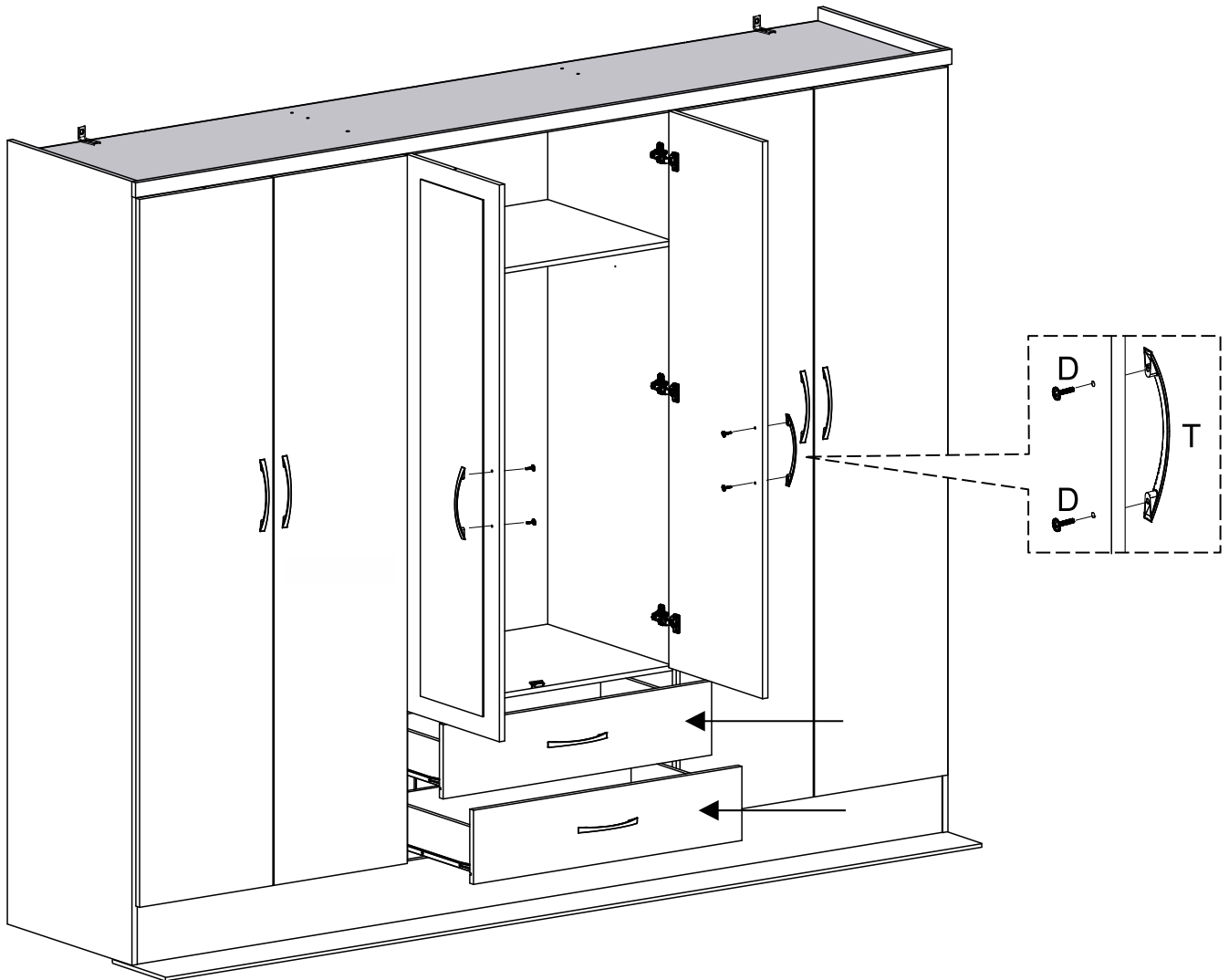


12

T

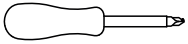


06

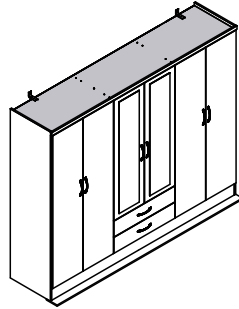


# STEP 44

TOOLS REQUIRED

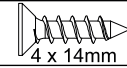


PARTS REQUIRED

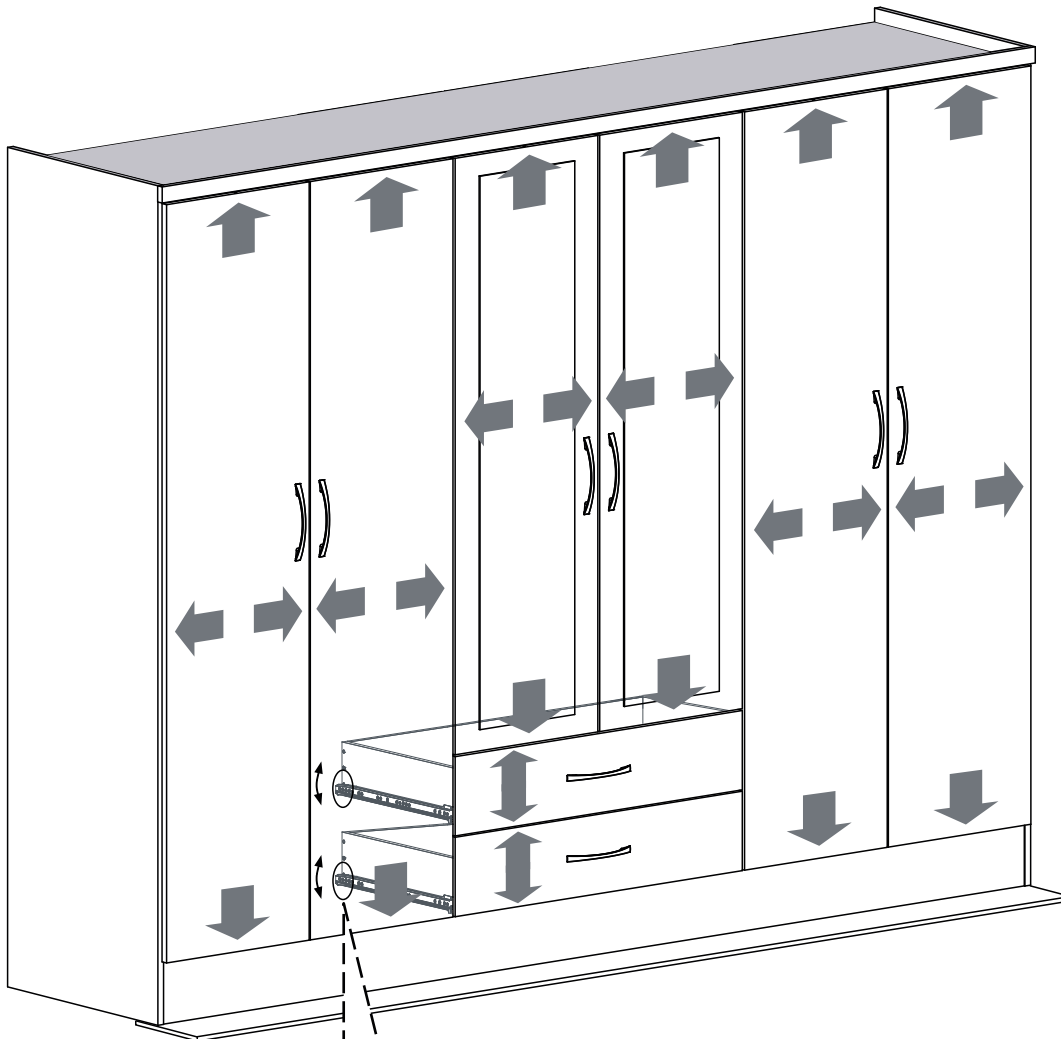


HARDWARE REQUIRED

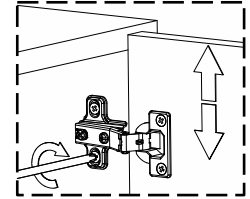
C



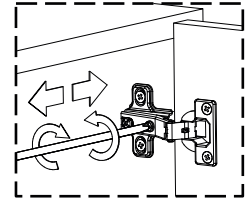
04



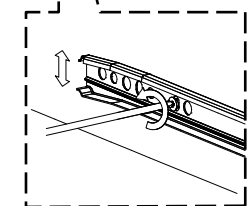
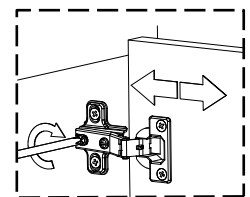
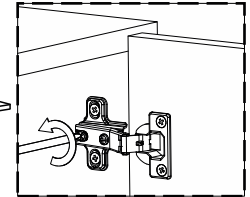
Height Adjustment



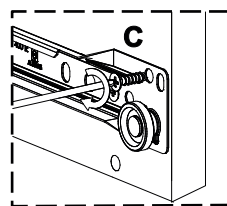
Internal Adjustment



Depth Adjustment



Drawer Adjustment



Drawer Lock

