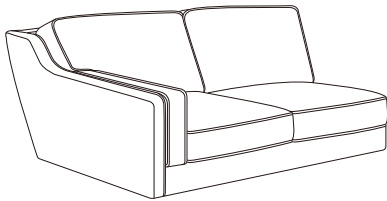


# ASSEMBLY INSTRUCTION

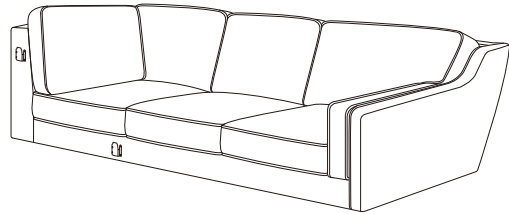
## LEFT ARM LOVESEAT AND RIGHT ARM SOFA CORNER

**A** Left Arm Loveseat



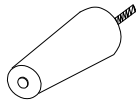
1 pc

**B** Right Arm Sofa Corner

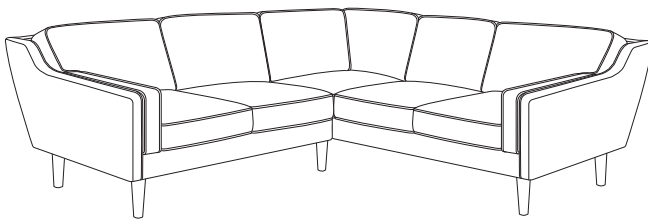


1 pc

**C** Leg



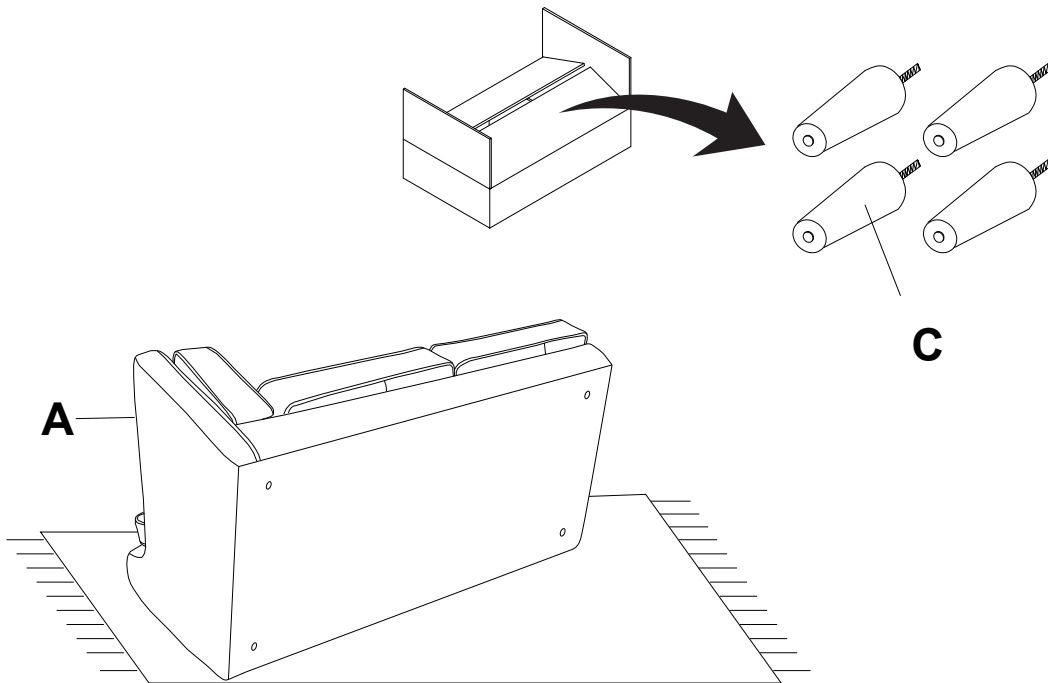
8 pcs



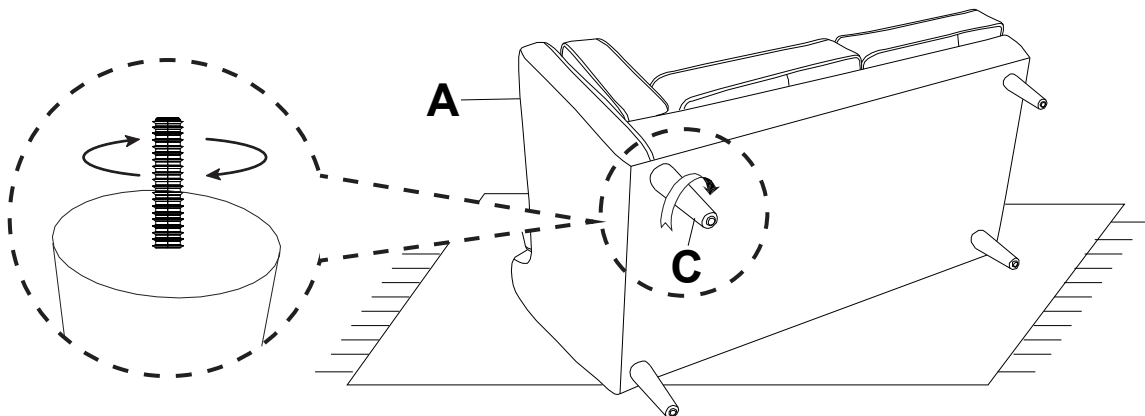
This page lists all the contents included in the box. Please take the time to identify the hardware as well as the individual components to this product. As you unpack and prepare for assembly, place the contents on a carpeted or padded area to protect them from damage.

**1**

Upside down the Left Arm Loveseat (A) on a carpeted or padded area. Take out 4pcs Leg (C) from the foot box.

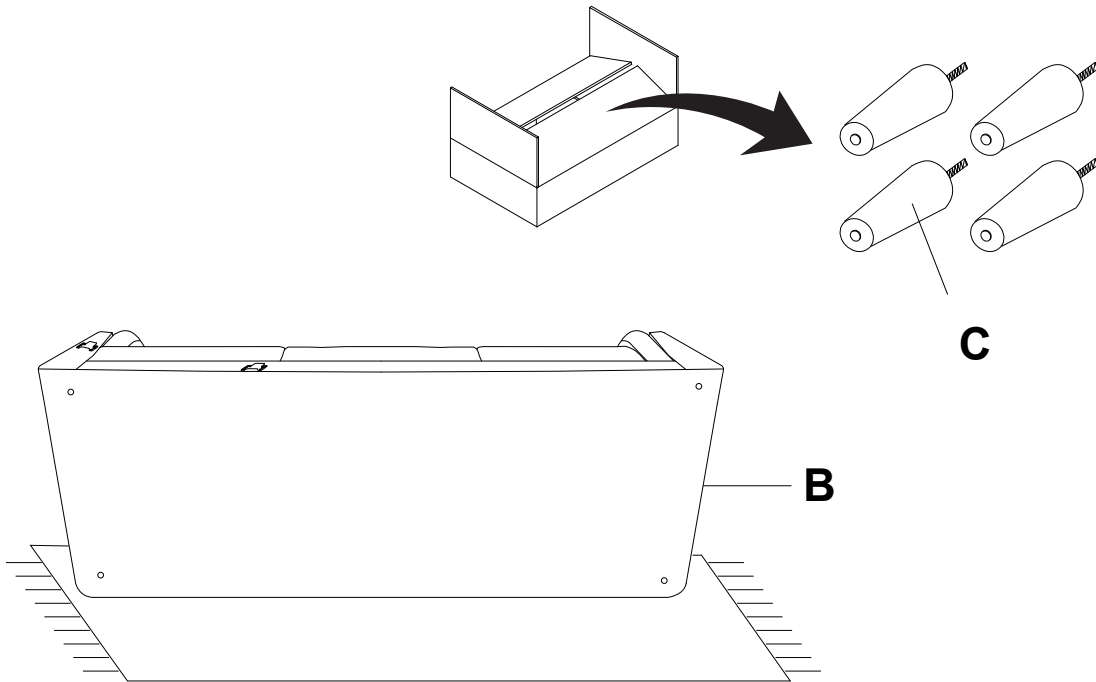
**2**

Tighten each Leg (C) in a clockwise direction.

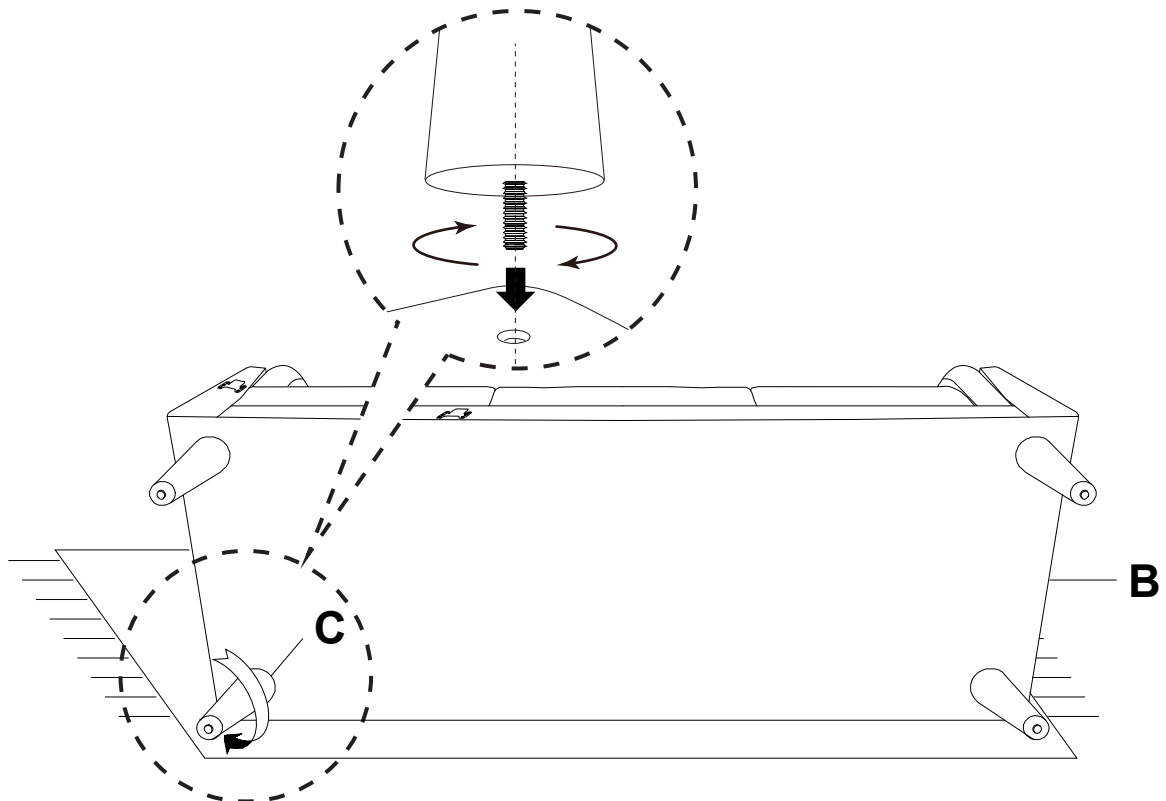


**3**

Upside down the Right Arm Sofa Corner (B) on a carpeted or padded area. Take out 4pcs Leg (C) from the foot box.

**4**

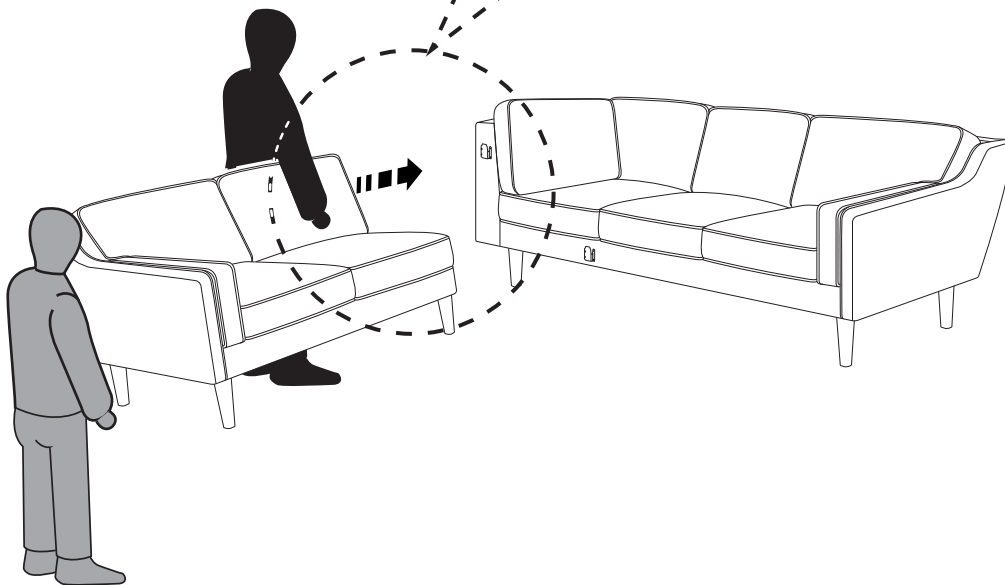
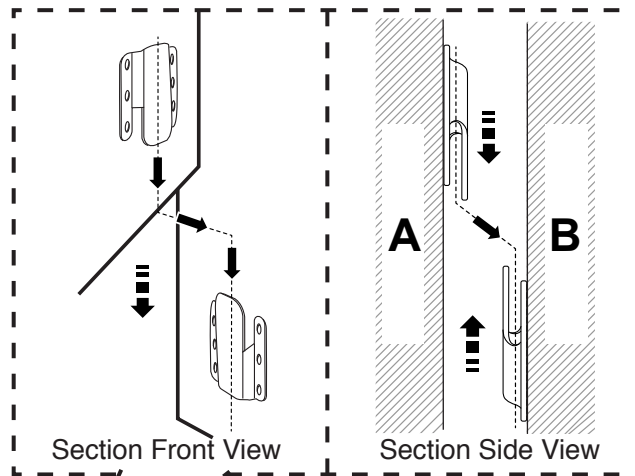
Tighten each Leg (C) in a clockwise direction.



**5**

Two people are required to move left arm loveseat to connect with right arm sofa corner.

### Connect



### Cleaning & Care

Treat surface with care. Clean surfaces with a dry or damp soft cloth. Do not use abrasive cleaners. Hardware may loosen over time. Periodically check that all connections are tight.