

ASSEMBLY INSTRUCTIONS



PUSH BACK RECLINER

ASSEMBLY INSTRUCTIONS

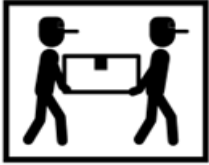
ASSEMBLY TIPS:

- 1.Remove hardware from box and sort by size.
- 2.Please check to see that all hardware and parts are present prior to start of assembly.
- 3.Please follow attached instruction in the same sequence as numbered to assure fast & easy assembly.



WARNING!

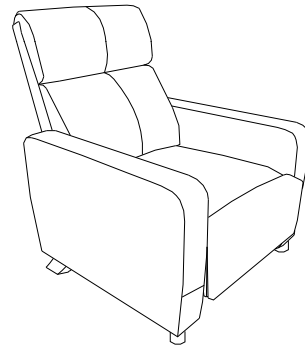
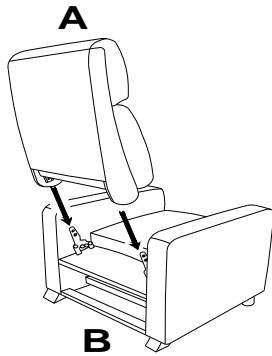
- 1.Don't attempt to repair or modify parts that are broken or defective. Please contact the store immediately.
- 2.This product is for home use only and not intended for commercial establishment.



ASSEMBLY TIME

5 MINUTES

PARTS IDENTIFICATION



A BACK CUSHION



1PC

B BASE



1PC

C FRONT LEG



2PCS

D REAR LEG





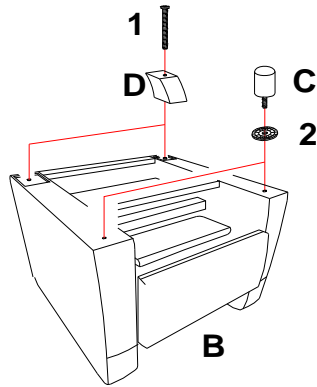
2PCS

Z		HARDWARE PACKAGE		
NO	DESCRIPTION	FIGURE	QTY	
1	BOLT 5/16" * 2.5"		2PCS	
2	PLASTIC GASKET 5/16" * 49mm		2PCS	

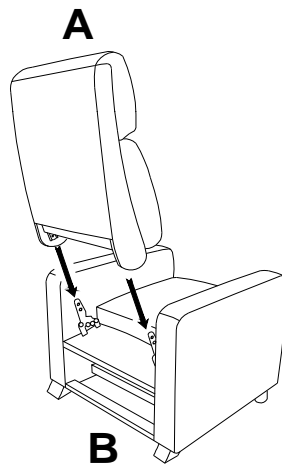
ASSEMBLY INSTRUCTIONS

STEP 1

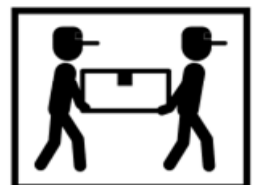
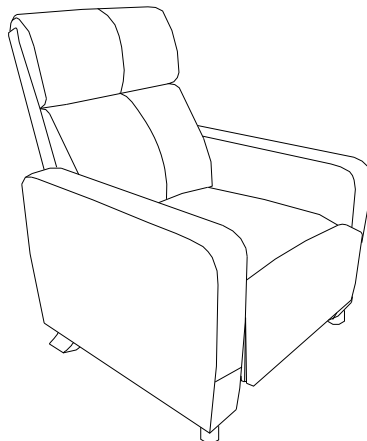
1		X 2	2		X 2
---	-----------------------------------------------------------------------------------	-----	---	-----------------------------------------------------------------------------------	-----

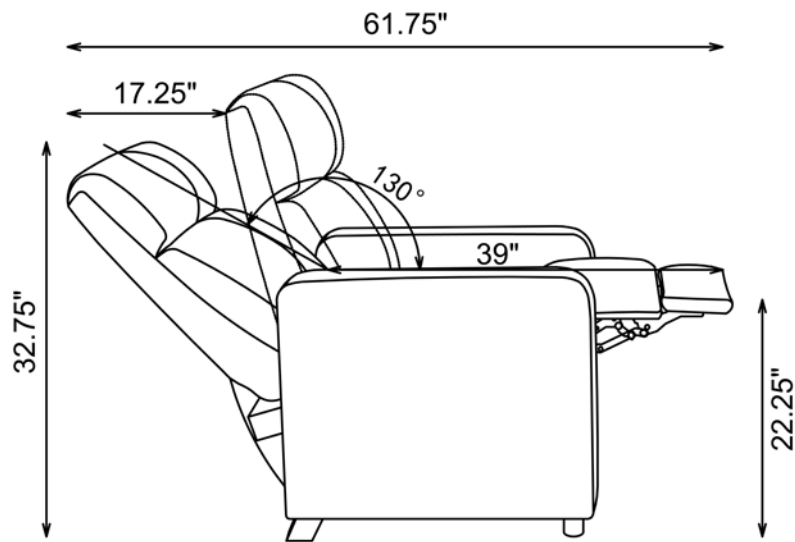
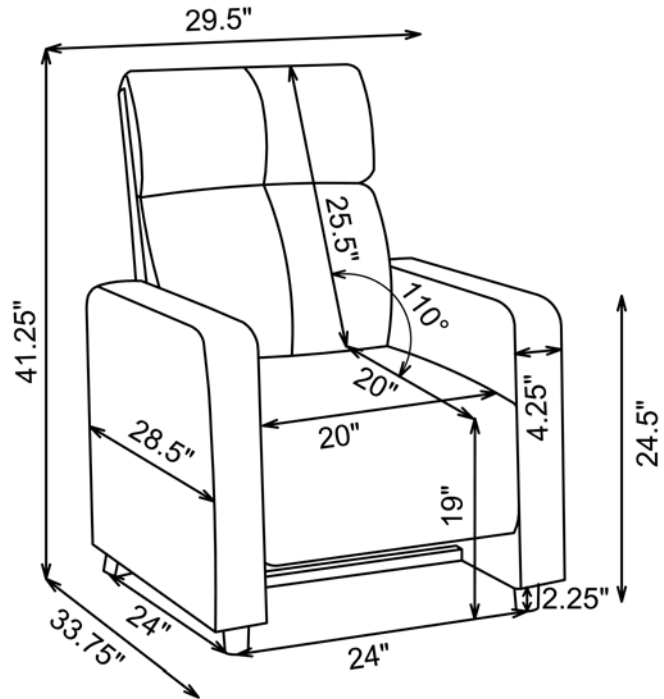


STEP 2

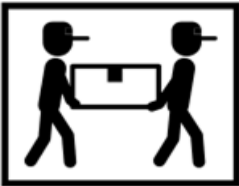


STEP 3





Note: Dimension tolerance $\pm 5\%$



ASSEMBLY INSTRUCTIONS



CONSOLE

ASSEMBLY INSTRUCTIONS

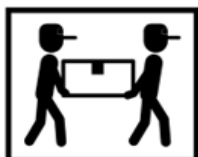
ASSEMBLY TIPS:

- 1.Remove hardware from box and sort by size.
- 2.Please check to see that all hardware and parts are present prior to start of assembly.
- 3.Please follow attached instruction in the same sequence as numbered to assure fast & easy assembly.



WARNING!

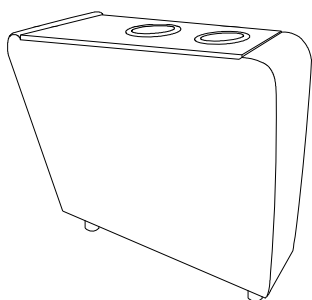
- 1.Don't attempt to repair or modify parts that are broken or defective. Please contact the store immediately.
- 2.This product is for home use only and not intended for commercial establishment.



ASSEMBLY TIME

5 MINUTES

PARTS IDENTIFICATION



A CONSOLE



1PC

B LEG



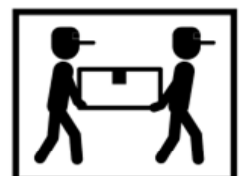
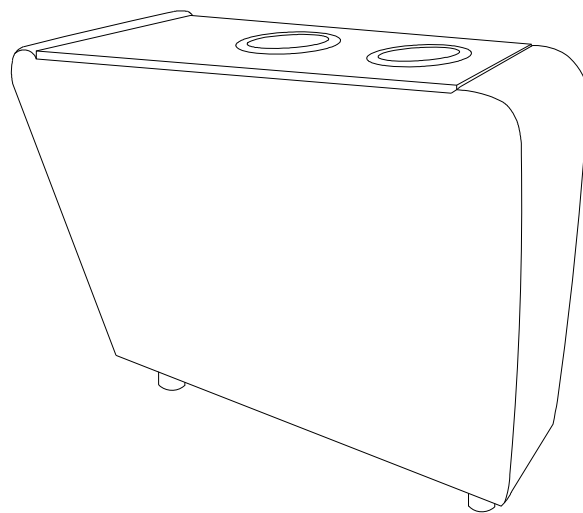
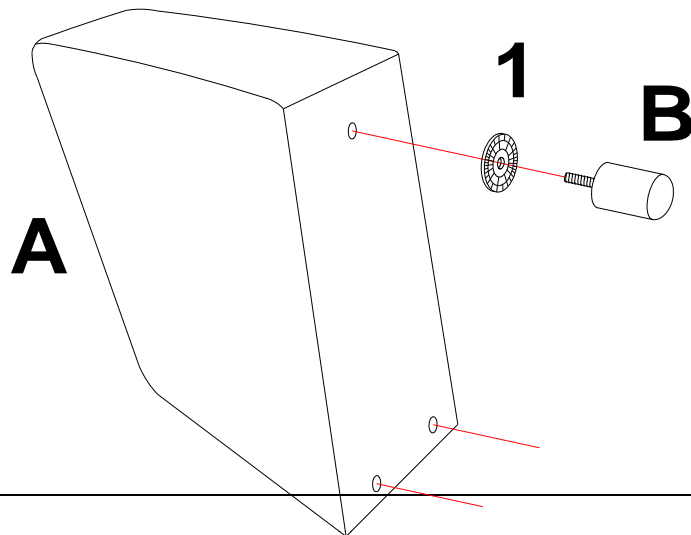
3PCS

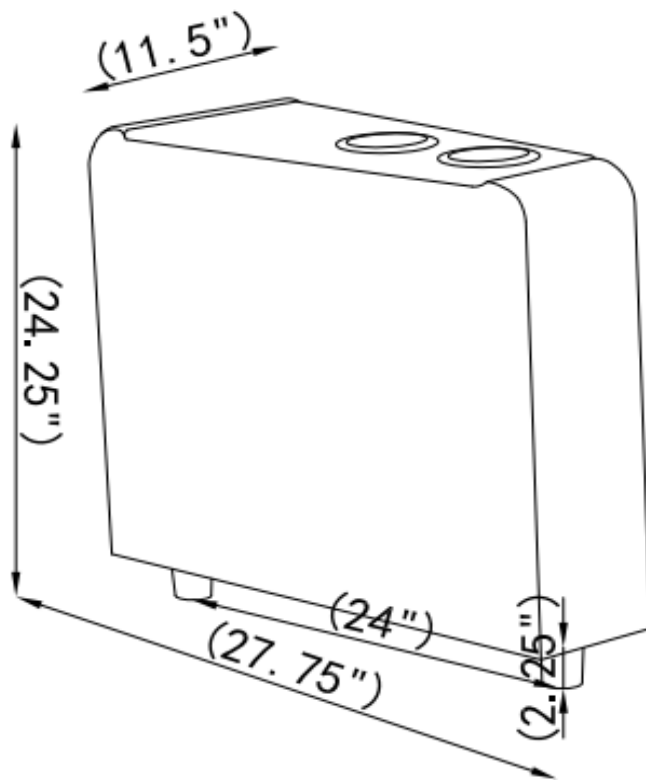
Z HARDWARE PACKAGE			
NO	DESCRIPTION	FIGURE	QTY
1	PLASTIC GASKET 5/16" * 49mm		3PCS

ASSEMBLY INSTRUCTIONS

STEP 1

1		X 3
---	-----------------------------------------------------------------------------------	-----





Note: Dimension tolerance $\pm 5\%$

