

626-679-3588
service@getprohome.com
www.getprohome.com
162 Atlantic St, Pomona, CA 91768

INSTALLATION VIDEO

INSTALLATION MANUAL

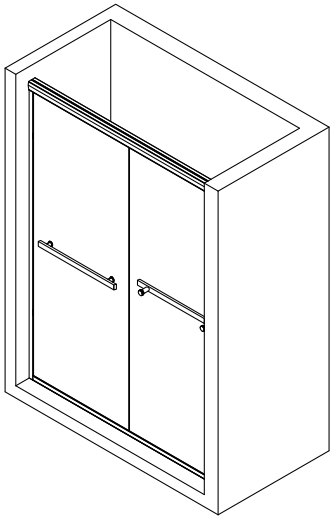
SHOWER DOOR

NAK

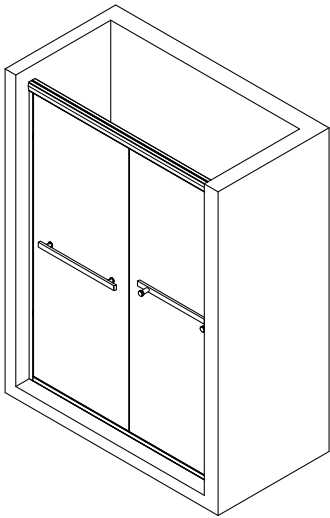


AVAILABLE SIZES

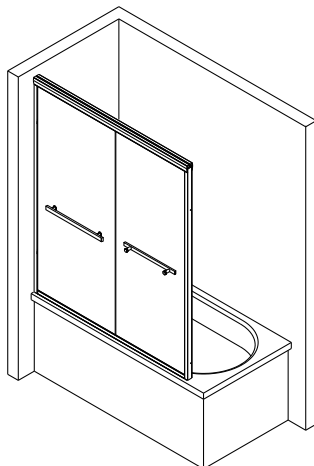
Color Options: Brushed Nickel / Matte Black
Brushed Gold / Chrome



60" W x 75" H



72" W x 75" H



60" W x 62" H

THANK YOU!

Dear Valued Customer,

Thanks to your kind support of BESTGO, we hope our product can improve the quality of your life.

As our valued customer, your comments and opinions are very important to us. If you have any concerns, questions, or comments, we hope that you will bring them to our attention.

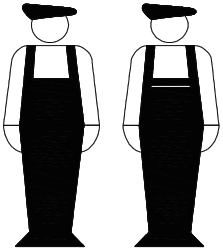
Please keep the carton and packaging materials until your product is completely installed.

Feel free to contact us if you encounter any problems such as missing parts, or product defects during the installation process. We are happy to provide you with the most sincere service.

*Sincerely,
BESTGO Service Team*

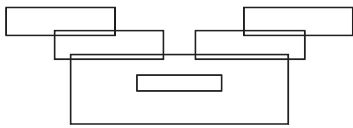


Please read all instructions carefully before installation.

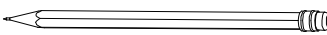


Due to the complexity of the installation process, professional plumbers are recommended.

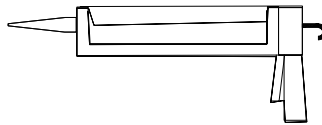
Required Tools



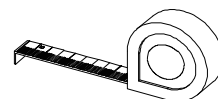
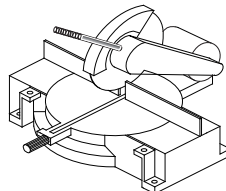
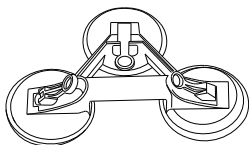
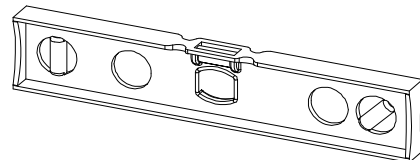
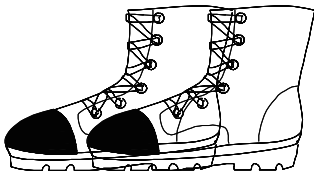
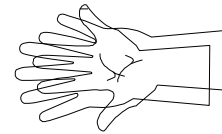
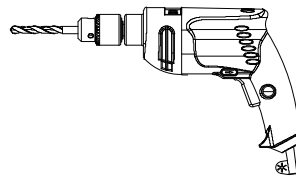
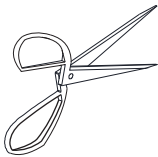
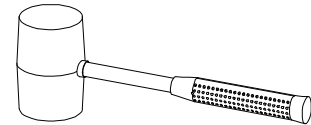
∅ 1/8"

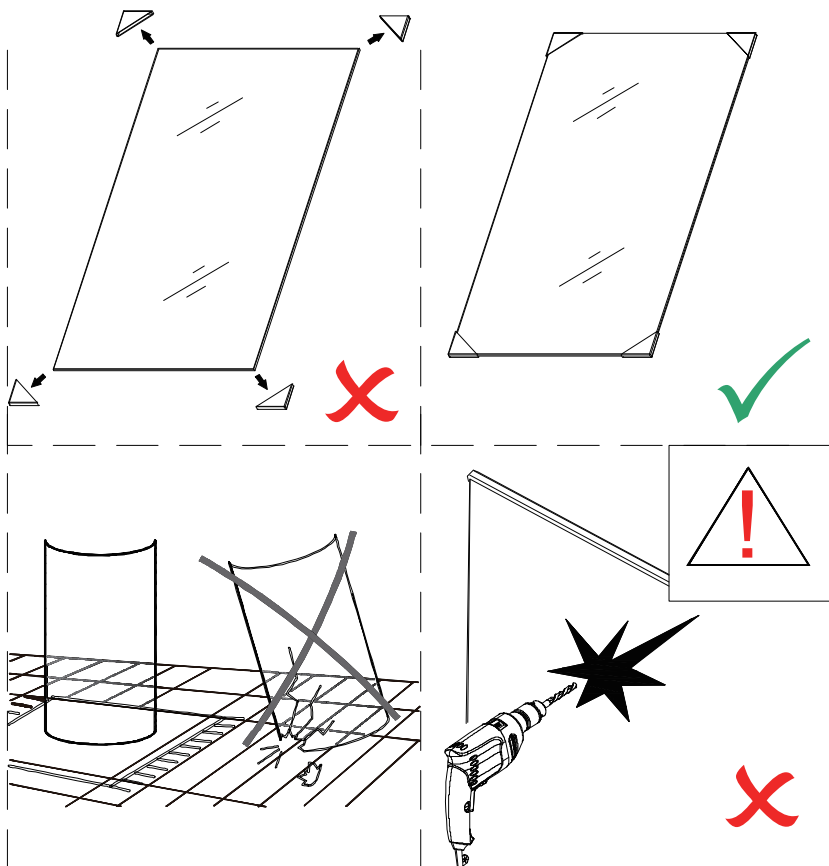
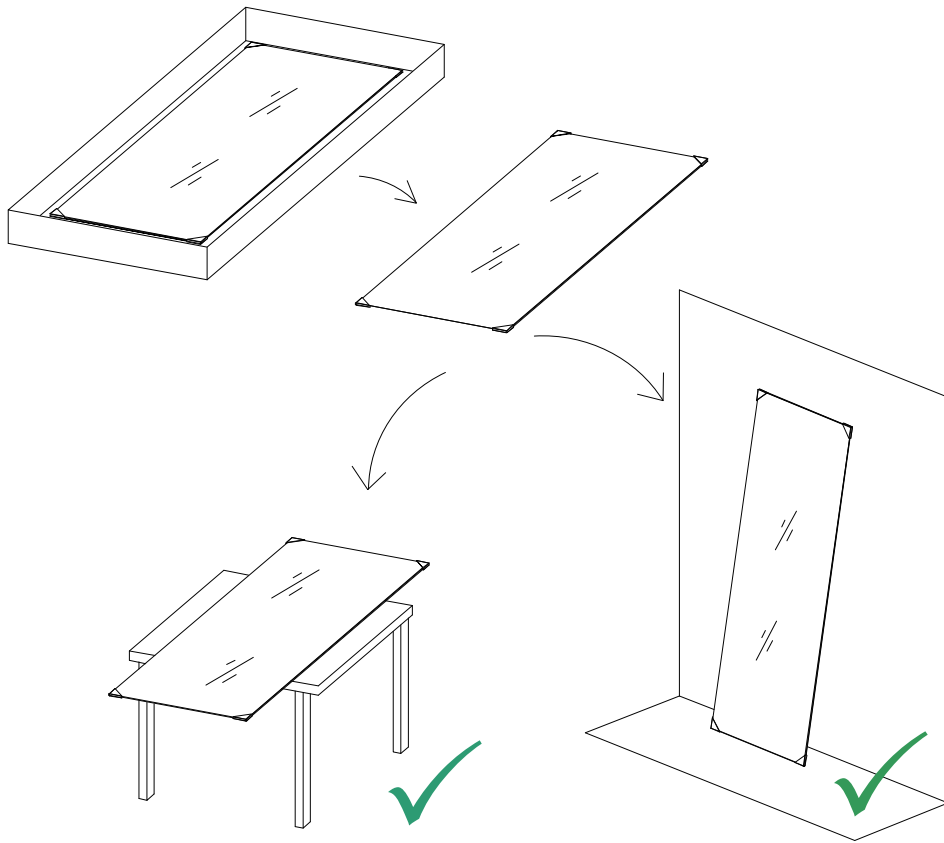


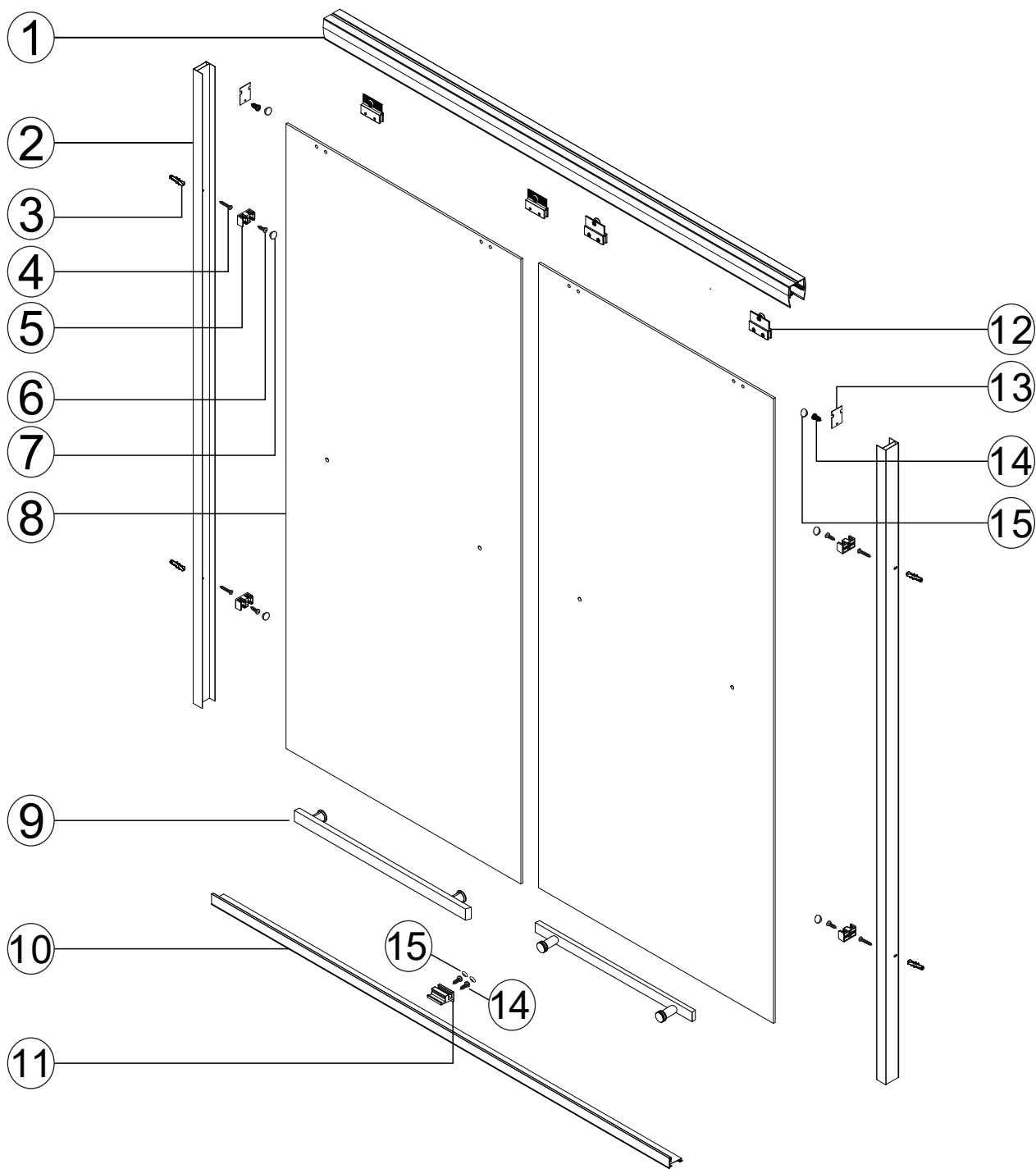
∅ 1/4"



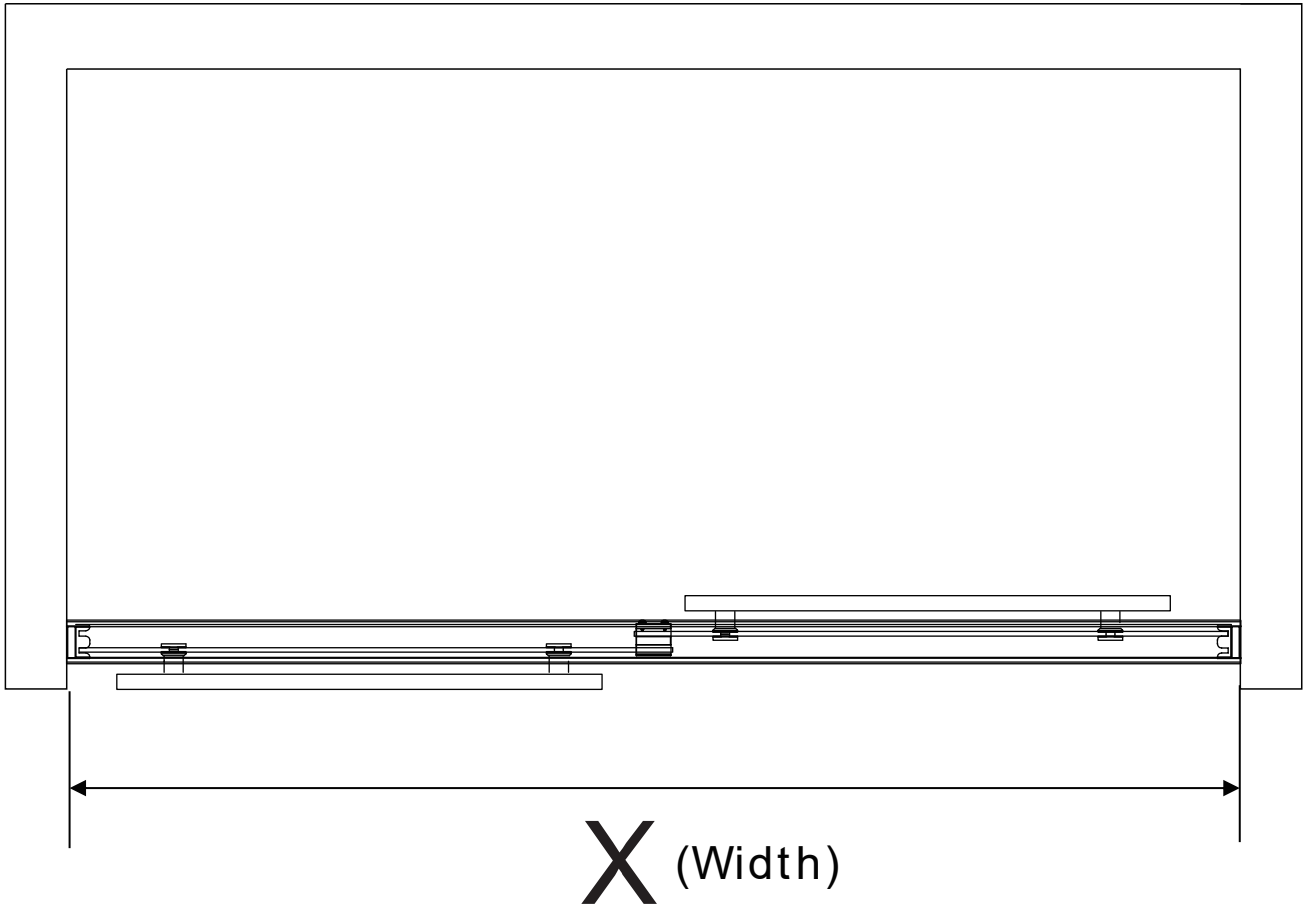
∅ 5/16"





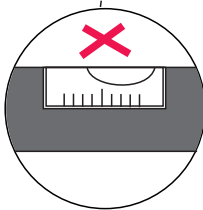
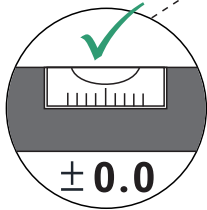
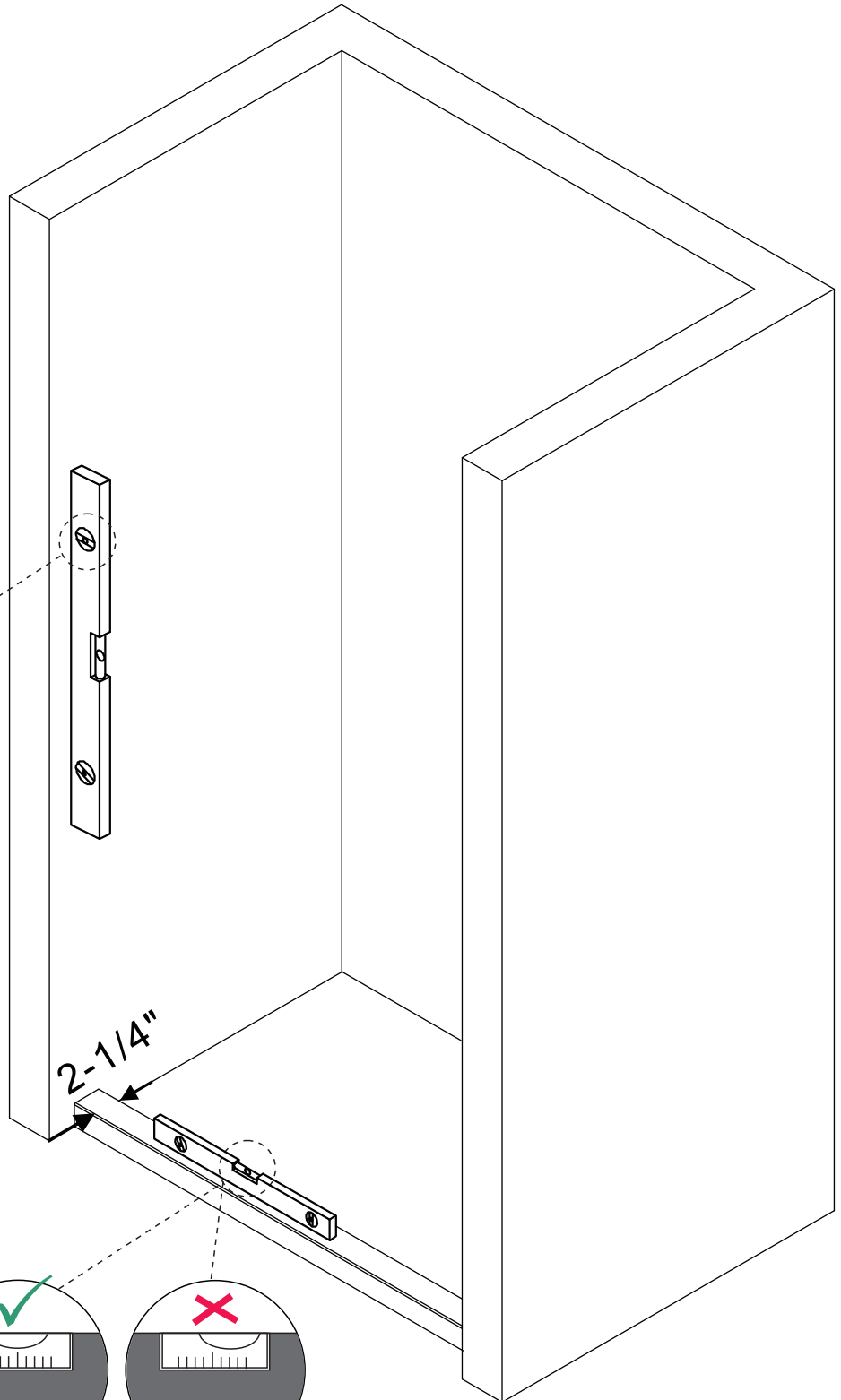
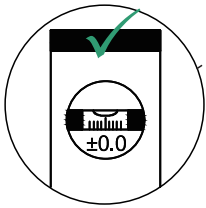


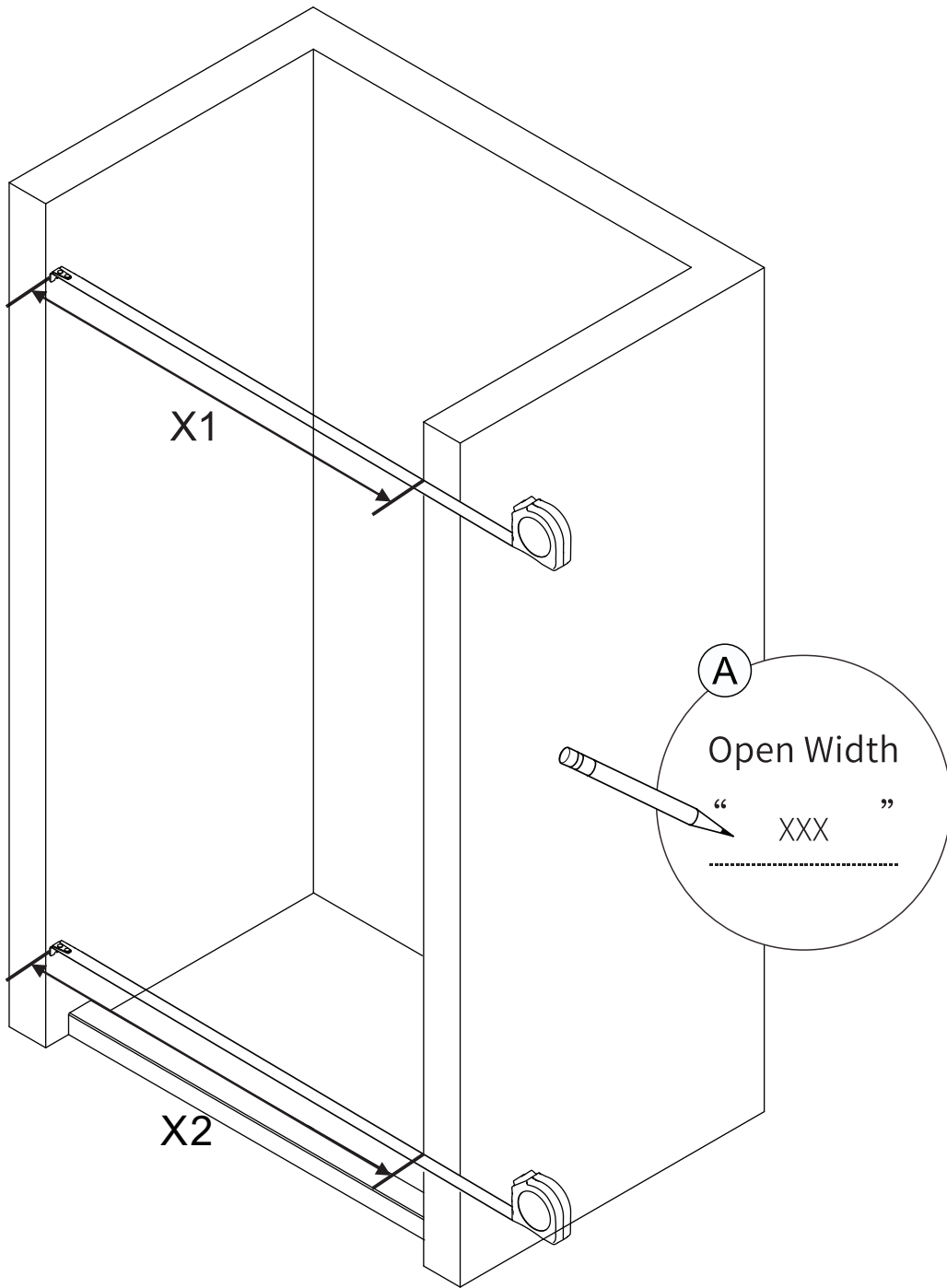
NO.	Picture	Qty	NO.	Picture	Qty	NO.	Picture	Qty	NO.	Picture	Qty	NO.	Picture	Qty
①		1	②		1	③		4	④	 ø 3/16" D x 1-9/16" L	4	⑤		4
⑥	 ø 3/16" D x 5/8" L	5	⑦		4	⑧		2	⑨		2	⑩		1
⑪		1	⑫		4	⑬		2	⑭	 ø 3/16" D x 5/16" L	5	⑮		4



		X (Width)	
	height	Min.	Max.
60"w x 62"	62 "	57"	60"
60"w x 75"	75 "	57"	60"
72"w x 75"	75 "	69"	72"

Installation wall
must be plumb





If the width of the upper and lower walls is inconsistent, please trim the wall

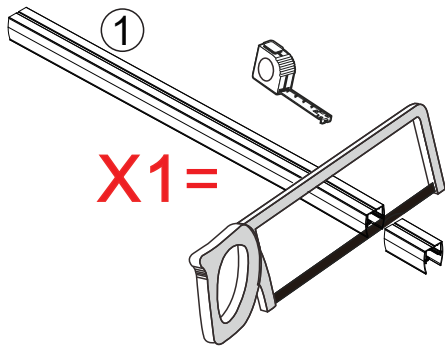
$$X1=X2$$

Step 1



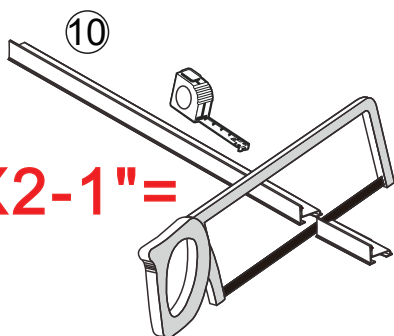
Measure the Width of X1 and X2 Carefully Before Trim the Frames

TOP RAIL

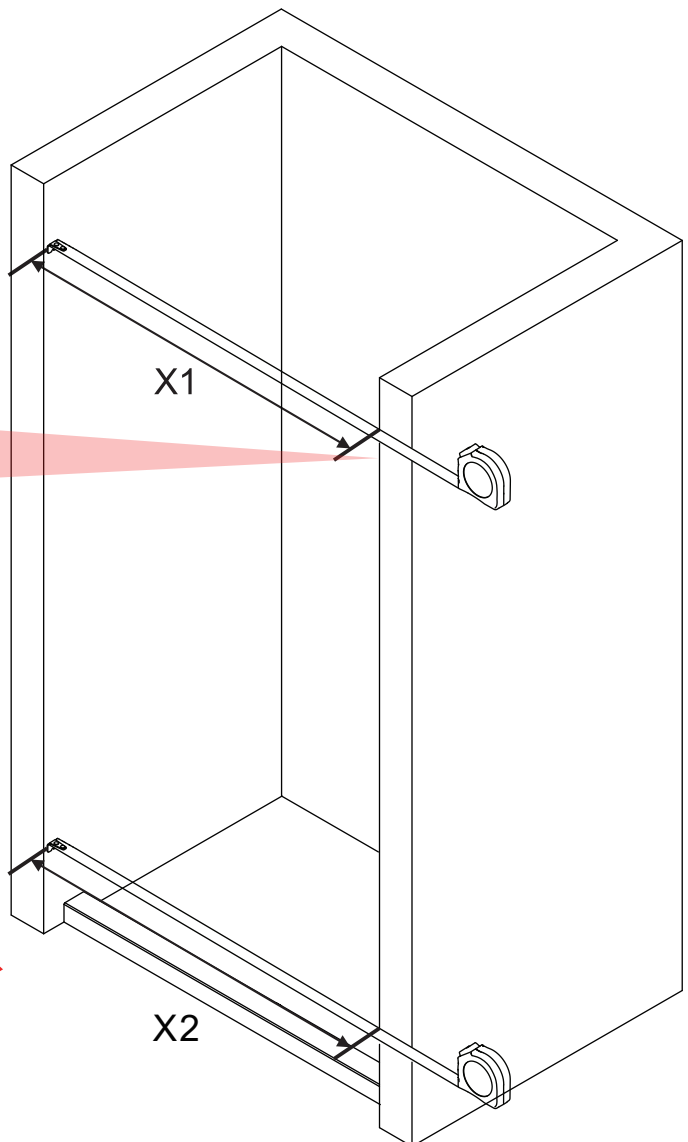


X1=

BOTTOM THRESHOLD

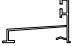


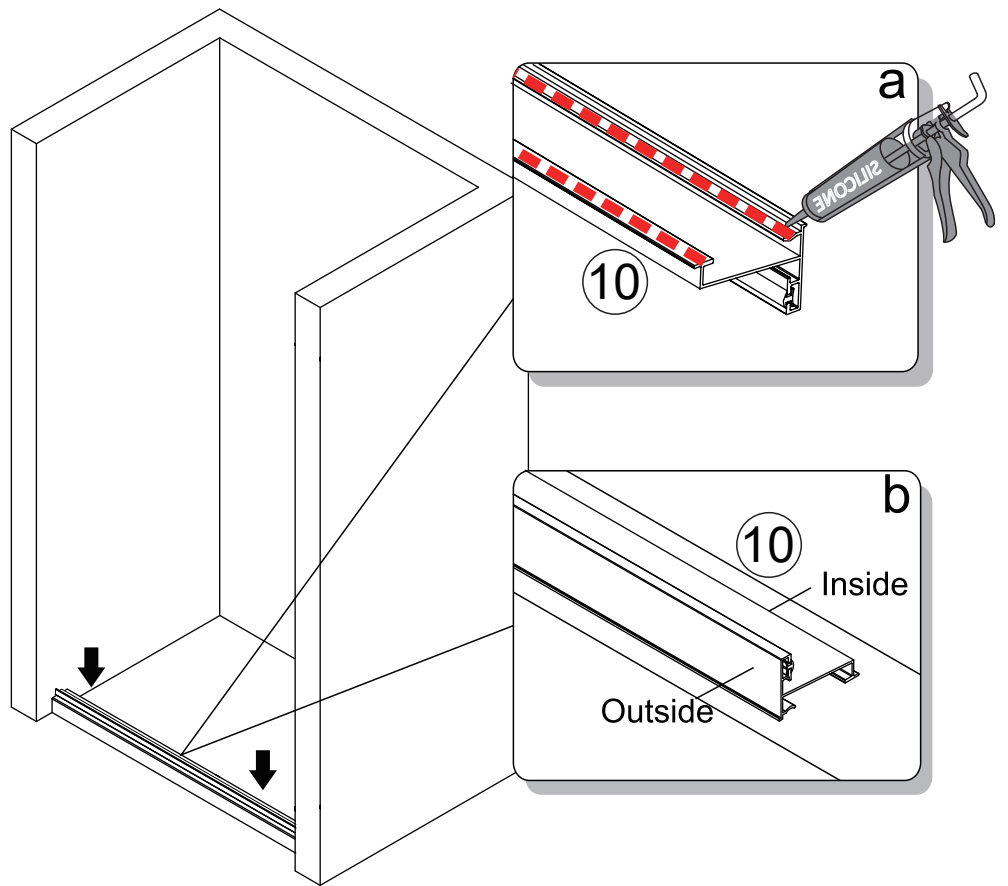
X2-1"=




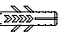
Threshold Width=X2-1inch

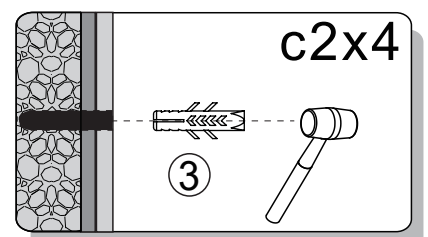
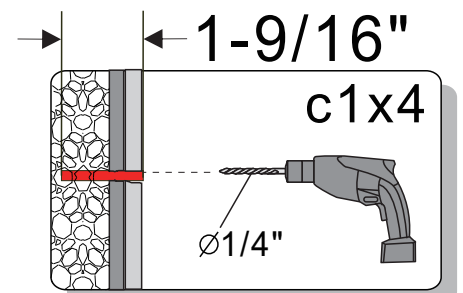
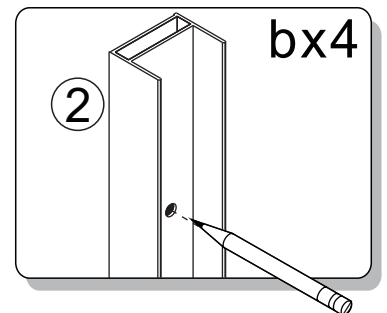
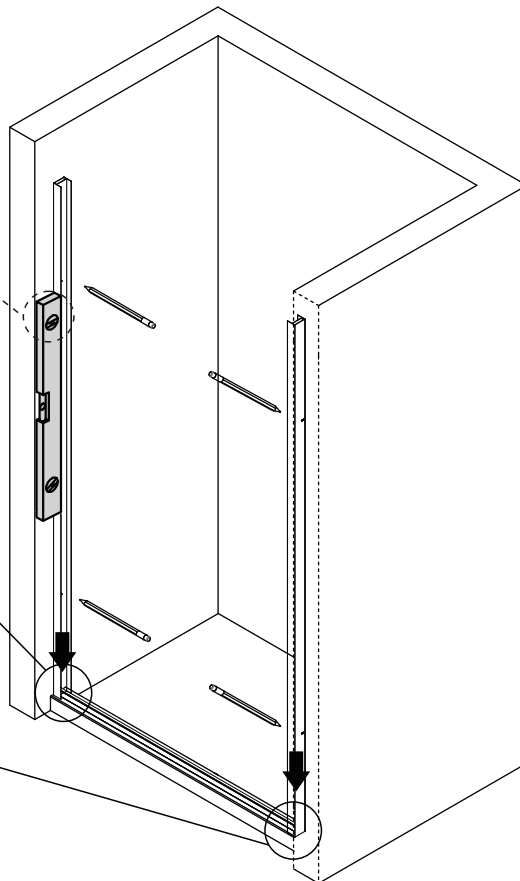
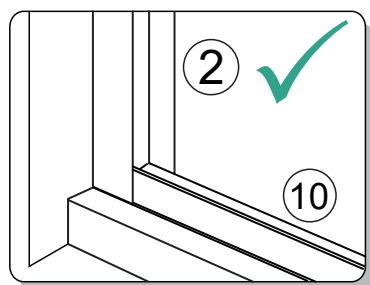
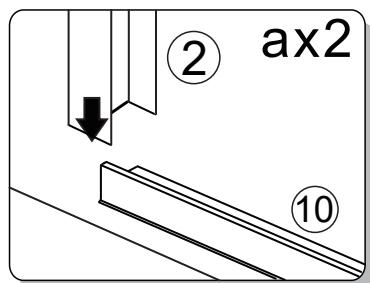
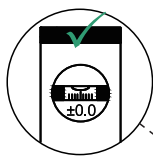
Step 2

NO.	Picture	Qty
⑩		1



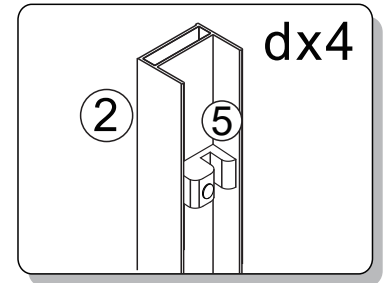
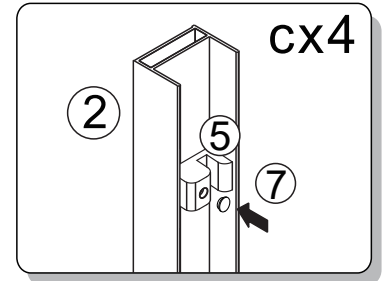
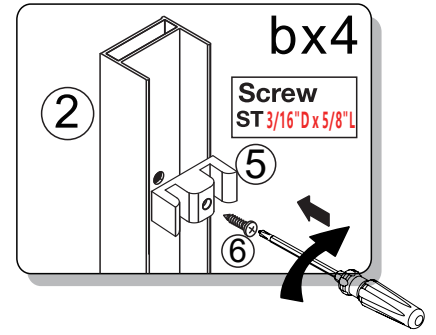
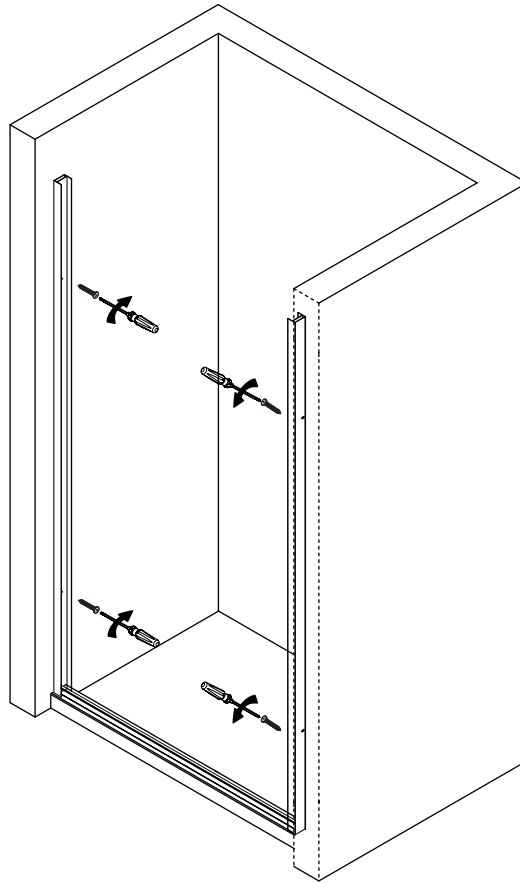
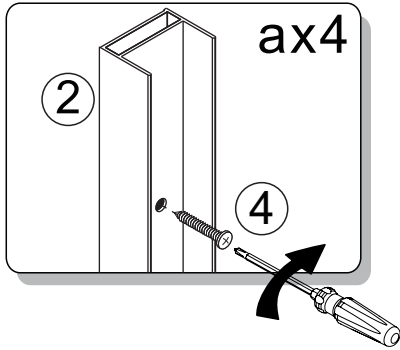
Step 3

NO.	Picture	Qty
②		2
③		4




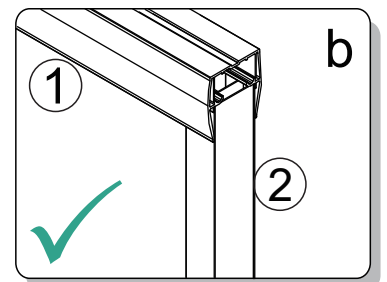
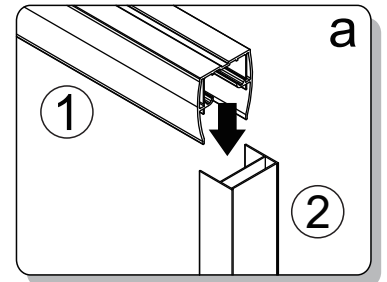
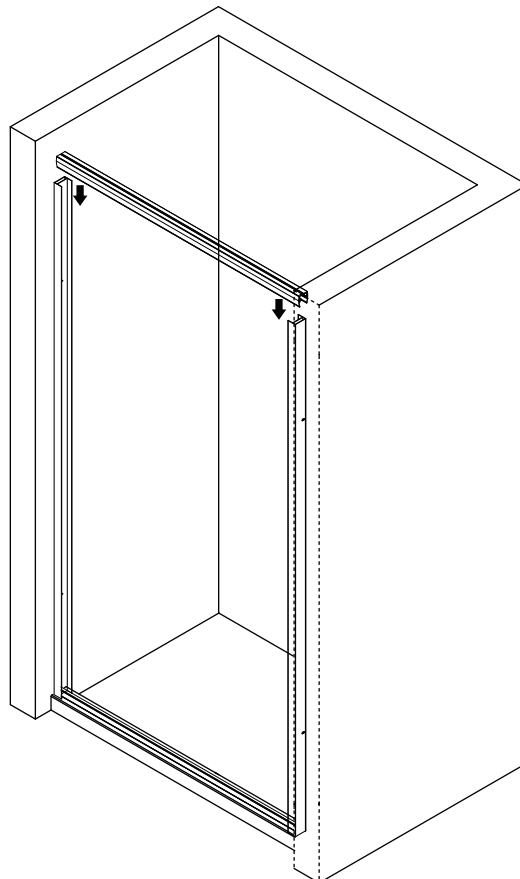
Step 4

NO.	Picture	Qty
④	 $\varnothing 3/16''D \times 9/16''L$	4
⑤		4
⑥	 $\varnothing 3/16''D \times 85''L$	4
⑦		4



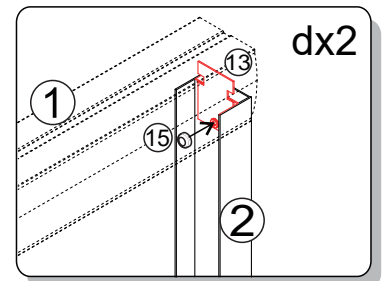
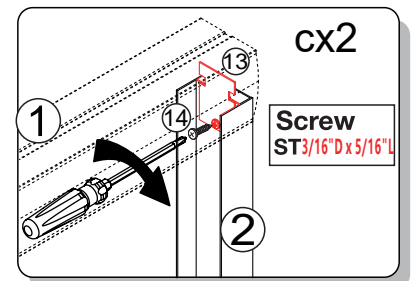
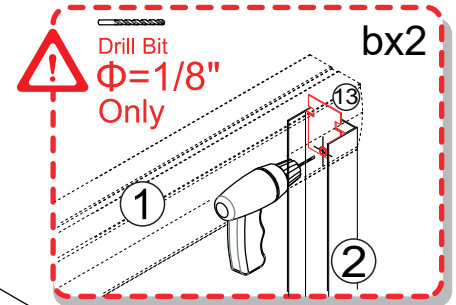
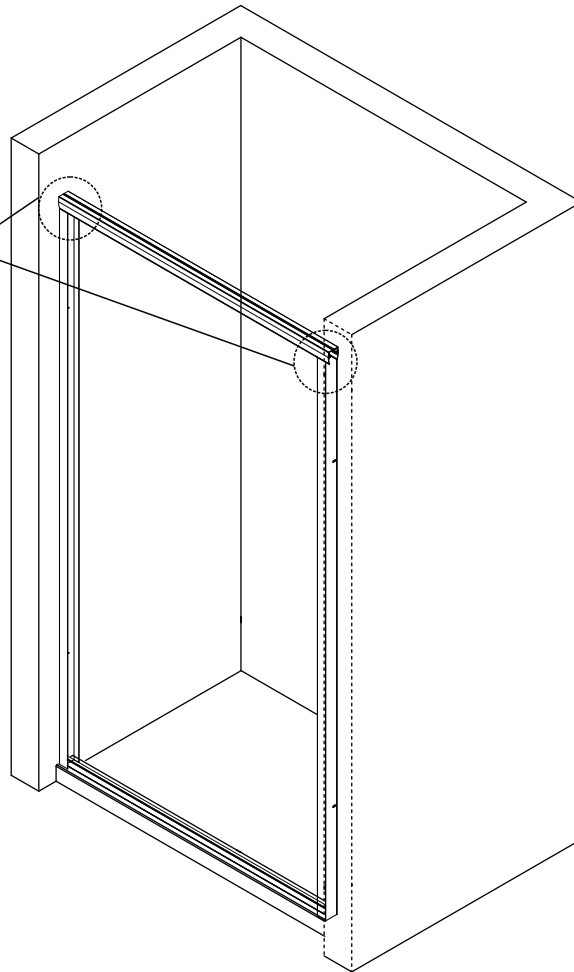
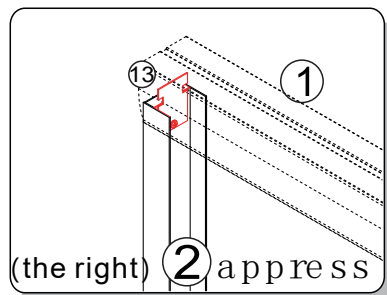
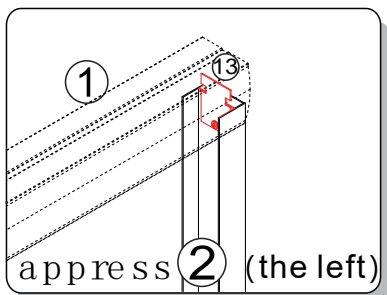
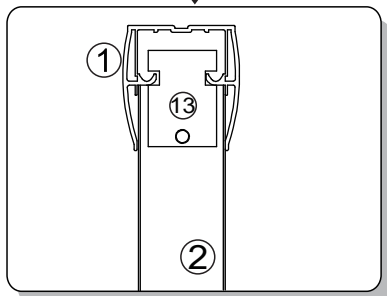
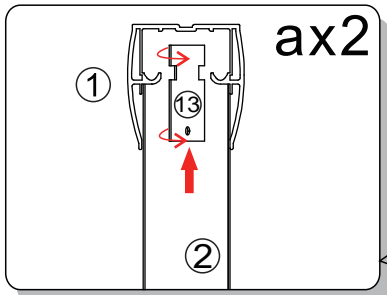
Step 5

NO.	Picture	Qty
①		1

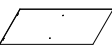



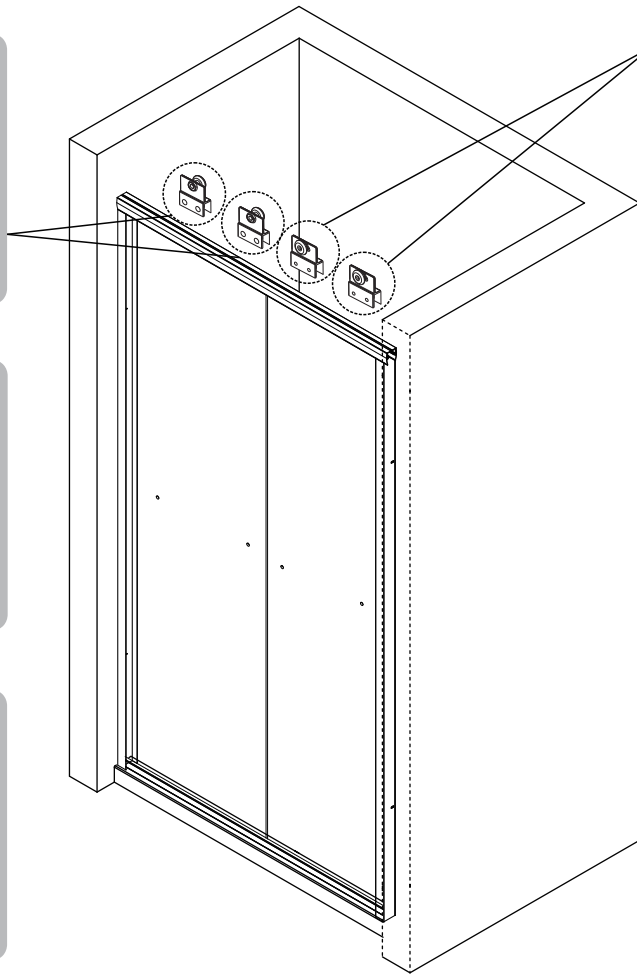
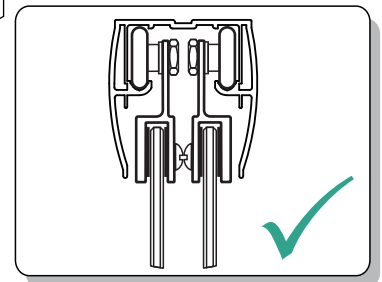
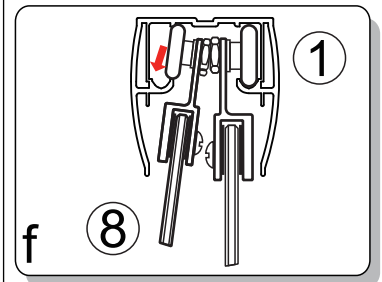
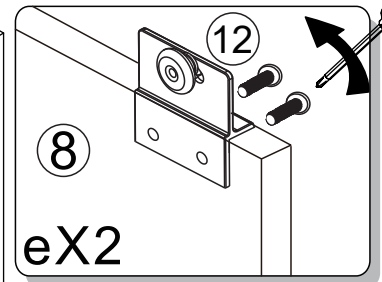
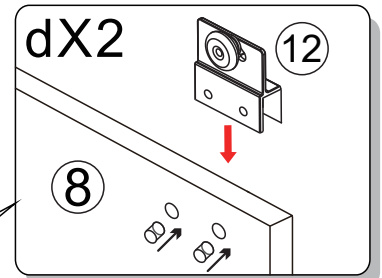
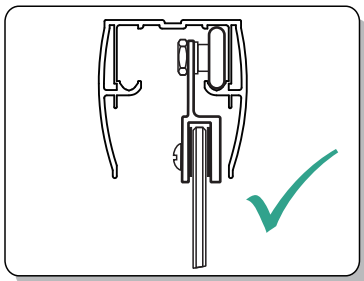
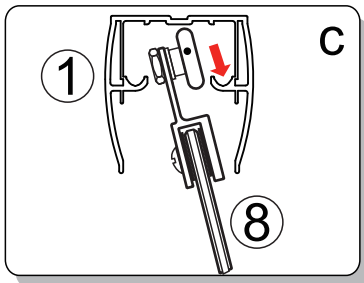
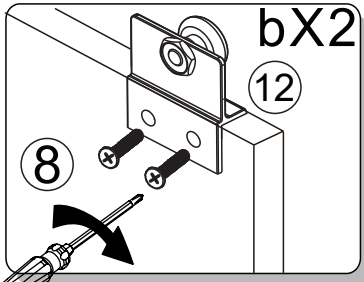
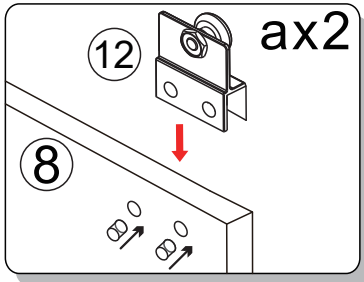
Step 6

NO.	Picture	Qty
13		2
14	$\phi 3/16'' \text{D} \times 1/16'' \text{L}$	2
15		2



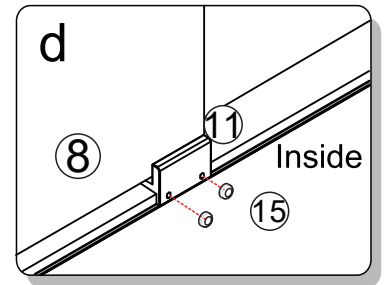
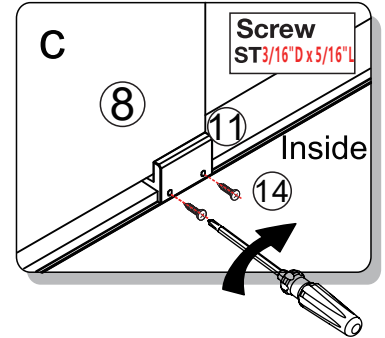
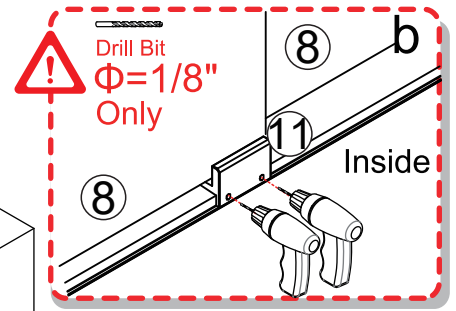
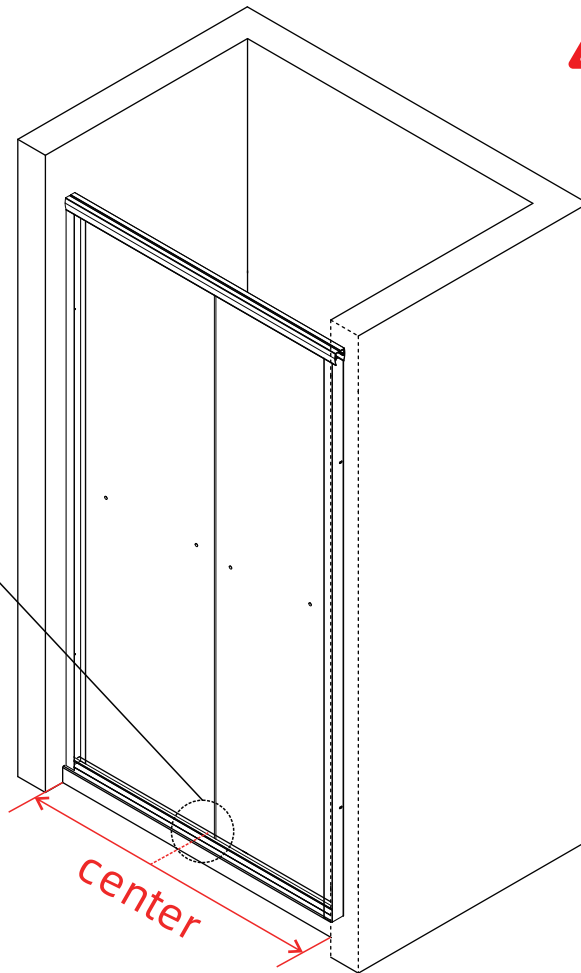
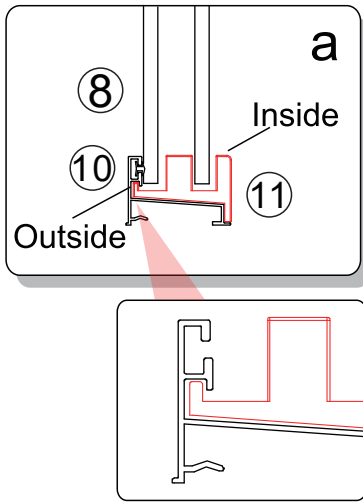
Step 7

NO.	Picture	Qty
8		2
12		4



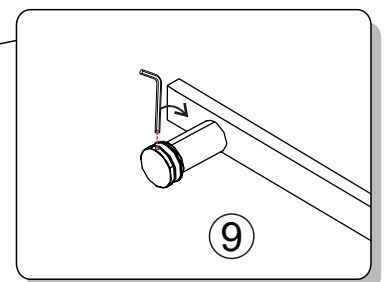
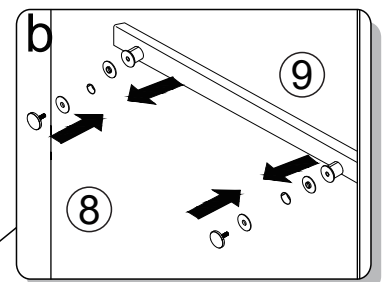
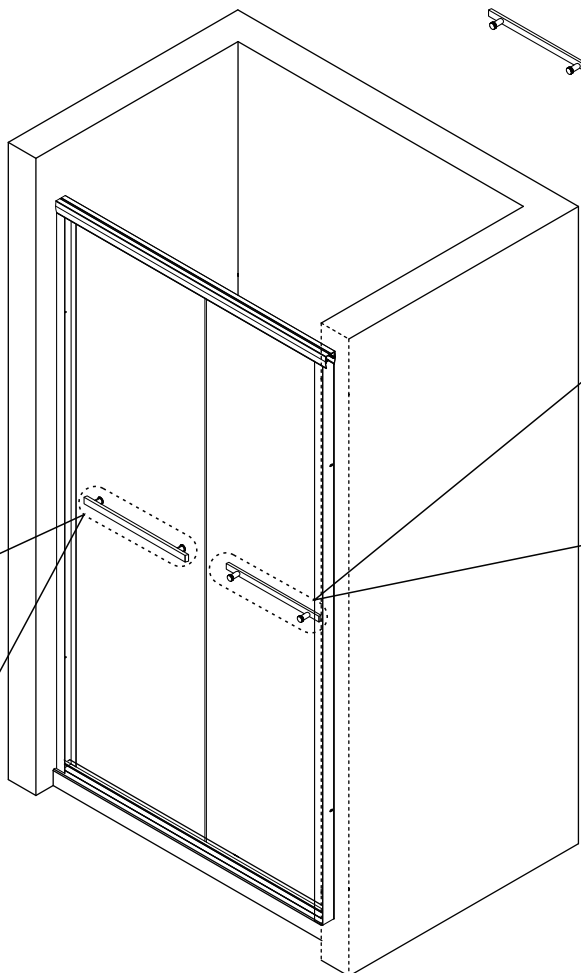
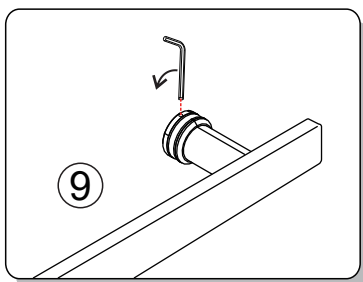
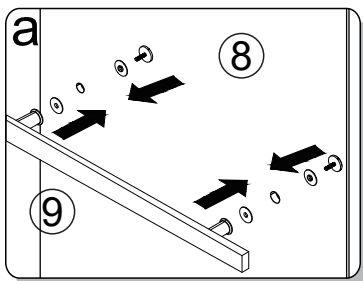
Step 8

NO.	Picture	Qty
11		1
14	$\phi 3/16" \times 5/16" L$	2
15		2

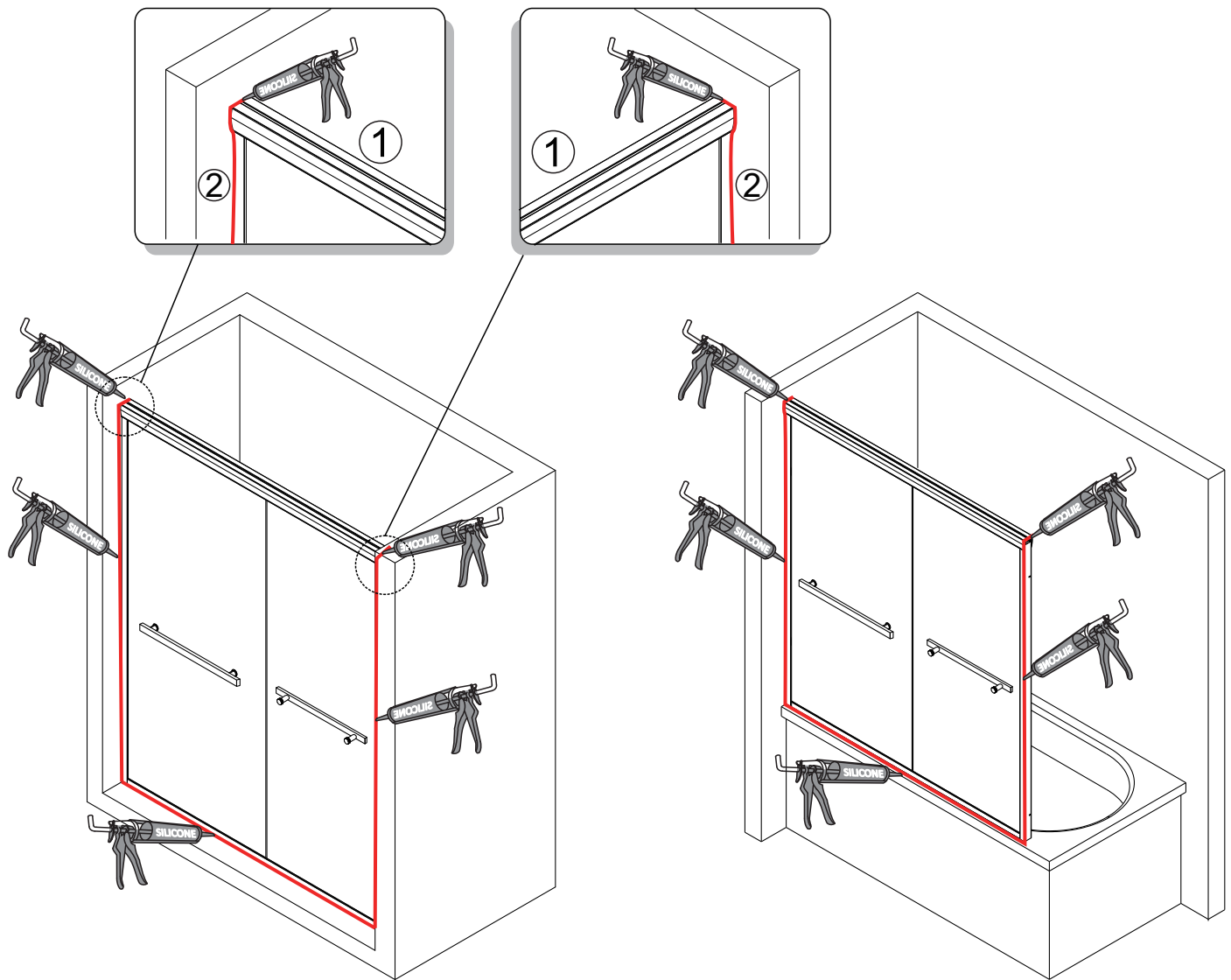


Step 9

NO.	Picture	Qty
9		2



Step 10



Do not use the shower enclosure for at least 24 hours in order to allow the silicone sealant to cure fully.

CARE & MAINTENANCE



The golden rules for care

NOTE: Use warm soapy water and a soft damp cloth to keep the glass clean. Wipe dry with a clean cloth. Glass cleaner can be used if required. Scourers, abrasives and chemical cleaners can damage the glass and pattern, and should not be used.

In hard water areas, insoluble lime salts may be deposited on the glass. If this is allowed to build up it becomes increasingly difficult to remove and looks unsightly. Regular cleaning will minimize this effect.

- Do not attempt to cut the glass.
 - Do not strike the glass with hard or pointed items.
 - Regularly check moving parts such as rollers and hinges to ensure they are secure and adjusted correctly. Tighten and adjust where required. Also check all sealed joints to ensure seal has not deteriorated. Re-seal if required.
-

HOME SERVICES



INSTALLATION VIDEO

Missing Part or Defective?

Please Contact the Customer Service Team

✉ service@getprohome.com

☎ 626 679 3588