

# 9521,9522,9523,9524 INSTALLATION INSTRUCTIONS

Please read carefully and save these instructions as you may need them a later date.

## CAUTION

Turn off the main power at the circuit breaker before installing the fixture in order to prevent possible shock.

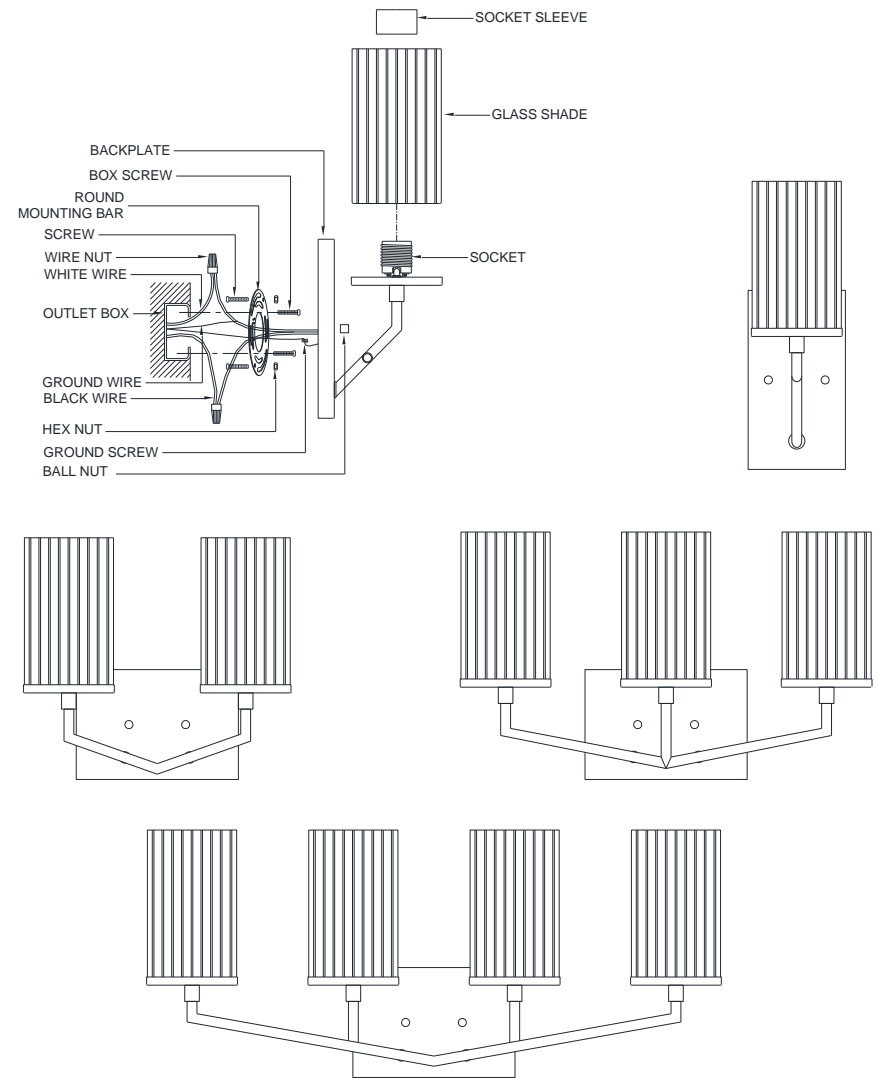
## GENERAL

All electrical connections must be in accordance with local and National Electrical Code (N. E. C) standards. If you are unfamiliar with proper electrical wiring connections obtain the services of a qualified electrician.

Remove the fixture and the mounting package from the box and make sure that no parts are missing by referencing the illustration.

## ASSEMBLY AND INSTALLATION

1. Secure the Round mounting bar to the outlet box with the box screws.
2. Pull out the wires and ground wire from the Outlet Box.  
Make wire connections with Wire nut:
  - White wire from light to White Wire from power source.
  - Black wire from light to Black Wire from power source.
  - Attach the Ground Wire to Round Mounting bar with a Green Screw.
3. Align the Back plate to the Outlet box, then secure it to the Round mounting bar with the ball nuts.
4. Place the glass shade onto the socket, then secure with socket Sleeve.
5. Install bulbs: (bulbs not included)  
(Don't exceed the maximum capacity recommended on the Sockets).



INSTALLATION IS NOW COMPLETED