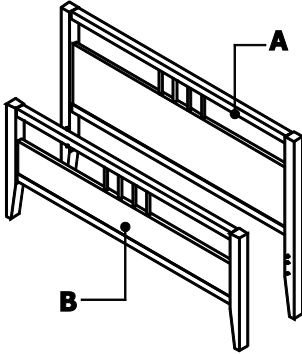


# PLATFORM C-KING BED

## ASSEMBLY INSTRUCTIONS

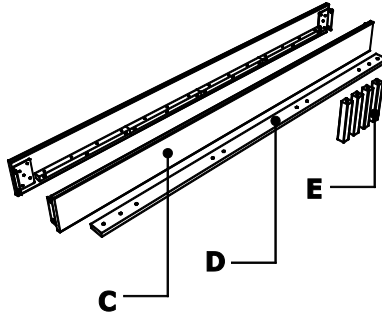
### BOX #1

- A. HEADBOARD 1 PC
- B. FOOTBOARD 1 PC



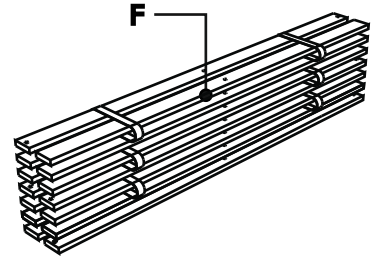
### BOX #2

- C. SIDE RAIL 2 PCS
- D. CENTER SLAT 1 PC
- E. SUPPORT LEG 4 PCS
- BED HARDWARE BOX\*

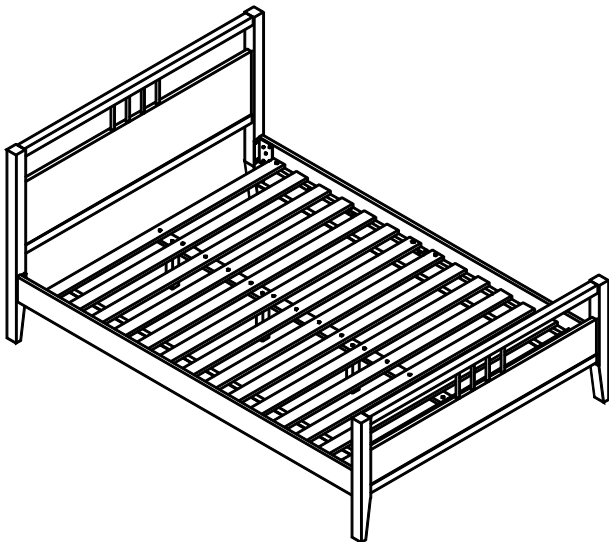


### BOX #3

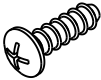


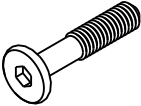

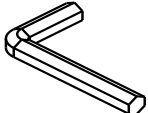
- F. SLAT ROLL 1 SET



### PLATFORM BED ASSEMBLED

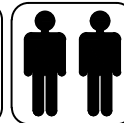


### BED HARDWARE PACKED IN BOX #2

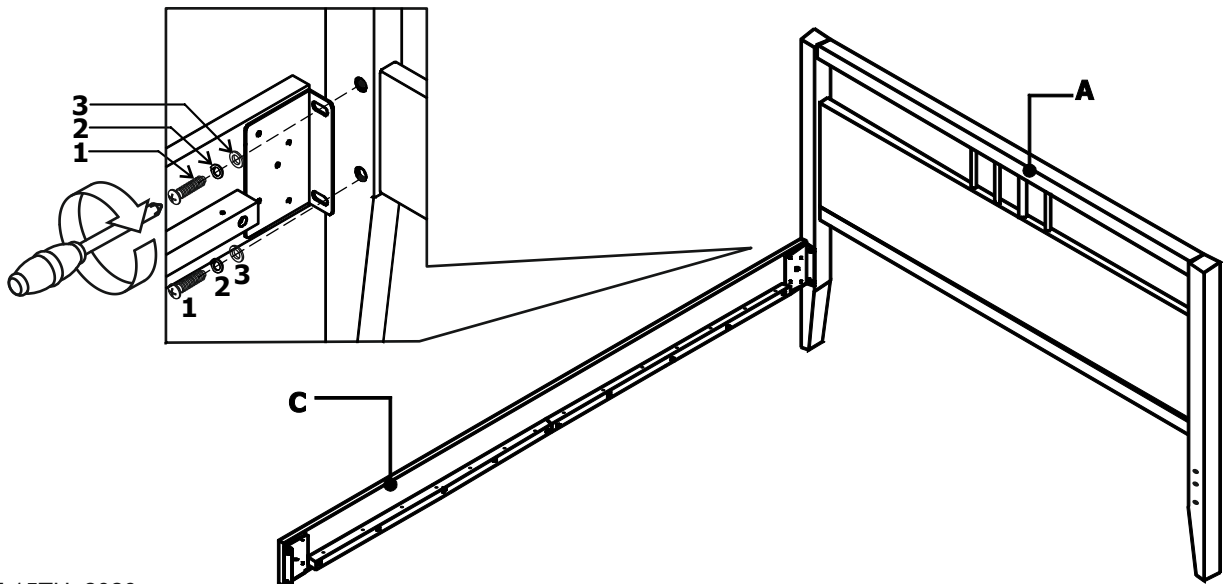
1	PHILLIPS HEAD BOLT(8x20mm)	8 PCS	2	SPRING WASHER (M8)	8 PCS	3	FLAT WASHER (M8)	8 PCS
								
4	ALLEN BOLT (6x40mm)	11 PCS	5	WOOD SCREW (8x30mm)	9 PCS	6	ALLEN KEY	1 PC
								

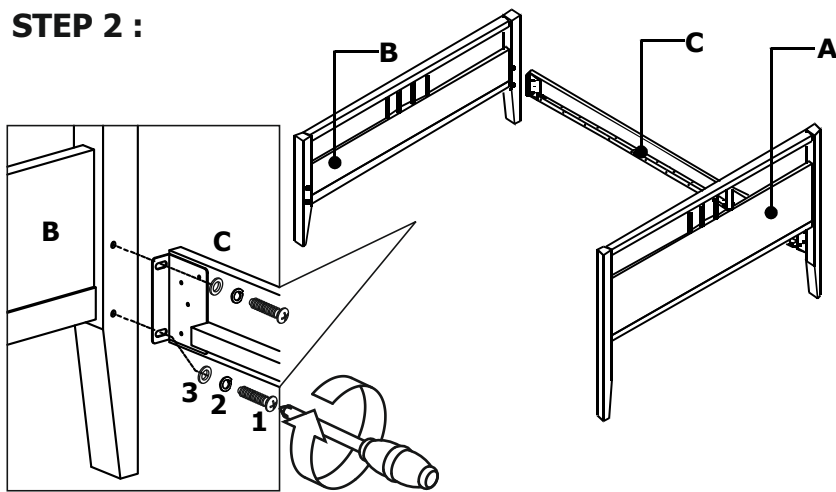
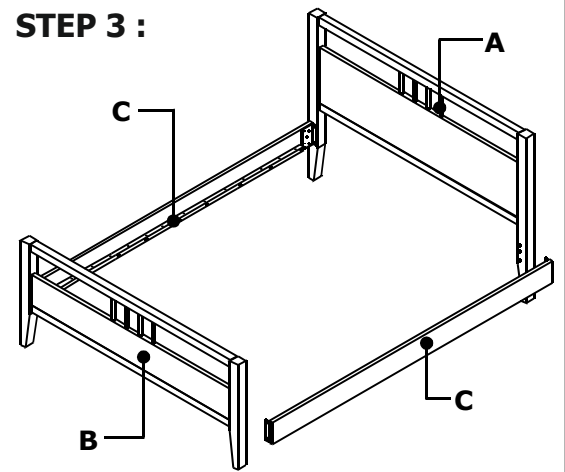
TOOL REQUIRED : PHILLIPS HEAD SCREWDRIVER (NOT PROVIDED)

**YOUR BOX  
MAY CONTAIN  
EXTRA HARDWARE**

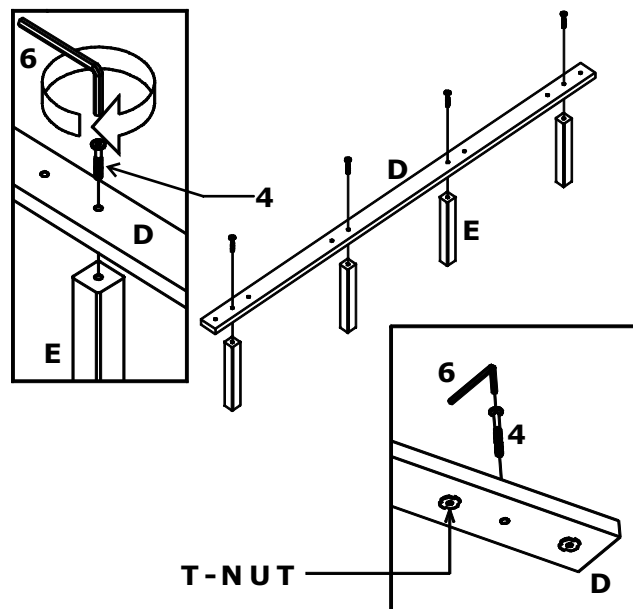
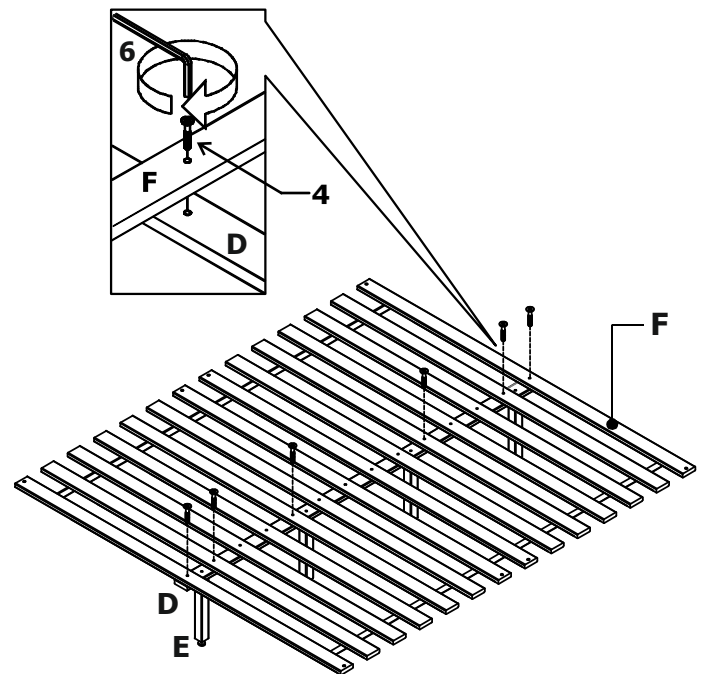
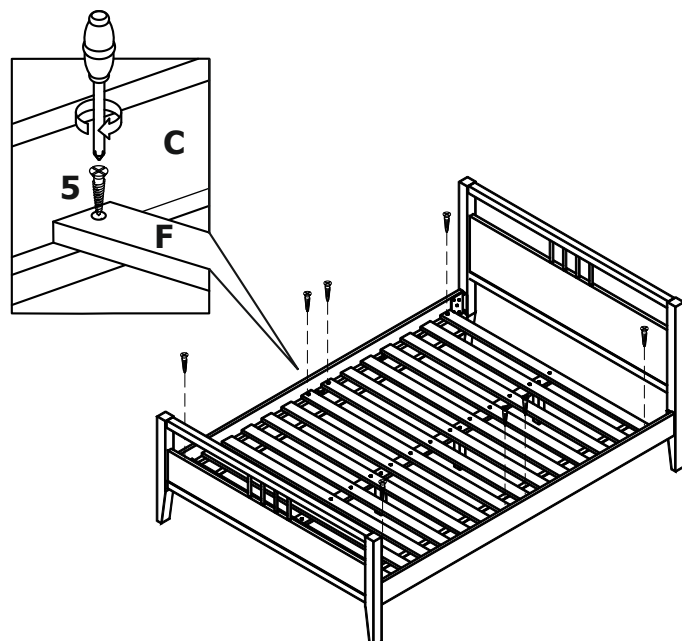


### STEP 1 :



**STEP 2 :****STEP 3 :****STOP**

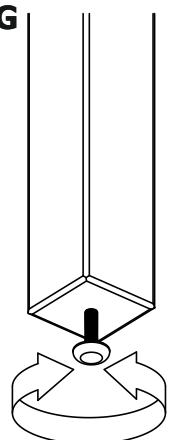
- IF USING BED FRAME WITH ADJUSTABLE MATTRESS BASE, SKIP TO APPENDIX A: ADJUSTABLE MATTRESS BASE ASSEMBLY SUPPLEMENT.
- IF USING BED FRAME WITH STANDARD BOX SPRING OR FOUNDATION CONTINUE TO STEP 4.

**STEP 4 :****STEP 5 :****STEP 6 :****INSTRUCTIONS FOR ADJUSTING LEVELERS:**

POSITION THE BED IN YOUR ROOM. LOCATE LEVELERS UNDER EACH SUPPORT LEG (E).

TURN LEVELERS COUNTER-CLOCKWISE TO EXTEND, CLOCKWISE TO RETRACT.

ADJUST LEVELERS UNTIL EACH SUPPORT LEG IS APPLYING EQUAL UPWARD PRESSURE ON THE BED SUPPORT SLAT.

**MAINTENANCE INSTRUCTIONS:**

- REMOVE BOX SPRING AND MATTRESS BEFORE MOVING YOUR BED.
- LIFT YOUR BED WHEN MOVING IT. DRAGGING CAN DAMAGE THE SUPPORT LEG.
- READJUST LEVELERS AFTER MOVING YOUR BED.

# PLATFORM C-KING BED

## ASSEMBLY INSTRUCTIONS

AN ADJUSTABLE MATTRESS BASE IS A FREESTANDING MATTRESS SUPPORT THAT SITS WITHIN THE PERIMETER OF THE BED FRAME.

IF USING THIS BED FRAME WITH A STANDARD BOX SPRING OR FOUNDATION THESE INSTRUCTIONS DO NOT APPLY.

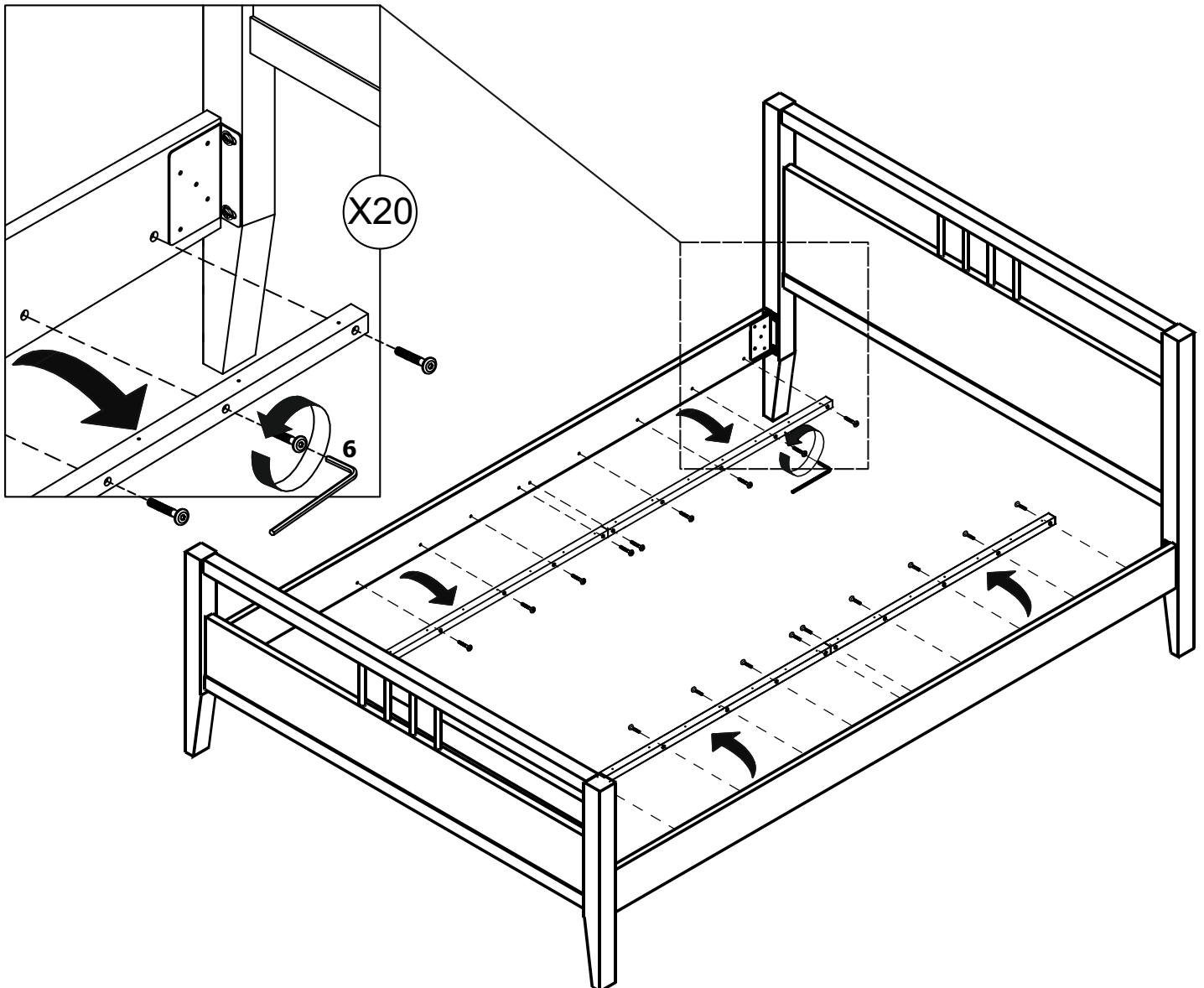
PRE-ASSEMBLED SIDE RAIL CLEATS OBSTRUCT ADJUSTABLE BASE INSTALLATION AND OPERATION. FOLLOW THESE INSTRUCTIONS TO REMOVE THEM.

### THE FOLLOWING PARTS ARE NOT REQUIRED FOR ADJUSTABLE MATTRESS BASE INSTALLATION:

D. CENTER SLAT	1 PC	4. ALLEN BOLT (6x40mm)	11 PCS
E. SUPPORT LEG	4 PCS	5. WOOD SCREW (8x30mm)	9 PCS
F. SLAT ROLL	1 SET		

### STEP 1 :

USE ALLEN KEY (6) TO UNSCREW ALLEN BOLTS AND REMOVE PRE-ASSEMBLED SIDE RAIL CLEATS.



NOTE: YOU MAY WISH TO RETAIN UNUSED PARTS IF IN THE FUTURE YOU INTEND TO USE THE BED FRAME WITH A STANDARD BOX SPRING OR FOUNDATION.

UPDATED : JUNE 15TH, 2020