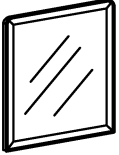
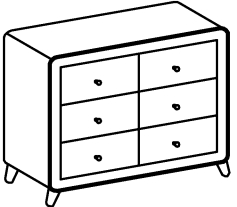


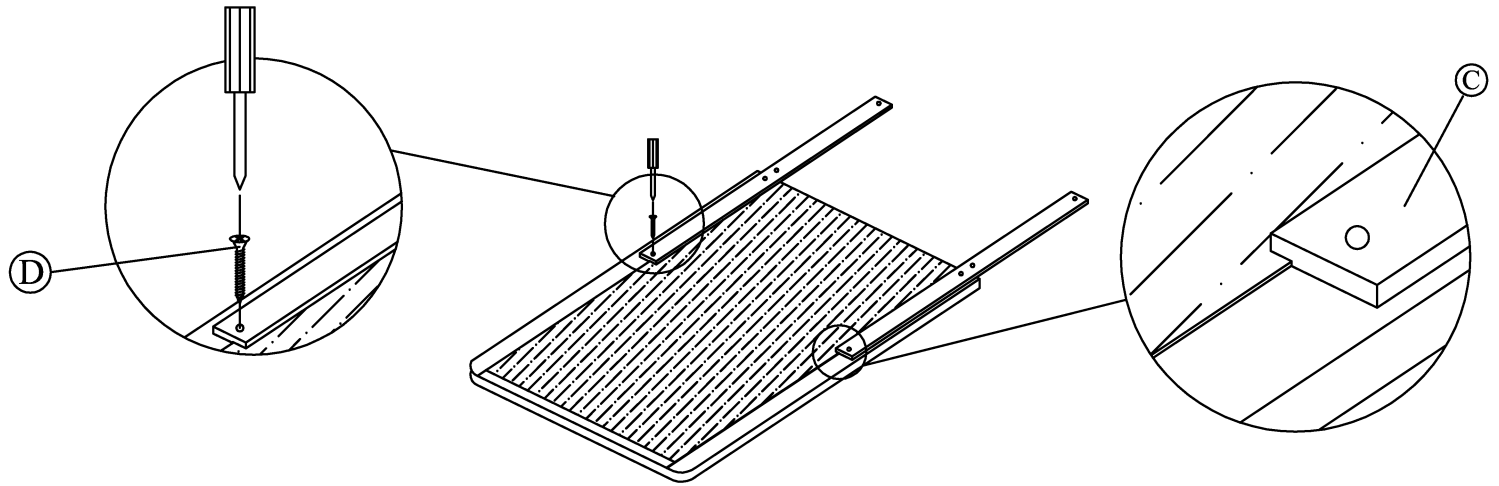
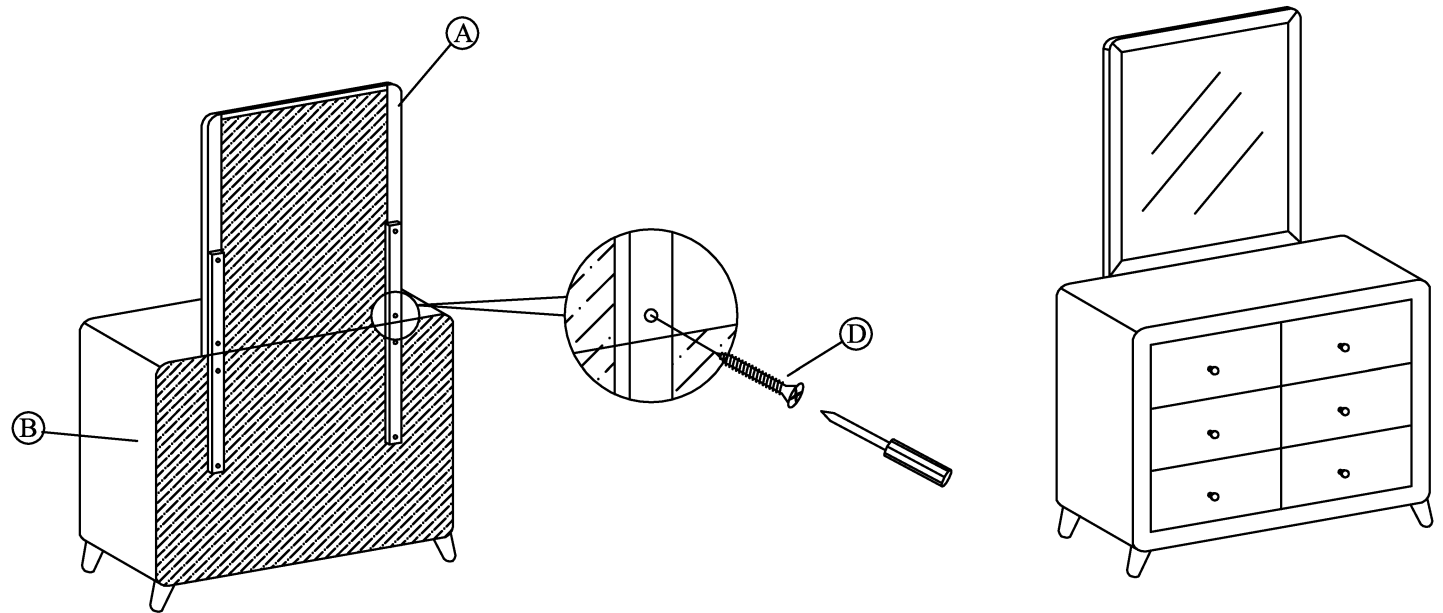


NO.	PART LIST	QTY
A	 MIRROR	1 PC
B	 DRESSER	1 PC
C	MIRROR SUPPORT 	2 PCS
NO.	HARDWARE LIST	QTY
D	 CSK SCREW M4 x 25MM	8 PCS

STEP 1 : Attach the Mirror support (C) to the back at the Mirror (A) as shown .



STEP 2 :Using the CSK Screw (D) tighten the Mirror (A)with Mirror support (C) to the back of Dresser (B).



COMPLETE ASSEMBLY!!!