

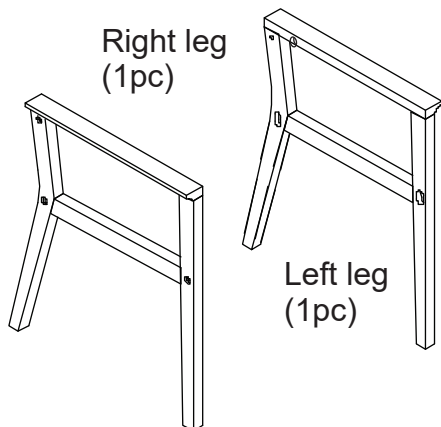
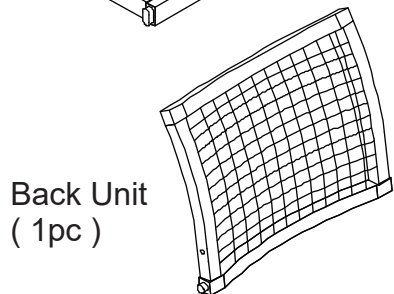
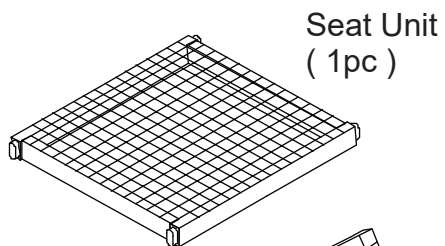


# CHAIR ASSEMBLY INSTRUCTIONS

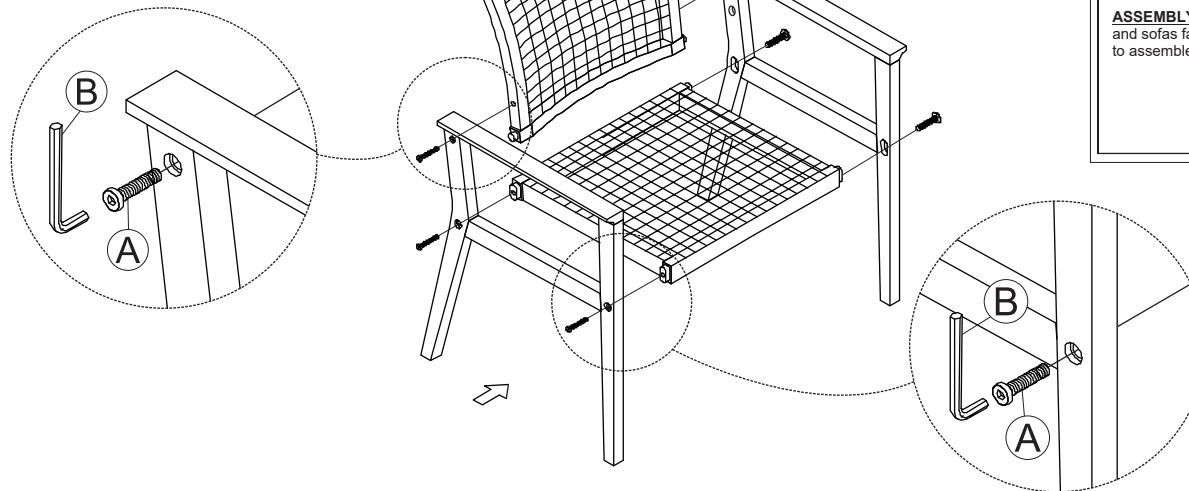
## Assembly Instructions

Please assemble on soft surface after removing contents as not to scratch or damage parts.  
Enjoy!

Item	Description	Q'ty
A	 Bolt 6x50	06
B	 Alien Key	01
C	Portable Drill Bit	01



- STEP 1**
- Put the right leg into the given holes and fasten the bolts half way.
  - Repeat on the left side.
  - Tighten bolts.



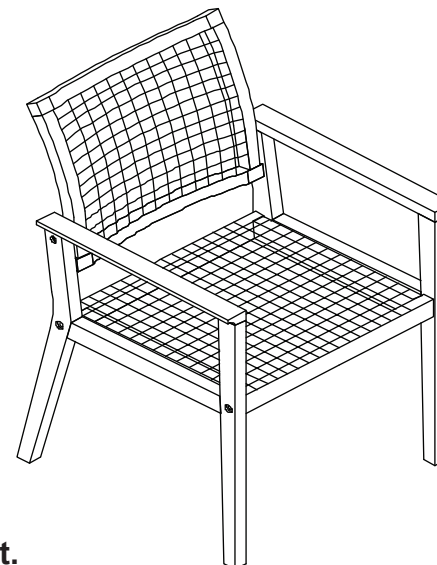
### **STOP! PLEASE READ FIRST:**

Thank you for purchasing this item

Please verify all the hardware and components are included as you unpack the carton. Place the items in a safe area to avoid loss and damaging contents. Use a soft area or use the empty box to assemble the set.

**ASSEMBLY TIPS:** Assemble upside down with the table top and sofas facing down. Never over-tighten bolts. It's best to assemble with 2 people.

- STEP 2**
- Enjoy!



**Assembly Tip:** Best to assemble on its side or upside down and do not overtighten bolts until the end after getting various parts assembled and fit.