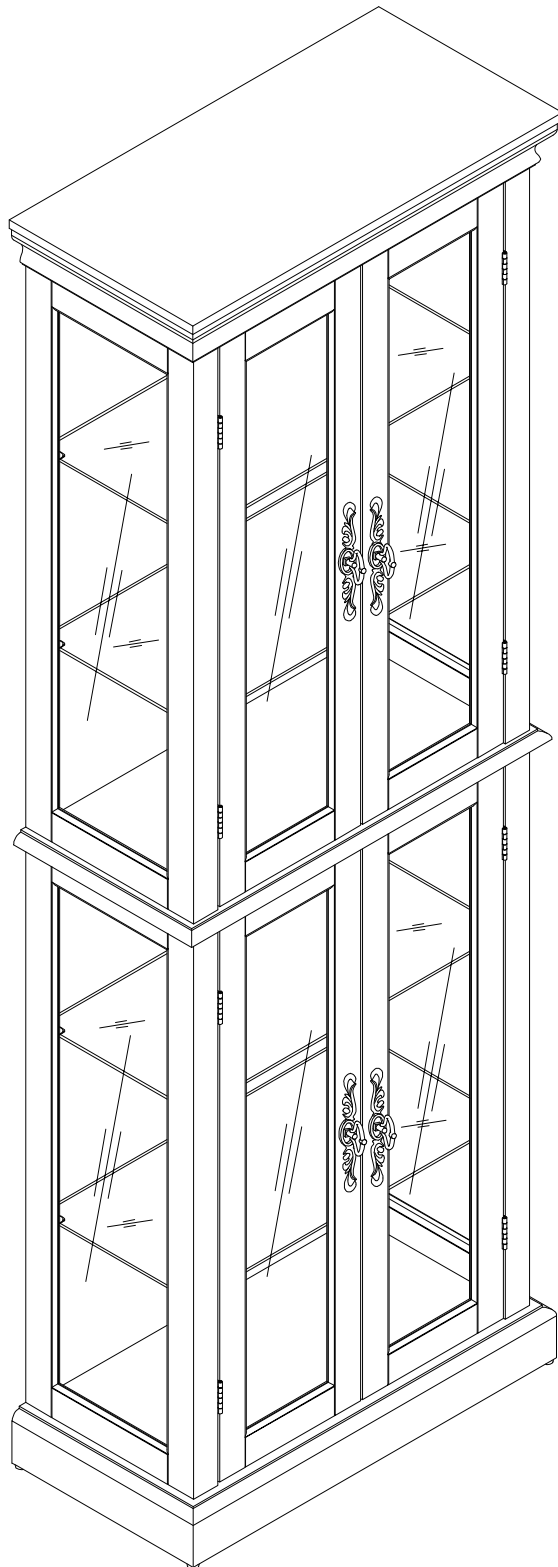


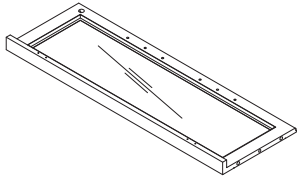
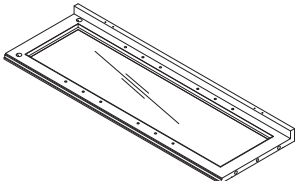
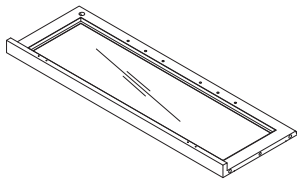
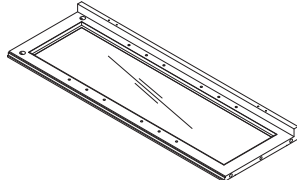
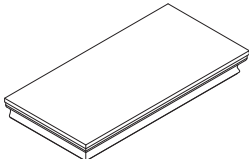
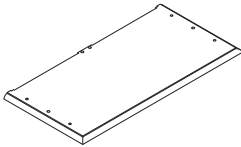
Square 4 Doors Glass Cabinet

Assembly Instruction

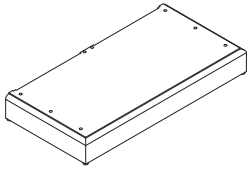
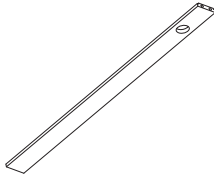
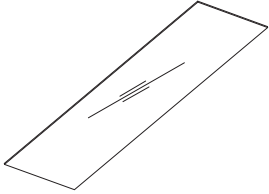
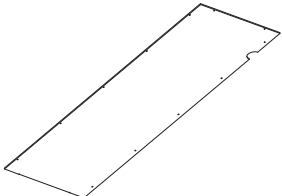
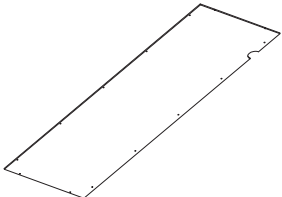
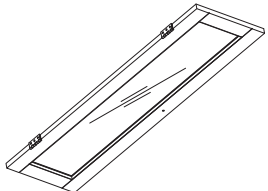


ASSEMBLY INSTRUCTION

Part List:

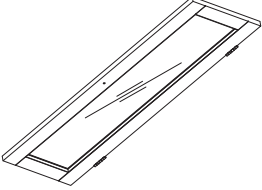
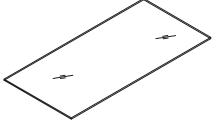
ITEM	DESCRIPTION	PART	QTY
1	Upper left side		1
2	Upper right side		1
3	Lower left side		1
4	Lower right side		1
5	Top panel		1
6	Middle panel		1

Part List:


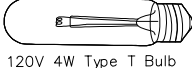
ITEM	DESCRIPTION	PART	QTY
7	Base		1
8	Back post		2
9	Back mirror		4
10	Upper back panel		2
11	Lower back panel		2
12	Left door		2

ASSEMBLY INSTRUCTION

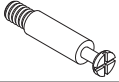







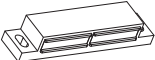
Part List:

ITEM	DESCRIPTION	PART	QTY
13	Right door		2
14	Glass shelf		4



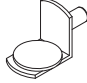





Part List:

ITEM	DESCRIPTION	PART	QTY
15	Lamp unit		1
16	Lamp Bulb	 120V 4W Type T Bulb	1

Hardware List:

ITEM	DESCRIPTION	PART	QTY
A	Camlock bolt		9
B	Camlock		9
C	Wooden dowel	 $\Phi 8 * 30 \text{mm}$	9
D	Bolt	 $\Phi 1/4" * 1 \ 1/8"$	9
E	Allen wrench		1
F	Knob		4
G	Machine screw	 $\Phi 5/32 * 5/8"$	4
H	Short wood screw	 $\Phi 3 * 15 \text{mm}$	32
I	Magnet		2

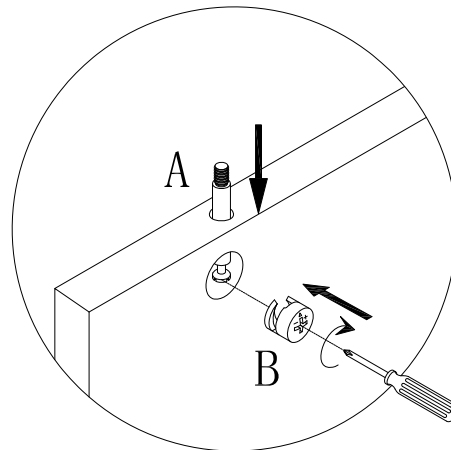
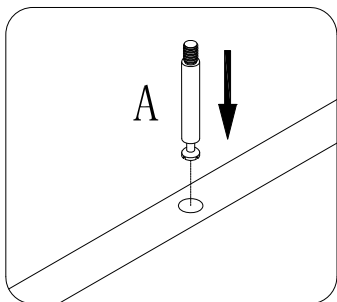
Hardware List:

ITEM	DESCRIPTION	PART	QTY
J	Handle		4
K	Back screw	 $\Phi 3 * 15 \text{mm}$	54
L	Shelf support		17
M	Safety wall strap		1
N	Plastic anchor		1
O	Mounting screw	 $\Phi 4 * 38 \text{mm}$	1
P	Washer		1
Q	Wooden dowel	 $\Phi 8 * 50 \text{mm}$	4

Tip: It is recommended to keep all hardware in a box to avoid loss during installation.

- * Required screwdriver & mallet, not included.
- * Before discarding packing materials, please check to make sure that all parts and hardware is present.
- * Two people needed for assembly.
- * Please follow the instructions closely; do not over tighten screws or bolts unless instructed.
- * Caution: If using a power drill or power screwdriver for screwing, please be aware to slow down and stop when screw is tight. Failure to do so may result in stripping the screw.

Guideline For Assembling of Cam Lock(A & B)





Screw camlock bolt (A) to wood part.

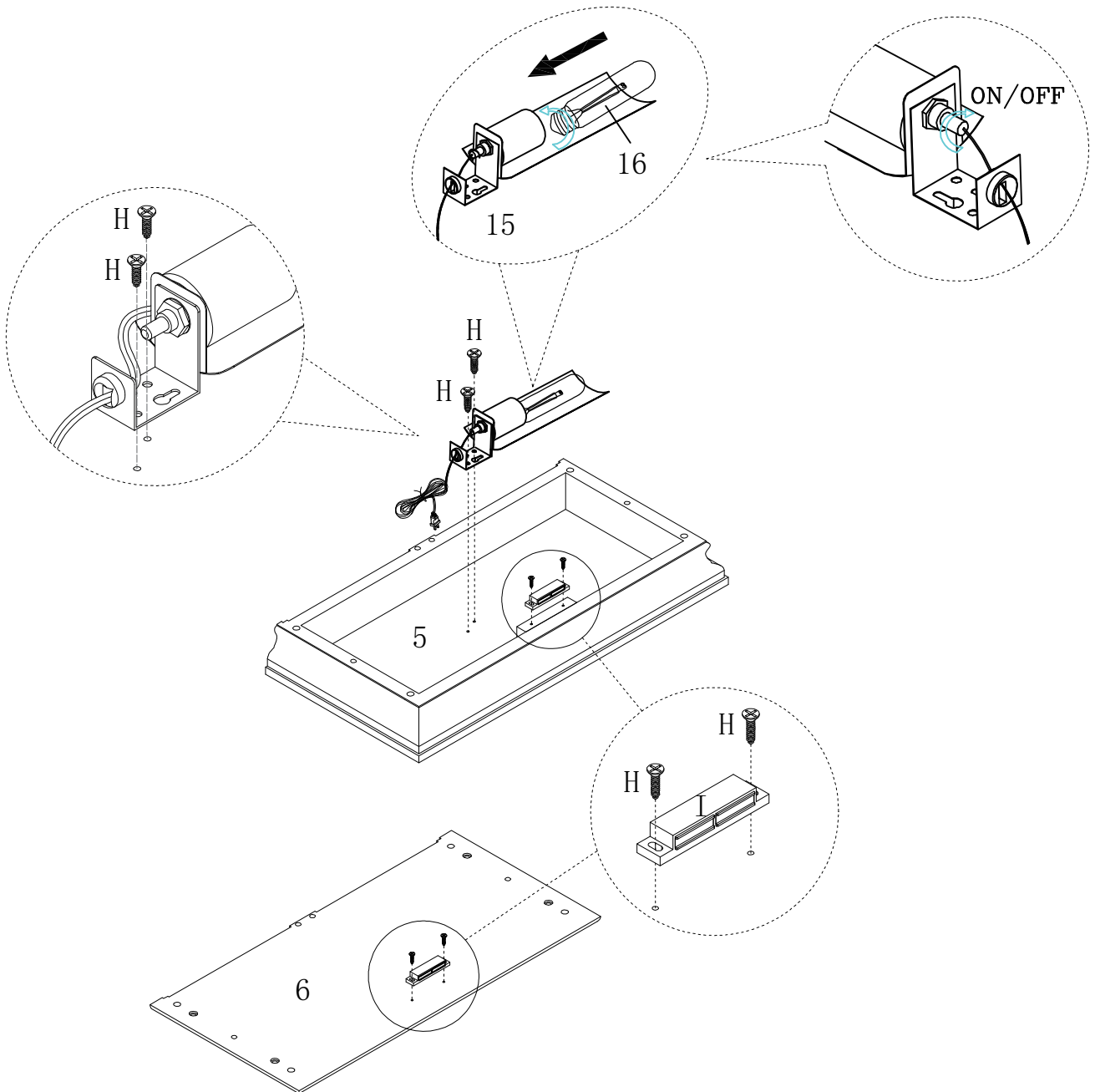
Do not assemble camlock (B) unless instructed.

To assemble camlock (B), ensure long side of the + is facing the bolt (A) before inserting into hole.

ASSEMBLY INSTRUCTION

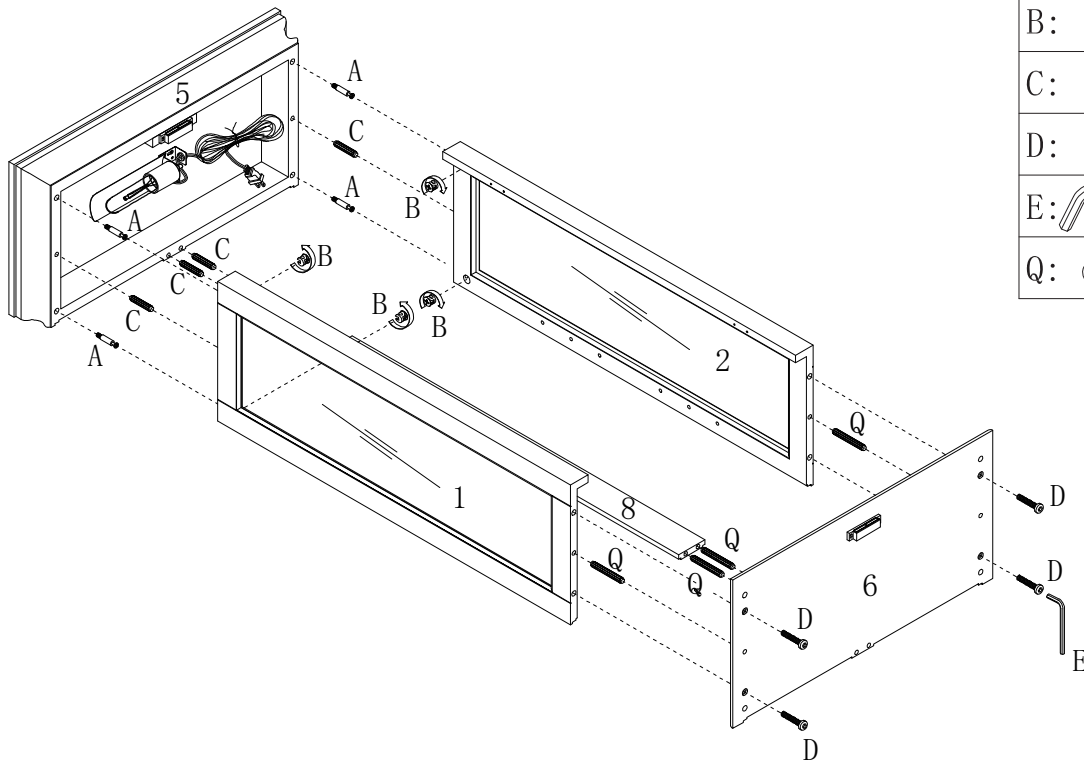
STEP 1



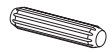



H:		6PCS
I:		2PCS





ASSEMBLY INSTRUCTION

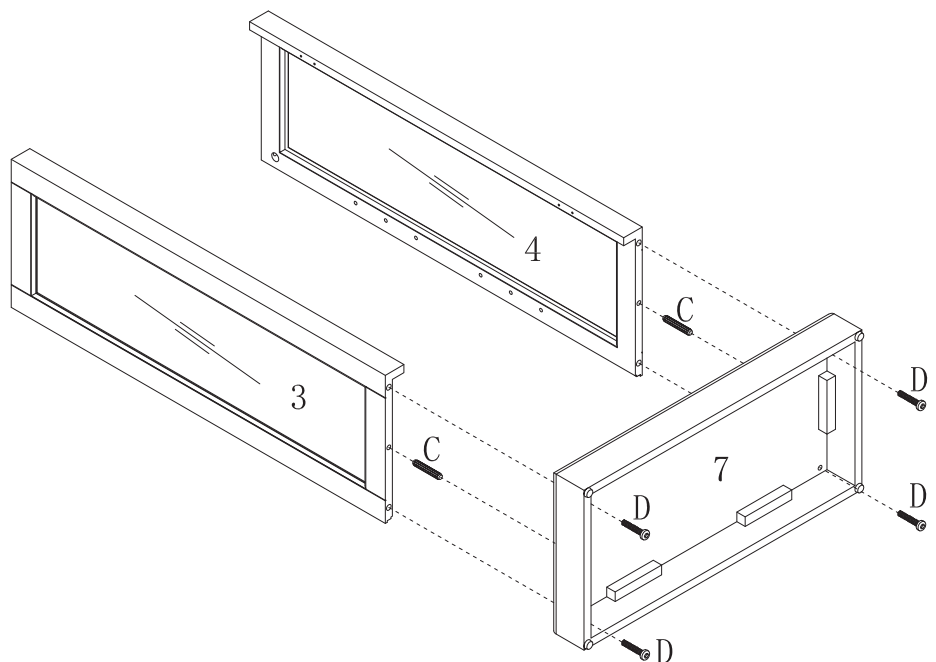
STEP 2



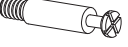


A:		4PCS
B:		4PCS
C:		4PCS
D:		4PCS
E:		1PC
Q:		4PCS

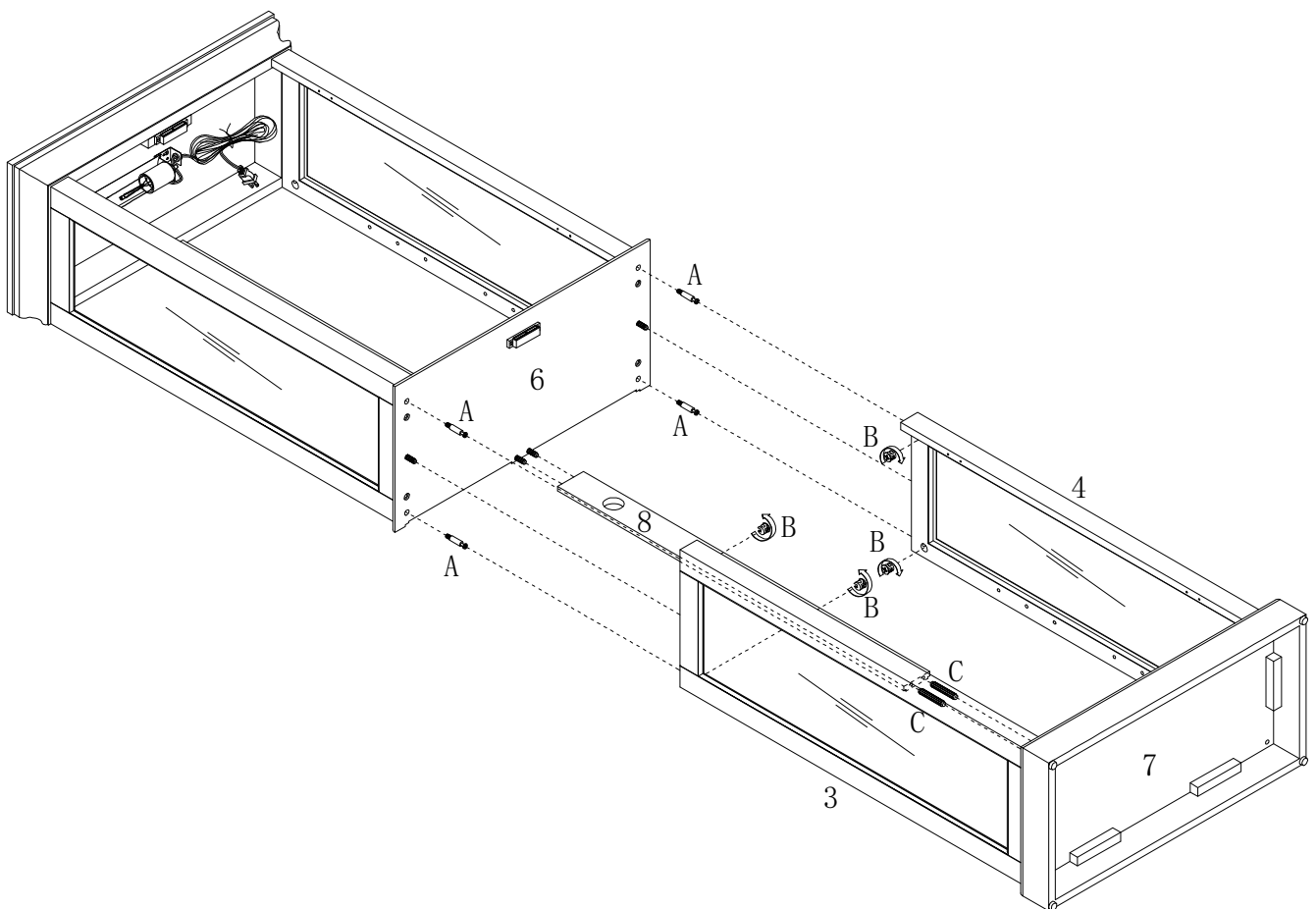
STEP 3

C:		2PCS
D:		4PCS






STEP 4

A:		4PCS
B:		4PCS
C:		2PCS

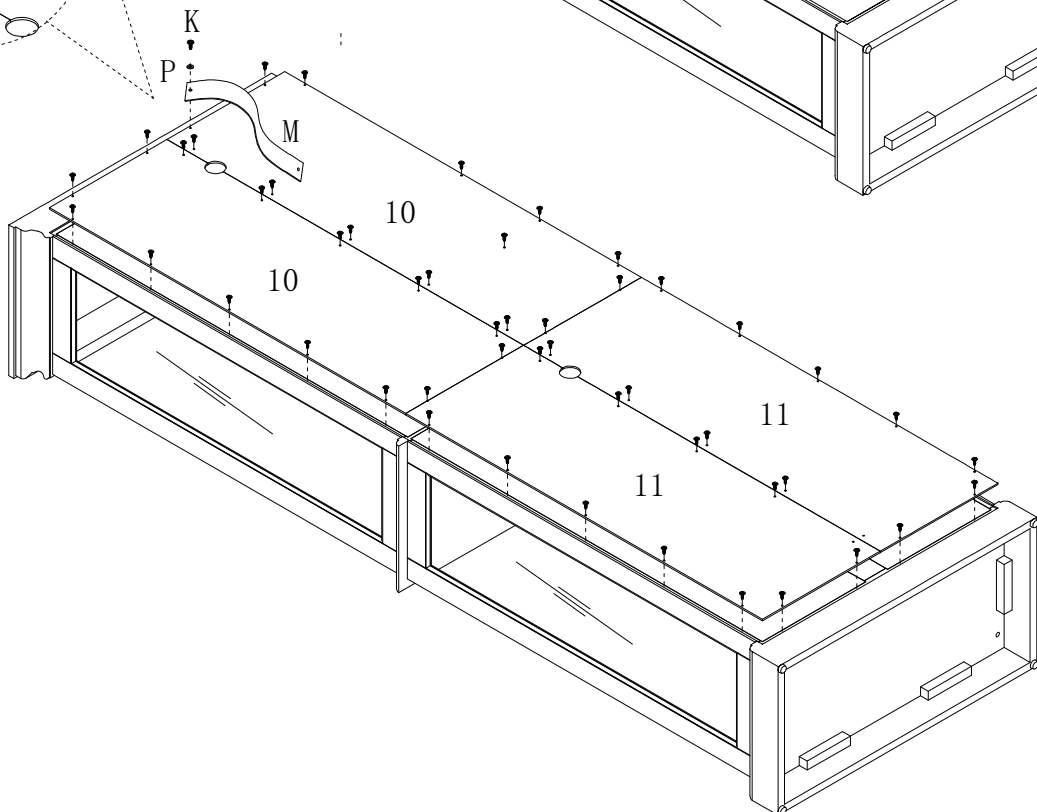
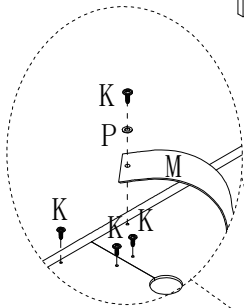
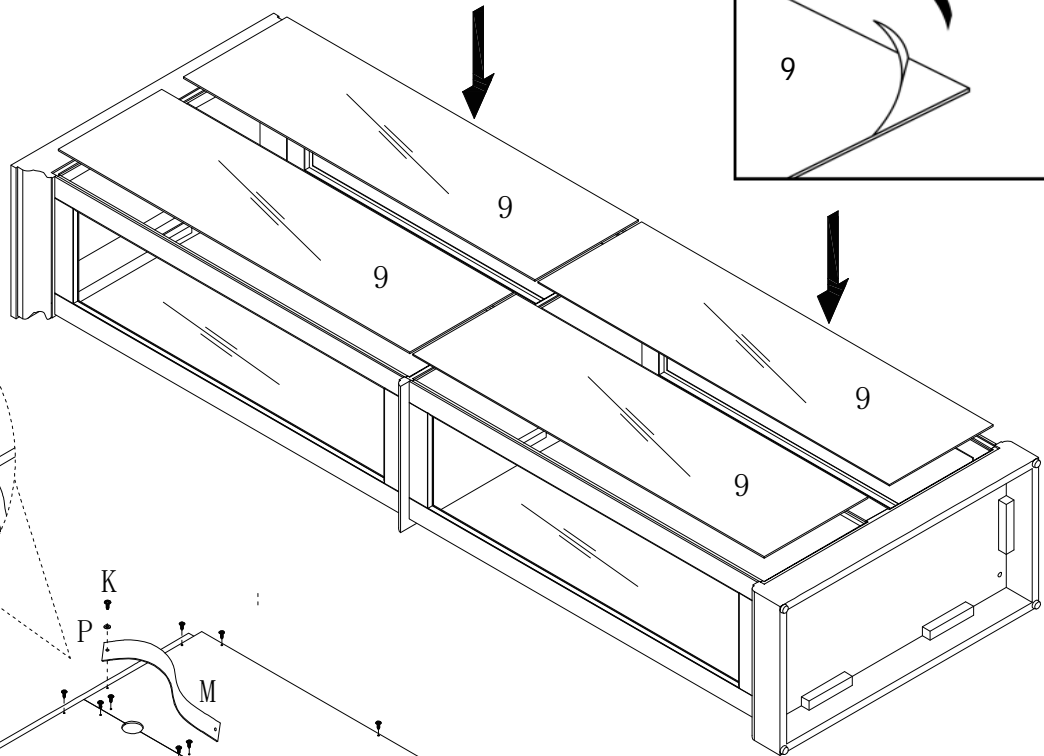
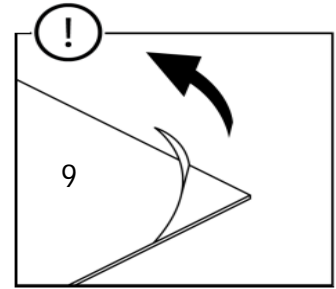


ASSEMBLY INSTRUCTION





STEP 5

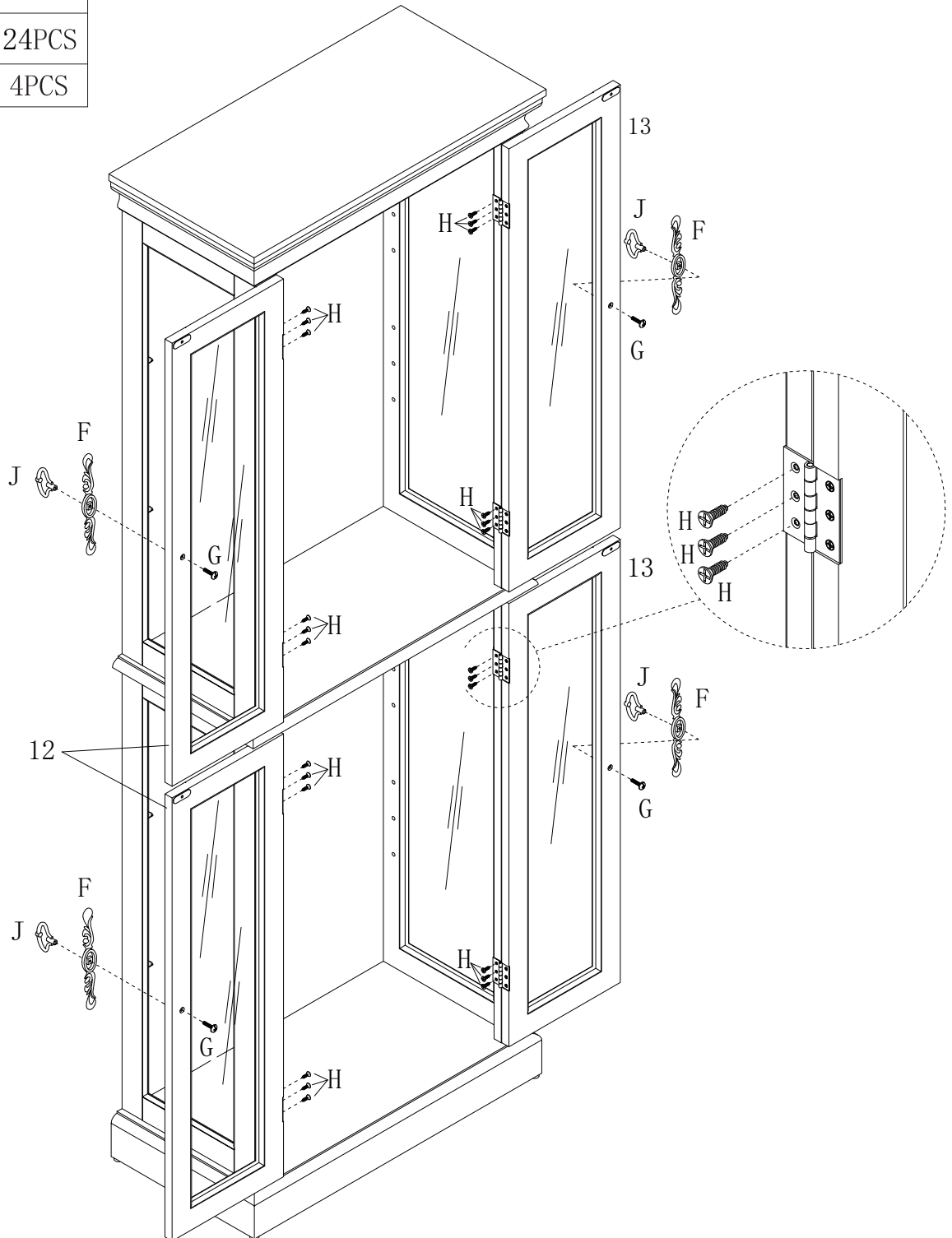
K:		52PCS
M:		1PC
P:		1PC

Please tear off the protective film of the mirror before assembling the mirror.



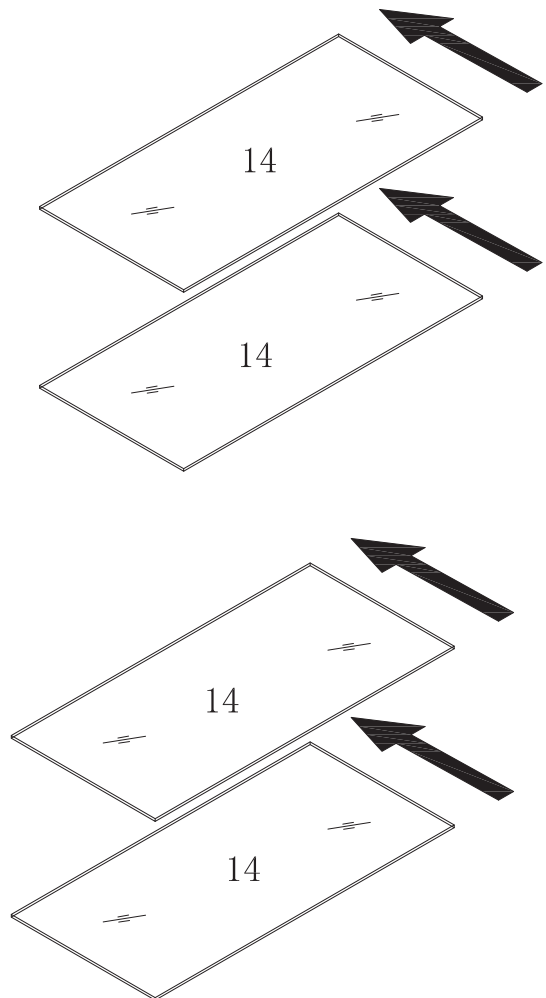
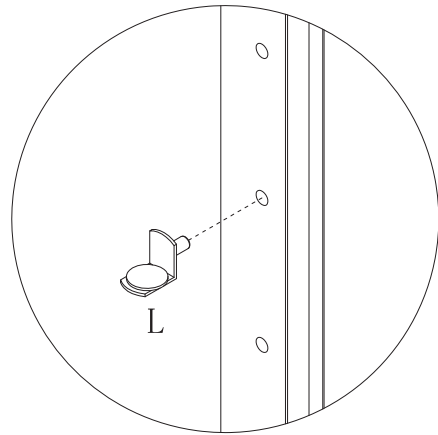
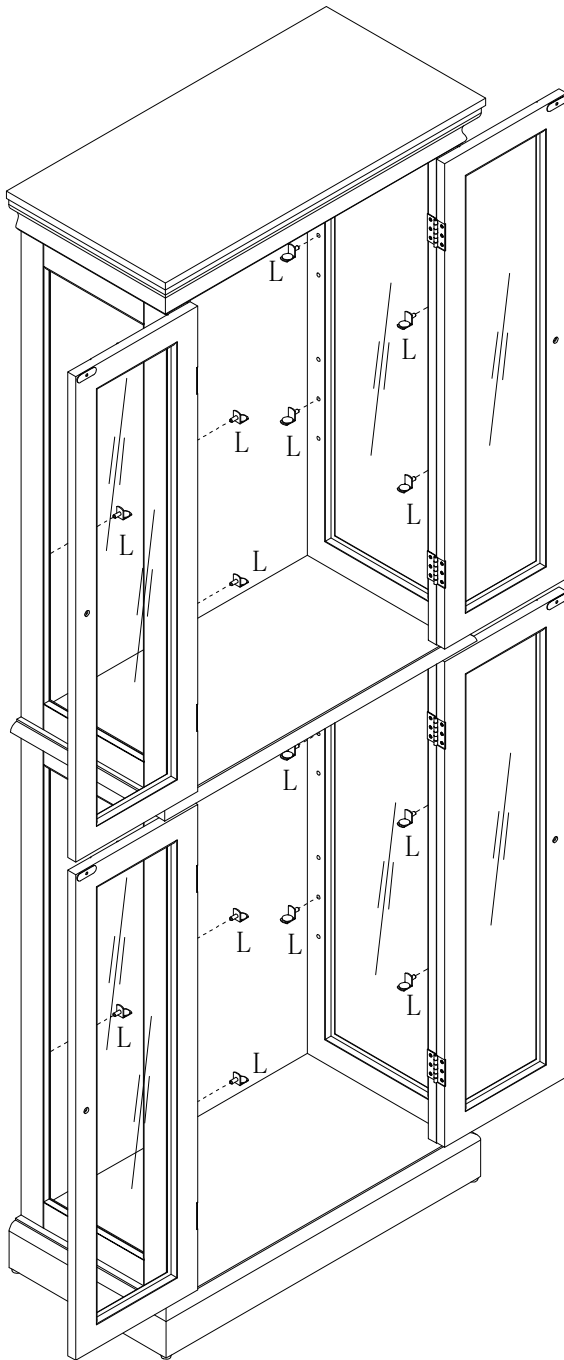
STEP 6

F:		4PCS
G:		4PCS
H:		24PCS
J:		4PCS

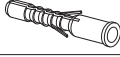
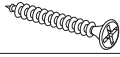



STEP 7

L:  16PCS



STEP 8

N:		1PC
O:		1PC
P:		1PC

