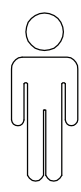

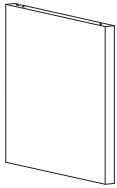
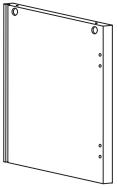
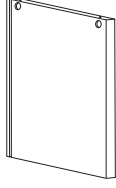
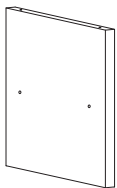
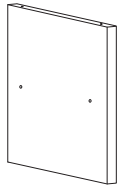
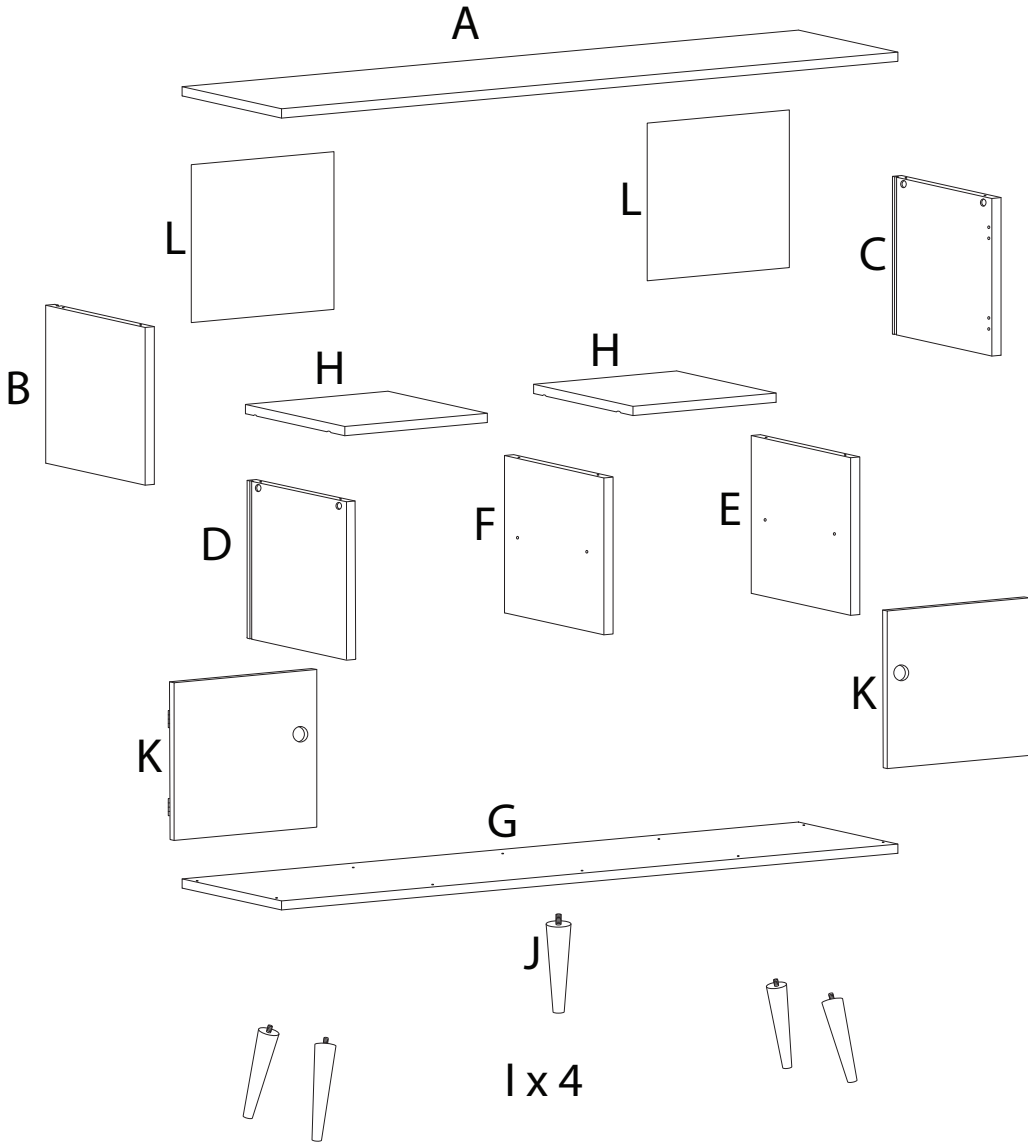






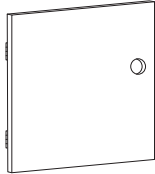
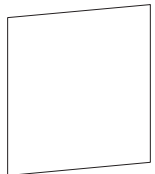
30'



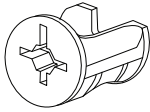
1

A	B	C	D	E	F
					
x 1	x 1	x 1	x 1	x 1	x 1



G	H	I	J	K	L
					
x 1	x 2	x 4	x 1	x 2	x 2

M



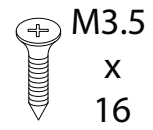
x 10

N



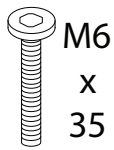
x 10

O



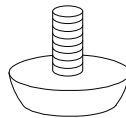
x 16

P



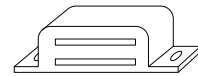
x 10

Q



x 1

R



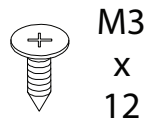
x 2

S1



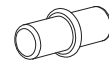
x 2

S2



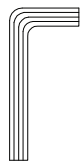
x 2

T



x 8

U



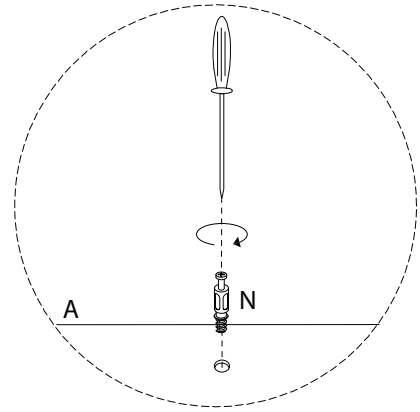
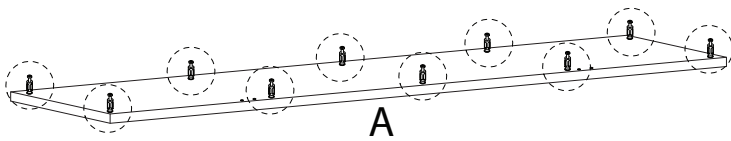
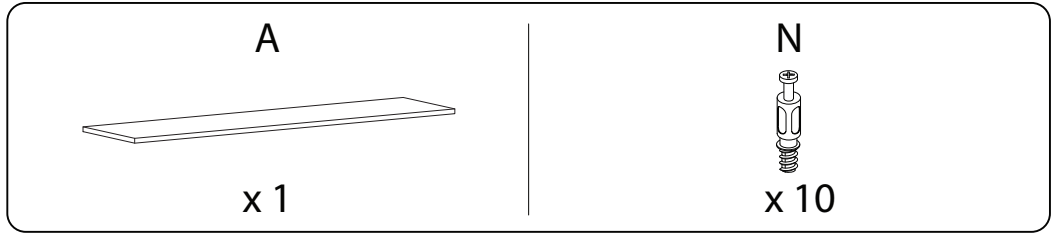
x 1

V

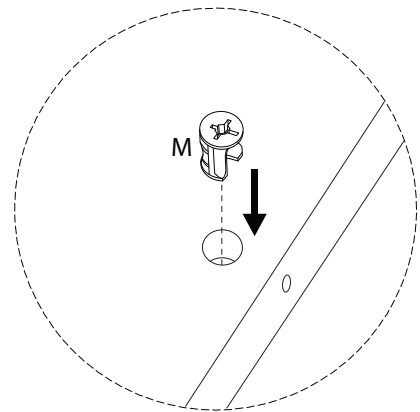
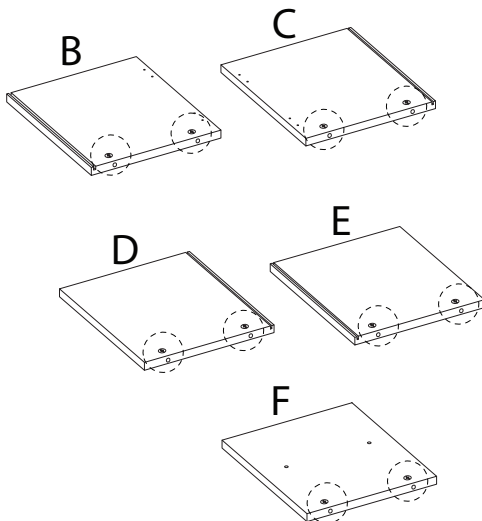
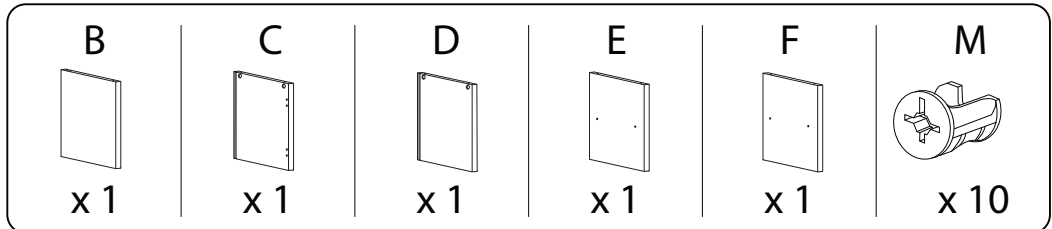


x 4

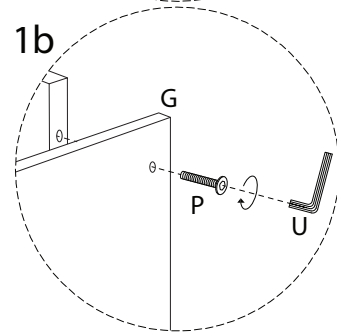
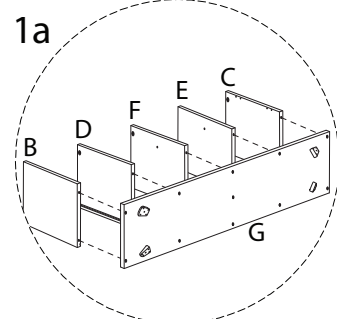
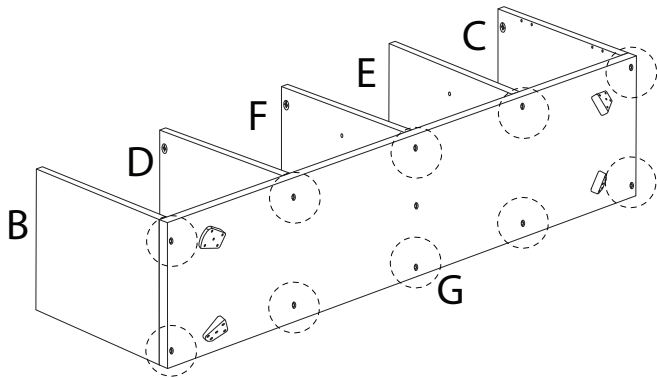
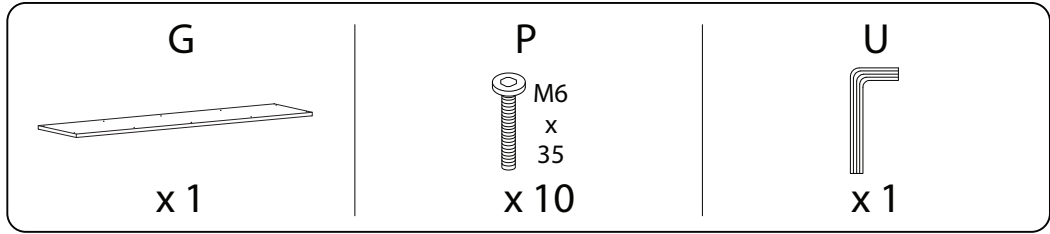
1



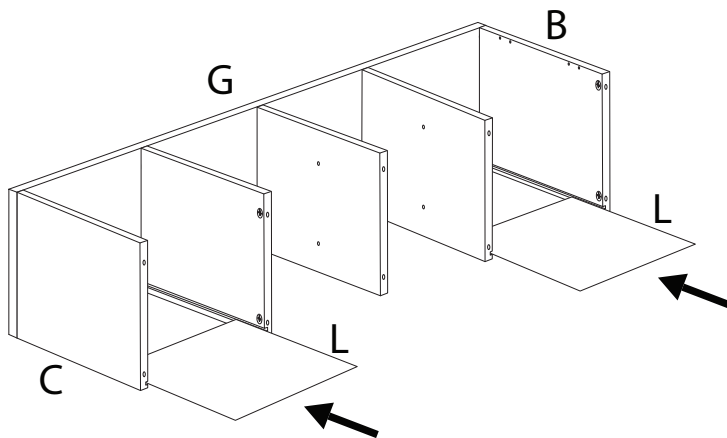
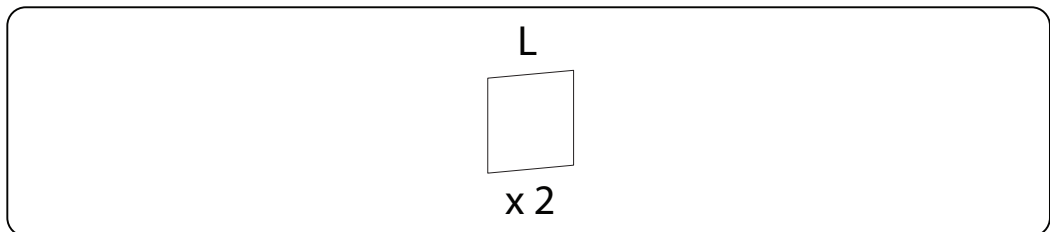
2



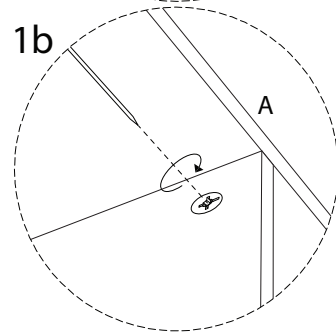
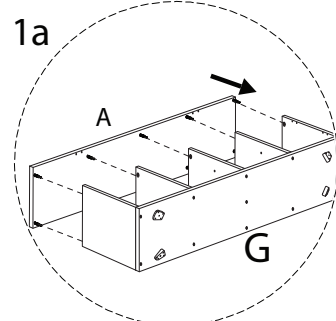
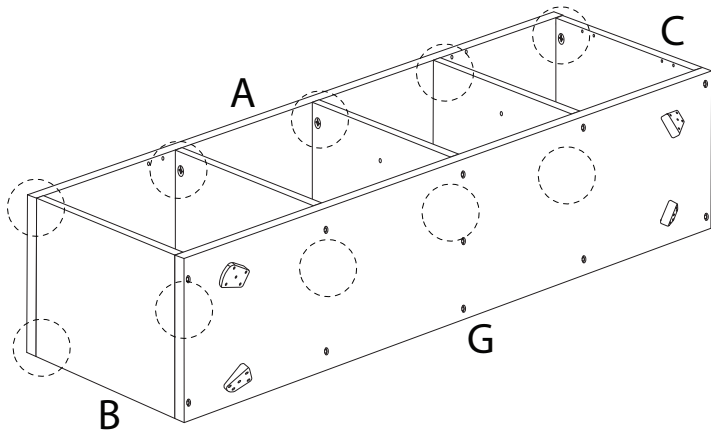
3



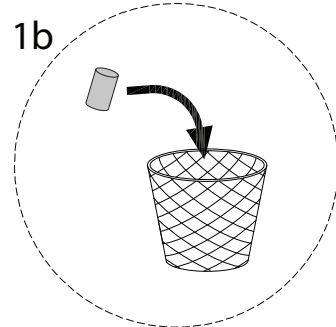
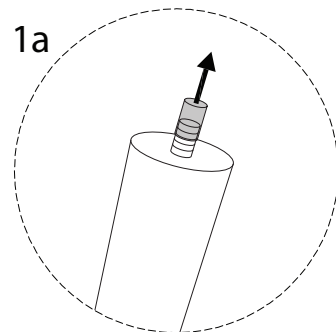
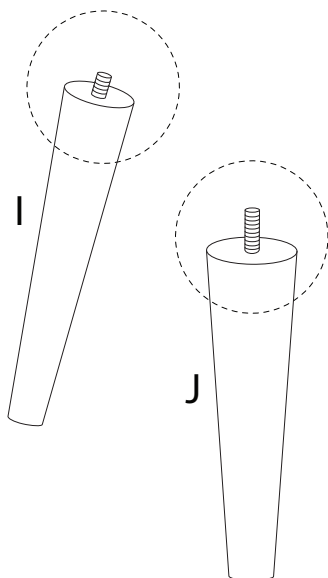
4



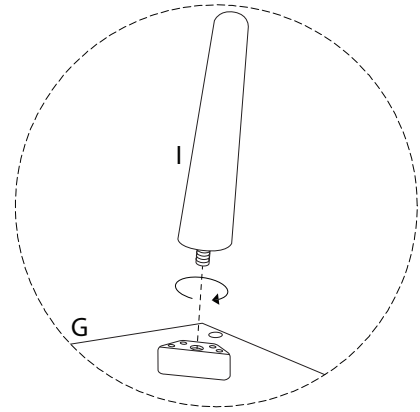
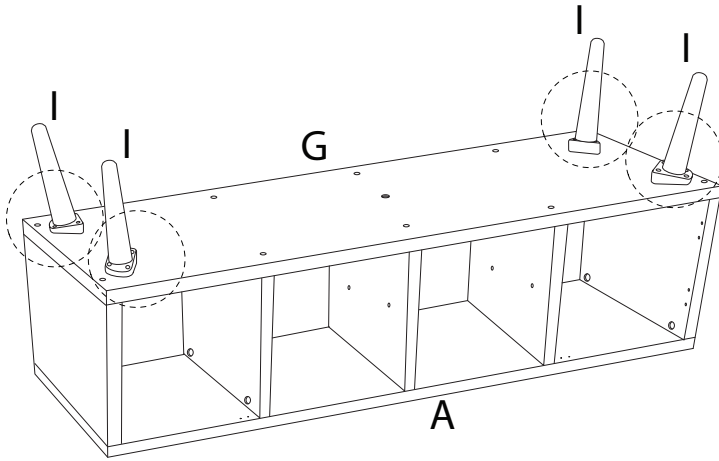
5



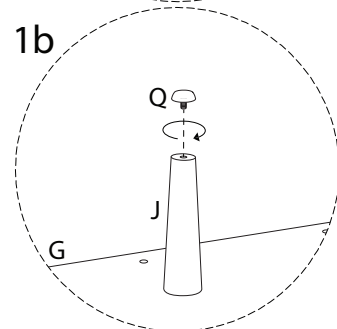
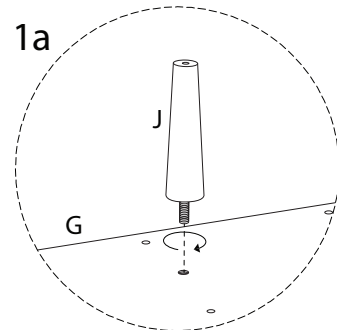
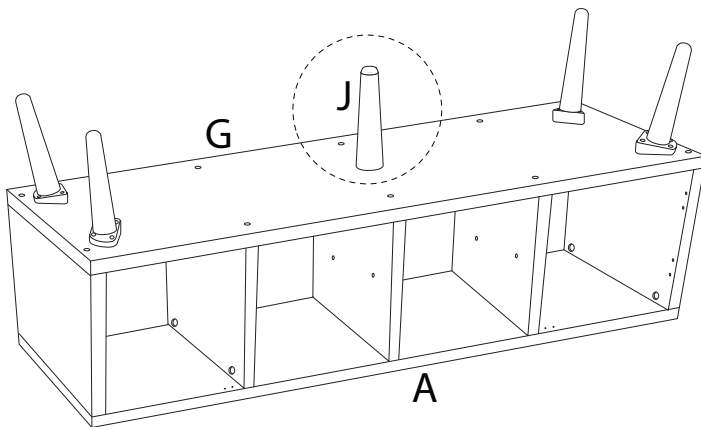
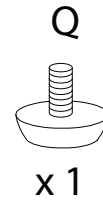
!



6

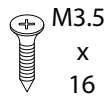


7



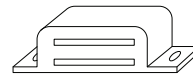
8

O

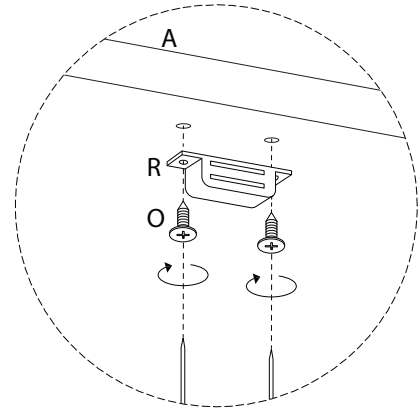
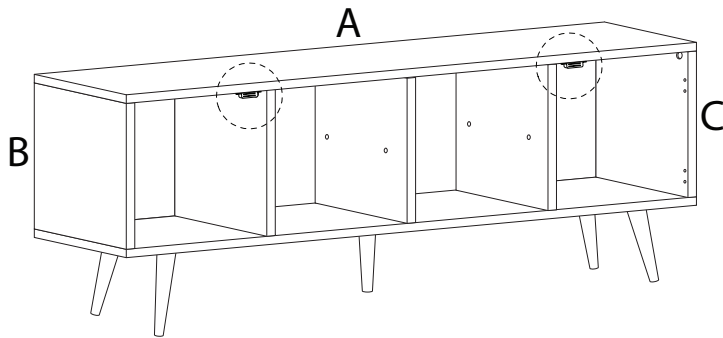


x 4

R

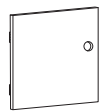


x 2



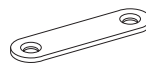
9

K



x 2

S1

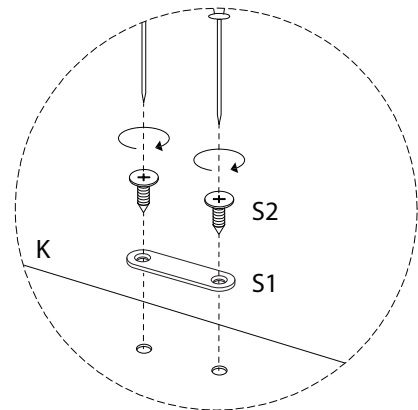
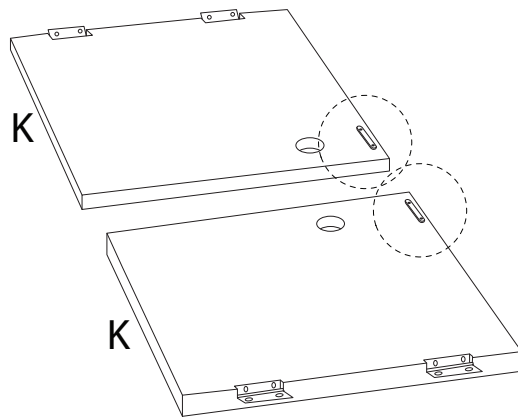


x 2

S2

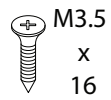


x 4

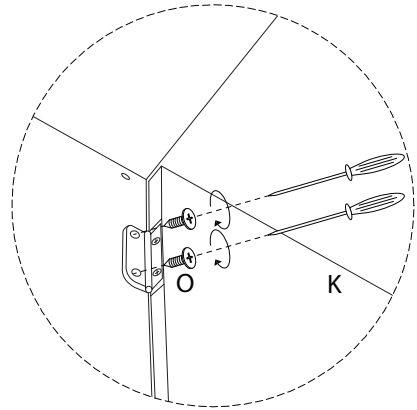
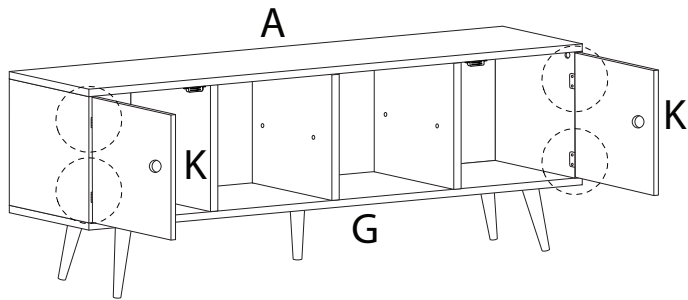


10

O

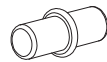


x 8

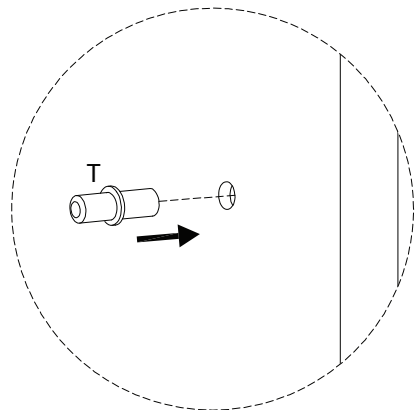
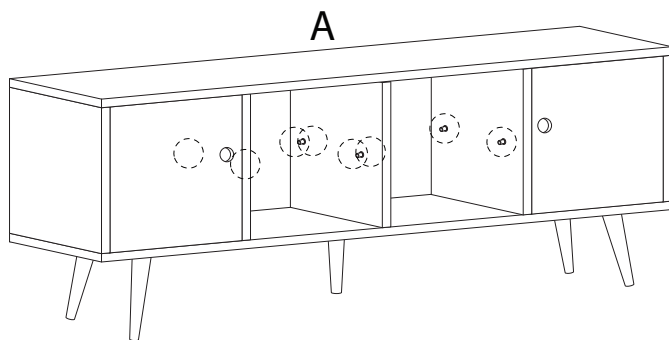


11

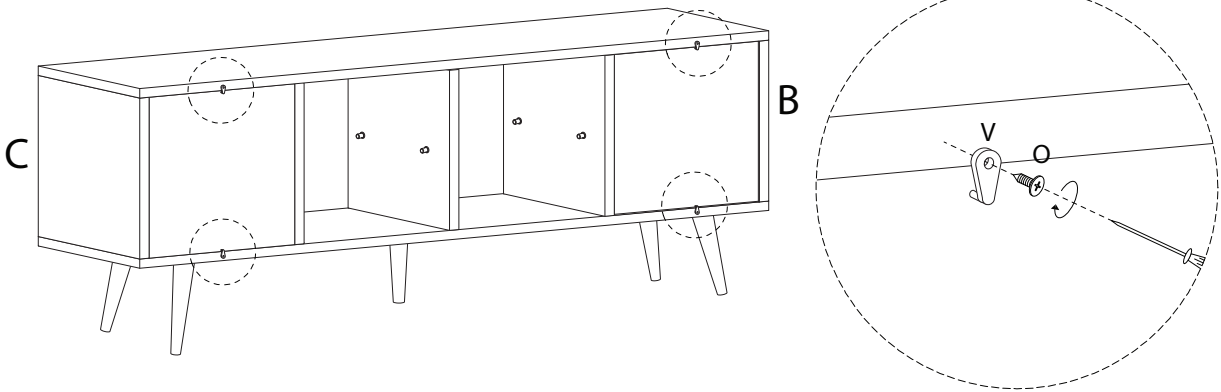
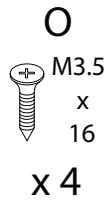
T



x 8

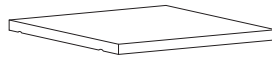


12

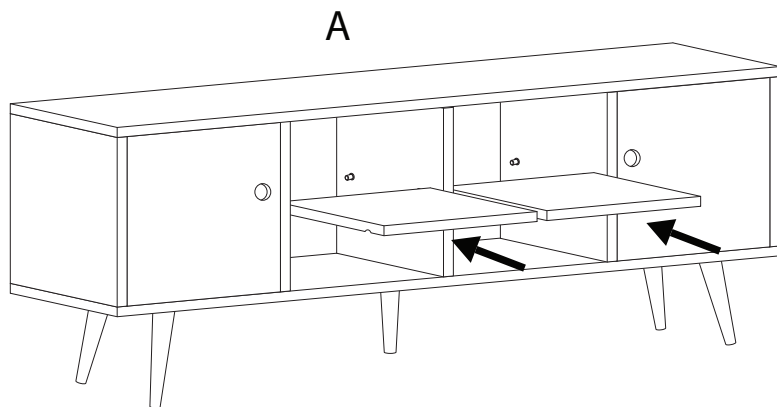


13

H



x 2



14

