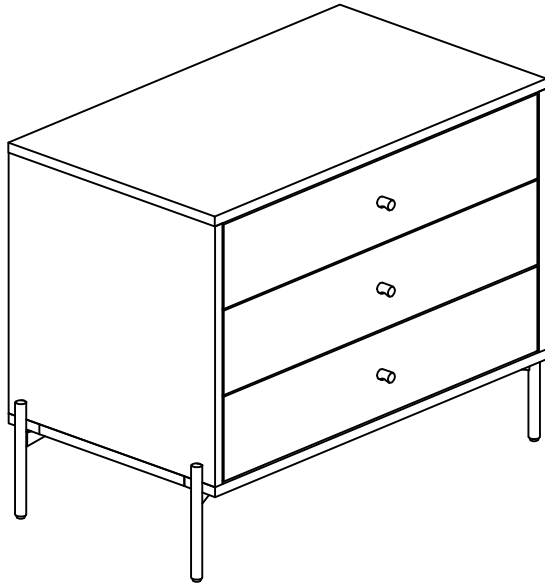
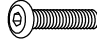



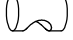


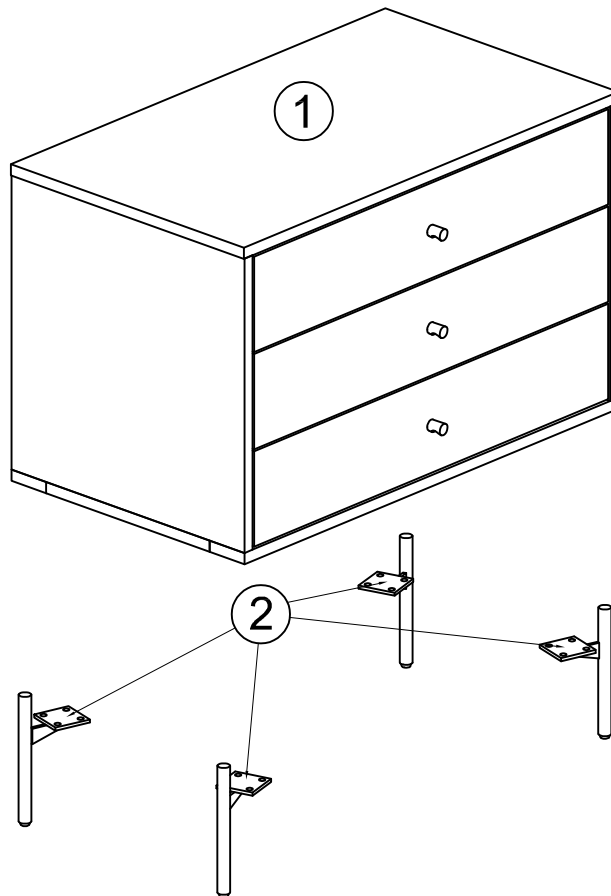


# ASSEMBLY INSTRUCTION FOR LARGE NIGHTSTAND

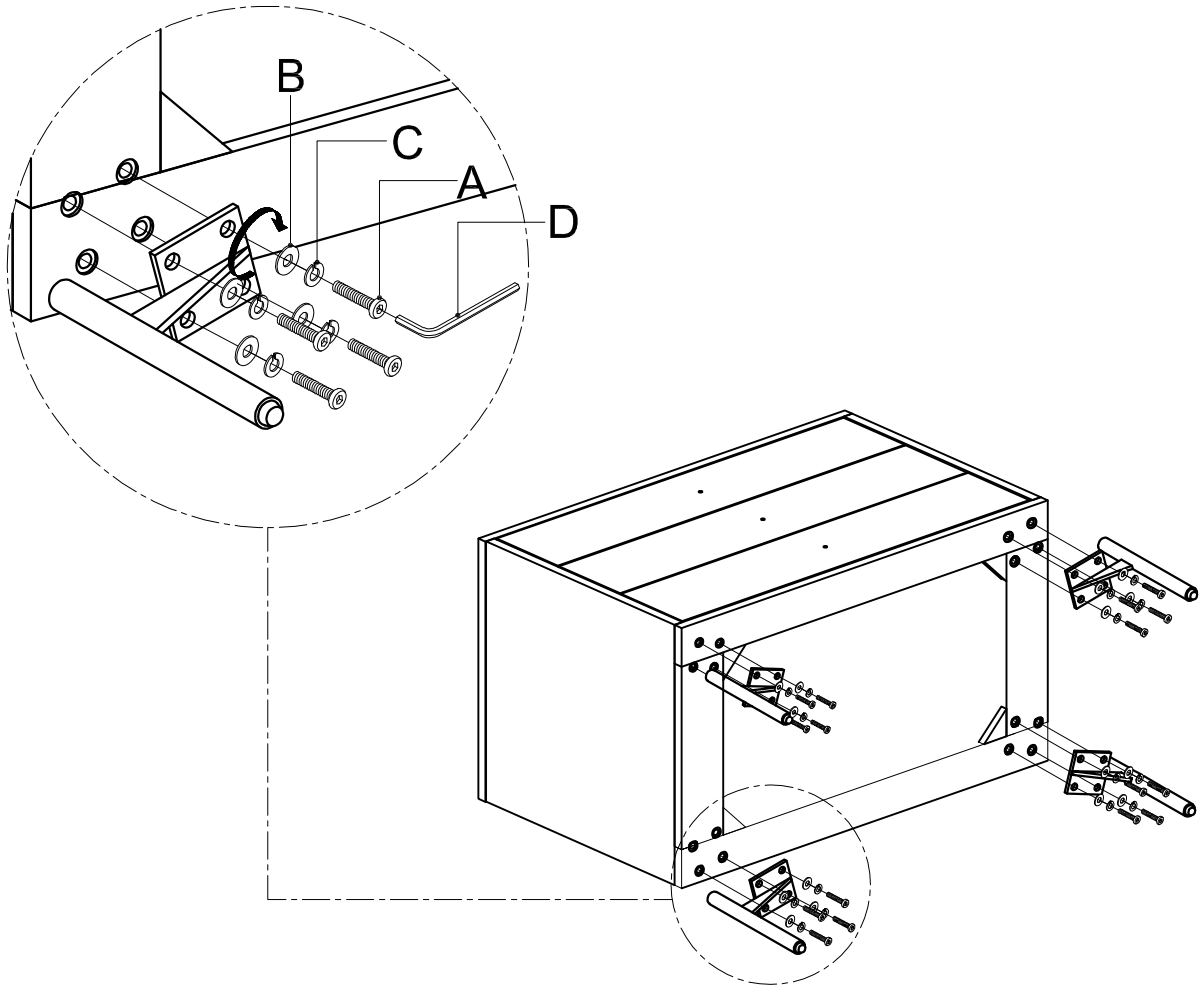


## Hardware List

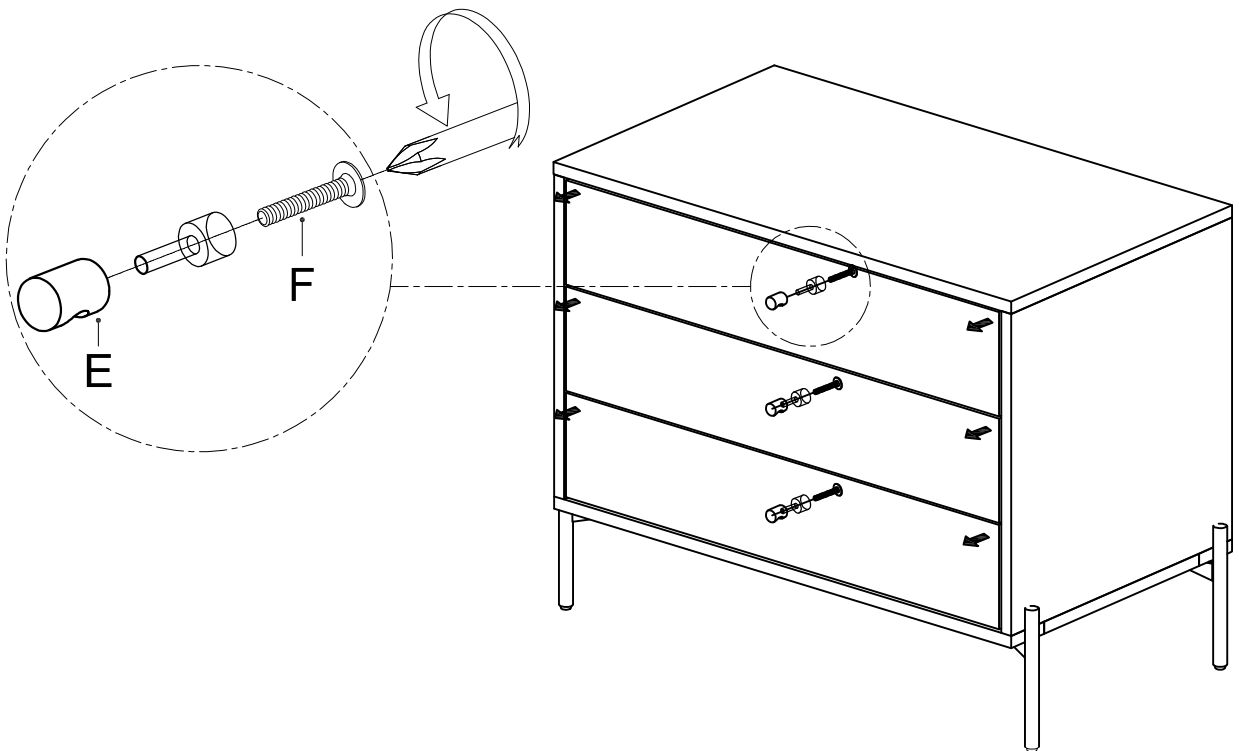
<b>A</b>		Bolt	6x20mm	16
<b>B</b>		Flat Washer	6x16x2mm	16
<b>C</b>		Spring Washer	6x16mm	16
<b>D</b>		Allen Key	4mm	1
<b>E</b>		Handle		3
<b>F</b>		Bolt	4x25mm	3
<b>G</b>		Tipping hardware		1



Step 1



Step 2



## Step 3

★ **REMARK:** There is a tip restraint kit provided on the back of this product please read the direction thoroughly and install immediately

Tipping Hardware

