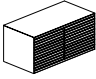
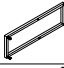
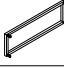




Assembly Instructions






ITEM NO.:11062

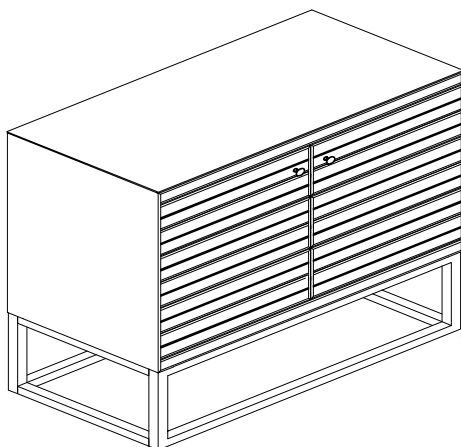
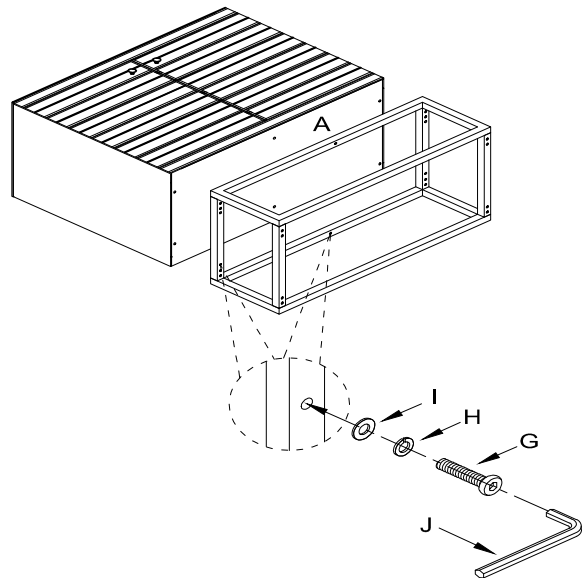
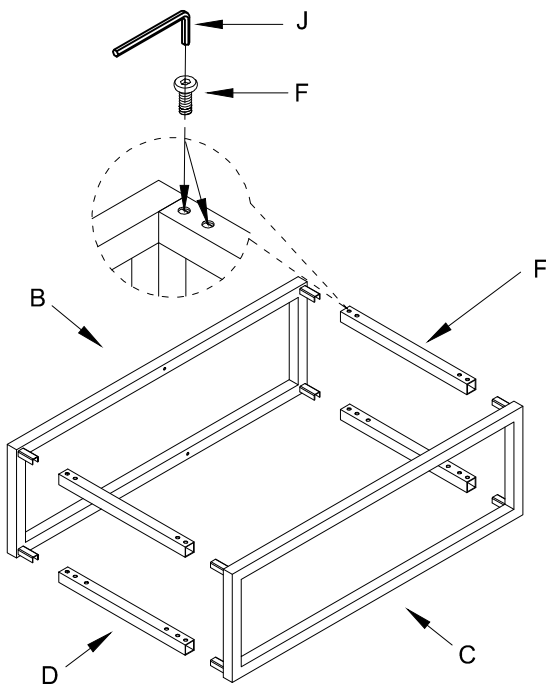
Thank you for purchasing this quality product. Be sure to check all packing material carefully for small parts that may have come loose inside the carton during shipment. (Note: Loosely thread all screws/bolts first. Once the item is assembled then completely tighten.)

PARTS LIST:

NO.	Description	Sketch	Quantity
A	Top		1pc
B	Upper Leg		1pc
C	Lower Leg		1pc
D	Top Metal Leg		2pcs
E	Bot Metal Leg		2pcs

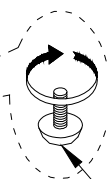
HARDWARE LIST

NO.	Sketch	Description	Size	Quantity
F		Blots	Ø1/4*5/8"	16pcs
G		Blots	Ø1/4*1-5/8"	6pcs
H		Flast washer	Ø1/4"	6pcs
I		Look washer	Ø1/4"*3/4"	6pcs
J		Allen wrench	M4	1pc



Tips: for a aligning doors:

Tip A: Sometimes the doors will not line up because of an uneven floor surface the furniture reats on. In that case, try adjusting the levelers found on the botton of each foot to aid in correcting.



Adjustable leveler