

Assembly Instructions

Caution : You must read this before you proceed



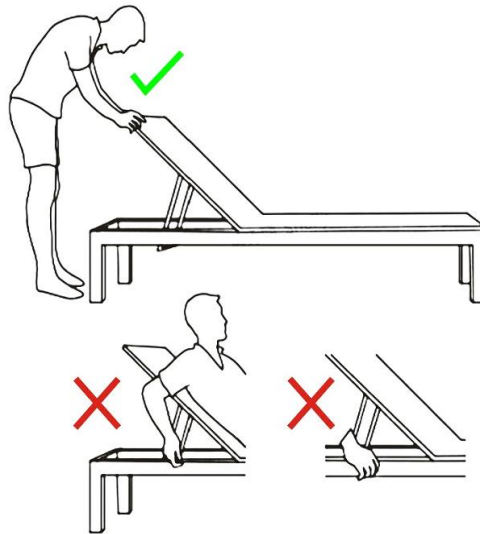
SAFETY WARNING

Never adjust chaise lounge or recliner backrest while seated.

Always make sure the backrest is flat before moving the chaise lounge.












Keep all limbs clear from under the backrest when it is in a raised position.

Serious finger, hand, or other bodily injuries may result from adjusting the chaise lounge backrest position while seated.

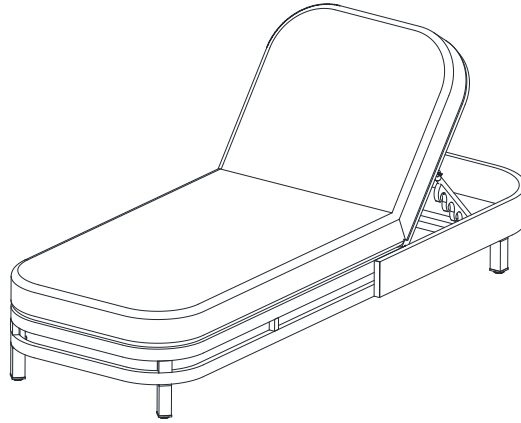


The examples pictured above are non exhaustive and are for your reference only

Care & Maintenance

- ⊘  ● Not for commercial use. For residential use only.
- ⊘  ● Prolonged exposure to rain may cause rusting which can stain floors.
- ⊘  ● Do not put hot items directly on furniture surface.
- ⊘  ● Do not clean furniture with harsh cleansers or polish.
- ✓  ● To obtain the longest lifespan of your outdoor products, minimizing exposure to direct sunlight is recommended.
- ⊘  ● Children should not climb or jump on the furniture.
- ⊘  ● Do not write on furniture without a padded barrier to protect the surface.
- ✓  ● To obtain the longest lifespan of your outdoor products, avoid extended and lengthy exposure to rain, snow, and direct sunshine. Whenever possible cover the product and /or place under patio or awnings.
- ⊘  ● Stains may be removed with mild soap solution and damp cloth.
- ✓  ● Keep away from sources of ignition.
- ✓  ● Dust and pick-up spills using a clean, non-colored, lint-free cloth.

Daybed



Part List

Label	Picture	Description	QTY
A		Bed Panel	1
B		Cushion	1
C		Leg	4
D		Support Bar	1

Hardware

Label	Picture	Description	QTY
①		Alley Wrench	1
②		Washer	13
③		Bolt (M6*20mm)	5
④		Bolt (M6*30mm)	9

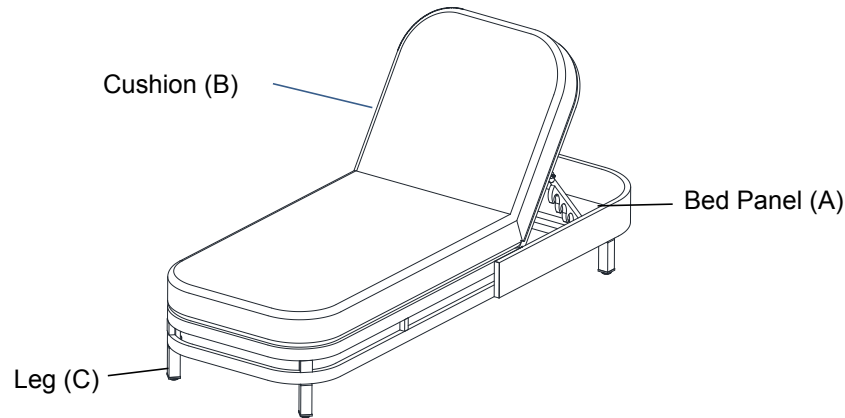
Assembly Preparation

Before Beginning Assembly:								
	A	B	C	D	①	②	③	④

- Read instructions, cover to cover-
- Have 2 adults on hand for assembly-
- Do not assemble on flooring or carpet-
- Assemble on a clean non-marring surface (packing foam)-
- Save all packaging until finished-

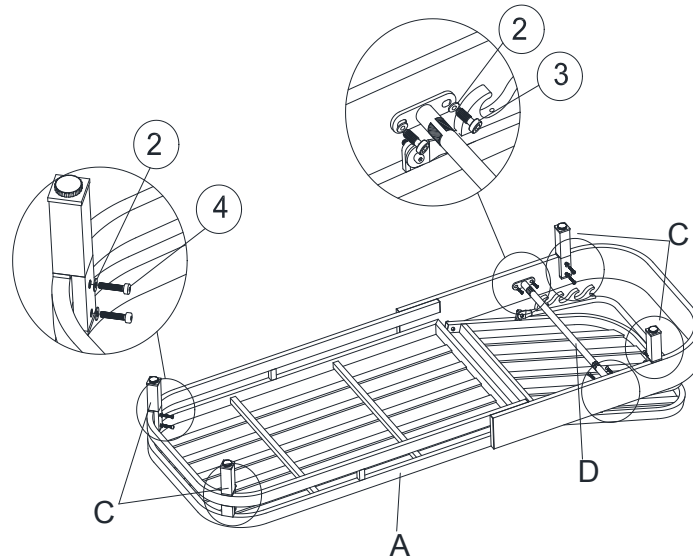
Assembly Steps

Overview



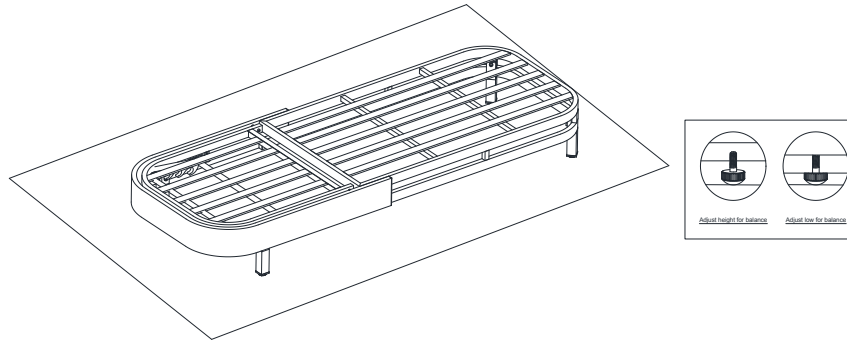
This Daybed has multiple parts and may require up to 30 minutes to assemble. To give you an overview of the Daybed parts, the above picture is to help you put the various parts into perspective. Please read through the instructions below to familiarise yourself with the parts and steps before assembly.

Step 1



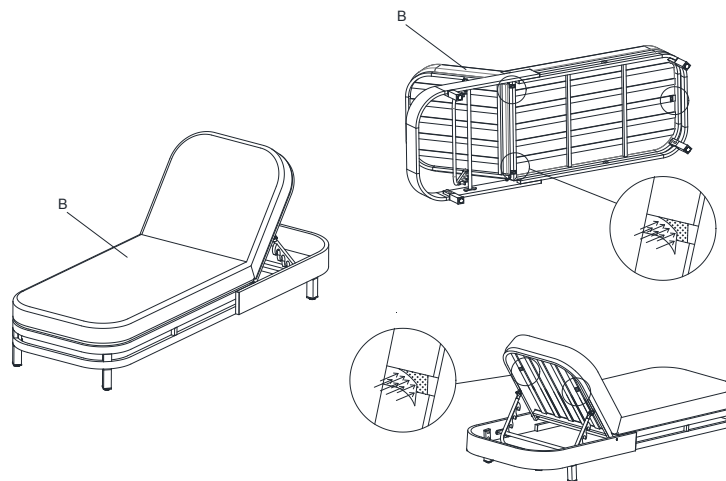
Open the carton, and place all parts onto a clean, non-marring surface.
Attach the Leg (C) to Bed Panel (A) using Bolts (4) and Washers (2) with Allen Wrench (1) as shown above.
Attach the Support Bar (D) to Bed Panel (A) using Bolts (3) and Washers (2) with Allen Wrench (1) as shown above.
Do not fully tighten the Bolts.

Step 2



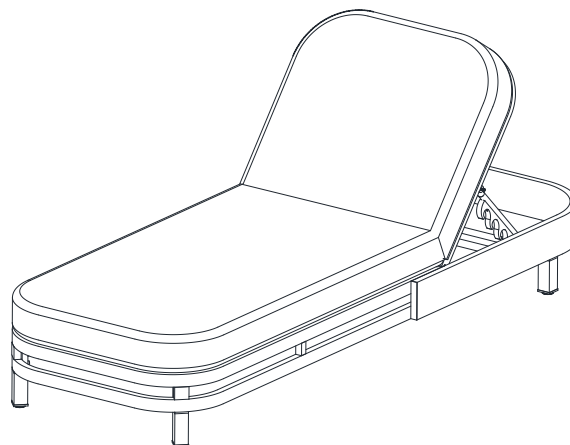
Place the Daybed on a level surface to check for wobbles.
Adjust the Leveler to ensure Daybed stability.
When the Daybed is level, proceed to tighten all bolts at all joints.

Step 3



Put the cushion (B) on the daybed.
Using velcro to secure the seat cushion as shown above.

Step 4



The Daybed is ready for use.
The Daybed can only be used on a flat, level surface.