

ASSEMBLY INSTRUCTION

BUNKBED

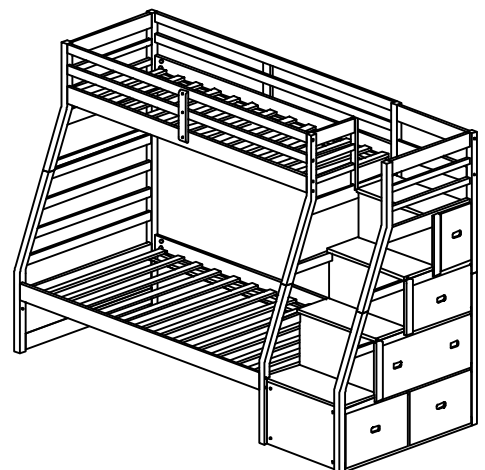
Thank you for purchasing this quality product. Be sure to check all packing material carefully for small parts which may have come loose inside the carton during shipment. Separate, identify and count all parts and metal hardware. Compare with parts list to be sure all parts are present. If any part(s) are missing or damaged, please contact your local furniture dealer. For efficient and speedy service, please indicate the model number and code letter of part(s) needed.

COMPONENT PARTS:

DESCRIPTION	PART NAME	Q'TY (PCS)
1	LOWER HEADBOARD	1
2	UPPER HEADBOARD	1
3	RE-INFORCEMENT FOR DRW SIDE BAR	1
4	LOWER MID-HEADBOARD	1
5	UPPER MID-HEADBOARD	1
6	MALE GUIDE	5
7	BACK BAR	2
8	STEP PANEL 1	1
9	STEP PANEL 2	1
10	STEP PANEL 3	1
11	STEP PANEL 4	1
12	STEP PANEL 5	1
13	STEP PANEL 6	1
14	STEP PANEL 7	1
15	STEP PANEL 8	1
16	SIDE PANEL 1	1
17	SIDE PANEL 2	1
18	SIDE PANEL 3	1
19	GUARD RAIL RE-INFORCEMENT BAR	2
20	BACK PANEL	1
21A/ 21B/ 21C/ 21D	FRONT DRW PANEL	5 X 1
22A/ 22B/ 22C/ 22D	BACK DRW PANEL	5 X 1
23	SIDE DRW PANEL	10 X 1
24A/ 24B/ 24C/ 24D	BOTTOM DRW PANEL	5 X 1
25	FEMALE GUIDE	5
26	LOWER FOOTBOARD	1
27	SIDE RAIL	4
28	UPPER FOOTBOARD	1
29	GUARD RAIL	4
30	SLAT	14 x 2Sets

HARDWARES REQUIRED

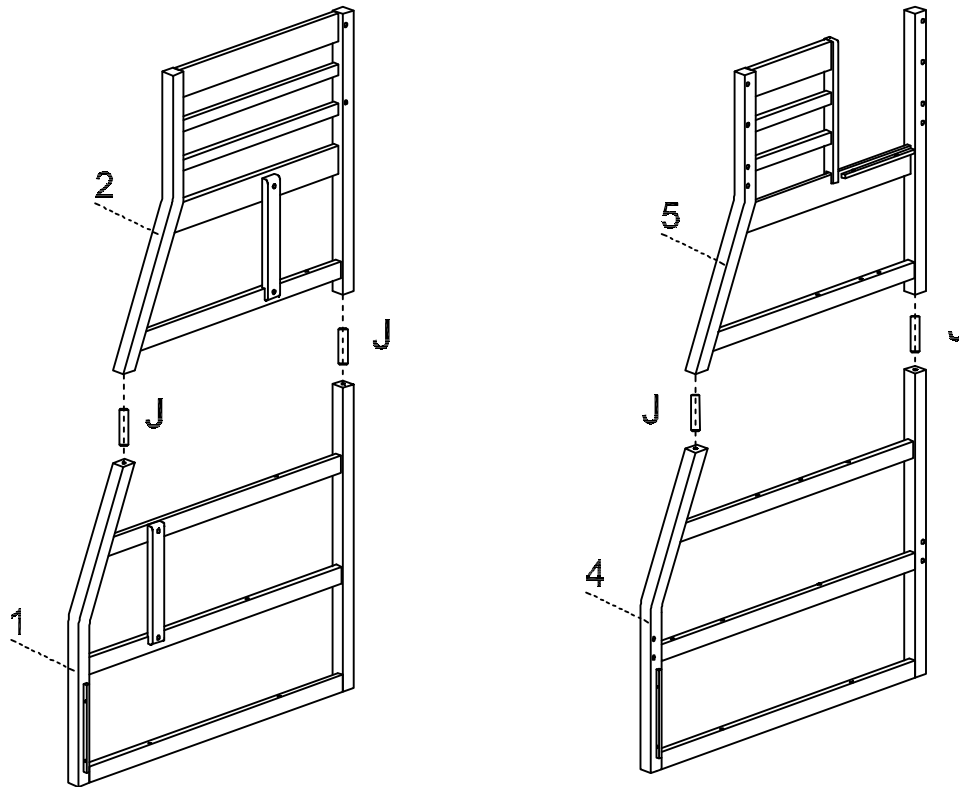
- A  LONG BOLT 6.3X80mm – 20 PCS
- B  HALF ROUND NUT – 20 PCS
- C  SCREW BOLT 7X80mm – 8 PCS
- D  WOOD DOWEL 10X40mm – 24 PCS
- E  SHORT SCREW 4X25mm – 24 PCS
- F  LONG SCREW 4X30mm – 124 PCS
- G  SHORT BOLT 6.3X35mm – 36 PCS
- H  ALLEN KEY X 1 PC
- J  METAL DOWEL 10X90mm – 6 PCS



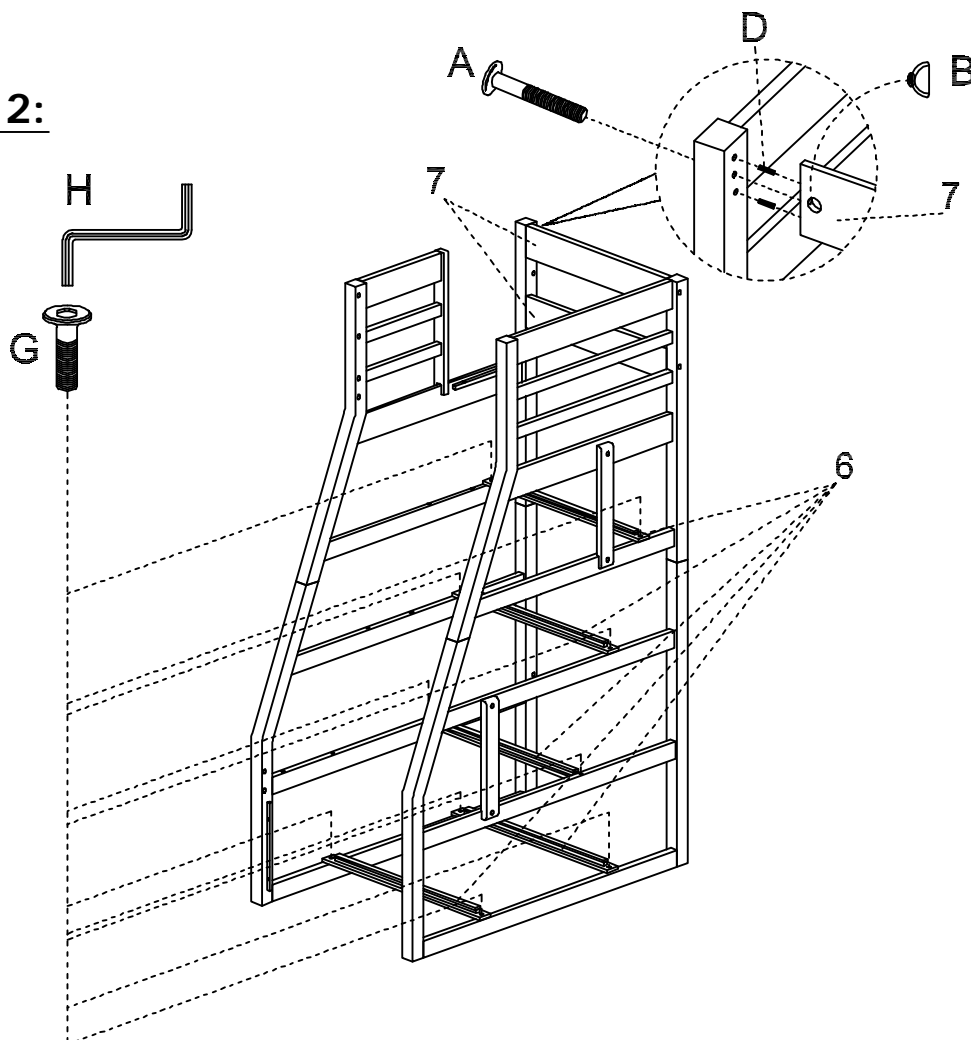
ASSEMBLY INSTRUCTION

BUNKBED

Step 1:



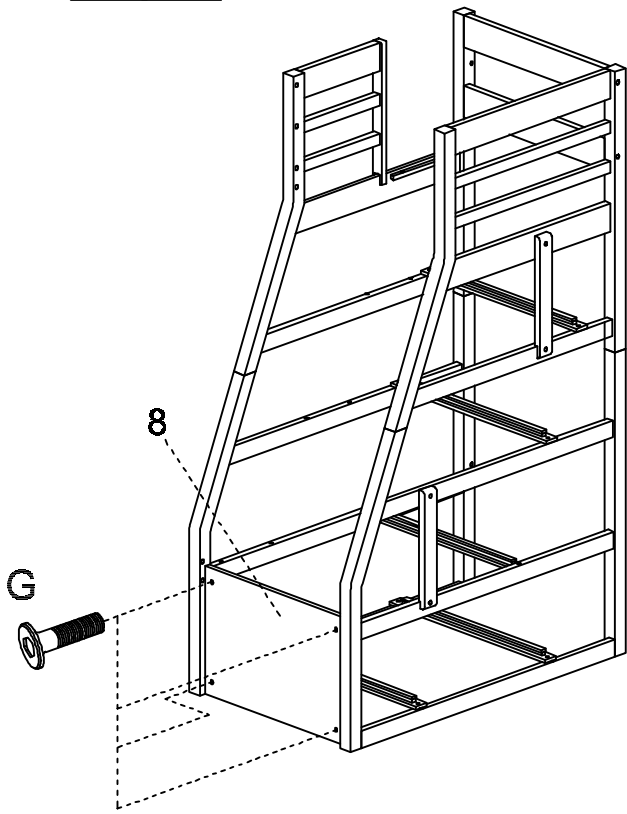
Step 2:



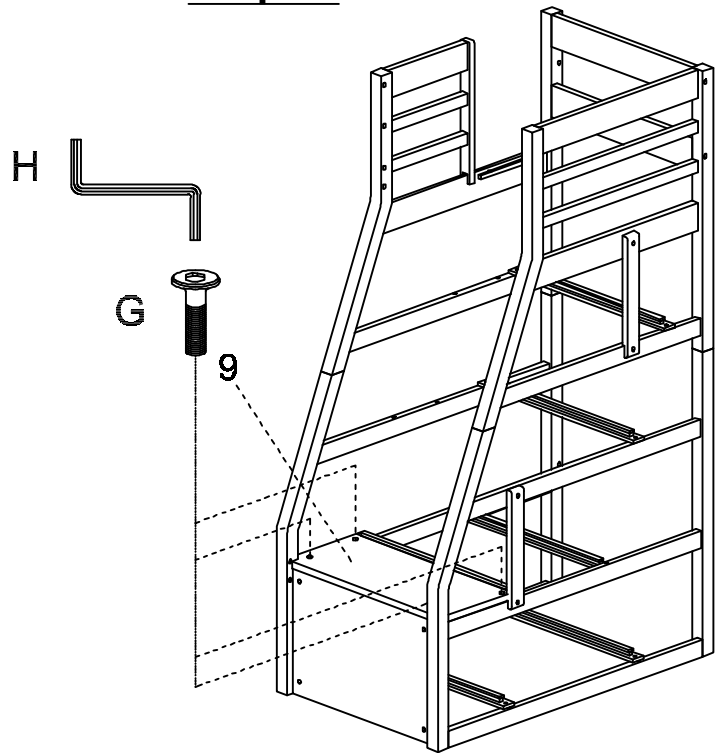
ASSEMBLY INSTRUCTION

BUNKBED

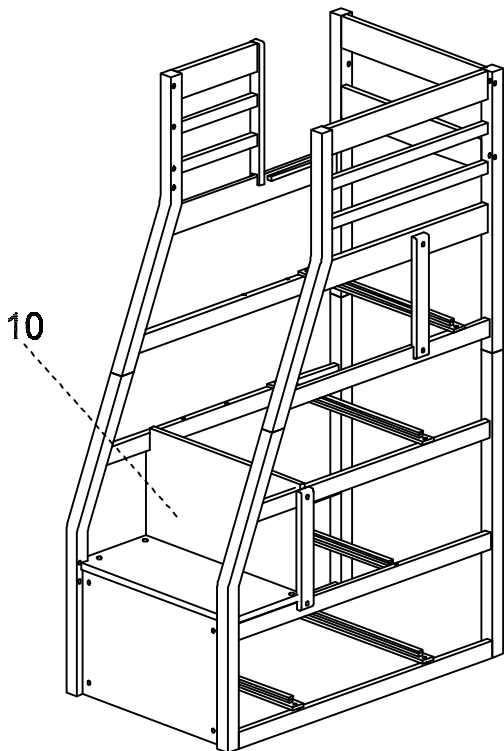
Step 3:



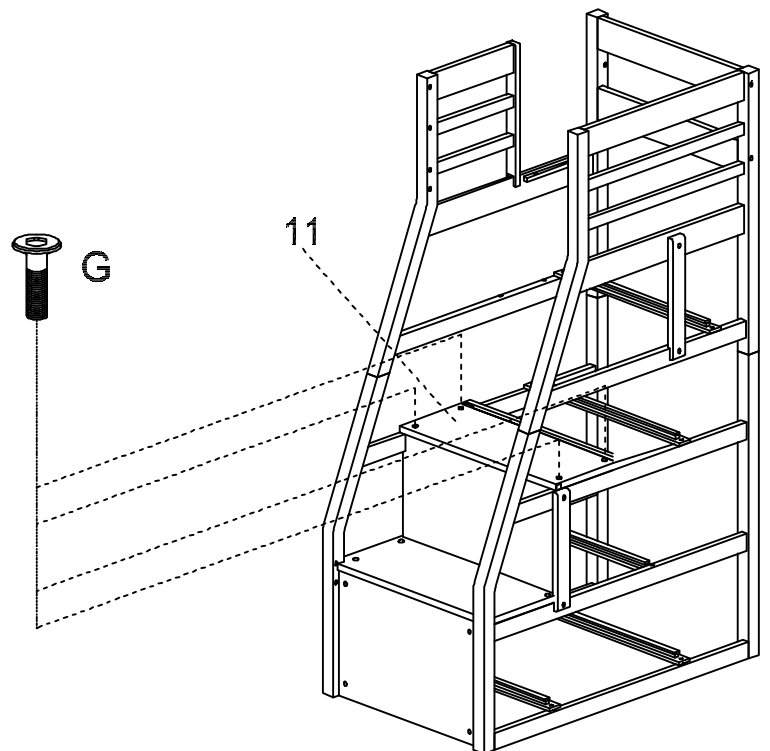
Step 4:



Step 5:



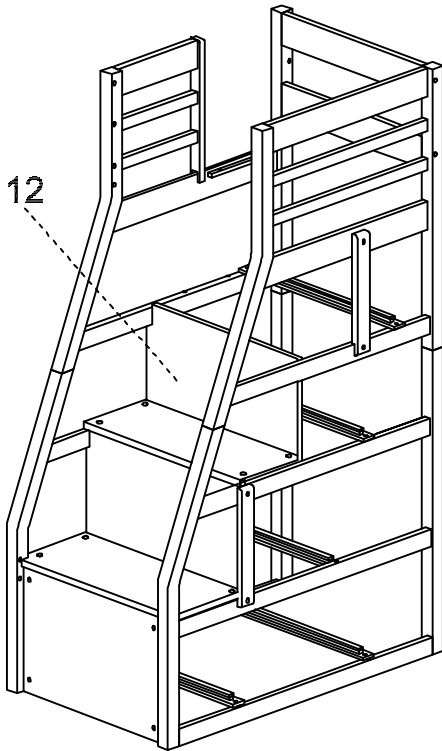
Step 6:



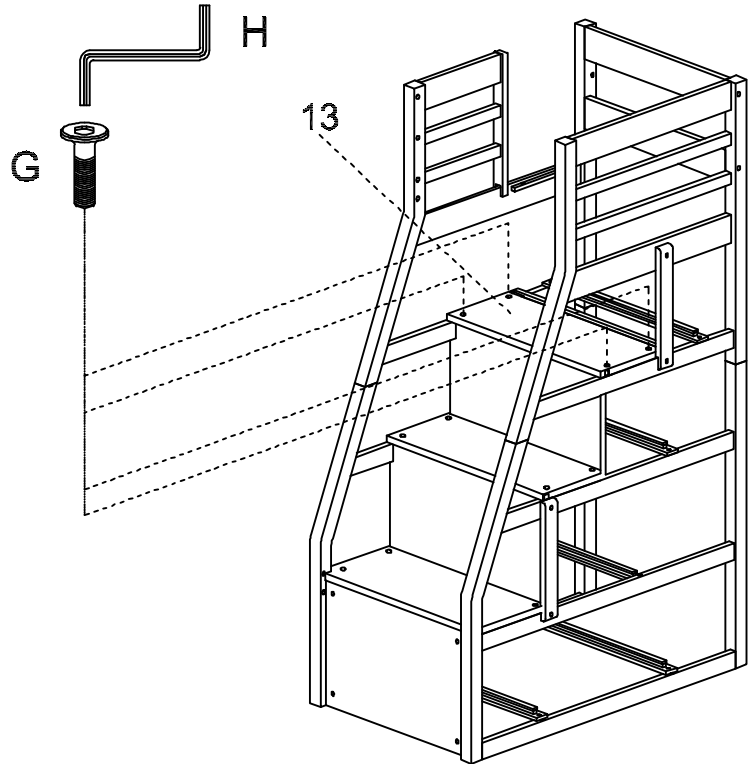
ASSEMBLY INSTRUCTION

BUNKBED

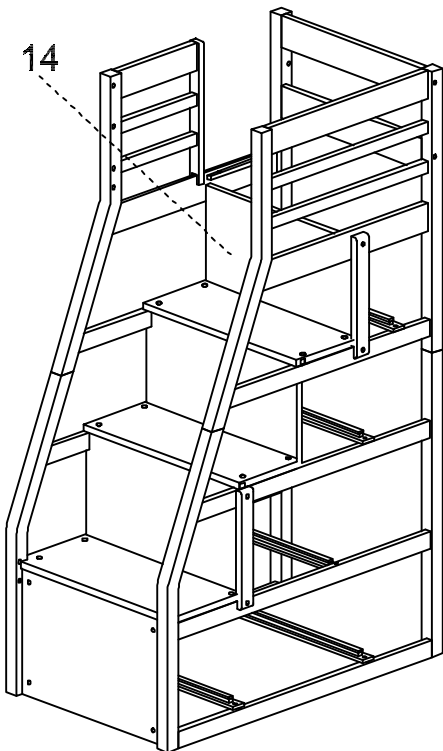
Step 7:



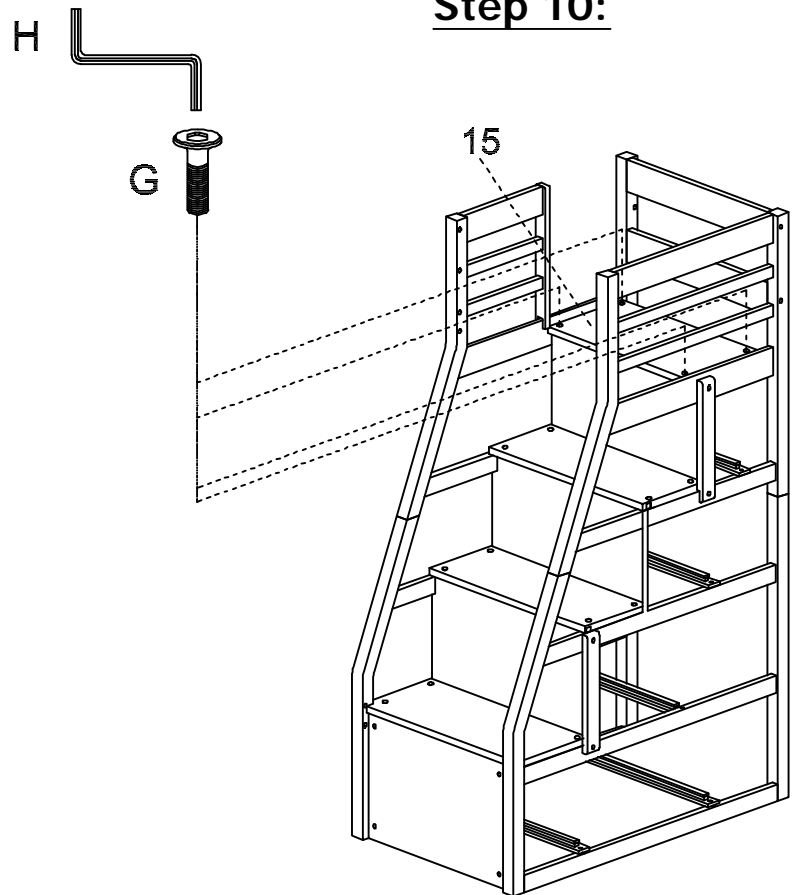
Step 8:



Step 9:

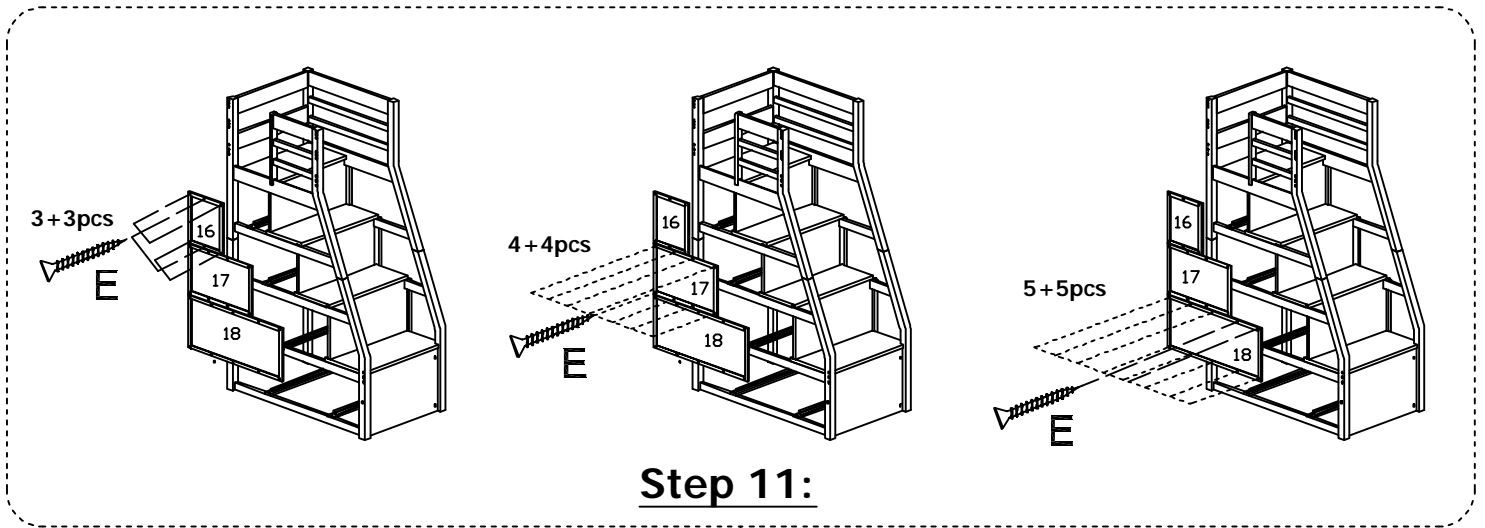


Step 10:

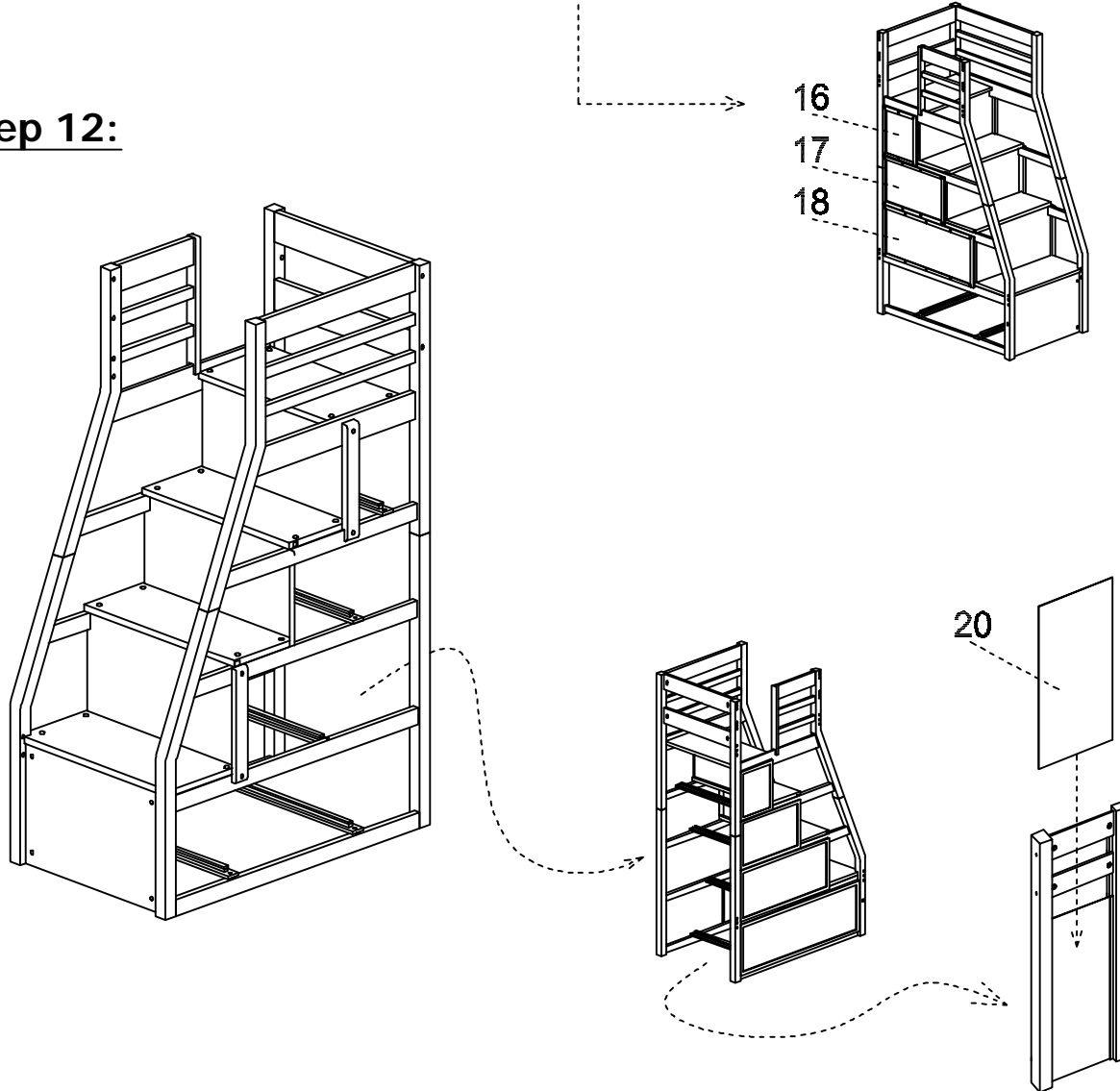


ASSEMBLY INSTRUCTION

BUNKBED



Step 12:

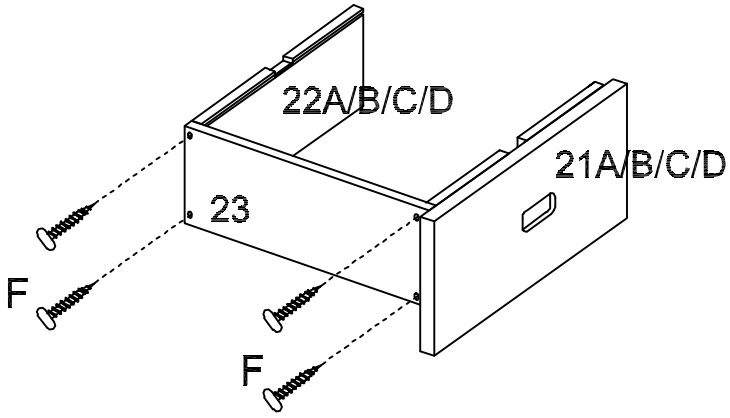


ASSEMBLY INSTRUCTION

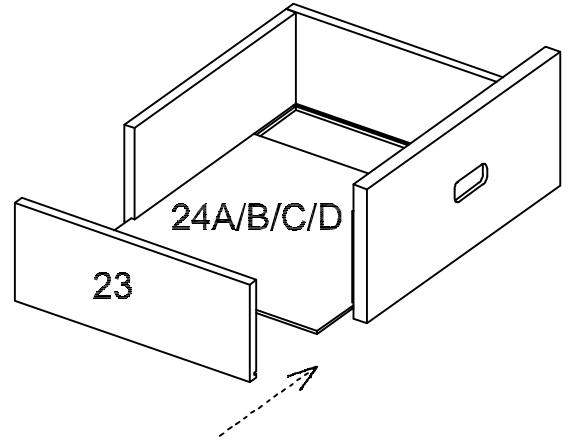
BUNKBED

Step 15 To assemble the drawers

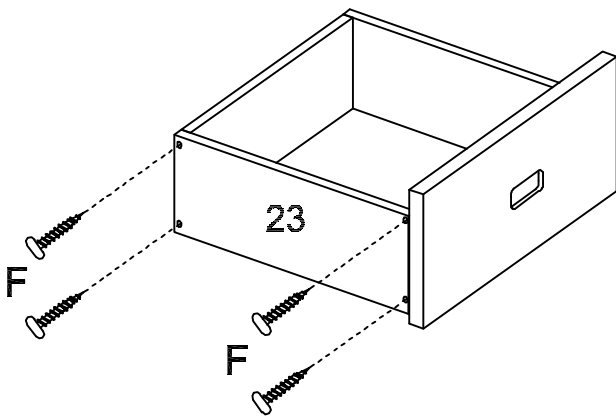
Step 13-1:



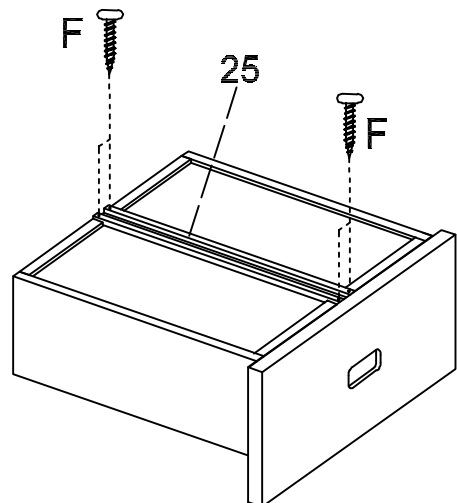
Step 13-2:



Step 13-3:



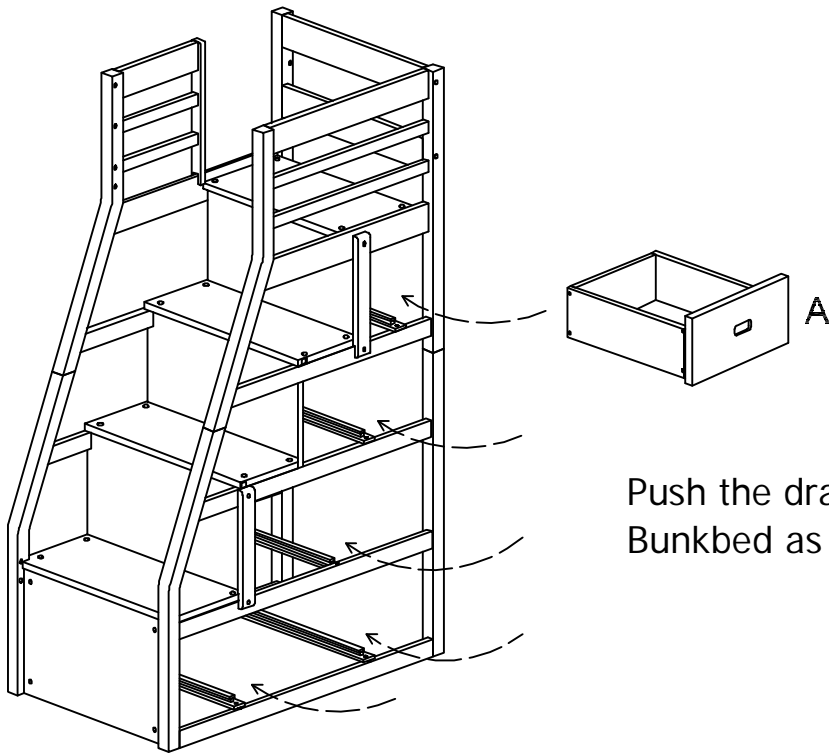
Step 13-4:



ASSEMBLY INSTRUCTION

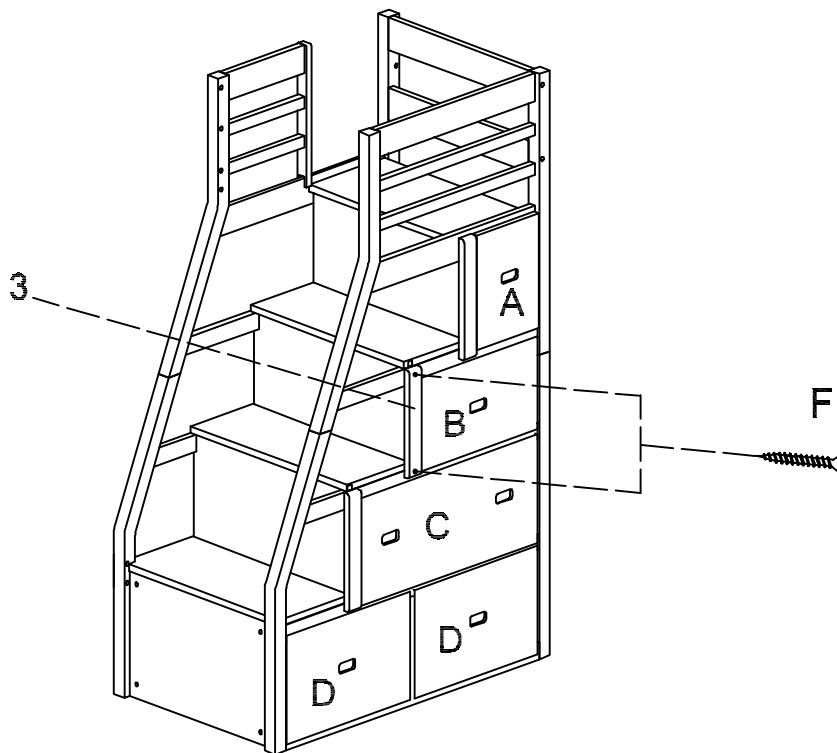
BUNKBED

Step 1



Push the drawers into its position of Bunkbed as shown

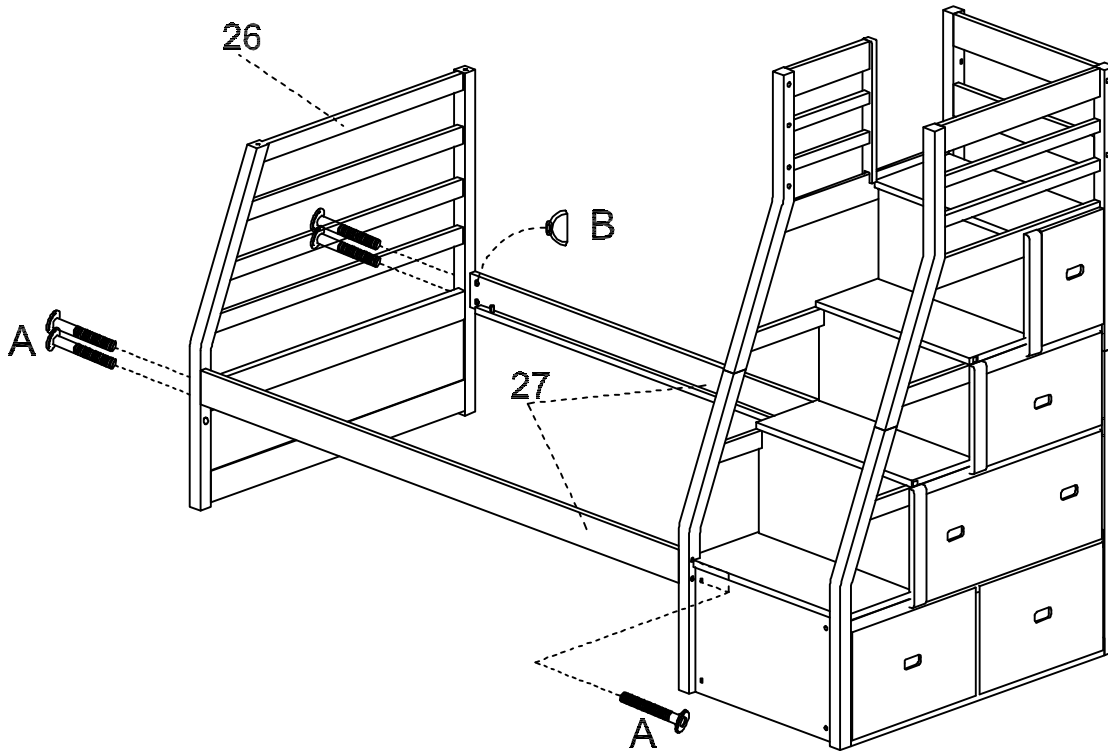
Step 15:



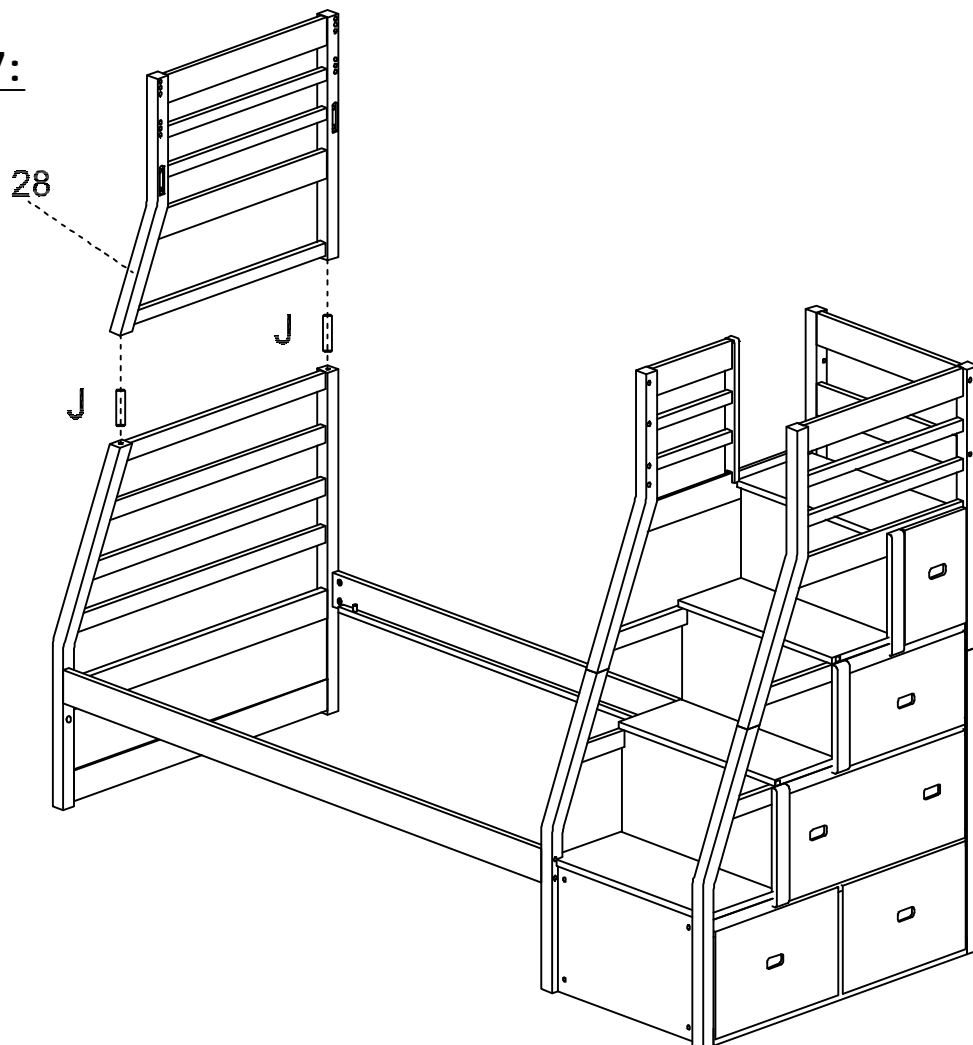
ASSEMBLY INSTRUCTION

BUNKBED

Step 16:



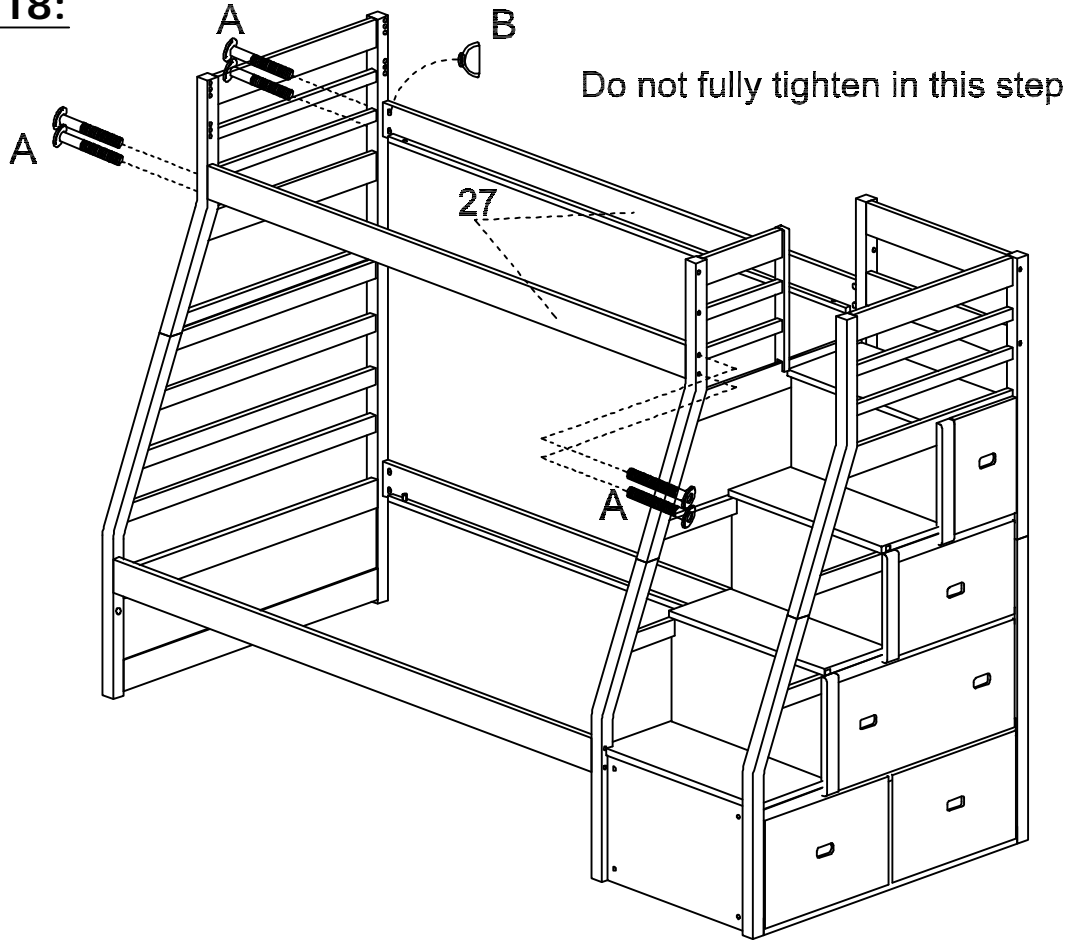
Step 17:



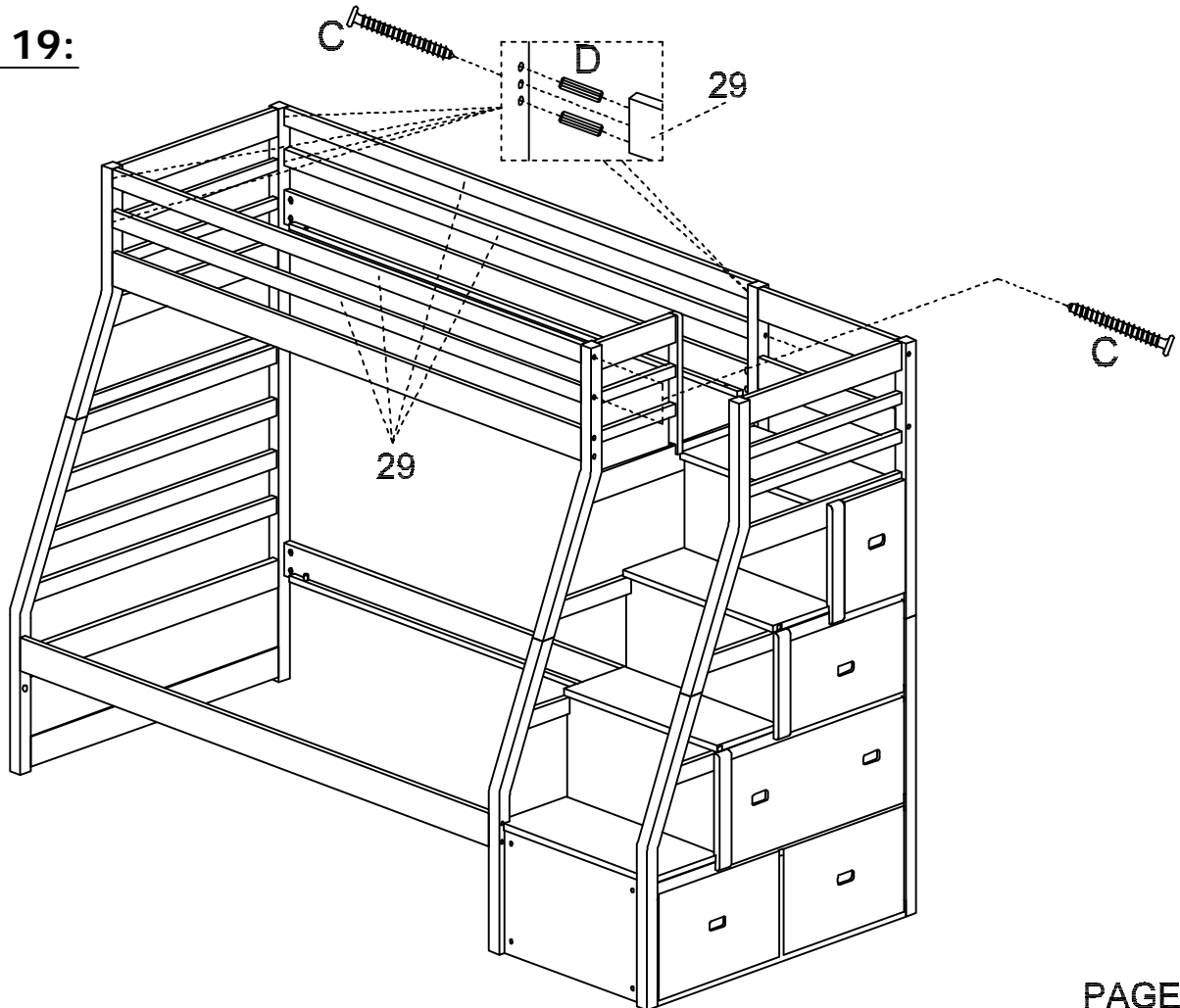
ASSEMBLY INSTRUCTION

BUNKBED

Step 18:

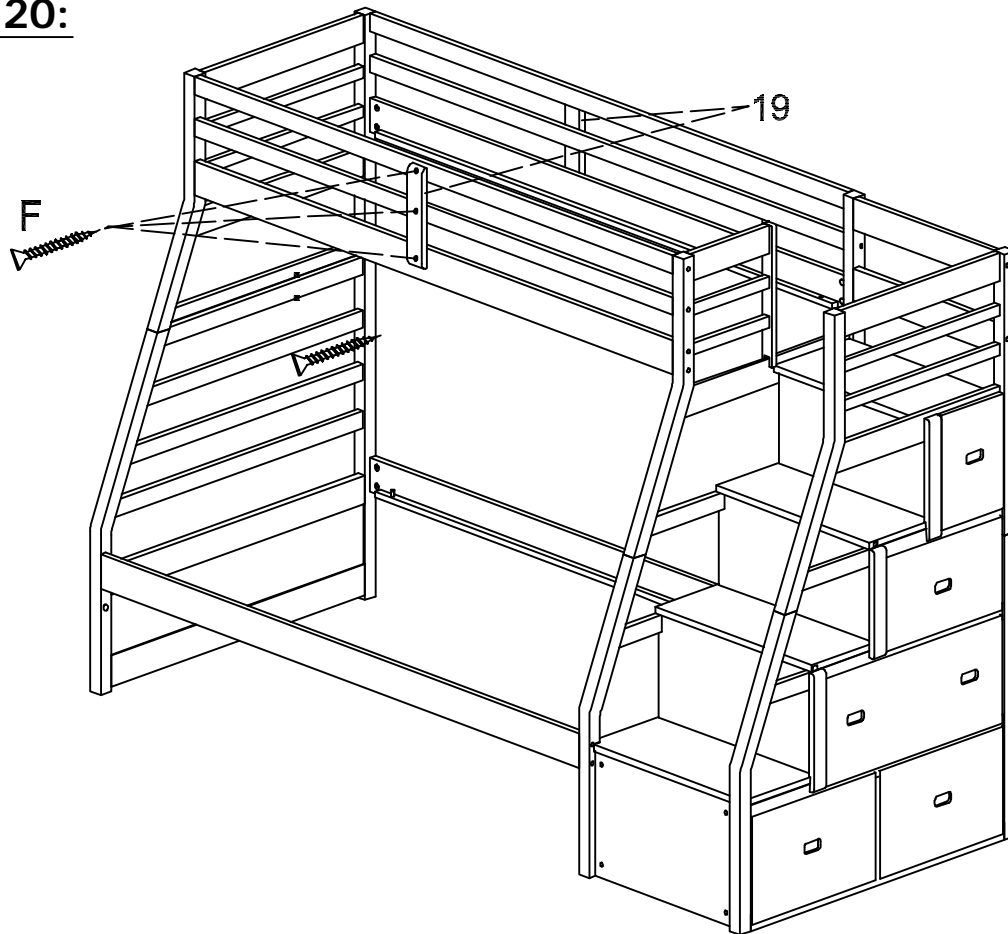


Step 19:

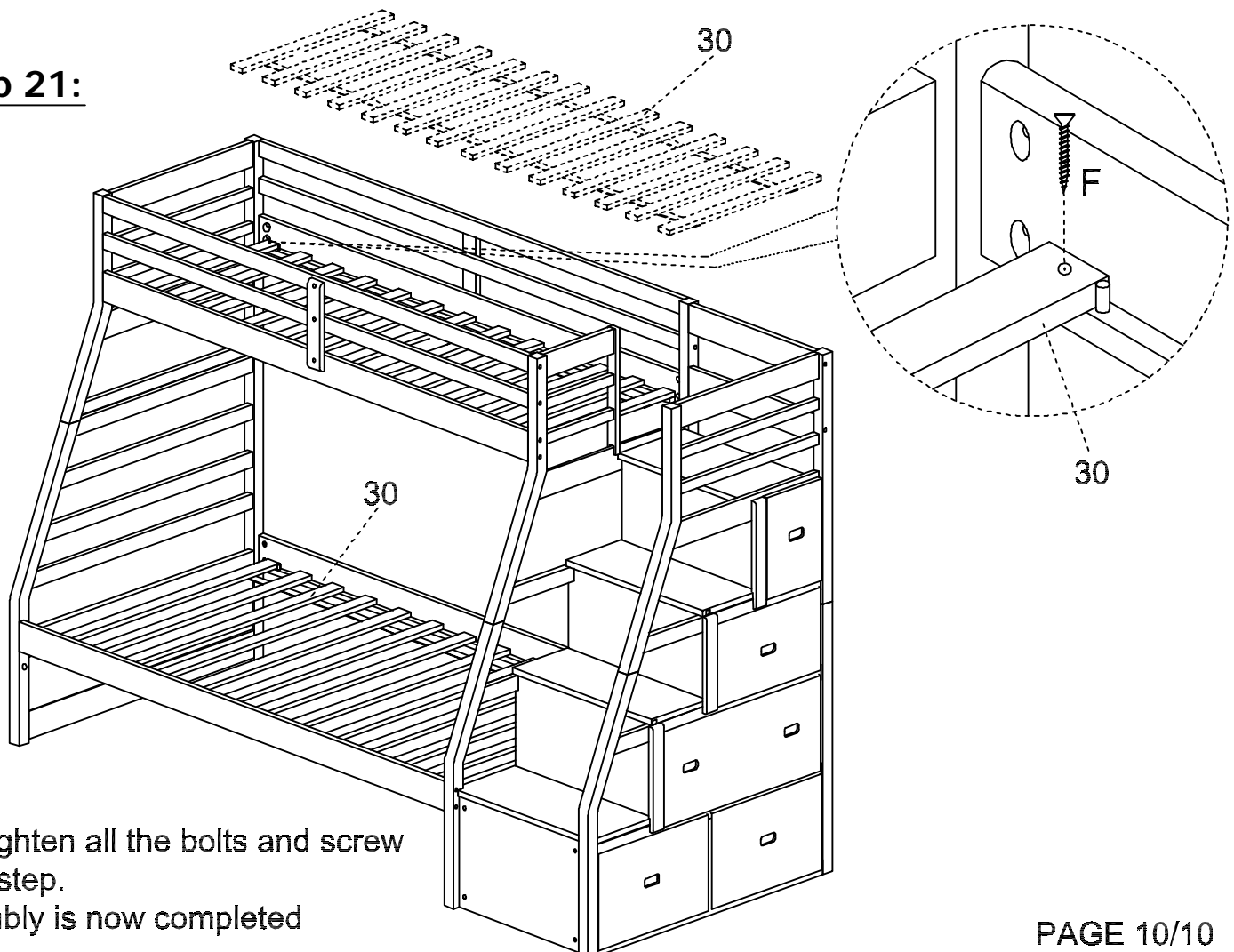


ASSEMBLY INSTRUCTION BUNKBED

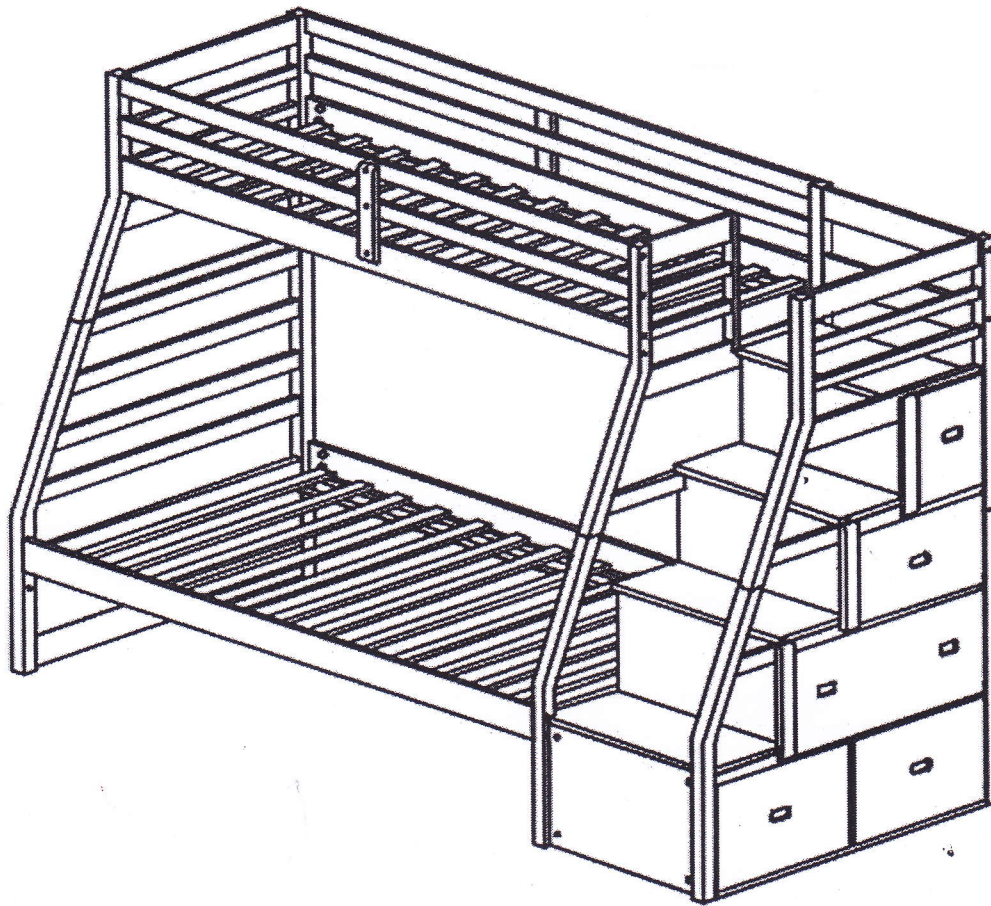
Step 20:



Step 21:



Fully tighten all the bolts and screw
in this step.
Assembly is now completed



WARNING !!!

To help prevent serious or fatal injuries from entrapment or falls:

1. Follow the information on the warning label appearing on the upper bunk end structure and on the carton. Do not remove warning label from bed.
2. Always use the recommended size mattress or mattress support, or both, to help prevent the likelihood of entrapment or falls. Use only a mattress which is 75" long and 39" wide for twin size, which is 75" long and 54" wide for full size.
3. Ensure thickness of upper mattress does not exceed 6" and top surface of mattress is at least 5" below the upper edge of guardrails.
4. Do not allow children under 6 years to use the upper bunk.
5. Periodically check and ensure that the guardrail, ladder, and other components are in their proper position, free from damage, and that all connectors are tight.
6. Do not allow horseplay on or under the bed and prohibit jumping on the bed.
7. Always use ladder for entering and leaving upper bunk.
8. Do not use substitute parts. Contact the manufacturer or dealer for replacement parts.
9. Use of a night-light may provide added safety precaution for a child using the upper bunk.
10. Always use guardrails on both long sides of the upper bunk. If the bunk bed will be placed next to a wall, the guardrail that runs the full length of the bed should be placed against the wall to prevent entrapment between the bed and the wall.
11. The use of water or sleep flotation mattresses is prohibited.

STRANGULATION HAZARD:

12. Never attach or hang items to any part of the bunk bed that are not designed for use with the bed, for example, but not limited to, hooks, belts and jump ropes.
13. Prohibit more than one person on upper bunk.
14. Maximum total weight not to exceed 150 lbs on the upper bunk, and maximum 200 lbs on lower bunk.
15. Keep these instructions for future reference.