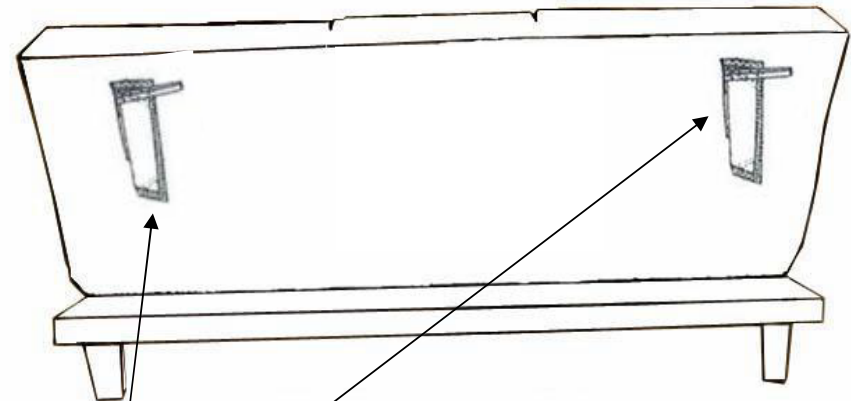
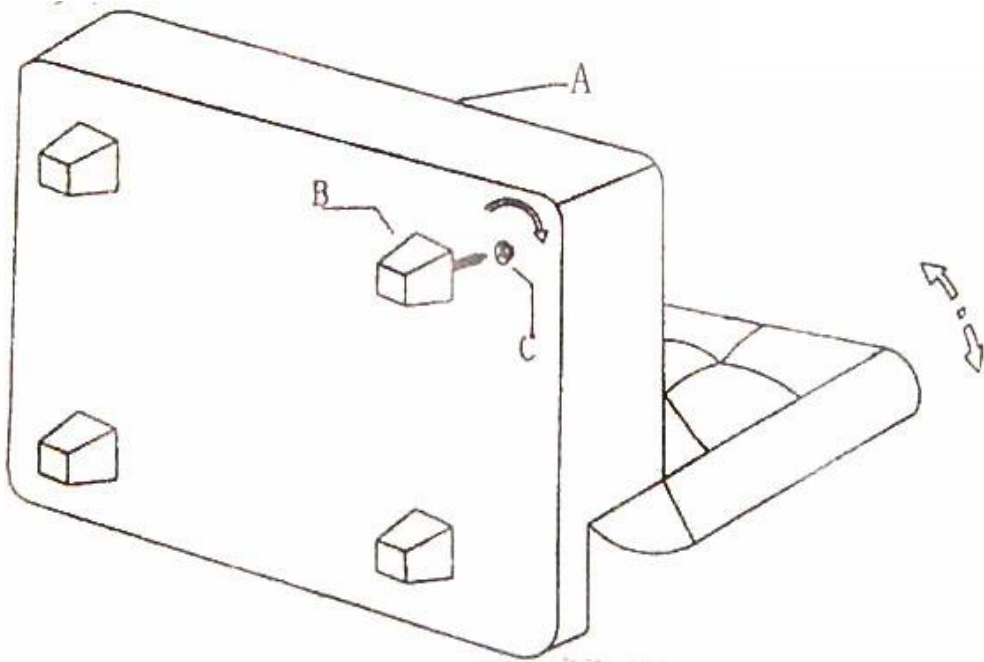
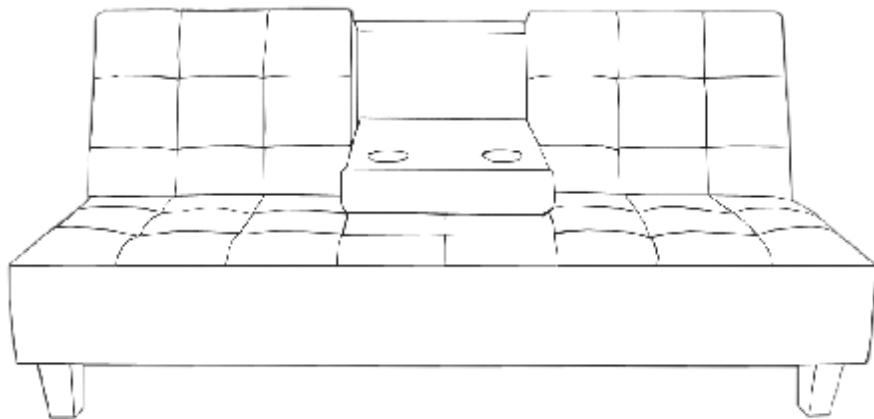




ASSEMBLBY INSTRUCTIONS



Please open the support leg when you put the sofa futon being bed , and push the inside button to hide the support leg when you use it as sofa .



PARTSLIST			
A	SOFA BED		1PC
B	LEG		4PCS