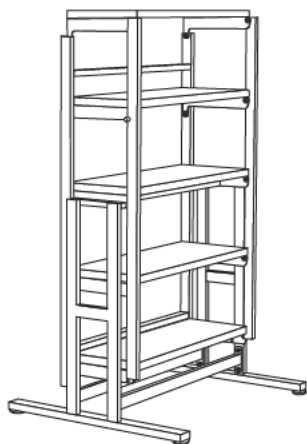
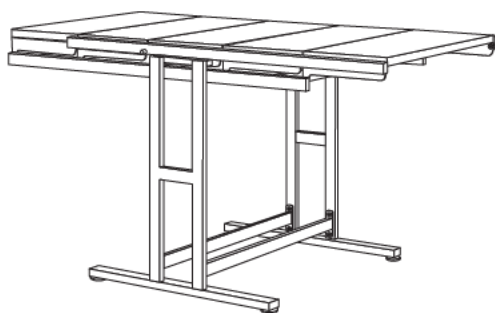


# INSTALLATION MANUAL

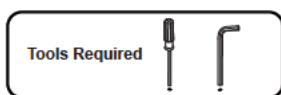
## CONVERTIBLE SHELF TABLE



Shelf



Table



updated on 05/04/2023

## **SUMMARY**

**INTRODUCTION** page 3

**TIPS AND WARNINGS** page 4

**PARTS LIST** page 5

**INSTALLATION STEPS** page 6

# INTRODUCTION

## **IMPORTANT - KEEP FOR FUTURE REFERENCE: READ CAREFULLY**

Thank you for purchasing this product.

Before using the product, please read this manual carefully and then assemble it.

To avoid any injury or damage to the product, please read the advice and appropriate safety rules.

- Product to be installed in a dry, flat place indoor.
- Assembly & movement: minimum 2 adults - heavy and fragile product.
- Make sure all screws in the part list included in the hardware package before assembly.
- Any missing parts, please contact us within 48 hours after receiving the goods.

## **ATTENTION**

This product is for household use only! And not for commercial use.

Do not use this product for any other over expected purpose.To any commercial use, public or institutional,disclaims all liability and cancels all guarantees.

### **TIPS AND WARNINGS:**

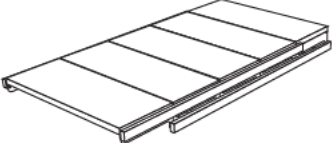
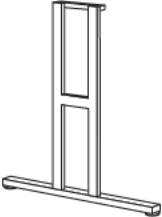



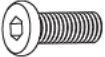

- Do not lean on or walk / climb on the shelf table
- Do not place too heavy objects that could deform the structure or deposit a liquid likely to damage the table
- Beware of the risks of shearing and pinching during installation
- Place firmly on flat ground.

#### **Maintenance :**

Cleaning with a dry cloth.

## PART LIST

Illustration picture for reference only

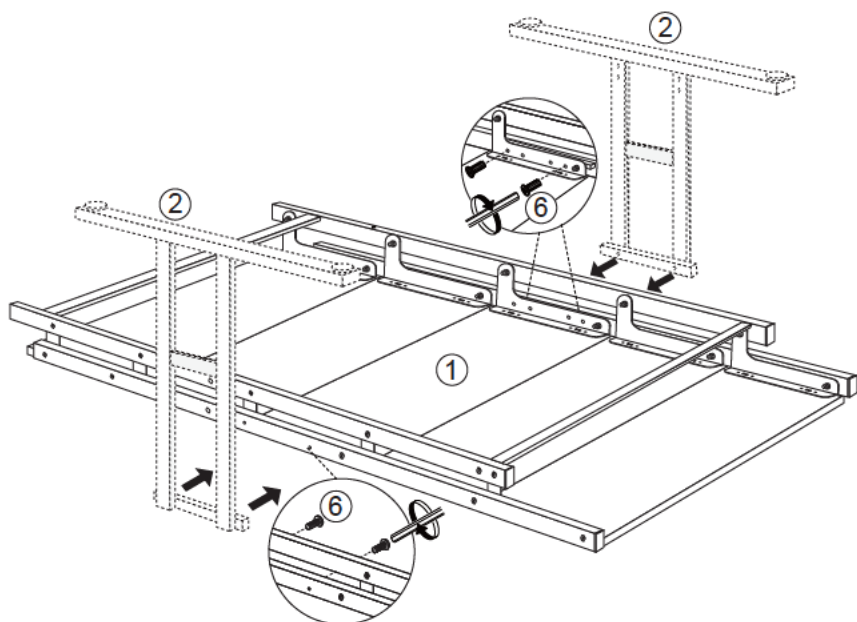
NO.	DESCRIPTION	QTY	ILLUSTRATION
①	The main structure	1	
②	Structure leg	2	
③	Long crossbar	2	
④	Short crossbar	1	
⑤	Latch ( Fixed wedge with spring )	3	
⑥	Screw	16	
⑦	Gasket (for necessary adjustment)	2	

## ASSEMBLY

The images are provided for your reference only. Your product may have some differences depending on the size or colour of your table.

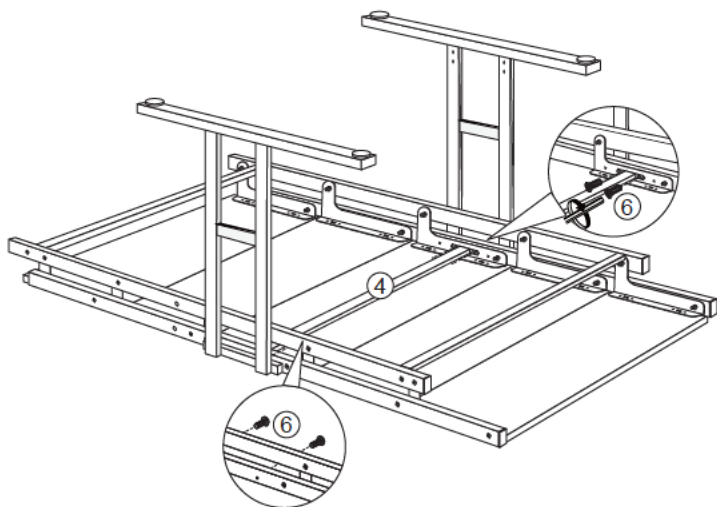
### STEP 1

Install the legs (②) on the main structure, then fix them with 4 screws (⑥) according to the diagram below.



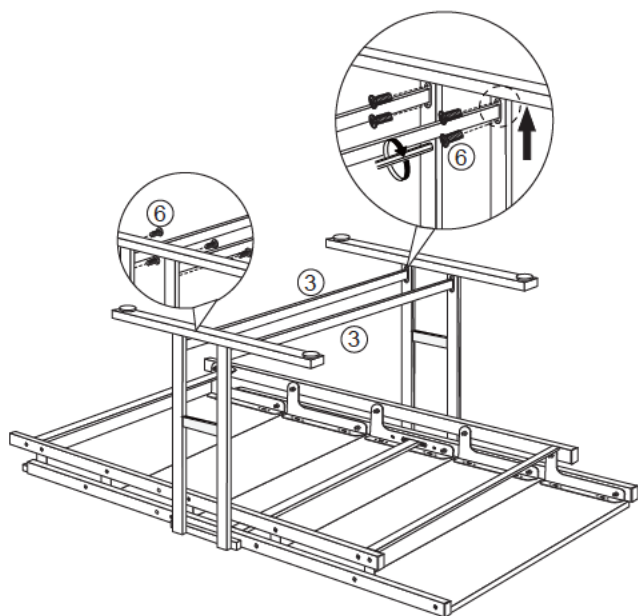
## STEP 2

Place the short crossbar (④), as shown below, and secure with 4 screws (⑥):



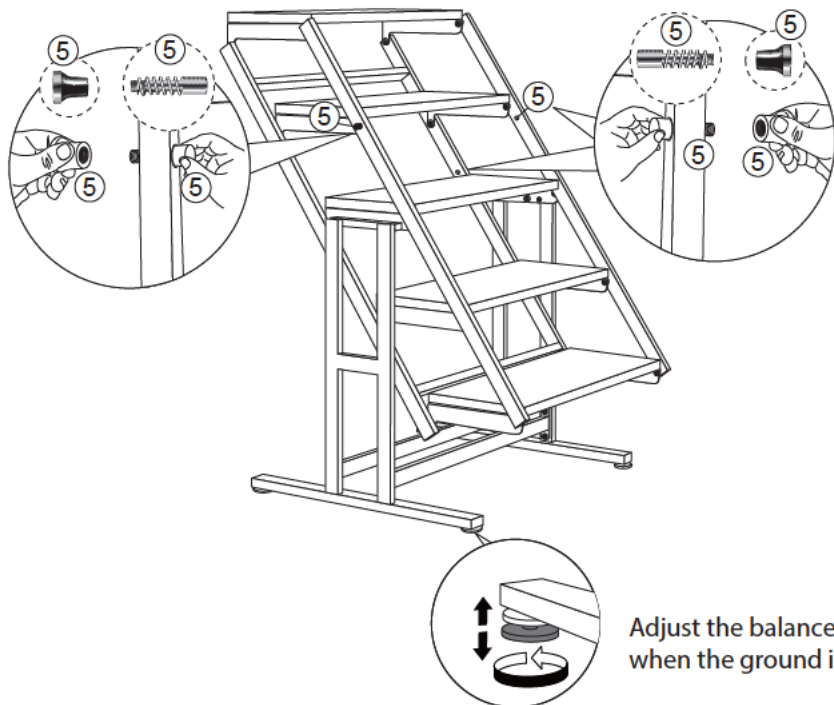
## STEP 3

Place the two long crossbars (③), between the legs of the structure with 8 screws (⑥):



## STEP 4

Place latches (5) on the side of the shelf as showed below:



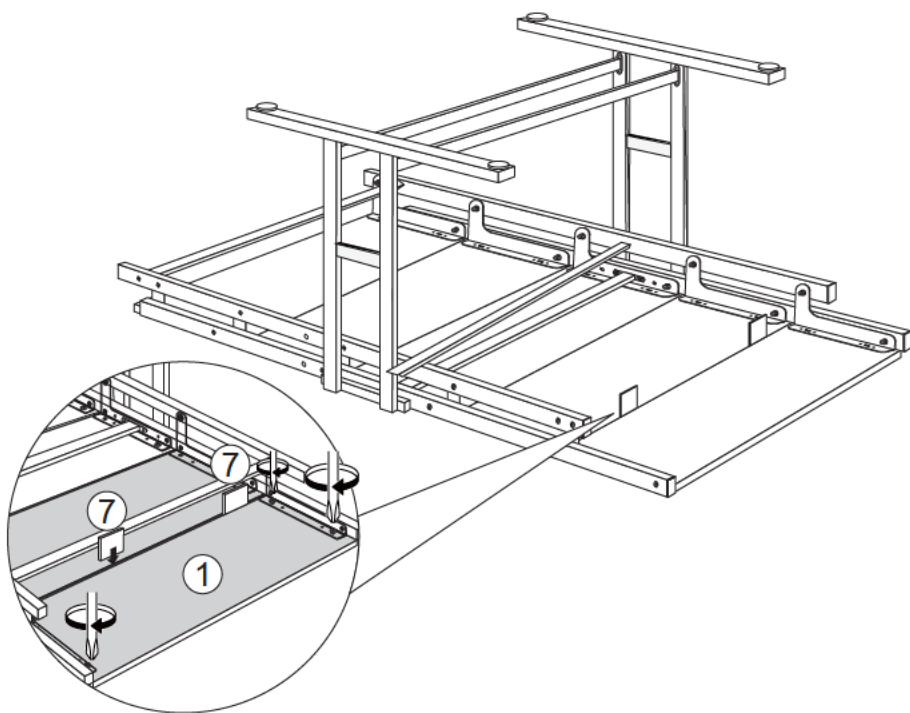
To switch from shelf mode to table mode:

Warning ! This step must be performed by two adults. Risk of pinching

- Simultaneously pull the latches (5) on the side of the table.
- Switch from shelf to table.
- Lock the latches for security.

## STEP 5

If the boards are not flat, or the gap between the boards are too large, use the gasket (7) to insert between the panels to adjust (see diagrams below):



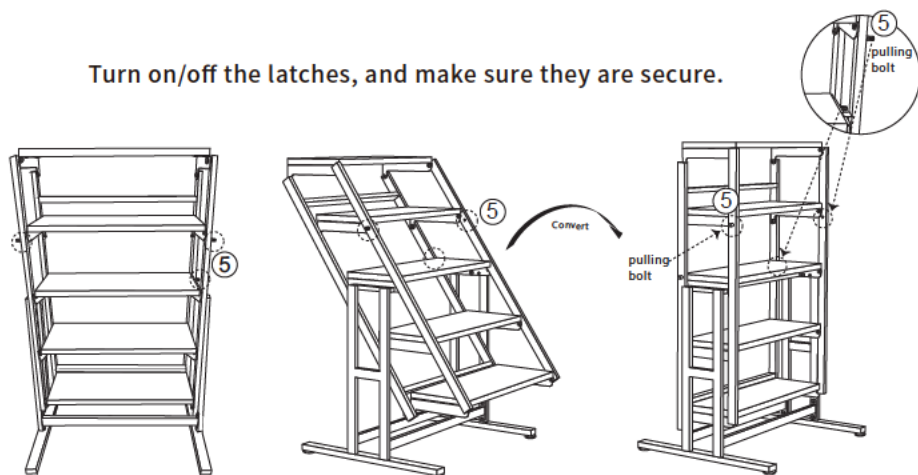
### Maintenance :

If the panel is not flat or the gap is inconsistent, you can use the gasket (7) to insert gap between the panels to adjust.

 **ATTENTION** 

- Make sure the latches are securely fastened to avoid pinching or accidents.
- Do not use irritating or corrosive cleaners.
- Do not place too heavy objects that could deform the structure or deposit a liquid likely to damage the table

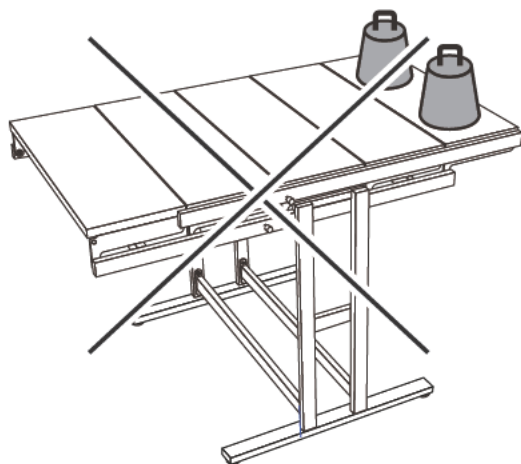
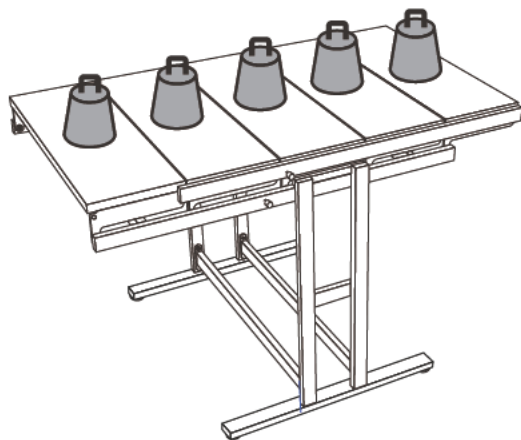
Turn on/off the latches, and make sure they are secure.





When using the table, please keep the weight balance of the table top.

Max: 30KG



#### **Maintenances:**

1. Do not use irritating or corrosive cleaners.
2. Please make sure the shelf bolts are fixed to avoid pinching or accident.
3. When used or converted must be done by adults, do not let the child close to avoid pinching or accident.