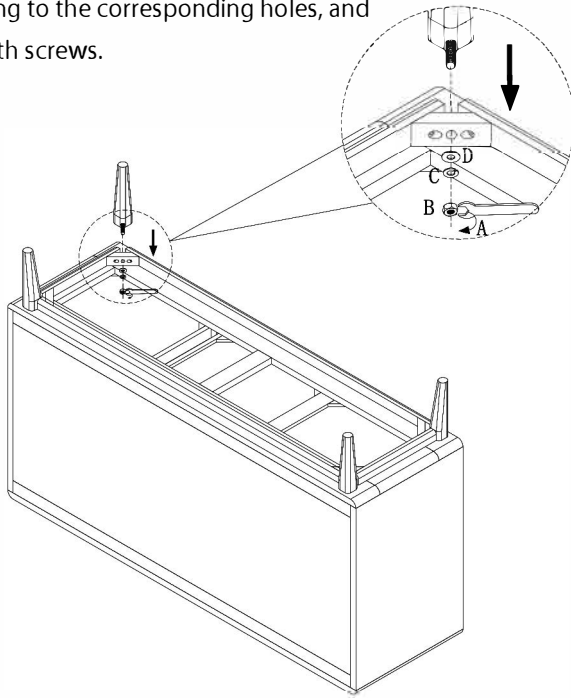


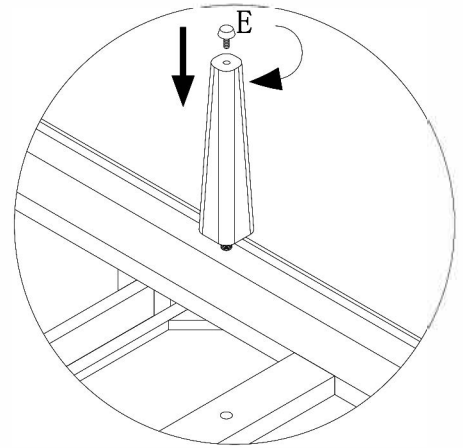
Installation Instructions

組立順序：

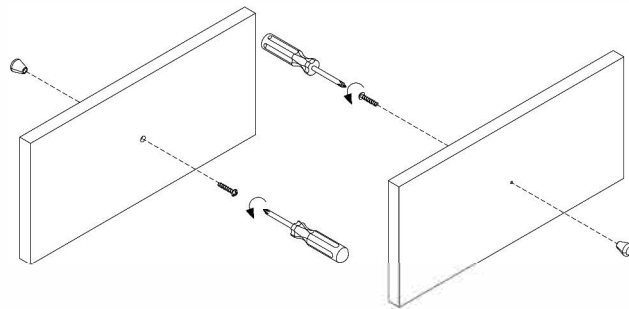
1. Put the product upside down or sideways, install the legs according to the corresponding holes, and tighten them with screws.

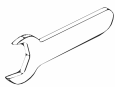



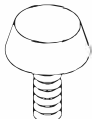


Tighten the center support leg according to the direction of the pointer.



2. Unscrew the screws of the drawer door, put the pull fastener inside the door and retighten it.



				
A. Wrench =1	B. Nut M8=4	C. Spring Pads $\phi 8*12=4$	D. Flat Mat $\phi 8*14=4$	E. Booster Foot M6*15=1